



**2009-2011
Precedent
Illustrated Parts List**



Gasoline and Electric Vehicles

Manual Number 103472601
Edition Code 0508K1110J

USING THE ILLUSTRATED PARTS LIST

⚠ WARNING

- **This manual is to be used only for identification and ordering of service parts. Be sure to read and use the maintenance and service manual before attempting any vehicle repairs.**

This manual covers all 2009-2011 Club Car Precedent vehicles.

The manual is divided into sections. Note that there are two or three flags on the outside edge of each page. The first flag contains the section number of which that page is a part. The other flag (or flags) contains the letter D, E, or G, signifying that the page pertains to diesel, electric, or gasoline vehicles.

Use the Table of Contents to find the sections and pages that contain the parts and assemblies you seek. The Table of Contents lists section numbers, and under them, the individual page titles and numbers to be found in that section. The index can be used to find specific parts and assemblies. The index is divided into numerical and alphabetical listings with the page numbers in italic text.

There is a two-page spread for each individual page title in the Table of Contents. On the left-hand page is an illustration showing the parts in their relative positions; the parts are each tagged with an item number in a balloon. The right-hand page is the parts list page, and gives the page title at the top, then the item numbers (corresponding to the numbers on the illustration), part descriptions, and quantity of parts used. Some item numbers have more than one part number because several configurations of a component are represented together on one spread.

Note that a part description may be indented. This indentation corresponds to a parts assembly level indicated by the numbers 1, 2, 3, and 4 at the top left corner of the parts description area of the parts list page. A part that is indented to *level 2* is a component of the *level 1* part (assembly) that it is listed under. A *level 3* part is a component of the *level 2* part that it is listed under, and a *level 4* part is a component of the *level 3* part preceding it. In each case, the part quantity given for a level 2, 3, or 4 part is the quantity used per next higher level assembly of which it is a component. A part that is not indented is a *level 1* part. This means that the quantity given is the quantity used per the portion of the vehicle illustrated on that particular spread.

HOW TO ORDER PARTS

Replacement parts and accessories can be obtained from our network of authorized dealers and distributors. You can obtain the name and phone number of your closest authorized Club Car dealer or distributor by visiting our web site at www.clubcar.com and clicking on the "Distributor Search" link or by calling our toll-free Service Parts and Technical Assistance hotline at (800) 872-2246 or (706) 863-3000, extension 3887.



P. O. Box 204658
Augusta, Georgia 30917-4658 USA
Telephone 706-863-3000
Service Parts Fax 706-855-7413
www.clubcar.com

NOTE: *This illustrated parts list represents the most current information at the time of publication. Club Car, LLC. is continually working to further improve its vehicles and other products. These improvements may affect the parts used to service the vehicle. Any modification and/or significant change in specifications will be forwarded to all Club Car and Carryall distributors/dealers and will, when applicable, appear in future editions of this illustrated parts list.*

Club Car, LLC. reserves the right to change specifications and designs at any time without notice and without the obligation of making changes to units previously sold.

Copyright © 2010 Club Car, LLC
Club Car, Precedent, and Surllyn
are registered trademarks of Club Car, LLC
This manual effective August 1, 2010.

2009-2011 Precedent Illustrated Parts List

CONTENTS

SECTION 1 – BODY AND TRIM

| | |
|---|------|
| Front Bumper | 1-3 |
| Front Body | 1-5 |
| Dash | 1-7 |
| Kick Plate – Gasoline Vehicle | 1-9 |
| Kick Plate – Electric Vehicle | 1-11 |
| Seat with Hip Restraints | 1-13 |
| Backrest and Structural Accessory Module (SAM) | 1-15 |
| Rear Body | 1-17 |
| Underbody Covers (Vehicle Without Canopy) | 1-19 |
| Canopy – Beige | 1-21 |
| Canopy – White | 1-23 |
| Rear Seat – Precedent Villager 4 | 1-25 |
| Backrest and Structural Accessory Module (SAM) | 1-27 |
| Floor Mat, Retainer, and Front Underbody- Style B | 1-29 |
| Rear Footrest Assembly – Precedent Villager 4 | 1-31 |
| Four Passenger Conversion Kit – Beige | 1-33 |
| Four Passenger Conversion Kit – White | 1-35 |
| Four Passenger Conversion Kit – Gray | 1-37 |

SECTION 2 – WHEEL AND TIRES

| | |
|------------------------------|-----|
| Wheels and Tires – i2 | 2-3 |
| Wheels and Tires – i2L | 2-5 |

SECTION 3 – DECALS

| | |
|--|-----|
| Decals – Gasoline Vehicle | 3-3 |
| Decals – Electric Vehicle | 3-5 |
| Decals – Electric Vehicle, Continued | 3-7 |
| Decal – Precedent Villager 4 | 3-9 |

SECTION 4 – BRAKES AND PEDAL GROUP ASSEMBLIES

| | |
|--|------|
| Rear Brake Assembly, Self-Adjusting | 4-3 |
| Brake Cables | 4-5 |
| Pedal Group Connections – Gasoline Vehicle, Generation 1 | 4-7 |
| Pedal Group Connections – Gasoline Vehicle, Generation 2 | 4-9 |
| Pedal Group Connections – Electric Vehicle | 4-11 |
| Pedal Group Components – Gasoline Vehicle, Generation 1 | 4-13 |
| Pedal Group Components – Gasoline Vehicle, Generation 2 | 4-15 |

CONTENTS

| | |
|---|------|
| Pedal Group Components – Electric Vehicle | 4-17 |
|---|------|

SECTION 5 – STEERING, FRONT AND REAR SUSPENSION

| | |
|--|------|
| Steering Wheel – i2L | 5-3 |
| Steering Wheel – i2 | 5-5 |
| Steering Column | 5-7 |
| Front Suspension, Upper | 5-9 |
| Front Suspension, Lower | 5-11 |
| Rear Suspension – Gasoline Vehicle | 5-13 |
| Rear Suspension – Electric Vehicle | 5-15 |
| Rear Suspension – Precedent Villager 4 | 5-17 |
| Steering Gear Assembly | 5-19 |
| Steering Gear Assembly | 5-21 |

SECTION 6 – ELECTRICAL SYSTEM – GASOLINE VEHICLE

| | |
|--|------|
| Electrical Components, Front Body – Gasoline Vehicle | 6-3 |
| Battery – Gasoline Vehicle | 6-5 |
| Wiring – Gasoline Vehicle, Generation 1 Pedal Group | 6-9 |
| Wiring – Gasoline Vehicle, Generation 2 Pedal Group | 6-13 |
| Instrument Panel Wire Harness | 6-17 |
| Starter/Generator Assembly Model G425419 – Gasoline Vehicles | 6-19 |
| Starter/Generator Assembly Model 114-01-4005 – Gasoline Vehicles | 6-21 |
| Starter/Generator Mounting – FE350 | 6-23 |
| Starter/Generator Assembly – Gasoline Vehicles | 6-25 |

SECTION 7 – FE350 ENGINE – AS26

| | |
|--|------|
| FE350 Engine – Oil Circulation | 7-3 |
| AS26 FE350 Engine without ACR (Automatic Compression Release) – Shrouds and Brackets | 7-5 |
| AS26 FE350 Engine – Ignition Components and Flywheel | 7-7 |
| AS26 FE350 Engine – Cylinder Head | 7-9 |
| AS26 FE350 Engine – Crankcase and Crankshaft Oil Sensor | 7-11 |
| AS26 FE350 Engine – Crankcase and Crankshaft | 7-13 |
| FE350 Engine Mounting | 7-15 |

SECTION 8 – AS11 FE350 ENGINE

| | |
|--|-----|
| AS11 FE350 Engine without ACR (Automatic Compression Release) – Shrouds and Brackets | 8-3 |
| AS11 FE350 Engine – Ignition Components and Flywheel | 8-5 |
| FE350 Engine – Oil Circulation | 8-7 |

CONTENTS

| | |
|---|------|
| AS11 FE350 Engine – Cylinder Head | 8-9 |
| AS11 FE350 Engine without ACR – Crankcase, Camshaft, and Oil Sensor | 8-11 |
| AS11 FE350 Engine – Crankcase and Crankshaft | 8-13 |
| FE350 Engine Mounting | 8-15 |

SECTION 9 – FUEL, INTAKE, AND GOVERNOR SYSTEMS

| | |
|---|------|
| Fuel System | 9-3 |
| Carburetor Assembly – FE350 | 9-5 |
| Carburetor Installation – FE350 | 9-7 |
| Governor and Accelerator Cables | 9-9 |
| Choke and Air Box Assembly | 9-11 |
| Fuel System | 9-13 |
| Carburetor Assembly – FE350 S26 | 9-15 |
| Carburetor Installation – FE350 S26 | 9-17 |

SECTION 10 – EXHAUST SYSTEM

| | |
|------------------------------|------|
| Exhaust System – FE350 | 10-3 |
|------------------------------|------|

SECTION 11 – TORQUE CONVERTER

| | |
|---------------------|------|
| Drive Clutch | 11-3 |
| Drive Belt | 11-5 |
| Driven Clutch | 11-7 |

SECTION 12 – UNITIZED TRANSAXLE

| | |
|--|-------|
| Unitized Transaxle – Gear Cases and Brackets | 12-3 |
| Unitized Transaxle – F&R Transmission and Gear Reduction | 12-5 |
| Transaxle – Gasoline Vehicles, Differential and Axles | 12-7 |
| Forward/Reverse Shifter Assembly – Gasoline Vehicle | 12-9 |
| Transmission Cable | 12-11 |

SECTION 13 – ELECTRICAL SYSTEM – ELECTRIC VEHICLE

| | |
|--|-------|
| Wiring – IQ System, Generation 2 Pedal Group | 13-5 |
| Wiring – Excel System, Generation 2 Pedal Group | 13-9 |
| Electrical Components, Front Body – Electric Vehicle | 13-11 |
| Forward/Reverse Switch and Tow/Run Switch – Electric Vehicle | 13-13 |
| Single Point Watering System for 4x12-Volt Batteries | 13-15 |
| Single Point Watering System for 6x8-Volt Batteries | 13-17 |
| Batteries, Bucket, and Charger Receptacle – IQ and Excel Systems 4x12-Volt Batteries | 13-19 |

CONTENTS

| | |
|---|-------|
| Batteries, Bucket, and Charger Receptacle – IQ and Excel Systems 6x8-Volt Batteries | 13-21 |
| Batteries, Bucket, and Charger Receptacle – IQ and Excel Systems, Heavy Duty 6x8-Volt Batteries | 13-23 |
| Batteries, Bucket, and Charger Receptacle – IQ and Excel Systems, CE 6x8-Volt Batteries | 13-25 |
| Batteries, Bucket, and Charger Receptacle – IQ and Excel Systems, Heavy Duty, CE, Style B | 13-27 |
| Computer, Controller, and Solenoid – IQ System | 13-29 |
| Computer, Controller, and Solenoid – Excel System | 13-31 |

SECTION 14 – ELECTRIC MOTOR

| | |
|--|------|
| Motor (Model EJ4-4001) – Electric Vehicle | 14-3 |
| Motor (Model EJ8-4001A) – Electric Vehicle | 14-5 |

SECTION 15 – TRANSAXLE – ELECTRIC VEHICLES

| | |
|-------------------------------------|------|
| Transaxle – Electric Vehicles | 15-3 |
|-------------------------------------|------|

SECTION 16 – BATTERY CHARGER

| | |
|--|-------|
| PowerDrive 3 Battery Charger, Domestic | 16-3 |
| PowerDrive 2 Battery Charger (Model 22110), Domestic | 16-5 |
| PowerDrive Battery Charger (Model 17930), Domestic | 16-7 |
| PowerDrive Battery Charger (Model 18780), Export | 16-9 |
| PowerDrive Battery Charger (Model 20310), European | 16-11 |

SECTION 17 – MAINTENANCE AND SERVICE TOOLS

| | |
|--|-------|
| Maintenance and Service Tools | 17-3 |
| Maintenance and Service Tools, Continued | 17-5 |
| Maintenance and Service Tools, Continued | 17-7 |
| Maintenance and Service Tools, Continued | 17-9 |
| Maintenance and Service Tools, Continued | 17-11 |

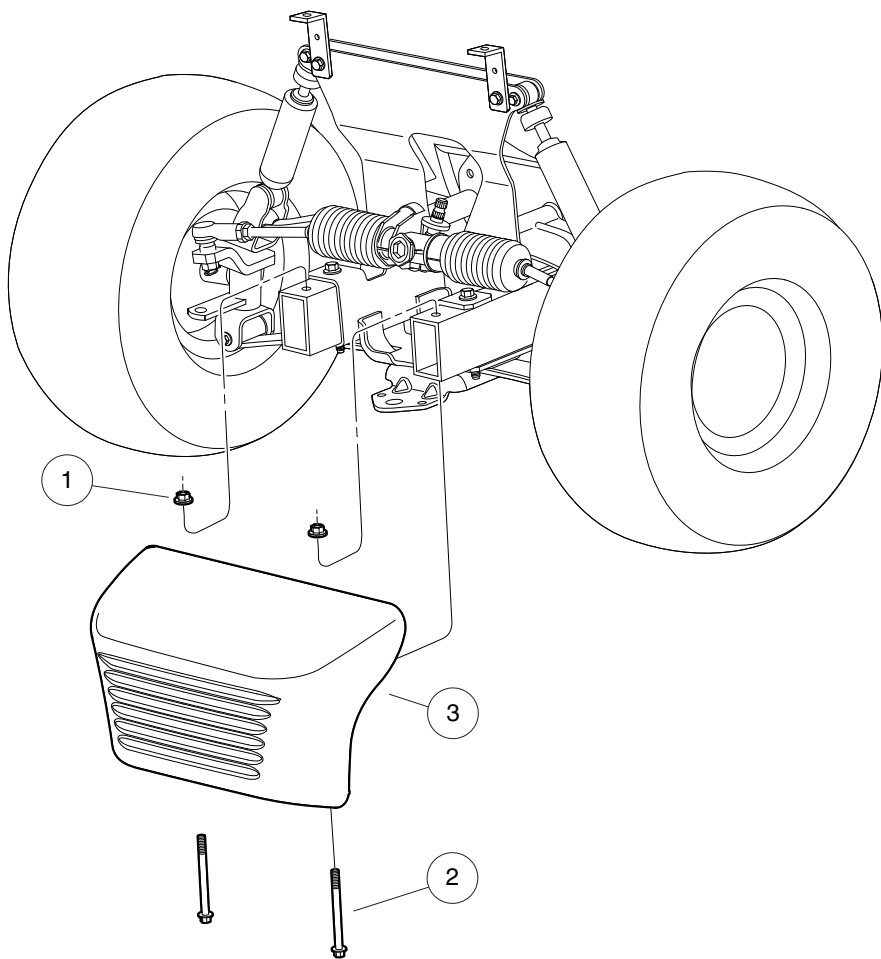
SECTION i – INDEX

BODY AND TRIM

1

G

E

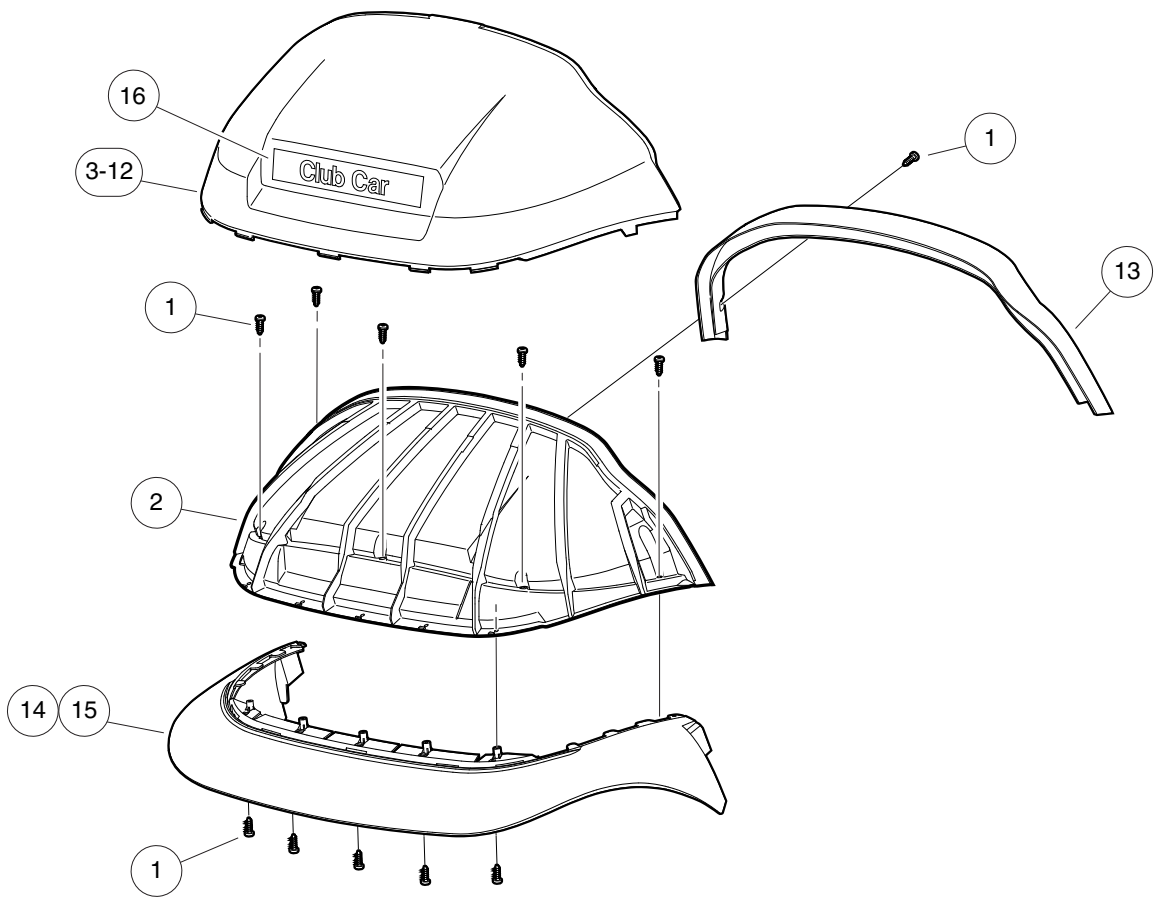


000437-001

FRONT BUMPER

| ITEM | PART NO. | DESCRIPTION | QTY |
|------|-----------|--|-----|
| 1 | 102298401 | 1 2 3 4 Nut,m8,all Metal Lock | 2 |
| 2 | 102534201 | Bolt - Fl Hd, M8 X 95 | 2 |
| 3 | 103330601 | Asm, Bumper, Front, Precedent | 1 |

1
G
E

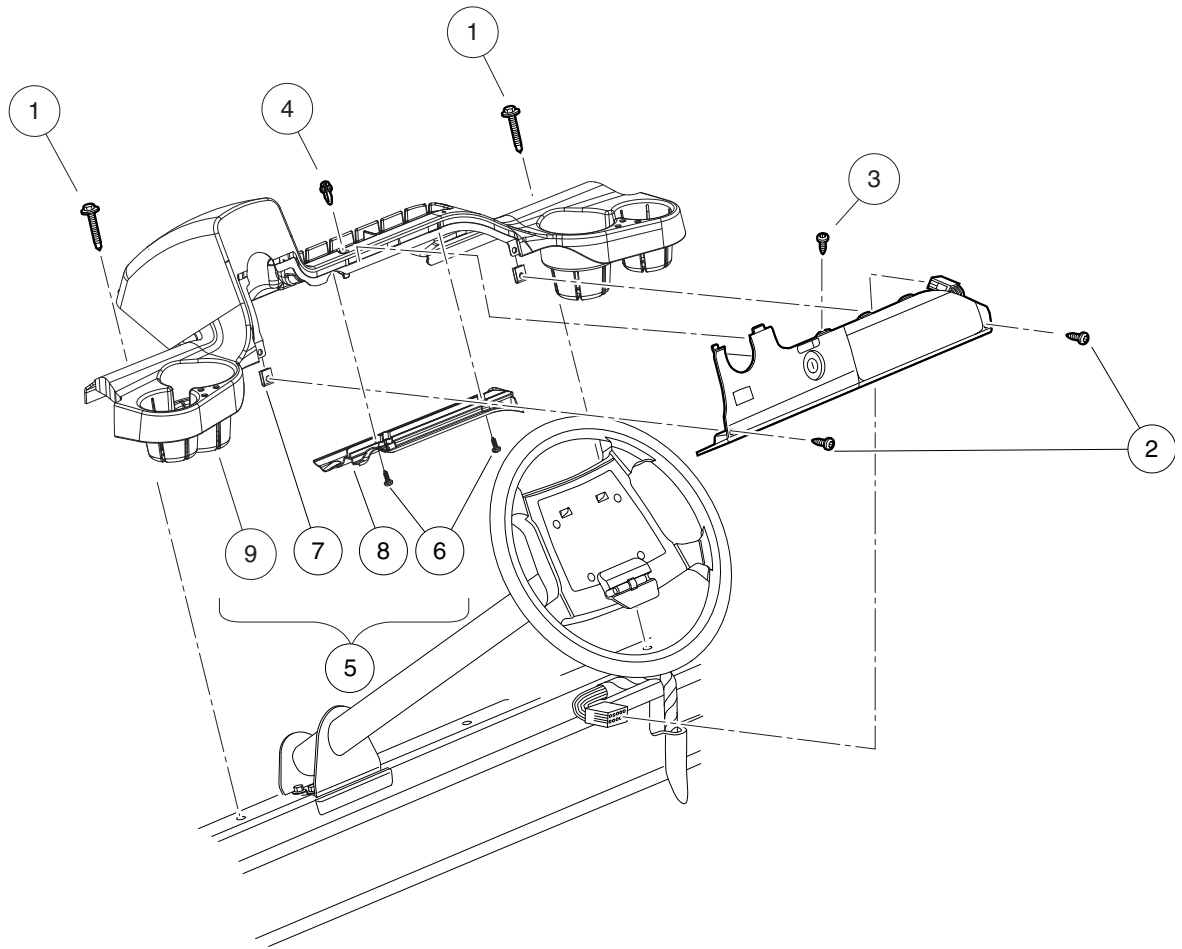


000434-001

FRONT BODY

| ITEM | PART NO. | DESCRIPTION | QTY |
|------|-----------|--------------------------------------|-----|
| | | 1 2 3 4 | |
| 1 | 102296020 | Screw, Torx Pan Hd Pt, M6 X 20 | 14 |
| 2 | 102501501 | Brow | 1 |
| 3 | 102502401 | Panel, Beauty Front, White | 1 |
| 4 | 102502402 | Panel, Beauty Front, Beige | 1 |
| 5 | 102502404 | Panel, Beauty Front, Gray | 1 |
| 6 | 102502405 | Panel, Beauty Front, Red | 1 |
| 7 | 102502406 | Panel, Beauty Front, Burgundy | 1 |
| 8 | 102502407 | Panel, Beauty Front, Green | 1 |
| 9 | 102502408 | Panel, Beauty Front, Blue | 1 |
| 10 | 102502409 | Panel, Beauty Front, Black | 1 |
| 11 | 102502411 | Panel, Beauty, Front, Cayenne | 1 |
| 12 | 102502413 | Panel-beauty Front, Atlantic | A/R |
| 13 | 102502501 | Brow Cap | 1 |
| 14 | 102534403 | Fascia, Grey | 1 |
| 15 | 102534404 | Fascia, Blk | 1 |
| 16 | 103816601 | Nameplate -cc | 1 |

1
G
E

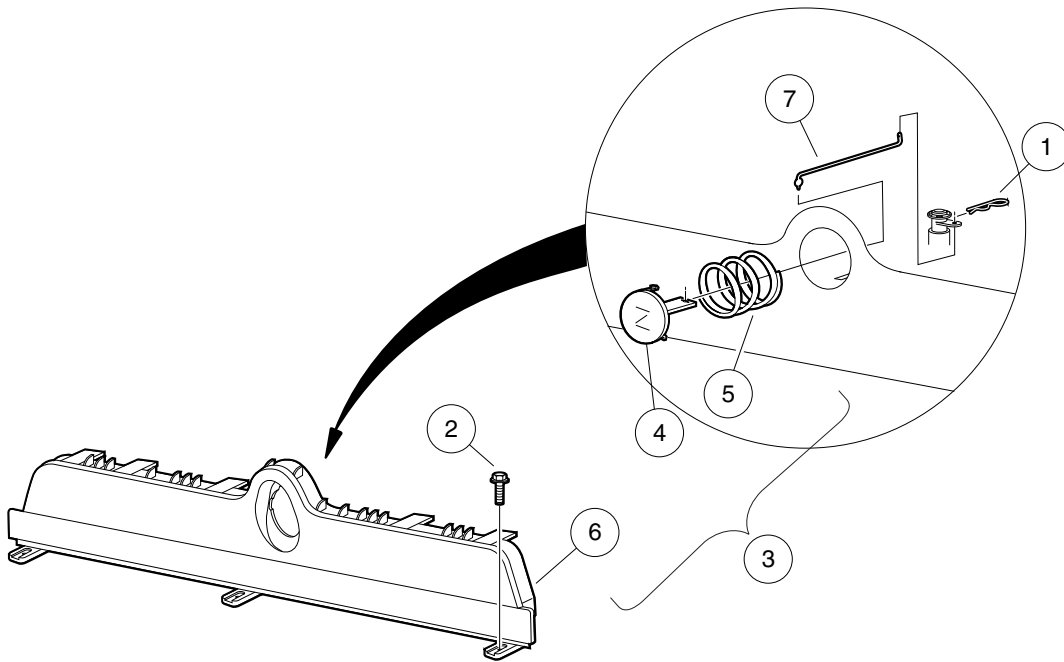


000438-002

DASH

| ITEM | PART NO. | DESCRIPTION | QTY |
|------|-----------|--|-----|
| | | 1 2 3 4 | |
| 1 | 102292356 | Screw-1/4-20x56 Hwh Self Drill | 2 |
| 2 | 102296819 | Screw-m6 X 19-pnhd Ab | 2 |
| 3 | 102557201 | Screw, #6-20 Type Abx1.00 Pan | 1 |
| 4 | 102915601 | Plastic Rivet - Tuflock | 1 |
| 5 | 103402701 | Dash Assembly, Prec (includes items 6 through 9) | 1 |
| 6 | N/A | Screw-torx Pan Hd Pt,m6 X 16 | 2 |
| 7 | 102297001 | U-nut, 1/4" Type Ab | 2 |
| 8 | N/A | Drain Channel - Dash | 1 |
| 9 | N/A | Dash, Prec | 1 |

1
G
E



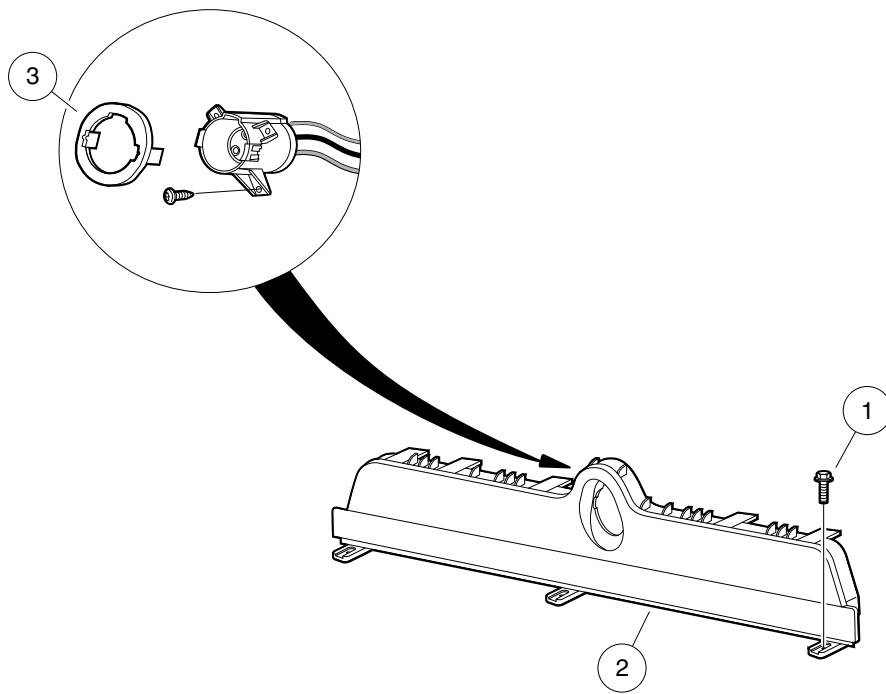
000501-001

KICK PLATE – GASOLINE VEHICLE

| ITEM | PART NO. | DESCRIPTION | QTY |
|------|-----------|--|-----|
| | | 1 2 3 4 | |
| 1 | 1014413 | Pin, Hair Spring Cotter | 1 |
| 2 | 102298030 | Screw, K80x30, Torx Pn Hd Pt | 3 |
| 3 | 102511702 | Asm-gas Kick Plate, Blk (includes items 4 through 6) | 1 |
| 4 | 101811401 | Lever, Choke | 1 |
| 5 | 101856201 | Compression Spring | 1 |
| 6 | N/A | Plate - Gas Kick, Blk | 1 |
| 7 | 102514401 | Rod, Choke Button | 1 |

1
G
E

1
G
E



000500-001

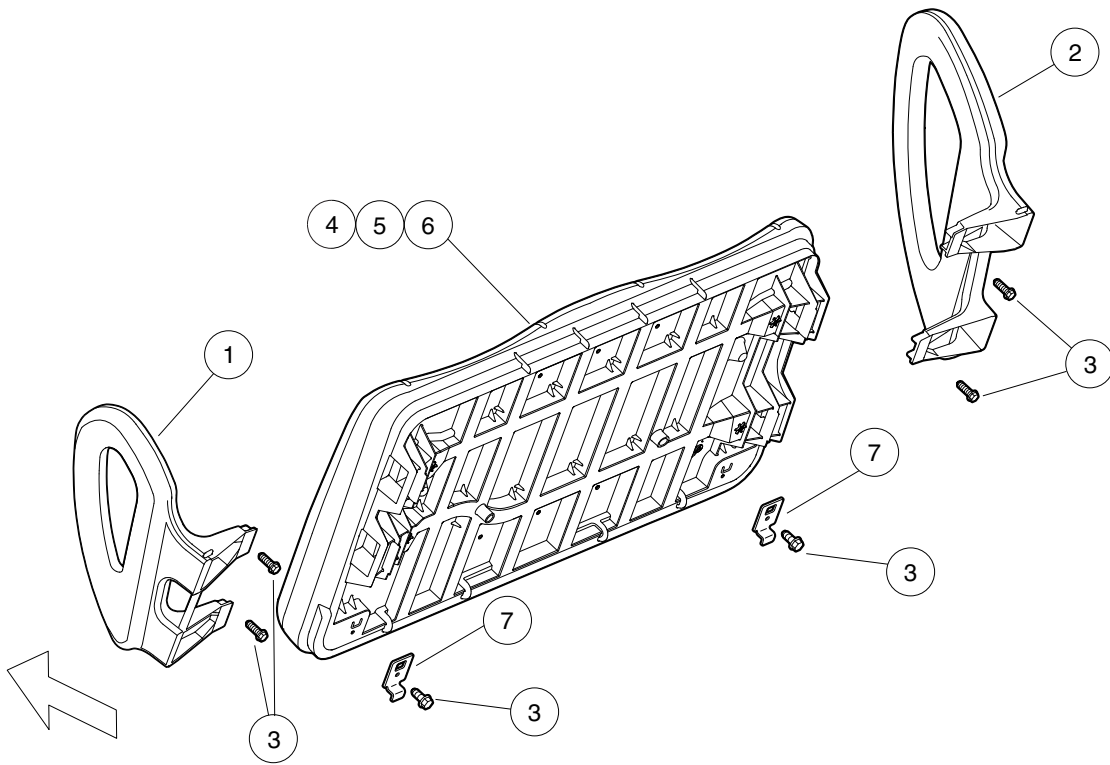
KICK PLATE – ELECTRIC VEHICLE

| ITEM | PART NO. | DESCRIPTION | QTY |
|------|-----------|------------------------------------|-----|
| | | 1 2 3 4 | |
| 1 | 102298030 | Screw, K80x30, Torx Pn Hd Pt | 3 |
| 2 | 102508202 | Plate - Electric Kick Blk | 1 |
| 3 | 102516901 | Socket Trim | 1 |

1

G

E



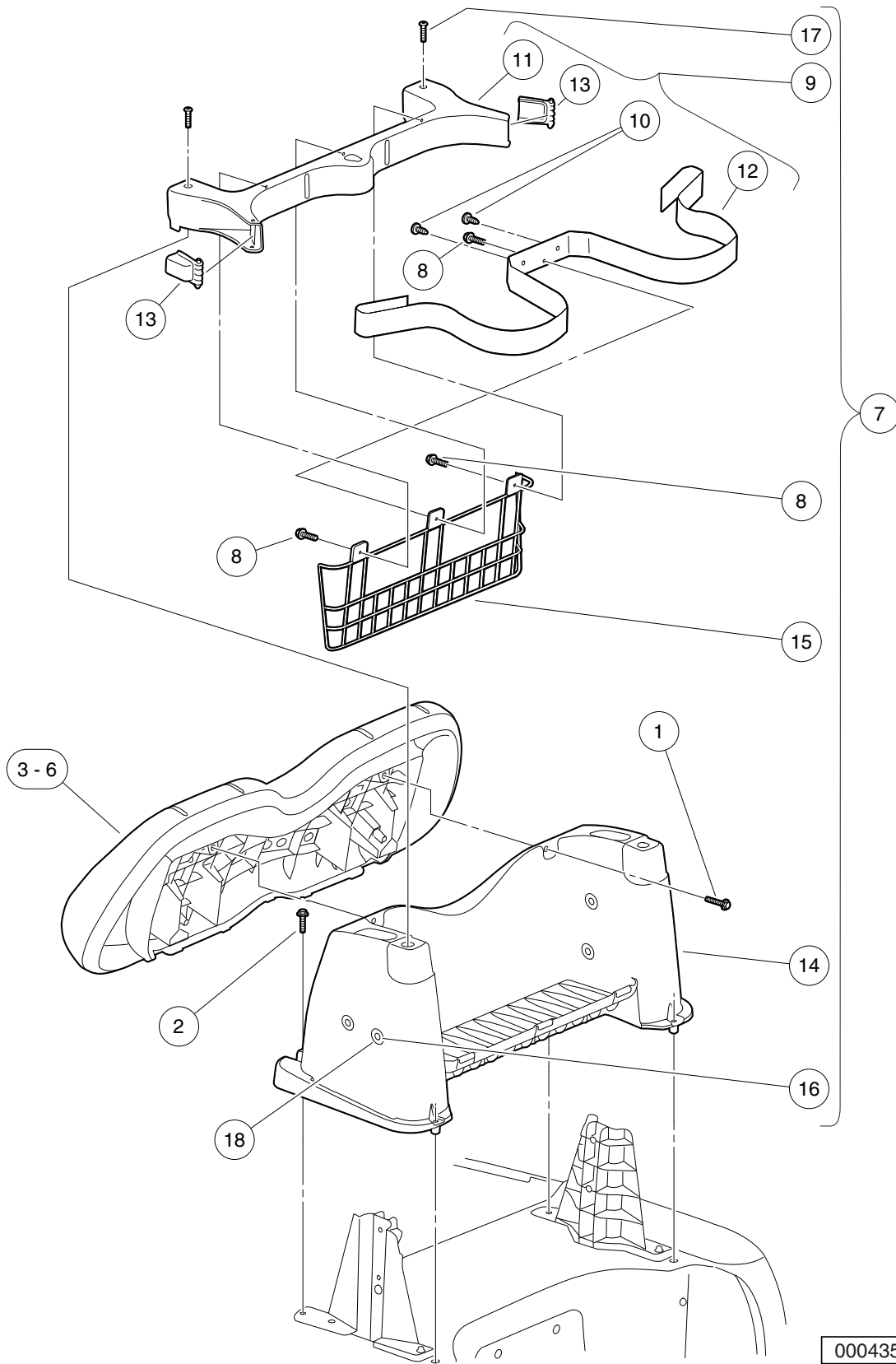
000440-002

SEAT WITH HIP RESTRAINTS

| ITEM | PART NO. | DESCRIPTION | QTY |
|------|-----------|-----------------------------------|-----|
| | | 1 2 3 4 | |
| 1 | 102562701 | Hip Restraint, Prec, Lh | 1 |
| 2 | 102562801 | Hip Restraint, Prec, Rh | 1 |
| 3 | 102562901 | Screw, Seat Bottom Prec | 6 |
| 4 | 103423001 | Seat Bottom Asy, Prec-beige | 1 |
| 5 | 103423002 | Seat Bottom Asy, Prec-white | 1 |
| 6 | 103423004 | Seat Bottom Asy, Prec-gray | 1 |
| 7 | 103447901 | Bracket, Hinge, Male, Prec | 2 |

1
G
E

1
G
E



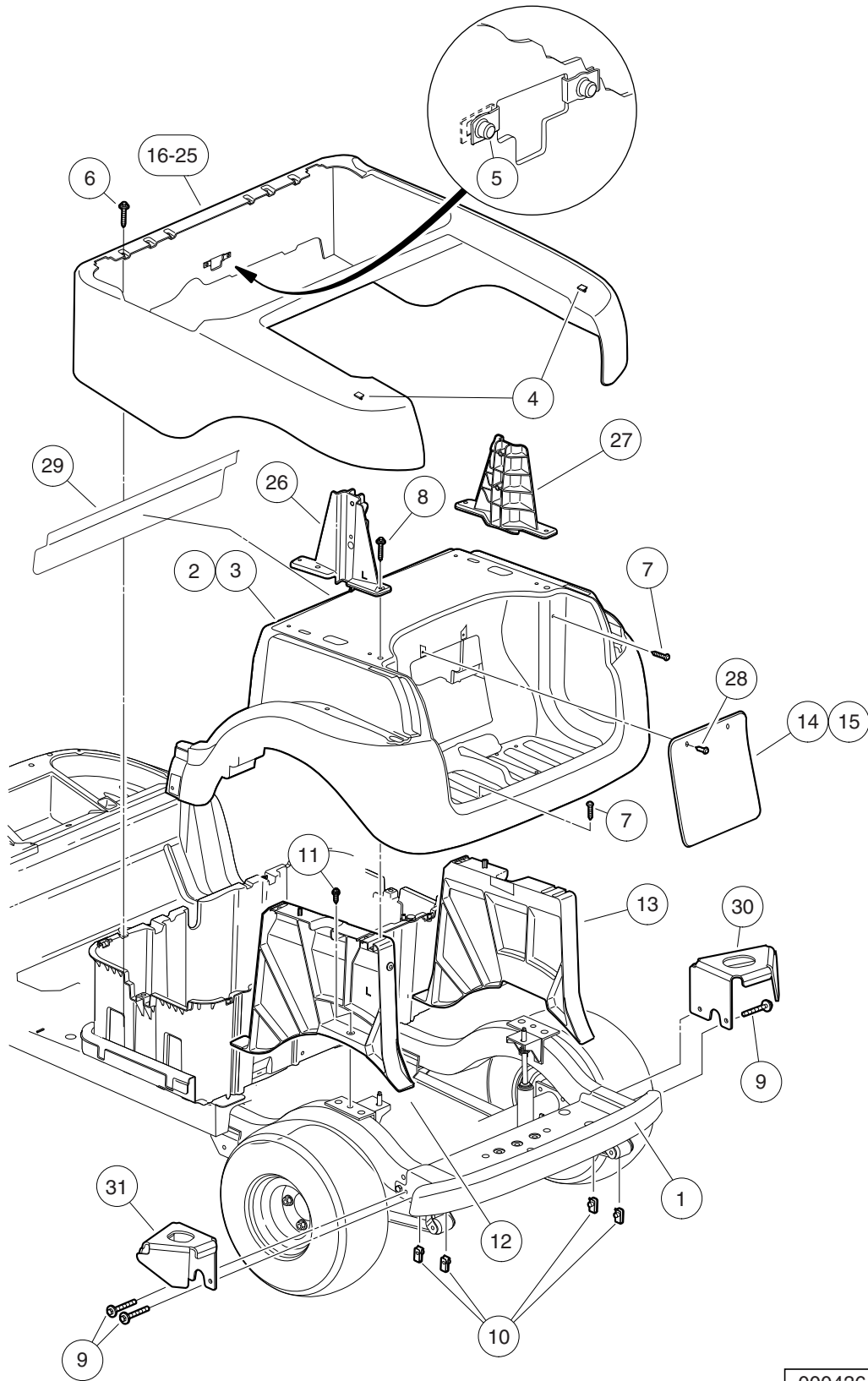
000435-001

BACKREST AND STRUCTURAL ACCESSORY MODULE (SAM)

| ITEM | PART NO. | DESCRIPTION | QTY |
|------|-----------|---|-----|
| | | 1 2 3 4 | |
| 1 | 102296530 | Screw - M6 X 1.0 X 30 Sems | 2 |
| 2 | 102298240 | Bolt, Flange Head, M8-1.25 X 40 | 4 |
| 3 | 102503221 | Service Backrest Asm, Beige | 1 |
| 4 | 102503222 | Service Backrest Asm, White | 1 |
| 5 | 102503224 | Service Backrest Asm, Gray | 1 |
| 6 | 102503225 | Service Backrest Asm-black | 1 |
| 7 | 102503901 | Asm-sam (includes items 8 through 17) | 1 |
| 8 | 102297125 | Screw M6-1.0x25.4 Thd Fm Sems | 3 |
| 9 | 102504001 | Asm-bag Hoop (includes items 10 through 13) | 1 |
| 10 | 1010434 | Barrel - Plastic | 2 |
| 11 | 102504201 | Hoop-bag | 1 |
| 12 | 102504301 | Strap, Bag | 1 |
| 13 | 102517001 | Buckle-bag Strap | 2 |
| 14 | N/A | Structural Accessory Module | 1 |
| 15 | 102504501 | Panel, SAM | 1 |
| 16 | 102551701 | Insert M6x1.0 | 4 |
| 17 | 103327601 | Screw, 5/16, Torx, Bosscrew | 2 |
| 18 | 102568701 | Barrel - Plastic 6mm | 8 |

1
G
E

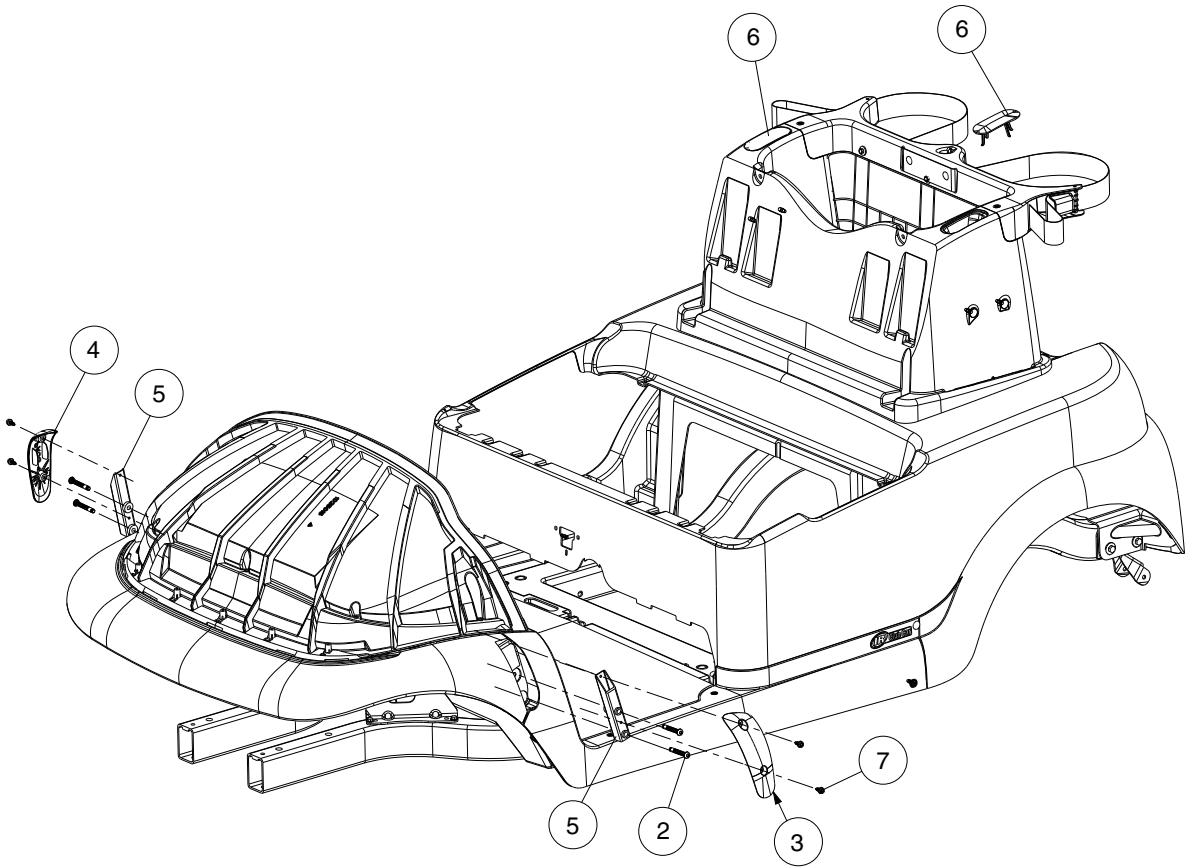
1
G
E



REAR BODY

| ITEM | PART NO. | DESCRIPTION | QTY |
|------|-----------|--|-----|
| | | 1 2 3 4 | |
| 1 | 102279001 | Rear Bumper Beam | 1 |
| 2 | 102279103 | Underbody - Rear, Grey | 1 |
| 3 | 102279104 | Underbody - Rear, Blk | 1 |
| 4 | 102292701 | Clip-body-trim | 2 |
| 5 | 102296601 | U-nut, M6-1.0 Prev Torque | 2 |
| 6 | 102297230 | Screw,m6,torx,interlock,thread | 4 |
| 7 | 102298030 | Screw, K80x30, Torx Pn Hd Pt | 4 |
| 8 | 102298240 | Bolt, Flange Head, M8-1.25 X 40 | 2 |
| 9 | 102298580 | M8-1.25 X 80 Sems | 4 |
| 10 | 102298601 | J-clip - M8 X 1.25 | 4 |
| 11 | 102298716 | M8-1.25x16 Taptite | 2 |
| 12 | 102500501 | Asm, Rear U/b Support, Lh | 1 |
| 13 | 102500601 | Asm, Rear U/b Support, Rh | 1 |
| 14 | 102501401 | Panel, Access, Gray | 1 |
| 15 | 102501402 | Panel, Access, Black | 1 |
| 16 | 102502301 | Panel, Beauty, Rear, White | 1 |
| 17 | 102502302 | Panel, Beauty, Rear, Beige | 1 |
| 18 | 102502304 | Panel, Beauty, Rear, Gray | 1 |
| 19 | 102502305 | Panel, Beauty, Rear, Red | 1 |
| 20 | 102502306 | Panel, Beauty, Rear, Burgundy | 1 |
| 21 | 102502307 | Panel, Beauty, Rear, Green | 1 |
| 22 | 102502308 | Panel, Beauty, Rear, Blue | 1 |
| 23 | 102502309 | Panel, Beauty, Rear, Black | 1 |
| 24 | 102502311 | Panel-beauty Rear, Cayenne | 1 |
| 25 | 102502313 | Panel-beauty Rear, Atlantic | 1 |
| 26 | 102502901 | Bracket, Canopy Support Left-Hand | 1 |
| 27 | 102503001 | Bracket, Canopy Support Right-Hand | 1 |
| 28 | 102967901 | Rivet, Removable, Tuflok 1/4" | 2 |
| 29 | N/A | Diverter, Precedent Water | 1 |
| 30 | 103677401 | Bracket, Bmpr, Pas | 1 |
| 31 | 103677402 | Bracket, Bmpr, Drv | 1 |

1
G
E



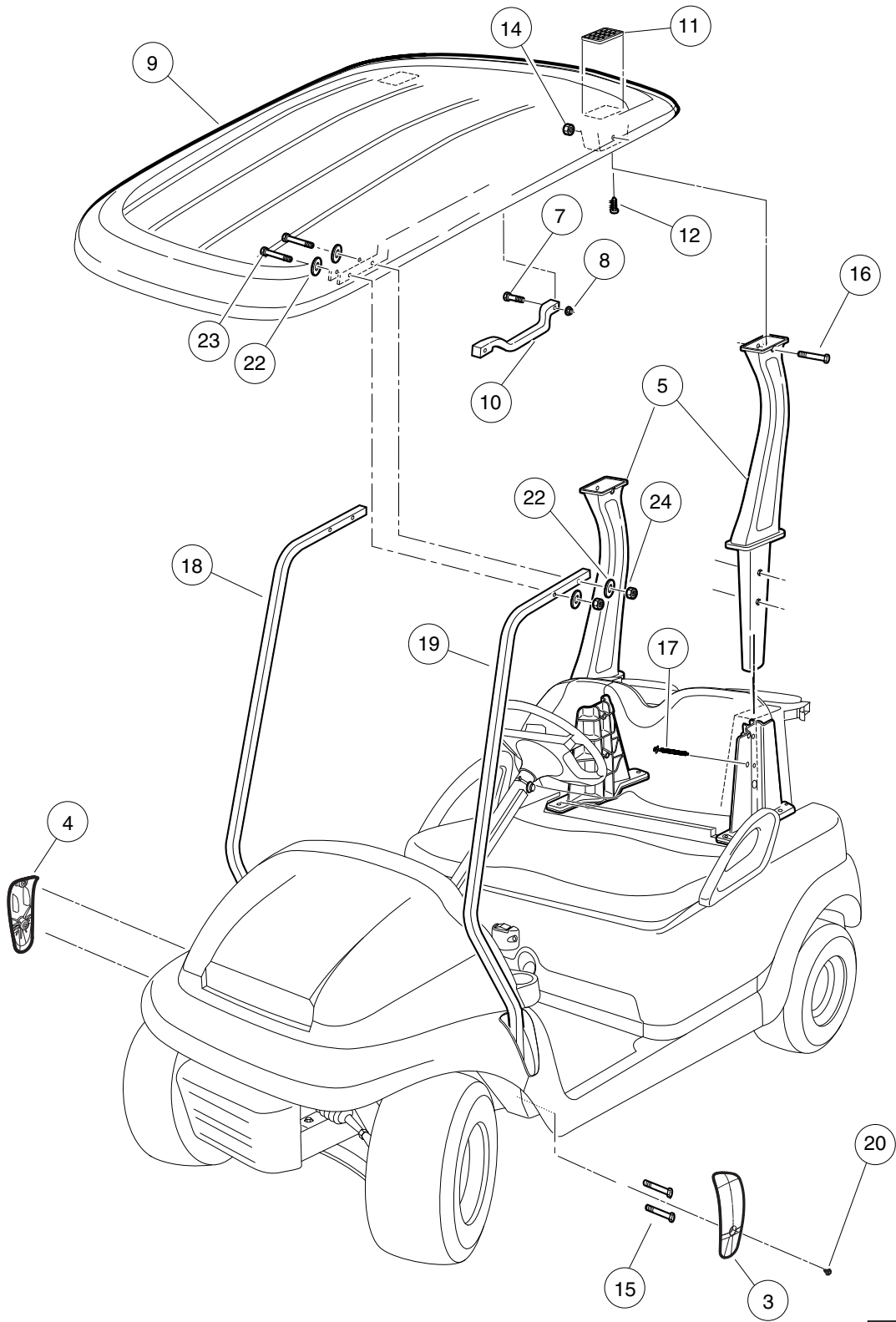
000730-001

UNDERBODY COVERS (VEHICLE WITHOUT CANOPY)

| ITEM | PART NO. | DESCRIPTION | QTY |
|--|-----------|--|-----|
| | | 1 2 3 4 | |
| 1 | 102543902 | Kit, Underbody Cover, Black (includes items 2 through 7) | 1 |
| 2 | 102299065 | M8-1.25 X 65 Tx Bttn Hd Bolt | 4 |
| 3 | 102400202 | Cover, Lh Non-canopy, Blk | 1 |
| 4 | 102400302 | Cover, Rh Non-canopy, Blk | 1 |
| 5 | N/A | Support, Strut Cover | 2 |
| 6 | N/A | SAM Cap | 2 |
| 7 | 102544201 | Screw, M6 Hex | 4 |
| <p>Note: Sub-components contained in item 8 are the same as those shown for item 1, except for the color of the caps and covers.</p> | | | |

1
G
E

1
G
E



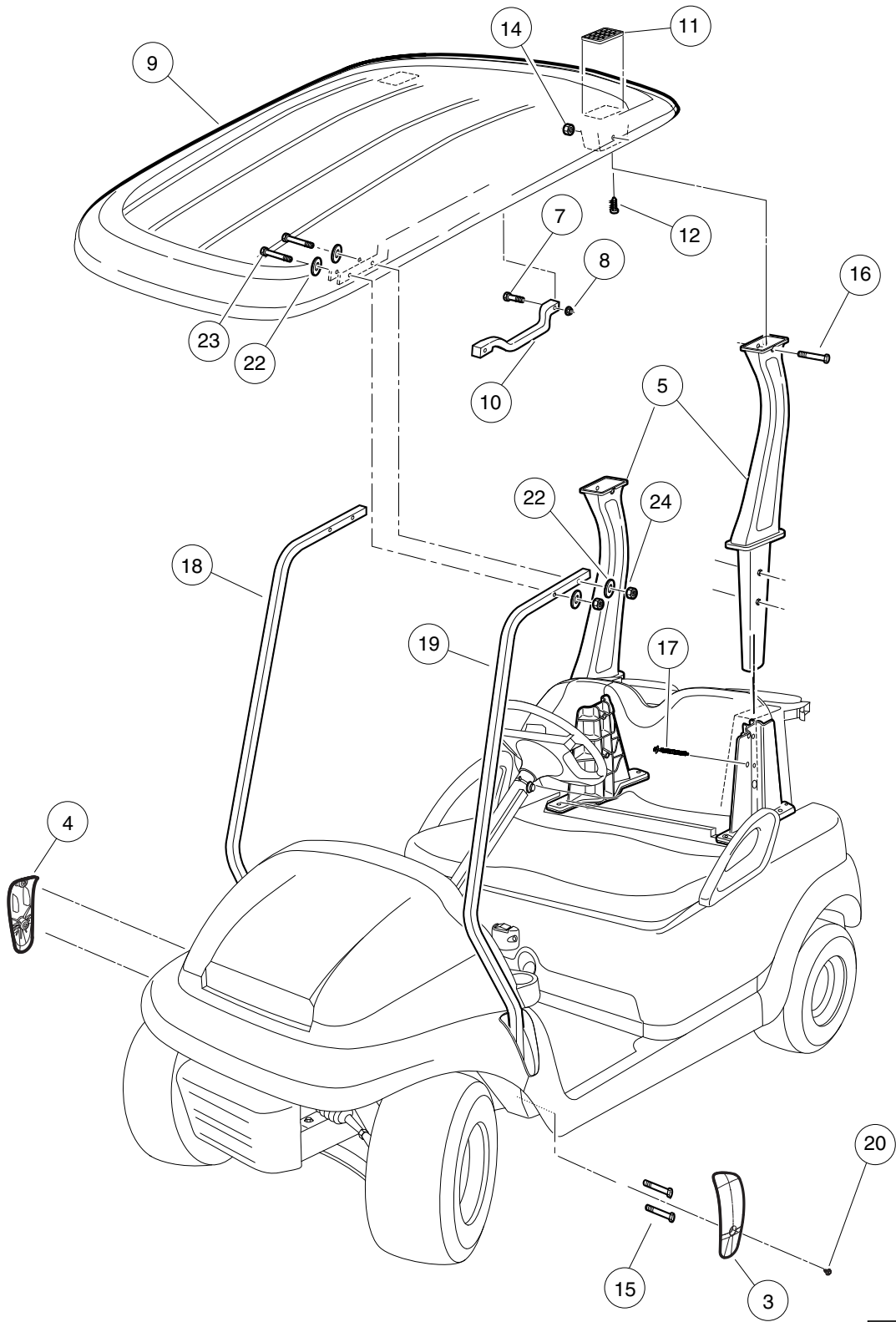
000439-001

CANOPY – BEIGE

| ITEM | PART NO. | DESCRIPTION | QTY |
|--------------------------|-----------|--|-----|
| | | 1 2 3 4 | |
| 1 | 102520702 | Kit-canopy, Prec-beige (includes items 2 through 13) | 1 |
| 2 | N/A | Beige Canopy Component Kit (includes items 3 through 6) | 1 |
| 3 | 102400002 | Cover, Lh Canopy Support, Blk | 1 |
| 4 | 102400102 | Cover, Rh Canopy Support, Blk | 1 |
| 5 | 102513501 | Asm-rear Canopy Support | 2 |
| 6 | N/A | Asm-canopy, Beige (includes items 7 through 12) | 1 |
| 7 | 102296140 | Bolt, Flanged Head, M6x1.0x40 | 4 |
| 8 | 102296401 | Nut-m6x1.0 Flng All Mtl Lock | 4 |
| 9 | 102508902 | Canopy-beige | 1 |
| 10 | 102511602 | Handle, Canopy (Beige) | 2 |
| 11 | 103205101 | Cover, Drain, Canopy, Precedent | 2 |
| 12 | 103210101 | Screw, #8 X.75, Torx, Tapping | 2 |
| 13 | N/A | Kit, Hardware, Canopy Strut (includes items 14 through 24) | 1 |
| 14 | 102298401 | Nut,m8,all Metal Lock | 2 |
| 15 | 102299065 | M8-1.25 X 65 Tx Bttm Hd Bolt | 4 |
| 16 | 102299360 | Screw, M8-1.25 X 60, Sems, Tx | 2 |
| 17 | 102299601 | Screw, Pt, K80x70 Hex Flg Hd | 2 |
| 18 | 102512401 | Support, Canopy Front, Right-Hand | 1 |
| 19 | 102513301 | Support, Canopy Front Left-Hand | 1 |
| 20 | 102544201 | Screw, M6 Hex | 2 |
| 21 | N/A | Instr, Kit, Canopy (prec) | 1 |
| 22 | 103196001 | Washer, Conical Spring, Canopy | 8 |
| 23 | 103199301 | Bolt - M6 X 1 X 45 Hh Grey | 4 |
| 24 | 103200301 | Nut, M6 x 1.00 | 4 |
| Note: Item 21 not shown. | | | |

1
G
E

1
G
E



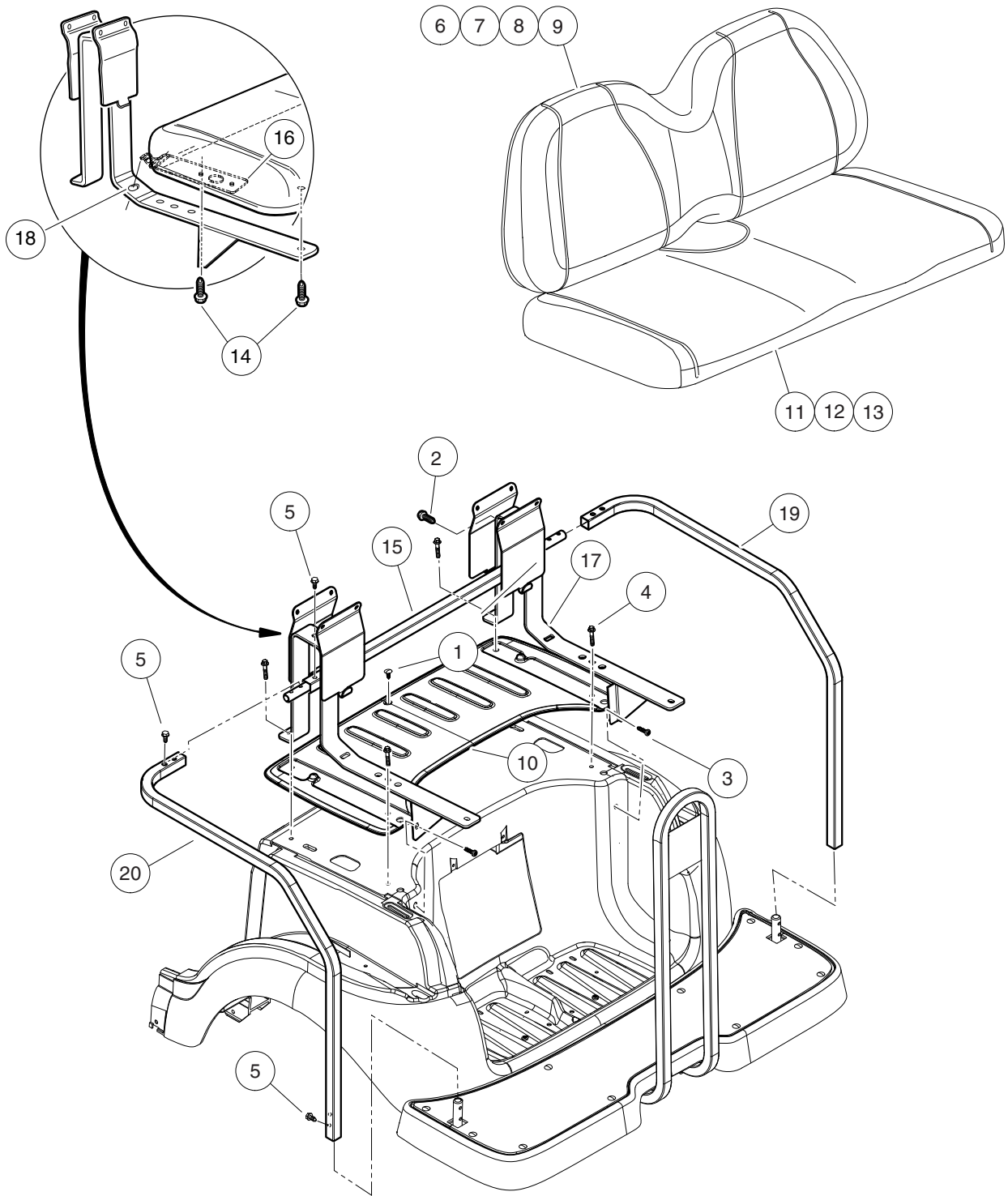
000439-001

CANOPY – WHITE

| ITEM | PART NO. | DESCRIPTION | QTY |
|--------------------------|-----------|--|-----|
| | | 1 2 3 4 | |
| 1 | 102520701 | Kit-canopy, Prec-white (includes items 2 through 13) | 1 |
| 2 | N/A | White Canopy Component Kit (includes items 3 through 6) | 1 |
| 3 | 102400002 | Cover, Lh Canopy Support, Blk | 1 |
| 4 | 102400102 | Cover, Rh Canopy Support, Blk | 1 |
| 5 | 102513501 | Asm-rear Canopy Support | 2 |
| 6 | N/A | Asm-canopy, White (includes items 7 through 12) | 1 |
| 7 | 102296140 | Bolt, Flanged Head, M6x1.0x40 | 4 |
| 8 | 102296401 | Nut-m6x1.0 Flng All Mtl Lock | 4 |
| 9 | 102508901 | Canopy-white | 1 |
| 10 | 102511601 | Handle, Canopy (White) | 2 |
| 11 | 103205101 | Cover, Drain, Canopy, Precedent | 2 |
| 12 | 103210101 | Screw, #8 X.75, Torx, Tapping | 2 |
| 13 | N/A | Kit, Hardware, Canopy Strut (includes items 14 through 24) | 1 |
| 14 | 102298401 | Nut,m8,all Metal Lock | 2 |
| 15 | 102299065 | M8-1.25 X 65 Tx Bttm Hd Bolt | 4 |
| 16 | 102299360 | Screw, M8-1.25 X 60, Sems, Tx | 2 |
| 17 | 102299601 | Screw, Pt, K80x70 Hex Flg Hd | 2 |
| 18 | 102512401 | Support, Canopy Front, Right-Hand | 1 |
| 19 | 102513301 | Support, Canopy Front Left-Hand | 1 |
| 20 | 102544201 | Screw, M6 Hex | 2 |
| 21 | N/A | Instr, Kit, Canopy (prec) | 1 |
| 22 | 103196001 | Washer, Conical Spring, Canopy | 8 |
| 23 | 103199301 | Bolt - M6 X 1 X 45 Hh Grey | 4 |
| 24 | 103200301 | Nut, M6 x 1.00 | 4 |
| Note: Item 21 not shown. | | | |

1
G
E

1
G
E



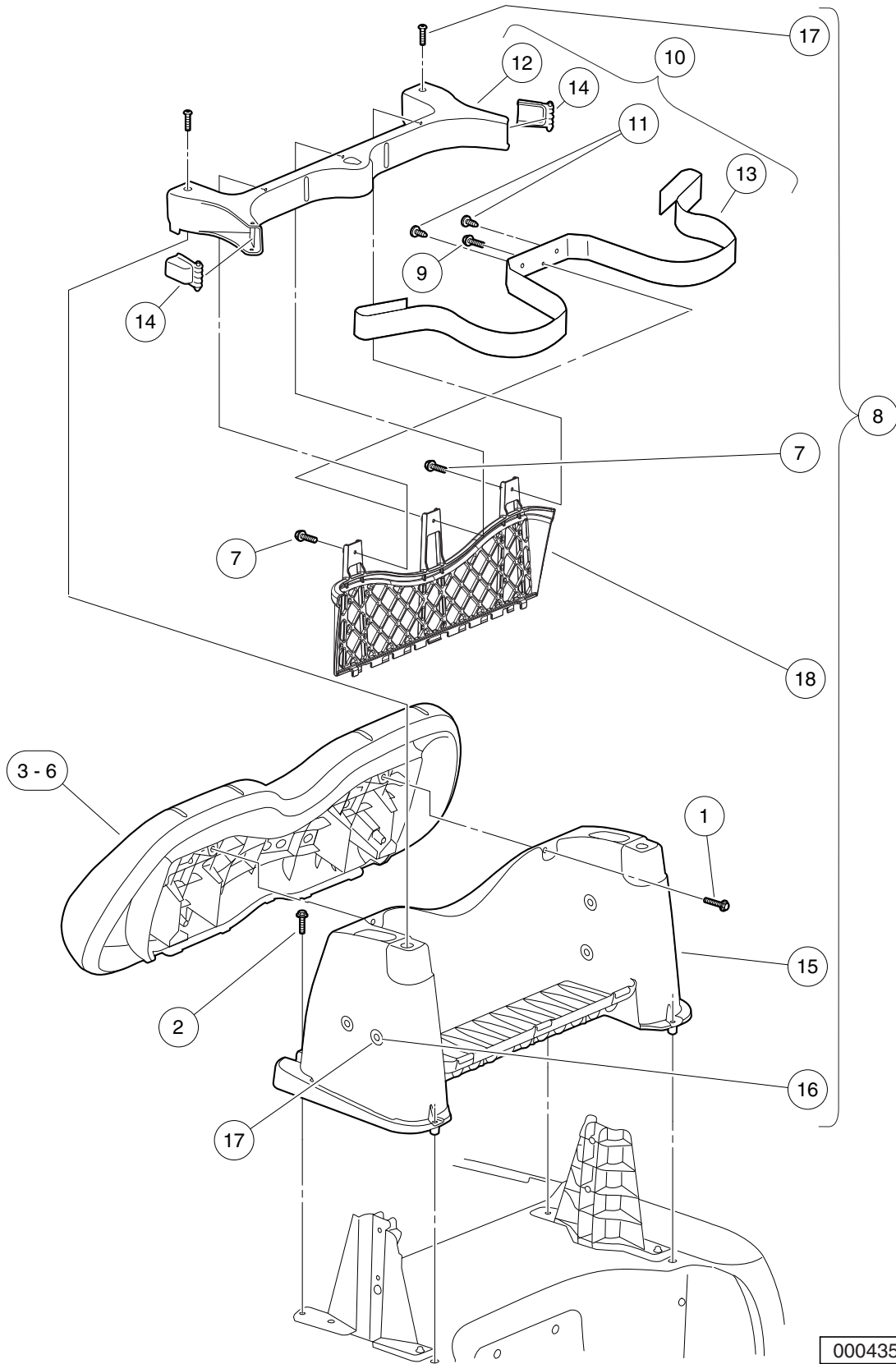
000494-001

REAR SEAT – PRECEDENT VILLAGER 4

| ITEM | PART NO. | DESCRIPTION | QTY |
|------|-----------|--|-----|
| | | 1 2 3 4 | |
| 1 | 1010434 | Barrel - Plastic | 10 |
| 2 | 102296530 | Screw - M6 X 1.0 X 30 Sems | 4 |
| 3 | 102298030 | Screw, K80x30, Torx Pn Hd Pt | 2 |
| 4 | 102298240 | Bolt, Flange Head, M8-1.25 X 40 | A/R |
| 5 | 102298720 | M8-1.25x20 Taptite | 10 |
| 6 | 102503221 | Service Backrest Asm, Beige | 1 |
| 7 | 102503222 | Service Backrest Asm, White | 1 |
| 8 | 102503224 | Service Backrest Asm, Gray | 1 |
| 9 | 102503225 | Service Backrest Asm-black | 1 |
| 10 | 102531501 | Cover, 4-pass Ns1 Underbody | 1 |
| 11 | 102531701 | 4-Passenger Rear Seat Bottom, Beige | 1 |
| 12 | 102531702 | 4-Passenger Rear Seat Bottom, White | 1 |
| 13 | 102531704 | 4-Passenger Rear Seat Bottom, Gray | 1 |
| 14 | 102541425 | Bolt-m6x1.0x25 Hex Flhd, Blk-l | 4 |
| 15 | 102572201 | Connector Tube-hand Rail Asm | 1 |
| 16 | 102573101 | Bracket, 4-pass Lower Seat | 2 |
| 17 | 102574801 | Support-rh 4 Passenger Seat | 1 |
| 18 | 102574901 | Support-lh 4 Passenger Seat | 1 |
| 19 | 102575101 | Restraint- Rh 4-passenger Hip | 1 |
| 20 | 102575201 | Restraint- Lh 4-passenger Hip | 1 |
| | | Note: See also four-passenger kit information. | |

1
G
E

1
G
E



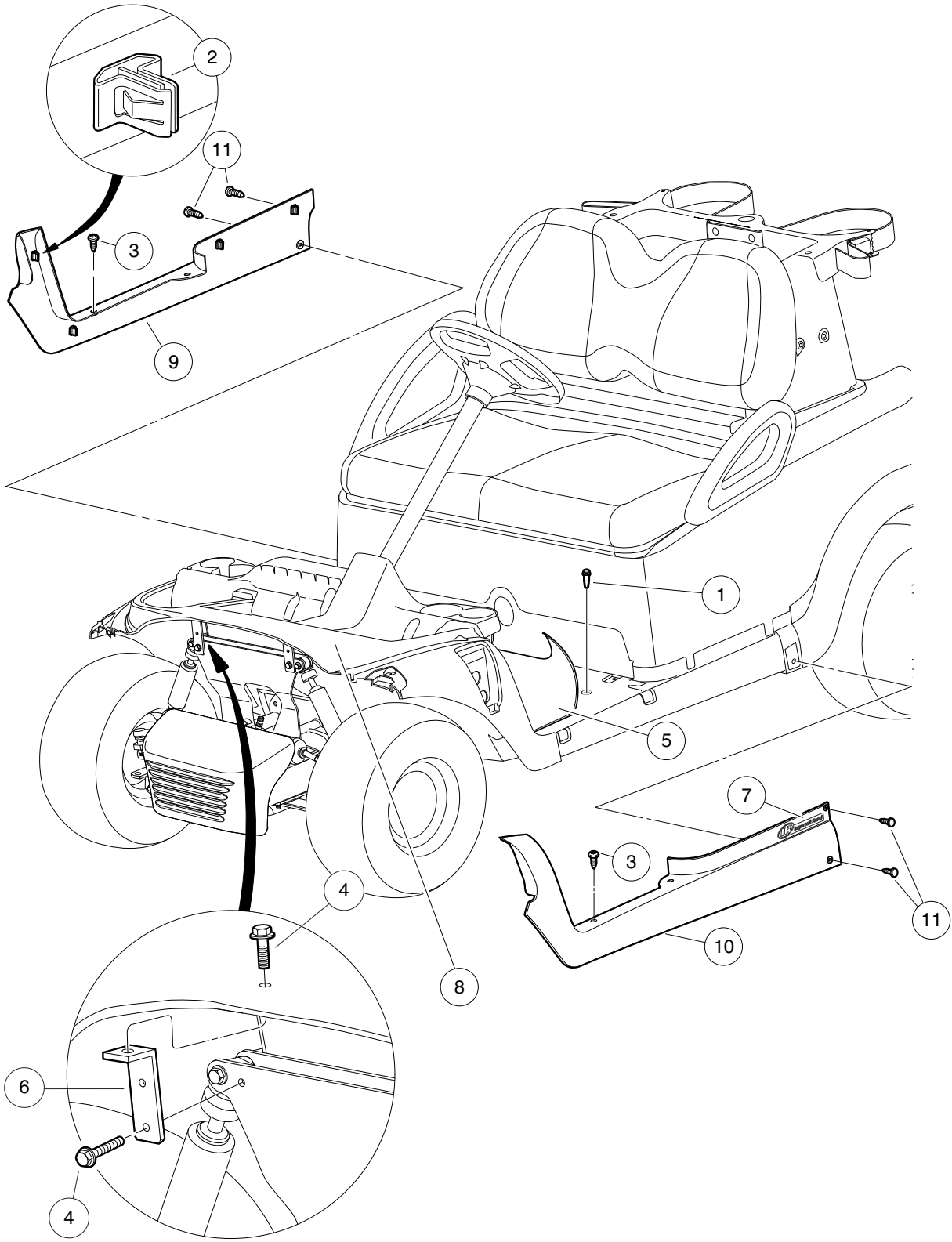
000435-002

BACKREST AND STRUCTURAL ACCESSORY MODULE (SAM)

| ITEM | PART NO. | DESCRIPTION | QTY |
|------|-----------|---|-----|
| | | 1 2 3 4 | |
| 1 | 102296530 | Screw - M6 X 1.0 X 30 Sems | 2 |
| 2 | 102298240 | Bolt, Flange Head, M8-1.25 X 40 | 4 |
| 3 | 102503221 | Service Backrest Asm, Beige | 1 |
| 4 | 102503222 | Service Backrest Asm, White | 1 |
| 5 | 102503224 | Service Backrest Asm, Gray | 1 |
| 6 | 102503225 | Service Backrest Asm-black | 1 |
| 7 | 102568701 | Barrel - Plastic 6mm | 8 |
| 8 | 103720201 | Asm, Sam (includes items 9 through 18) | 1 |
| 9 | 102297230 | Screw,m6,torx,interlock,thread | 3 |
| 10 | 102504001 | Asm-bag Hoop (includes items 11 through 14) | 1 |
| 11 | 1010434 | Barrel - Plastic | 2 |
| 12 | 102504201 | Hoop-bag | 1 |
| 13 | 102504301 | Strap, Bag | 1 |
| 14 | 102517001 | Buckle-bag Strap | 2 |
| 15 | N/A | Structural Accessory Module | 1 |
| 16 | 102551701 | Insert M6x1.0 | 4 |
| 17 | 103327601 | Screw, 5/16, Torx, Bosscrew | 2 |
| 18 | 103699401 | Panel, Sam, Prec | 1 |

1
G
E

1
G
E

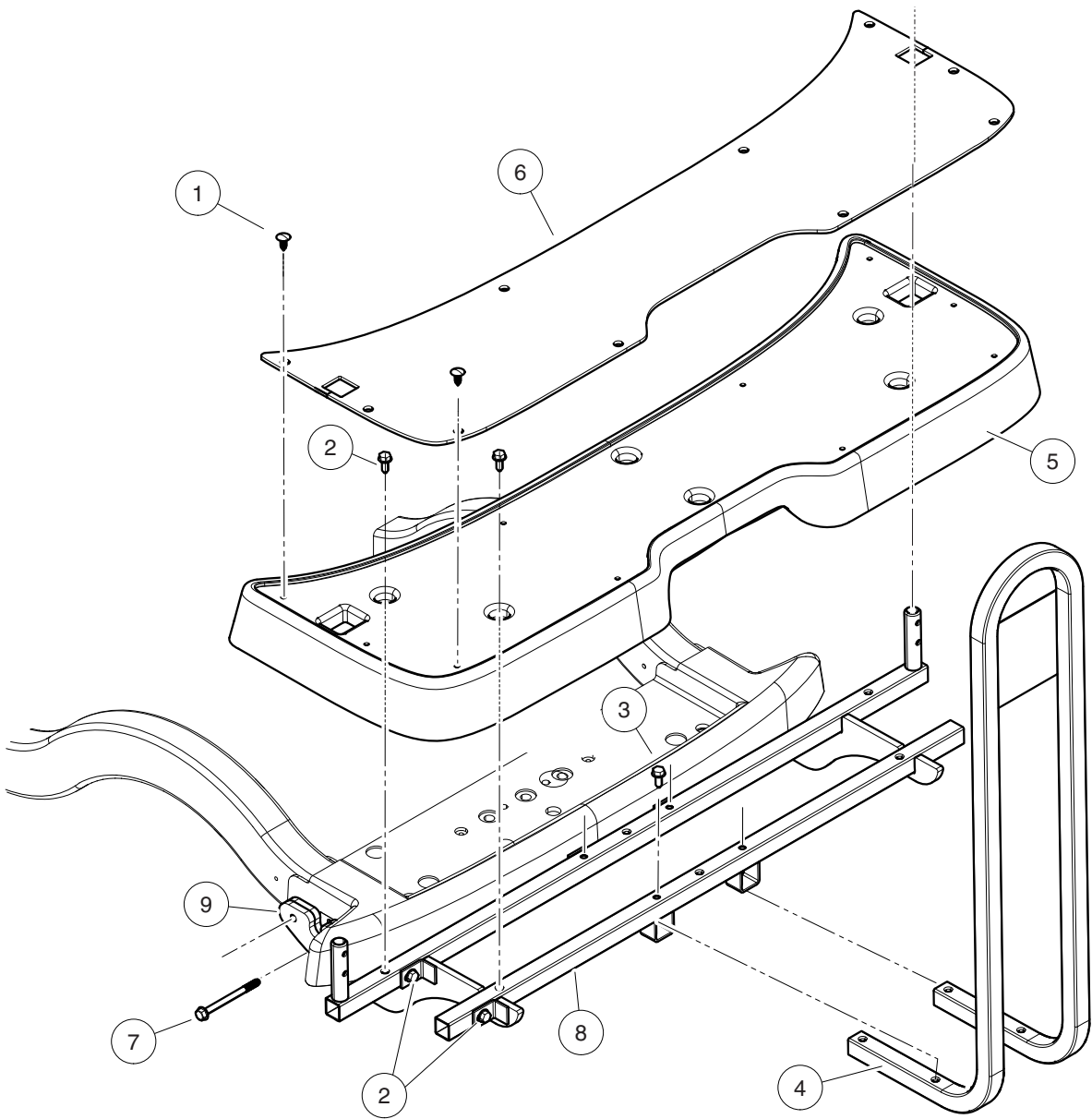


000497-002

FLOOR MAT, RETAINER, AND FRONT UNDERBODY- STYLE B

| ITEM | PART NO. | DESCRIPTION | QTY |
|------|-----------|--------------------------------------|-----|
| | | 1 2 3 4 | |
| 1 | 102292356 | Screw-1/4-20x56 Hwh Self Drill | 3 |
| 2 | 102292701 | Clip-body-trim | 8 |
| 3 | 102298020 | Screw, K80x20, Torx Pn Hd Pt | 4 |
| 4 | 102298716 | M8-1.25x16 Taptite | 4 |
| 5 | 102504802 | Floormat, Precedent | 1 |
| 6 | 102521901 | Bracket-clamshell | 2 |
| 7 | 102523901 | Decal, IR/Club Car | 2 |
| 8 | 103635201 | Underbody, Front, One Piece | 1 |
| 9 | 103678001 | Floormat Retainer Asm, Rh, Blk | 1 |
| 10 | 103678101 | Floormat Retainer Asm, Lh, Blk | 1 |
| 11 | 103683001 | Barrel Fastner, Blk, Firm | 4 |

1
G
E



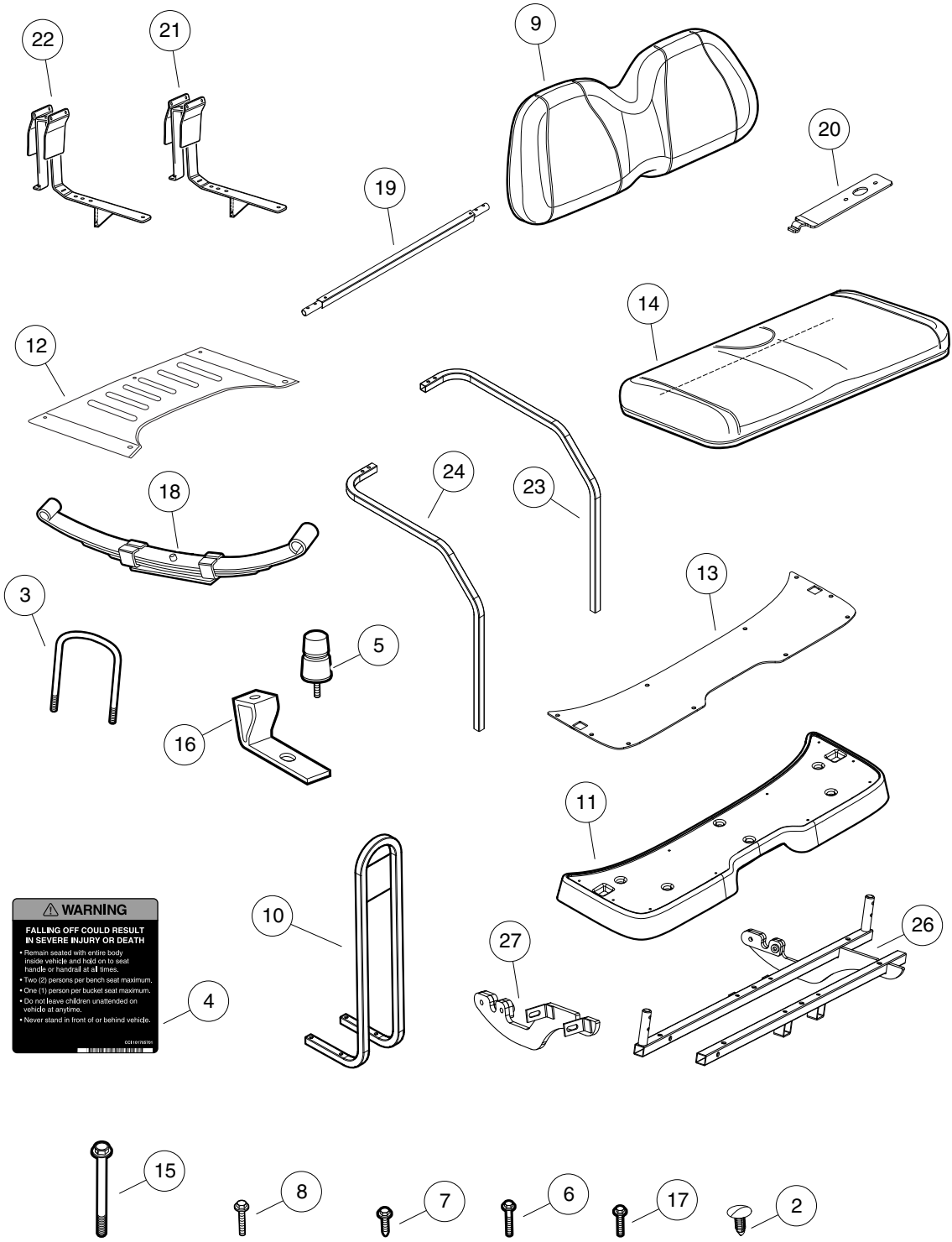
000493-001

REAR FOOTREST ASSEMBLY – PRECEDENT VILLAGER 4

| ITEM | PART NO. | DESCRIPTION | QTY |
|------|-----------|------------------------------------|-----|
| | | 1 2 3 4 | |
| 1 | 1010434 | Barrel - Plastic | 10 |
| 2 | 102298720 | M8-1.25x20 Taptite | 8 |
| 3 | 102298745 | M8-1.25x45 Taptite | 4 |
| 4 | 102531001 | Handrail Weldment, Rear Seat | 1 |
| 5 | 102531402 | Footdeck, 4-Passenger, Black | 1 |
| 6 | 102531601 | Floor mat, 4-Passenger, Rear | 1 |
| 7 | 102534201 | Bolt - Fl Hd, M8 X 95 | 4 |
| 8 | 102584701 | Weld, 4-pass Footdeck-a | 1 |
| 9 | 102584801 | Weld, 4-pass Footdeck-b | 1 |

1
G
E

1
G
E



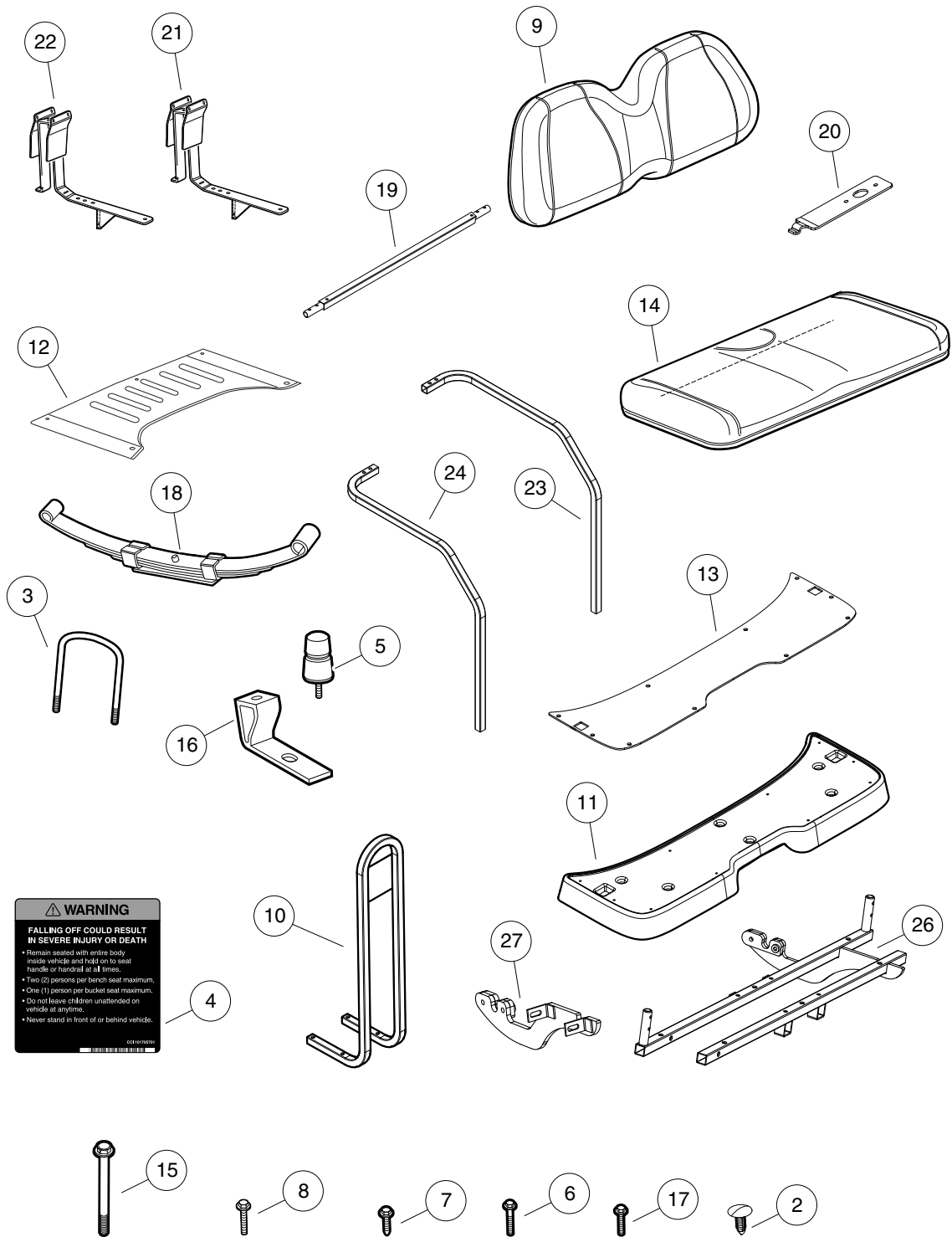
000505-001

FOUR PASSENGER CONVERSION KIT – BEIGE

| ITEM | PART NO. | DESCRIPTION | QTY |
|------|-----------|--|-----|
| | | 1 2 3 4 | |
| 1 | 102570901 | Kit-4-pass, Prec, Std, Beige (includes items 2 through 27) | 1 |
| 2 | 1010434 | Barrel - Plastic | 11 |
| 3 | 1014902 | U-Bolt | 2 |
| 4 | 101705701 | Decal, Warning | 1 |
| 5 | 1017235 | Bumper, Jounce | 2 |
| 6 | 102296530 | Screw - M6 X 1.0 X 30 Sems | 4 |
| 7 | 102298720 | M8-1.25x20 Taptite | 18 |
| 8 | 102298745 | M8-1.25x45 Taptite | 4 |
| 9 | 102503221 | Service Backrest Asm, Beige | 1 |
| 10 | 102531001 | Handrail Weldment, Rear Seat | 1 |
| 11 | 102531402 | Footdeck, 4-Passenger, Black | 1 |
| 12 | 102531501 | Cover, 4-pass Ns1 Underbody | 1 |
| 13 | 102531601 | Floormat, 4-Passenger, Rear | 1 |
| 14 | 102531701 | 4-Passenger Rear Seat Bottom, Beige | 1 |
| 15 | 102534201 | Bolt - Fl Hd, M8 X 95 | 4 |
| 16 | 102534801 | Jounce Bumper Bracket | 2 |
| 17 | 102541425 | Bolt-m6x1.0x25 Hex Flhd, Blk-l | 6 |
| 18 | 102544901 | Spril, Leaf, Rear | 2 |
| 19 | 102572201 | Connector Tube-hand Rail Asm | 1 |
| 20 | 102573101 | Bracket, 4-pass Lower Seat | 2 |
| 21 | 102574801 | Support-rh 4 Passenger Seat | 1 |
| 22 | 102574901 | Support-lh 4 Passenger Seat | 1 |
| 23 | 102575101 | Restraint- Rh 4-passenger Hip | 1 |
| 24 | 102575201 | Restraint- Lh 4-passenger Hip | 1 |
| 25 | N/A | Instructions-4 Pass Field | 1 |
| 26 | 102584701 | Weld, 4-pass Footdeck-a | 1 |
| 27 | 102584801 | Weld, 4-pass Footdeck-b | 1 |

1
G
E

1
G
E



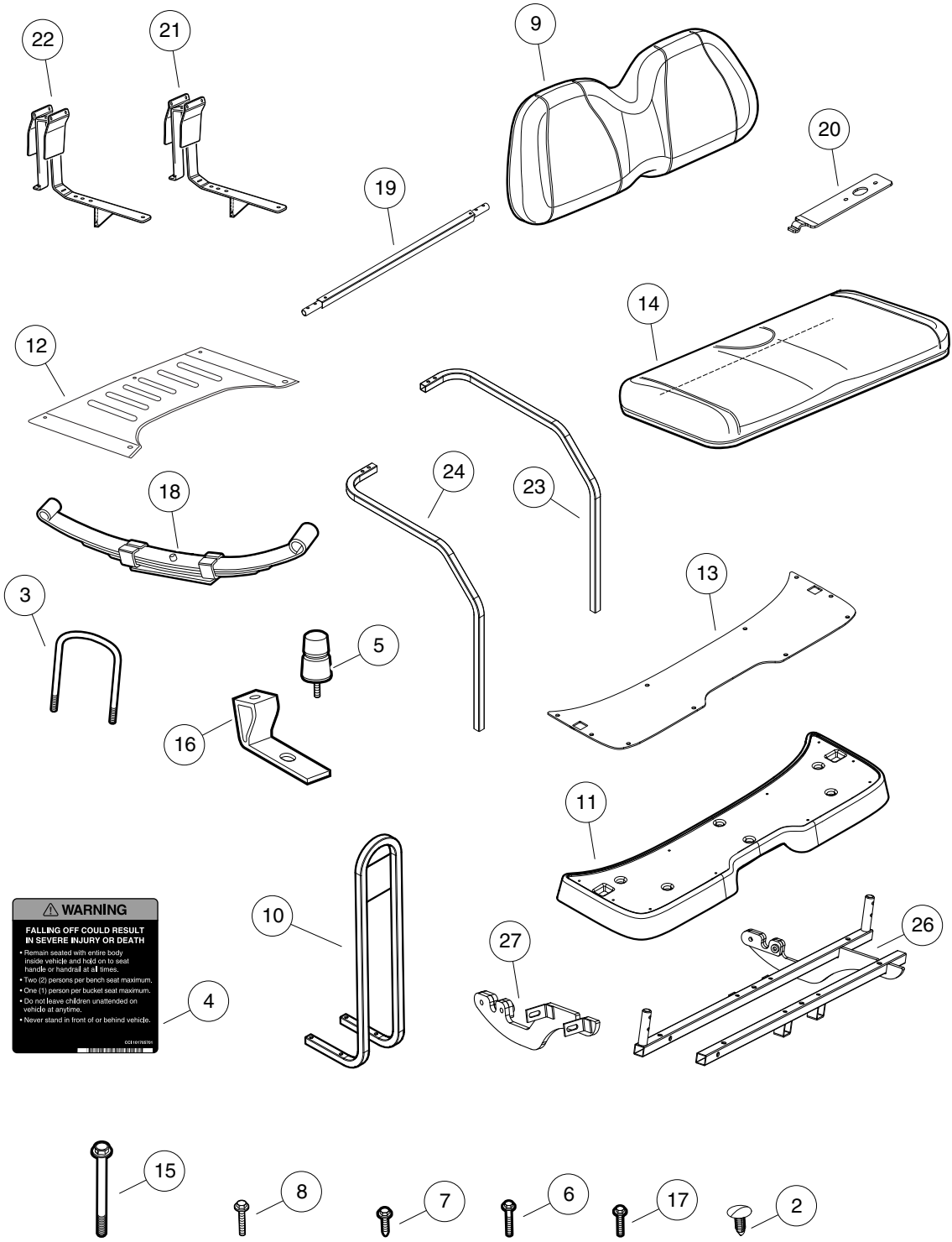
000505-001

FOUR PASSENGER CONVERSION KIT – WHITE

| ITEM | PART NO. | DESCRIPTION | QTY |
|------|-----------|--|-----|
| | | 1 2 3 4 | |
| 1 | 102570902 | Kit-4-pass, Prec, Std, White (includes items 2 through 27) | 1 |
| 2 | 1010434 | Barrel - Plastic | 11 |
| 3 | 1014902 | U-Bolt | 2 |
| 4 | 101705701 | Decal, Warning | 1 |
| 5 | 1017235 | Bumper, Jounce | 2 |
| 6 | 102296530 | Screw - M6 X 1.0 X 30 Sems | 4 |
| 7 | 102298720 | M8-1.25x20 Taptite | 18 |
| 8 | 102298745 | M8-1.25x45 Taptite | 4 |
| 9 | 102503222 | Service Backrest Asm, White | 1 |
| 10 | 102531001 | Handrail Weldment, Rear Seat | 1 |
| 11 | 102531402 | Footdeck, 4-Passenger, Black | 1 |
| 12 | 102531501 | Cover, 4-pass Ns1 Underbody | 1 |
| 13 | 102531601 | Floormat, 4-Passenger, Rear | 1 |
| 14 | 102531702 | 4-Passenger Rear Seat Bottom, White | 1 |
| 15 | 102534201 | Bolt - Fl Hd, M8 X 95 | 4 |
| 16 | 102534801 | Jounce Bumper Bracket | 2 |
| 17 | 102541425 | Bolt-m6x1.0x25 Hex Flhd, Blk-l | 6 |
| 18 | 102544901 | Spril, Leaf, Rear | 2 |
| 19 | 102572201 | Connector Tube-hand Rail Asm | 1 |
| 20 | 102573101 | Bracket, 4-pass Lower Seat | 2 |
| 21 | 102574801 | Support-rh 4 Passenger Seat | 1 |
| 22 | 102574901 | Support-lh 4 Passenger Seat | 1 |
| 23 | 102575101 | Restraint- Rh 4-passenger Hip | 1 |
| 24 | 102575201 | Restraint- Lh 4-passenger Hip | 1 |
| 25 | N/A | Instructions-4 Pass Field | 1 |
| 26 | 102584701 | Weld, 4-pass Footdeck-a | 1 |
| 27 | 102584801 | Weld, 4-pass Footdeck-b | 1 |

1
G
E

1
G
E



WARNING
FALLING OFF COULD RESULT IN SEVERE INJURY OR DEATH
 • Remain seated with entire body inside vehicle and hold on to seat handle or handrail at all times.
 • Two (2) persons per bench seat maximum.
 • One (1) person per bucket seat maximum.
 • Do not leave children unattended on vehicle at anytime.
 • Never stand in front of or behind vehicle.

000505-001

FOUR PASSENGER CONVERSION KIT – GRAY

| ITEM | PART NO. | DESCRIPTION | QTY |
|------|-----------|--|-----|
| | | 1 2 3 4 | |
| 1 | 102570904 | Kit, 4 Passenger, Precedent, Std, Gray (includes items 2 through 27) | 1 |
| 2 | 1010434 | Barrel - Plastic | 11 |
| 3 | 1014902 | U-Bolt | 2 |
| 4 | 101705701 | Decal, Warning | 1 |
| 5 | 1017235 | Bumper, Jounce | 2 |
| 6 | 102296530 | Screw - M6 X 1.0 X 30 Sems | 4 |
| 7 | 102298720 | M8-1.25x20 Taptite | 18 |
| 8 | 102298745 | M8-1.25x45 Taptite | 4 |
| 9 | 102503224 | Service Backrest Asm, Gray | 1 |
| 10 | 102531001 | Handrail Weldment, Rear Seat | 1 |
| 11 | 102531402 | Footdeck, 4-Passenger, Black | 1 |
| 12 | 102531501 | Cover, 4-pass Ns1 Underbody | 1 |
| 13 | 102531601 | Floormat, 4-Passenger, Rear | 1 |
| 14 | 102531704 | 4-Passenger Rear Seat Bottom, Gray | 1 |
| 15 | 102534201 | Bolt - Fl Hd, M8 X 95 | 4 |
| 16 | 102534801 | Jounce Bumper Bracket | 2 |
| 17 | 102541425 | Bolt-m6x1.0x25 Hex Flhd, Blk-l | 6 |
| 18 | 102544901 | Spril, Leaf, Rear | 2 |
| 19 | 102572201 | Connector Tube-hand Rail Asm | 1 |
| 20 | 102573101 | Bracket, 4-pass Lower Seat | 2 |
| 21 | 102574801 | Support-rh 4 Passenger Seat | 1 |
| 22 | 102574901 | Support-lh 4 Passenger Seat | 1 |
| 23 | 102575101 | Restraint- Rh 4-passenger Hip | 1 |
| 24 | 102575201 | Restraint- Lh 4-passenger Hip | 1 |
| 25 | N/A | Instructions-4 Pass Field | 1 |
| 26 | 102584701 | Weld, 4-pass Footdeck-a | 1 |
| 27 | 102584801 | Weld, 4-pass Footdeck-b | 1 |

1
G
E

1

G

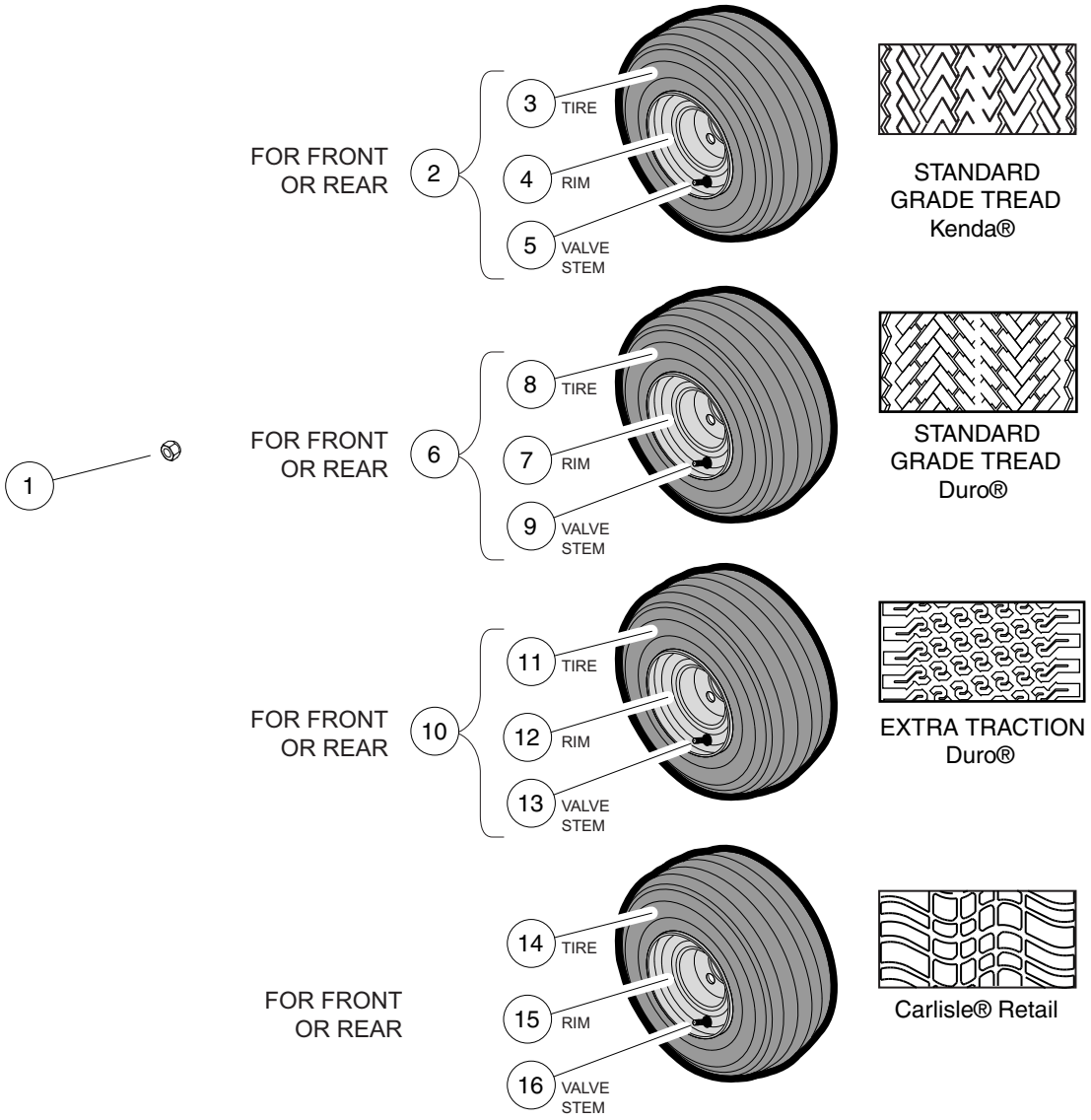
E

WHEEL AND TIRES

2

G

E

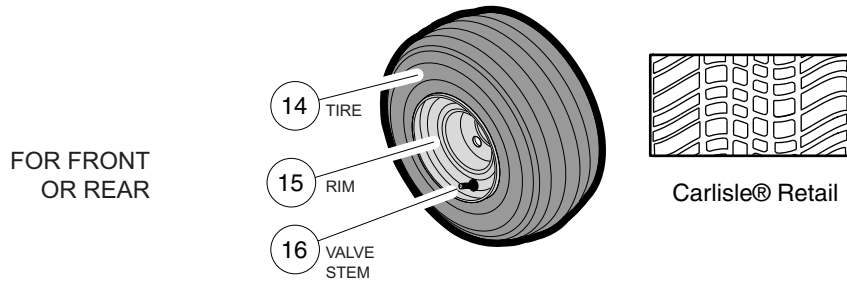
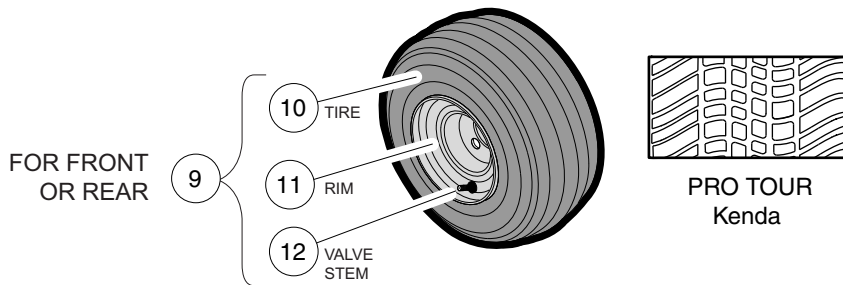
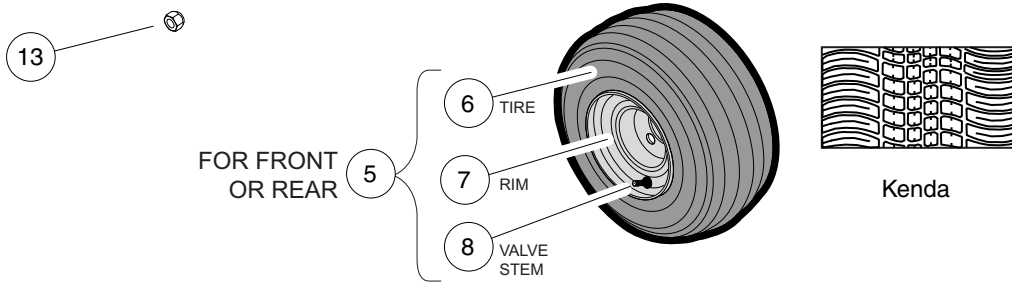
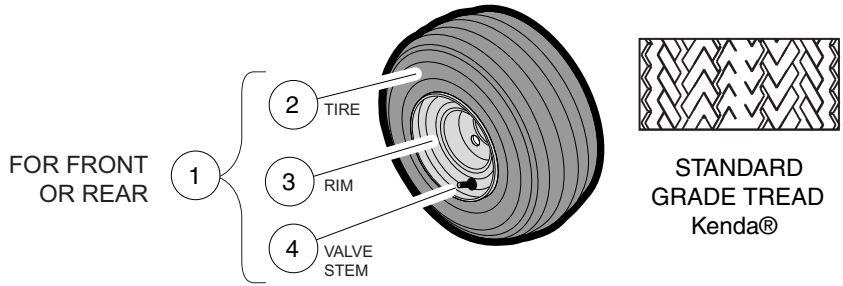


000474-003

WHEELS AND TIRES – 12

| ITEM | PART NO. | DESCRIPTION | QTY |
|------|-----------|--|-----|
| | | 1 2 3 4 | |
| 1 | 1010984 | .500-20 Unf Lug Nut | 16 |
| 2 | 102522601 | Asm-Kenda Std Gray (includes items 3 through 5) | 4 |
| 3 | 103458601 | Tire, Kenda Hole-n-1, Xt | 1 |
| 4 | 103459101 | Wheel Rim Asm, 8"x7", Silver | 1 |
| 5 | 7310 | Valve Stem | 1 |
| 6 | 102522604 | Asm-duro Std Gray (includes items 7 through 9) | 4 |
| 7 | 102557801 | Wheel Rim Asm, 8" X 7.000" | 1 |
| 8 | 102569304 | Duro 18 X 8.5 X 8, 4-Ply | 1 |
| 9 | 7310 | Valve Stem | 1 |
| 10 | 102522605 | Asm-duro Extra Tract Gray (includes items 11 through 13) | 4 |
| 11 | 101769302 | Tire, Unmounted Xtrac 18 x 8.50-8 | 1 |
| 12 | 102557801 | Wheel Rim Asm, 8" X 7.000" | 1 |
| 13 | 7310 | Valve Stem | 1 |
| 14 | 102569309 | Carlisle 18 X 8.50 R8 | 1 |
| 15 | 103459101 | Wheel Rim Asm, 8"x7", Silver | 1 |
| 16 | 7310 | Valve Stem | 1 |

2
G
E



000475-003

WHEELS AND TIRES – I2L

| ITEM | PART NO. | DESCRIPTION | QTY |
|------|-----------|---|-----|
| | | 1 2 3 4 | |
| 1 | 102522601 | Asm-Kenda Std Gray (includes items 2 through 4) | 4 |
| 2 | 103458601 | Tire, Kenda Hole-n-1, Xt | 1 |
| 3 | 103459101 | Wheel Rim Asm, 8"x7", Silver | 1 |
| 4 | 7310 | Valve Stem | 1 |
| 5 | 102522611 | Asm-kenda Retail, Radial (includes items 6 through 8) | 4 |
| 6 | 102569311 | Tire-kenda 18x8.5 R8, 4-ply | 1 |
| 7 | 103459101 | Wheel Rim Asm, 8"x7", Silver | 1 |
| 8 | 7310 | Valve Stem | 1 |
| 9 | 102540601 | Tire and Wheel, Aluminum (includes items 10 through 12) | 4 |
| 10 | 102556701 | Tire, Pro Tour, 205-50 X 10 | 1 |
| 11 | 102556801 | Wheel, ChampionsAluminum'..... | 1 |
| 12 | 7310 | Valve Stem | 1 |
| 13 | 102540701 | Lug Nut, 1/2" Closed End | 16 |
| 14 | 102569309 | Carlisle 18 X 8.50 R8 | 4 |
| 15 | 103459101 | Wheel Rim Asm, 8"x7", Silver | 1 |
| 16 | 7310 | Valve Stem | 1 |

2
G
E

2

G

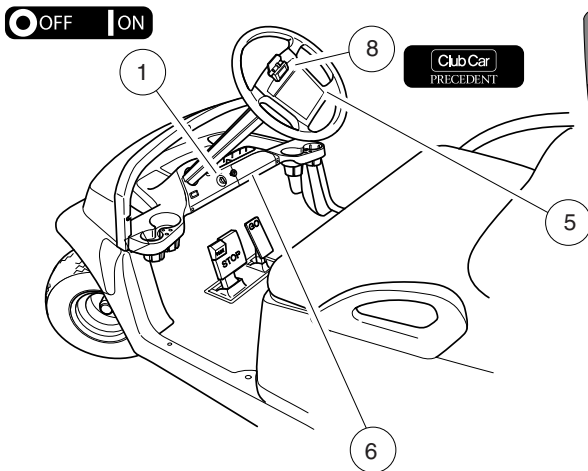
E

DECALS

3

G

E



OPERATING INSTRUCTIONS

- Read owner's manual and safety warnings located on dash panel prior to driving.
- Study and understand controls.

TO OPERATE

- Turn wheels to desired direction and ensure path is clear.
- Turn key to ON position.
- While stopped, place shift lever in desired position:
F – Forward N – Neutral R – Reverse (Buzzer will sound)
- Park brake will release and vehicle will start moving when accelerator pedal is pressed.
- Slowly press accelerator pedal to increase speed.
- To stop, release accelerator pedal and press brake pedal.

BEFORE LEAVING

- Press park brake pedal until it locks and holds vehicle.
- Place Forward/Reverse switch in NEUTRAL position.
- Turn key OFF and remove key when not in use.

CCI 102519201

WARNING

ROLLOVER OR FALLING OFF MAY CAUSE SERIOUS INJURY OR DEATH.

- Before using vehicle, read operating instructions.
- Do not start vehicle until all occupants are seated.
- Keep entire body inside vehicle while moving.
- Drive slowly in turns and straight up and down slopes.
- Use brakes to reduce speed when coasting downhill.
- Never operate under the influence of alcohol or drugs.
- For use by authorized persons in designated areas only.
- Remain seated while moving.
- Operate from driver side only.
- Never operate on public roads.
- Hold on to seat handle while moving.
- Two (2) persons per seat maximum.
- Never stand in front of or behind vehicle.
- Do not leave children unattended on vehicle.

CCI 102519301

WARNING

BATTERY EXPLOSION / FIRE CAN CAUSE SEVERE INJURY

- Do not contact positive (+) battery post or cable to frame.
- Disconnect negative (-) cable first.
- Negative (-) frame ground.

CCI 102517901

WARNING

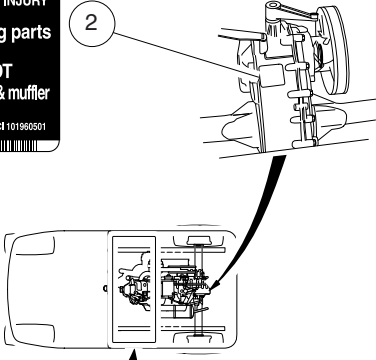
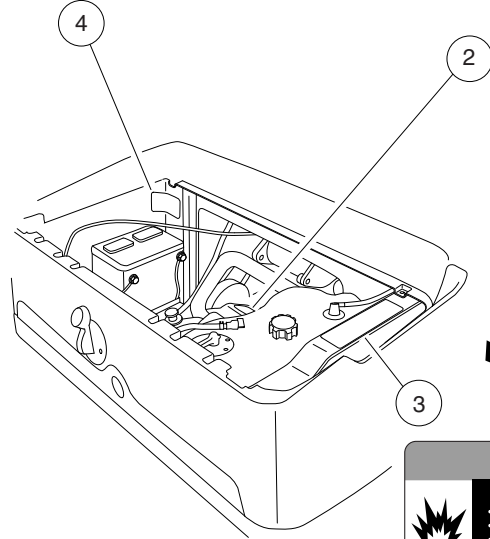
CAN CAUSE SEVERE INJURY

Rotating parts

HOT manifold & muffler

KEEP CLEAR

CCI 101960501



WARNING

GASOLINE EXPLOSION / FIRE CAN CAUSE SEVERE INJURY OR DEATH

- No sparks or open flame near fuel or fuel tank.
- No smoking near fuel or fuel tank.
- Stop engine and allow to cool before refueling.
- Turn fuel valve (—) on during operation.
- Turn fuel valve (—) off during storage or transport.

EXCESSIVE SPEED CAN CAUSE SEVERE INJURY OR DEATH

- Do not tamper with engine governor adjustment.

CCI 102517801

CE

000444-001

DECALS – GASOLINE VEHICLE

| ITEM | PART NO. | DESCRIPTION | QTY |
|------|-----------|--|-----|
| | | 1 2 3 4 | |
| 1 | 101825101 | Decal, Off/On | 1 |
| 2 | 101960501 | Decal, Rotating Parts/Hot Manifold | 2 |
| 3 | 102517801 | Decal, Warning - Gas and Govenor | 1 |
| 4 | 102517901 | Decal, Warning - Frame Ground | 1 |
| 5 | 102519201 | Decal, Operating Instr, Gas | 1 |
| 6 | 102519301 | Decal, Warning, Rollover | 1 |
| 7 | 102538101 | Decal, Operating Instructions | 1 |
| 8 | 102540901 | Decal, Club Car Clip | 1 |
| | | Note: Item 7 not shown. | |

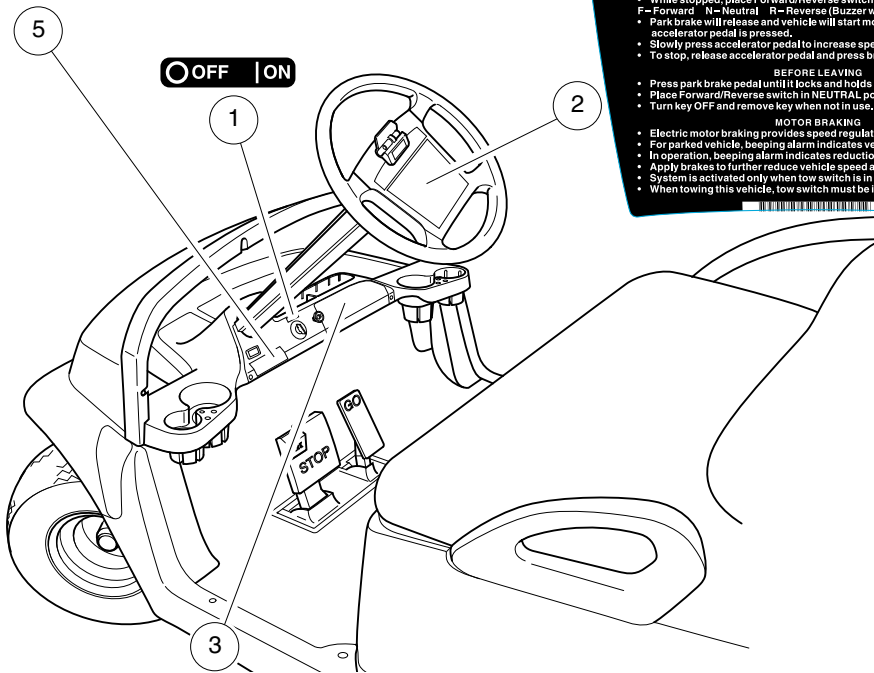
3
G
E

IMPORTANT NOTICE

This vehicle does not conform to ANSI Z130.1 - "Standard for Golf Cars - Safety and Performance Requirements" because it is capable of speeds in excess of 15 miles per hour. Exercise caution.

CCI 102555901

OFF ON



OPERATING INSTRUCTIONS

- Read owner's manual and dash-mounted safety warnings prior to driving.
- Study and understand controls.

TO OPERATE

- Turn wheels to desired direction and ensure path is clear.
- Turn key to ON position.
- While stopped, place Forward/Reverse switch in desired position: F=Forward N=Neutral R=Reverse (Buzzer will sound)
- Park brake will release and vehicle will start moving when accelerator pedal is pressed.
- Slowly press accelerator pedal to increase speed.
- To stop, release accelerator pedal and press brake pedal.

BEFORE LEAVING

- Press park brake pedal until it locks and holds vehicle.
- Place Forward/Reverse switch in NEUTRAL position.
- Turn key OFF and remove key when not in use.

MOTOR BRAKING

- Electric motor braking provides speed regulation functions.
- For parked vehicle, beeping alarm indicates vehicle roll away.
- In operation, beeping alarm indicates reduction in motor braking.
- Apply brakes to further reduce vehicle speed as required.
- System is activated only when tow switch is in the RUN position.
- When towing this vehicle, tow switch must be in the TOW position.

CCI 102518001

WARNING

ROLLOVER OR FALLING OFF MAY CAUSE SERIOUS INJURY OR DEATH.

- Before using vehicle, read operating instructions.
- Do not start vehicle until all occupants are seated.
- Keep entire body inside vehicle while moving.
- Drive slowly in turns and straight up and down slopes.
- Use brakes to reduce speed when coasting downhill.
- Never operate under the influence of alcohol or drugs.
- For use by authorized persons in designated areas only.
- Remain seated while moving.
- Operate from driver side only.
- Never operate on public roads.
- Hold on to seat handle while moving.
- Two (2) persons per seat maximum.
- Never stand in front of or behind vehicle.
- Do not leave children unattended on vehicle.

CCI 102519301

000441-002

DECALS – ELECTRIC VEHICLE

| ITEM | PART NO. | DESCRIPTION | QTY |
|------|-----------|-------------------------------------|-----|
| | | 1 2 3 4 | |
| 1 | 101825101 | Decal, Off/On | 1 |
| 2 | 102518001 | Decal, Operating Instr, Elec | 1 |
| 3 | 102519301 | Decal, Warning, Rollover | 1 |
| 4 | 102538201 | Decal, Operating Instructions | 1 |
| 5 | 102555901 | Decal, Private Speed, Prec | 1 |
| | | Note: Item 4 not shown. | |

3
G
E

WARNING

BATTERY EXPLOSION COULD RESULT IN SEVERE PERSONAL INJURY

- Place Run/Tow switch in TOW position before performing any of the following:
 - Disconnecting or connecting battery cables
 - Towing this vehicle
 - Extended storage
 - Servicing the vehicle
- Do not store items in battery compartment.
- Keep electronic components dry.
- Do not operate vehicle without this plate properly installed.
- See vehicle service manual before servicing.

RUN

TOW

CCI 103384601

CAUTION EXPOSURE TO WATER MAY DAMAGE ELECTRONIC COMPONENTS

- Do not direct water stream in the area of this plate.
- See vehicle service manual before servicing.

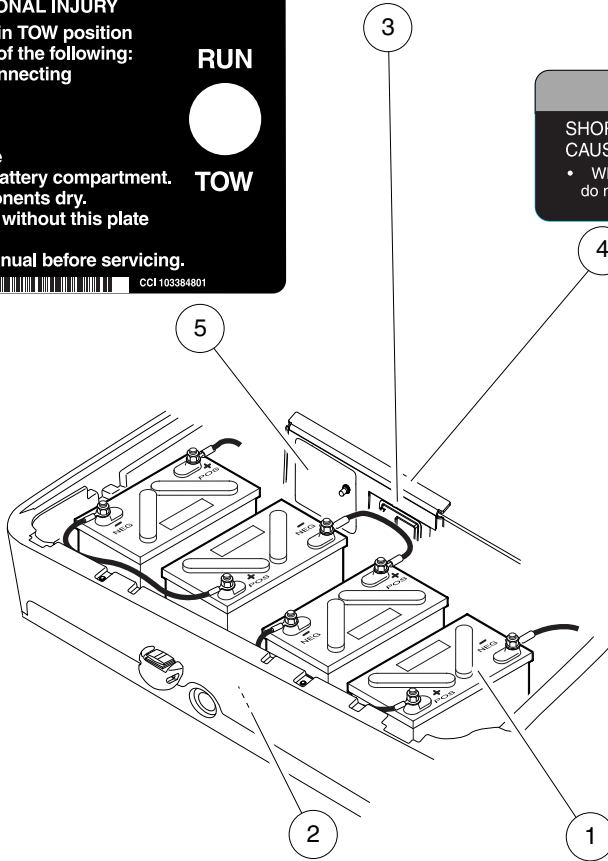
CCI 103384601

WARNING

SHORTING OF BATTERY TERMINALS CAN CAUSE PERSONAL INJURY OR DEATH.

- When removing component mounting plate, do not place plate directly on top of batteries.

103384701



WARNING

HEAVY LIFTING CAN CAUSE SEVERE PERSONAL INJURY

- The weight of each 12-volt battery is in excess of 80 lb (36.3 kg).
- Lift batteries only with the aid of an assistant.

CCI 103238501

DANGER!

HIGH VOLTAGE...
RISK OF SHOCK
DO NOT TOUCH UNINSULATED TERMINALS OR CONNECTORS.

NO SPARKS, FLAMES, SMOKING

SULFURIC ACID
CAN CAUSE BLINDNESS OR SEVERE BURNS

SHIELD EYES
EXPLOSIVE GASES CAN CAUSE BLINDNESS OR INJURY

FLUSH EYES IMMEDIATELY WITH WATER.
GET MEDICAL HELP FAST

SEE INSTALLATION, MAINTENANCE AND OPERATION INSTRUCTIONS
VENTILATE WELL WHEN IN AN ENCLOSED SPACE AND WHEN CHARGING.
KEEP OUT OF REACH OF CHILDREN
DO NOT TIP

CCI 102591901

000441-004

DECALS – ELECTRIC VEHICLE, CONTINUED

| ITEM | PART NO. | DESCRIPTION | QTY |
|------|-----------|---|-----|
| | | 1 2 3 4 | |
| 1 | 102591901 | Warning Tag, Battery, SPWS (For SPWS Accessory) | 4 |
| 2 | 103238501 | Decal, Warning -battery Weight | 1 |
| 3 | 103384601 | Decal-water Exposure | 1 |
| 4 | 103384701 | Decal-warning, Short | 1 |
| 5 | 103384801 | Decal-warning, Run Tow | 1 |

3
G
E

3

G

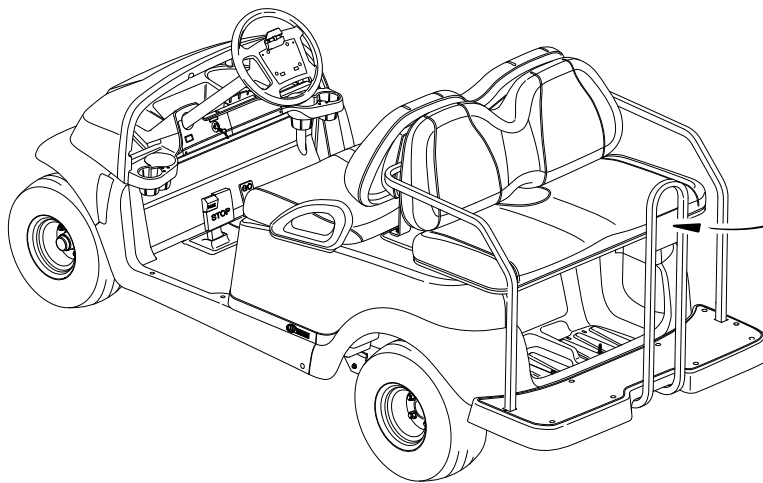
E

 **WARNING**

**FALLING OFF COULD RESULT
IN SEVERE INJURY OR DEATH**

- Remain seated with entire body inside vehicle and hold on to seat handle or handrail at all times.
- Two (2) persons per bench seat maximum.
- One (1) person per bucket seat maximum.
- Do not leave children unattended on vehicle at anytime.
- Never stand in front of or behind vehicle.

CCI 101705701



000495-001

DECAL – PRECEDENT VILLAGER 4

| ITEM | PART NO. | DESCRIPTION | QTY |
|------|-----------|--|-----|
| 1 | 101705701 | <div style="display: flex; justify-content: space-between; margin-bottom: 5px;"> 1 2 3 4 </div> Decal, Warning | 4 |

3

G

E

3

G

E

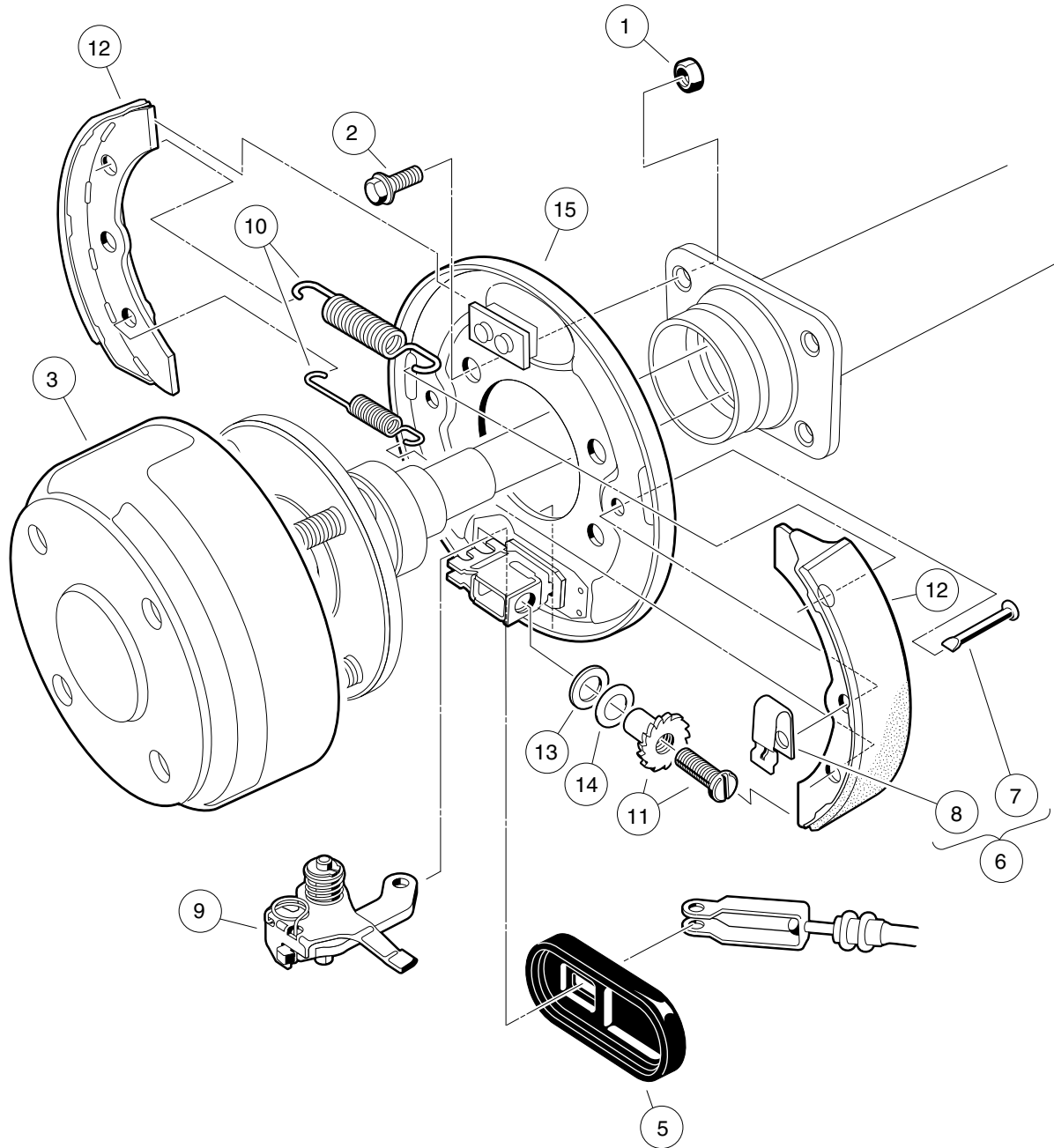
BRAKES AND PEDAL GROUP ASSEMBLIES

4

G

E

4
G
E



000186-001

REAR BRAKE ASSEMBLY, SELF-ADJUSTING

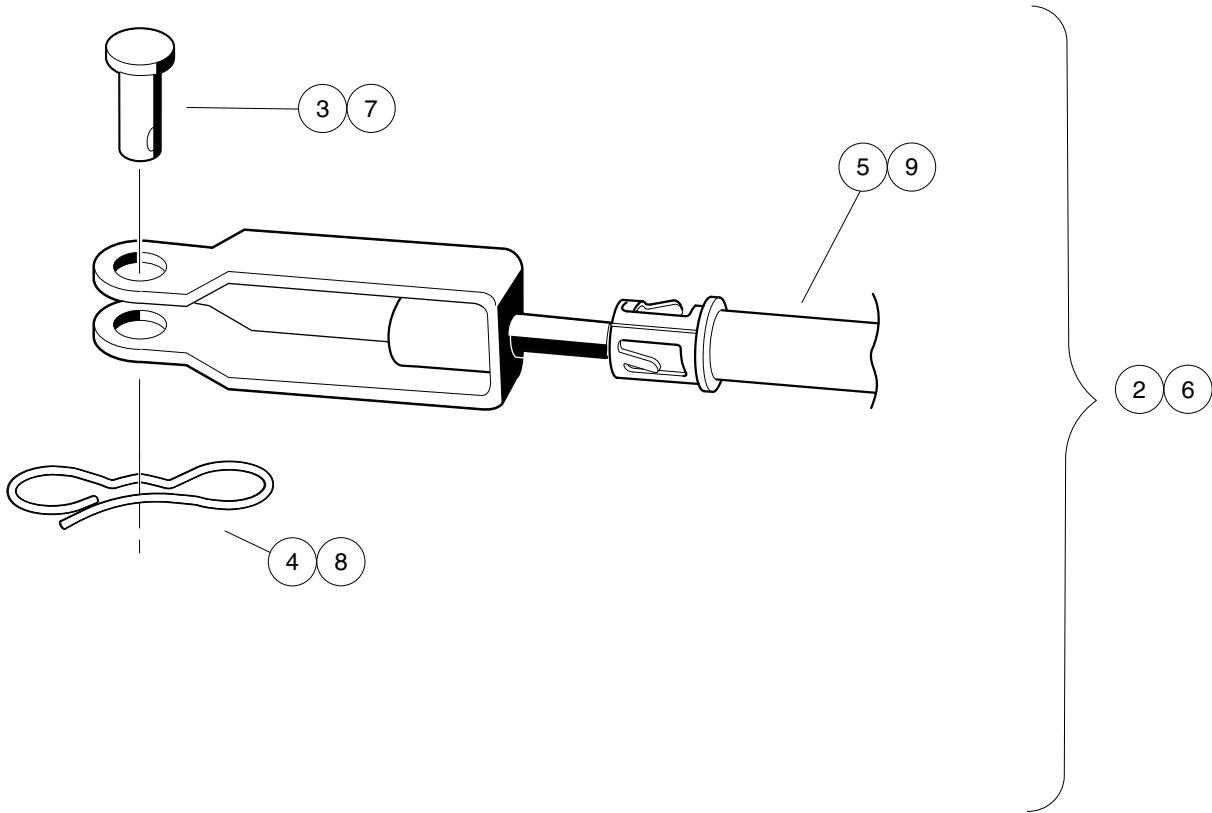
| ITEM | PART NO. | DESCRIPTION | QTY |
|--|-----------|---|-----|
| | | 1 2 3 4 | |
| 1 | 1013924 | Nut, 5/16-24 Hex Head Cone | 8 |
| 2 | 1014153 | Bolt, Brake Cluster Mounting | 8 |
| 3 | 101791101 | Drum without Center Hole, Brake | 2 |
| 4 | 101823301 | Cluster Assembly, Right (Passenger) Brake (includes items 5 through 15) | 1 |
| 5 | 1010850 | Dust Cover | 1 |
| 6 | 1011466 | Kit, Shoe Retainer (includes items 7 and 8) | 1 |
| 7 | N/A | Pin | 2 |
| 8 | N/A | Shoe Clamp Spring | 2 |
| 9 | 101815501 | Lever Assembly, Self-Adjusting Brake, Right (Passenger) | 1 |
| 10 | 101816301 | Package, Brake Spring, Self-Adjusting | 1 |
| 11 | 101816501 | Adj Mechanism, S.A. Brakes, Right (Passenger) | 1 |
| 12 | 101823201 | Package, Brake Shoe, Self-Adjusting | 1 |
| 13 | 101823801 | Plate, Washer, Brake, Self-Adjusting | 1 |
| 14 | 101823901 | Washer, Brake, Self-Adjusting | 1 |
| 15 | 101824001 | Plate Assembly, Right Brake Backing | 1 |
| 16 | 101823302 | Cluster Assembly, Left Brake (includes items 17 through 27) | 1 |
| 17 | 1010850 | Dust Cover | 1 |
| 18 | 1011466 | Kit, Shoe Retainer (includes items 19 and 20) | 1 |
| 19 | N/A | Pin | 2 |
| 20 | N/A | Shoe Clamp Spring | 2 |
| 21 | 101815502 | Lever Assembly, Self-Adjusting Brake, Left | 1 |
| 22 | 101816301 | Package, Brake Spring, Self-Adjusting | 1 |
| 23 | 101816502 | Adjusting Mechanism, Self-Adjusting Brake, Left | 1 |
| 24 | 101823201 | Package, Brake Shoe, Self-Adjusting | 1 |
| 25 | 101823801 | Plate, Washer, Brake, Self-Adjusting | 1 |
| 26 | 101823901 | Washer, Brake, Self-Adjusting | 1 |
| 27 | 101824002 | Plate Assembly, Left Brake Backing | 1 |
| <p>Note: Driver-side brake cluster not shown. Components have a similar appearance to passenger-side brake cluster components.</p> | | | |

4
G
E

4

G

E



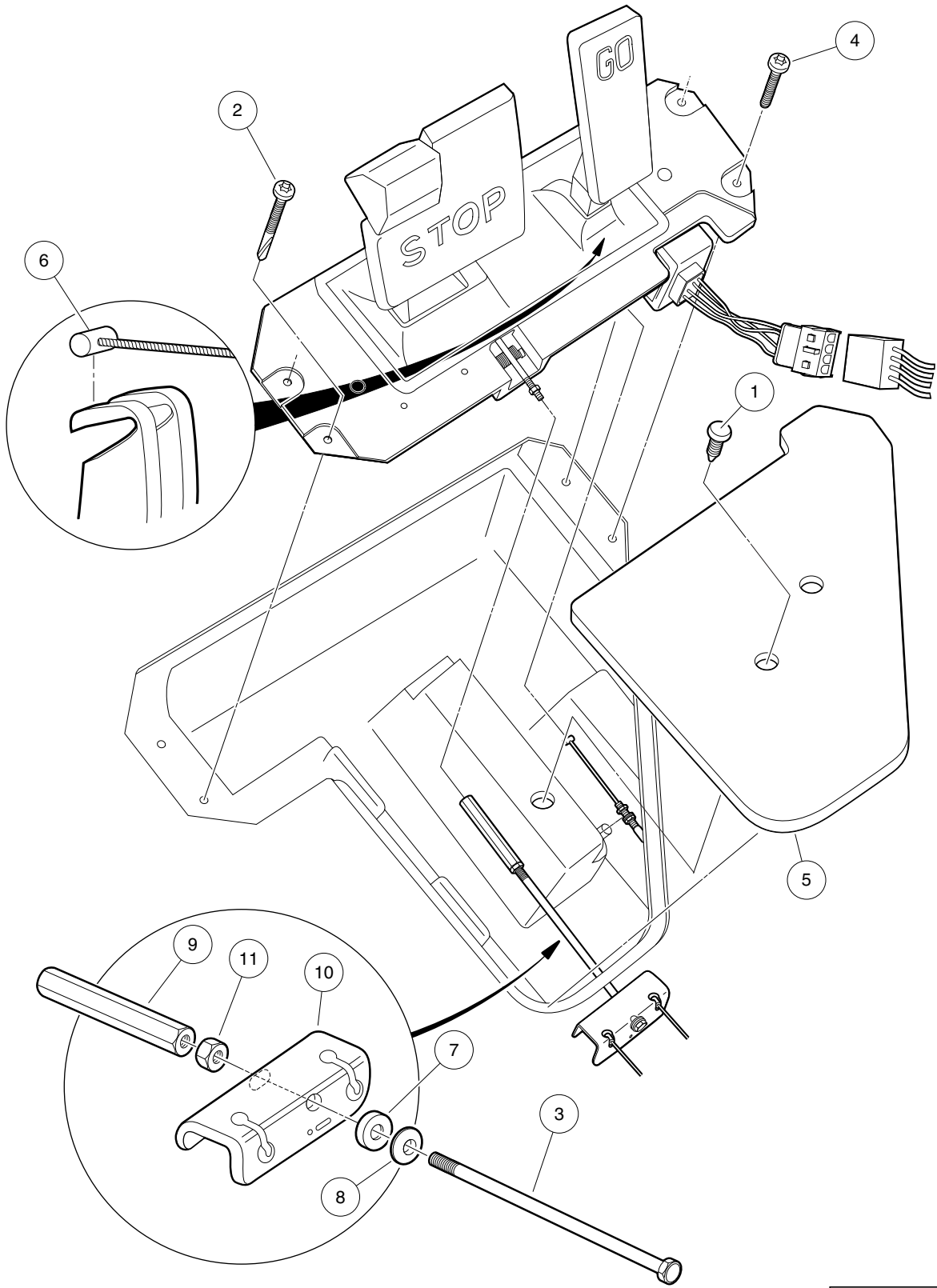
000467-001

BRAKE CABLES

| ITEM | PART NO. | DESCRIPTION | QTY |
|------|-----------|--|-----|
| | | 1 2 3 4 | |
| 1 | 103528801 | Kit, Brake Cable, Prec Upgrade (includes items 2 through 11) | 1 |
| 2 | 103528701 | Kit, Brake Cable, Prec, Rh (includes items 3 through 5) | 1 |
| 3 | 1010829 | Pin, Clevis, 5/16 X 3/4 | 1 |
| 4 | 102292801 | Pin, Bow Tie Locking - .072 | 1 |
| 5 | 103528501 | Cable, Brake, Prec, Right | 1 |
| 6 | 103528702 | Kit, Brake Cable, Prec, Lh (includes items 7 through 9) | 1 |
| 7 | 1010829 | Pin, Clevis, 5/16 X 3/4 | 1 |
| 8 | 102292801 | Pin, Bow Tie Locking - .072 | 1 |
| 9 | 103528601 | Cable, Brake, Prec, Left | 1 |
| 10 | 103535001 | Bracket, Equalizer, Prec Awd | 1 |
| 11 | N/A | Instr, Prec Brake Cable Kit | 1 |

4
G
E

4
G
E



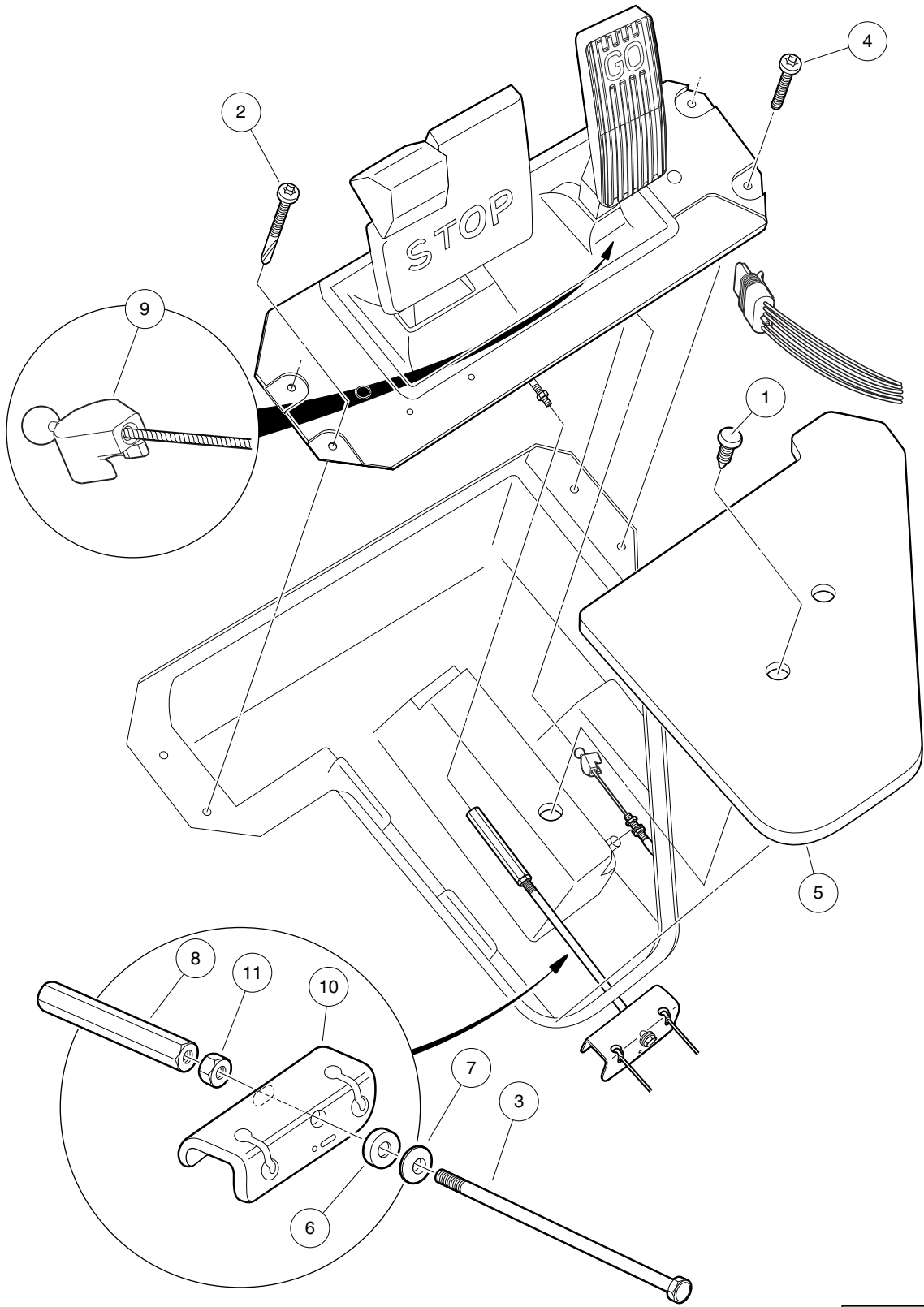
000443-001

PEDAL GROUP CONNECTIONS – GASOLINE VEHICLE, GENERATION 1

| ITEM | PART NO. | DESCRIPTION | QTY |
|------|-----------|--------------------------------------|-----|
| | | 1 2 3 4 | |
| 1 | 1010434 | Barrel - Plastic | 1 |
| 2 | 102292201 | Screw-1/4-20x2.20 Tx Pn Hd Sd | 2 |
| 3 | 102297901 | Bolt, 5/16-18 X 7.375, Hex | 1 |
| 4 | 102298030 | Screw, K80x30, Torx Pn Hd Pt | 2 |
| 5 | 102500801 | Plate - Floor Cover | 1 |
| 6 | 102513102 | Cable, Acc, Snap-in | 1 |
| 7 | 102551901 | Washer, 5/16, Self Comp, Cup | 1 |
| 8 | 102552001 | Washer, 5/16, Self Comp, Cone | 1 |
| 9 | 102594301 | Nut, 5/16-18, Hex Adjusting -l | 1 |
| 10 | 103535001 | Bracket, Equalizer, Prec Awd | 1 |
| 11 | 1242 | Nut, 5/16-18 Hex | 1 |

4
G
E

4
G
E



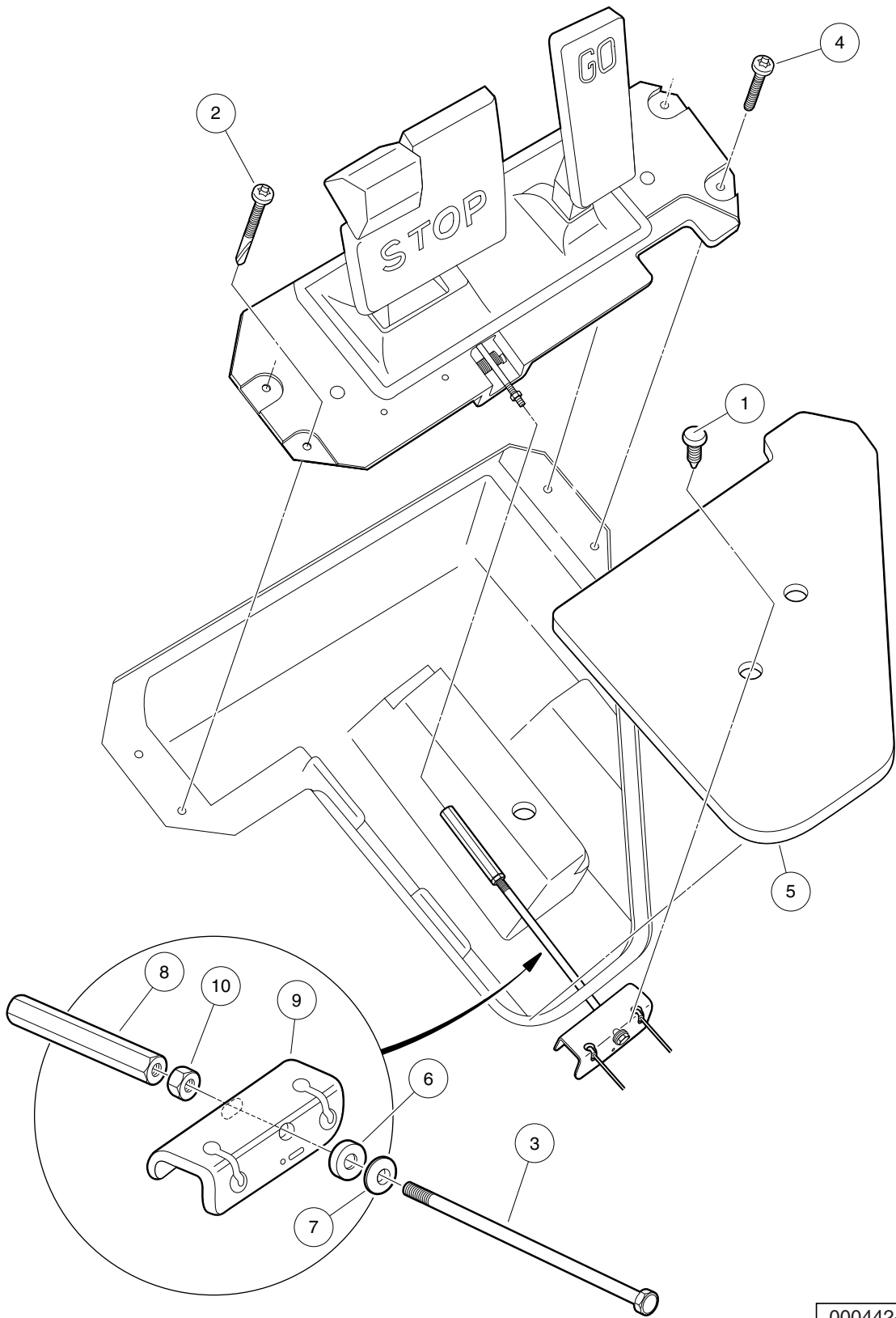
000443-003

PEDAL GROUP CONNECTIONS – GASOLINE VEHICLE, GENERATION 2

| ITEM | PART NO. | DESCRIPTION | QTY |
|------|-----------|--------------------------------------|-----|
| | | 1 2 3 4 | |
| 1 | 1010434 | Barrel - Plastic | 1 |
| 2 | 102292201 | Screw-1/4-20x2.20 Tx Pn Hd Sd | 2 |
| 3 | 102297901 | Bolt, 5/16-18 X 7.375, Hex | 1 |
| 4 | 102298030 | Screw, K80x30, Torx Pn Hd Pt | 2 |
| 5 | 102500801 | Plate - Floor Cover | 1 |
| 6 | 102551901 | Washer, 5/16, Self Comp, Cup | 1 |
| 7 | 102552001 | Washer, 5/16, Self Comp, Cone | 1 |
| 8 | 102594301 | Nut, 5/16-18, Hex Adjusting -l | 1 |
| 9 | 102595101 | Cable, Acc, Snap-in | 1 |
| 10 | 103535001 | Bracket, Equalizer, Prec Awd | 1 |
| 11 | 103744901 | Adapter, Gen 2 Pedal, Mcor | 1 |
| 12 | 103745001 | Drive Bar, Gen 2 Pedal, Mcor | 1 |
| 13 | 1242 | Nut, 5/16-18 Hex | 1 |

4
G
E

4
G
E



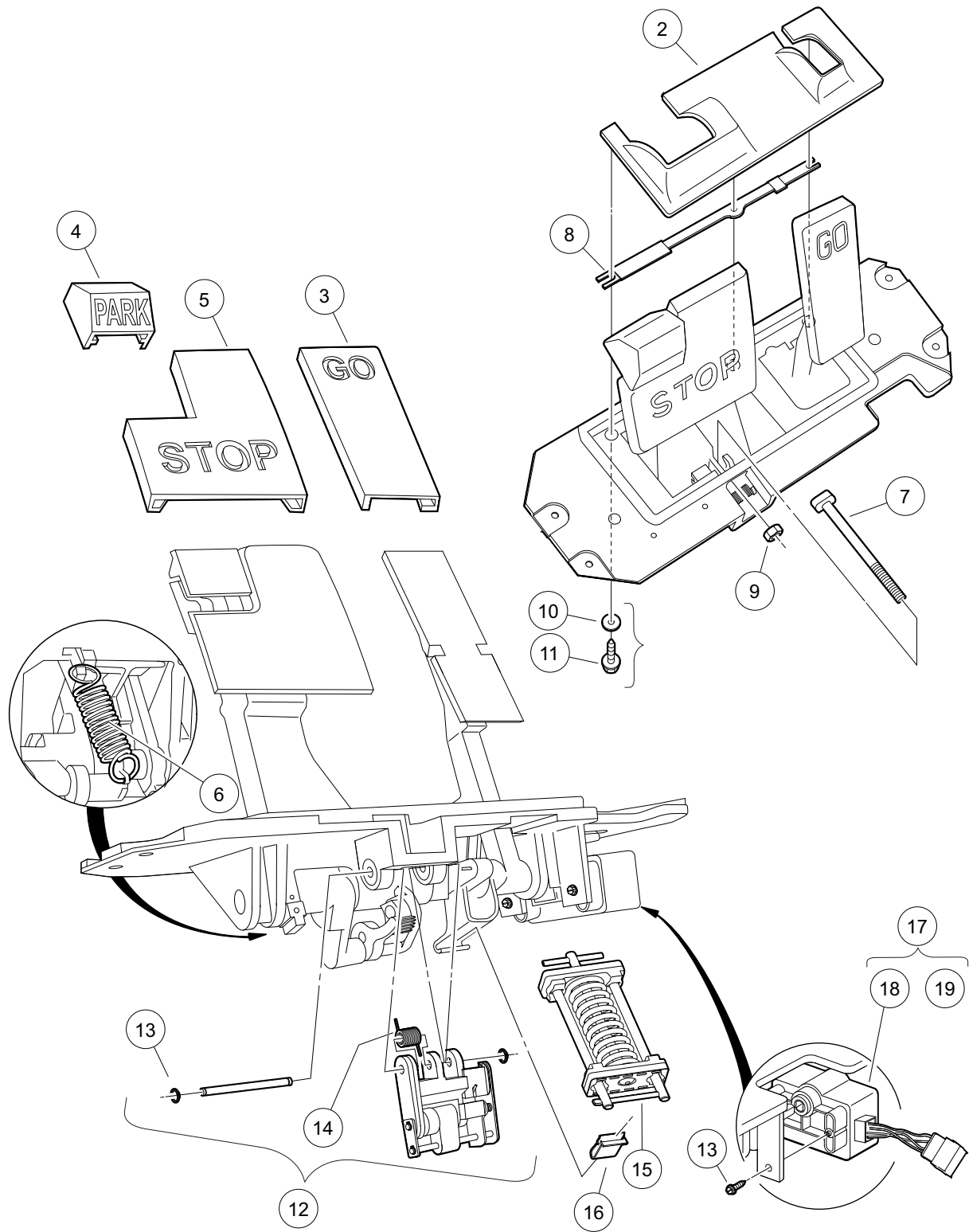
000442-001

PEDAL GROUP CONNECTIONS – ELECTRIC VEHICLE

| ITEM | PART NO. | DESCRIPTION | QTY |
|------|-----------|--------------------------------------|-----|
| | | 1 2 3 4 | |
| 1 | 1010434 | Barrel - Plastic | 1 |
| 2 | 102292201 | Screw-1/4-20x2.20 Tx Pn Hd Sd | 2 |
| 3 | 102297901 | Bolt, 5/16-18 X 7.375, Hex | 1 |
| 4 | 102298030 | Screw, K80x30, Torx Pn Hd Pt | 2 |
| 5 | 102500801 | Plate - Floor Cover | 1 |
| 6 | 102551901 | Washer, 5/16, Self Comp, Cup | 1 |
| 7 | 102552001 | Washer, 5/16, Self Comp, Cone | 1 |
| 8 | 102594301 | Nut, 5/16-18, Hex Adjusting -l | 1 |
| 9 | 103535001 | Bracket, Equalizer, Prec Awd | 1 |
| 10 | 103744901 | Adapter, Gen 2 Pedal, Mcor | 1 |
| 11 | 103745001 | Drive Bar, Gen 2 Pedal, Mcor | 1 |
| 12 | 1242 | Nut, 5/16-18 Hex | 1 |

4
G
E

4
G
E



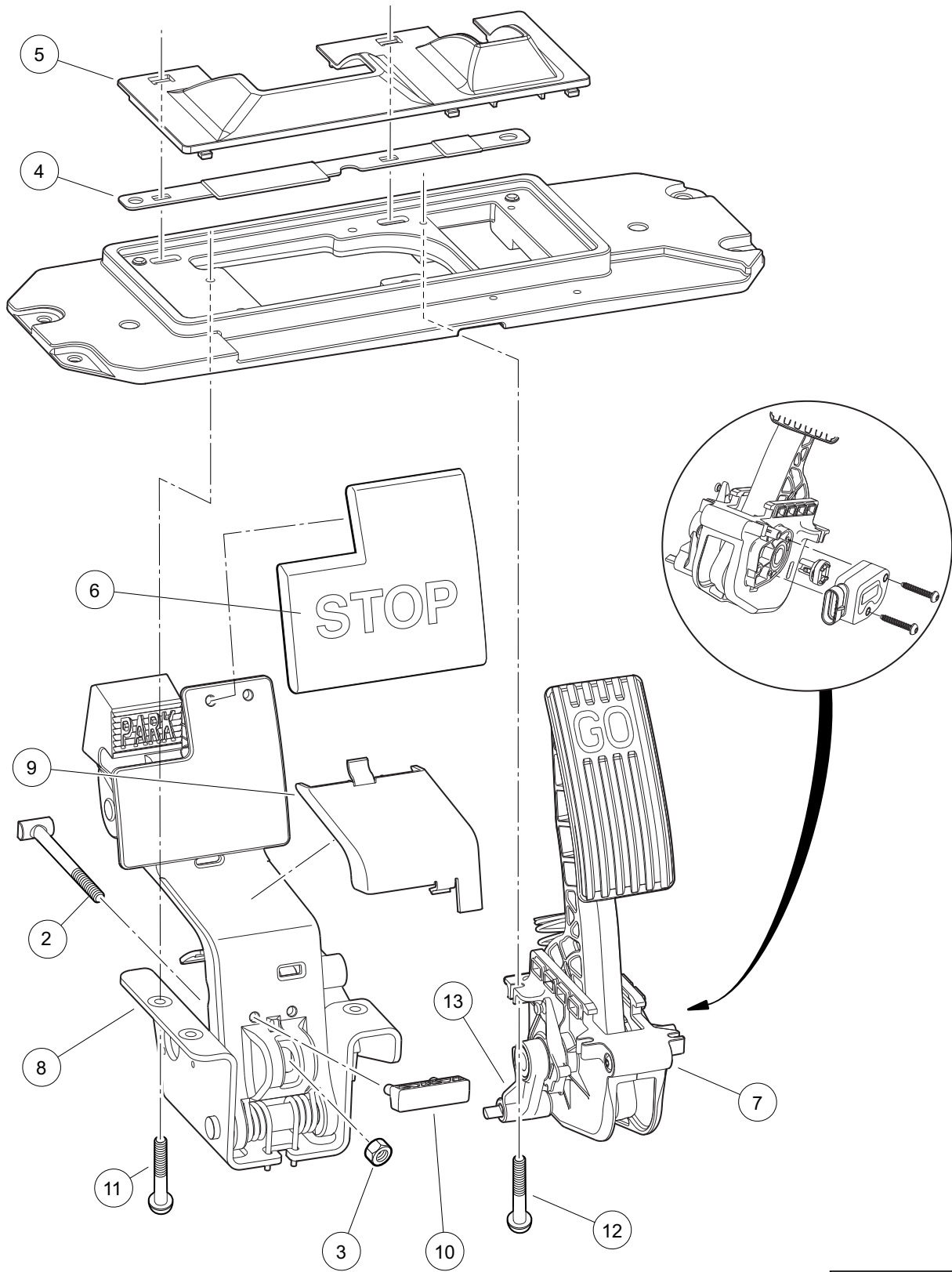
000487-001

PEDAL GROUP COMPONENTS – GASOLINE VEHICLE, GENERATION 1

| ITEM | PART NO. | DESCRIPTION | QTY |
|--|-----------|---|-----|
| | | 1 2 3 4 | |
| 1 | 102500101 | Asm, Pedal Box Gas (includes items 2 through 17) | 1 |
| 2 | 102558801 | Shield, Debris | 1 |
| 3 | 102558901 | Pad, Pedal, Accelerator | 1 |
| 4 | 102559001 | Pad, Pedal, Park | 1 |
| 5 | 102559101 | Pad, Pedal, Brake | 1 |
| 6 | 102559301 | Spring, Brake, Return | 1 |
| 7 | 102559401 | Rod, Brake | 1 |
| 8 | 102559601 | Shield, Debris, Aux | 1 |
| 9 | 102559701 | Nut, Brake Rod | 1 |
| 10 | 102563001 | Washer, Std Fender, #10 | 3 |
| 11 | 102563101 | Screw, Type A, #10 | 5 |
| 12 | N/A | Assembly Pawl Lock Headed Pins (includes items 13 and 14) | 1 |
| 13 | 102587501 | Clip, Push, Pawl | 2 |
| 14 | 103344301 | Spring, Pawl Return | 1 |
| 15 | 102588701 | Kit, Pedal Spring | 1 |
| 16 | 102588901 | Clip, U | 1 |
| 17 | 103327701 | Kit, Gcor (includes items 18 and 19) | 1 |
| 18 | 102528601 | GCOR, Prec | 1 |
| 19 | N/A | Instr, Kit Gcor/mcor | 1 |
| <p>Note: Replace pedal box assembly with Generation 2 pedal box assembly (CCI P/N 102595021). Generation 2 pedal box assembly will also require new accelerator pedal cable (CCI P/N 102595101).</p> | | | |

4
G
E

4
G
E



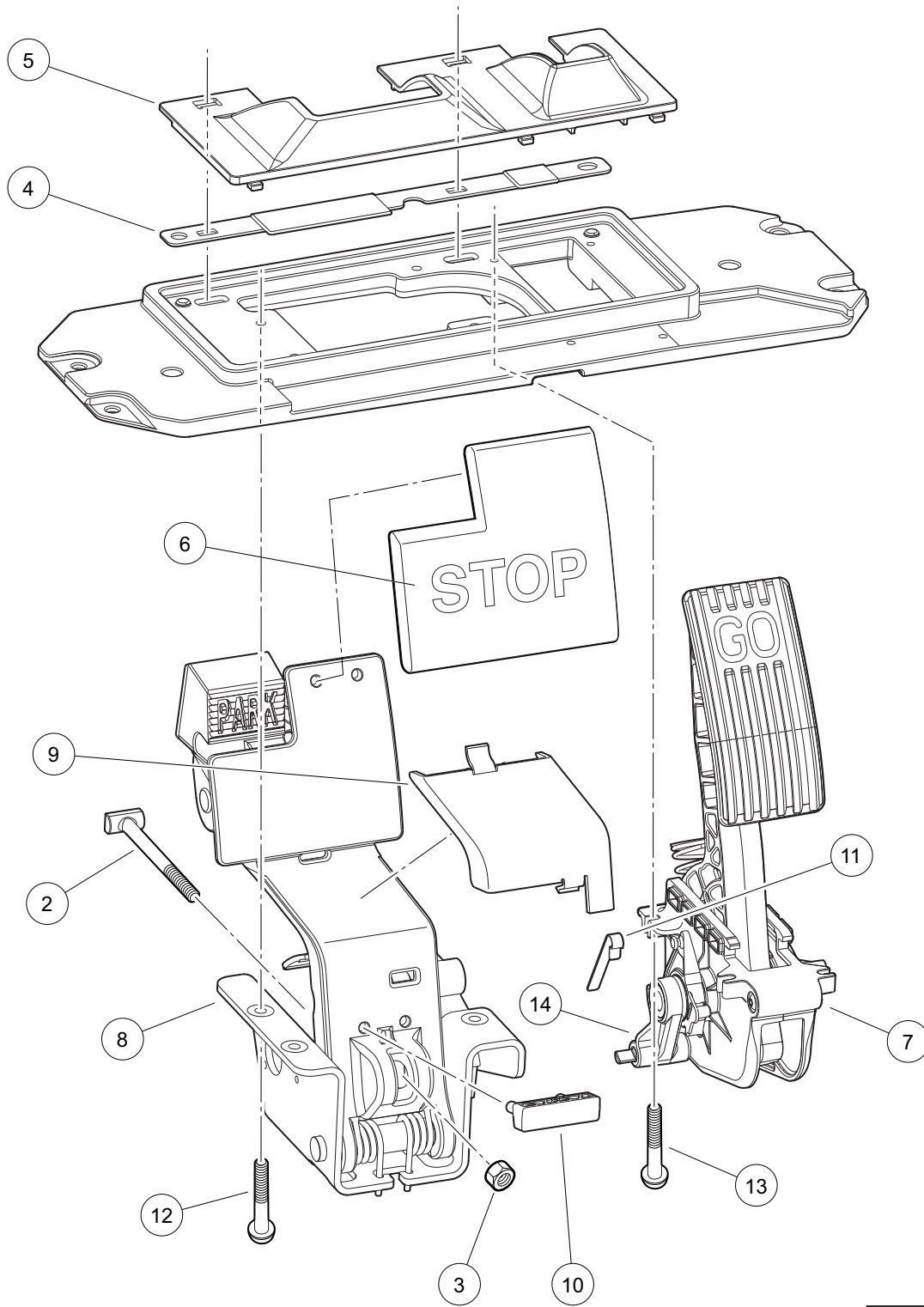
000487-003

PEDAL GROUP COMPONENTS – GASOLINE VEHICLE, GENERATION 2

| ITEM | PART NO. | DESCRIPTION | QTY |
|---|-----------|---|-----|
| | | 1 2 3 4 | |
| 1 | 102595015 | Pedal Assy Gas Triac Sp (includes items 2 through 13) | 1 |
| 2 | 102559401 | Rod, Brake | 1 |
| 3 | 102559701 | Nut, Brake Rod | 1 |
| 4 | N/A | Shield, Debris Aux | 1 |
| 5 | N/A | Shield, Debris Primary | 1 |
| 6 | 102595401 | Pad, Brake | 1 |
| 7 | 102595502 | Throttle, Gas, Triac | 1 |
| 8 | 102595701 | Assy, Brake (includes items 9 and 10) | 1 |
| 9 | 102595201 | Cover, Brake | 1 |
| 10 | 102595301 | Upstop, Brake | 1 |
| 11 | 102595901 | Screw, M6x1.0x17 Ph, Taptite | 4 |
| 12 | 102596001 | Screw, M5x0.8x18 Ph, Taptite | 4 |
| 13 | 103777601 | Asm, G2, Anod Park Brake Rel | 1 |
| <p>Note: Generation 2 pedal box assembly will also require new accelerator pedal cable (CCI P/N 102595101).</p> | | | |

4
G
E

4
G
E



000487-002

PEDAL GROUP COMPONENTS – ELECTRIC VEHICLE

| ITEM | PART NO. | DESCRIPTION | QTY |
|------|-----------|--|-----|
| | | 1 2 3 4 | |
| 1 | 102595012 | Pedal Assy Elec Sp (includes items 2 through 14) | 1 |
| 2 | 102559401 | Rod, Brake | 1 |
| 3 | 102559701 | Nut, Brake Rod | 1 |
| 4 | N/A | Shield, Debris Aux | 1 |
| 5 | N/A | Shield, Debris Primary | 1 |
| 6 | 102595401 | Pad, Brake | 1 |
| 7 | 102595601 | Throttle, Elec | 1 |
| 8 | 102595701 | Assy, Brake (includes items 9 and 10) | 1 |
| 9 | 102595201 | Cover, Brake | 1 |
| 10 | 102595301 | Upstop, Brake | 1 |
| 11 | 102595801 | Leaf Spring, Pedal | 1 |
| 12 | 102595901 | Screw, M6x1.0x17 Ph, Taptite | 4 |
| 13 | 102596001 | Screw, M5x0.8x18 Ph, Taptite | 4 |
| 14 | 103777601 | Asm, G2, Anod Park Brake Rel | 1 |

4
G
E

4

G

E

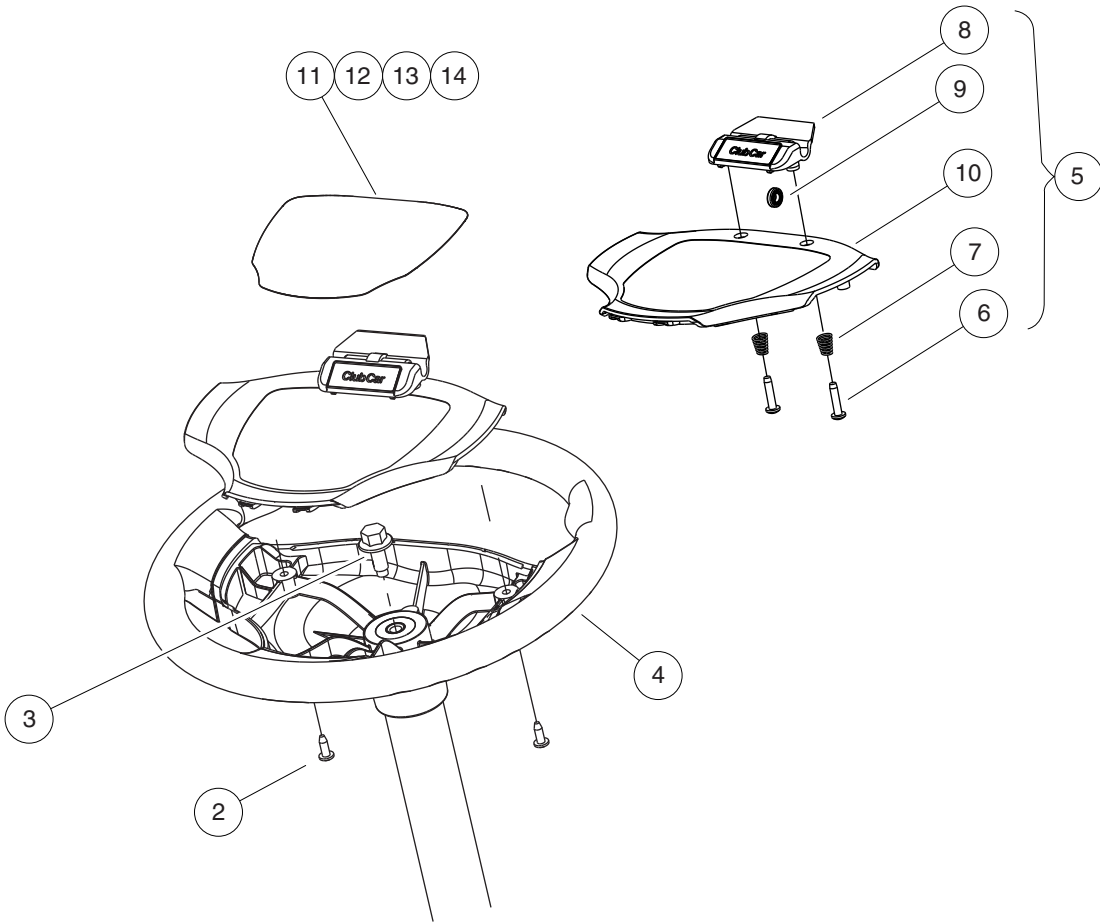
STEERING, FRONT AND REAR SUSPENSION

5

G

E

5
G
E

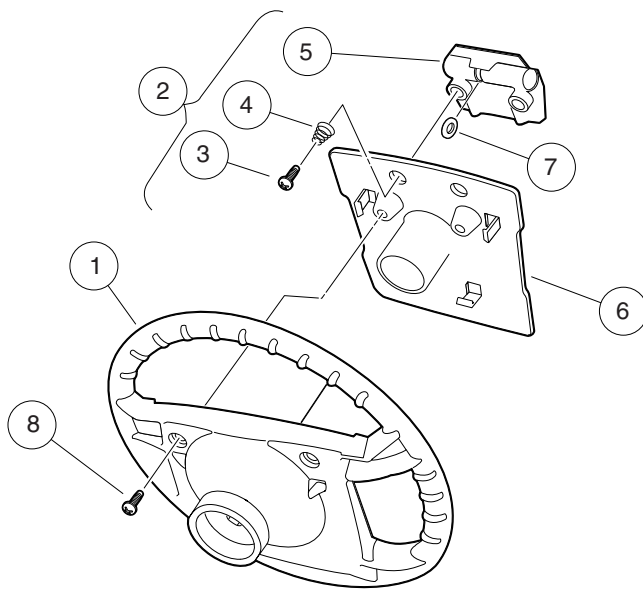


000470-002

STEERING WHEEL – I2L

| ITEM | PART NO. | DESCRIPTION | QTY |
|------|-----------|--|-----|
| | | 1 2 3 4 | |
| 1 | N/A | Kit, Hex, Steering Wheel (includes items 2 through 15) | 1 |
| 2 | 1016663 | Screw, #12-14 X 0.625 | 2 |
| 3 | 102290120 | Bolt, M10 X 20 Hex Washer Hd | 1 |
| 4 | N/A | Steering Wheel, Soft Hex | 1 |
| 5 | N/A | Asm, Scorecard, Clip (includes items 6 through 10) | 1 |
| 6 | 1012565 | Screw, #12 Phillips Round Head | 2 |
| 7 | 1012566 | Tapered Compression Spring | 2 |
| 8 | 1016154 | Clip, Scorecard | 1 |
| 9 | 1016214 | Pencil Grip | 1 |
| 10 | N/A | Cover, Steering Wheel, Clip | 1 |
| 11 | N/A | Decal, Op Instr, Ele | 1 |
| 12 | N/A | Decal, Op Instr, Gas Ps | 1 |
| 13 | N/A | Decal, Op Instr, Gas Ks | 1 |
| 14 | N/A | Decal, Op Instr, Limo Ab | 1 |
| 15 | N/A | Kit Instr, Steering Wheel | 1 |

5
G
E

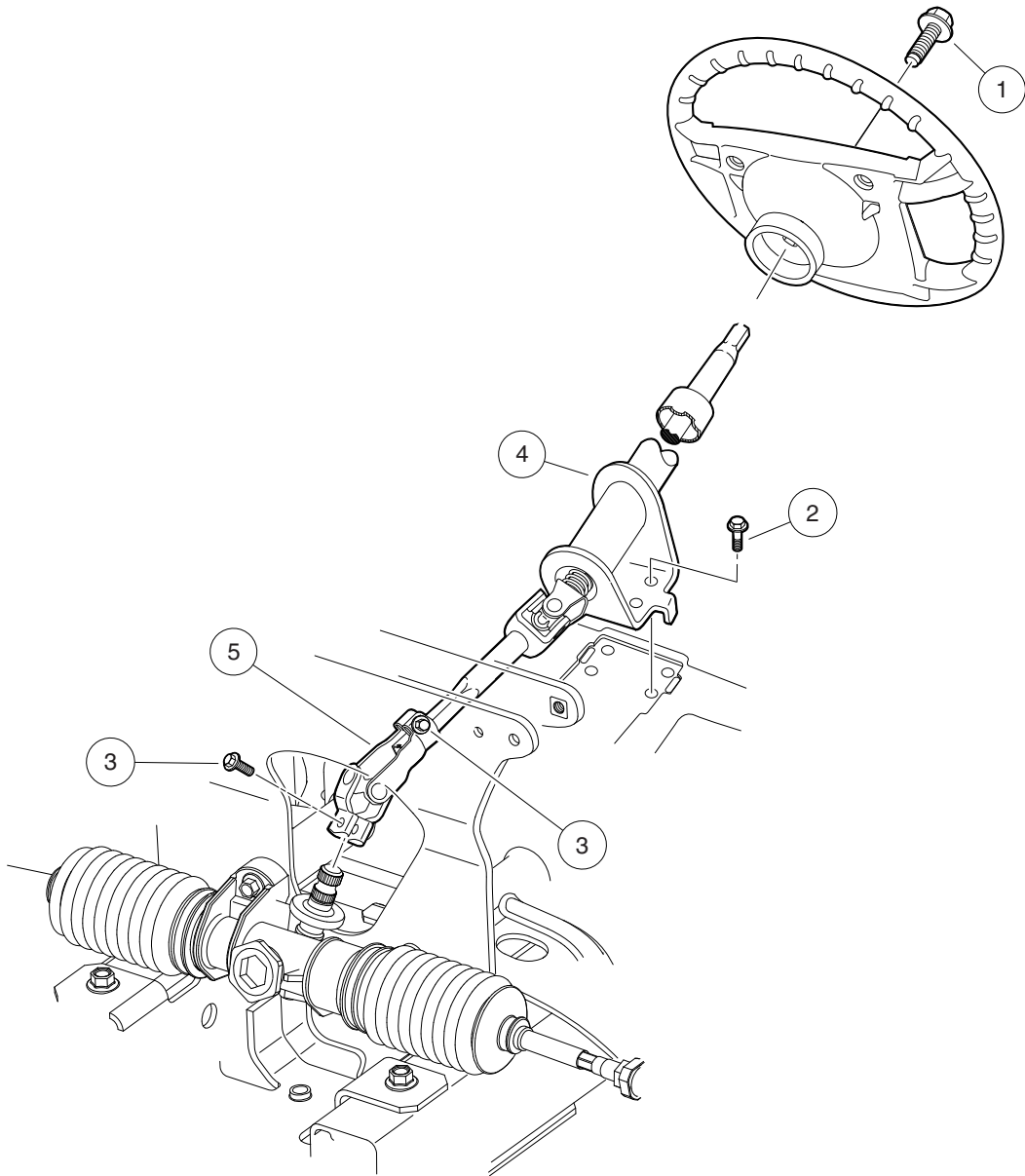


000471-001

STEERING WHEEL – 12

| ITEM | PART NO. | DESCRIPTION | QTY |
|------|-----------|---|-----|
| | | 1 2 3 4 | |
| 1 | 101615602 | Wheel Assy, Tri-Lobe Steering | 1 |
| 2 | 1016219 | Plate, Scorecard (includes items 3 through 7) | 1 |
| 3 | 1012565 | Screw, #12 Phillips Round Head | 2 |
| 4 | 1012566 | Tapered Compression Spring | 2 |
| 5 | 1016154 | Clip, Scorecard | 1 |
| 6 | N/A | Plate, Score Card | 1 |
| 7 | 1016214 | Pencil Grip | 1 |
| 8 | 1016663 | Screw, #12-14 X 0.625 | 2 |

5
G
E



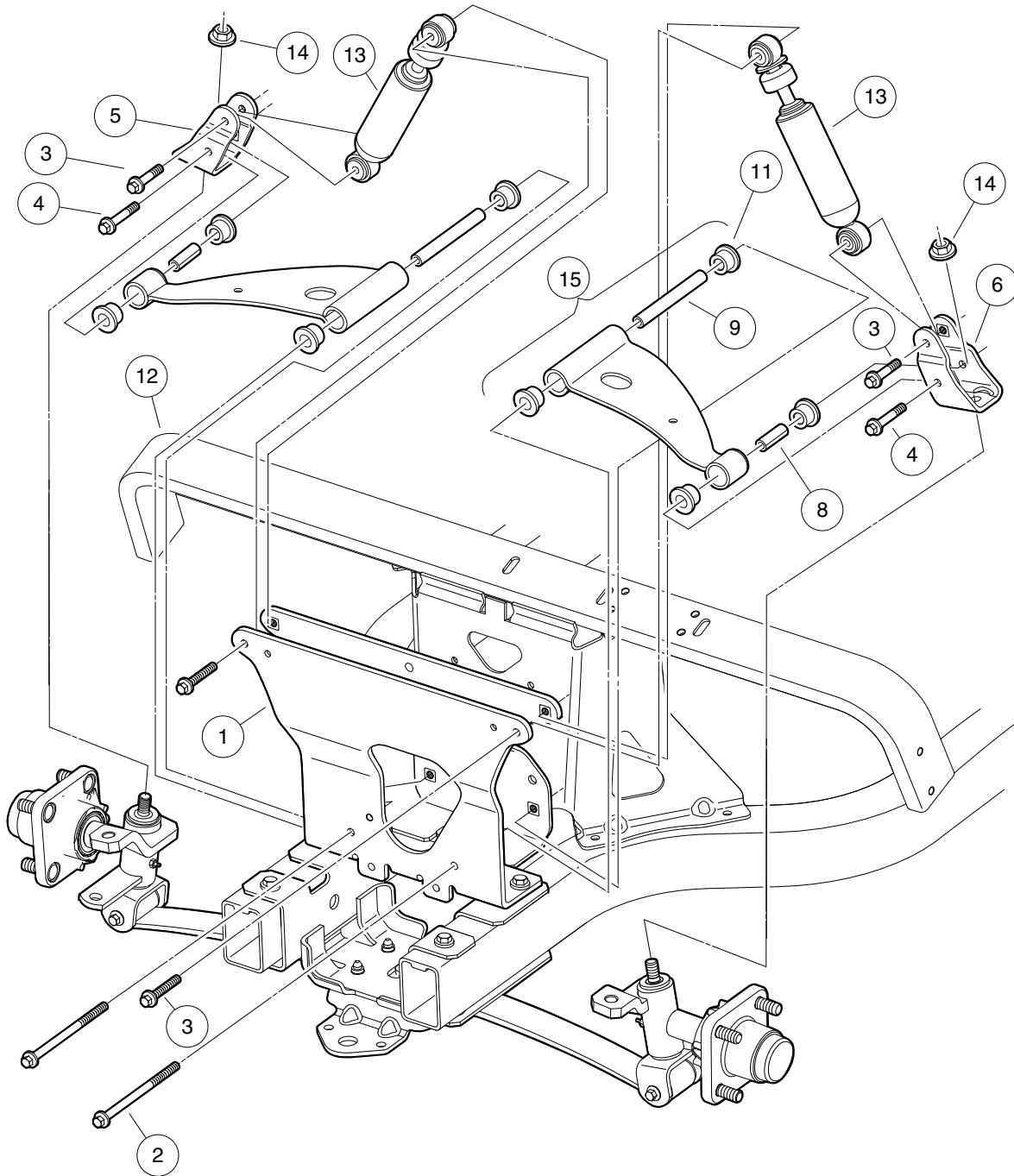
000469-002

STEERING COLUMN

| ITEM | PART NO. | DESCRIPTION | QTY |
|------|-----------|------------------------------------|-----|
| | | 1 2 3 4 | |
| 1 | 102290120 | Bolt, M10 X 20 Hex Washer Hd | 1 |
| 2 | 102298116 | Bolt - Flanged Hd, M8 X 16.0 | 4 |
| 3 | 102298130 | Bolt, Flange Head, M8 X 30.0 | 2 |
| 4 | 103209501 | Assy, Steering Column, Ld | 1 |
| 5 | 103810201 | Kit, Prec Lower Yoke, Wanda | 1 |

5
G
E

5
G
E



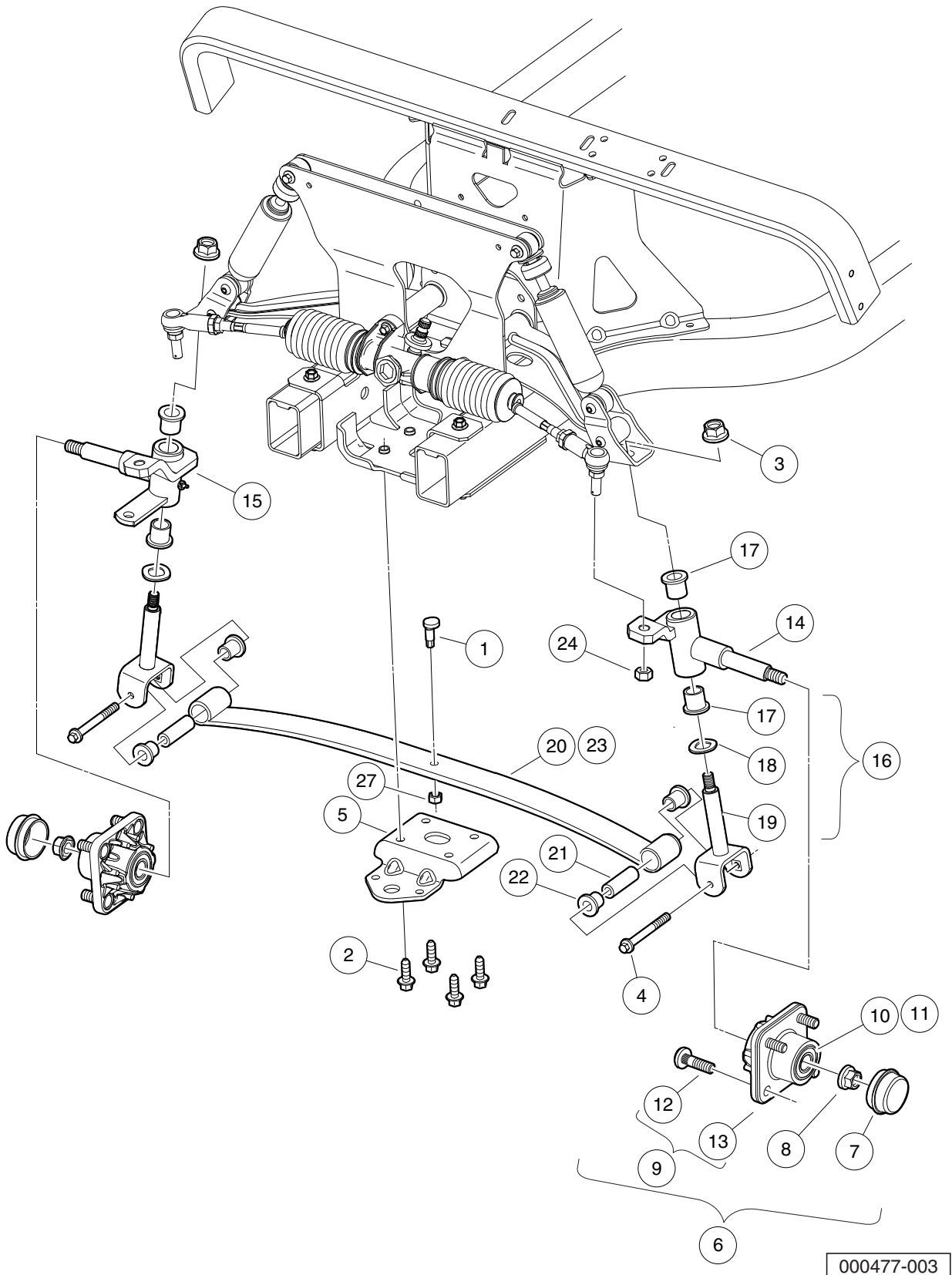
000445-001

FRONT SUSPENSION, UPPER

| ITEM | PART NO. | DESCRIPTION | QTY |
|------|-----------|--|-----|
| | | 1 2 3 4 | |
| 1 | 102287101 | Assembly - Front Structure | 1 |
| 2 | 102288901 | Bolt - Hex, M8x1.25 X 135 | 2 |
| 3 | 102289401 | Screw- Hex Cap, M8 X 1.25 X 45 | 4 |
| 4 | 102289501 | Screw- Hex Cap, M8 X 1.25 X 70 | 2 |
| 5 | 102289601 | Upper Clevis Assembly - Rh | 1 |
| 6 | 102289701 | Upper Clevis Assembly - Lh | 1 |
| 7 | 102289901 | Kit, Susp, Bushing Joints (includes items 8 through 11) | 1 |
| 8 | 102287601 | Sleeve - Rolled, Outer | 2 |
| 9 | 102287701 | Sleeve - Rolled, Inner | 2 |
| 10 | 102288101 | Sleeve - Rolled, Spring | 2 |
| 11 | 102956201 | Bushing, Urethane, Short, Prec | 12 |
| 12 | 102505701 | Assembly, Dash Support | 1 |
| 13 | 102588601 | Shock Absorber Front Prv Spd | 2 |
| 14 | 102878201 | Nut, Lock,m12,washer,conical | 2 |
| 15 | 103388501 | Asm, 3 Piece A-arm, Bushings | 2 |
| | | Note: Item 15 includes bushings and sleeves. Item 7 (not shown) includes bushings and sleeves for control arms, and front suspension leaf spring. See lower suspension page for illustration of item 10. | |

5
G
E

5
G
E

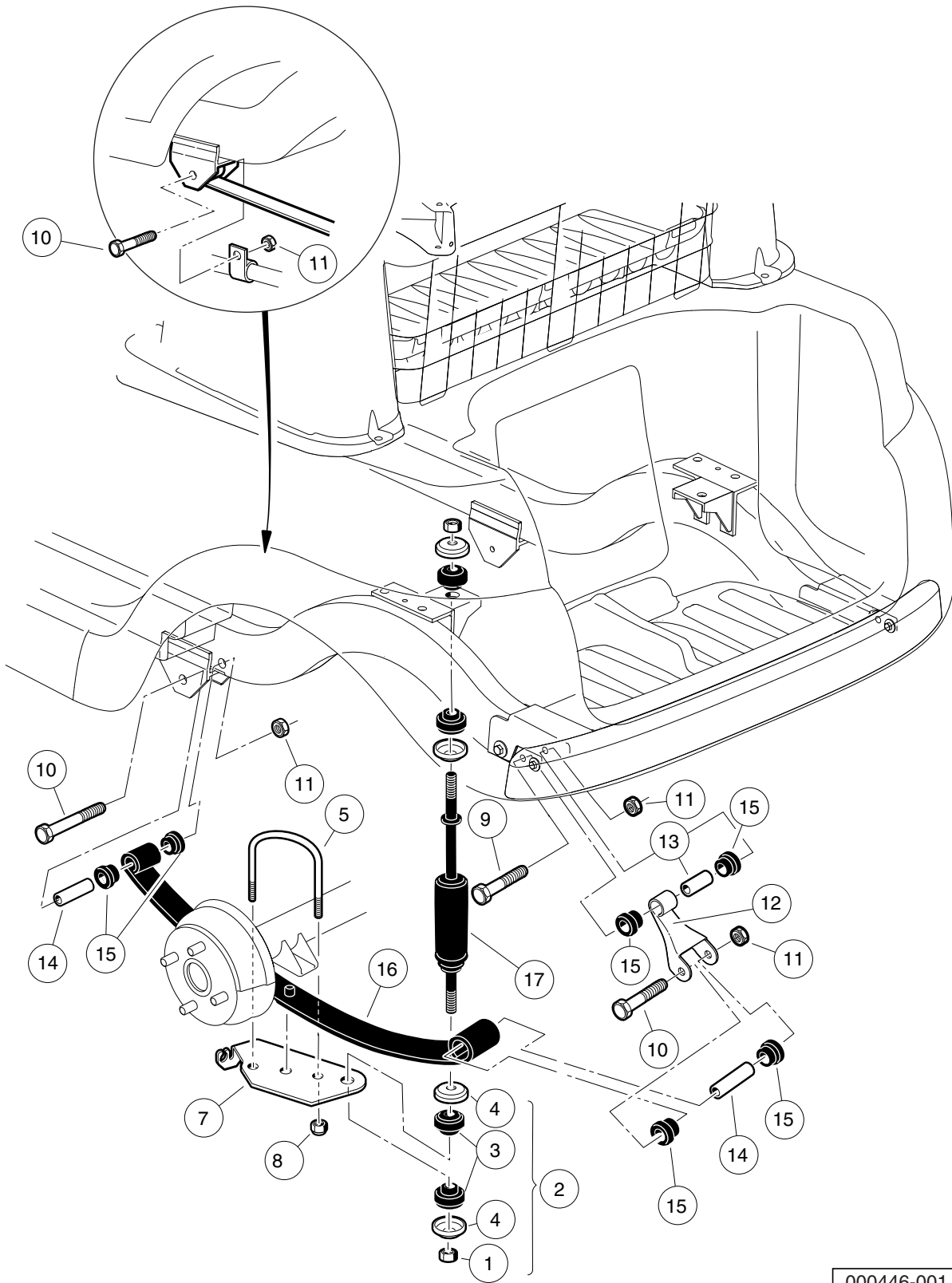


FRONT SUSPENSION, LOWER

| ITEM | PART NO. | DESCRIPTION | QTY |
|------|-----------|---|-----|
| | | 1 2 3 4 | |
| 1 | N/A | Eccentric Bolt | 1 |
| 2 | 102289101 | Screw-m10x1.5, Trilob, Hex Fl | 4 |
| 3 | 102289201 | Nut - Hex Locking, M12 X 1.25 | 2 |
| 4 | 102289501 | Screw- Hex Cap, M8 X 1.25 X 70 | 2 |
| 5 | 102289801 | Clamp - Leaf Spring | 1 |
| 6 | 102357701 | Replacement Kit, Front Hub (includes items 7 through 9) | 1 |
| 7 | 102353201 | Cap, Front Hub | 1 |
| 8 | 102353301 | Hex Nut, Locking Flange, M14x2 | 1 |
| 9 | N/A | Asm, Front Hub, Bb, Long Stud (includes items 10 through 13) | 1 |
| 10 | N/A | Bearing, Ball, 6204 | 2 |
| 11 | N/A | Spacer, Bearing, Front Hub, Pm | 1 |
| 12 | 103477901 | Lug Stud, 1/2-20 Unf, 4037 | 4 |
| 13 | N/A | Front Hub, Ball Brg, Long Stud | 1 |
| 14 | 103638701 | Asm, Spindle-bushings, Lh | 1 |
| 15 | 103638702 | Asm, Spindle-bushings, Rh | 1 |
| 16 | 103638801 | Kit, King Pin Joints, Prec (includes items 17 through 19) | 1 |
| 17 | 102288201 | Bushing - Flanged | 4 |
| 18 | 102288401 | Wave Washer - Kingpin | 2 |
| 19 | 103638601 | Asm, King Pin, M12 | 2 |
| 20 | 103711001 | Asm, Spring, Leaf, Front, Prec (includes items 21 through 23) | 1 |
| 21 | 102288101 | Sleeve - Rolled, Spring | 2 |
| 22 | 102956201 | Bushing, Urethane, Short, Prec | 4 |
| 23 | N/A | Spring, 1 Leaf, Front | 1 |
| 24 | 706 | Nut, Hex 3/8-16 | 1 |

5
G
E

5
G
E

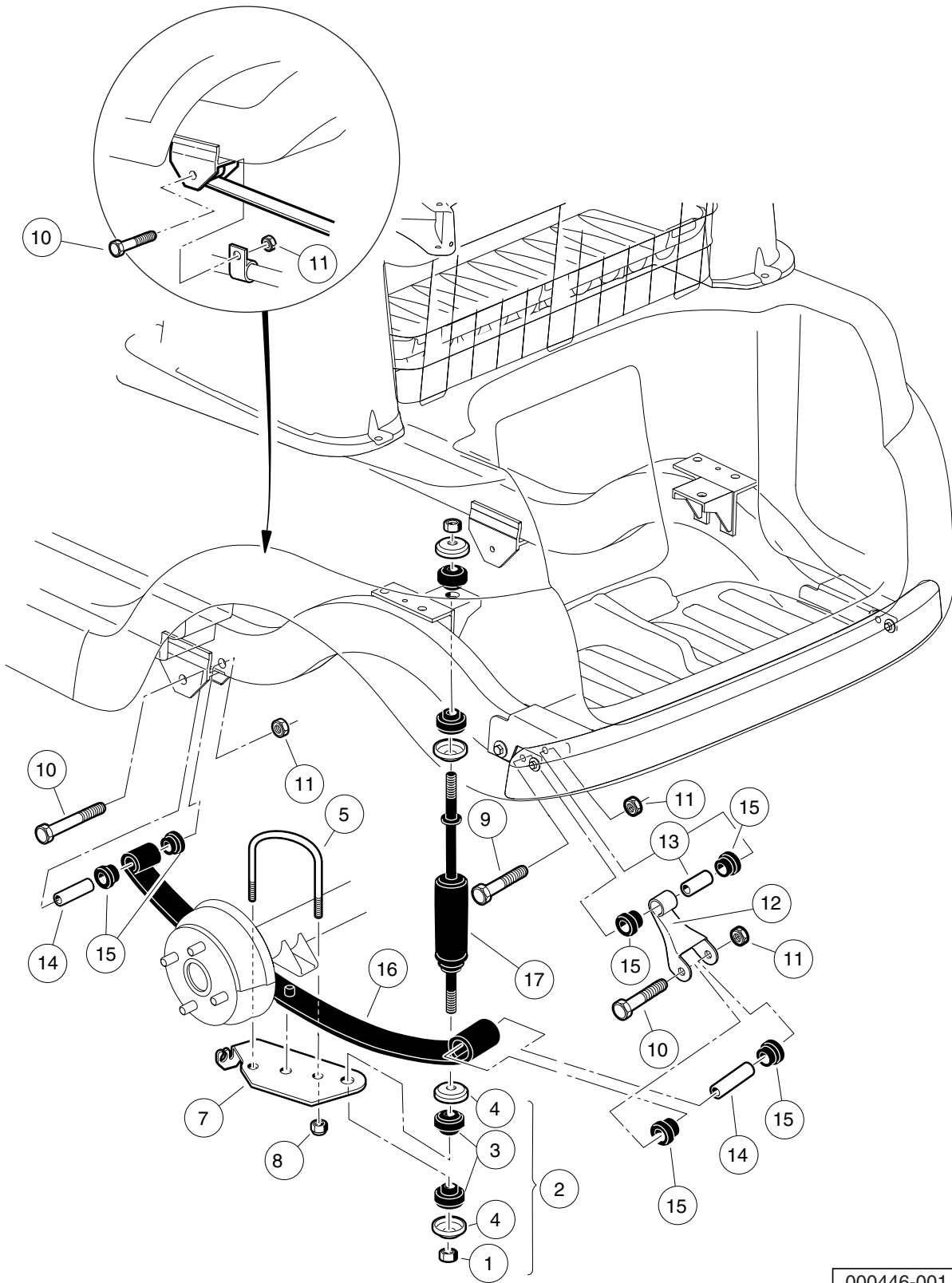


000446-001

REAR SUSPENSION – GASOLINE VEHICLE

| ITEM | PART NO. | DESCRIPTION | QTY | |
|------|-----------|--|-----|----------|
| | | 1 2 3 4 | | 5 |
| 1 | 1010145 | Nut, 3/8-24 Hex | 4 | G |
| 2 | 1011415 | Kit, Shock Absorber Cushion (includes items 3 and 4) | 2 | E |
| 3 | 1010142 | Cushion, Shock Absorber | 2 | |
| 4 | 1010144 | Retainer, Shock Absorber Cushion | 2 | |
| 5 | 1012180 | U-Bolt | 2 | |
| 6 | 1012181 | Bracket, Shock Mounting, Right (Passenger) | 1 | |
| 7 | 1012182 | Bracket, Shock Mounting, Left (Driver) | 1 | |
| 8 | 1014555 | Locknut, 7/16-14 Nylon Hex | 4 | |
| 9 | 102298170 | Bolt - Flange Hd, M8 X 70.0 | 2 | |
| 10 | 102298185 | Bolt - Flange Hd, M8 X 85.0 | 4 | |
| 11 | 102298401 | Nut,m8,all Metal Lock | 6 | |
| 12 | 102506201 | Shackle - Rear | 2 | |
| 13 | 102506301 | Sleeve - Shackle Upper | 2 | |
| 14 | 102506401 | Sleeve - Spring Eye Mounts | 4 | |
| 15 | 102506601 | Bushing - Urethane | 12 | |
| 16 | 102513001 | Rear Leaf Spring, Gas | 2 | |
| 17 | 102588501 | Shock Absorber Rear Prv Spd | 2 | |

5
G
E



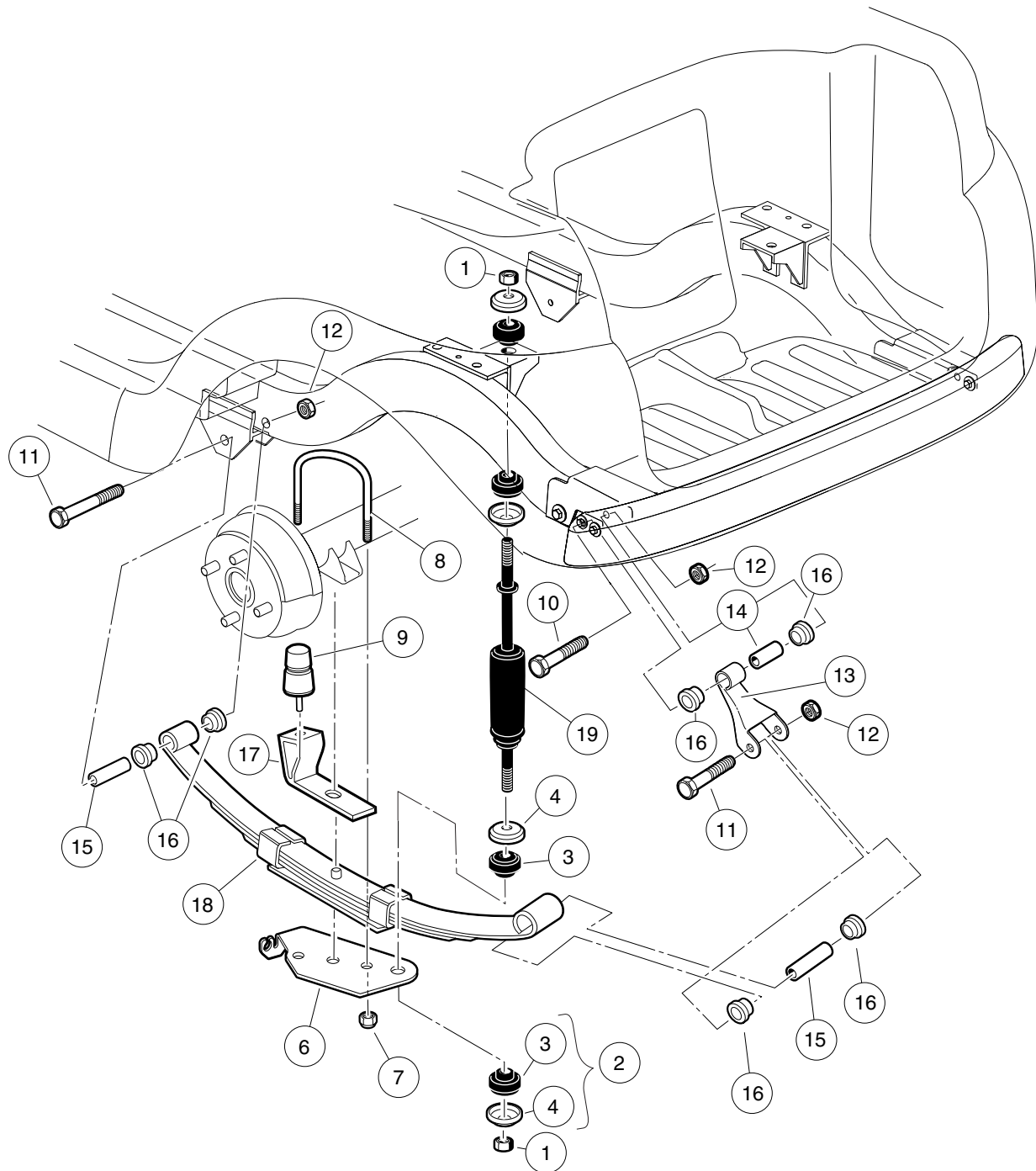
000446-001

REAR SUSPENSION – ELECTRIC VEHICLE

| ITEM | PART NO. | DESCRIPTION | QTY |
|------|-----------|--|-----|
| | | 1 2 3 4 | |
| 1 | 1010145 | Nut, 3/8-24 Hex | 4 |
| 2 | 1011415 | Kit, Shock Absorber Cushion (includes items 3 and 4) | 2 |
| 3 | 1010142 | Cushion, Shock Absorber | 2 |
| 4 | 1010144 | Retainer, Shock Absorber Cushion | 2 |
| 5 | 1012180 | U-Bolt | 2 |
| 6 | 1012181 | Bracket, Shock Mounting, Right (Passenger) | 1 |
| 7 | 1012182 | Bracket, Shock Mounting, Left (Driver) | 1 |
| 8 | 1014555 | Locknut, 7/16-14 Nylon Hex | 4 |
| 9 | 102298170 | Bolt - Flange Hd, M8 X 70.0 | 2 |
| 10 | 102298185 | Bolt - Flange Hd, M8 X 85.0 | 4 |
| 11 | 102298401 | Nut,m8,all Metal Lock | 6 |
| 12 | 102506201 | Shackle - Rear | 2 |
| 13 | 102506301 | Sleeve - Shackle Upper | 2 |
| 14 | 102506401 | Sleeve - Spring Eye Mounts | 4 |
| 15 | 102506601 | Bushing - Urethane | 12 |
| 16 | 102509301 | Rear Leaf Spring, Elec | 2 |
| 17 | 102588501 | Shock Absorber Rear Prv Spd | 2 |

5
G
E

5
G
E



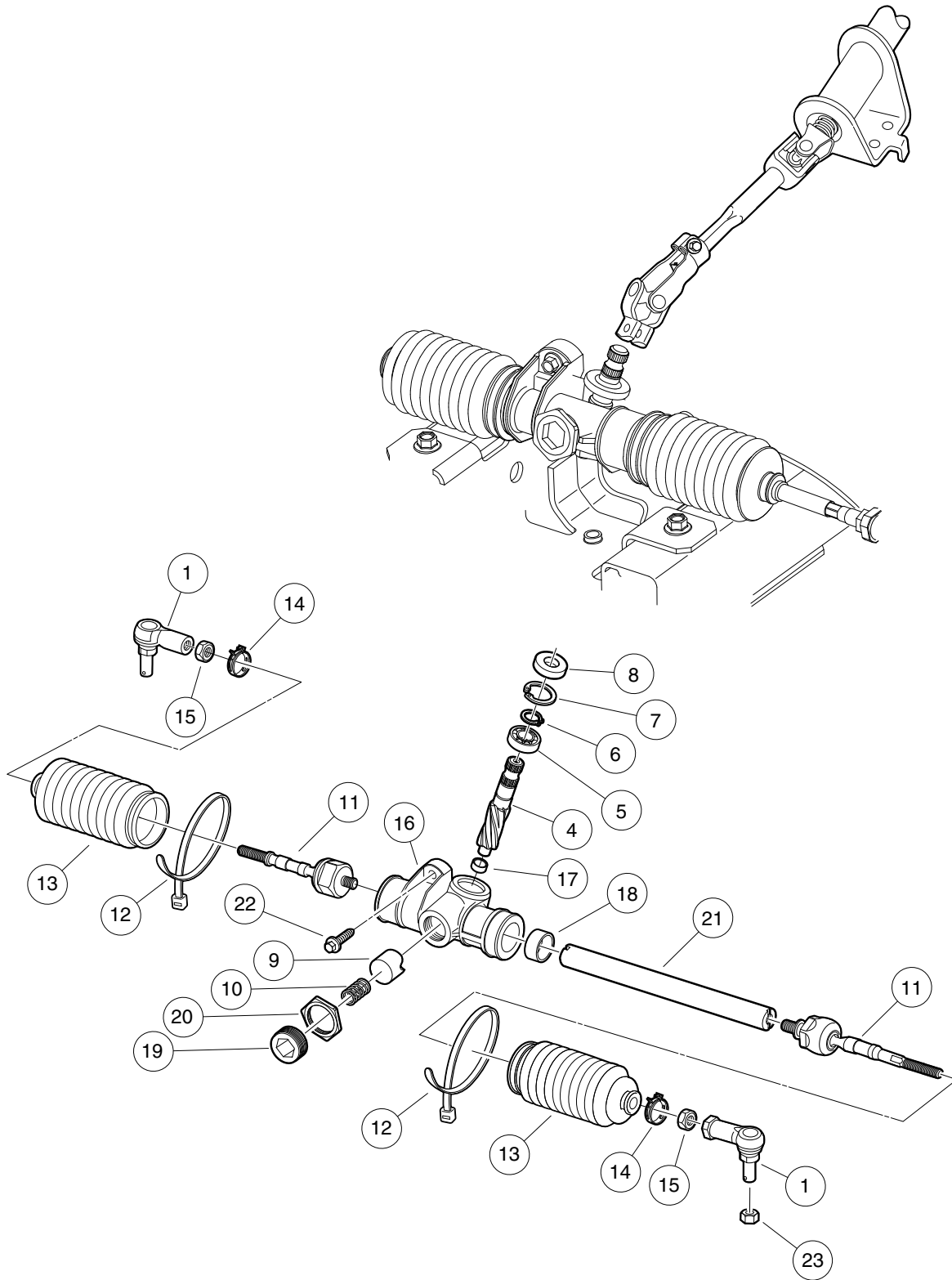
000492-001

REAR SUSPENSION – PRECEDENT VILLAGER 4

| ITEM | PART NO. | DESCRIPTION | QTY |
|------|-----------|--|-----|
| | | 1 2 3 4 | |
| 1 | 1010145 | Nut, 3/8-24 Hex | 4 |
| 2 | 1011415 | Kit, Shock Absorber Cushion (includes items 3 and 4) | 2 |
| 3 | 1010142 | Cushion, Shock Absorber | 2 |
| 4 | 1010144 | Retainer, Shock Absorber Cushion | 2 |
| 5 | 1012181 | Bracket, Shock Mounting, Right (Passenger) | 1 |
| 6 | 1012182 | Bracket, Shock Mounting, Left (Driver) | 1 |
| 7 | 1014555 | Locknut, 7/16-14 Nylon Hex | 4 |
| 8 | 1014902 | U-Bolt | 2 |
| 9 | 1017235 | Bumper, Jounce | 2 |
| 10 | 102298170 | Bolt - Flange Hd, M8 X 70.0 | 2 |
| 11 | 102298185 | Bolt - Flange Hd, M8 X 85.0 | 4 |
| 12 | 102298401 | Nut,m8,all Metal Lock | 6 |
| 13 | 102506201 | Shackle - Rear | 2 |
| 14 | 102506301 | Sleeve - Shackle Upper | 2 |
| 15 | 102506401 | Sleeve - Spring Eye Mounts | 4 |
| 16 | 102506601 | Bushing - Urethane | 12 |
| 17 | 102534801 | Jounce Bumper Bracket | 2 |
| 18 | 102544901 | Spril, Leaf, Rear | 2 |
| 19 | 102588501 | Shock Absorber Rear Prv Spd | 2 |

5
G
E

5
G
E

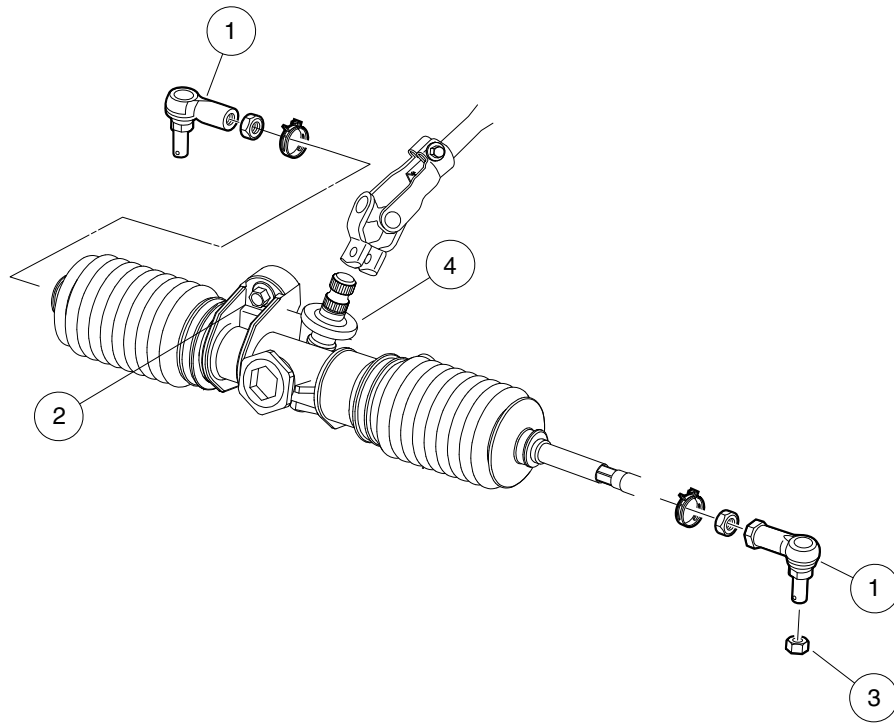


000476-002

STEERING GEAR ASSEMBLY

| ITEM | PART NO. | DESCRIPTION | QTY |
|------|-----------|--|-----|
| | | 1 2 3 4 | |
| 1 | 102022601 | End, Tie Rod M12 X 1.25 Rh | 2 |
| 2 | 102288601 | Steering Gear Box Assembly (includes items 3 through 21) | 1 |
| 3 | 102564901 | Asm, Pinion, Steer Gear, Prec (includes items 4 through 6) | 1 |
| 4 | N/A | Pinion, Steering | 1 |
| 5 | N/A | Bearing, Ball | 1 |
| 6 | N/A | Ring, Retaining | 1 |
| 7 | 102565101 | Ring, C-type, Stop, Prec | 1 |
| 8 | 102565201 | Seal, Dust, Steering, Pinion | 1 |
| 9 | 102565301 | Yoke, Support | 1 |
| 10 | 102565401 | Spring, Yoke, Prec | 1 |
| 11 | 102565701 | Assy, Ball Joint, Inner, Prec | 2 |
| 12 | 102565801 | Wrap, Tie, Steel, Prec | 2 |
| 13 | 102565901 | Bellows, Steering | 2 |
| 14 | 102566001 | Clip, Steering, Prec | 2 |
| 15 | 102566101 | Nut,m12-1.25,jam,steer,prec | 2 |
| 16 | N/A | Housing, Pinion (includes items 17 and 18) | 1 |
| 17 | N/A | Bearing, Needle | 1 |
| 18 | N/A | Bushing, Rack | 1 |
| 19 | N/A | Plug, Yoke | 1 |
| 20 | N/A | Nut, Lock, Rack Screw | 1 |
| 21 | N/A | Rack, Steering | 1 |
| 22 | 102289001 | Screw, M8X1.25X30, Hex | 3 |
| 23 | 102289201 | Nut - Hex Locking, M12 X 1.25 | 2 |

5
G
E



000476-003

STEERING GEAR ASSEMBLY

| ITEM | PART NO. | DESCRIPTION | QTY |
|------|-----------|-------------------------------------|-----|
| | | 1 2 3 4 | |
| 1 | 102022601 | End, Tie Rod M12 X 1.25 Rh | 2 |
| 2 | 102289001 | Screw, M8X1.25X30, Hex | 3 |
| 3 | 102289201 | Nut - Hex Locking, M12 X 1.25 | 2 |
| 4 | 103679701 | Asm, Rack & Pinion, Precedent | 1 |

5
G
E

5

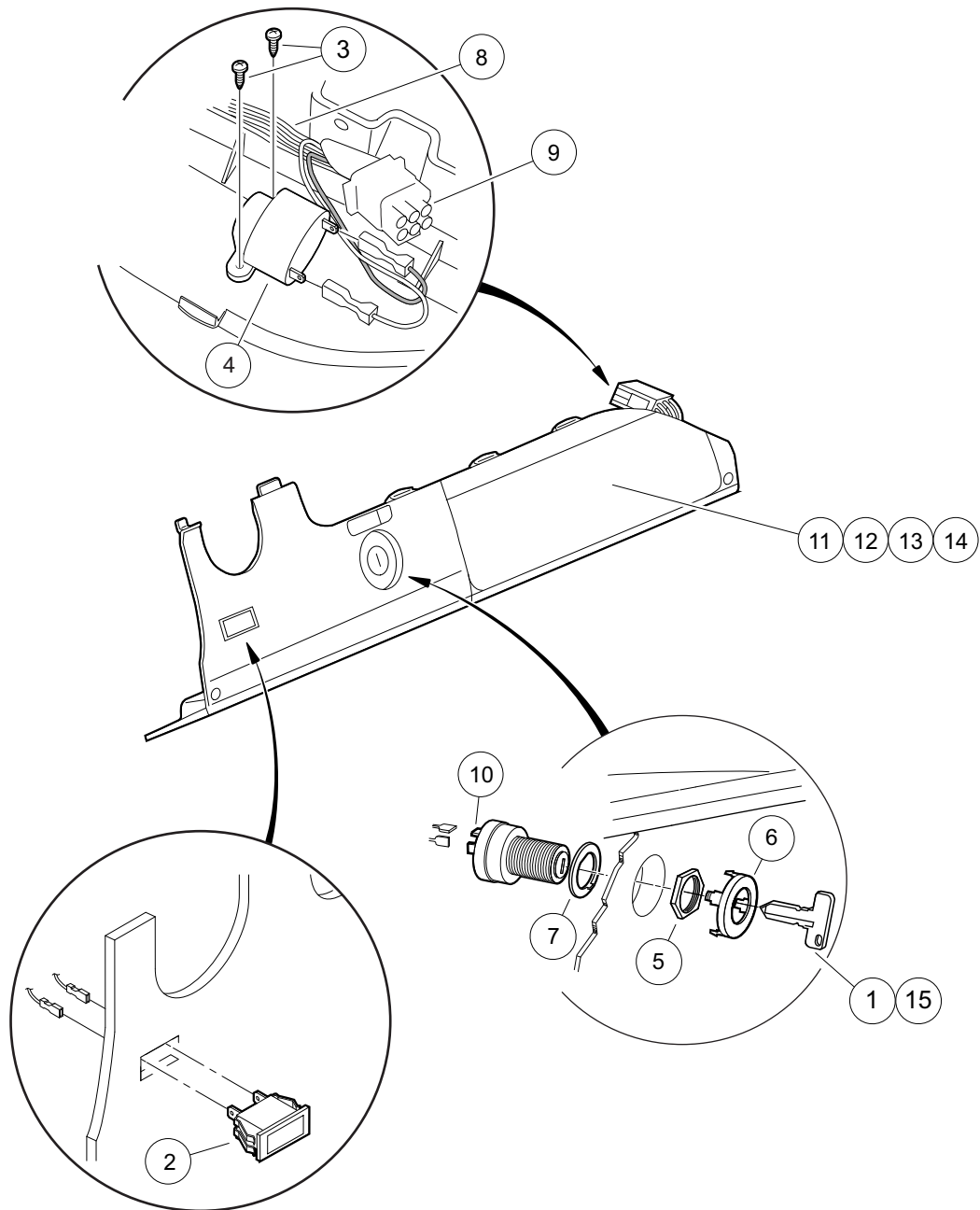
G

E

ELECTRICAL SYSTEM – GASOLINE VEHICLE

6

G



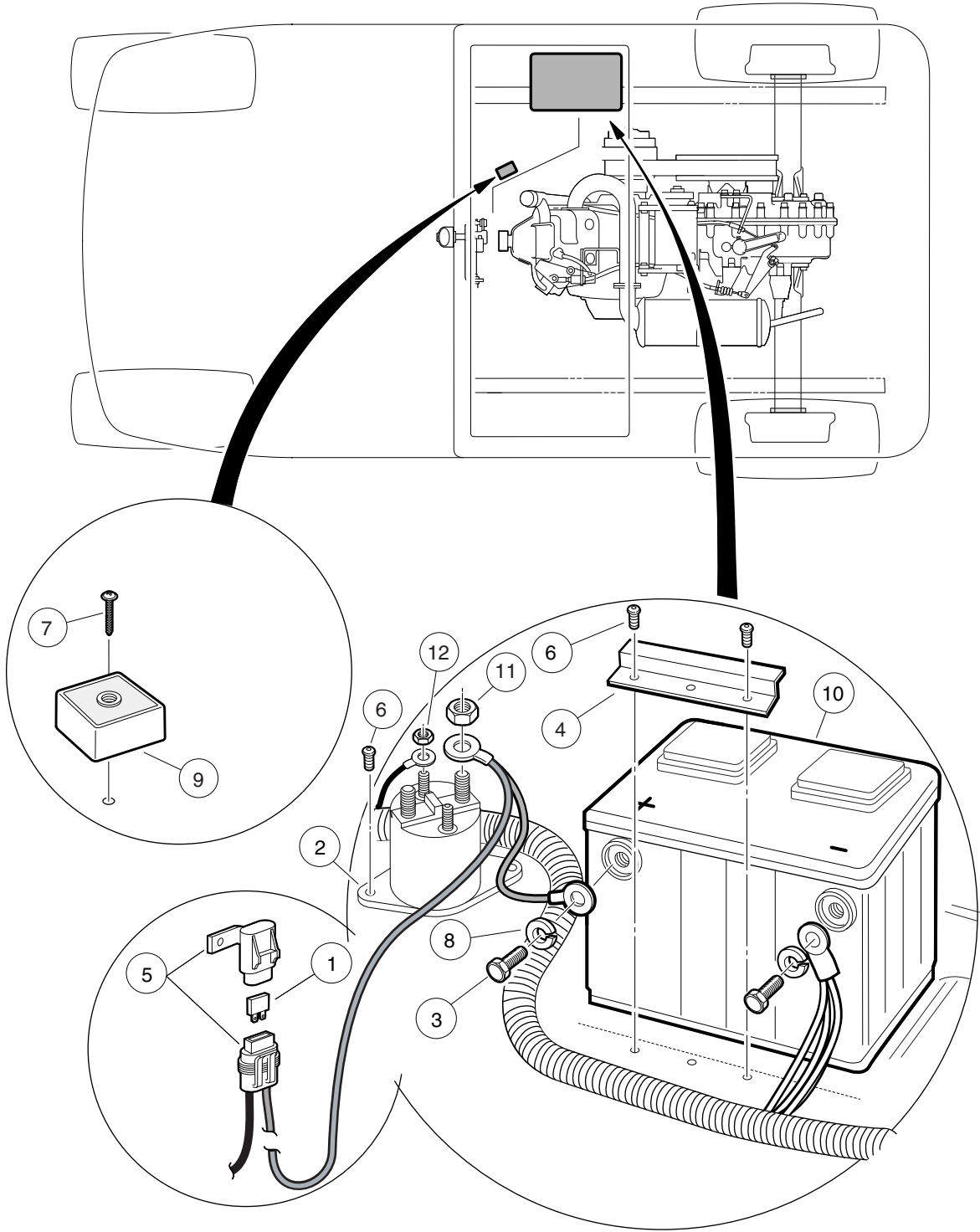
000490-002

ELECTRICAL COMPONENTS, FRONT BODY – GASOLINE VEHICLE

| ITEM | PART NO. | DESCRIPTION | QTY |
|------|-----------|--|-----|
| | | 1 2 3 4 | |
| 1 | 1012505 | Keys (set of 2) | 1 |
| 2 | 1016630 | Light, Oil | 1 |
| 3 | 1016849 | Screw, #4-24 X 0.33 Pan-Head Machine | 2 |
| 4 | 1016851 | Buzzer, Reverse (9-48 VDC) | 1 |
| 5 | 101830701 | Nut, Key Switch | 1 |
| 6 | 101834502 | Cap, Black Key Switch | 1 |
| 7 | 101851101 | Washer, Key Switch | 1 |
| 8 | 102515001 | Ip Control Harness, Gas (includes item 9) | 1 |
| 9 | N/A | Connector, Plug 9-pin | 1 |
| 10 | 102515101 | Key Switch, Gas, Prec | 1 |
| 11 | 102522901 | Instrument Panel (standard) | 1 |
| 12 | 102536601 | Instrument Panel (with Hole for Headlight Switch) | 1 |
| 13 | 102536602 | Instrument Panel (with Hole for Fuel Gauge) | 1 |
| 14 | N/A | Instrument Panel (with Hole for Headlight Switch and Fuel Gauge) | 1 |
| 15 | AM10079 | Bulk Std Keys (50) * | 1 |
| | | * Note: Must order in multiples of 50. | |

6
G

6
G

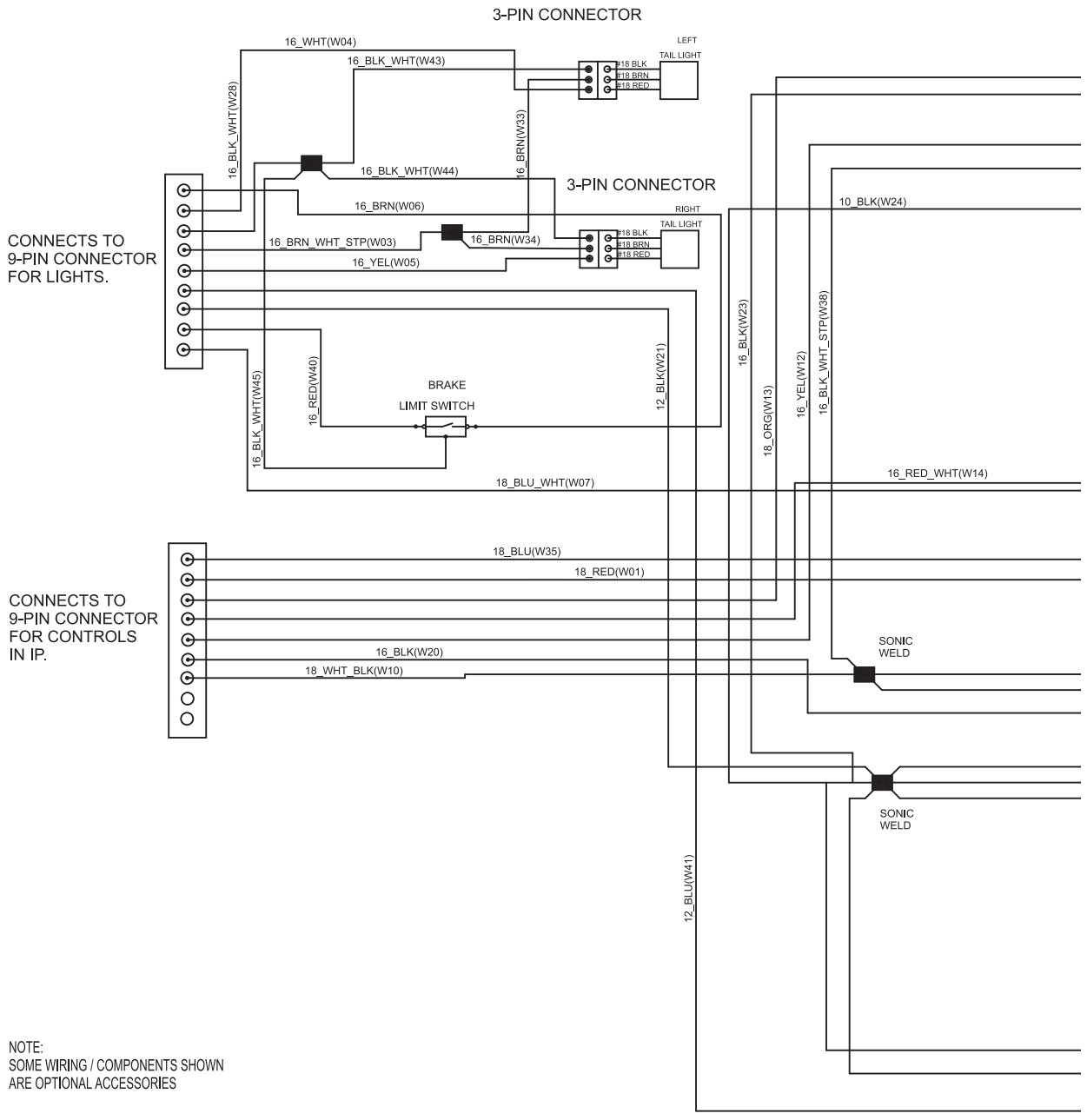


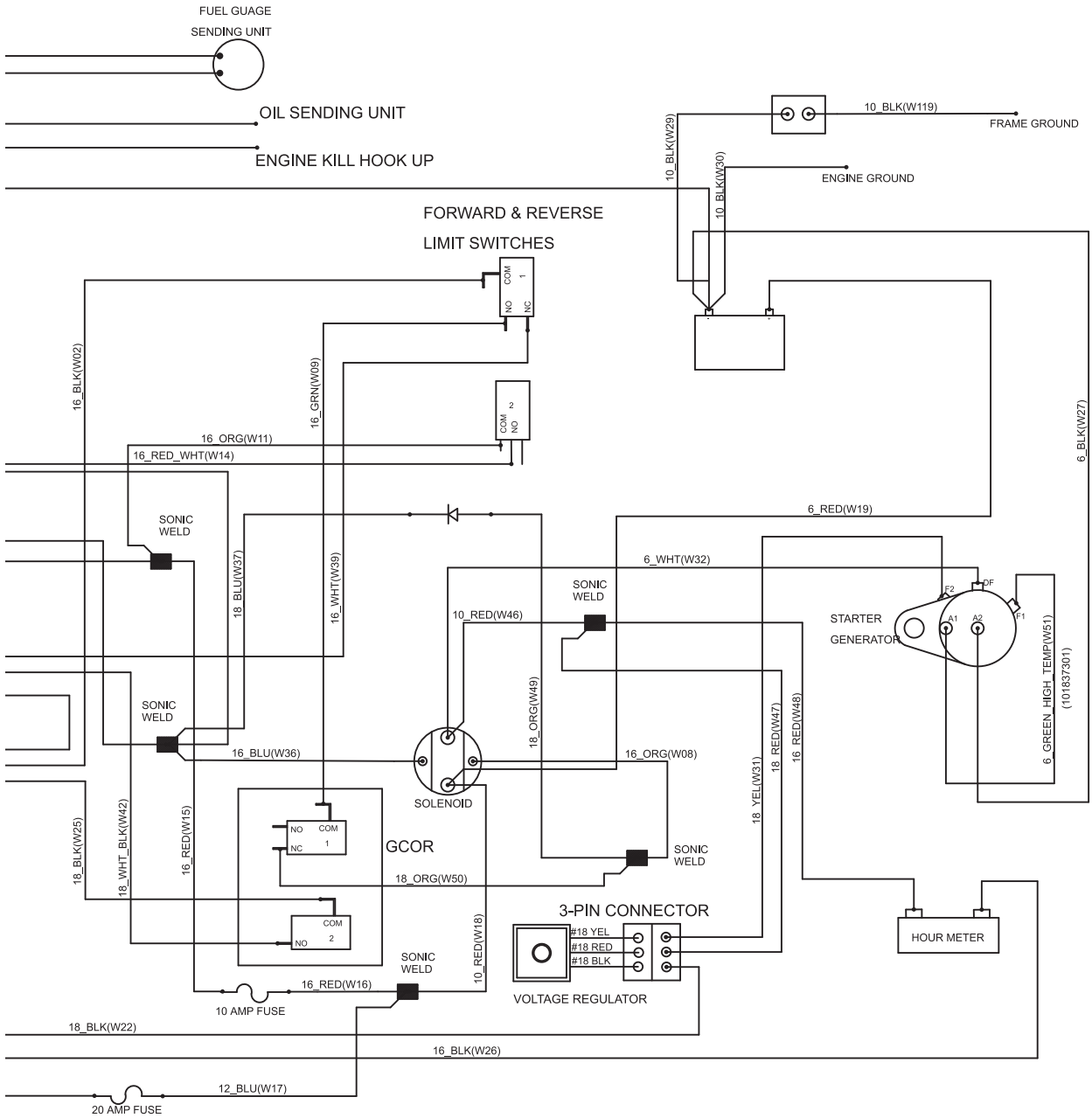
000479-001

BATTERY – GASOLINE VEHICLE

| ITEM | PART NO. | DESCRIPTION | QTY |
|------|-----------|---|-----|
| | | 1 2 3 4 | |
| 1 | 1012295 | Fuse, 10-Amp | 1 |
| 2 | 1013609 | Solenoid, 12-Volt | 1 |
| 3 | 1014375 | Screw, 3/8-16 X 0.50 Stainless Steel Hex-Head | 2 |
| 4 | 101898001 | Clamp, Battery | 1 |
| 5 | N/A | Cover, Fuse, Sealed, Metri | 1 |
| 6 | 102296020 | Screw, Torx Pan Hd Pt, M6 X 20 | 4 |
| 7 | 102296040 | Screw, Torx Pan Hd Pt, M6 X 40 | 1 |
| 8 | 102355301 | Lockwasher, #10 Split Ss | 2 |
| 9 | 102803301 | Asm, Voltage Regulator, Prec. | 1 |
| 10 | 103496801 | Battery, Start, 12v | 1 |
| 11 | 1242 | Nut, 5/16-18 Hex | 2 |
| 12 | 7893 | Nut, #10-32 Hex | 2 |

6
G





000481-001

6

G

See previous two pages for illustration.

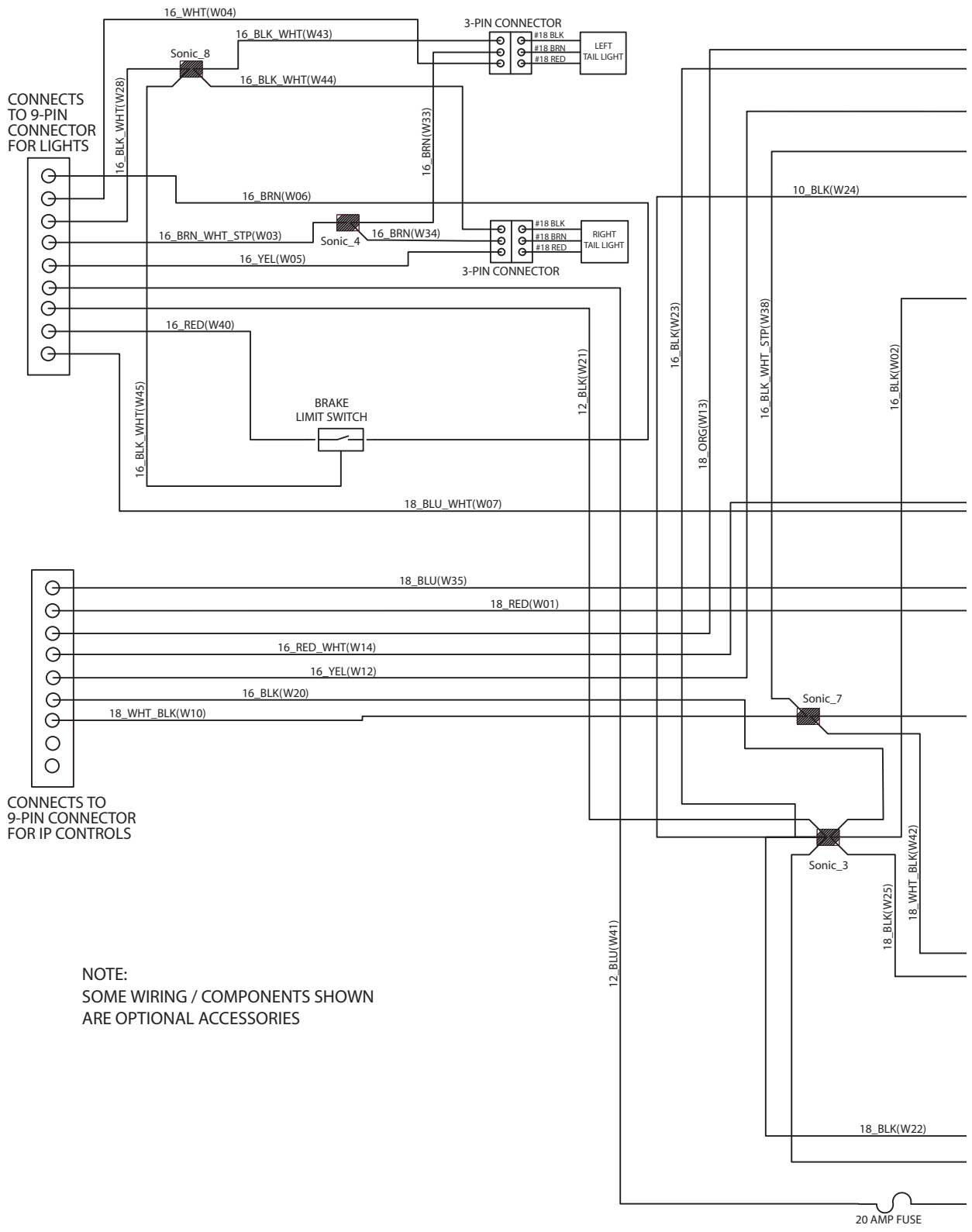
WIRING – GASOLINE VEHICLE, GENERATION 1 PEDAL GROUP

| ITEM | PART NO. | DESCRIPTION | QTY |
|------|-----------|---|-----|
| 1 | 102586201 | <div style="display: flex; justify-content: space-between; margin-bottom: 5px;"> 1 2 3 4 </div> Main Harness, Gas | 1 |

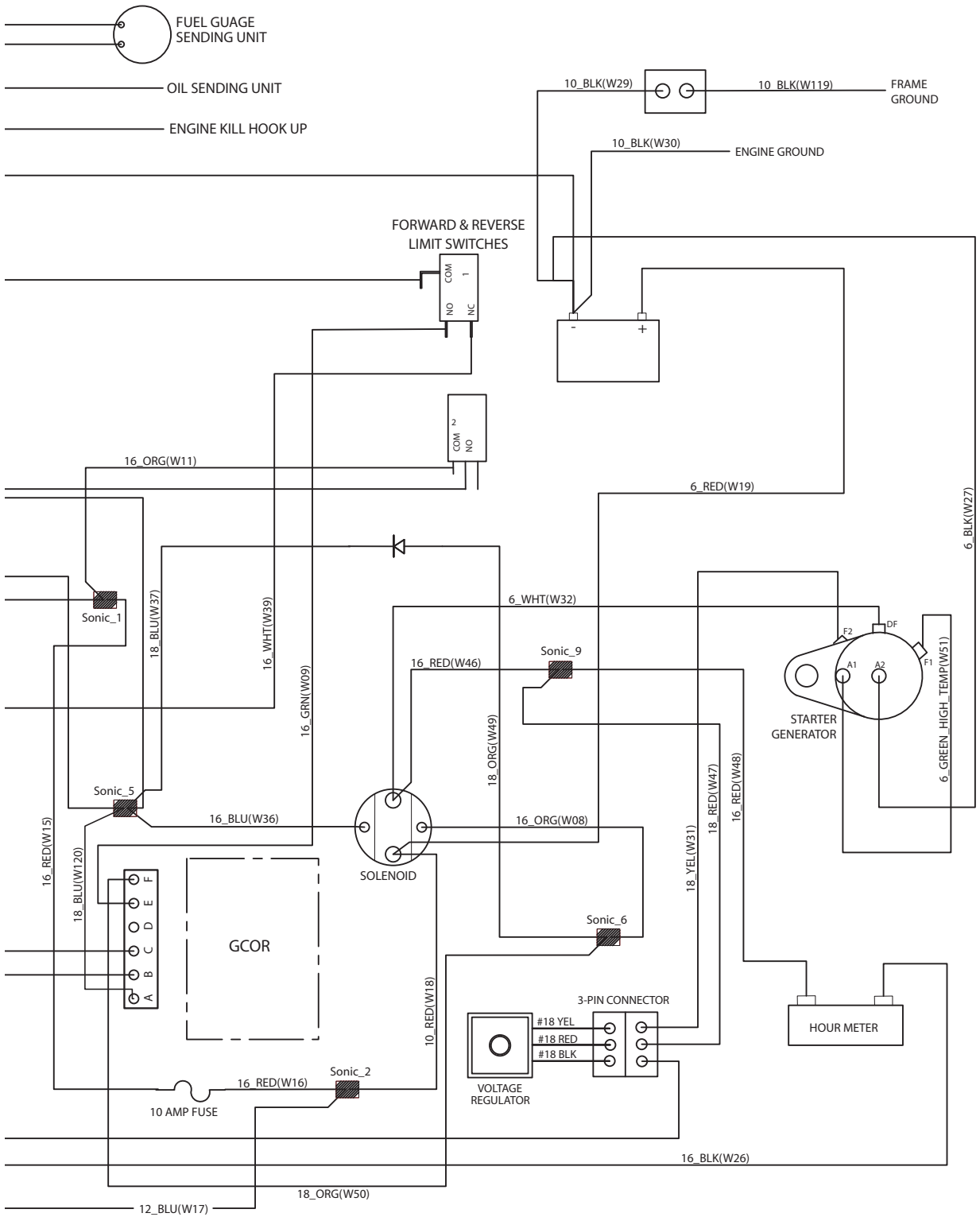
6

G

6
G



000481-002



000481-002

6

G

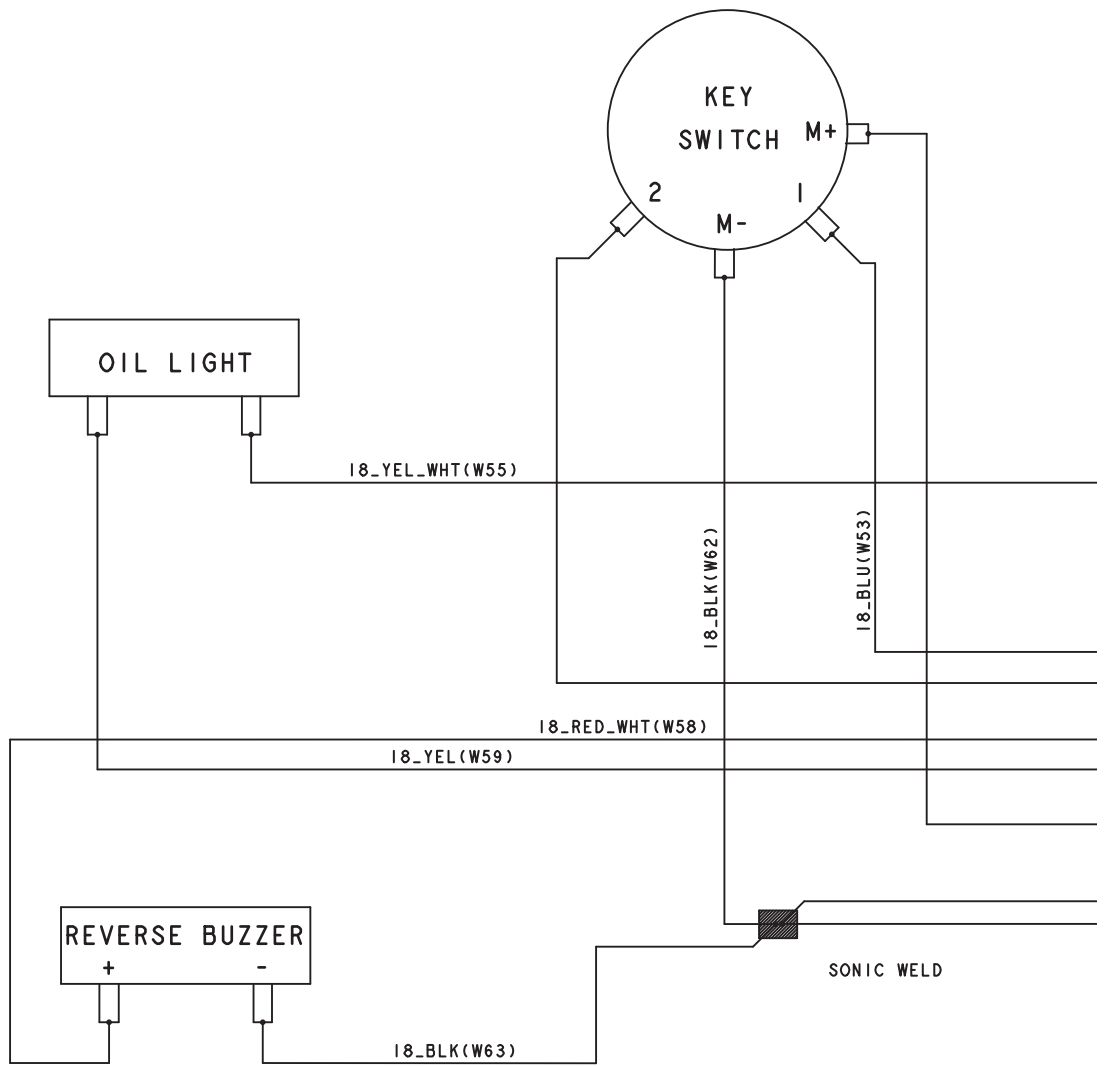
See previous two pages for illustration.

WIRING – GASOLINE VEHICLE, GENERATION 2 PEDAL GROUP

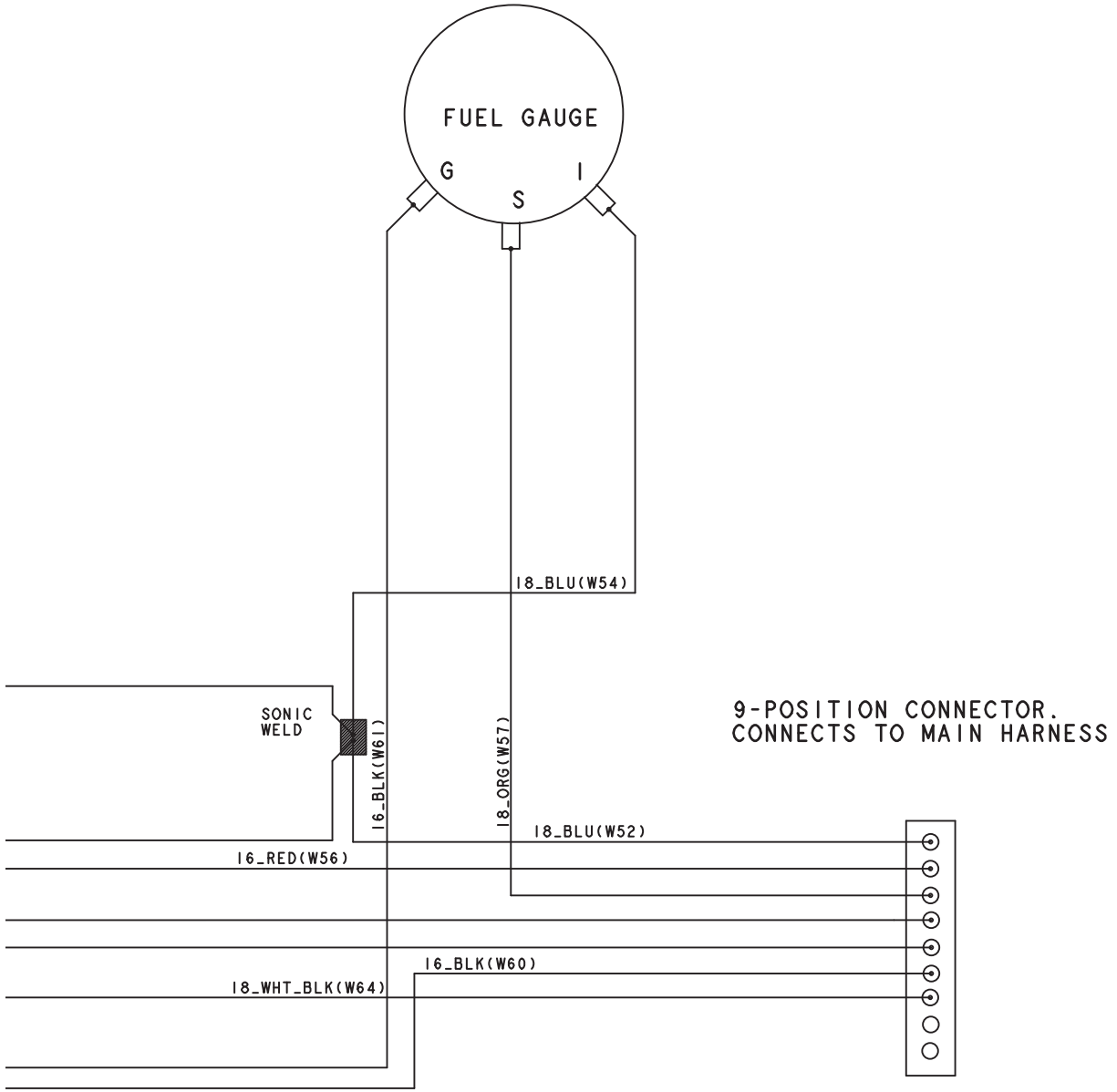
| ITEM | PART NO. | DESCRIPTION | QTY |
|------|-----------|--|-----|
| 1 | 103536501 | 1 2 3 4 Harness, Prec Gas, Main | 1 |

6

G



000489-001



000489-001

6

G

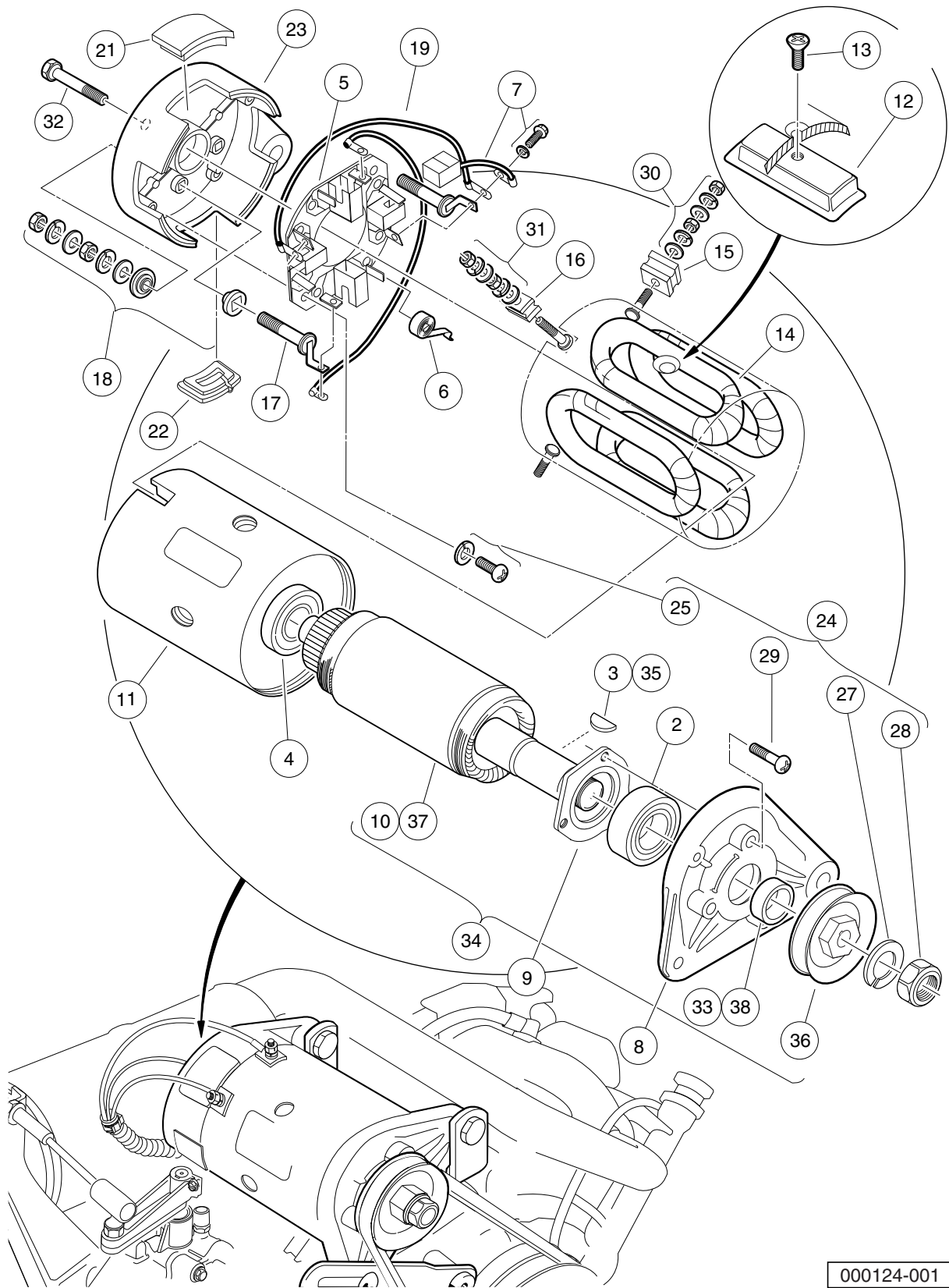
See previous two pages for illustration.

INSTRUMENT PANEL WIRE HARNESS

| ITEM | PART NO. | DESCRIPTION | QTY |
|------|-----------|--|-----|
| 1 | 102515001 | 1 2 3 4 Ip Control Harness, Gas (includes item 2) | 1 |
| 2 | N/A | Connector, Plug 9-pin | 1 |

6
G

6
G

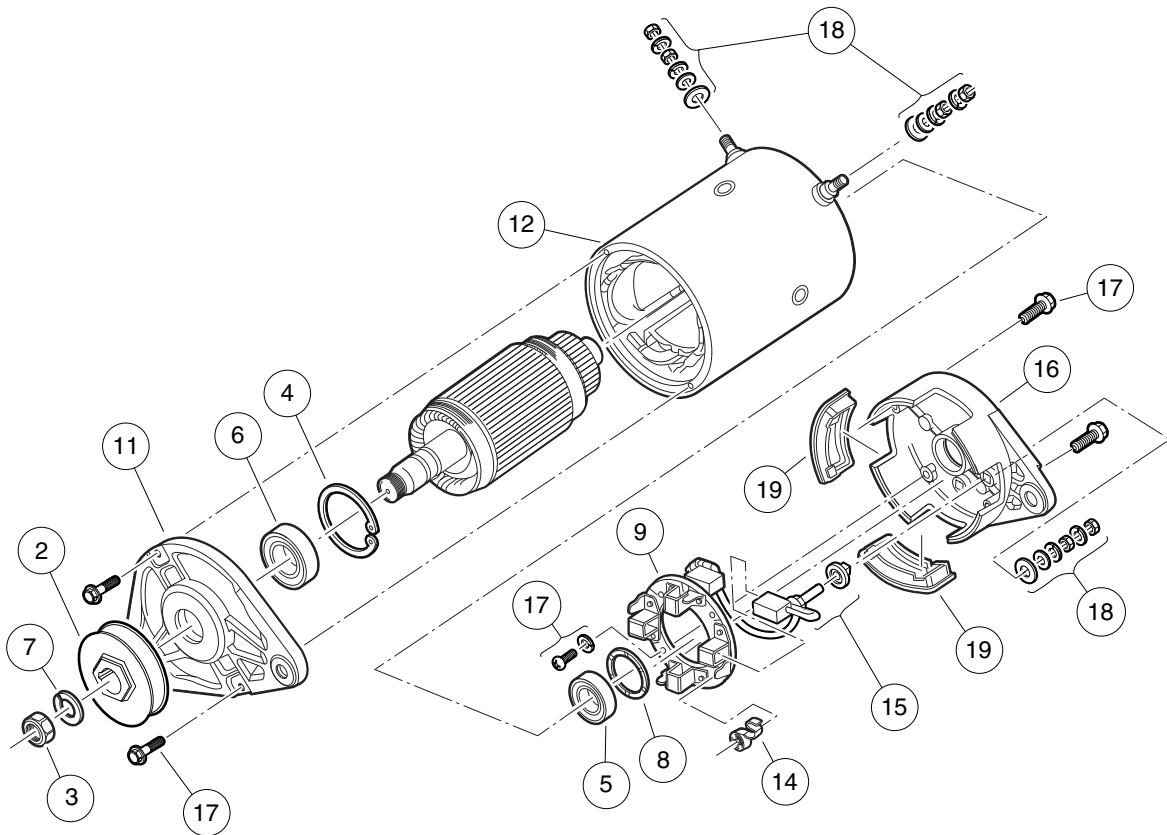


000124-001

STARTER/GENERATOR ASSEMBLY MODEL G425419 – GASOLINE VEHICLES

| ITEM | PART NO. | DESCRIPTION | QTY |
|------|-----------|--|-----|
| | | 1 2 3 4 | |
| 1 | 101833701 | Starter/Generator (cw) (includes items 2 through 33) | 1 |
| 2 | 1013001 | Bearing, Output Shaft Ball | 1 |
| 3 | 1013003 | Key, Starter/Generator | 1 |
| 4 | 1013005 | Bearing, Ball | 1 |
| 5 | 101301102 | Brush Holder Assembly (cw) (includes item 6) | 1 |
| 6 | 101878101 | Brush Spring Set | 4 |
| 7 | 101869302 | Brush and Screw Set (cw) | 1 |
| 8 | 101874901 | Front Bracket | 1 |
| 9 | 101875001 | Retainer | 1 |
| 10 | 101875101 | Armature | 1 |
| 11 | 101875201 | Field Coil Housing | 1 |
| 12 | 101875301 | Pole Set | 1 |
| 13 | 101875401 | Screw Set | 1 |
| 14 | 101875501 | Field Stator Coil Assembly | 1 |
| 15 | 101875601 | F Insulator Set | 2 |
| 16 | 101875701 | DF Insulator | 1 |
| 17 | 101875802 | A Connector (cw) | 1 |
| 18 | 101876001 | Screw and Mold Assembly | 2 |
| 19 | 101876202 | Brush Connector Assembly (cw) | 2 |
| 20 | 101876301 | Cover Set (includes items 21 and 22) | 1 |
| 21 | N/A | Brush Inspection Port Cover | 3 |
| 22 | 1017653 | Brush Port Cover w/Drain | 1 |
| 23 | 101876402 | Rear Bracket (cw) | 1 |
| 24 | 101876501 | Nut and Screw Set (includes items 25 through 29) | 1 |
| 25 | 101896501 | Brush Holder Asm Screw | 2 |
| 26 | N/A | Washer, M5 Flat | 1 |
| 27 | N/A | Washer, M14 Lock | 1 |
| 28 | N/A | Nut, Hex, M14 x 2 | 1 |
| 29 | N/A | Screw, M5 x 0.8 x 18mm | 3 |
| 30 | 101877601 | Nut and Washer Set | 2 |
| 31 | 101877701 | Nut and Washer Set | 1 |
| 32 | 101879001 | Through Bolt Set | 2 |
| 33 | 101939901 | Spacer | 1 |
| 34 | 101875102 | Armature Asm Conversion Kit (includes items 35 through 38) | 1 |
| 35 | 1013003 | Key, Starter/Generator | 1 |
| 36 | 1014289 | Pulley, Starter/Generator | 1 |
| 37 | 101875101 | Armature | 1 |
| 38 | 101939901 | Spacer | 1 |
| | | Note: Item 36 will ONLY fit Model G425419 Starter/Generator. | |

6
G



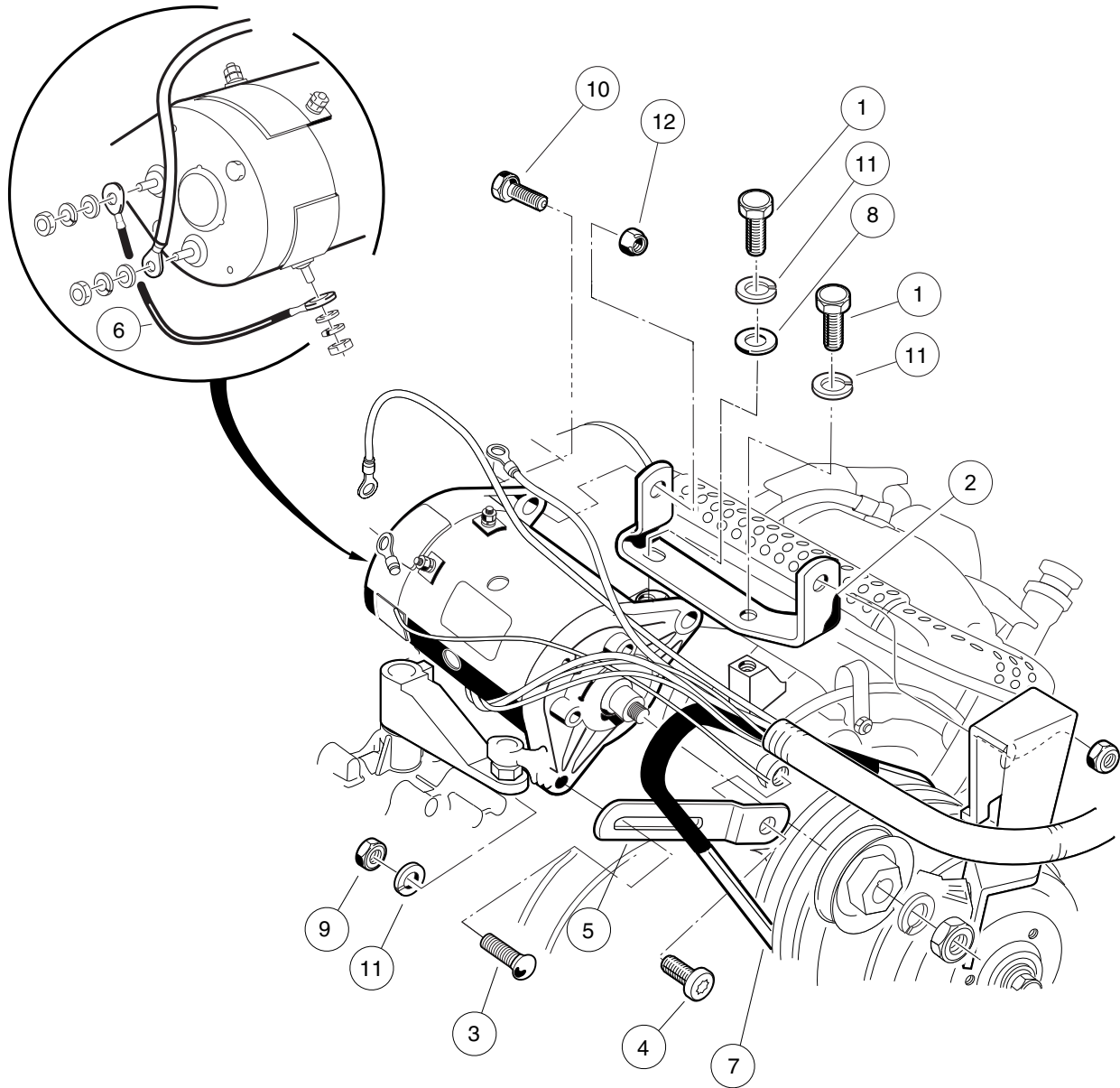
000124-002

STARTER/GENERATOR ASSEMBLY MODEL 114-01-4005 – GASOLINE VEHICLES

| ITEM | PART NO. | DESCRIPTION | QTY |
|---|-----------|--|-----|
| | | 1 2 3 4 | |
| 1 | 102628201 | Starter/Generator Bi-Rotational (includes items 2 through 19) | 1 |
| 2 | 102711001 | Pulley, V-Belt | A/R |
| 3 | 102838701 | Nut, Hex, M14x2, S-g | 1 |
| 4 | 102838801 | Retainer, Front, S-g | 1 |
| 5 | 102838901 | Bearing, Ball, Front, S-g | 1 |
| 6 | 102839001 | Bearing, Ball, Front, S-g | 1 |
| 7 | 102839301 | Washer, Lock M14x2, S-g | 1 |
| 8 | 102841101 | Washer, Wave, S-g | 1 |
| 9 | 102844401 | Assembly, Brush Plate, Starter/Generator | 1 |
| 10 | 102844501 | Asm, Armature, Starter/Generator | 1 |
| 11 | 102844601 | Head, Drive End, S-g | 1 |
| 12 | 102844701 | Asm, Frame and Field, Starter/Generator | 1 |
| 13 | 103347101 | Kit, Spring Brush, Starter/Generator (includes item 14) | 1 |
| 14 | N/A | Spring, Brush, S-g | 4 |
| 15 | 103347301 | Set, Brush Term, S-g | 1 |
| 16 | 103347601 | Head, Comm End, S-g | 1 |
| 17 | 103347701 | Set, Fast, Ceh Deh, S-g | 1 |
| 18 | 103347801 | Set, Term Hadrware, S/G | 1 |
| 19 | 103347901 | Kit, Cover, Brush Insp, Starter/Generator (includes items 20 and 21) | 1 |
| 20 | N/A | Plug, Rubber Drain, Start/Generator | 3 |
| 21 | N/A | Cover, Inspection, S-g | 1 |
| <p>Note: Item 2 will ONLY fit Model 114-01-4005 Starter/Generator. For COMPLETE starter/generator replacement, order model G425419 and the compatible pulley.</p> | | | |

6

G

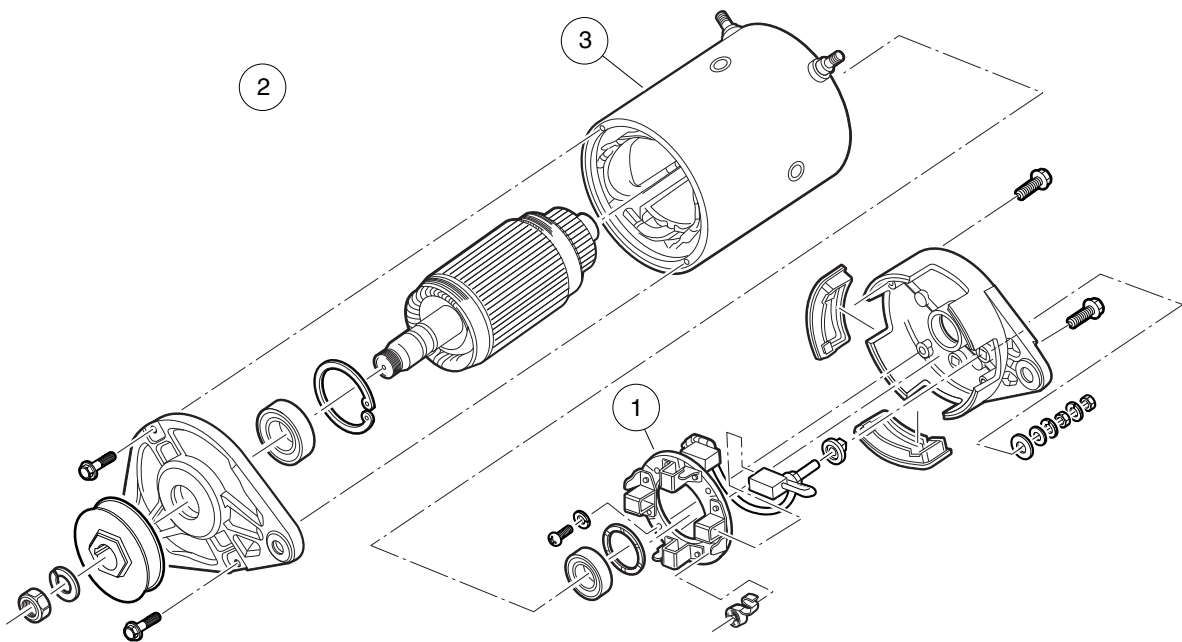


000238-004

STARTER/GENERATOR MOUNTING – FE350

| ITEM | PART NO. | DESCRIPTION | QTY |
|------|-----------|---|-----|
| | | 1 2 3 4 | |
| 1 | 1012830 | Screw, M8-125 X 22 Hex-Head | 2 |
| 2 | 101524002 | Bracket, Starter/Generator Mounting | 1 |
| 3 | 1015932 | Bolt, Carriage, 5/16-18 | 1 |
| 4 | 1016074 | Screw, M8-1.25 X 18mm Torx | 1 |
| 5 | 1016883 | Bracket, Starter/Generator Adjustment | 1 |
| 6 | 101837301 | Wire Assy, #6 Green | 1 |
| 7 | 101916701 | V-Belt | 1 |
| 8 | 1241 | Washer, 5/16 Type A Flat | 1 |
| 9 | 1242 | Nut, 5/16-18 Hex | 1 |
| 10 | 1624 | Screw, 3/8-16 X 1.50 Hex-Head Cap | 2 |
| 11 | 7174 | Lockwasher, 5/16 Split | 3 |
| 12 | 8754 | Locknut, 3/8-16 Hex | 2 |

6
G



000124-003

STARTER/GENERATOR ASSEMBLY – GASOLINE VEHICLES

| ITEM | PART NO. | DESCRIPTION | QTY |
|------|-----------|------------------------------------|-----|
| | | 1 2 3 4 | |
| 1 | 103347301 | Set, Brush Term, S-g | 1 |
| 2 | 103678502 | Asm, St/gen, Bi-rot, Ks, Svc | 1 |
| 3 | 103720102 | Assy, Frame Field, Util Ks | 1 |

6

G

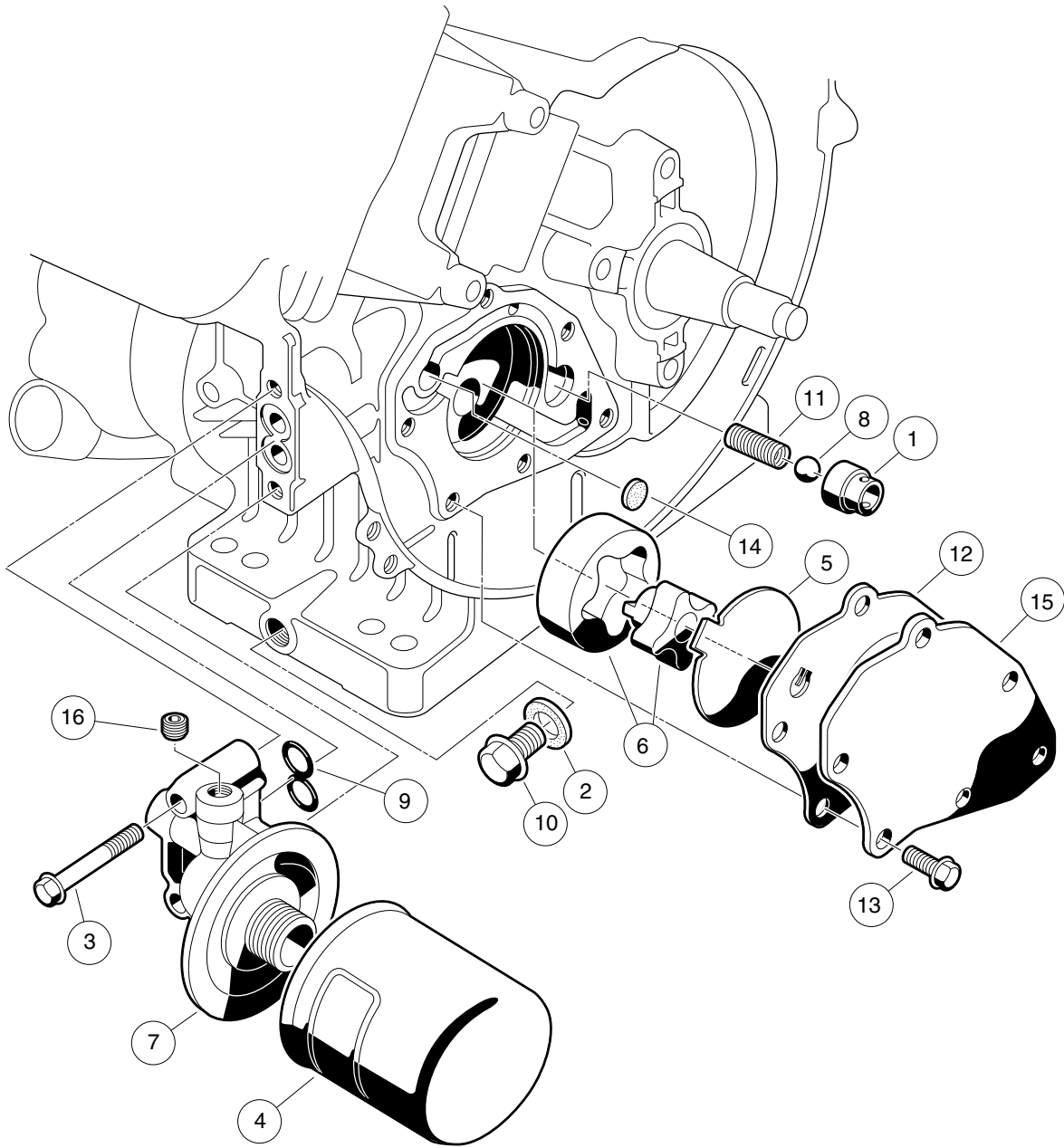
6

G

FE350 ENGINE – AS26

7

G



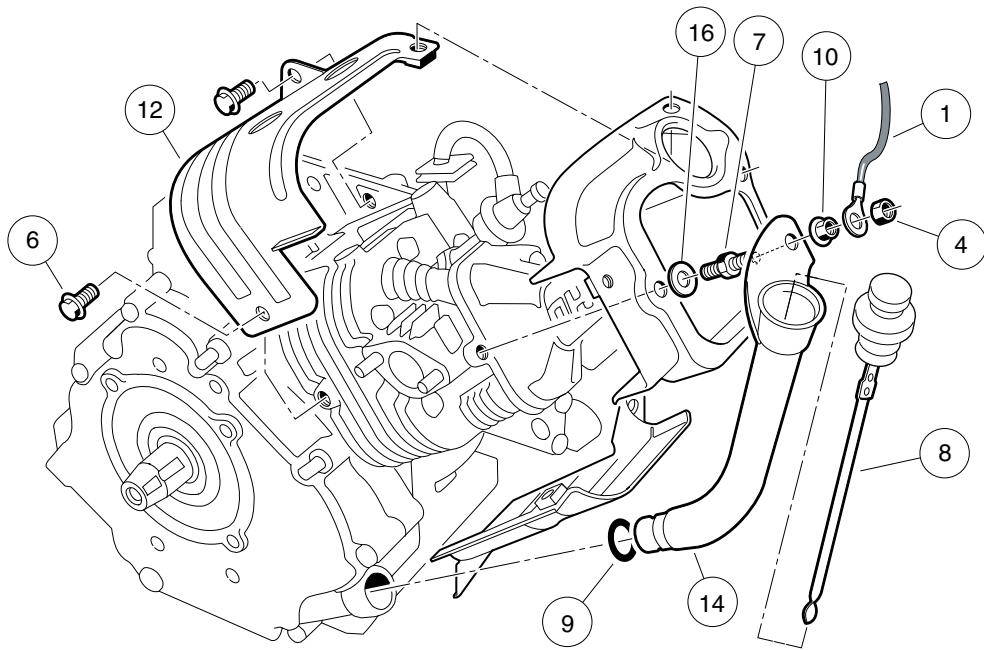
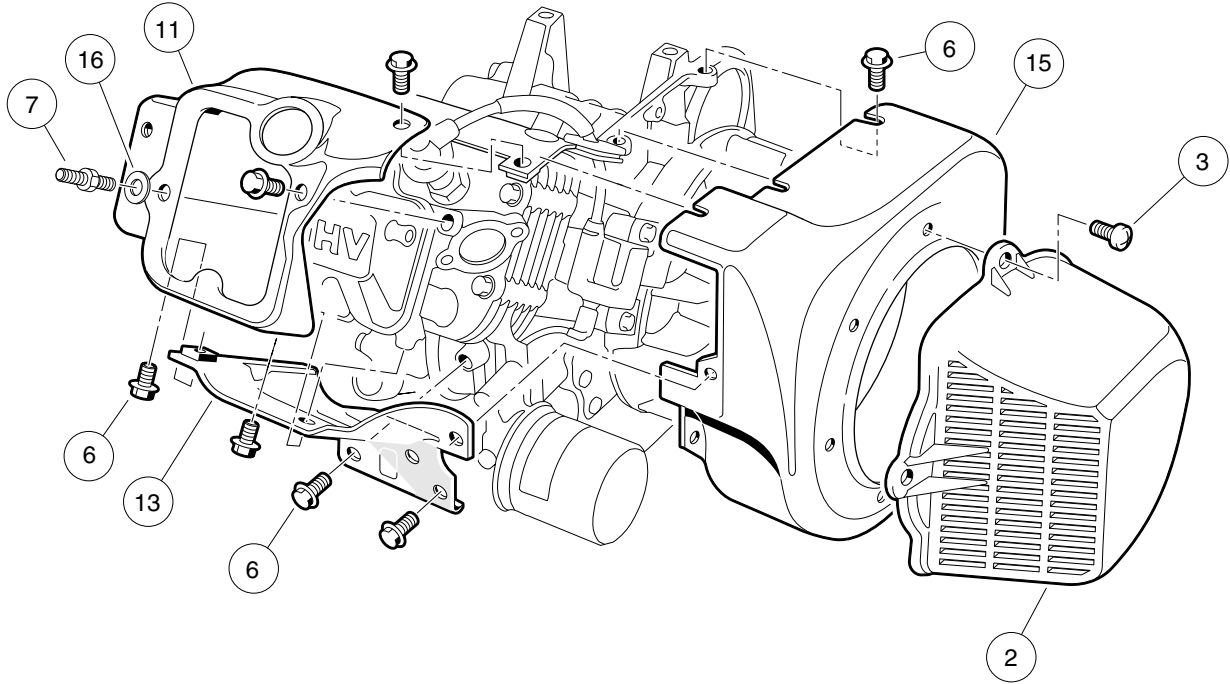
000203-001

FE350 ENGINE – OIL CIRCULATION

| ITEM | PART NO. | DESCRIPTION | QTY |
|------|-----------|------------------------------------|-----|
| | | 1 2 3 4 | |
| 1 | 1016429 | Seat, Value Oil Press Relief | 1 |
| 2 | 1016432 | Gasket, Drain Plug | 1 |
| 3 | 1016457 | Bolt, Flange Head | 2 |
| 4 | 1016467 | Filter, Oil | 1 |
| 5 | 1016473 | Plate, Oil Pump | 1 |
| 6 | 101648203 | Oil Pump And Rotor | 1 |
| 7 | 1016502 | Bracket, Oil Filter Mount | 1 |
| 8 | 1016537 | Ball, Steel, Press, Relief | 1 |
| 9 | 1016570 | O-Ring | 1 |
| 10 | 1016576 | Plug, Drain | 1 |
| 11 | 1016581 | Spring | 1 |
| 12 | 1017442 | Gasket | 1 |
| 13 | 1017456 | Bolt, Flanged | 6 |
| 14 | 1017458 | Filter | 1 |
| 15 | 1017460 | Cover, Pump | 1 |
| 16 | 1017507 | Plug | 2 |

7
G

7
G

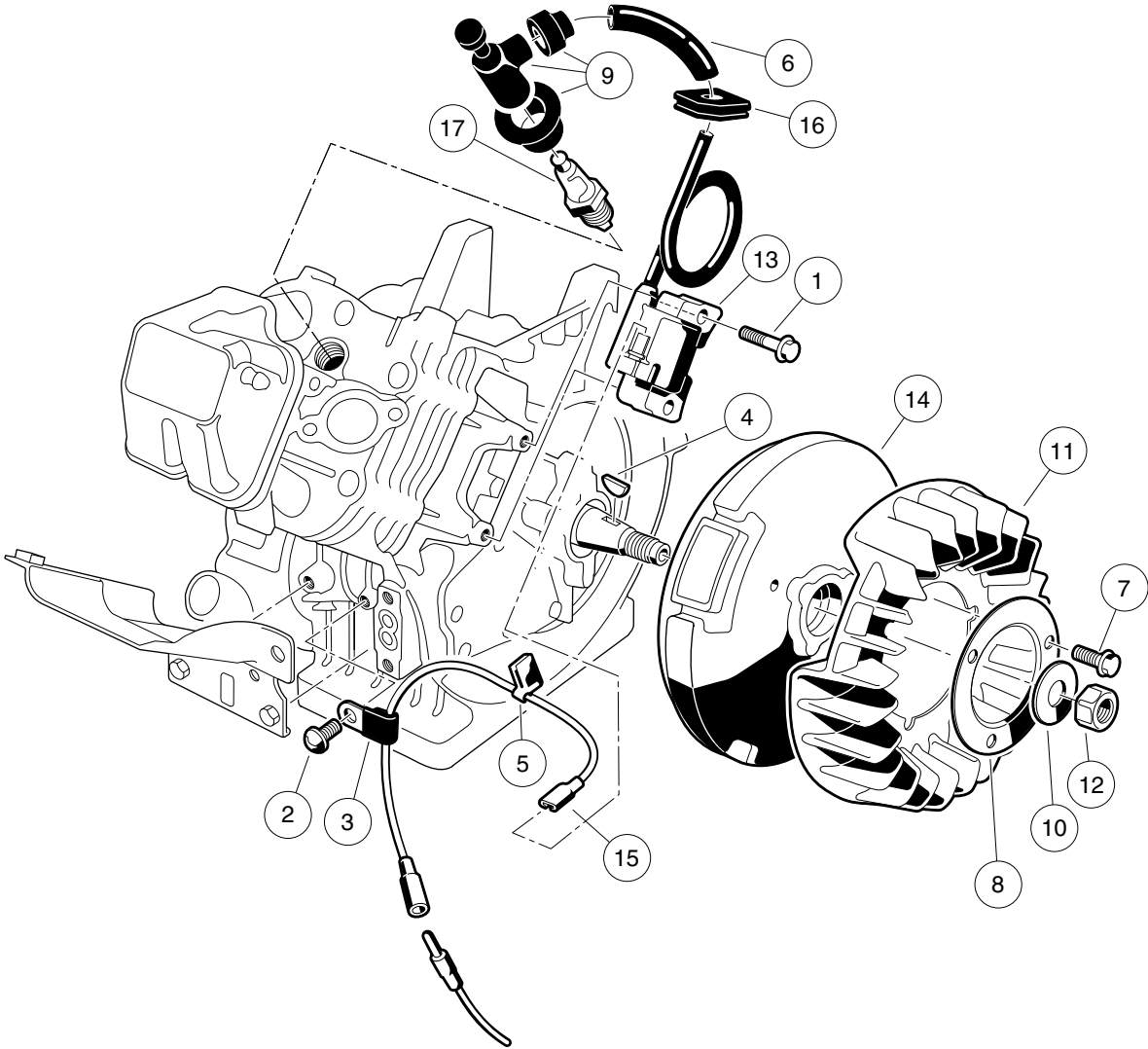


000201-002

AS26 FE350 ENGINE WITHOUT ACR (AUTOMATIC COMPRESSION RELEASE) – SHROUDS AND BRACKETS

| ITEM | PART NO. | DESCRIPTION | QTY |
|------|-----------|---|-----|
| | | 1 2 3 4 | |
| 1 | 1015332 | Wire Assembly, #10, Uninsulated | 1 |
| 2 | 1015649 | Shroud, Fan | 1 |
| 3 | 1015969 | Screw, M6-1.00 X 10mm Pan Hd | 4 |
| 4 | 101887601 | Locknut, M6-1.00 Nylon Insert | 1 |
| 5 | 103386201 | Engine, FE350 S26 (includes items 6 through 16) | 1 |
| 6 | 1016456 | Bolt, Flange Head, M6 x 1 x 12 mm | 16 |
| 7 | 1016507 | Bolt, Two-Ended | 2 |
| 8 | 1016531 | Dipstick | 1 |
| 9 | 1016539 | O-Ring | 1 |
| 10 | 1016547 | Nut, M6 Flange | 1 |
| 11 | 1017474 | Shroud, Engine | 1 |
| 12 | 1017475 | Shroud, Engine | 1 |
| 13 | 1017476 | Shroud, Engine | 1 |
| 14 | 1017486 | Tube, Oil Filler | 1 |
| 15 | 101916101 | Housing, FE350 Fan | 1 |
| 16 | N/A | Washer, 6mm Flat | 2 |

7
G

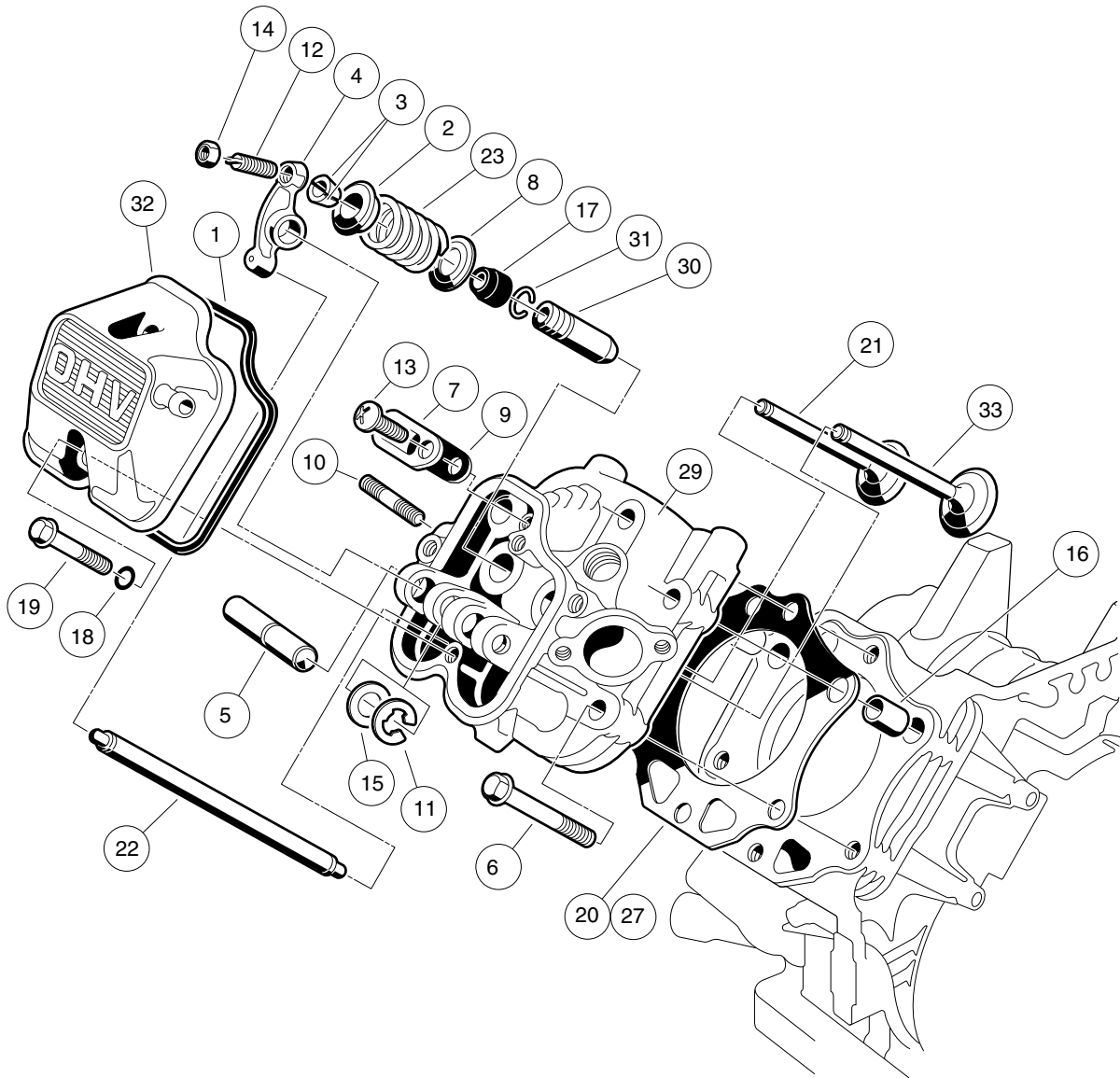


000202-002

AS26 FE350 ENGINE – IGNITION COMPONENTS AND FLYWHEEL

| ITEM | PART NO. | DESCRIPTION | QTY |
|------|-----------|-------------------------------|-----|
| | | 1 2 3 4 | |
| 1 | 1016455 | Bolt, Flange Head | 2 |
| 2 | 1016544 | Screw | 1 |
| 3 | 1016561 | Clamp | 1 |
| 4 | 1016562 | Key | 1 |
| 5 | 1016587 | Clamp | 1 |
| 6 | 1016588 | Tube, 7mm X 10mm X 70mm | 1 |
| 7 | 1017448 | Bolt, Flanged | 3 |
| 8 | 1017455 | Plate, Flywheel Fan | 1 |
| 9 | 1017463 | Cap Asm Plug | 1 |
| 10 | 1017490 | Washer, Flat | 1 |
| 11 | 101916301 | Fan (cw) | 1 |
| 12 | N/A | Nut, Hex, 18 mm Fine | 1 |
| 13 | 103616501 | Ignition, Coil Asm | 1 |
| 14 | 103616601 | Flywheel Comp | 1 |
| 15 | 103616701 | Ignition, Wire Lead | 1 |
| 16 | 103616801 | Ignition, Grommet | 1 |
| 17 | AM1232301 | Spark Plug, BPR2ES | 1 |

7
G



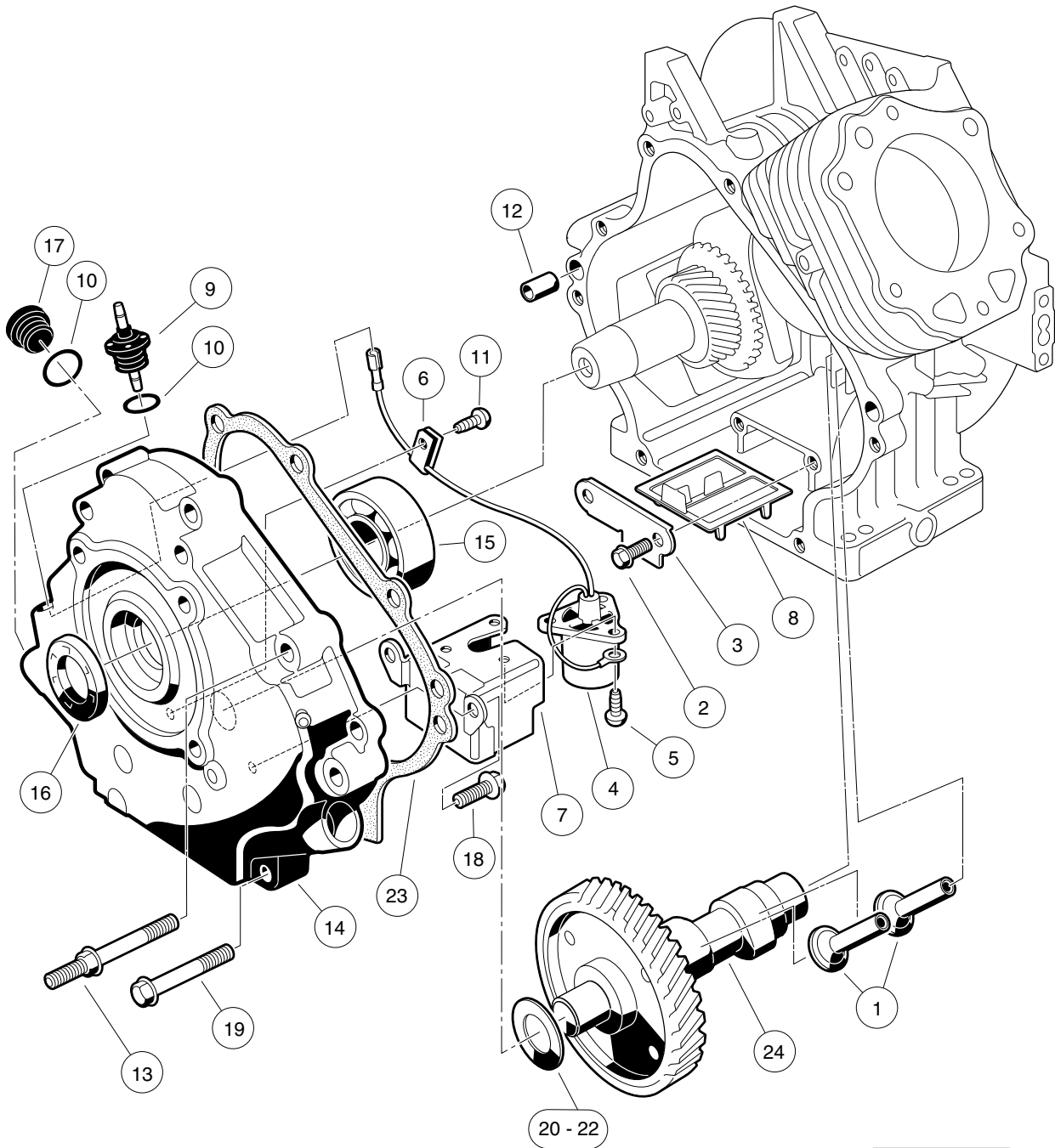
000204-002

AS26 FE350 ENGINE – CYLINDER HEAD

| ITEM | PART NO. | DESCRIPTION | QTY |
|------|-----------|---|-----|
| | | 1 2 3 4 | |
| 1 | 1016436 | Gasket, Rocker Case | 1 |
| 2 | 1016449 | Retainer, Valve Spring | 2 |
| 3 | 1016450 | Collet | 4 |
| 4 | 1016451 | Arm, Rocker | 2 |
| 5 | 1016452 | Shaft, Rocker | 1 |
| 6 | 1016458 | Bolt, Flange Head, M8 x 1.25 x 45 mm | 6 |
| 7 | 1016474 | Plate | 1 |
| 8 | 1016479 | Seat, Spring | 2 |
| 9 | 1016483 | Valve | 1 |
| 10 | 1016489 | Stud, Two-Ended, M8-1.25 | 2 |
| 11 | 1016517 | Circlip, Type-E | 1 |
| 12 | 1016542 | Screw | 2 |
| 13 | 1016544 | Screw | 1 |
| 14 | 1016545 | Nut | 2 |
| 15 | 1016549 | Washer, 12.1x19x1.8 | 1 |
| 16 | 1016563 | Pin | 2 |
| 17 | 1016566 | Seal, Oil | 2 |
| 18 | 1016569 | O-Ring | 2 |
| 19 | 1016583 | Bolt, 6x35 | 2 |
| 20 | 1017434 | Gasket, Head | 1 |
| 21 | 1017445 | Valve, Exhaust | 1 |
| 22 | 1017454 | Rod, Push | 2 |
| 23 | 1017473 | Spring, Engine Valve | 2 |
| 24 | 102304801 | Kit, Gasket, FE350 (includes items 25 through 28) | 1 |
| 25 | 1016440 | Gasket, Engine to Insulator | 1 |
| 26 | 1016904 | Gasket, Exhaust | 1 |
| 27 | 1017434 | Gasket, Head | 1 |
| 28 | 1017443 | Gasket, Crankcase Cover | 1 |
| 29 | 103615601 | Cylinder Head, Fe350 S26, S27 | 1 |
| 30 | 103615701 | Case, Rocker, Fe350 S26 S27 | 1 |
| 31 | 103616301 | Valve, Intake, Hard Tip | 1 |
| | | Note: Item 24 is not a component of the FE350 engine. | |

7

G

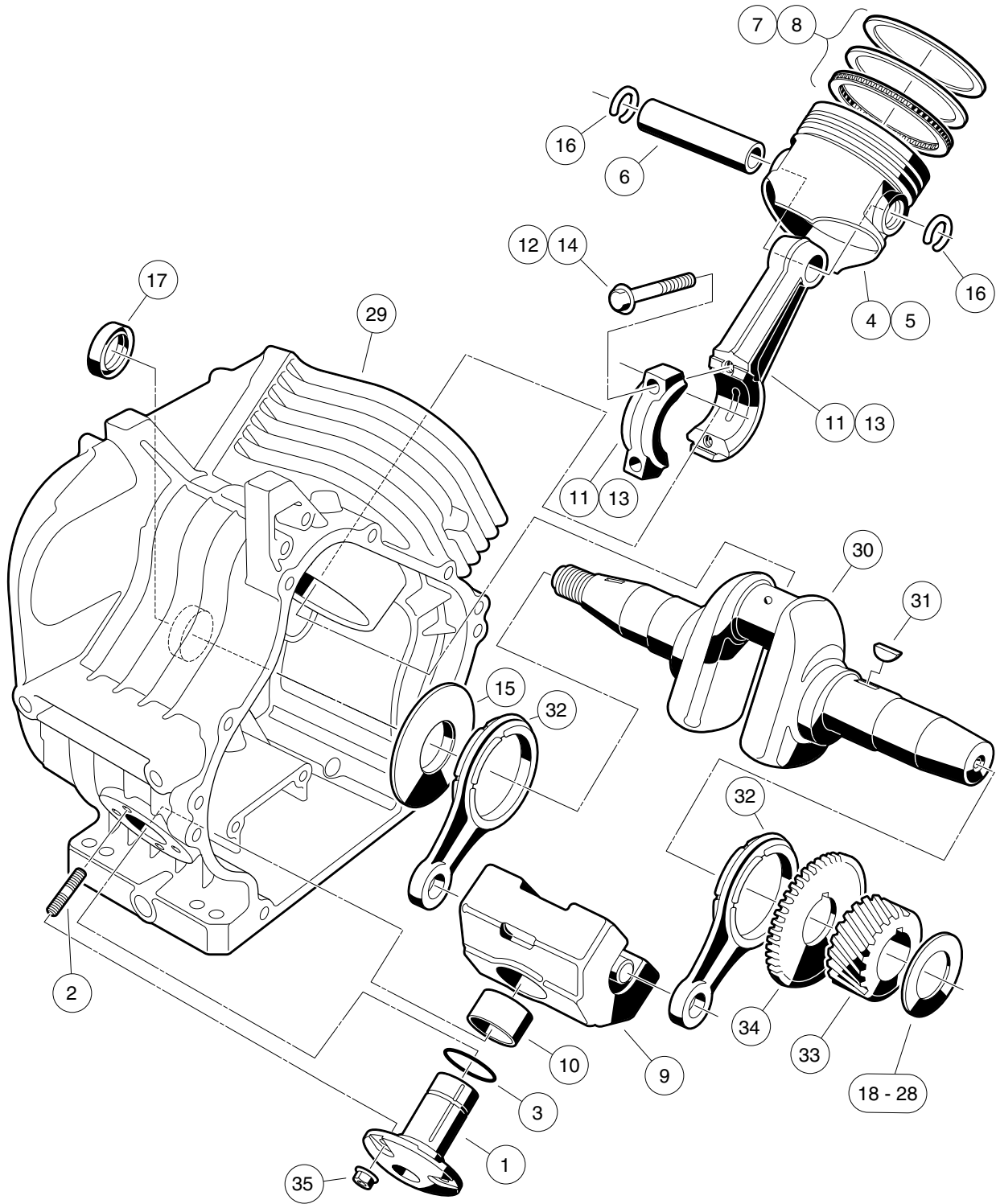


000205-003

AS26 FE350 ENGINE – CRANKCASE AND CRANKSHAFT OIL SENSOR

| ITEM | PART NO. | DESCRIPTION | QTY |
|------|-----------|--|-----|
| | | 1 2 3 4 | |
| 1 | 1016453 | Tappet | 2 |
| 2 | 1016454 | Bolt, Flange Head, M5 x 0.8 x 8 mm | 2 |
| 3 | 1016472 | Plate, Oil Filter Screen | 1 |
| 4 | 1016494 | Sensor, Oil Level | 1 |
| 5 | 1016496 | Screw, Cross Pan-Head, M4 x 0.7 x 8 mm | 3 |
| 6 | 1016506 | Clamp | 1 |
| 7 | 1016510 | Bracket, Switch, Oil Level | 1 |
| 8 | 1016521 | Screen, Oil Filter | 1 |
| 9 | 1016535 | Connector, Cord | 1 |
| 10 | 1016538 | O-Ring | 2 |
| 11 | 1016544 | Screw | 1 |
| 12 | 1016564 | Pin | 2 |
| 13 | 1016584 | Bolt, Two-Ended, M8 x 1.25 x 69 mm | 2 |
| 14 | 1017472 | Cover Crankcase | 1 |
| 15 | 1017487 | Bearing, Ball | 1 |
| 16 | 1017504 | Seal, Oil | 1 |
| 17 | 1017508 | Plug | 1 |
| 18 | 1017513 | Bolt Switch Bracket | 2 |
| 19 | 1017514 | Screw, M8-1.25 X 45mm Hex | 6 |
| 20 | 101751801 | Shim, 0.3 | A/R |
| 21 | 101751802 | Shim, 0.4 | A/R |
| 22 | 101751803 | Shim, 0.5 | A/R |
| 23 | 103615901 | Gasket, Crankcase Cover | 1 |
| 24 | 103616401 | Camshaft Comp | 1 |

7
G



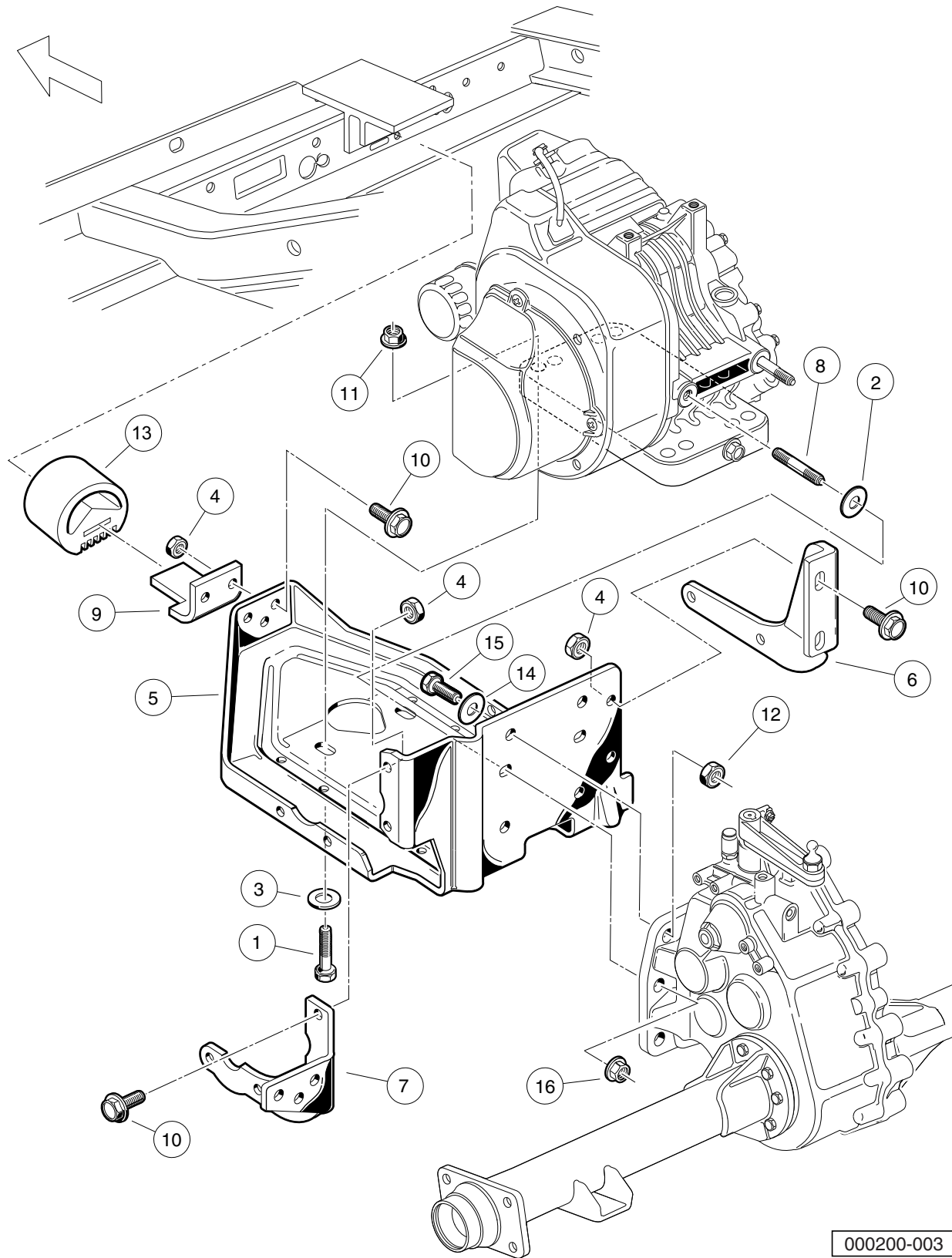
000206-001

AS26 FE350 ENGINE – CRANKCASE AND CRANKSHAFT

| ITEM | PART NO. | DESCRIPTION | QTY |
|------|-----------|--|-----|
| | | 1 2 3 4 | |
| 1 | 1016470 | Shaft, Guide, Counterbalance | 1 |
| 2 | 1016541 | Stud, 6x14 | 4 |
| 3 | 1016571 | O-Ring | 1 |
| 4 | 101744901 | Piston, Standard | 1 |
| 5 | 101744902 | Piston, 0.50 mm Oversize | 1 |
| 6 | 1017450 | Pin, Piston | 1 |
| 7 | 101745101 | Ring Set, Standard Piston | 1 |
| 8 | 101745102 | Ring Set, Piston, 0.50 mm Oversize | 1 |
| 9 | 1017453 | Fe400 Counterbalance Weight (includes item 10) | 1 |
| 10 | 1017510 | Bearing, Plain | 1 |
| 11 | 101745701 | Asm, Con. Rod Std (includes item 12) | 1 |
| 12 | 1017512 | Bolt | 2 |
| 13 | 101745702 | Rod Assembly Connecting Rod 0.5mm (includes item 14) | 1 |
| 14 | 1017512 | Bolt | 2 |
| 15 | 1017501 | Spacer | 1 |
| 16 | 1017502 | Snap Ring | 2 |
| 17 | 1017503 | Seal, Oil | 1 |
| 18 | 101773301 | Shim, Crankshaft, 1.18mm | A/R |
| 19 | 101773302 | Shim, Crankshaft, 1.25mm | A/R |
| 20 | 101773303 | Shim, Crankshaft, 1.32mm | A/R |
| 21 | 101773304 | Shim, Crankshaft, 1.39mm | A/R |
| 22 | 101773305 | Shim, Crankshaft, 1.46mm | A/R |
| 23 | 101773306 | Shim, Crankshaft, 1.53mm | A/R |
| 24 | 101773307 | Shim, Crankshaft, 1.60mm | A/R |
| 25 | 101773308 | Shim, Crankshaft, 1.67mm | A/R |
| 26 | 101773309 | Shim, Crankshaft, 1.74mm | A/R |
| 27 | 101773310 | Shim, Crankshaft, 1.11mm | A/R |
| 28 | 101773311 | Shim, Crankshaft, 1.81mm | A/R |
| 29 | 103615801 | Crankcase, Fe350 S26 S27 | 1 |
| 30 | N/A | Crankshaft, Complete (includes items 31 through 34) | 1 |
| 31 | 1016562 | Key | 1 |
| 32 | 1017471 | Rod | 2 |
| 33 | N/A | Gear, Helical | 1 |
| 34 | N/A | Gear, Spur | 1 |
| 35 | 103616201 | Nut, M6 Flange | 4 |

7
G

7
G



000200-003

FE350 ENGINE MOUNTING

| ITEM | PART NO. | DESCRIPTION | QTY |
|------|-----------|---------------------------------------|-----|
| | | 1 2 3 4 | |
| 1 | 1010577 | Bolt, Hex-Head, 5/16-18 X 1.50 | 4 |
| 2 | 1011697 | Washer, 5/16 Flat | 2 |
| 3 | 1012571 | Washer, 5/16 Extra Thick Flat | 4 |
| 4 | 1013924 | Nut, 5/16-24 Hex Head Cone | 10 |
| 5 | 101827101 | Plate, Engine Mounting | 1 |
| 6 | 101832601 | Stiffener (PTO Side) | 1 |
| 7 | 101832701 | Stiffener (Flywheel Side) | 1 |
| 8 | 101833101 | Stud, M8-1.25 X 50 mm Two-Ended | 2 |
| 9 | 101834601 | Snubber Bracket | 1 |
| 10 | 101884801 | Screw, 5/16-24 X 0.875 Grade-8 | 10 |
| 11 | 101963401 | Locknut, 5/16-18 Hex Flange | 4 |
| 12 | 102065901 | Locknut, 3/8-16 Flanged Dimple | 4 |
| 13 | 102540301 | Inner Frame Snubber | 1 |
| 14 | 334 | Washer, 3/8 Type A Flat | 4 |
| 15 | 705 | Screw, Cap-hex Hd 3/8-16x1.25 | 4 |
| 16 | 96704416 | Nut Flg, M8 X 1.25 Serrated | 2 |

7

G

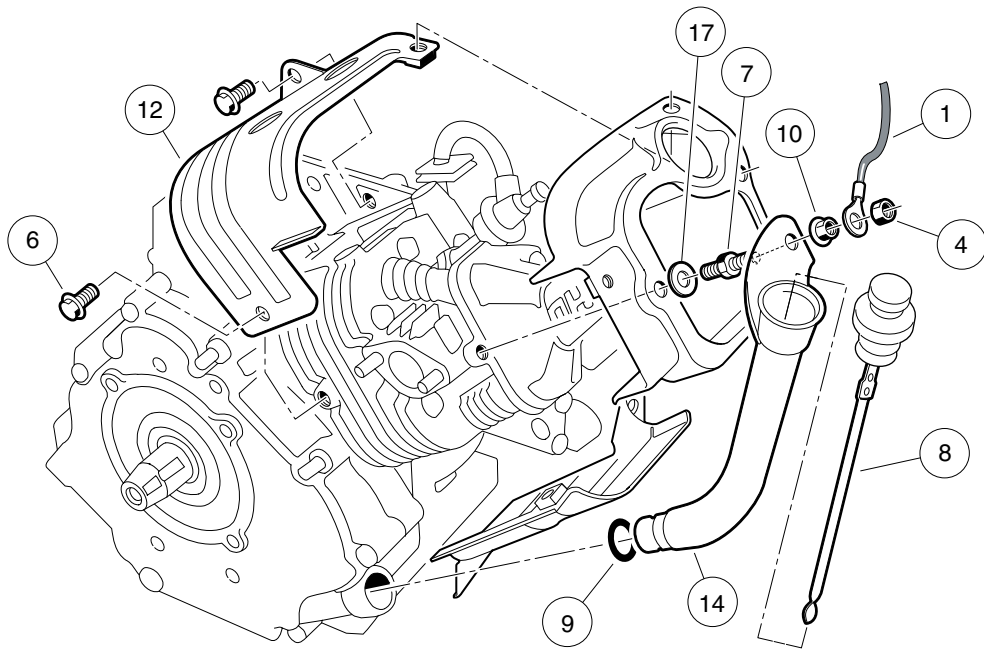
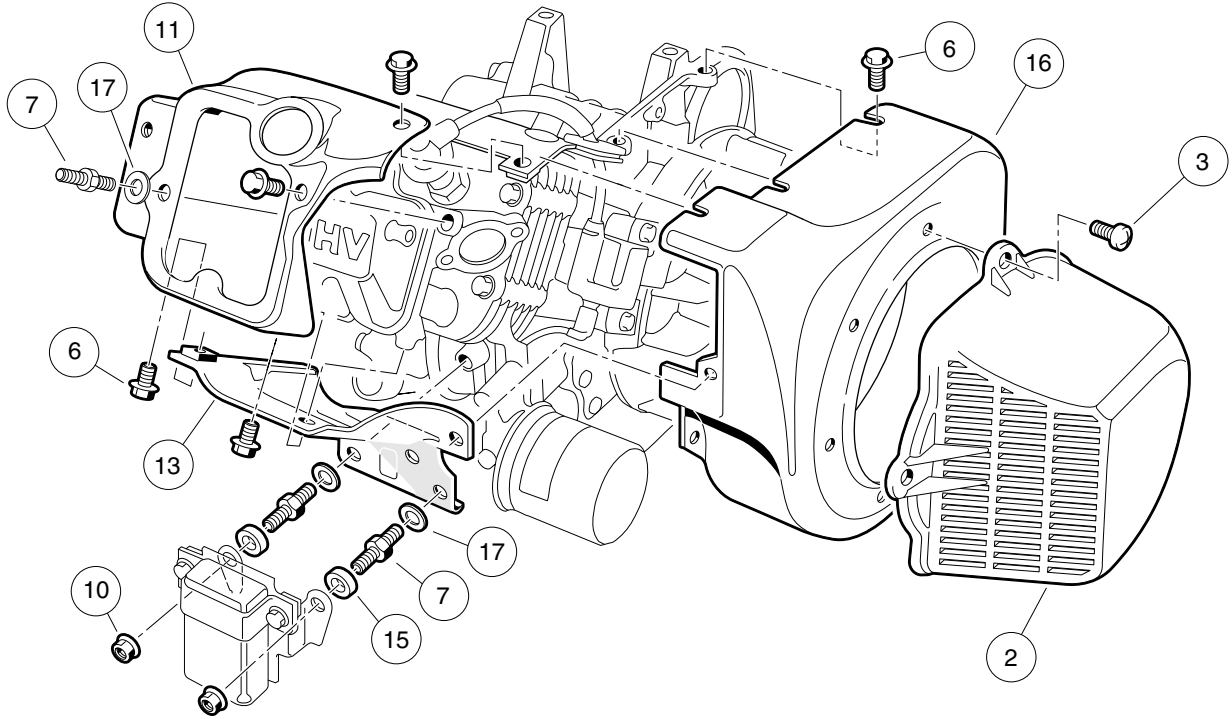
7

G

AS11 FE350 ENGINE

8

G



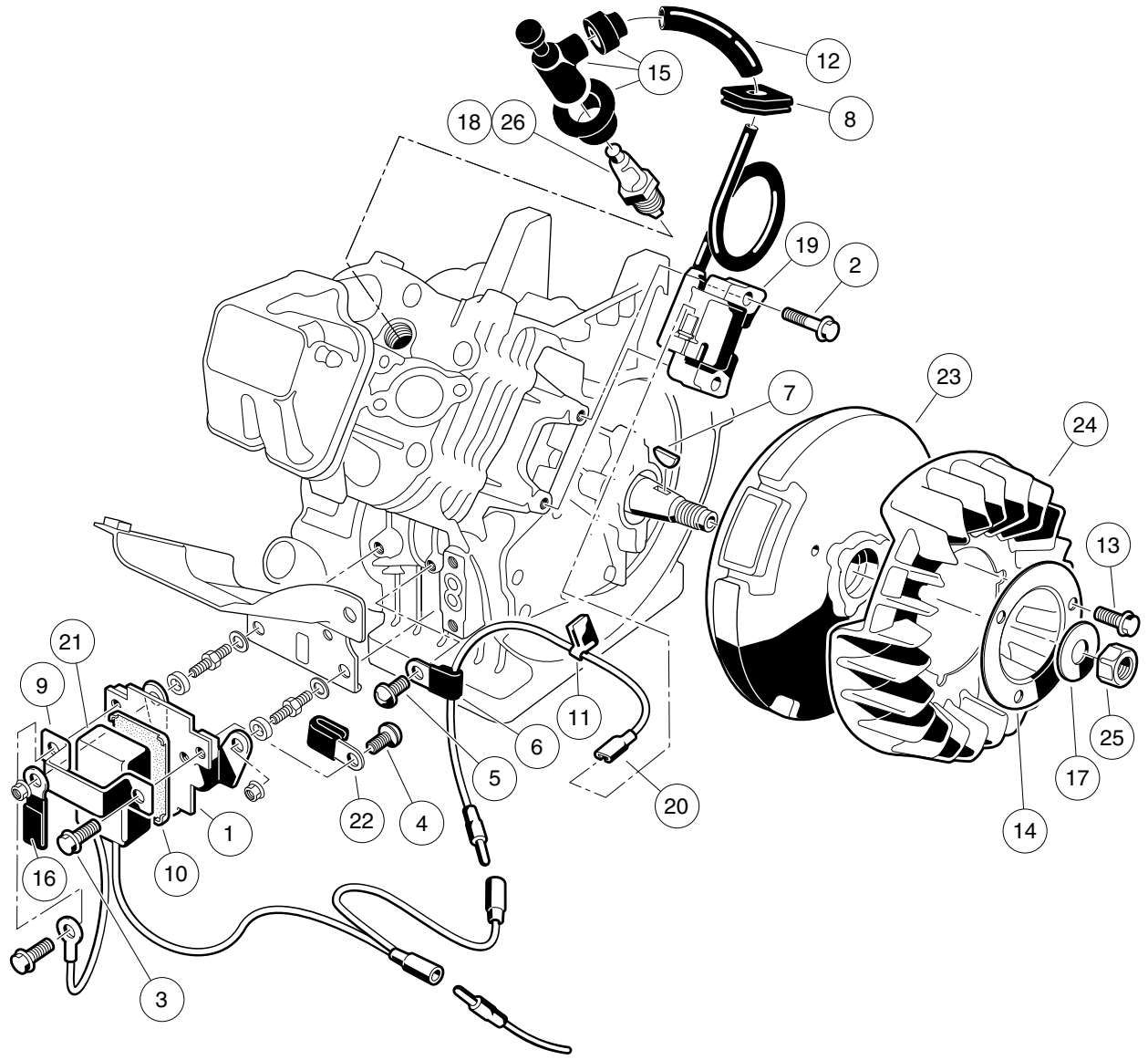
000201-001

AS11 FE350 ENGINE WITHOUT ACR (AUTOMATIC COMPRESSION RELEASE) – SHROUDS AND BRACKETS

| ITEM | PART NO. | DESCRIPTION | QTY |
|---|-----------|--|-----|
| | | 1 2 3 4 | |
| 1 | 1015332 | Wire Assembly, #10, Uninsulated | 1 |
| 2 | 1015649 | Shroud, Fan | 1 |
| 3 | 1015969 | Screw, M6-1.00 X 10mm Pan Hd | 4 |
| 4 | 101887601 | Locknut, M6-1.00 Nylon Insert | 1 |
| 5 | 101953802 | Engine, FE350 (cw) without ACR * (includes items 6 through 17) | 1 |
| 6 | 1016456 | Bolt, Flange Head, M6 x 1 x 12 mm | 14 |
| 7 | 1016507 | Bolt, Two-Ended | 3 |
| 8 | 1016531 | Dipstick | 1 |
| 9 | 1016539 | O-Ring | 1 |
| 10 | 1016547 | Nut, M6 Flange | 3 |
| 11 | 1017474 | Shroud, Engine | 1 |
| 12 | 1017475 | Shroud, Engine | 1 |
| 13 | 1017476 | Shroud, Engine | 1 |
| 14 | 1017486 | Tube, Oil Filler | 1 |
| 15 | 1017500 | Spacer 6.50 X 12 X 5.5 | 2 |
| 16 | 101916101 | Housing, FE350 Fan | 1 |
| 17 | N/A | Washer, 6mm Flat | 3 |
| * Note: FE350 engine component listings span several pages. | | | |

8

G

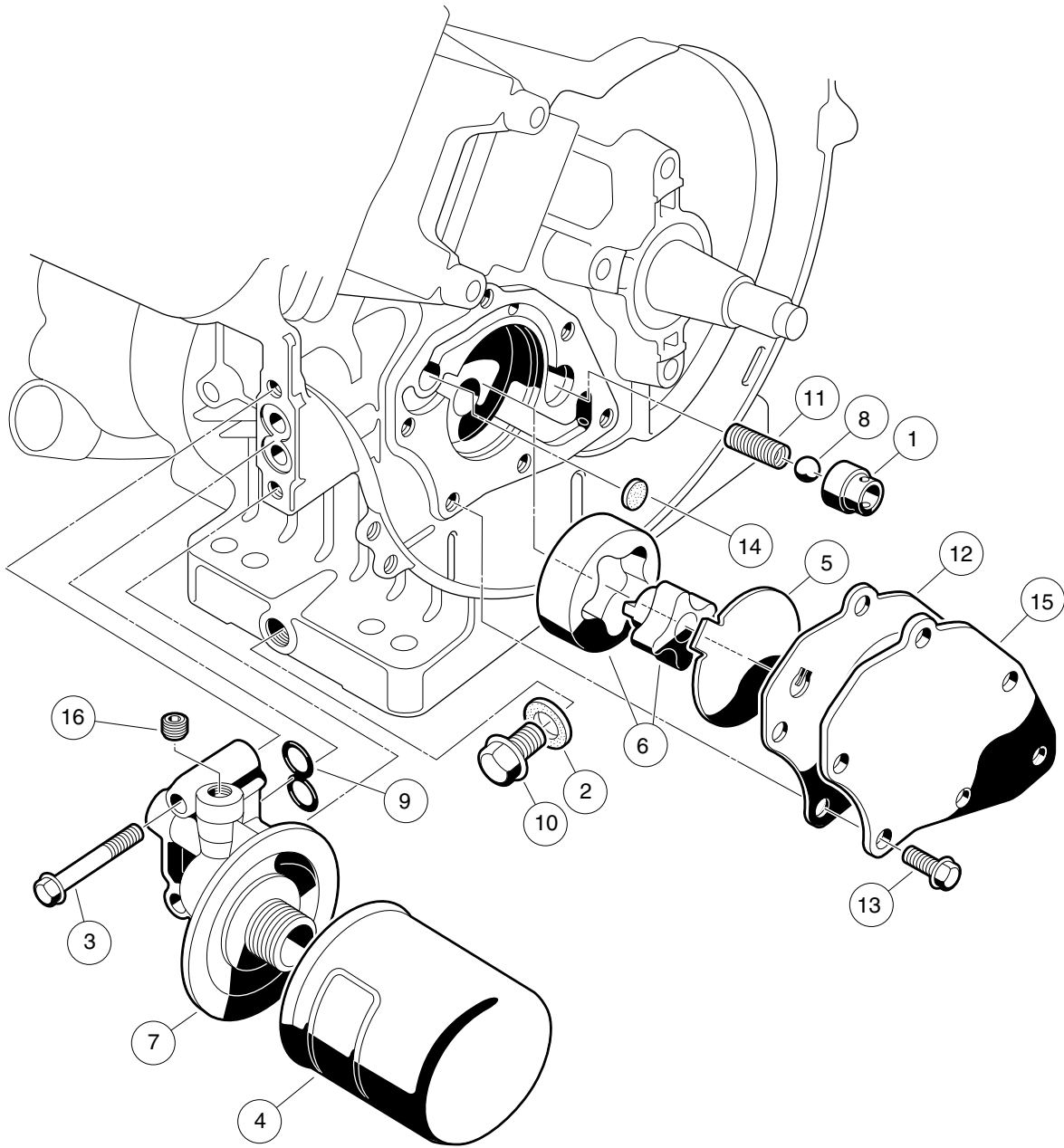


000202-001

AS11 FE350 ENGINE – IGNITION COMPONENTS AND FLYWHEEL

| ITEM | PART NO. | DESCRIPTION | QTY |
|------|-----------|---|-----|
| | | 1 2 3 4 | |
| 1 | 1016445 | Bracket, RPM Limiter | 1 |
| 2 | 1016455 | Bolt, Flange Head | 2 |
| 3 | 1016456 | Bolt, Flange Head, M6 x 1 x 12 mm | 2 |
| 4 | 1016497 | Screw, Pan WP Cross | 1 |
| 5 | 1016544 | Screw | 1 |
| 6 | 1016561 | Clamp | 1 |
| 7 | 1016562 | Key | 1 |
| 8 | 1016578 | Ignition, Grommet | 1 |
| 9 | 1016579 | Band, RPM Limiter Mount | 1 |
| 10 | 1016586 | Damper, RPM Limiter | 1 |
| 11 | 1016587 | Clamp | 1 |
| 12 | 1016588 | Tube, 7mm X 10mm X 70mm | 1 |
| 13 | 1017448 | Bolt, Flanged | 3 |
| 14 | 1017455 | Plate, Flywheel Fan | 1 |
| 15 | 1017463 | Cap Asm Plug | 1 |
| 16 | 1017468 | Clamp | 1 |
| 17 | 1017490 | Washer, Flat | 1 |
| 18 | 101881101 | Spark Plug, OHV (Autolite) | 1 |
| 19 | 101909201 | Coil, Ignition | 1 |
| 20 | 101909301 | Lead Wire Assy | 1 |
| 21 | 101909401 | Limiter, RPM | 1 |
| 22 | N/A | Clamp, Steel | 1 |
| 23 | 101916201 | Flywheel | 1 |
| 24 | 101916301 | Fan (cw) | 1 |
| 25 | N/A | Nut, Hex, 18 mm Fine | 1 |
| 26 | AM10724 | Spark Plug, OHV (NGK) | 1 |

8
G



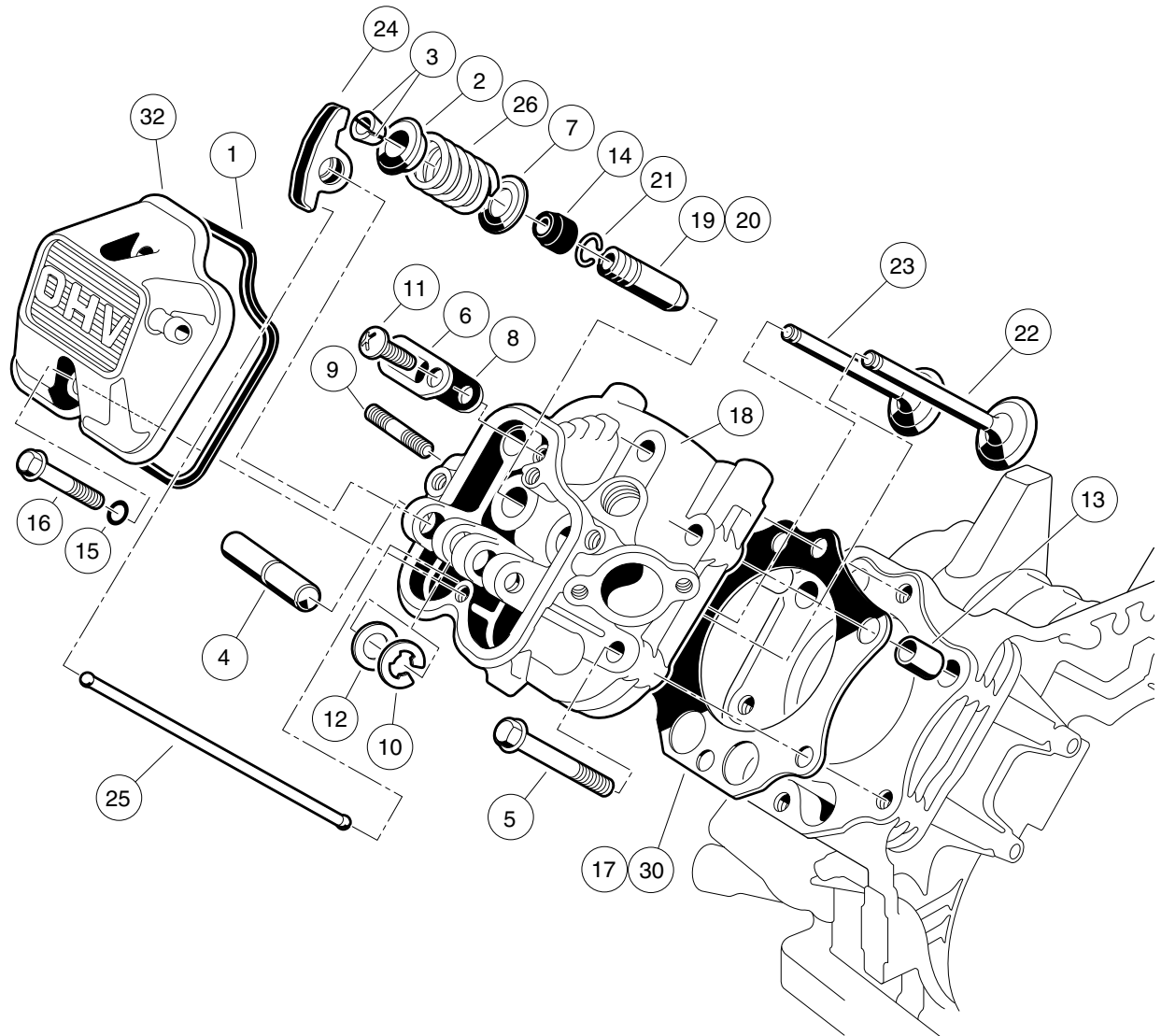
000203-001

FE350 ENGINE – OIL CIRCULATION

| ITEM | PART NO. | DESCRIPTION | QTY |
|------|-----------|------------------------------------|-----|
| | | 1 2 3 4 | |
| 1 | 1016429 | Seat, Value Oil Press Relief | 1 |
| 2 | 1016432 | Gasket, Drain Plug | 1 |
| 3 | 1016457 | Bolt, Flange Head | 2 |
| 4 | 1016467 | Filter, Oil | 1 |
| 5 | 1016473 | Plate, Oil Pump | 1 |
| 6 | 101648203 | Oil Pump And Rotor | 1 |
| 7 | 1016502 | Bracket, Oil Filter Mount | 1 |
| 8 | 1016537 | Ball, Steel, Press, Relief | 1 |
| 9 | 1016570 | O-Ring | 1 |
| 10 | 1016576 | Plug, Drain | 1 |
| 11 | 1016581 | Spring | 1 |
| 12 | 1017442 | Gasket | 1 |
| 13 | 1017456 | Bolt, Flanged | 6 |
| 14 | 1017458 | Filter | 1 |
| 15 | 1017460 | Cover, Pump | 1 |
| 16 | 1017507 | Plug | 2 |

8

G



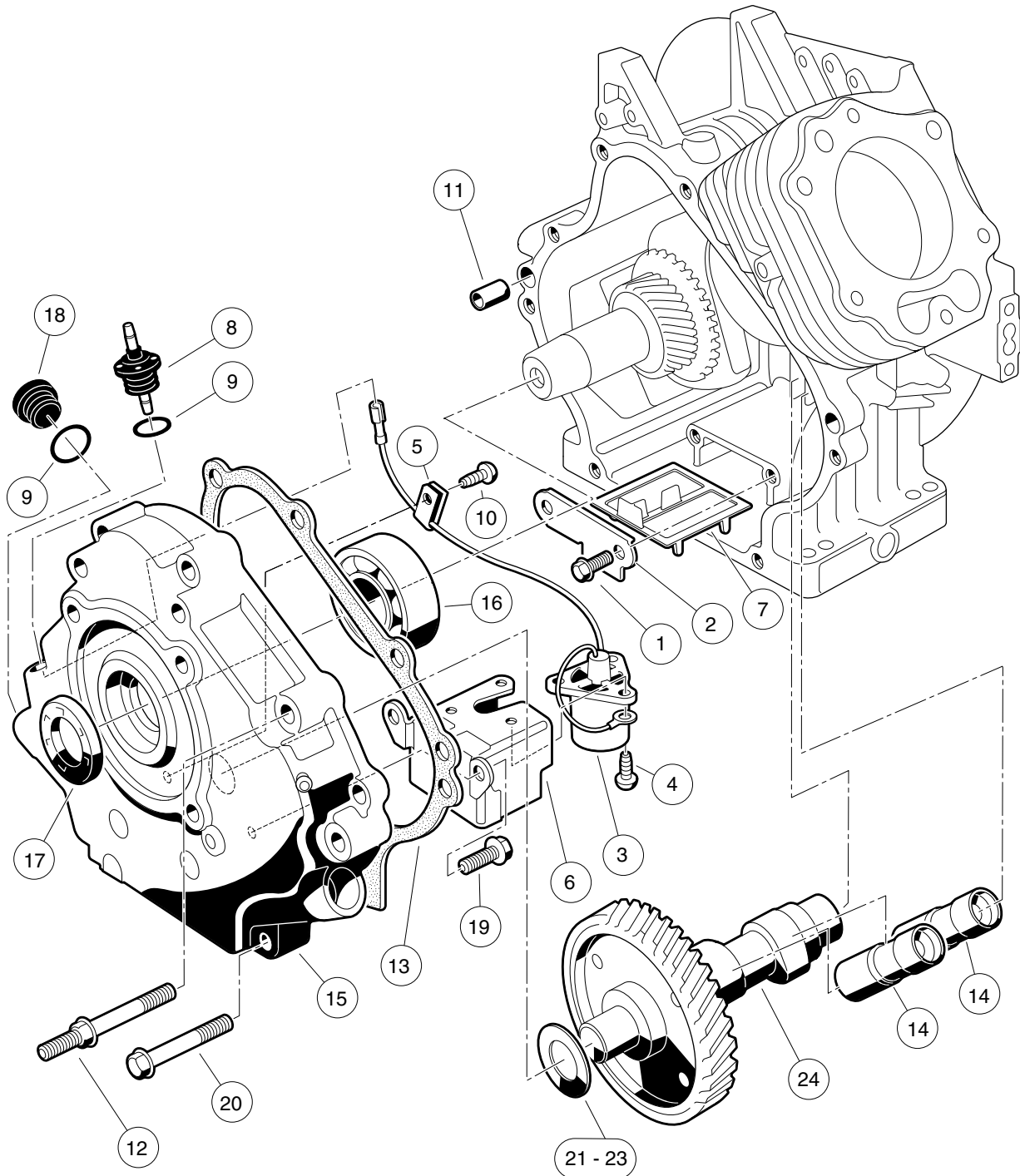
000204-001

AS11 FE350 ENGINE – CYLINDER HEAD

| ITEM | PART NO. | DESCRIPTION | QTY |
|------|-----------|---|-----|
| | | 1 2 3 4 | |
| 1 | 1016436 | Gasket, Rocker Case | 1 |
| 2 | 1016449 | Retainer, Valve Spring | 2 |
| 3 | 1016450 | Collet | 4 |
| 4 | 1016452 | Shaft, Rocker | 1 |
| 5 | 1016458 | Bolt, Flange Head, M8 x 1.25 x 45 mm | 6 |
| 6 | 1016474 | Plate | 1 |
| 7 | 1016479 | Seat, Spring | 2 |
| 8 | 1016483 | Valve | 1 |
| 9 | 1016489 | Stud, Two-Ended, M8-1.25 | 2 |
| 10 | 1016517 | Circlip, Type-E | 1 |
| 11 | 1016544 | Screw | 1 |
| 12 | 1016549 | Washer, 12.1x19x1.8 | 1 |
| 13 | 1016563 | Pin | 2 |
| 14 | 1016566 | Seal, Oil | 2 |
| 15 | 1016569 | O-Ring | 2 |
| 16 | 1016583 | Bolt, 6x35 | 2 |
| 17 | 1017434 | Gasket, Head | 1 |
| 18 | 1017435 | Assembly, Cylinder Head, FE350 (includes items 19 through 21) | 1 |
| 19 | 1016518 | Guide, Valve, Exhaust | 1 |
| 20 | 1016519 | Guide, Valve | 1 |
| 21 | 1016560 | Snap Ring | 2 |
| 22 | 1017444 | Valve, Intake | 1 |
| 23 | 1017445 | Valve, Exhaust | 1 |
| 24 | 1017446 | Arm, Rocker | 2 |
| 25 | 1017454 | Rod, Push | 2 |
| 26 | 1017473 | Spring, Engine Valve | 2 |
| 27 | 102304801 | Kit, Gasket, FE350 (includes items 28 through 31) | 1 |
| 28 | 1016440 | Gasket, Engine to Insulator | 1 |
| 29 | 1016904 | Gasket, Exhaust | 1 |
| 30 | 1017434 | Gasket, Head | 1 |
| 31 | 1017443 | Gasket, Crankcase Cover | 1 |
| 32 | 102753401 | Case, Rocker | 1 |
| | | Note: Item 28 is not a component of the FE350 engine. | |

8

G

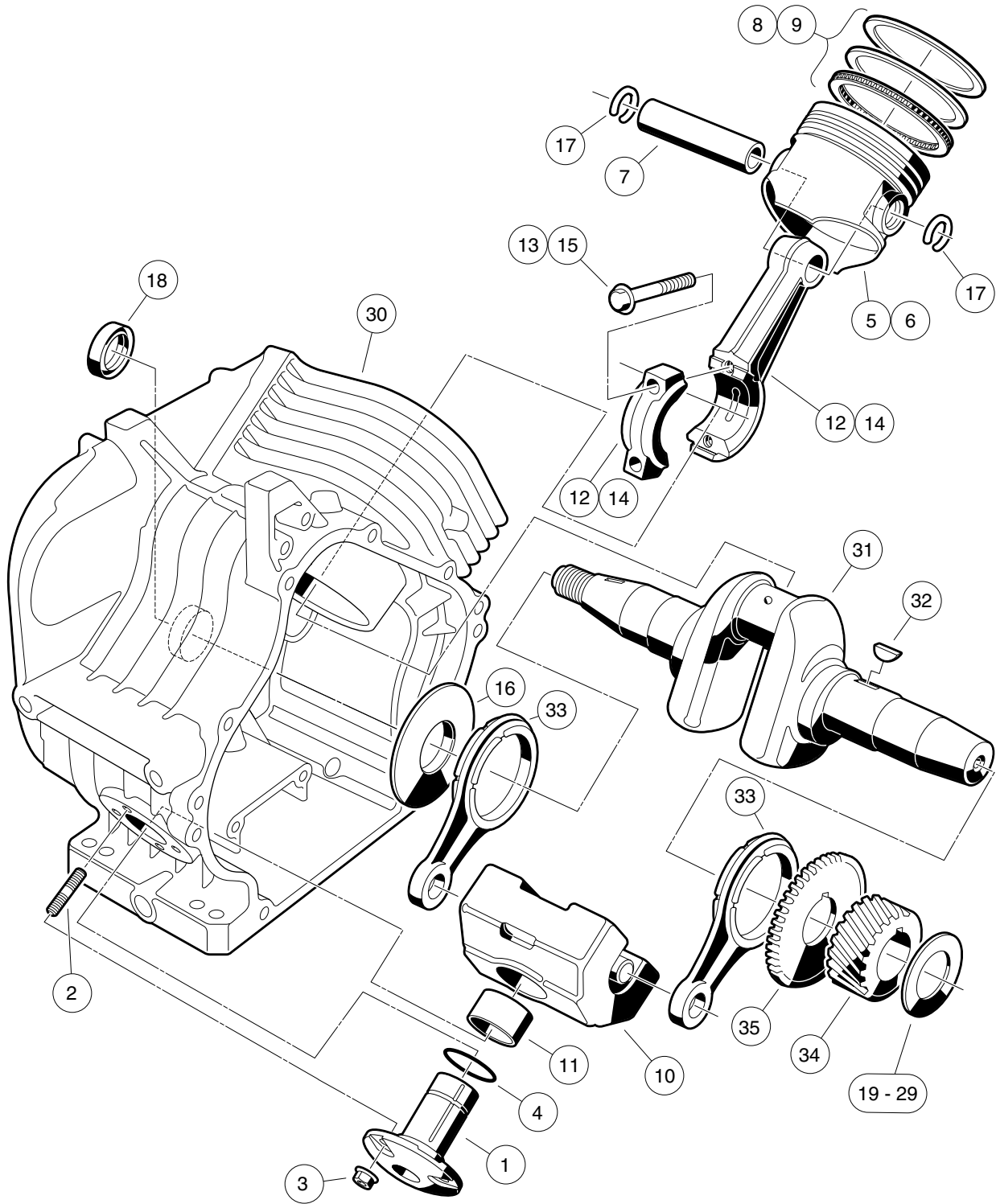


000205-002

AS11 FE350 ENGINE WITHOUT ACR – CRANKCASE, CAMSHAFT, AND OIL SENSOR

| ITEM | PART NO. | DESCRIPTION | QTY |
|------|-----------|--|-----|
| | | 1 2 3 4 | |
| 1 | 1016454 | Bolt, Flange Head, M5 x 0.8 x 8 mm | 2 |
| 2 | 1016472 | Plate, Oil Filter Screen | 1 |
| 3 | 1016494 | Sensor, Oil Level | 1 |
| 4 | 1016496 | Screw, Cross Pan-Head, M4 x 0.7 x 8 mm | 3 |
| 5 | 1016506 | Clamp | 1 |
| 6 | 1016510 | Bracket, Switch, Oil Level | 1 |
| 7 | 1016521 | Screen, Oil Filter | 1 |
| 8 | 1016535 | Connector, Cord | 1 |
| 9 | 1016538 | O-Ring | 2 |
| 10 | 1016544 | Screw | 1 |
| 11 | 1016564 | Pin | 2 |
| 12 | 1016584 | Bolt, Two-Ended, M8 x 1.25 x 69 mm | 2 |
| 13 | 1017443 | Gasket, Crankcase Cover | 1 |
| 14 | 1017447 | Adjuster, Lash | 2 |
| 15 | 1017472 | Cover Crankcase | 1 |
| 16 | 1017487 | Bearing, Ball | 1 |
| 17 | 1017504 | Seal, Oil | 1 |
| 18 | 1017508 | Plug | 1 |
| 19 | 1017513 | Bolt Switch Bracket | 2 |
| 20 | 1017514 | Screw, M8-1.25 X 45mm Hex | 6 |
| 21 | 101751801 | Shim, 0.3 | A/R |
| 22 | 101751802 | Shim, 0.4 | A/R |
| 23 | 101751803 | Shim, 0.5 | A/R |
| 24 | 102431001 | Camshaft, FE350 without ACR, 44-Tooth | 1 |

8
G



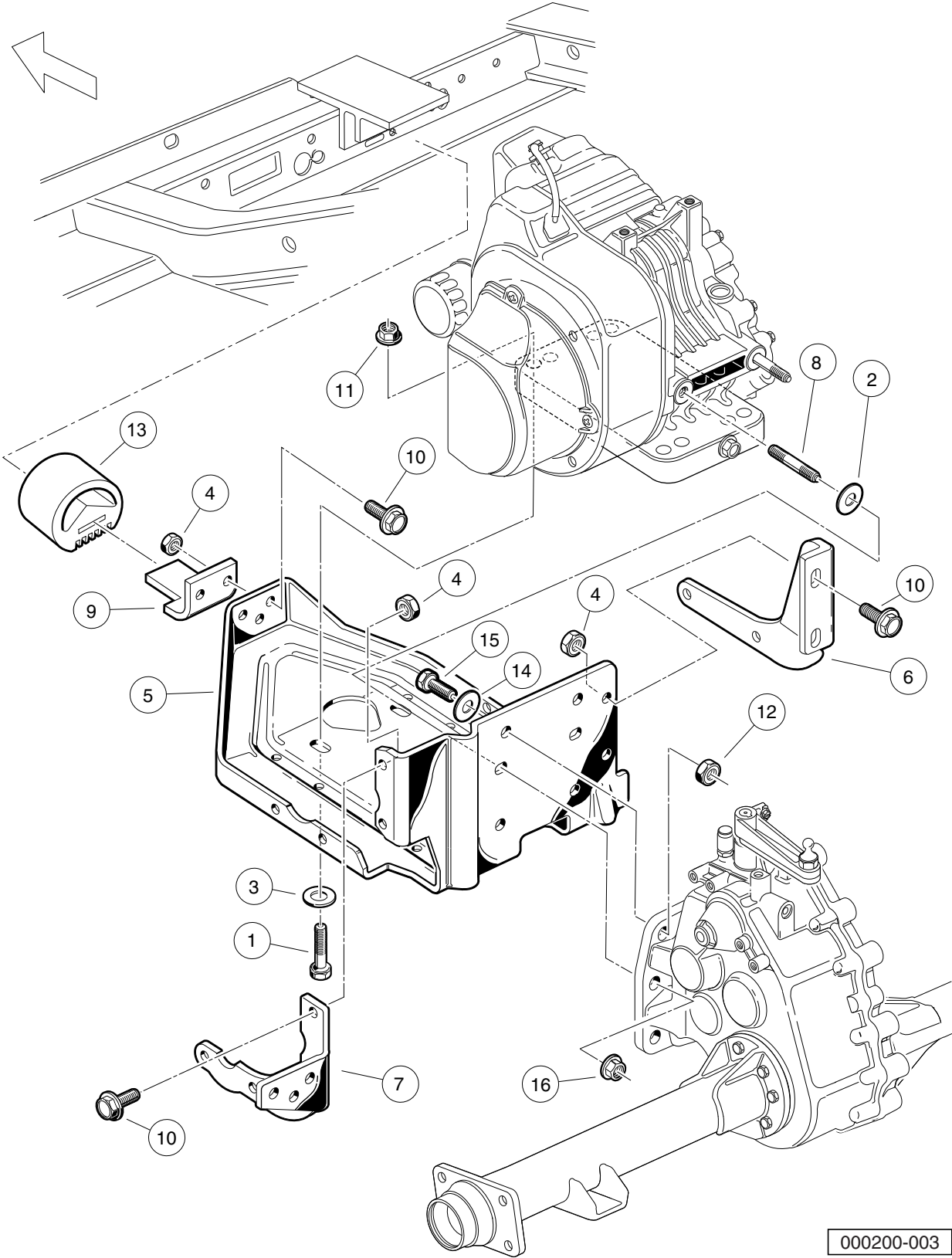
000206-001

AS11 FE350 ENGINE – CRANKCASE AND CRANKSHAFT

| ITEM | PART NO. | DESCRIPTION | QTY |
|------|-----------|--|-----|
| | | 1 2 3 4 | |
| 1 | 1016470 | Shaft, Guide, Counterbalance | 1 |
| 2 | 1016541 | Stud, 6x14 | 4 |
| 3 | 1016547 | Nut, M6 Flange | 4 |
| 4 | 1016571 | O-Ring | 1 |
| 5 | 101744901 | Piston, Standard | 1 |
| 6 | 101744902 | Piston, 0.50 mm Oversize | 1 |
| 7 | 1017450 | Pin, Piston | 1 |
| 8 | 101745101 | Ring Set, Standard Piston | 1 |
| 9 | 101745102 | Ring Set, Piston, 0.50 mm Oversize | 1 |
| 10 | 1017453 | Fe400 Counterbalance Weight (includes item 11) | 1 |
| 11 | 1017510 | Bearing, Plain | 1 |
| 12 | 101745701 | Asm, Con. Rod Std (includes item 13) | 1 |
| 13 | 1017512 | Bolt | 2 |
| 14 | 101745702 | Rod Assembly Connecting Rod 0.5mm (includes item 15) | 1 |
| 15 | 1017512 | Bolt | 2 |
| 16 | 1017501 | Spacer | 1 |
| 17 | 1017502 | Snap Ring | 2 |
| 18 | 1017503 | Seal, Oil | 1 |
| 19 | 101773301 | Shim, Crankshaft, 1.18mm | A/R |
| 20 | 101773302 | Shim, Crankshaft, 1.25mm | A/R |
| 21 | 101773303 | Shim, Crankshaft, 1.32mm | A/R |
| 22 | 101773304 | Shim, Crankshaft, 1.39mm | A/R |
| 23 | 101773305 | Shim, Crankshaft, 1.46mm | A/R |
| 24 | 101773306 | Shim, Crankshaft, 1.53mm | A/R |
| 25 | 101773307 | Shim, Crankshaft, 1.60mm | A/R |
| 26 | 101773308 | Shim, Crankshaft, 1.67mm | A/R |
| 27 | 101773309 | Shim, Crankshaft, 1.74mm | A/R |
| 28 | 101773310 | Shim, Crankshaft, 1.11 mm | A/R |
| 29 | 101773311 | Shim, Crankshaft, 1.81mm | A/R |
| 30 | 101916001 | Crankcase Complete, FE350 (cw) | 1 |
| 31 | 102430901 | Crankshaft, FE350 Left-Hand, 22-Tooth (includes items 32 through 35) | 1 |
| 32 | 1016562 | Key | 1 |
| 33 | 1017471 | Rod | 2 |
| 34 | N/A | Gear, Helical | 1 |
| 35 | N/A | Gear, Spur | 1 |

8
G

8
G



000200-003

FE350 ENGINE MOUNTING

| ITEM | PART NO. | DESCRIPTION | QTY |
|------|-----------|---------------------------------------|-----|
| | | 1 2 3 4 | |
| 1 | 1010577 | Bolt, Hex-Head, 5/16-18 X 1.50 | 4 |
| 2 | 1011697 | Washer, 5/16 Flat | 2 |
| 3 | 1012571 | Washer, 5/16 Extra Thick Flat | 4 |
| 4 | 1013924 | Nut, 5/16-24 Hex Head Cone | 10 |
| 5 | 101827101 | Plate, Engine Mounting | 1 |
| 6 | 101832601 | Stiffener (PTO Side) | 1 |
| 7 | 101832701 | Stiffener (Flywheel Side) | 1 |
| 8 | 101833101 | Stud, M8-1.25 X 50 mm Two-Ended | 2 |
| 9 | 101834601 | Snubber Bracket | 1 |
| 10 | 101884801 | Screw, 5/16-24 X 0.875 Grade-8 | 10 |
| 11 | 101963401 | Locknut, 5/16-18 Hex Flange | 4 |
| 12 | 102065901 | Locknut, 3/8-16 Flanged Dimple | 4 |
| 13 | 102540301 | Inner Frame Snubber | 1 |
| 14 | 334 | Washer, 3/8 Type A Flat | 4 |
| 15 | 705 | Screw, Cap-hex Hd 3/8-16x1.25 | 4 |
| 16 | 96704416 | Nut Flg, M8 X 1.25 Serrated | 2 |

8

G

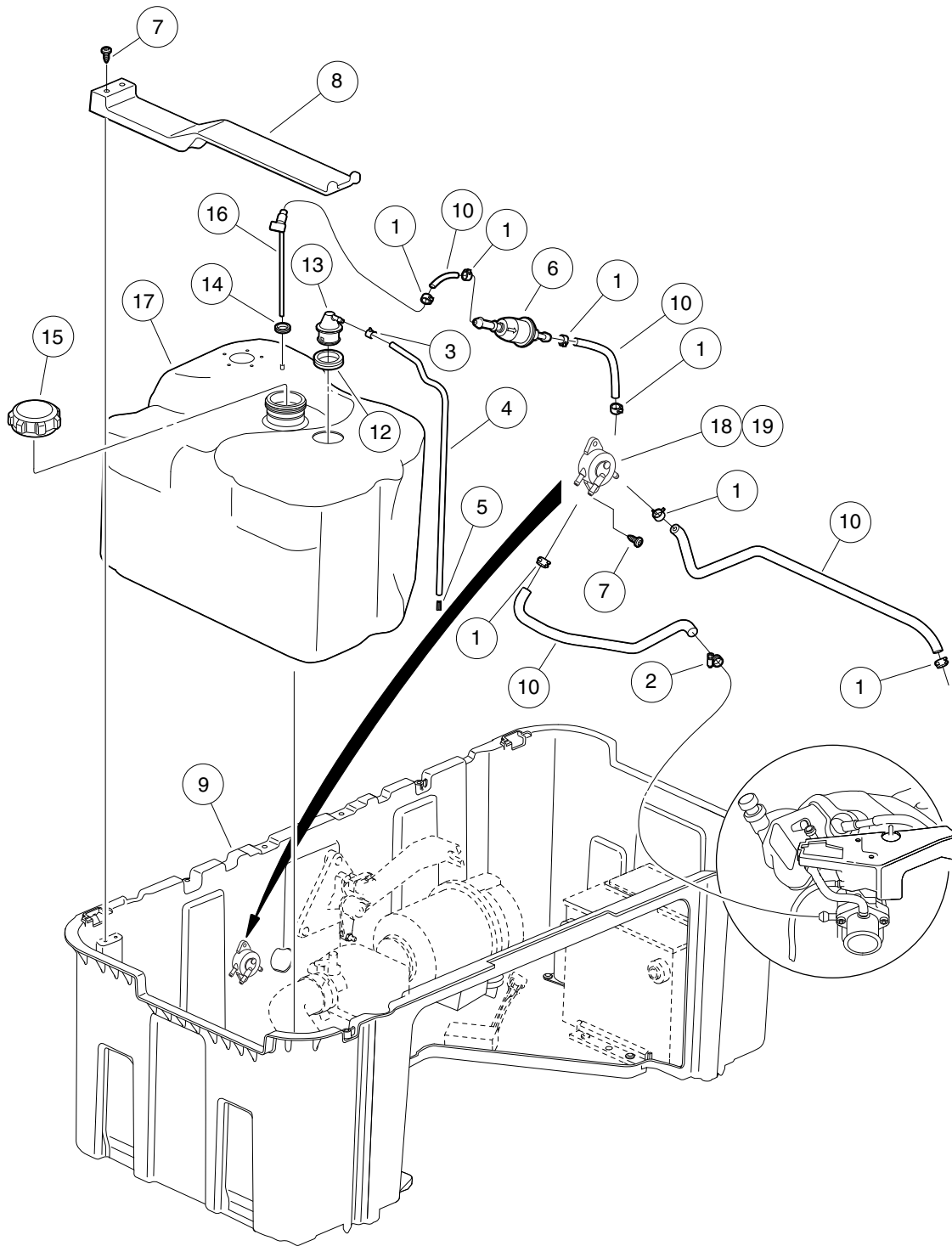
8

G

FUEL, INTAKE, AND GOVERNOR SYSTEMS

9

G



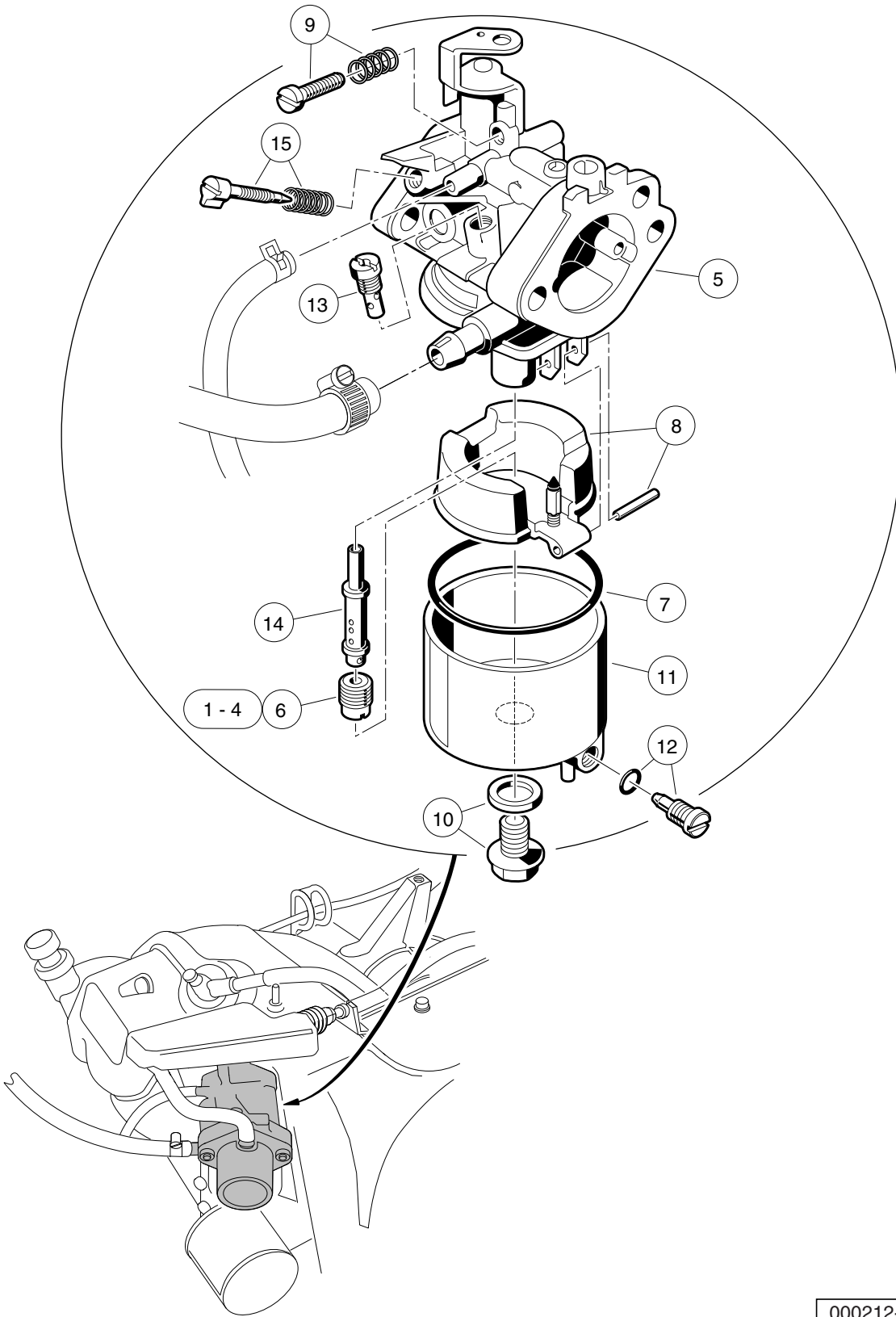
000449-001

FUEL SYSTEM

9

G

| ITEM | PART NO. | DESCRIPTION | QTY |
|------|-----------|--|-----|
| | | 1 2 3 4 | |
| 1 | 1012649 | Clamp, 0.460 Red Hose | 7 |
| 2 | 1013687 | Clamp, 3/8" Hose (screw type) | 1 |
| 3 | 1013746 | Clamp, 0.301 ID Hose | 2 |
| 4 | 1015137 | Fuel Line (available by the foot) | A/R |
| 5 | 101824401 | Vent Barb | 1 |
| 6 | 102003201 | Filter, Fuel, 30 Micron | 1 |
| 7 | 102296020 | Screw, Torx Pan Hd Pt, M6 X 20 | 2 |
| 8 | 102514201 | Hold-down - Fuel Tank | 1 |
| 9 | 102514701 | Bucket - Gas Vehicle | 1 |
| 10 | 102865101 | Fuel Line | A/R |
| 11 | 103655002 | Asm, Tank, Prec, Wo/su Nano (includes items 12 through 17) | 1 |
| 12 | 1015139 | Insulation Grommet | 1 |
| 13 | 1015143 | Vent, Fuel Tank | 1 |
| 14 | 102406701 | Bushing, Line, Return | 1 |
| 15 | 103372101 | Cap, Fuel Tank, Gas, Ratchet | 1 |
| 16 | 103372301 | Valve, Fuel, 259mm | 1 |
| 17 | 103777001 | Tank, Fuel, Prec, Nano | 1 |
| 18 | N/A | Kit, Fuel Pump Retrofit (includes items 19 and 20) | 1 |
| 19 | 103010101 | Pump, Fuel, Impulse, Fh | 1 |
| 20 | 103781201 | Instr, Fuel Pump Retrofit | 1 |

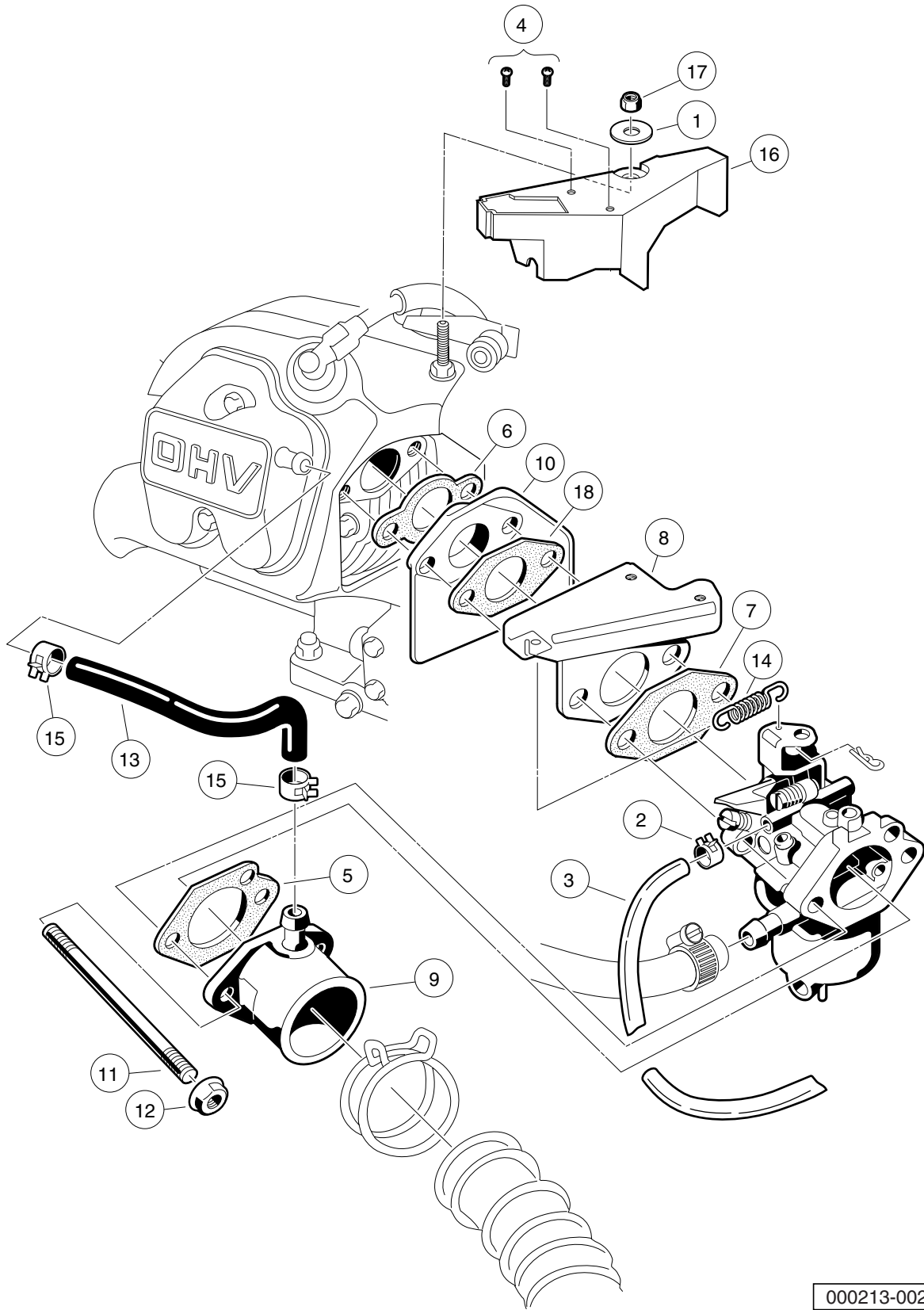


000212-001

CARBURETOR ASSEMBLY – FE350

| ITEM | PART NO. | DESCRIPTION | QTY |
|------|-----------|--|-----|
| | | 1 2 3 4 | |
| 1 | 101642575 | Jet, Altitude, # 75 | A/R |
| 2 | 101642578 | Jet, Altitude, # 78 | A/R |
| 3 | 101642580 | Jet, Altitude, # 80 | A/R |
| 4 | 101642582 | Jet, Altitude, # 82 | A/R |
| 5 | 101905901 | Carburetor, FE350D (includes items 6 through 15) | 1 |
| 6 | 101642585 | Jet, Altitude, # 85 | 1 |
| 7 | 1016437 | Gasket, Carburetor Bowl OHV | 1 |
| 8 | 1016486 | Float Assembly | 1 |
| 9 | 1016501 | Screw Assembly | 1 |
| 10 | 1016585 | Bolt | 1 |
| 11 | 1017461 | Chamber Assembly, Float (includes item 12) | 1 |
| 12 | 1016499 | Screw Assembly | 1 |
| 13 | 101973101 | Jet, #40 Pilot | 1 |
| 14 | 101973301 | Nozzle, Main | 1 |
| 15 | N/A | Assembly, Pilot Air Screw | 1 |
| | | Note: 101642585 for 0 - 3,000 feet; 101642582 for 3,000 - 5,000 feet; 101642580 for 5,000 - 8,000 feet; 101642578 for 8,000 - 10,000 feet; 101642575 for 10,000 feet and higher. | |

9
G

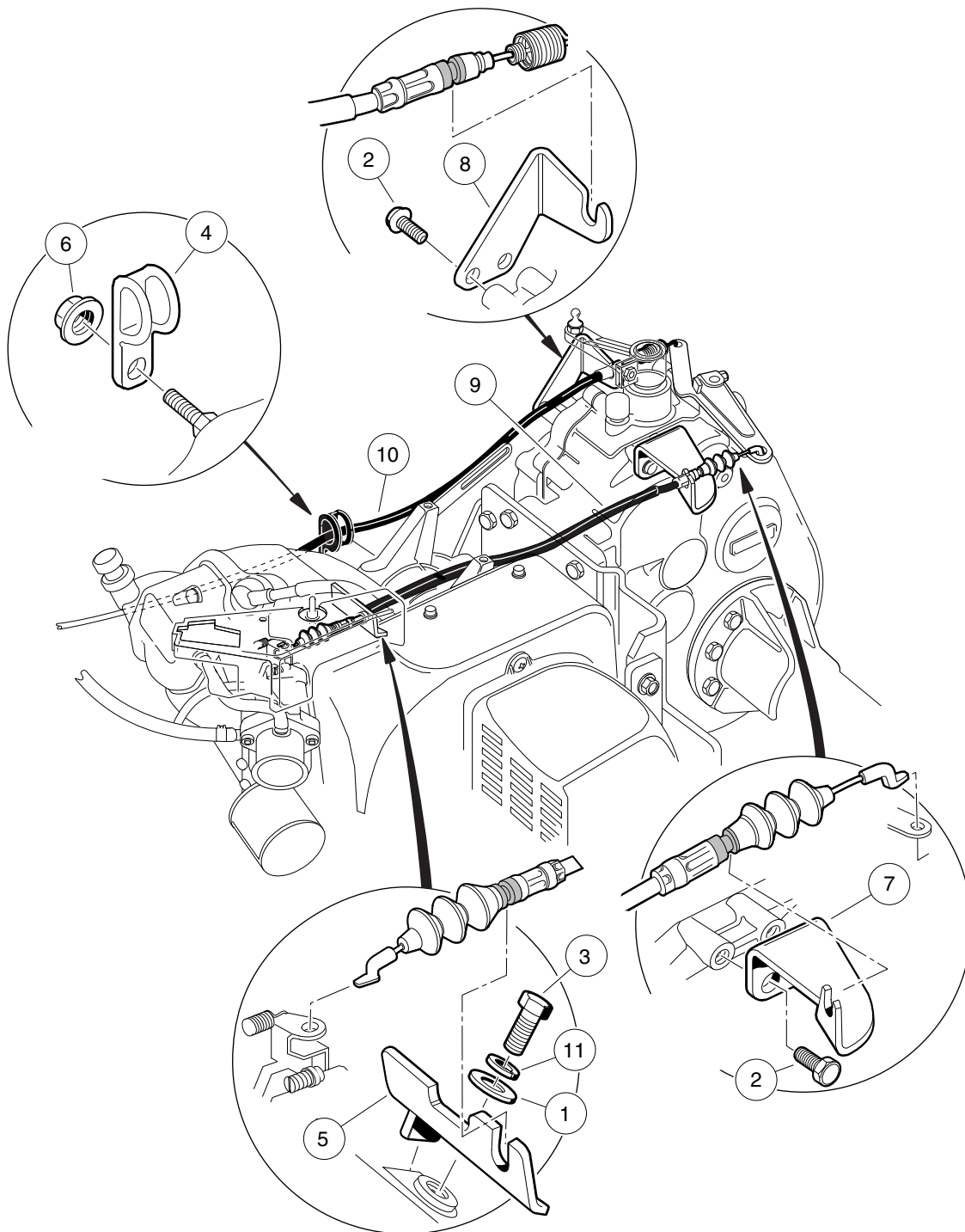


000213-002

CARBURETOR INSTALLATION – FE350

| ITEM | PART NO. | DESCRIPTION | QTY |
|------|-----------|---|-----|
| | | 1 2 3 4 | |
| 1 | 1011697 | Washer, 5/16 Flat | 1 |
| 2 | 1013746 | Clamp, 0.301 ID Hose | 1 |
| 3 | 1015137 | Fuel Line (available by the foot) | 1 |
| 4 | 1016103 | Screw, Pan Hd Tx, Taptite 6-32 | 2 |
| 5 | 1016438 | Gasket, Carb To Intake Manifold | 1 |
| 6 | 1016440 | Gasket, Engine to Insulator | 1 |
| 7 | 1016441 | Gasket, Sprg Brkt To Carb OHV | 1 |
| 8 | 1016444 | Bracket, Throttle Spring Return | 1 |
| 9 | 1016480 | Pipe, Intake Manifold | 1 |
| 10 | 101648102 | Insulator, Carburetor | 1 |
| 11 | 101649002 | Stud, M6-1.00 Two-Ended | 2 |
| 12 | 1016547 | Nut, M6 Flange | 2 |
| 13 | 1016572 | Tube, Crankcase Vent | 1 |
| 14 | 1016582 | Spring, Throttle Return | 1 |
| 15 | 1017466 | Clamp | 2 |
| 16 | 101820201 | Shield, Governor | 1 |
| 17 | 101887601 | Locknut, M6-1.00 Nylon Insert | 1 |
| 18 | 101973401 | Gasket, Insulator To Bracket | 1 |

9
G



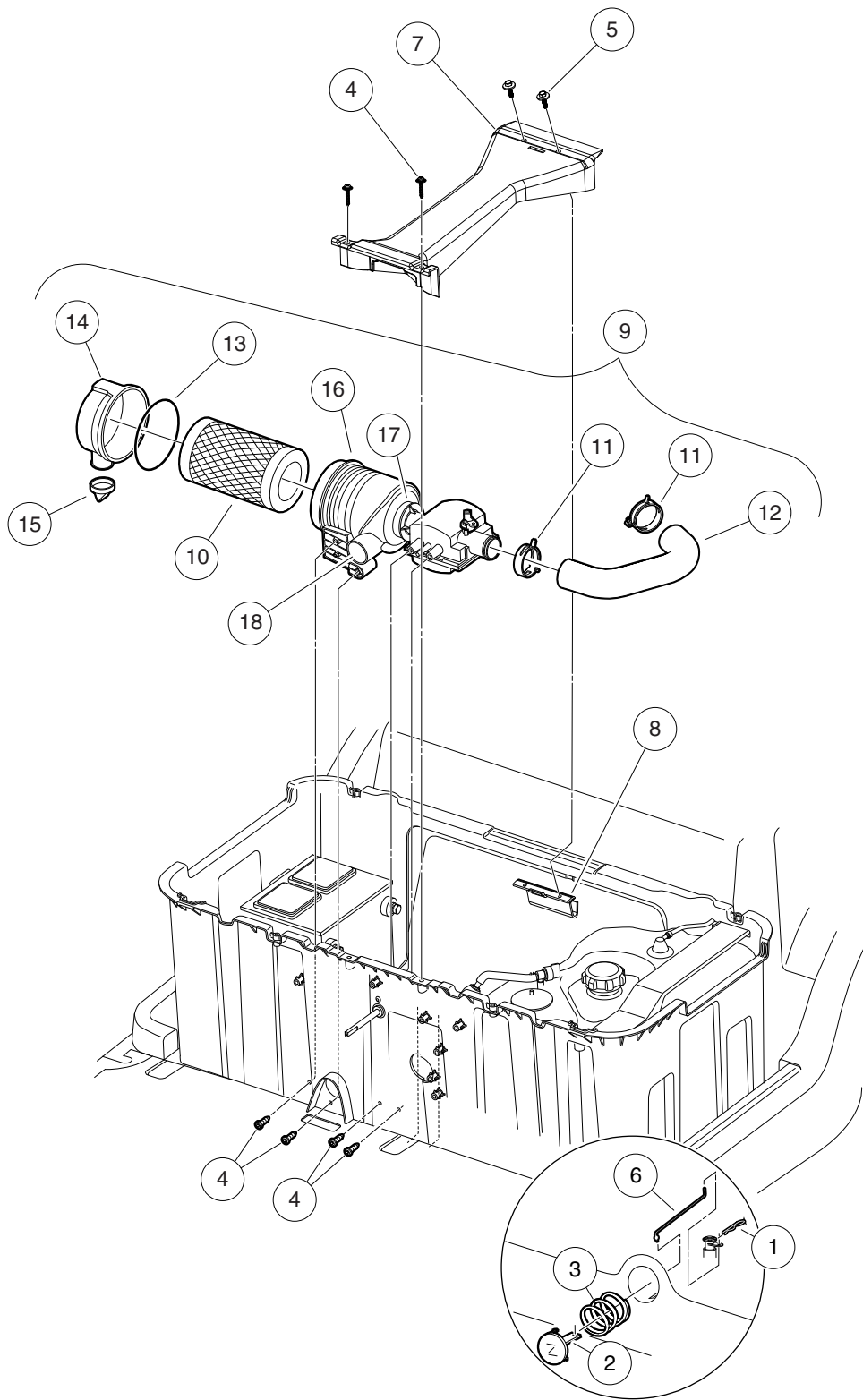
000215-001

GOVERNOR AND ACCELERATOR CABLES

| ITEM | PART NO. | DESCRIPTION | QTY |
|------|-----------|---|-----|
| | | 1 2 3 4 | |
| 1 | 1011697 | Washer, 5/16 Flat | 1 |
| 2 | 1012285 | Screw, 1/4 X 0.625 Hex-Head | 4 |
| 3 | 1012830 | Screw, M8-125 X 22 Hex-Head | 1 |
| 4 | 1013700 | Clamp | 2 |
| 5 | 101584502 | Bracket, Governor Cable Snap-In | 1 |
| 6 | 1016546 | Nut | 2 |
| 7 | 101832202 | Bracket, Rear Governor Cable Snap-In | 1 |
| 8 | 101832302 | Bracket, Rear Accelerator Cable Snap-In | 1 |
| 9 | 102336001 | Cable, Governor, Snap-In | 1 |
| 10 | 102513102 | Cable, Acc, Snap-in | 1 |
| 11 | 7174 | Lockwasher, 5/16 Split | 1 |

9

G



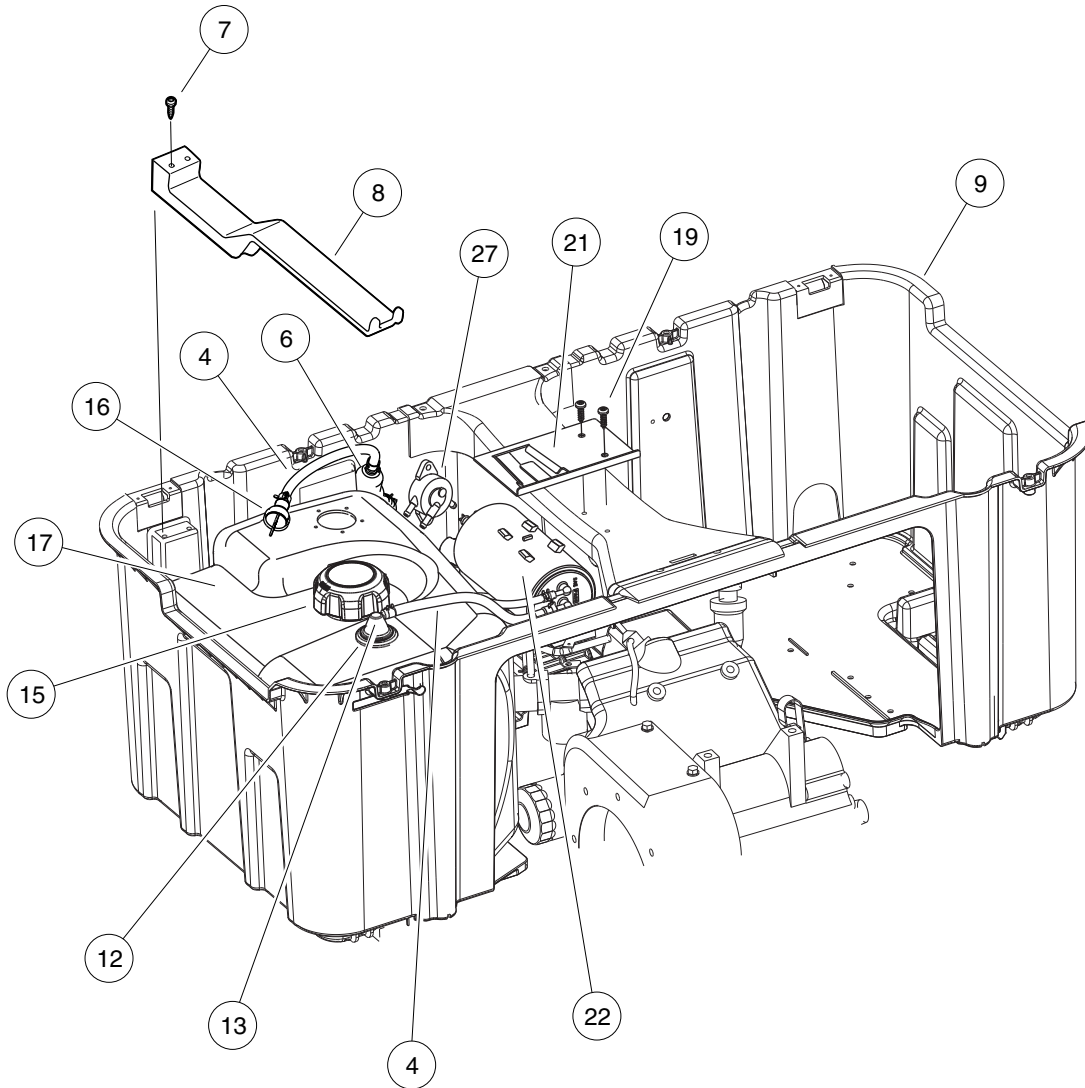
000484-001

CHOKE AND AIR BOX ASSEMBLY

| ITEM | PART NO. | DESCRIPTION | QTY |
|------|-----------|--|-----|
| | | 1 2 3 4 | |
| 1 | 1014413 | Pin, Hair Spring Cotter | 1 |
| 2 | 101811401 | Lever, Choke | 1 |
| 3 | 101856201 | Compression Spring | 1 |
| 4 | 102296020 | Screw, Torx Pan Hd Pt, M6 X 20 | 6 |
| 5 | 102297125 | Screw M6-1.0x25.4 Thd Fm Sems | 2 |
| 6 | 102514401 | Rod, Choke Button | 1 |
| 7 | 102521301 | Brace, Gas Fuel Bucket | 1 |
| 8 | 102521401 | Support, Gas Bucket Brace | 1 |
| 9 | 102588301 | Air Intake Assy (includes items 10 through 16) | 1 |
| 10 | 102558201 | Air Filter, Precedent | 1 |
| 11 | 102558301 | Clamp, Air Intake, Prec | 2 |
| 12 | 102558401 | Hose, Air Intake, Prec | 1 |
| 13 | 102558501 | Gasket, Air Intake, Prec | 1 |
| 14 | 102558601 | Cover Asm, Air Intake, Prec | 1 |
| 15 | 102558701 | Evac Valve, Air Intake, Prec | 1 |
| 16 | N/A | Assembly, Body Intake (includes items 17 and 18) | 1 |
| 17 | N/A | Filter Element, Air Intake | 1 |
| 18 | N/A | Insert, Air Intake Body | 1 |

9

G



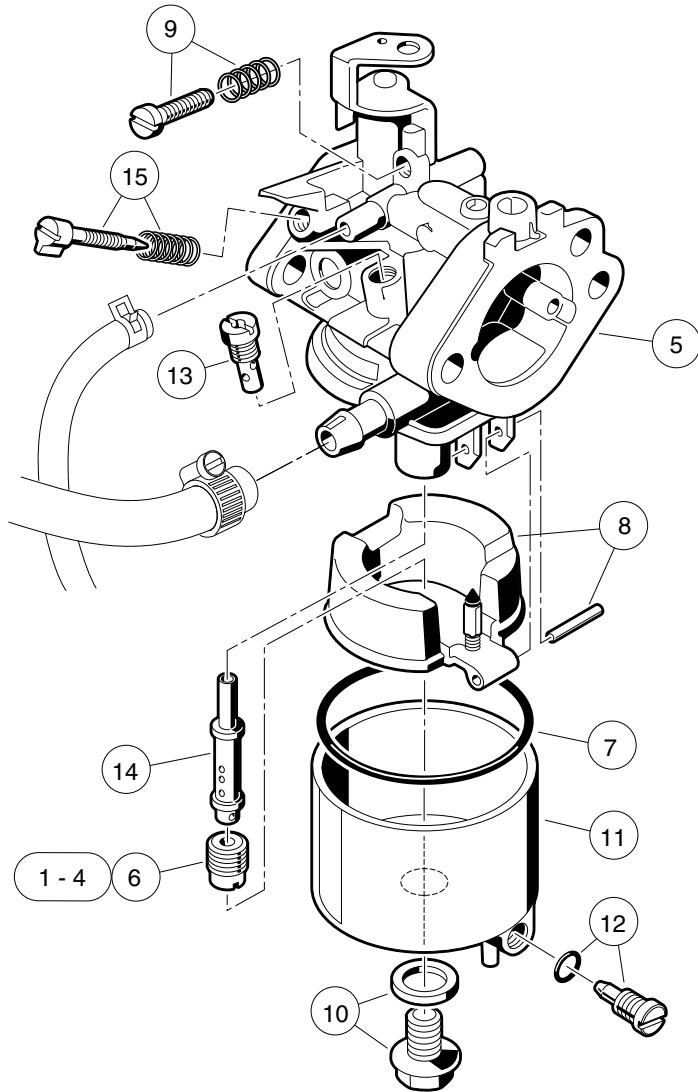
000449-002

FUEL SYSTEM

9

G

| ITEM | PART NO. | DESCRIPTION | QTY |
|------|-----------|--|-----|
| | | 1 2 3 4 | |
| 1 | 1012649 | Clamp, 0.460 Red Hose | 7 |
| 2 | 1013687 | Clamp, 3/8" Hose (screw type) | 1 |
| 3 | 1013746 | Clamp, 0.301 ID Hose | 2 |
| 4 | 1015137 | Fuel Line (available by the foot) | A/R |
| 5 | 101824401 | Vent Barb | 1 |
| 6 | 102003201 | Filter, Fuel, 30 Micron | 1 |
| 7 | 102296020 | Screw, Torx Pan Hd Pt, M6 X 20 | 2 |
| 8 | 102514201 | Hold-down - Fuel Tank | 1 |
| 9 | 102514701 | Bucket - Gas Vehicle | 1 |
| 10 | 102865101 | Fuel Line | A/R |
| 11 | 103655002 | Asm, Tank, Prec, Wo/su Nano (includes items 12 through 17) | 1 |
| 12 | 1015139 | Insulation Grommet | 1 |
| 13 | 1015143 | Vent, Fuel Tank | 1 |
| 14 | 102406701 | Bushing, Line, Return | 1 |
| 15 | 103372101 | Cap, Fuel Tank, Gas, Ratchet | 1 |
| 16 | 103372301 | Valve, Fuel, 259mm | 1 |
| 17 | 103777001 | Tank, Fuel, Prec, Nano | 1 |
| 18 | N/A | Instl, Evap03, Precedent (includes items 19 through 22) | 1 |
| 19 | 102296020 | Screw, Torx Pan Hd Pt, M6 X 20 | 2 |
| 20 | 102297230 | Screw,m6,torx,interlock,thread | 2 |
| 21 | 103794501 | Brkt, Carbon Canister, Gen | 1 |
| 22 | 103795301 | Asm, Carb Canister, Prec (includes items 23 through 26) | 1 |
| 23 | 101313402 | Clamp, Green Hose | 2 |
| 24 | 103372401 | Canister, Carbon, Fuel Tank | 1 |
| 25 | 103372504 | Hose, Vent, Flare, 9" | 1 |
| 26 | 103756401 | Asm, Vent Line, Evap Canister | 1 |
| 27 | N/A | Kit, Fuel Pump Retrofit (includes items 28 and 29) | 1 |
| 28 | 103010101 | Pump, Fuel, Impulse, Fh | 1 |
| 29 | 103781201 | Instr, Fuel Pump Retrofit | 1 |



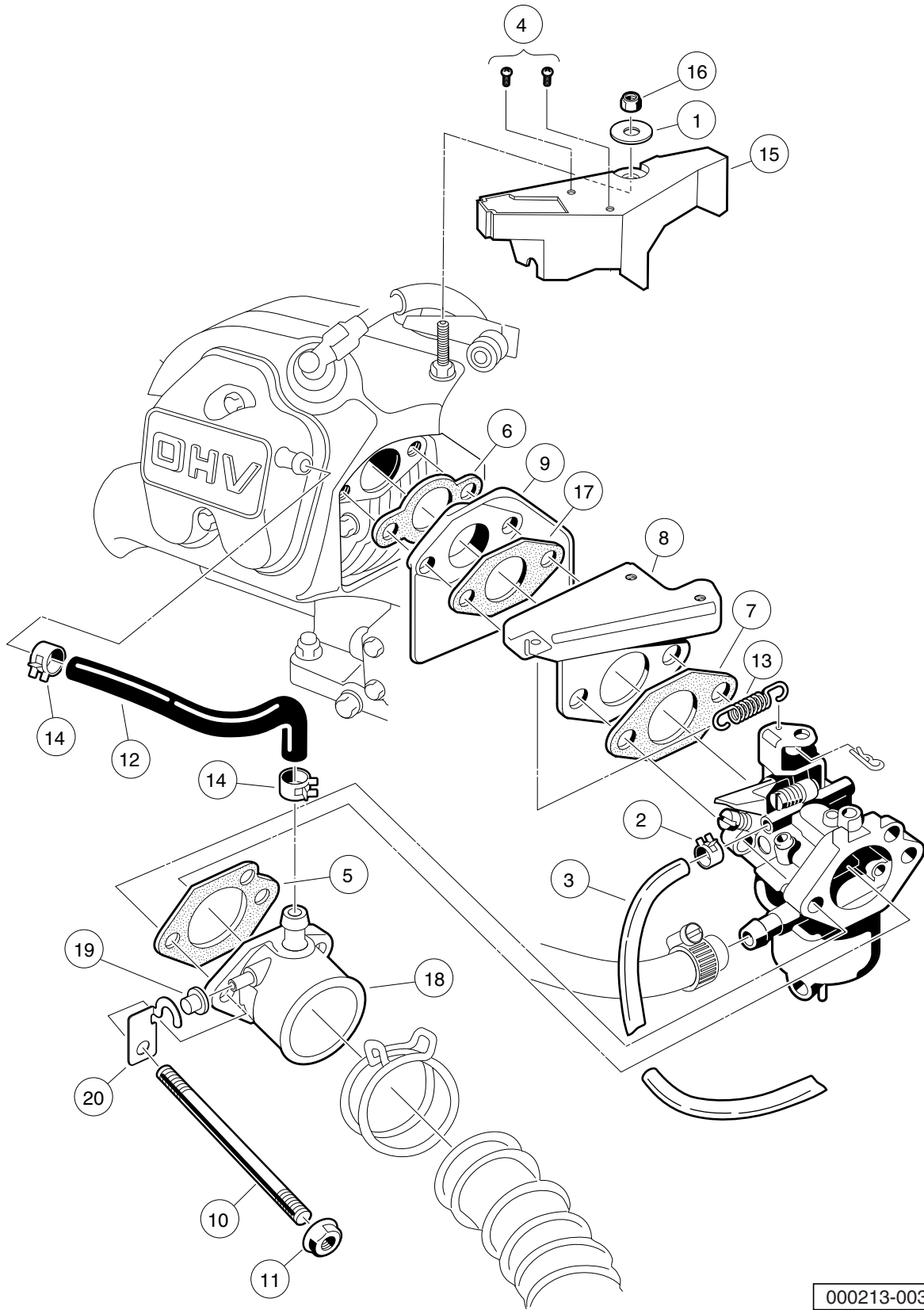
000212-002

CARBURETOR ASSEMBLY – FE350 S26

| ITEM | PART NO. | DESCRIPTION | QTY |
|------|-----------|--|-----|
| | | 1 2 3 4 | |
| 1 | 101642575 | Jet, Altitude, # 75 | A/R |
| 2 | 101642578 | Jet, Altitude, # 78 | A/R |
| 3 | 101642580 | Jet, Altitude, # 80 | A/R |
| 4 | 101642582 | Jet, Altitude, # 82 | A/R |
| 5 | 103616901 | Carburetor Fe350 Precedent | 1 |
| | | <p>Note: 101642582 for 0 - 3,200 feet; 101642580 for 3,200 - 6,500 feet; 101642578 for 6,500 - 9,800 feet; 101642576 for 9,800 feet and higher.</p> | |

9

G



000213-003

CARBURETOR INSTALLATION – FE350 S26

| ITEM | PART NO. | DESCRIPTION | QTY |
|------|-----------|---|-----|
| | | 1 2 3 4 | |
| 1 | 1011697 | Washer, 5/16 Flat | 1 |
| 2 | 1013746 | Clamp, 0.301 ID Hose | 1 |
| 3 | 1015137 | Fuel Line (available by the foot) | 1 |
| 4 | 1016103 | Screw, Pan Hd Tx, Taptite 6-32 | 2 |
| 5 | 1016438 | Gasket, Carb To Intake Manifold | 1 |
| 6 | 1016440 | Gasket, Engine to Insulator | 1 |
| 7 | 1016441 | Gasket, Sprg Brkt To Carb OHV | 1 |
| 8 | 1016444 | Bracket, Throttle Spring Return | 1 |
| 9 | 101648102 | Insulator, Carburetor | 1 |
| 10 | 101649002 | Stud, M6-1.00 Two-Ended | 2 |
| 11 | 1016547 | Nut, M6 Flange | 2 |
| 12 | 1016572 | Tube, Crankcase Vent | 1 |
| 13 | 1016582 | Spring, Throttle Return | 1 |
| 14 | 1017466 | Clamp | 2 |
| 15 | 101820201 | Shield, Governor | 1 |
| 16 | 101887601 | Locknut, M6-1.00 Nylon Insert | 1 |
| 17 | 101973401 | Gasket, Insulator To Bracket | 1 |
| 18 | 103507101 | Carburetor Adapter w/ Tap | 1 |
| 19 | 103507201 | Plug, Intake Manifold, Carb | 1 |
| 20 | 103507301 | Bracket, Intake Manifold, Carb | 1 |

9

G

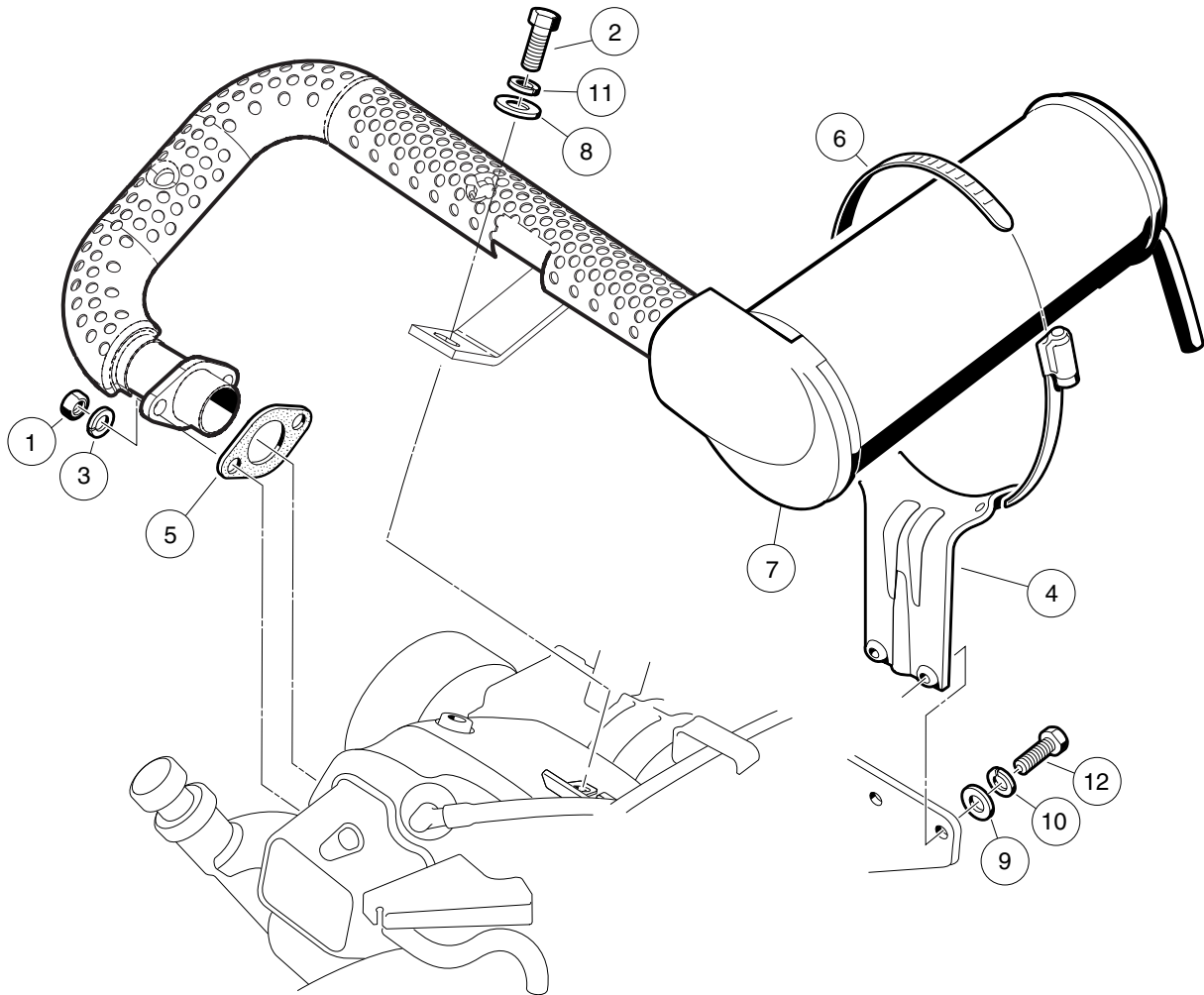
9

G

EXHAUST SYSTEM

10

G



000491-001

EXHAUST SYSTEM – FE350

| ITEM | PART NO. | DESCRIPTION | QTY |
|------|-----------|---|-----|
| | | 1 2 3 4 | |
| 1 | 1012528 | Nut, M8-1.25 Hex | 2 |
| 2 | 1012830 | Screw, M8-125 X 22 Hex-Head | 1 |
| 3 | 1013734 | Lockwasher, 8mm Split | 2 |
| 4 | 1015814 | Bracket, Muffler Mounting | 1 |
| 5 | 1016904 | Gasket, Exhaust | 1 |
| 6 | 1017689 | Clamp, 5" Muffler Hose | 1 |
| 7 | 102585901 | Exhaust System, FE350, Precedent | 1 |
| 8 | 1241 | Washer, 5/16 Type A Flat | 1 |
| 9 | 332 | Washer, 1/4 Type A Narrow Flat | 2 |
| 10 | 451 | Lockwasher, 1/4 Split | 2 |
| 11 | 7174 | Lockwasher, 5/16 Split | 1 |
| 12 | 7847 | Screw, 1/4-20 X 0.75 Hex-Head Cap | 2 |

10

G

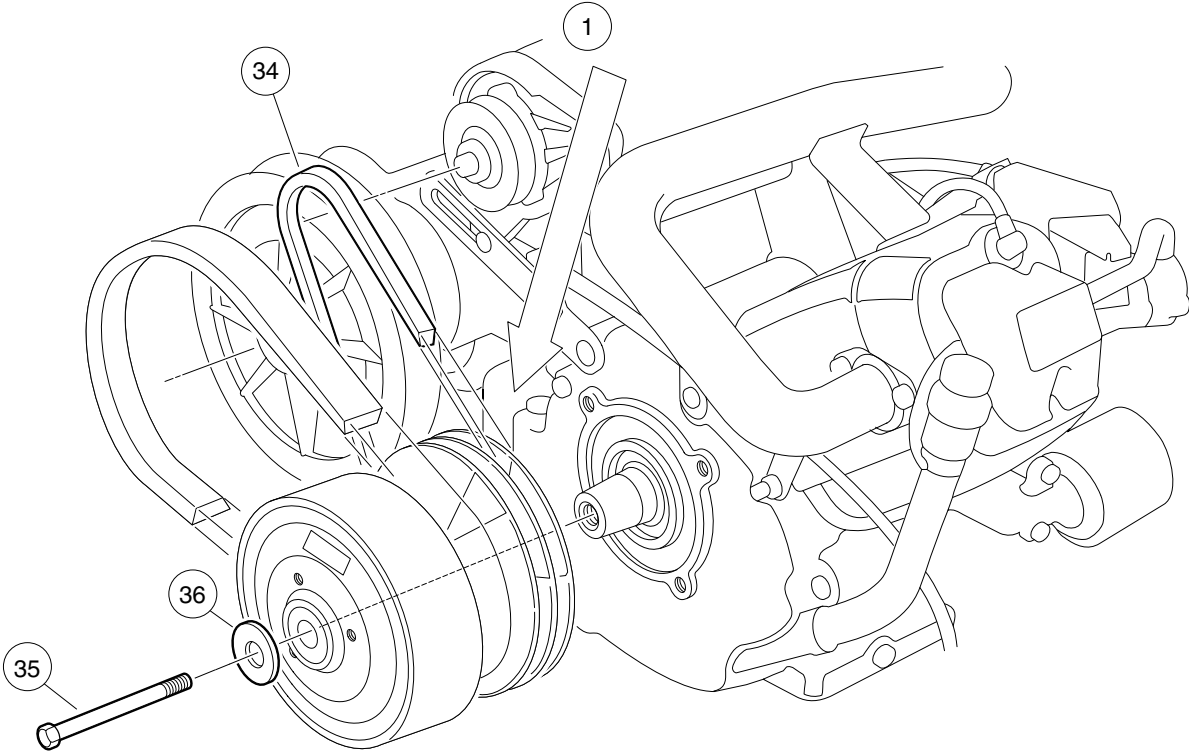
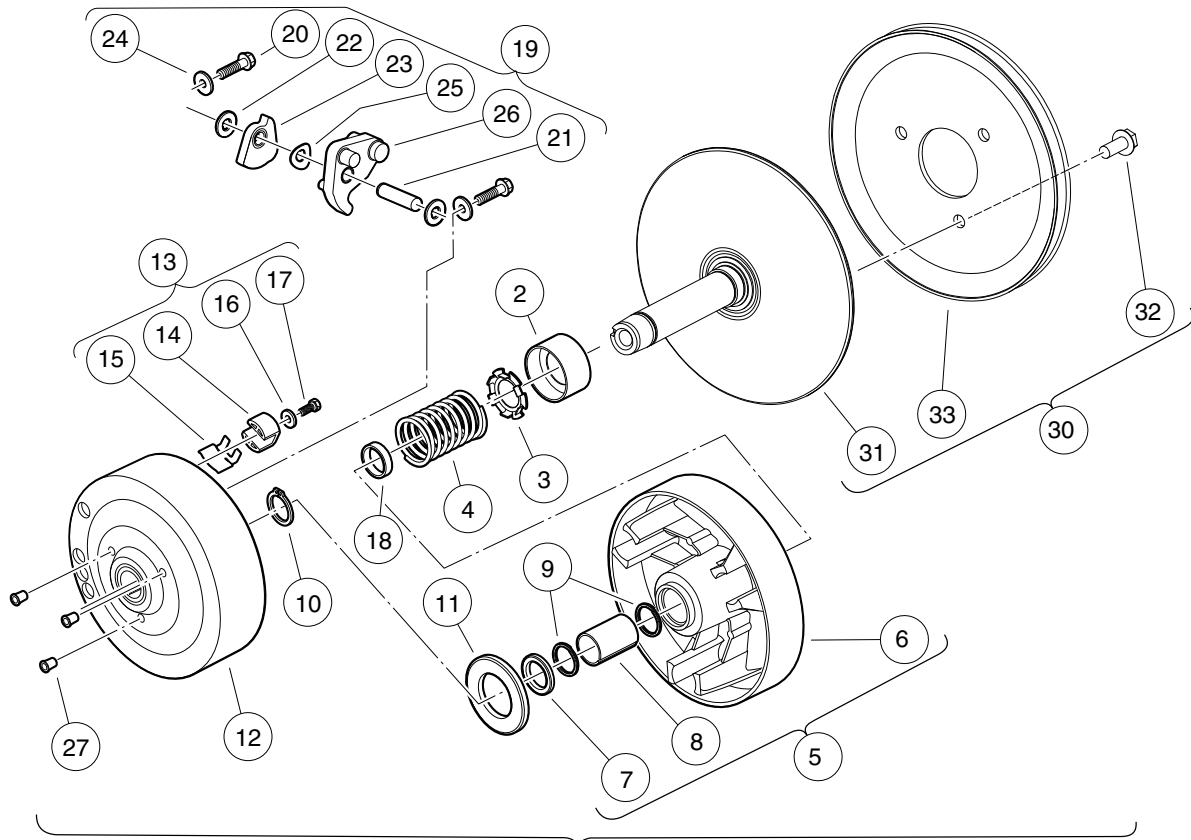
10

G

TORQUE CONVERTER

11

G

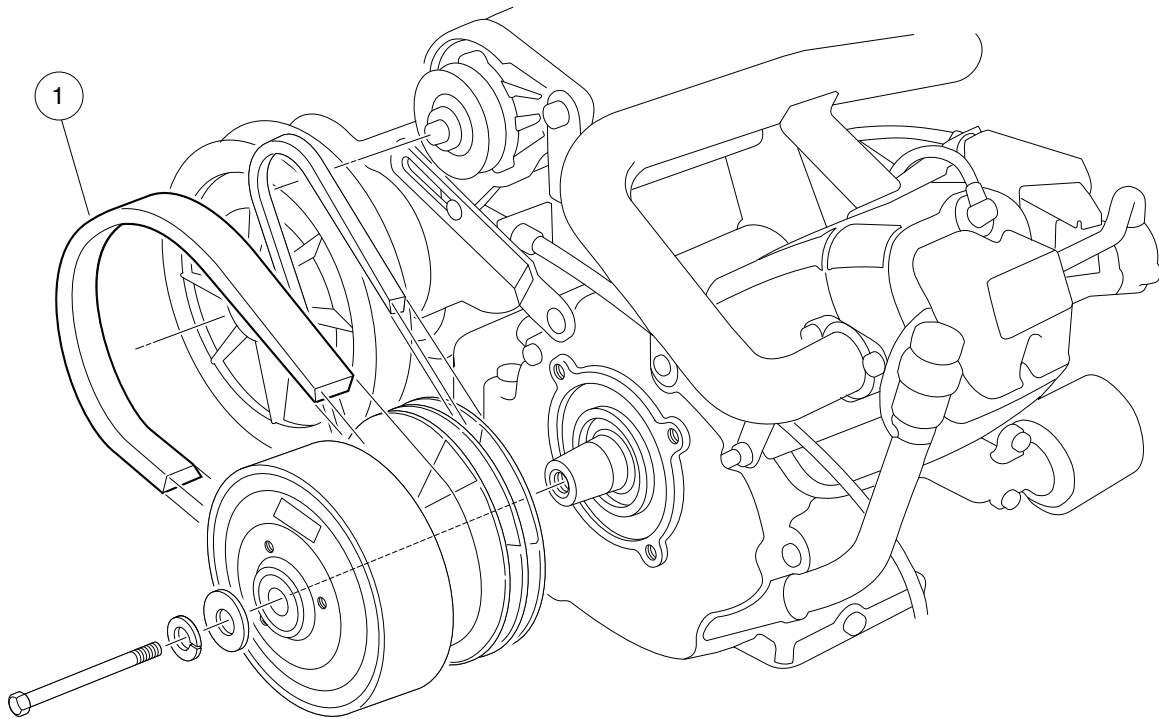


000217-001

DRIVE CLUTCH

11
G

| ITEM | PART NO. | DESCRIPTION | QTY |
|------|-----------|---|-----|
| | | 1 2 3 4 | |
| 1 | 101833902 | Clutch, Drive (includes items 2 through 28) | 1 |
| 2 | 1014049 | Bearing, Idler | 1 |
| 3 | 1014050 | Retainer, Spring | 1 |
| 4 | 1014051 | Spring, Drive Clutch | 1 |
| 5 | 1014052 | Movable-Face Assembly (includes items 6 through 8) | 1 |
| 6 | N/A | Drive Clutch Movable Face | 1 |
| 7 | 1014055 | Retainer | 1 |
| 8 | N/A | Bushing, Split, Drive Clutch | 1 |
| 9 | 1014056 | Ring, Spiral Backup | 2 |
| 10 | 1014057 | Ring, 0.810" Internal Retaining | 1 |
| 11 | 1014058 | Thrust Washer | 1 |
| 12 | 1014059 | Drive Hub Assy, Drive Clutch | 1 |
| 13 | 1014453 | Kit, Drive Clutch Button (includes items 14 through 17) | 1 |
| 14 | 1014062 | Driver, Drive Clutch | 3 |
| 15 | 1014287 | Spring, Drive Button | 3 |
| 16 | 183 | Washer, #10 Type A Flat | 3 |
| 17 | 8450 | Screw, #10-24 X 0.50 Hex-Head | 3 |
| 18 | 1016289 | Spacer, Fixed Face Shaft | 1 |
| 19 | 1016801 | Kit, Drive Clutch Weight (includes items 20 through 26) | 1 |
| 20 | 1014063 | Screw, 1/4-20 X 1.00 Hex Head | 6 |
| 21 | N/A | Pin, 0.3752 X 1.50 Dowel | 3 |
| 22 | 1014065 | Washer, 0.38" ID Delrin Flat | 6 |
| 23 | N/A | Clutch Weight, Secondary | 3 |
| 24 | N/A | Washer | 6 |
| 25 | 1016201 | Washer, Wave | 3 |
| 26 | N/A | Weight, Primary | 3 |
| 27 | 101925601 | Plug, Drive Clutch | 3 |
| 28 | 101929802 | Kit, Fxd Face Dr Asm Fe290/350 (includes items 29 and 30) | 1 |
| 29 | N/A | Desiccant Bag (Not Shown) | 1 |
| 30 | 101929801 | Assembly, Fixed-Face Drive (includes items 31 through 33) | 1 |
| 31 | N/A | Fixed Face Assembly, Drive Clutch | 1 |
| 32 | 1014288 | Screw, 5/16-18 X 0.75 Thread-Forming | 3 |
| 33 | N/A | Pulley, Clutch | 1 |
| 34 | 101916701 | V-Belt | 1 |
| 35 | 103345701 | Screw 3/8-24x5.5 Hex Loc Ptch | 1 |
| 36 | 808 | Washer, 3/8 Type B Flat | 1 |
| | | Note: Item 29 not shown. | |

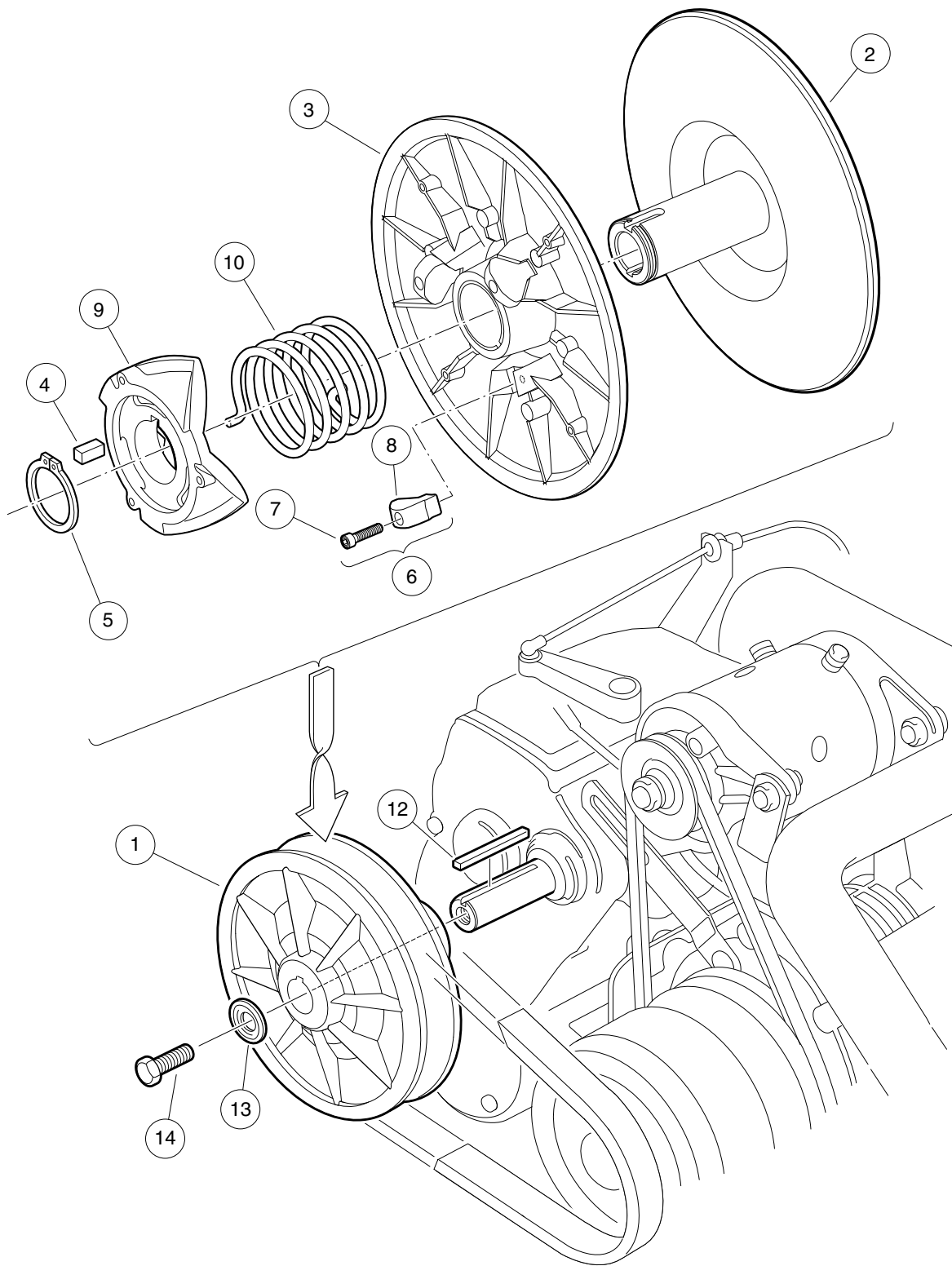


000218-001

DRIVE BELT

| ITEM | PART NO. | DESCRIPTION | QTY |
|------|----------|------------------------------|-----|
| 1 | 1016203 | 1 2 3 4 Belt, Drive | 1 |

11
G



000219-001

DRIVEN CLUTCH

| ITEM | PART NO. | DESCRIPTION | QTY |
|------|-----------|---|-----|
| | | 1 2 3 4 | |
| 1 | 101834001 | Assembly, Driven Clutch (includes items 2 through 10) | 1 |
| 2 | 1014070 | Fixed Face Assy, Driven Clutch | 1 |
| 3 | 1014072 | Movable-Face Assembly with Bushing | 1 |
| 4 | 1014078 | Key, Driven Clutch | 1 |
| 5 | 1014080 | Ring, Retaining | 1 |
| 6 | 1014454 | Kit, Driven Clutch Button (includes items 7 and 8) | 1 |
| 7 | 1012836 | Screw, #8-32 X 3/4 Socket-Head Cap | 3 |
| 8 | N/A | Button, Drive | 3 |
| 9 | 1017686 | Cam, Driven Clutch | 1 |
| 10 | 101836201 | Spring, Driven Clutch, Reversed | 1 |
| 11 | AM10419 | Kit, Clutch Repair (includes items 12 through 14) | 1 |
| 12 | 101833401 | Key, 3/16 Sq X 1.50" | 1 |
| 13 | 102155801 | Washer, Driven Clutch | 1 |
| 14 | 102242101 | Screw, 5/16-18 X 3/4 Hex-Head with Patch | 1 |

11
G

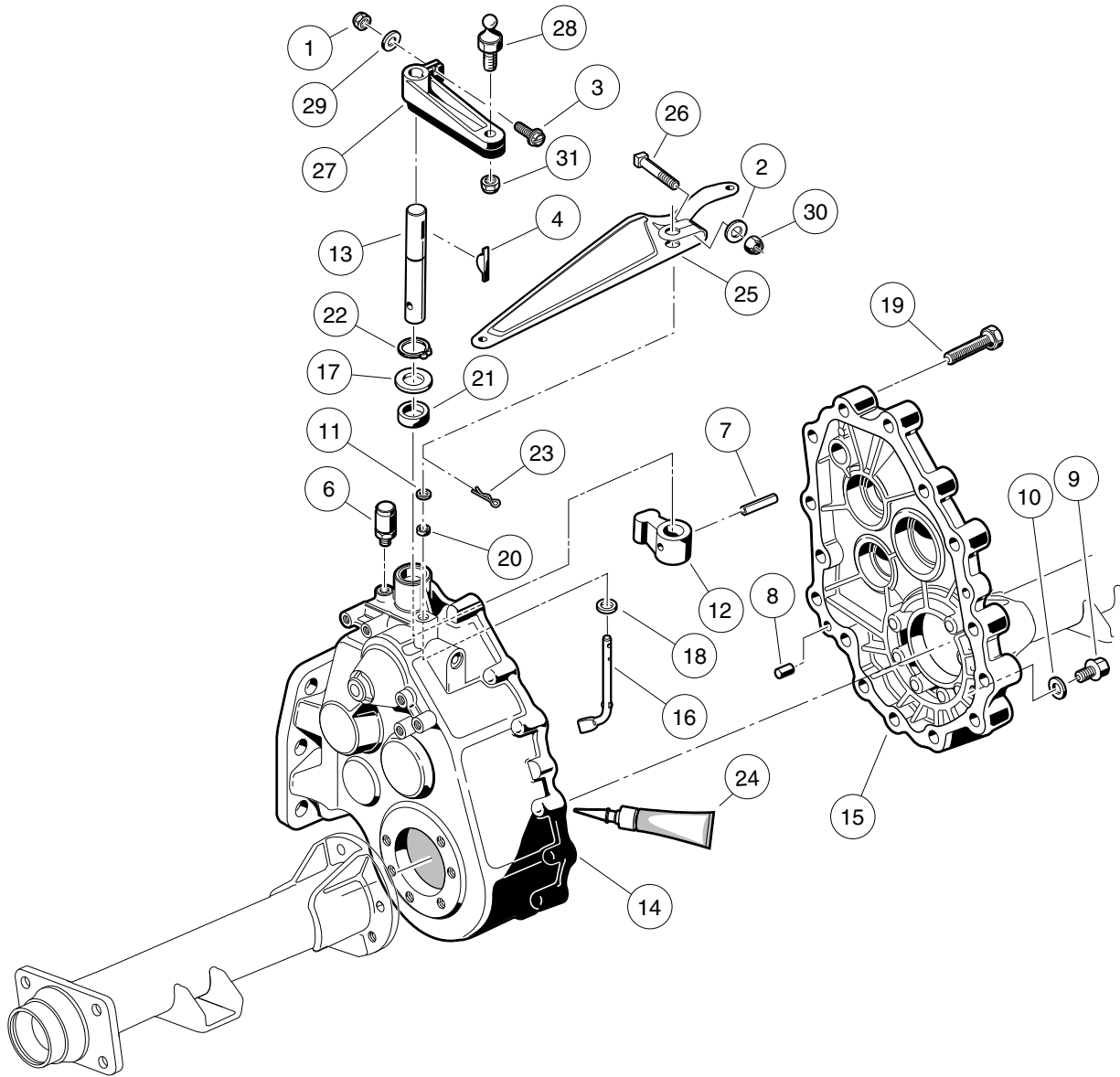
11

G

UNITIZED TRANSAXLE

12

G



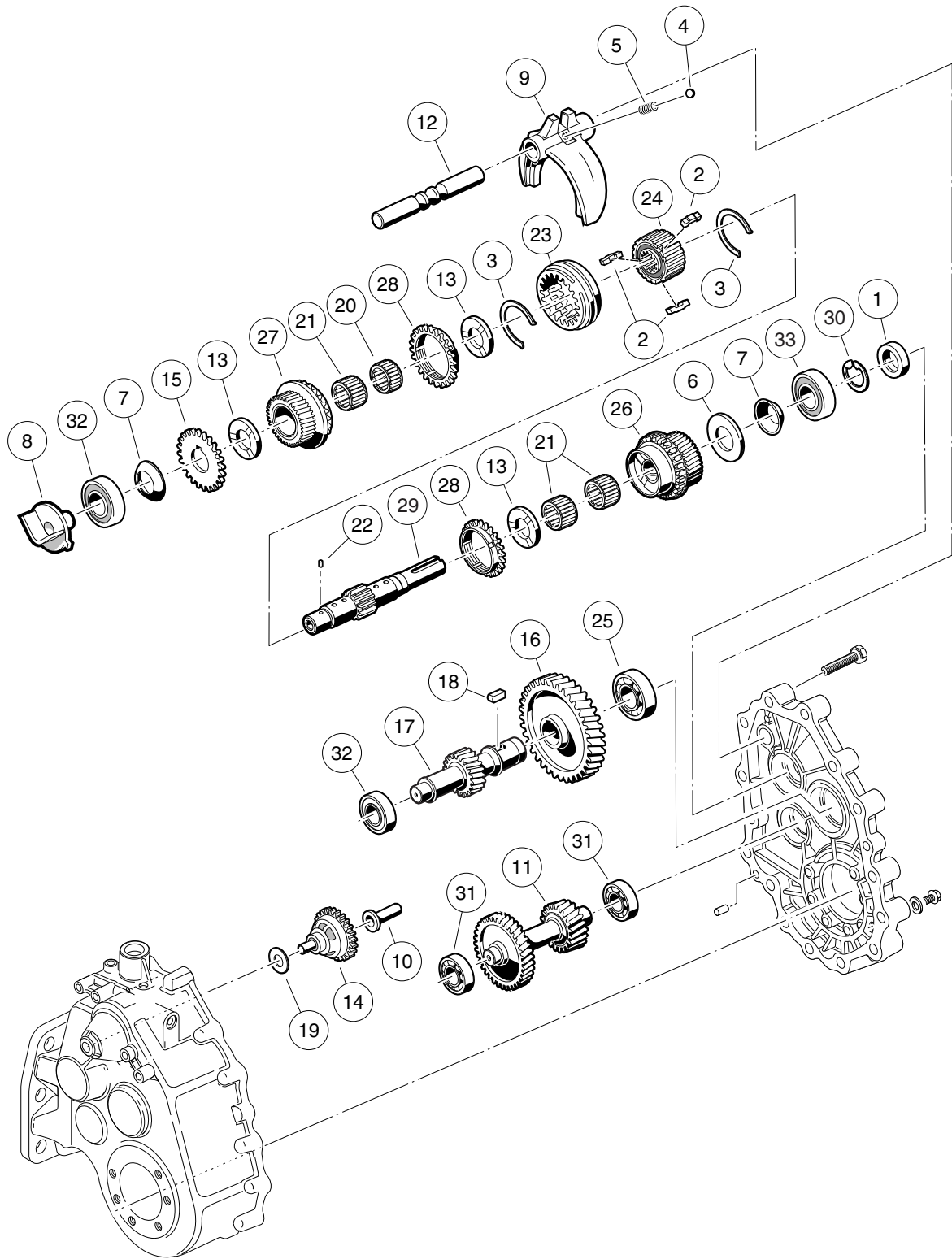
000220-002

UNITIZED TRANSAXLE – GEAR CASES AND BRACKETS

| ITEM | PART NO. | DESCRIPTION | QTY |
|---|-----------|--|-----|
| | | 1 2 3 4 | |
| 1 | 1013061 | Locknut, #10-32 Nylon Insert | 1 |
| 2 | 1014007 | Washer, 1/4 Flat | 1 |
| 3 | 1017082 | Screw, #10-32 X 0.75, Hex-Head Machine | 1 |
| 4 | 1017231 | Key, Woodruff | 1 |
| 5 | 101833601 | Transaxle, 11.77 Ratio (includes items 6 through 24) | 1 |
| 6 | 1012711 | Breather | 1 |
| 7 | 1012752 | Roll Pin | 1 |
| 8 | 1012896 | Pin, Dowel | 2 |
| 9 | 1013760 | Fill Plug | 2 |
| 10 | 1016432 | Gasket, Drain Plug | 1 |
| 11 | 1016513 | Washer, M6 Flat | 1 |
| 12 | 101890101 | Lever, Change | 1 |
| 13 | 101890201 | Shaft - Change | 1 |
| 14 | 101890501 | Gear Case (driver side) | 1 |
| 15 | 101890601 | Gear Case (passenger side) | 1 |
| 16 | 101891301 | Arm Pivot | 1 |
| 17 | 101892901 | Washer | 1 |
| 18 | 101893801 | Washer | 1 |
| 19 | 101926901 | Screw, M8-1.25 X 40mm Hex-Head | 15 |
| 20 | 101927101 | Seal, Oil | 1 |
| 21 | 101927201 | Seal, Oil | 1 |
| 22 | 101927301 | Snap Ring | 1 |
| 23 | 101928601 | Pin, Cotter | 1 |
| 24 | 101928701 | Liquid Gasket (Transaxle case) | A/R |
| 25 | 101834801 | Arm, Governor | 1 |
| 26 | 101886101 | Screw, 1/4-20 X 1.00 Square-Head | 1 |
| 27 | 102515401 | Lever, Transmission Shift | 1 |
| 28 | 102526201 | Stud, Thread, 1/4-28 | 1 |
| 29 | 183 | Washer, #10 Type A Flat | 1 |
| 30 | 8233 | Locknut, 1/4-20 Nylon Insert | 1 |
| 31 | 8717 | Locknut, 1/4-28 Nylon Insert | 1 |
| Note: Unitized transaxle component listings span several pages. | | | |

12

G



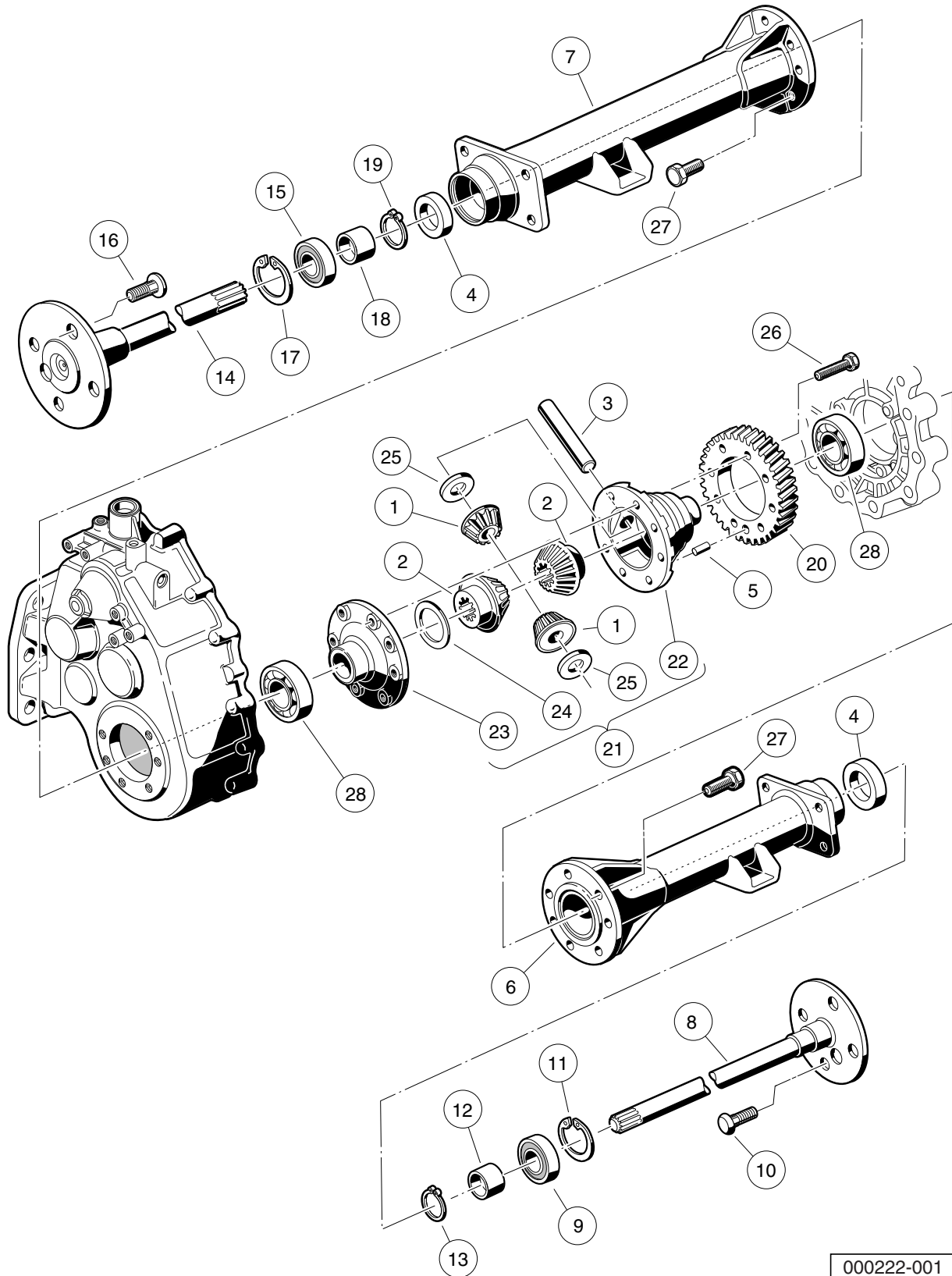
000221-001

UNITIZED TRANSAXLE – F&R TRANSMISSION AND GEAR REDUCTION

12

G

| ITEM | PART NO. | DESCRIPTION | QTY |
|------|-----------|--|-----|
| | | 1 2 3 4 | |
| 1 | 1012714 | Oil Seal | 1 |
| 2 | 1012740 | Synchro Insert | 3 |
| 3 | 1012741 | Synchro Spring | 2 |
| 4 | 1012747 | Shifter Ball | 1 |
| 5 | 1012748 | Shifter Spring | 1 |
| 6 | 1016337 | Washer, Thrust | 1 |
| 7 | 1016338 | Washer, Spring | 2 |
| 8 | 101889401 | Guide | 1 |
| 9 | 101890001 | Fork - Shift | 1 |
| 10 | 101891601 | Sleeve, Governor | 1 |
| 11 | 101891901 | Gear, Cluster | 1 |
| 12 | 101892001 | Rod, Shift | 1 |
| 13 | 101892201 | Plate, Thrust | 3 |
| 14 | 101892301 | Governor Assembly | 1 |
| 15 | 101892401 | Gear, Spur | 1 |
| 16 | 101892501 | Gear, Helical (61 Tooth) | 1 |
| 17 | 101892601 | Gear, Helical (17 Tooth) | 1 |
| 18 | 101893201 | Key Sunk | 1 |
| 19 | 101893901 | Washer | 1 |
| 20 | 101927501 | Needle Bearing | 1 |
| 21 | 101927601 | Needle Bearing | 3 |
| 22 | 101927701 | Pin, .116" Dia X 0.264 Dowel | 1 |
| 23 | 101927901 | Sleeve, Synchro | 1 |
| 24 | 101928001 | Hub, Synchro Clutch | 1 |
| 25 | 101928101 | Bearing, Ball | 1 |
| 26 | 101980801 | Gear Assembly, 16-Degree Synchro (25 Tooth) | 1 |
| 27 | 101980901 | Gear Assembly, 16-Degree Rear Synchro (28 Tooth) | 1 |
| 28 | 101981001 | Ring, 16-Degree Synchronizer | 2 |
| 29 | 102453001 | Shaft, Trans, with Circlip | 1 |
| 30 | 102453101 | Circlip | 1 |
| 31 | 7335 | Bearing | 2 |
| 32 | AM10080 | Bearing, Ball, Sealed | 2 |
| 33 | AM10081 | Bearing, Ball, Sealed | 1 |



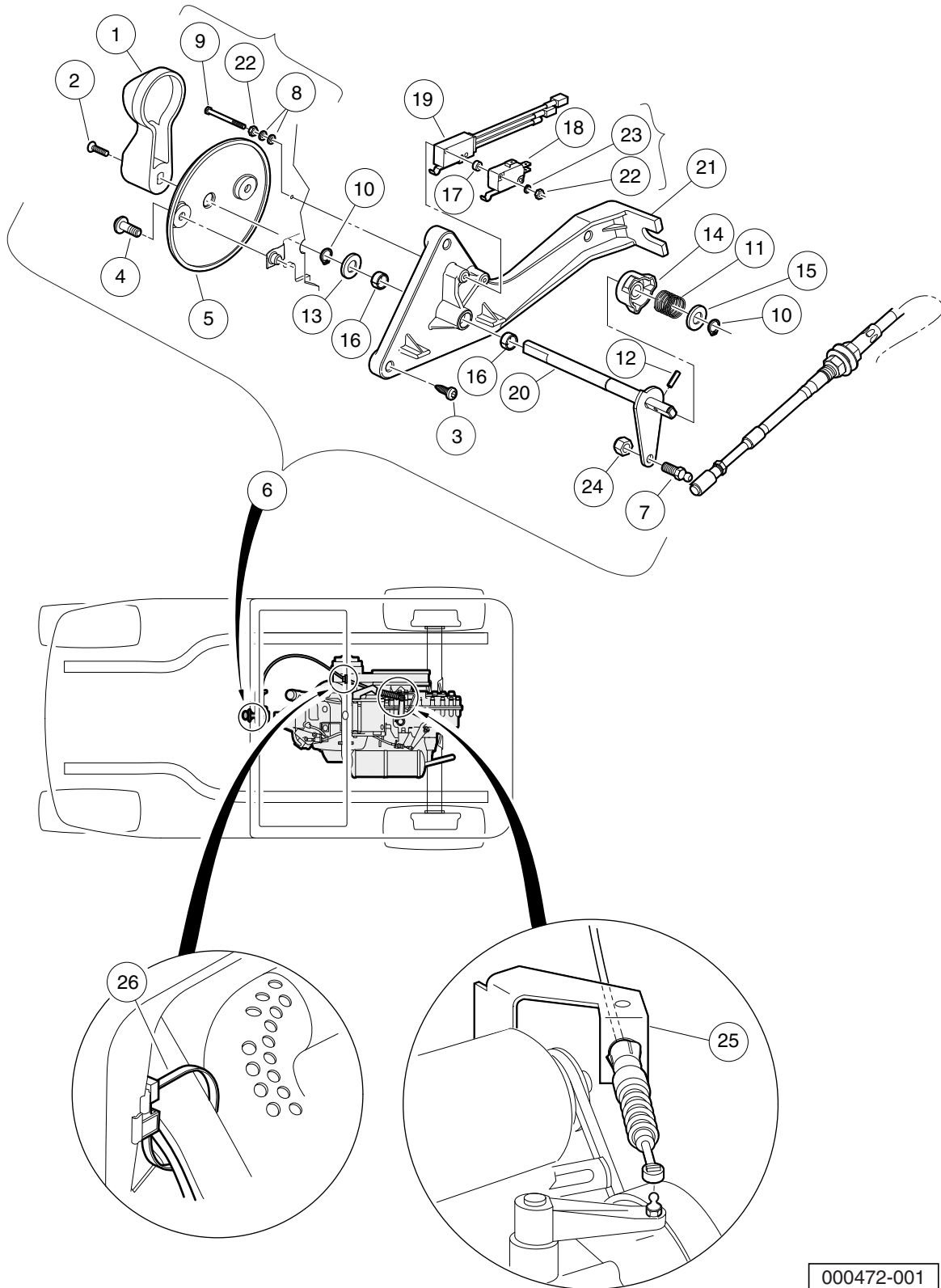
000222-001

TRANSAXLE – GASOLINE VEHICLES, DIFFERENTIAL AND AXLES

| ITEM | PART NO. | DESCRIPTION | QTY |
|------|-----------|---|-----|
| | | 1 2 3 4 | |
| 1 | 1013770 | Differential Idler Gear | 2 |
| 2 | 1013771 | Gear, Differential | 2 |
| 3 | 1013772 | Pin, Differential | 1 |
| 4 | 1013794 | Axle Shaft Oil Seal | 2 |
| 5 | N/A | Dowel Pin | 1 |
| 6 | 101890901 | Pipe | 1 |
| 7 | 101891001 | Pipe | 1 |
| 8 | 101891401 | Axle Assembly, Passenger Side (includes items 9 through 13) | 1 |
| 9 | 1011291 | Outer Axle, Tube Bearing | 1 |
| 10 | 1013787 | Lug Stud | 4 |
| 11 | 1013792 | Circlip Type C | 1 |
| 12 | 1014207 | Bushing | 1 |
| 13 | 1016672 | Retaining Ring | 1 |
| 14 | 101891501 | Axle Assembly, Driver-Side (includes items 15 through 19) | 1 |
| 15 | 1011291 | Outer Axle, Tube Bearing | 1 |
| 16 | 1013787 | Lug Stud | 4 |
| 17 | 1013792 | Circlip Type C | 1 |
| 18 | 1014207 | Bushing | 1 |
| 19 | 1016672 | Retaining Ring | 1 |
| 20 | 101892701 | Gear, Helical | 1 |
| 21 | 101910501 | Kit, Differential Gear Case (includes items 22 through 25) | 1 |
| 22 | 1013768 | Differential Gear Case, Left-Hand | 1 |
| 23 | 1013769 | Differential Gear Case, Right-Hand | 1 |
| 24 | 1013773 | Plate, Thrust (Differential Gear) | 1 |
| 25 | 1013774 | Plate, Thrust (Idler Gear) | 2 |
| 26 | 101928301 | Screw, M8-1.25 X 35mm Hex Head | 8 |
| 27 | 102031901 | Bolt, M10 X 1.5 X 30mm | 14 |
| 28 | 7330 | Inner Axle Tube Bearing | 2 |

12
G

12
G



000472-001

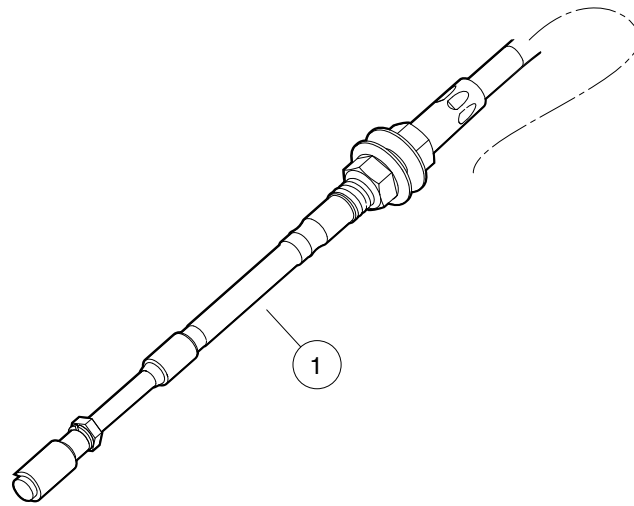
FORWARD/REVERSE SHIFTER ASSEMBLY – GASOLINE VEHICLE

| ITEM | PART NO. | DESCRIPTION | QTY |
|------|-----------|--|-----|
| | | 1 2 3 4 | |
| 1 | 1012987 | Handle, FNR | 1 |
| 2 | 1015064 | Screw, #8-32 X 0.63 Machine | 1 |
| 3 | 102296040 | Screw, Torx Pan Hd Pt, M6 X 40 | 3 |
| 4 | 102296920 | Screw, M6 Torx Bttn Hd Sems | 2 |
| 5 | 102512001 | Bezel, FNR Gas | 1 |
| 6 | N/A | Assembly - Gas F-n-r Shifter (includes items 7 through 24) | 1 |
| 7 | 1010954 | Stud, 1/4-28 X 0.560 Ball | 1 |
| 8 | 1012431 | Washer, #4 Flat | 4 |
| 9 | 1012594 | Screw, #4-40 Machine | 2 |
| 10 | 1013589 | Ring, 0.338" Internal Retaining | 2 |
| 11 | 1013590 | Spring, FNR Cam | 1 |
| 12 | 1013591 | Pin, 1/8 X 1/2 Roll | 1 |
| 13 | 1014065 | Washer, 0.38" ID Delrin Flat | 1 |
| 14 | 1014089 | Neutral Lockout Cam Kit (includes item 15) | 1 |
| 15 | 1014065 | Washer, 0.38" ID Delrin Flat | 1 |
| 16 | 1014145 | Bushing, Secondary Weight, Split | 2 |
| 17 | 1014727 | Washer, #4 Nylon Flat | 2 |
| 18 | 1014807 | Switch, Limit | 1 |
| 19 | 101979101 | Assembly, Switch, Limit | 1 |
| 20 | 102515301 | Weldment, F-n-r Gas | 1 |
| 21 | 102515601 | Base, Gas FNR Shifter | 1 |
| 22 | 8057 | Nut, #4-40 Hex Machine | 4 |
| 23 | 8058 | Lockwasher, #4 Split | 2 |
| 24 | 8717 | Locknut, 1/4-28 Nylon Insert | 1 |
| 25 | 102515501 | Bracket-trans Cable Support | 1 |
| 26 | 102554901 | Clip,edge,trans Shift Cable | 1 |

12
G

12

G



000473-001

TRANSMISSION CABLE

| ITEM | PART NO. | DESCRIPTION | QTY |
|------|-----------|---|-----|
| 1 | 103379601 | <div style="display: flex; justify-content: space-between; margin-bottom: 5px;"> 1 2 3 4 </div> Cable, Transmission, Prec | 1 |

12

G

12

G

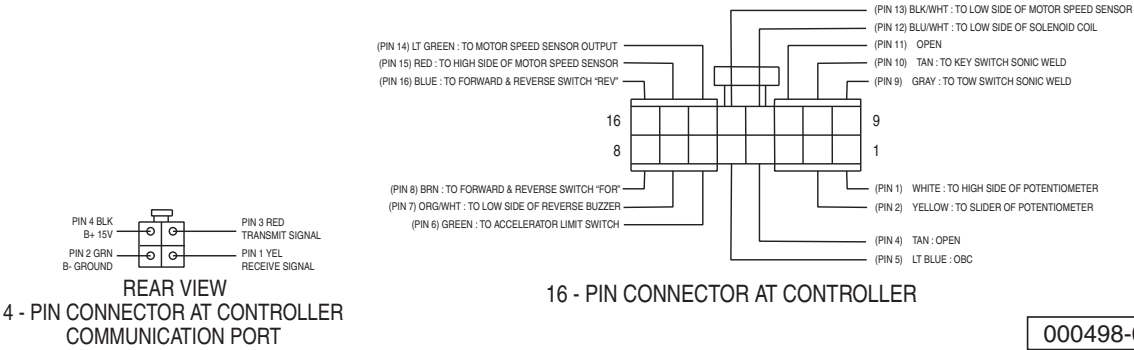
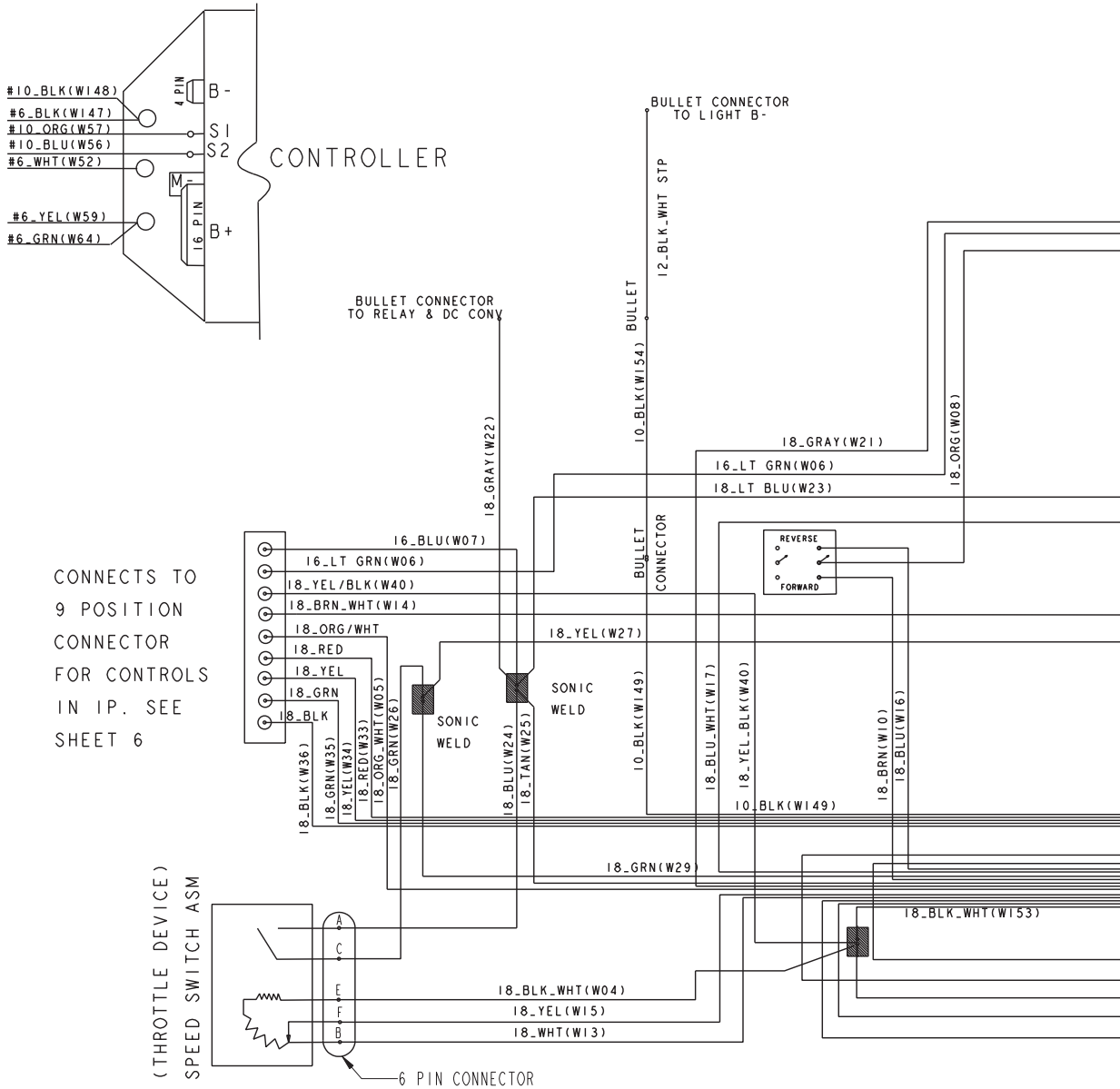
ELECTRICAL SYSTEM – ELECTRIC VEHICLE

13

E

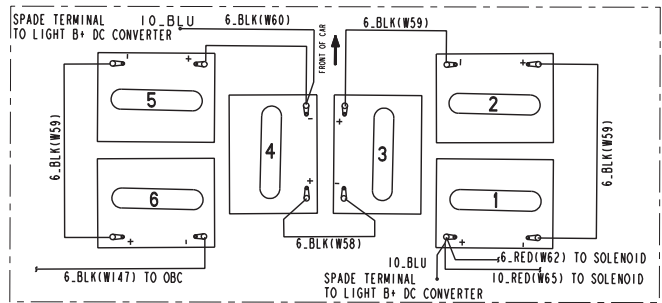
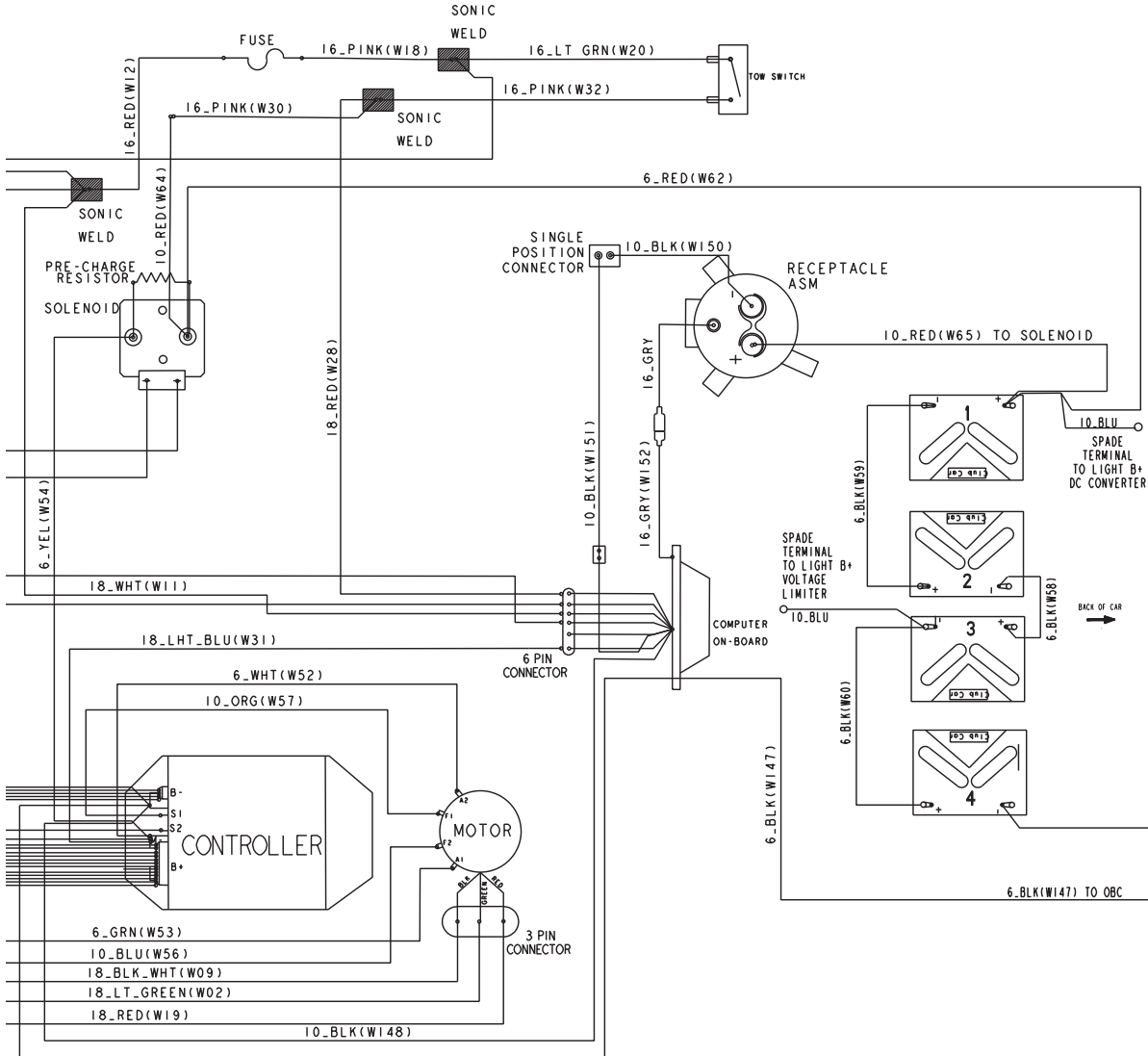
IQ SYSTEM VEHICLE - GENERATION 2 PEDAL GROUP

E



000498-004

NOTE:
SOME WIRING / COMPONENTS SHOWN
ARE OPTIONAL ACCESSORIES



000498-004

13

E

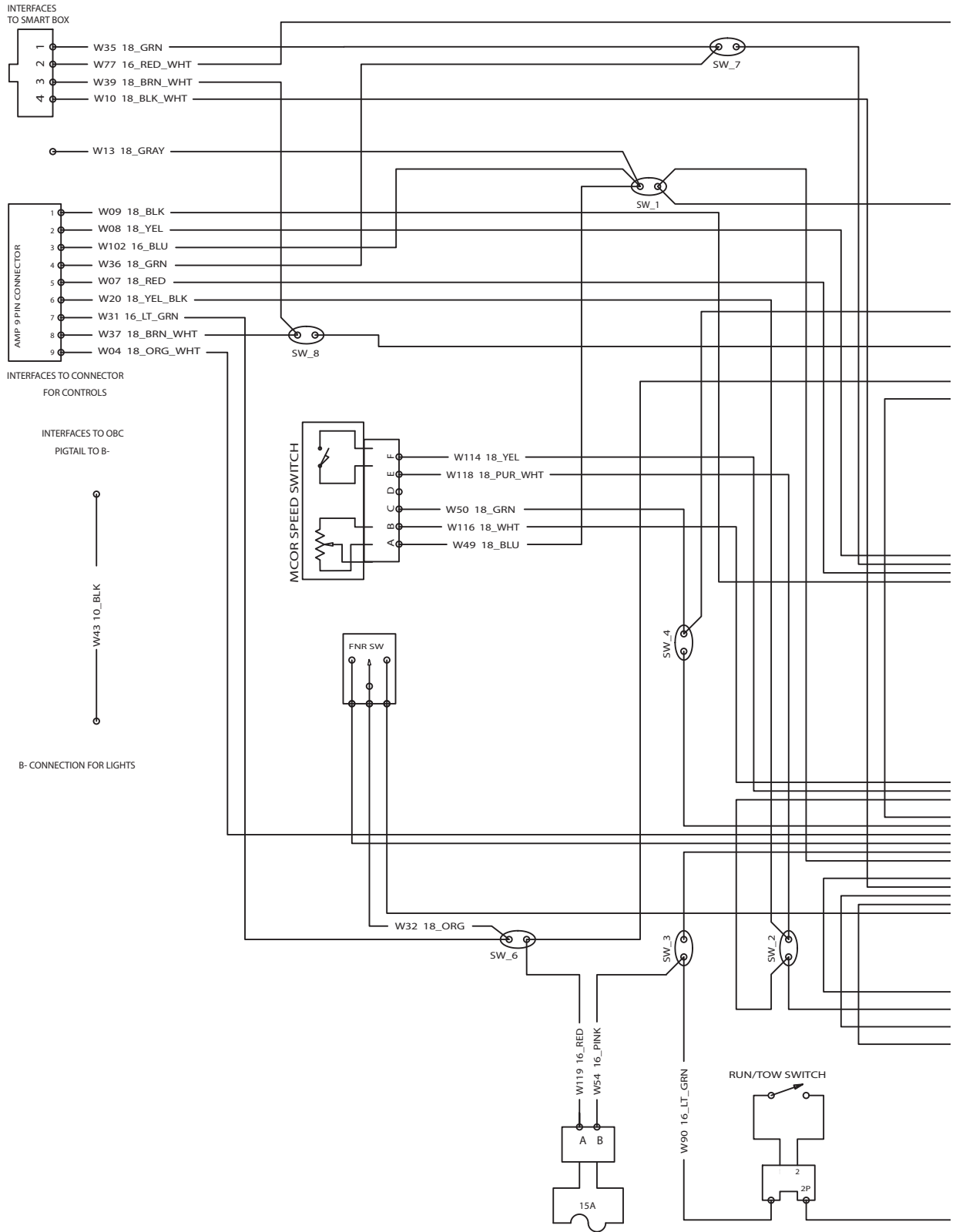
See previous two pages for illustration.

WIRING – IQ SYSTEM, GENERATION 2 PEDAL GROUP

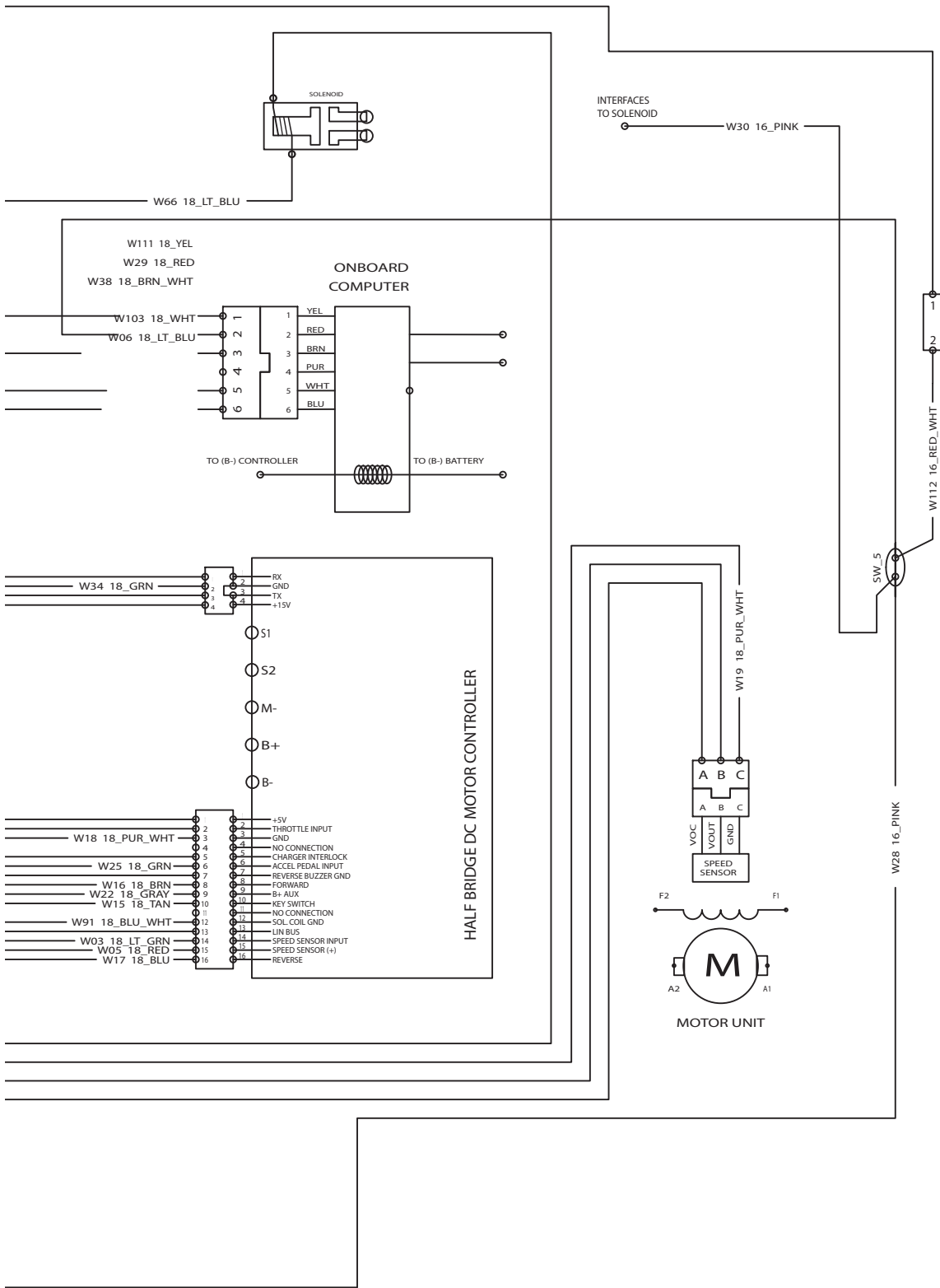
| ITEM | PART NO. | DESCRIPTION | QTY |
|------|-----------|--|-----|
| | | 1 2 3 4 | |
| 1 | 102590001 | Prec Ce Tow-switch Diode | 1 |
| 2 | 103375701 | Asm, Harness, Motor | 1 |
| 3 | 103421801 | Asm Harness Charger, Prec | 1 |
| 4 | 103449601 | Bead, Ferrite, Fair-rite | 1 |
| 5 | 103496901 | Harness, Prec Iq, Main | 1 |
| | | Note: Item 1 & 4 are used on vehicles going to the European Union. | |

13

E



000498-005



000498-005

13

E

See previous two pages for illustration.

WIRING – EXCEL SYSTEM, GENERATION 2 PEDAL GROUP

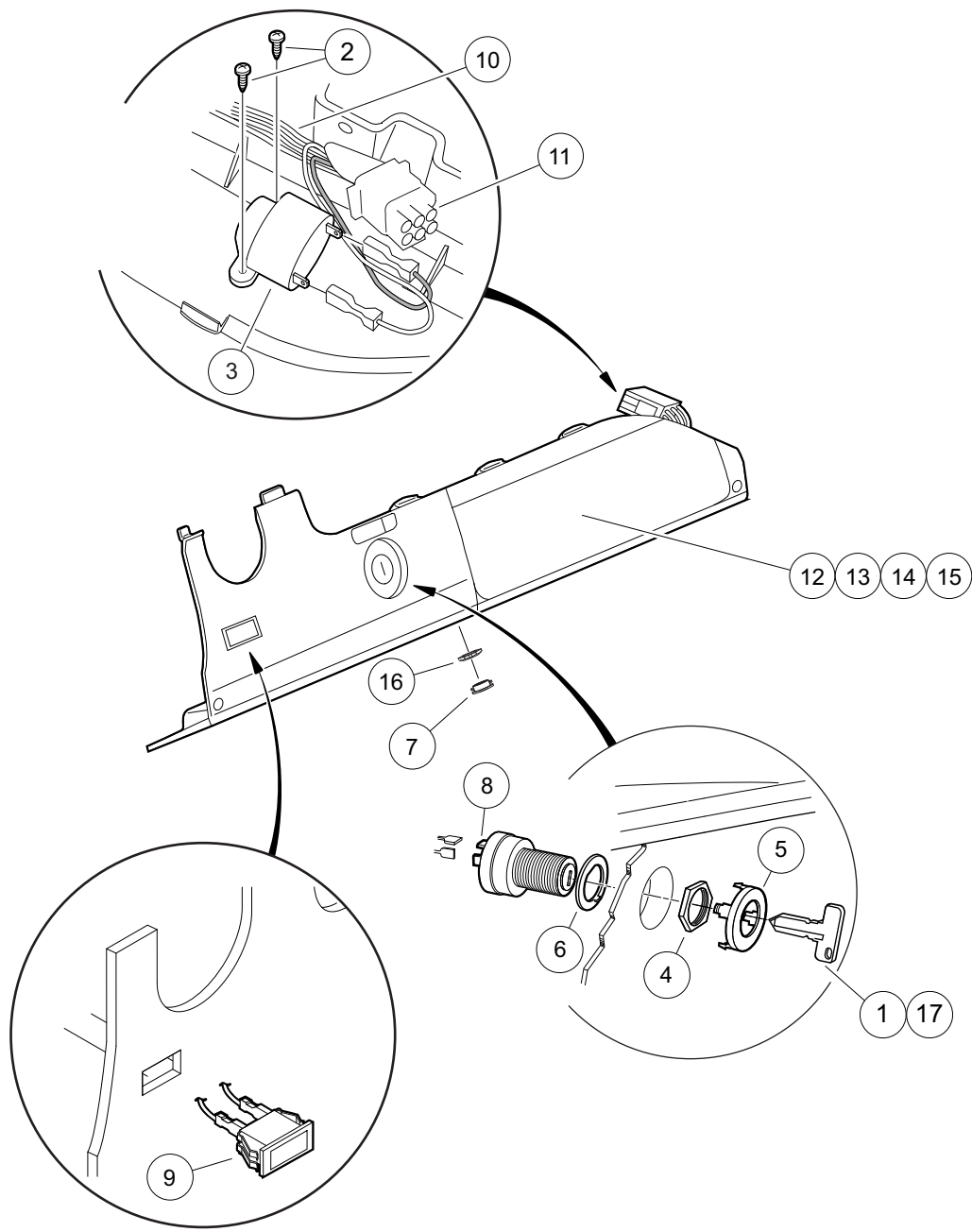
| ITEM | PART NO. | DESCRIPTION | QTY |
|------|-----------|--|-----|
| | | 1 2 3 4 | |
| 1 | 102590001 | Prec Ce Tow-switch Diode | 1 |
| 2 | 103375701 | Asm, Harness, Motor | 1 |
| 3 | 103421801 | Asm Harness Charger, Prec | 1 |
| 4 | 103449601 | Bead, Ferrite, Fair-rite | 1 |
| 5 | 103514801 | Harness, Prec Excel, Main | 1 |
| | | Note: Item 1 & 4 are used on vehicles going to the European Union. | |

13

E

13

E



000490-001

ELECTRICAL COMPONENTS, FRONT BODY – ELECTRIC VEHICLE

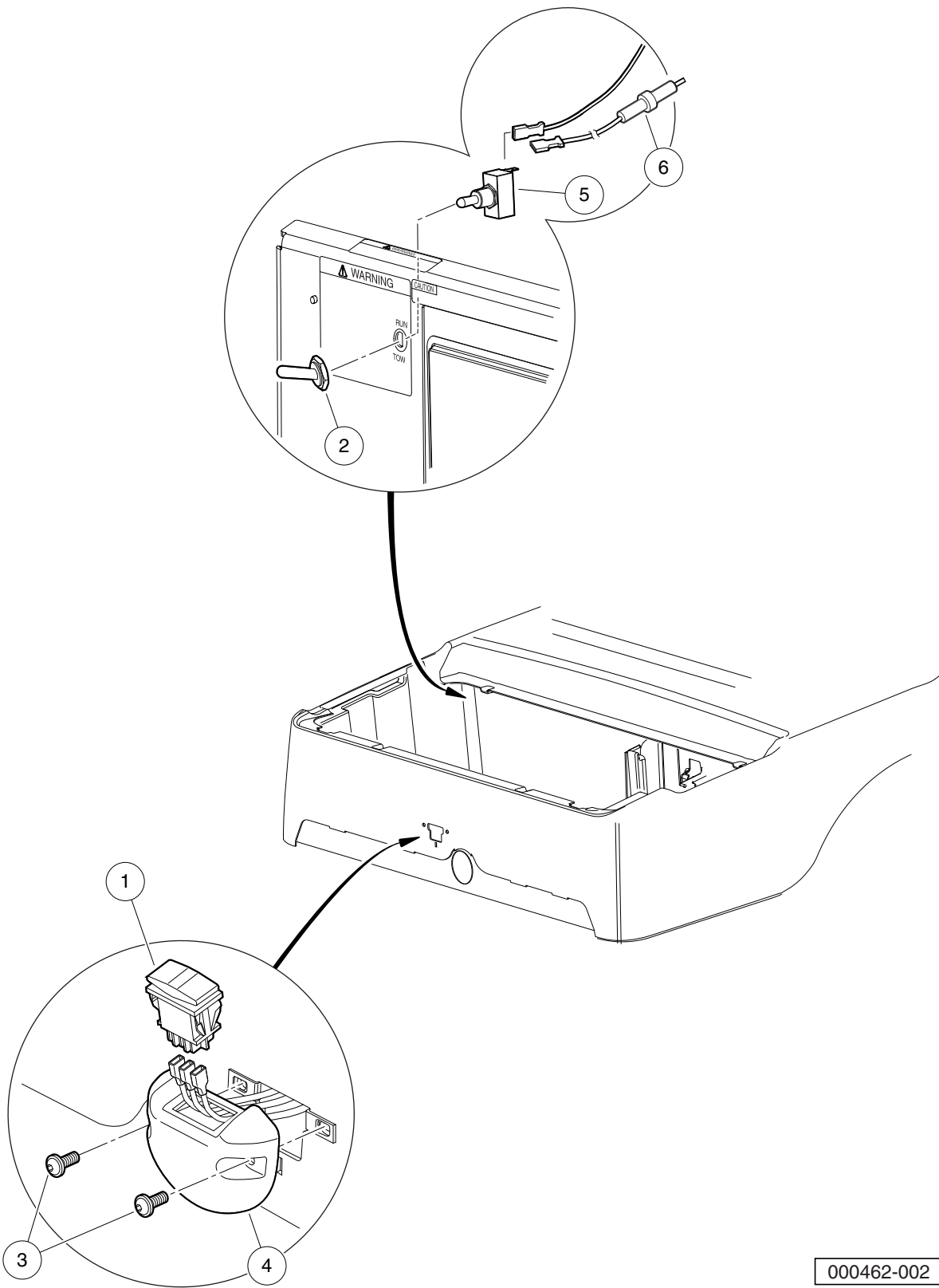
| ITEM | PART NO. | DESCRIPTION | QTY |
|------|-----------|---|-----|
| | | 1 2 3 4 | |
| 1 | 1012505 | Keys (set of 2) | 1 |
| 2 | 1016849 | Screw, #4-24 X 0.33 Pan-Head Machine | 2 |
| 3 | 1016851 | Buzzer, Reverse (9-48 VDC) | 1 |
| 4 | 101830701 | Nut, Key Switch | 1 |
| 5 | 101834502 | Cap, Black Key Switch | 1 |
| 6 | 101851101 | Washer, Key Switch | 1 |
| 7 | 102196901 | Dust Cap | 1 |
| 8 | 102508601 | Key Switch, Electric | 1 |
| 9 | 102508701 | Light, Battery | 1 |
| 10 | 102510001 | Ip Control Harness, Elec (includes item 11) | 1 |
| 11 | N/A | Connector, Cap 9-pin | 1 |
| 12 | 102522901 | Instrument Panel (standard) | 1 |
| 13 | 102536601 | Instrument Panel (with Hole for Headlight Switch) | 1 |
| 14 | 102536603 | Instrument Panel (with Hole for Battery Condition Indicator) | 1 |
| 15 | 102536605 | Instrument Panel (with Hole for Headlight Switch and Battery Condition Indicator) | 1 |
| 16 | 102572401 | Nut, Diagnostic Port, Prec | 1 |
| 17 | AM10079 | Bulk Std Keys (50) * | 1 |
| | | * Note: Must order in multiples of 50. | |

13

E

13

E



000462-002

FORWARD/REVERSE SWITCH AND TOW/RUN SWITCH – ELECTRIC VEHICLE

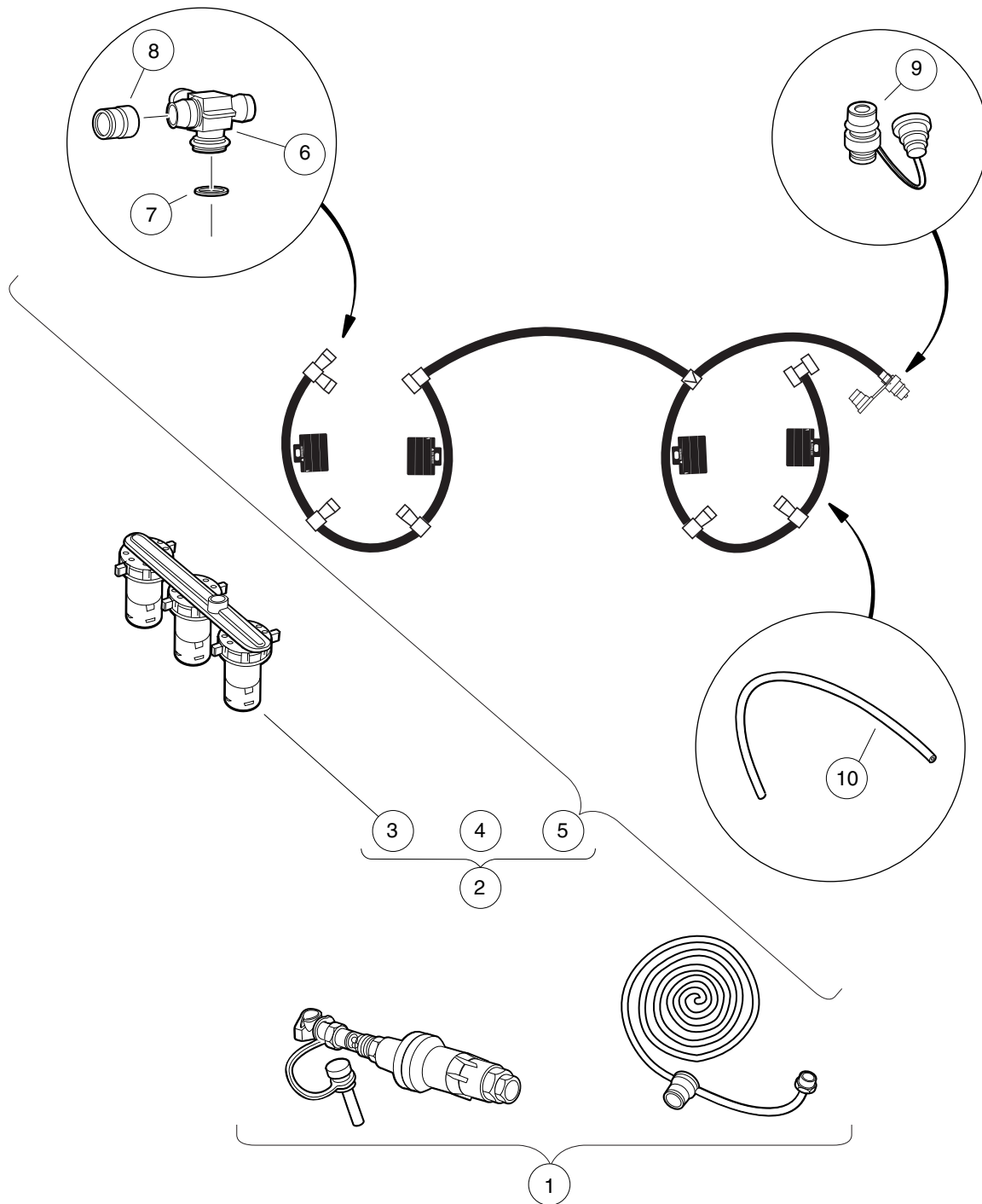
| ITEM | PART NO. | DESCRIPTION | QTY |
|------|-----------|-----------------------------------|-----|
| | | 1 2 3 4 | |
| 1 | 101856002 | Switch, Rocker, Single-Pole | 1 |
| 2 | 101908401 | Boot, Switch | 1 |
| 3 | 102296920 | Screw, M6 Torx Bttm Hd Sems | 2 |
| 4 | 102508401 | Housing, FNR Electric | 1 |
| 5 | 102511101 | Switch, Tow | 1 |
| 6 | 102538601 | 15 Amp Fuse | 1 |

13

E

13

E



000731-002

SINGLE POINT WATERING SYSTEM FOR 4X12-VOLT BATTERIES

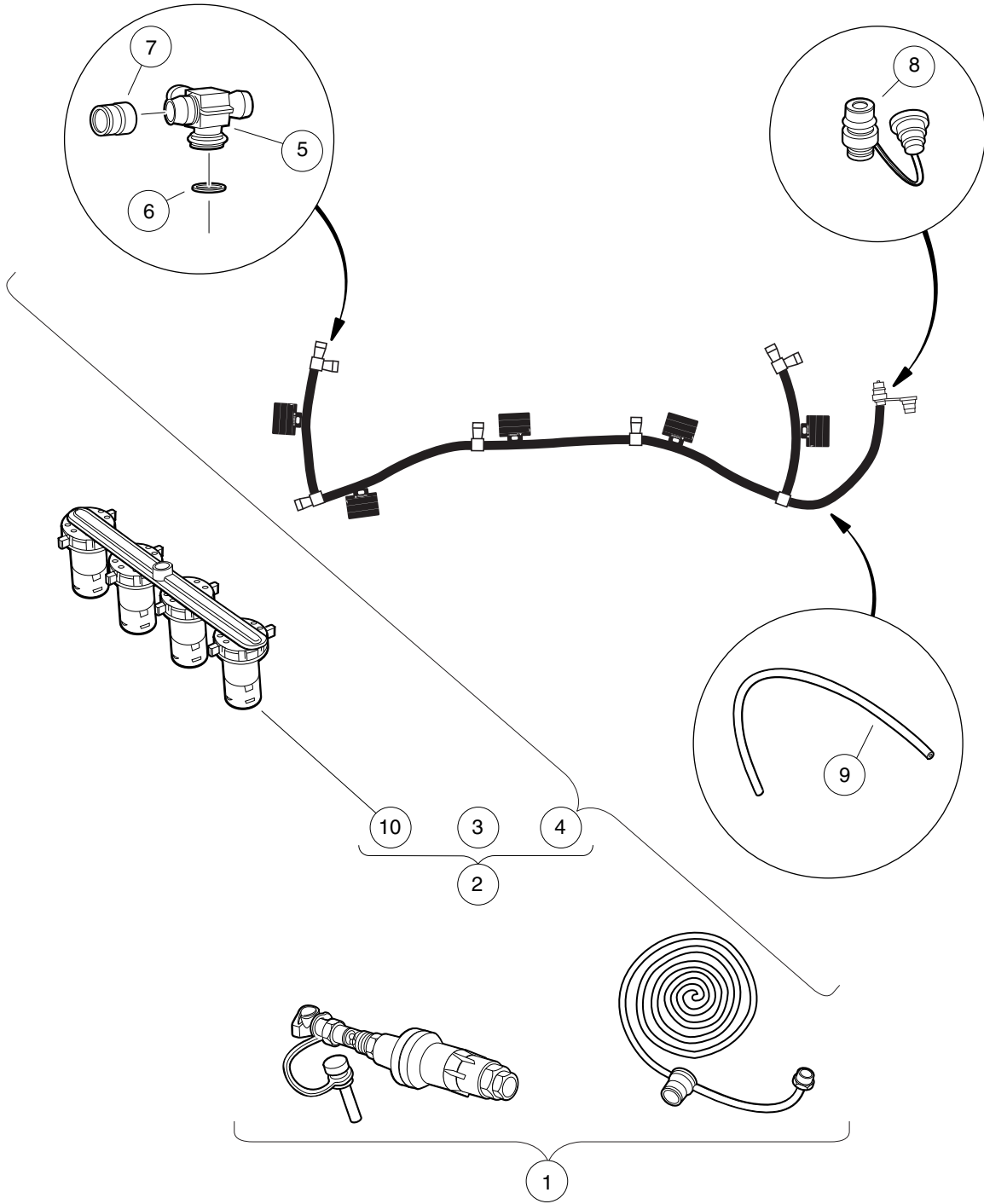
| ITEM | PART NO. | DESCRIPTION | QTY |
|------|-----------|---|-----|
| | | 1 2 3 4 | |
| 1 | 102958001 | Kit Regulated Hose Sply Spws | 1 |
| 2 | 103395503 | Kit, Spws F/r, Prec/res, 12v (includes items 3 through 5) | 1 |
| 3 | 102956401 | Manifold, SPWS (Single-Point Watering System) | 8 |
| 4 | N/A | Instr Spws Kit Prec Ds Fr | 1 |
| 5 | 103395402 | Asm Tube Spws Prec/res, 12v (includes items 6 through 10) | 1 |
| 6 | 103226201 | Fitting Spws Swivel T | 8 |
| 7 | 103226301 | O-ring Spws Swivel T | 8 |
| 8 | 103226401 | Cap Spws Swivel T Red | 9 |
| 9 | 103226601 | Coupler Male Spws Supply | 1 |
| 10 | 103226701 | Tubing Spws | A/R |

13

E

13

E



000731-003

SINGLE POINT WATERING SYSTEM FOR 6X8-VOLT BATTERIES

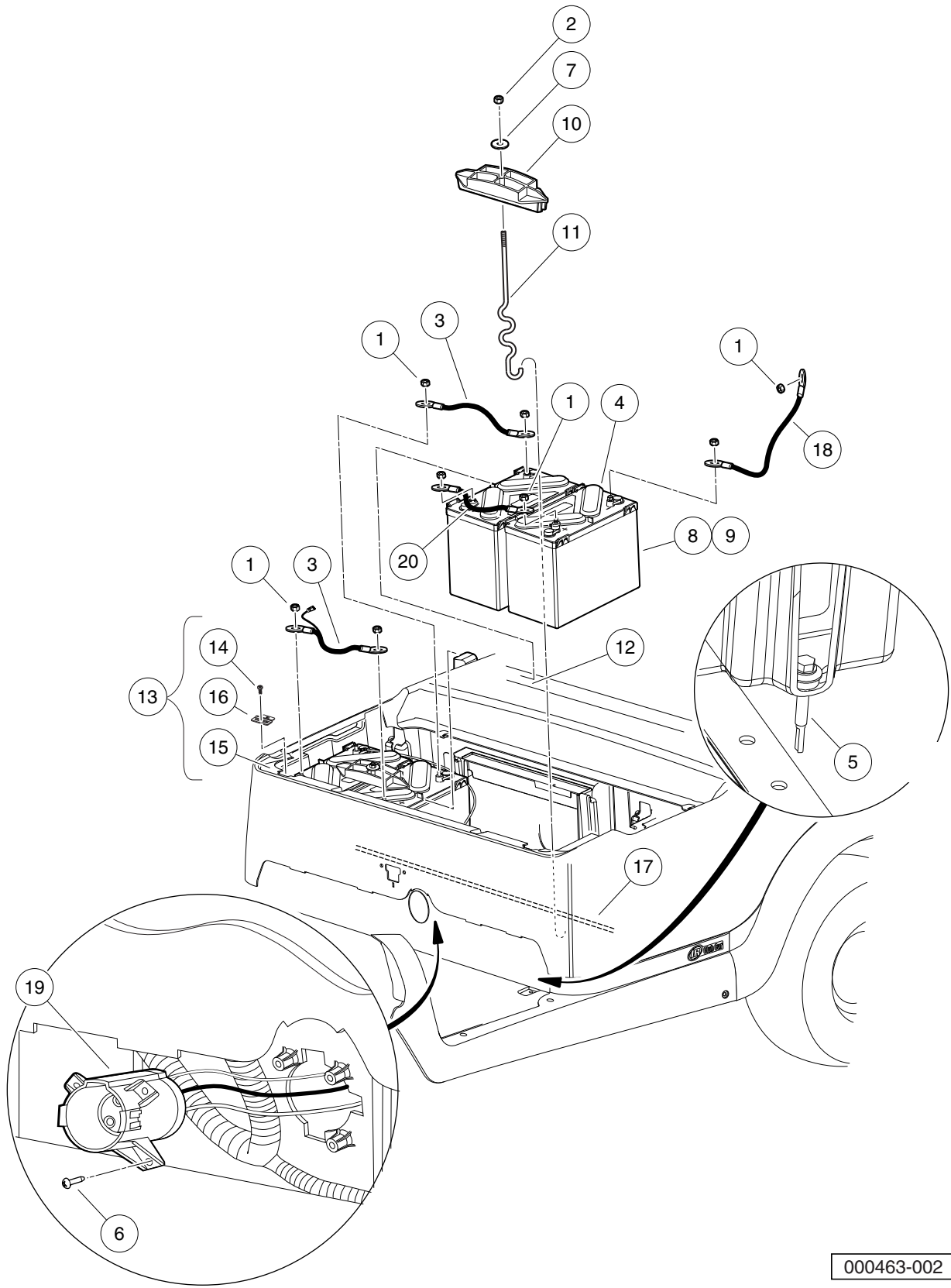
| ITEM | PART NO. | DESCRIPTION | QTY |
|------|-----------|---|-----|
| | | 1 2 3 4 | |
| 1 | 102958001 | Kit Regulated Hose Sply Spws | 1 |
| 2 | 103395501 | Kit, Spws F/r, Prec/res, 8v (includes items 3 through 10) | 1 |
| 3 | N/A | Instr Spws Kit Prec Ds Fr | 1 |
| 4 | 103395401 | Asm Tube Spws Prec/res, 8v (includes items 5 through 9) | 1 |
| 5 | 103226201 | Fitting Spws Swivel T | 6 |
| 6 | 103226301 | O-ring Spws Swivel T | 6 |
| 7 | 103226401 | Cap Spws Swivel T Red | 7 |
| 8 | 103226601 | Coupler Male Spws Supply | 1 |
| 9 | 103226701 | Tubing Spws | A/R |
| 10 | 103510601 | Spws, Manifold Asm, Tr 8 Volt | 1 |

13

E

13

E



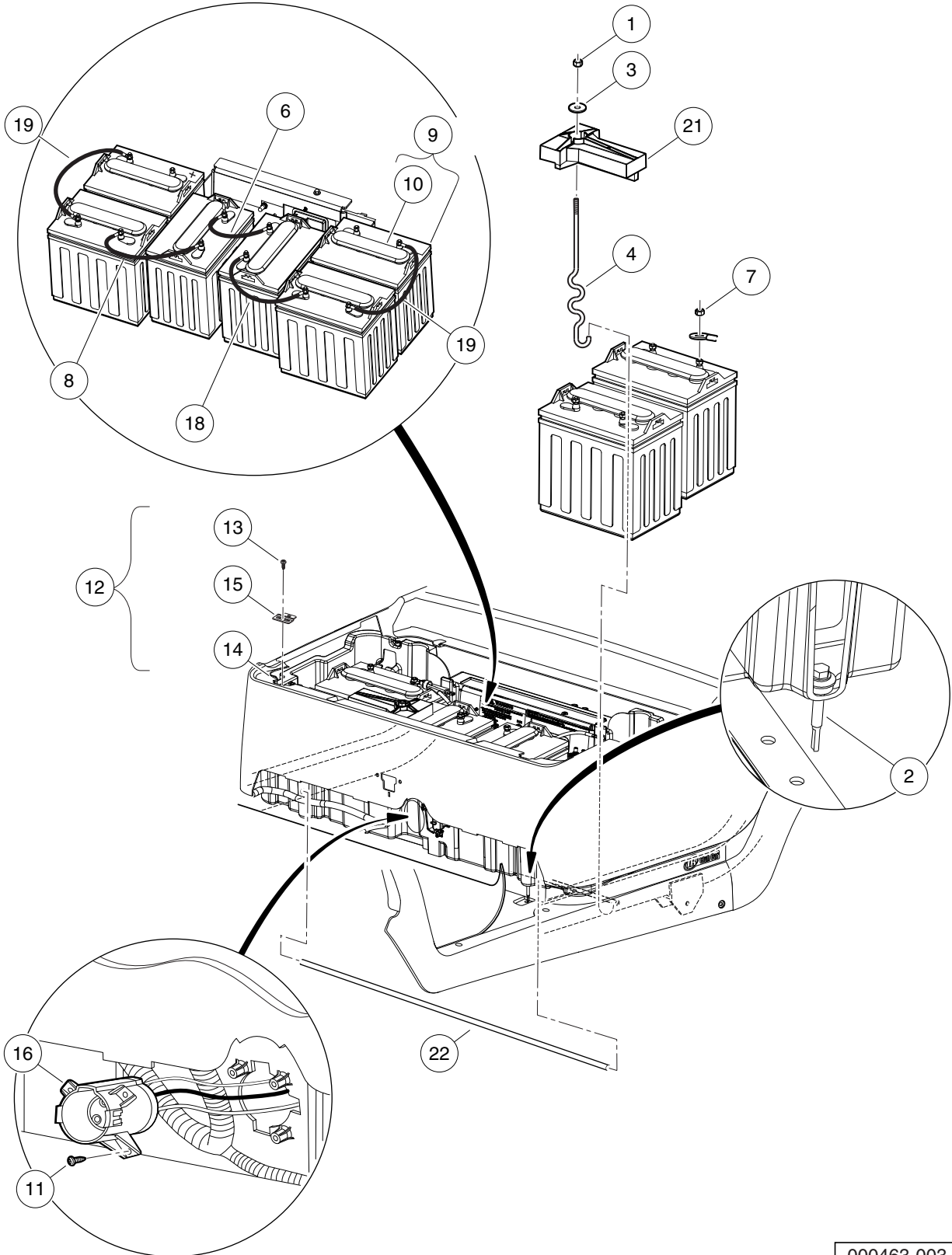
000463-002

BATTERIES, BUCKET, AND CHARGER RECEPTACLE – IQ AND EXCEL SYSTEMS 4X12-VOLT BATTERIES

| ITEM | PART NO. | DESCRIPTION | QTY |
|------|-----------|--|-----|
| | | 1 2 3 4 | |
| 1 | 1014304 | Nut, 5/16-18 Stainless-Steel Hex | 8 |
| 2 | 1014555 | Locknut, 7/16-14 Nylon Hex | 2 |
| 3 | 101795701 | Asm, Wire, #6blk 13in | 2 |
| 4 | 101831401 | Battery Cap 6 Volt | 8 |
| 5 | 101832001 | Screw, #7-19 X 0.625 Phillips Pan-Head Tap | 3 |
| 6 | 102292356 | Screw-1/4-20x56 Hwh Self Drill | 4 |
| 7 | 102491501 | Washer Hard,m10 | 2 |
| 8 | 102511301 | Battery, Ventmaster 12-Volt (Wet) | 4 |
| 9 | 102511302 | Battery, Ventmaster 12-Volt (Dry, also known as moist) | 4 |
| 10 | 102534001 | Clamp - Battery | 2 |
| 11 | 103357701 | Bolt, Battery, "s" Hold-down | 2 |
| 12 | 103358501 | Separator, Battery, 12 Volt | 1 |
| 13 | 103368401 | Asm, Bucket, Batt, Elec, Prec (includes items 14 through 16) | 1 |
| 14 | 102298020 | Screw, K80x20, Torx Pn Hd Pt | 2 |
| 15 | N/A | Bucket, Batt, Elec, Precedent | 1 |
| 16 | 103368301 | Hinge - Nested | 2 |
| 17 | 103375301 | Tube, Cross, Battery Rod | 1 |
| 18 | 103375401 | Asm, Ev Battery Positive | 1 |
| 19 | 103375501 | Asm, Prec Restyle Receptacle | 1 |
| 20 | 103376001 | Wire Asm #6 Blk, Prec/restyle | 1 |

13

E



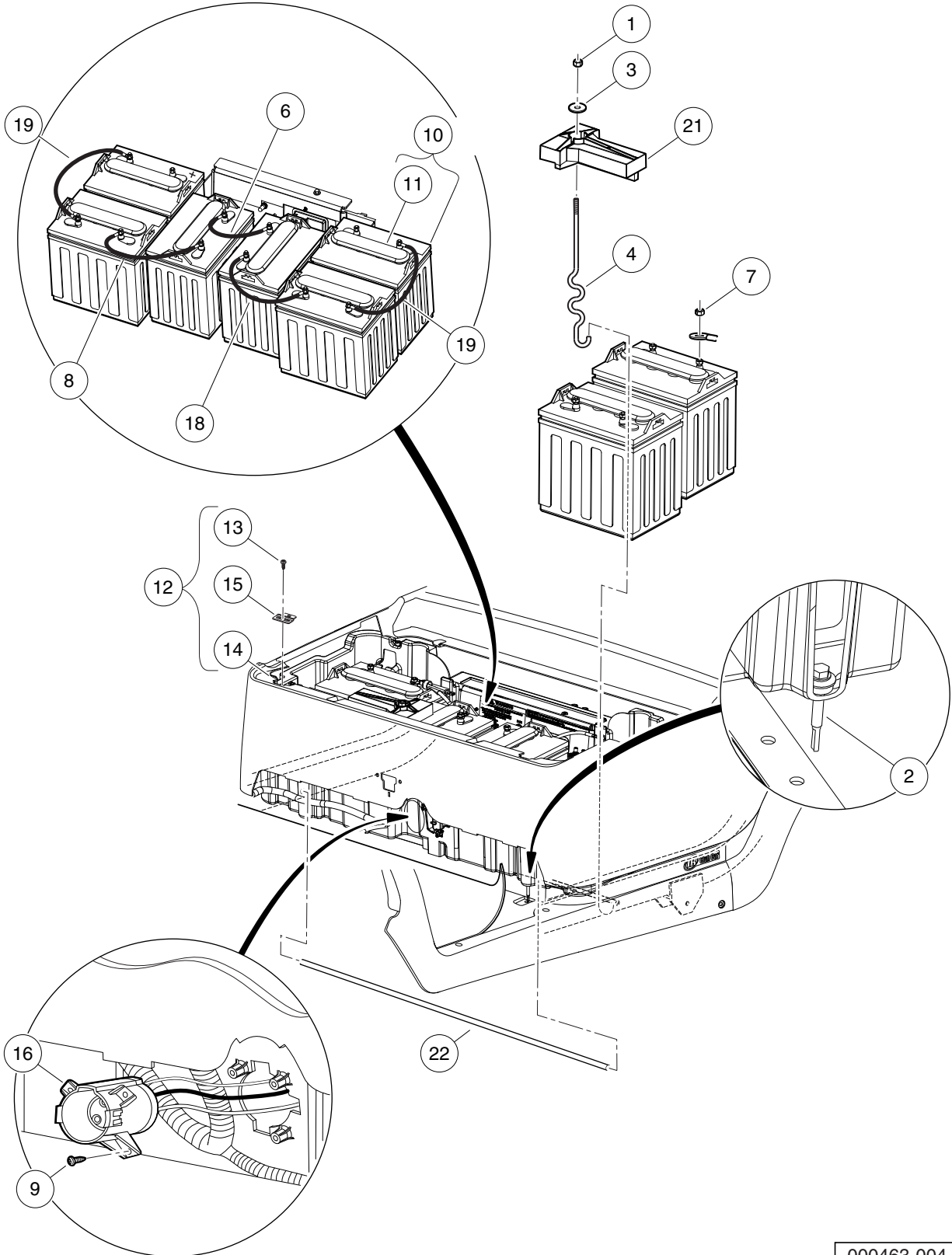
000463-003

BATTERIES, BUCKET, AND CHARGER RECEPTACLE – IQ AND EXCEL SYSTEMS 6X8-VOLT BATTERIES

| ITEM | PART NO. | DESCRIPTION | QTY |
|------|-----------|--|-----|
| | | 1 2 3 4 | |
| 1 | 1014555 | Locknut, 7/16-14 Nylon Hex | 2 |
| 2 | 102292356 | Screw-1/4-20x56 Hwh Self Drill | 4 |
| 3 | 102491501 | Washer Hard,m10 | 2 |
| 4 | 103357701 | Bolt, Battery, "s" Hold-down | 2 |
| 5 | N/A | Bucket Asm - 8v (includes items 6 through 19) | 1 |
| 6 | 1014304 | Nut, 5/16-18 Stainless-Steel Hex | 12 |
| 7 | 101797701 | Battery, 8-Volt, T875 (includes item 8) | 6 |
| 8 | 101797801 | Cap, 4-Gang Battery | 1 |
| 9 | 101832001 | Screw, #7-19 X 0.625 Phillips Pan-Head Tap | 3 |
| 10 | 103368401 | Asm, Bucket, Batt, Elec, Prec (includes items 11 through 13) | 1 |
| 11 | 102298020 | Screw, K80x20, Torx Pn Hd Pt | 2 |
| 12 | N/A | Bucket, Batt, Elec, Precedent | 1 |
| 13 | 103368301 | Hinge - Nested | 2 |
| 14 | 103375501 | Asm, Prec Restyle Receptacle | 1 |
| 15 | N/A | Asm, Elec Module, Prec/res | 1 |
| 16 | 103376001 | Wire Asm #6 Blk, Prec/restyle | 1 |
| 17 | 103647401 | Wire Asm #6 Blk, 5" | 1 |
| 18 | 103647402 | Wire Asm #6 Blk, 12" | 2 |
| 19 | 8639 | Tie Wrap, 11" Nylon | 2 |
| 20 | 103374801 | Hold Down, Battery | 2 |
| 21 | 103375301 | Tube, Cross, Battery Rod | 1 |

13

E



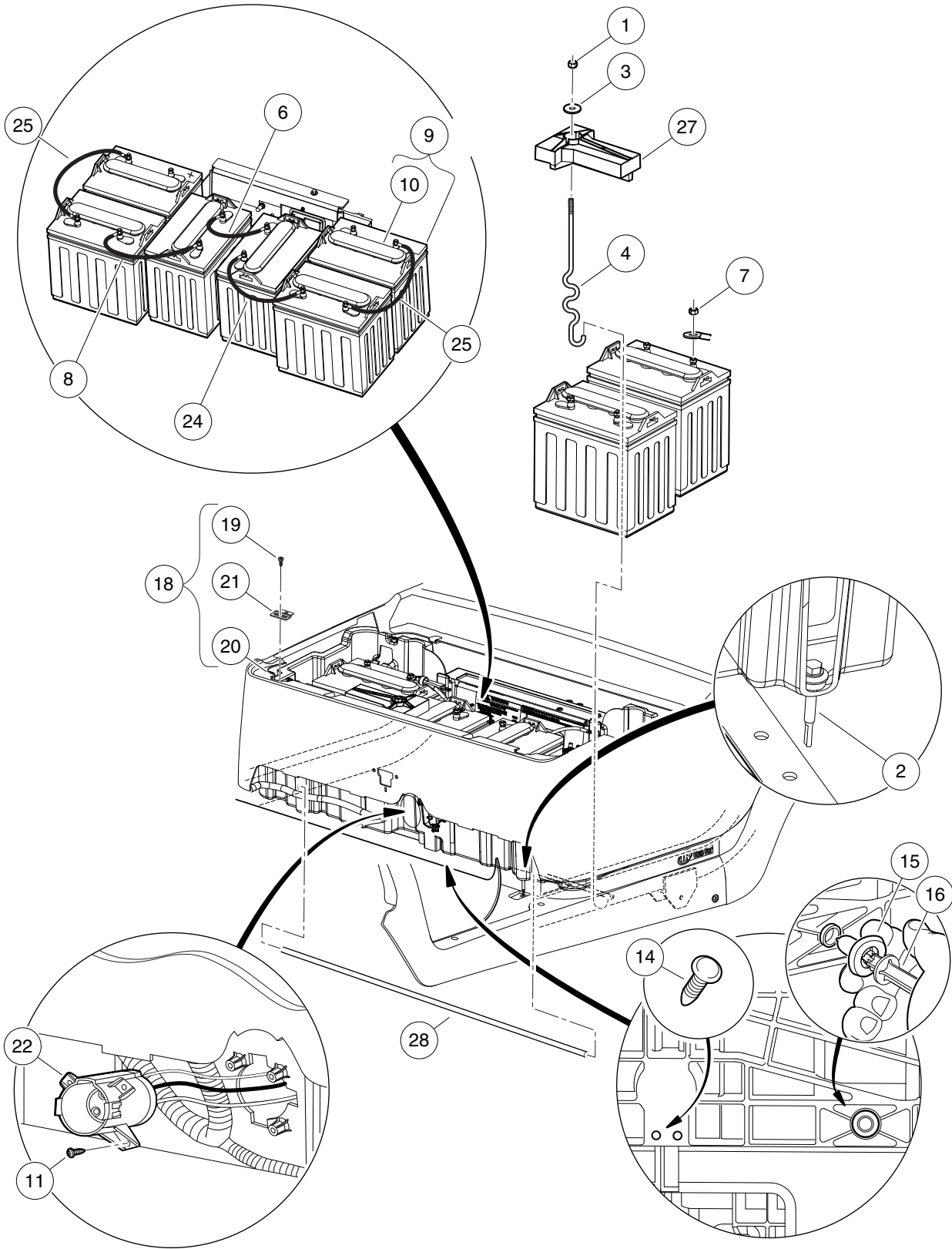
000463-004

BATTERIES, BUCKET, AND CHARGER RECEPTACLE – IQ AND EXCEL SYSTEMS, HEAVY DUTY 6X8-VOLT BATTERIES

| ITEM | PART NO. | DESCRIPTION | QTY |
|------|-----------|--|-----|
| | | 1 2 3 4 | |
| 1 | 1014555 | Locknut, 7/16-14 Nylon Hex | 2 |
| 2 | 102292356 | Screw-1/4-20x56 Hwh Self Drill | 4 |
| 3 | 102491501 | Washer Hard,m10 | 2 |
| 4 | 103357701 | Bolt, Battery, "s" Hold-down | 2 |
| 5 | N/A | Bucket Asm - 8v, Hd (includes items 6 through 20) | 1 |
| 6 | 1010958 | Asm, Wire, #6blk 8in | 1 |
| 7 | 1014304 | Nut, 5/16-18 Stainless-Steel Hex | 12 |
| 8 | 101795701 | Asm, Wire, #6blk 13in | 1 |
| 9 | 101832001 | Screw, #7-19 X 0.625 Phillips Pan-Head Tap | 3 |
| 10 | 101964201 | Battery, 8v Trojan T890 (Wet) (includes item 11) | 6 |
| 11 | 101797801 | Cap, 4-Gang Battery | 1 |
| 12 | 103368401 | Asm, Bucket, Batt, Elec, Prec (includes items 13 through 15) | 1 |
| 13 | 102298020 | Screw, K80x20, Torx Pn Hd Pt | 2 |
| 14 | N/A | Bucket, Batt, Elec, Precedent | 1 |
| 15 | 103368301 | Hinge - Nested | 2 |
| 16 | 103375501 | Asm, Prec Restyle Receptacle | 1 |
| 17 | N/A | Asm, Elec Module, Prec/res | 1 |
| 18 | 103376001 | Wire Asm #6 Blk, Prec/restyle | 1 |
| 19 | 103413901 | Wire Asm, #6 Blk #21 | 2 |
| 20 | 8639 | Tie Wrap, 11" Nylon | 2 |
| 21 | 103374801 | Hold Down, Battery | 2 |
| 22 | 103375301 | Tube, Cross, Battery Rod | 1 |

13

E



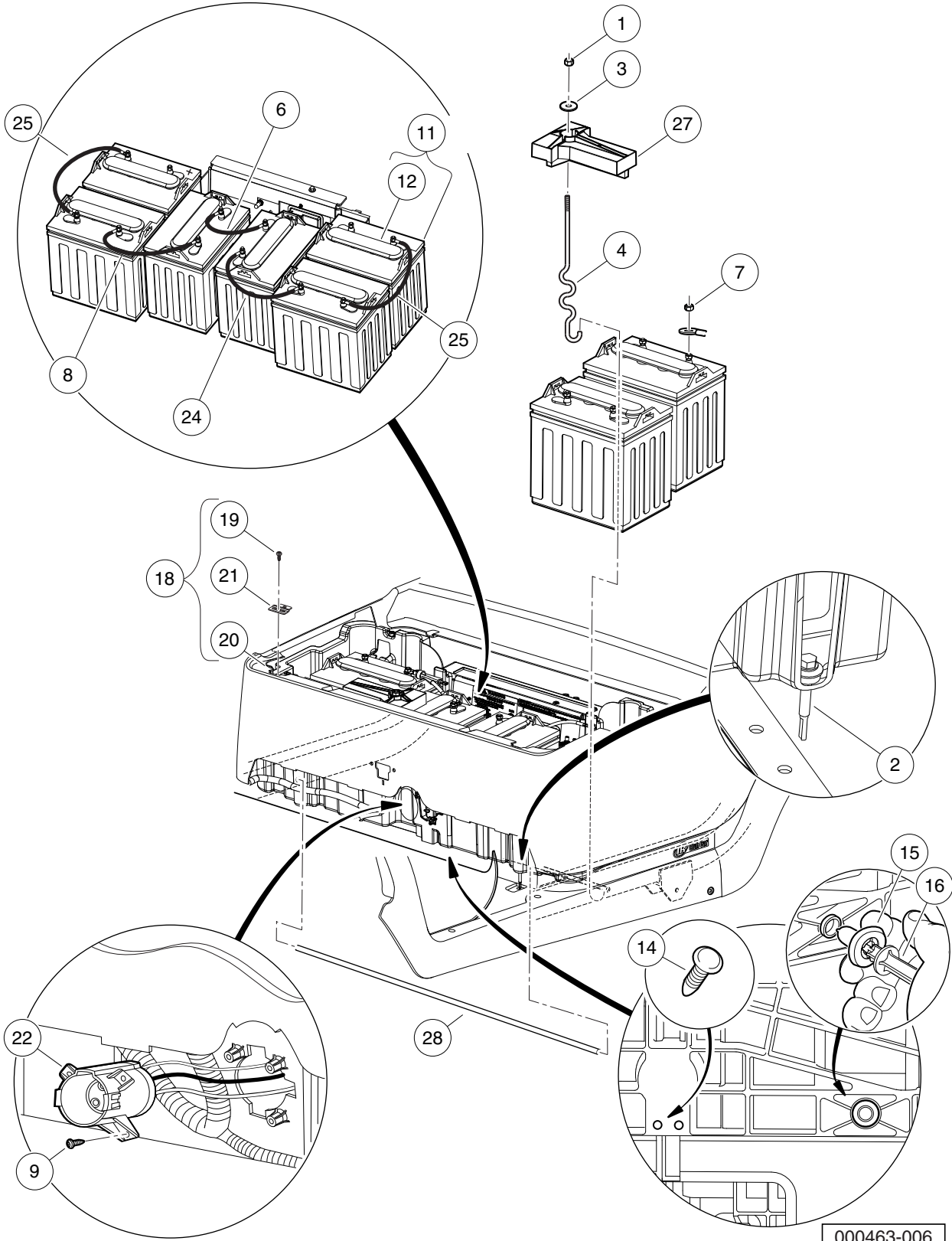
000463-005

BATTERIES, BUCKET, AND CHARGER RECEPTACLE – IQ AND EXCEL SYSTEMS, CE 6X8-VOLT BATTERIES

13

E

| ITEM | PART NO. | DESCRIPTION | QTY |
|------|-----------|--|-----|
| | | 1 2 3 4 | |
| 1 | 1014555 | Locknut, 7/16-14 Nylon Hex | 2 |
| 2 | 102292356 | Screw-1/4-20x56 Hwh Self Drill | 4 |
| 3 | 102491501 | Washer Hard,m10 | 2 |
| 4 | 103357701 | Bolt, Battery, "s" Hold-down | 2 |
| 5 | N/A | Bucket Asm - 8v, Ce (includes items 6 through 26) | 1 |
| 6 | 1010958 | Asm, Wire, #6blk 8in | 1 |
| 7 | 1014304 | Nut, 5/16-18 Stainless-Steel Hex | 12 |
| 8 | 101795701 | Asm, Wire, #6blk 13in | 1 |
| 9 | 101797701 | Battery, 8-Volt, T875 (includes item 10) | 6 |
| 10 | 101797801 | Cap, 4-Gang Battery | 1 |
| 11 | 101832001 | Screw, #7-19 X 0.625 Phillips Pan-Head Tap | 3 |
| 12 | 101865805 | Decal Ce | 1 |
| 13 | 102571202 | Kit Ce Plug - Bucket Elec (includes items 14 through 17) | 1 |
| 14 | 1010434 | Barrel - Plastic | 2 |
| 15 | N/A | Plug, 1/2", Ce Bucket | 6 |
| 16 | N/A | Instal Tool, Ce Bucket Plug | 1 |
| 17 | N/A | Instr, Prec Ce Bucket Plug | 1 |
| 18 | 103368401 | Asm, Bucket, Batt, Elec, Prec (includes items 19 through 21) | 1 |
| 19 | 102298020 | Screw, K80x20, Torx Pn Hd Pt | 2 |
| 20 | N/A | Bucket, Batt, Elec, Precedent | 1 |
| 21 | 103368301 | Hinge - Nested | 2 |
| 22 | 103375501 | Asm, Prec Restyle Receptacle | 1 |
| 23 | N/A | Asm, Elec Module, Prec/res, Ce | 1 |
| 24 | 103376001 | Wire Asm #6 Blk, Prec/restyle | 1 |
| 25 | 103413901 | Wire Asm, #6 Blk #21 | 2 |
| 26 | 8639 | Tie Wrap, 11" Nylon | 2 |
| 27 | 103374801 | Hold Down, Battery | 2 |
| 28 | 103375301 | Tube, Cross, Battery Rod | 1 |



000463-006

BATTERIES, BUCKET, AND CHARGER RECEPTACLE – IQ AND EXCEL SYSTEMS, HEAVY DUTY, CE, STYLE B

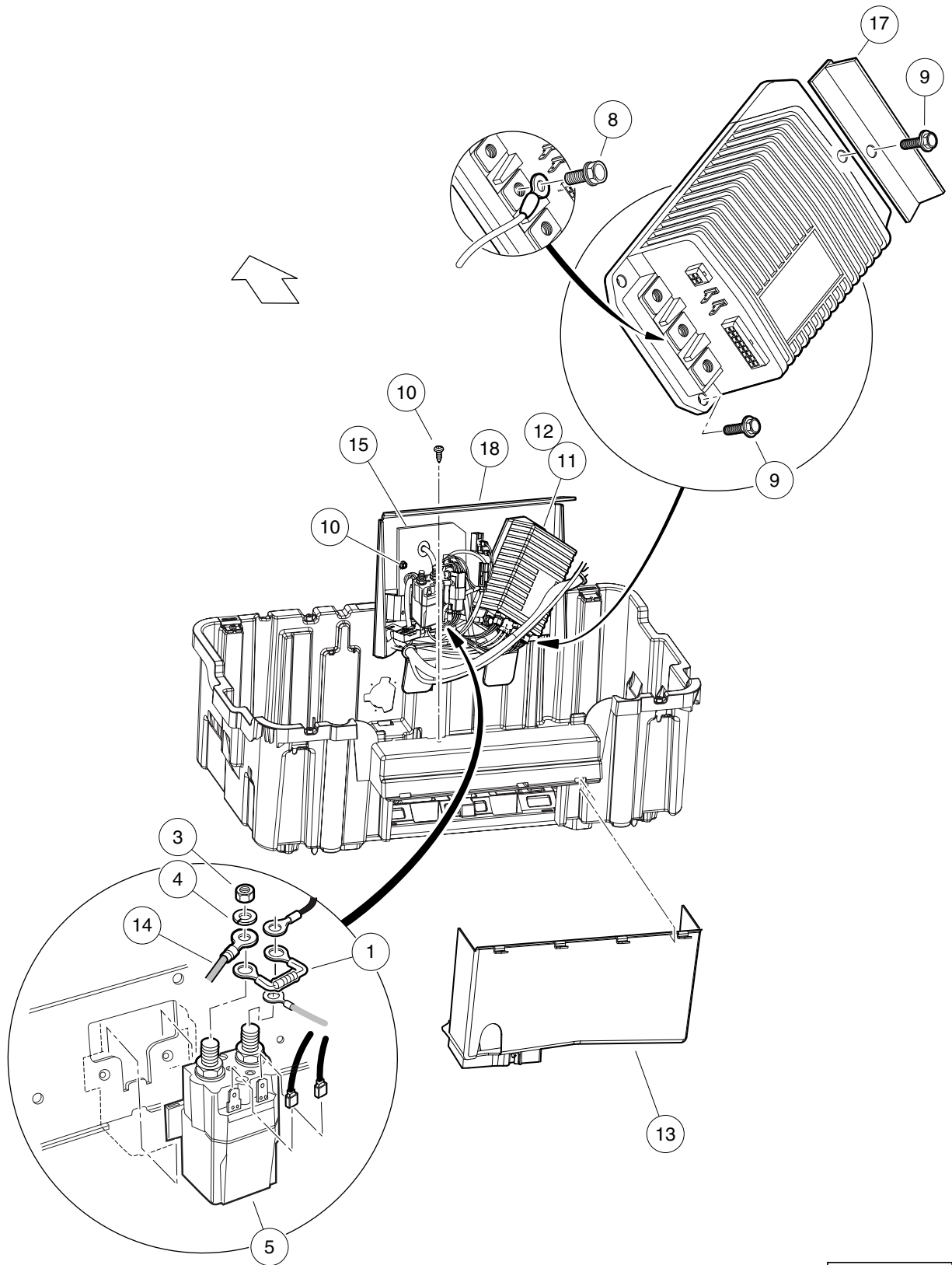
| ITEM | PART NO. | DESCRIPTION | QTY |
|------|-----------|--|-----|
| | | 1 2 3 4 | |
| 1 | 1014555 | Locknut, 7/16-14 Nylon Hex | 2 |
| 2 | 102292356 | Screw-1/4-20x56 Hwh Self Drill | 4 |
| 3 | 102491501 | Washer Hard,m10 | 2 |
| 4 | 103357701 | Bolt, Battery, "s" Hold-down | 2 |
| 5 | N/A | Bucket Asm - 8v, Hd, Ce (includes items 6 through 26) | 1 |
| 6 | 1010958 | Asm, Wire, #6blk 8in | 1 |
| 7 | 1014304 | Nut, 5/16-18 Stainless-Steel Hex | 12 |
| 8 | 101795701 | Asm, Wire, #6blk 13in | 1 |
| 9 | 101832001 | Screw, #7-19 X 0.625 Phillips Pan-Head Tap | 3 |
| 10 | 101865805 | Decal Ce | 1 |
| 11 | 101964201 | Battery, 8v Trojan T890 (Wet) (includes item 12) | 6 |
| 12 | 101797801 | Cap, 4-Gang Battery | 1 |
| 13 | 102571202 | Kit Ce Plug - Bucket Elec (includes items 14 through 17) | 1 |
| 14 | 1010434 | Barrel - Plastic | 2 |
| 15 | N/A | Plug, 1/2", Ce Bucket | 6 |
| 16 | N/A | Instal Tool, Ce Bucket Plug | 1 |
| 17 | N/A | Instr, Prec Ce Bucket Plug | 1 |
| 18 | 103368401 | Asm, Bucket, Batt, Elec, Prec (includes items 19 through 21) | 1 |
| 19 | 102298020 | Screw, K80x20, Torx Pn Hd Pt | 2 |
| 20 | N/A | Bucket, Batt, Elec, Precedent | 1 |
| 21 | 103368301 | Hinge - Nested | 2 |
| 22 | 103375501 | Asm, Prec Restyle Receptacle | 1 |
| 23 | N/A | Asm, Elec Module, Prec/res, Ce | 1 |
| 24 | 103376001 | Wire Asm #6 Blk, Prec/restyle | 1 |
| 25 | 103413901 | Wire Asm, #6 Blk #21 | 2 |
| 26 | 8639 | Tie Wrap, 11" Nylon | 2 |
| 27 | 103374801 | Hold Down, Battery | 2 |
| 28 | 103375301 | Tube, Cross, Battery Rod | 1 |

13

E

13

E



000486-002

COMPUTER, CONTROLLER, AND SOLENOID – IQ SYSTEM

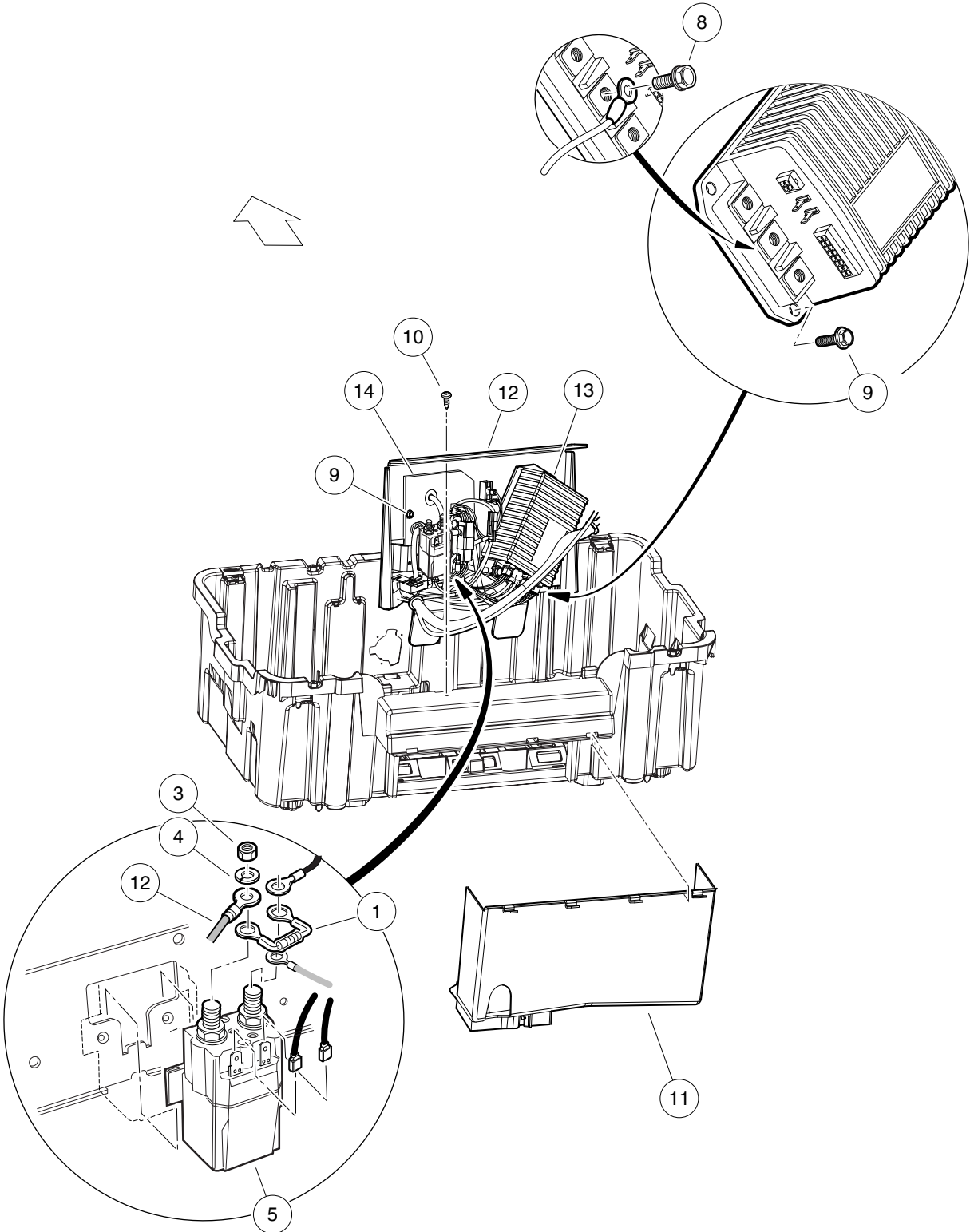
| ITEM | PART NO. | DESCRIPTION | QTY |
|------|-----------|--|-----|
| | | 1 2 3 4 | |
| 1 | 1014947 | Resistor Assembly | 1 |
| 2 | 101908701 | Solenoid, 48-Volt (includes items 3 through 7) | 1 |
| 3 | 1012528 | Nut, M8-1.25 Hex | 2 |
| 4 | 1013734 | Lockwasher, 8mm Split | 2 |
| 5 | N/A | Solenoid, 48-Volt | 1 |
| 6 | N/A | Washer, Lock | 2 |
| 7 | N/A | Nut | 2 |
| 8 | 102240501 | Bolt, Controller, Terminal | 3 |
| 9 | 102296716 | Screw, M6 X 16 Tt Hx Fl Hd | 11 |
| 10 | 102298020 | Screw, K80x20, Torx Pn Hd Pt | 1 |
| 11 | 102806201 | Controller, IQ, 48-volt | 1 |
| 12 | 102806203 | Controller, 48v Iq Golf, Ce | 1 |
| 13 | 103367901 | Shield - Controller | 1 |
| 14 | 103375401 | Asm, Ev Battery Positive | 1 |
| 15 | 103446601 | Obc, Prec, V4.0 | 1 |
| 16 | 103449601 | Bead, Ferrite, Fair-rite | 1 |
| 17 | 103498501 | Watershed, Controller, Angle | 1 |
| 18 | 103639401 | Component Mounting Plate, Cast | 1 |
| | | Note: Item 16 is for vehicles shipped to the European Union. | |

13

E

13

E



000486-003

COMPUTER, CONTROLLER, AND SOLENOID – EXCEL SYSTEM

| ITEM | PART NO. | DESCRIPTION | QTY |
|------|-----------|--|-----|
| | | 1 2 3 4 | |
| 1 | 1014947 | Resistor Assembly | 1 |
| 2 | 101908701 | Solenoid, 48-Volt (includes items 3 through 7) | 1 |
| 3 | 1012528 | Nut, M8-1.25 Hex | 2 |
| 4 | 1013734 | Lockwasher, 8mm Split | 2 |
| 5 | N/A | Solenoid, 48-Volt | 1 |
| 6 | N/A | Washer, Lock | 2 |
| 7 | N/A | Nut | 2 |
| 8 | 102240501 | Bolt, Controller, Terminal | 3 |
| 9 | 102296716 | Screw, M6 X 16 Tt Hx Fl Hd | 11 |
| 10 | 102298020 | Screw, K80x20, Torx Pn Hd Pt | 1 |
| 11 | 103367901 | Shield - Controller | 1 |
| 12 | 103375401 | Asm, Ev Battery Positive | 1 |
| 13 | 103403401 | Controller, Excel | 1 |
| 14 | 103446601 | Obc, Prec, V4.0 | 1 |
| 15 | 103498501 | Watershed, Controller, Angle | 1 |
| 16 | 103639401 | Component Mounting Plate, Cast | 1 |

13

E

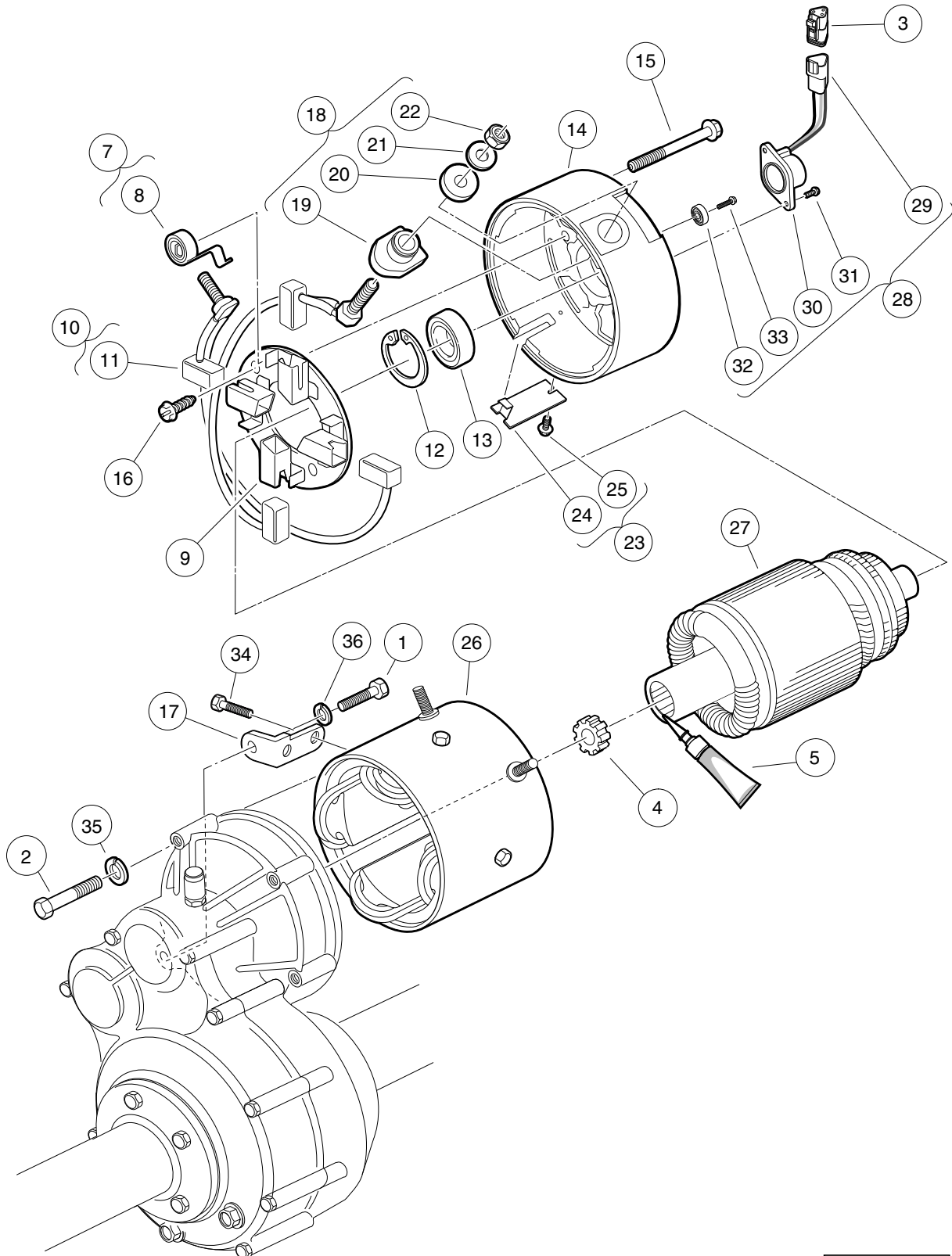
13

E

ELECTRIC MOTOR

14

E



000185-001

MOTOR (MODEL EJ4-4001) – ELECTRIC VEHICLE

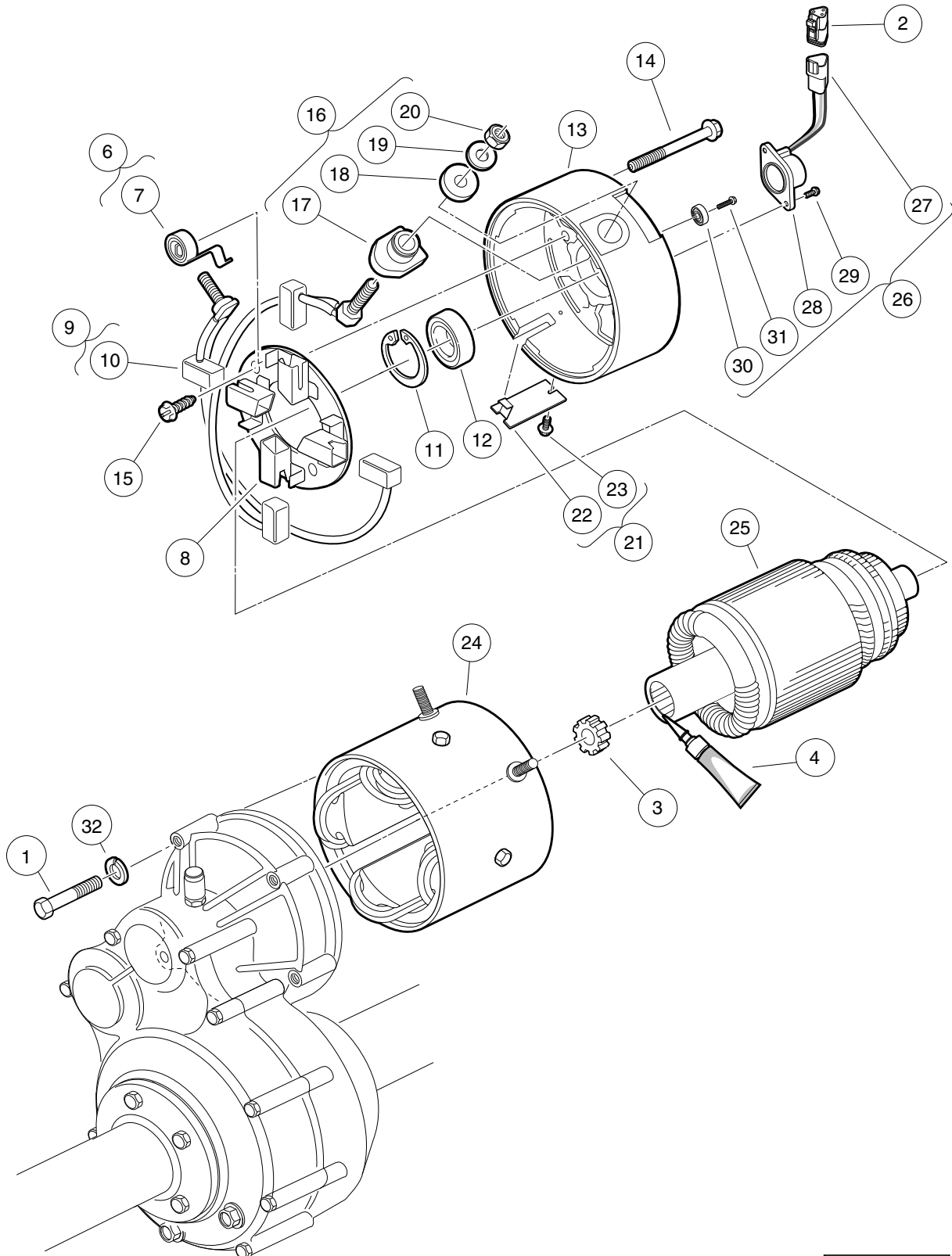
| ITEM | PART NO. | DESCRIPTION | QTY |
|------|-----------|--|-----|
| | | 1 2 3 4 | |
| 1 | 1010934 | Screw, 5/16-18 X 1.00 Hex Cap | 1 |
| 2 | 1014201 | Screw, 1/4-20 X 2.25 Hex Cap | 3 |
| 3 | 101920101 | Kit, 3-Pin Wedge Lock | 1 |
| 4 | 102235201 | Bumper, Drive Unit | 1 |
| 5 | 102243403 | Lubricant, Moly-Teflon (Single-Use Tube) | 1 |
| 6 | N/A | IQ Electric Motor, 48-VDC 3.3 hp * (includes items 7 through 34) | 1 |
| 7 | 102186001 | Spring Kit, Motor Brush (includes item 8) | 1 |
| 8 | N/A | Spring, Brush, S-g | 4 |
| 9 | 102186101 | Brush Box Assembly | 1 |
| 10 | 102186201 | Brush Kit, Motor (includes item 11) | 1 |
| 11 | N/A | Assembly, Brush and Terminal | 2 |
| 12 | 102186301 | Ring, 2.24" Internal Retaining | 1 |
| 13 | 102186401 | Bearing, Ball | 1 |
| 14 | 102186701 | End Cap, Motor | 1 |
| 15 | N/A | Screw, 1/4-20 X 2.25 Hex-Head Washer | 2 |
| 16 | 102186901 | Screw, #8-32 X .5 Hex-Head | 2 |
| 17 | 102187001 | L-Bracket, Motor | 1 |
| 18 | 102187101 | Hardware Kit, Motor Terminal (includes items 19 through 22) | 2 |
| 19 | N/A | Bushing, Nylon | 2 |
| 20 | N/A | Washer, Nylon Flat | 2 |
| 21 | N/A | Washer, Flat, 5/16 Steel | 2 |
| 22 | N/A | Nut, Brass Hex, 5/16 - 18 | 2 |
| 23 | N/A | Plate Kit, Motor Cover (includes items 24 and 25) | 1 |
| 24 | N/A | Assembly, Cover Plate | 1 |
| 25 | N/A | Screw, #8-32 x 0.375, Taptite Thread | 1 |
| 26 | 102704701 | Frame and Field Assembly | 1 |
| 27 | 102704801 | Armature Assembly | 1 |
| 28 | 102704901 | Kit, Speed Sensor (includes items 29 through 33) | 1 |
| 29 | 101942301 | Kit, 3-Pin Wedge Lock | 1 |
| 30 | N/A | Sensor, Motor Speed, ADC | 1 |
| 31 | N/A | Screw, #8-32, Taptite Thread | 2 |
| 32 | N/A | Magnet, ADC Motor | 1 |
| 33 | N/A | Screw, 1/4-20 x 0.5 | 1 |
| 34 | N/A | Bolt, 1/4 - 20 x 0.73 Thread-Forming | 2 |
| 35 | 451 | Lockwasher, 1/4 Split | 3 |
| 36 | 7174 | Lockwasher, 5/16 Split | 1 |
| | | * Note: The model EJ4-4001 motor has been discontinued. To replace the motor, use motor model EJ8-4001A. | |

14

E

14

E



000185-002

MOTOR (MODEL EJ8-4001A) – ELECTRIC VEHICLE

| ITEM | PART NO. | DESCRIPTION | QTY |
|------|-----------|--|-----|
| | | 1 2 3 4 | |
| 1 | 1014201 | Screw, 1/4-20 X 2.25 Hex Cap | 3 |
| 2 | 101920101 | Kit, 3-Pin Wedge Lock | 1 |
| 3 | 102235201 | Bumper, Drive Unit | 1 |
| 4 | 102243403 | Lubricant, Moly-Teflon (Single-Use Tube) | 1 |
| 5 | 103572501 | IQ Electric Motor, 48-VDC 3.3 hp (includes items 6 through 26) | 1 |
| 6 | 102186001 | Spring Kit, Motor Brush (includes item 7) | 1 |
| 7 | N/A | Spring, Brush, S-g | 4 |
| 8 | 102186101 | Brush Box Assembly | 1 |
| 9 | 102186201 | Brush Kit, Motor (includes item 10) | 1 |
| 10 | N/A | Assembly, Brush and Terminal | 2 |
| 11 | 102186301 | Ring, 2.24" Internal Retaining | 1 |
| 12 | 102186401 | Bearing, Ball | 1 |
| 13 | 102186701 | End Cap, Motor | 1 |
| 14 | N/A | Screw, 1/4-20 X 2.25 Hex-Head Washer | 2 |
| 15 | 102186901 | Screw, #8-32 X .5 Hex-Head | 2 |
| 16 | 102187101 | Hardware Kit, Motor Terminal (includes items 17 through 20) | 2 |
| 17 | N/A | Bushing, Nylon | 2 |
| 18 | N/A | Washer, Nylon Flat | 2 |
| 19 | N/A | Washer, Flat, 5/16 Steel | 2 |
| 20 | N/A | Nut, Brass Hex, 5/16 - 18 | 2 |
| 21 | N/A | Plate Kit, Motor Cover (includes items 22 and 23) | 1 |
| 22 | N/A | Assembly, Cover Plate | 1 |
| 23 | N/A | Screw, #8-32 x 0.375, Taptite Thread | 1 |
| 24 | 102704701 | Frame and Field Assembly | 1 |
| 25 | 102704801 | Armature Assembly | 1 |
| 26 | 102704901 | Kit, Speed Sensor (includes items 27 through 31) | 1 |
| 27 | 101942301 | Kit, 3-Pin Wedge Lock | 1 |
| 28 | N/A | Sensor, Motor Speed, ADC | 1 |
| 29 | N/A | Screw, #8-32, Taptite Thread | 2 |
| 30 | N/A | Magnet, ADC Motor | 1 |
| 31 | N/A | Screw, 1/4-20 x 0.5 | 1 |
| 32 | 451 | Lockwasher, 1/4 Split | 3 |

14

E

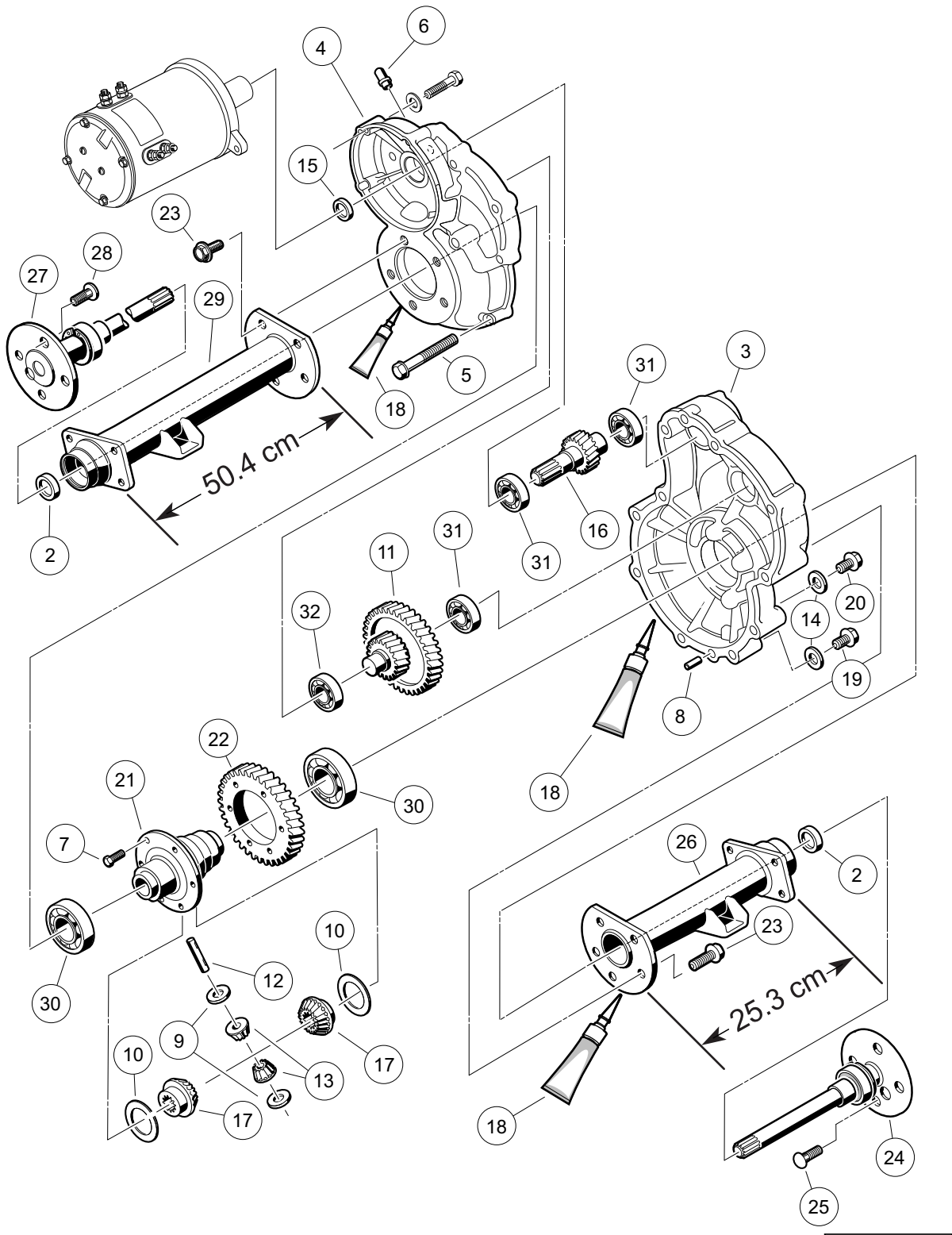
14

E

TRANSAXLE – ELECTRIC VEHICLES

15

E



000223-002

TRANSAXLE – ELECTRIC VEHICLES

| ITEM | PART NO. | DESCRIPTION | QTY |
|------|-----------|---|-----|
| | | 1 2 3 4 | |
| 1 | 102771701 | Transaxle, Electric (includes items 2 through 32) | 1 |
| 2 | 1013794 | Axle Shaft Oil Seal | 2 |
| 3 | 101895401 | Gear Case, Left-Hand | 1 |
| 4 | 101895501 | Gear Case, Passenger-Side | 1 |
| 5 | 101897001 | Screw, M8-1.25 X 60mm Hex-Head | 11 |
| 6 | 101897201 | Breather | 1 |
| 7 | 101897401 | Screw, M10-1.25 X 25mm | 6 |
| 8 | 101897601 | Pin, 11mm OD X 8.5mm ID X 10mm | 2 |
| 9 | 101903601 | Washer, Thrust | 2 |
| 10 | 101903701 | Washer, Thrust | 2 |
| 11 | 101906901 | Intermediate Shaft Assembly | 1 |
| 12 | 101922101 | Pin, 15.99mm X 88.7mm Dowel | 1 |
| 13 | 101923001 | Gear, Differential Idler | 2 |
| 14 | 101923201 | Gasket | 2 |
| 15 | 101923501 | Seal, Lip | 1 |
| 16 | 101923701 | Shaft, Input | 1 |
| 17 | 101923901 | Gear, Differential | 2 |
| 18 | 101928701 | Liquid Gasket (Transaxle case) | A/R |
| 19 | 101972101 | Plug, M14-1.5 X 12mm Magnetic | 1 |
| 20 | 101972201 | Plug, M14-1.5 X 12mm Hex | 1 |
| 21 | 102356601 | Housing, Differential, 6 Bolt | 1 |
| 22 | 102356801 | Gear, Differential Output, 6-Bolt | 1 |
| 23 | 102357001 | Screw, Flg Hd M10 X 1.5 X 30 | 10 |
| 24 | 102886301 | Axle Assembly, Driver-Side (includes item 25) | 1 |
| 25 | 101922201 | Lug Stud | 4 |
| 26 | 102886401 | Tube, Axle, Driver-Side | 1 |
| 27 | 102886501 | Axle Assembly, Passenger-Side (includes item 28) | 1 |
| 28 | 101922201 | Lug Stud | 4 |
| 29 | 102886601 | Tube, Axle, Passenger-Side | 1 |
| 30 | 7330 | Inner Axle Tube Bearing | 2 |
| 31 | 7335 | Bearing | 3 |
| 32 | 7336 | Bearing | 1 |

15

E

15

E

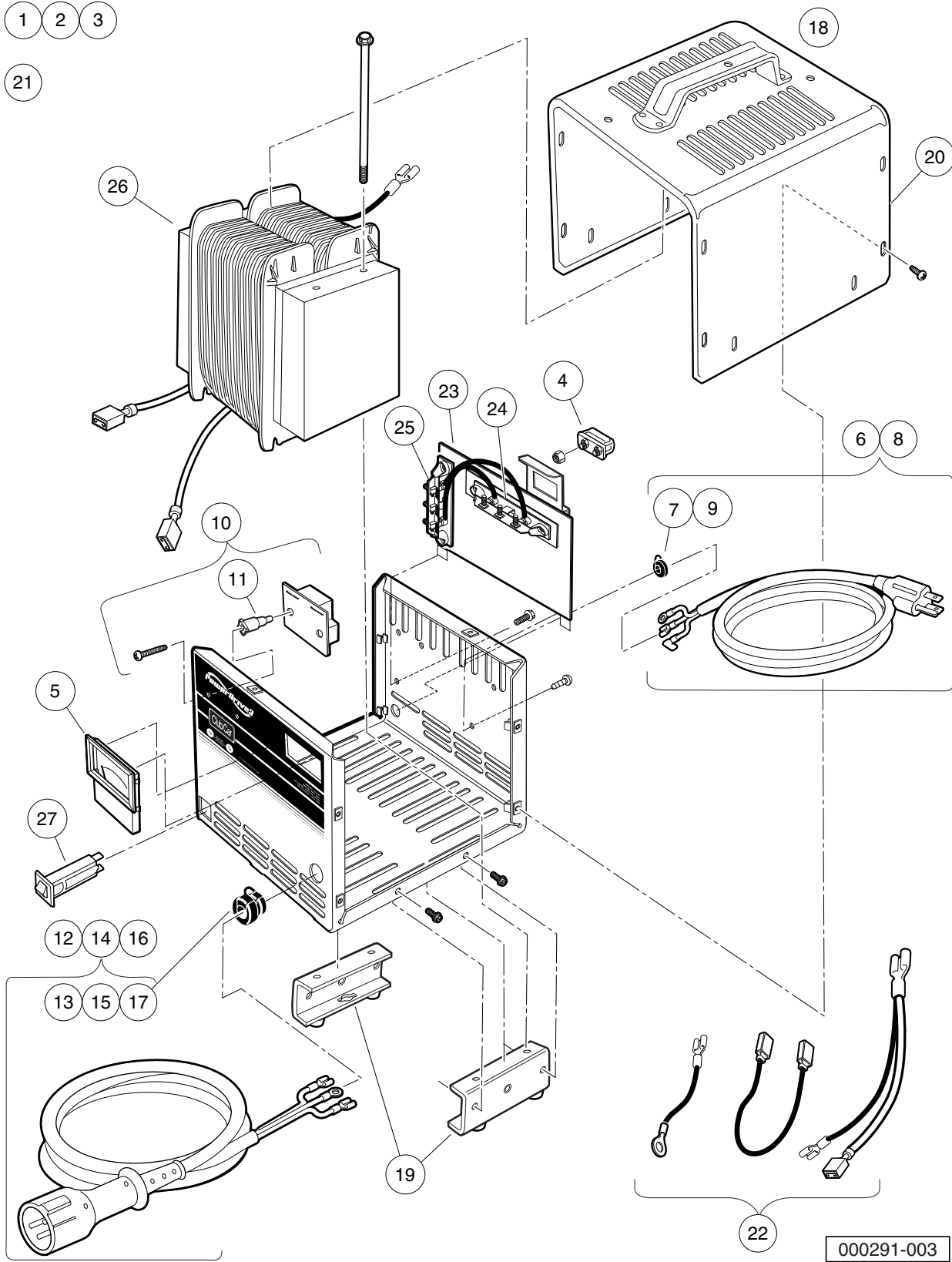
BATTERY CHARGER

16

E

1 2 3

21



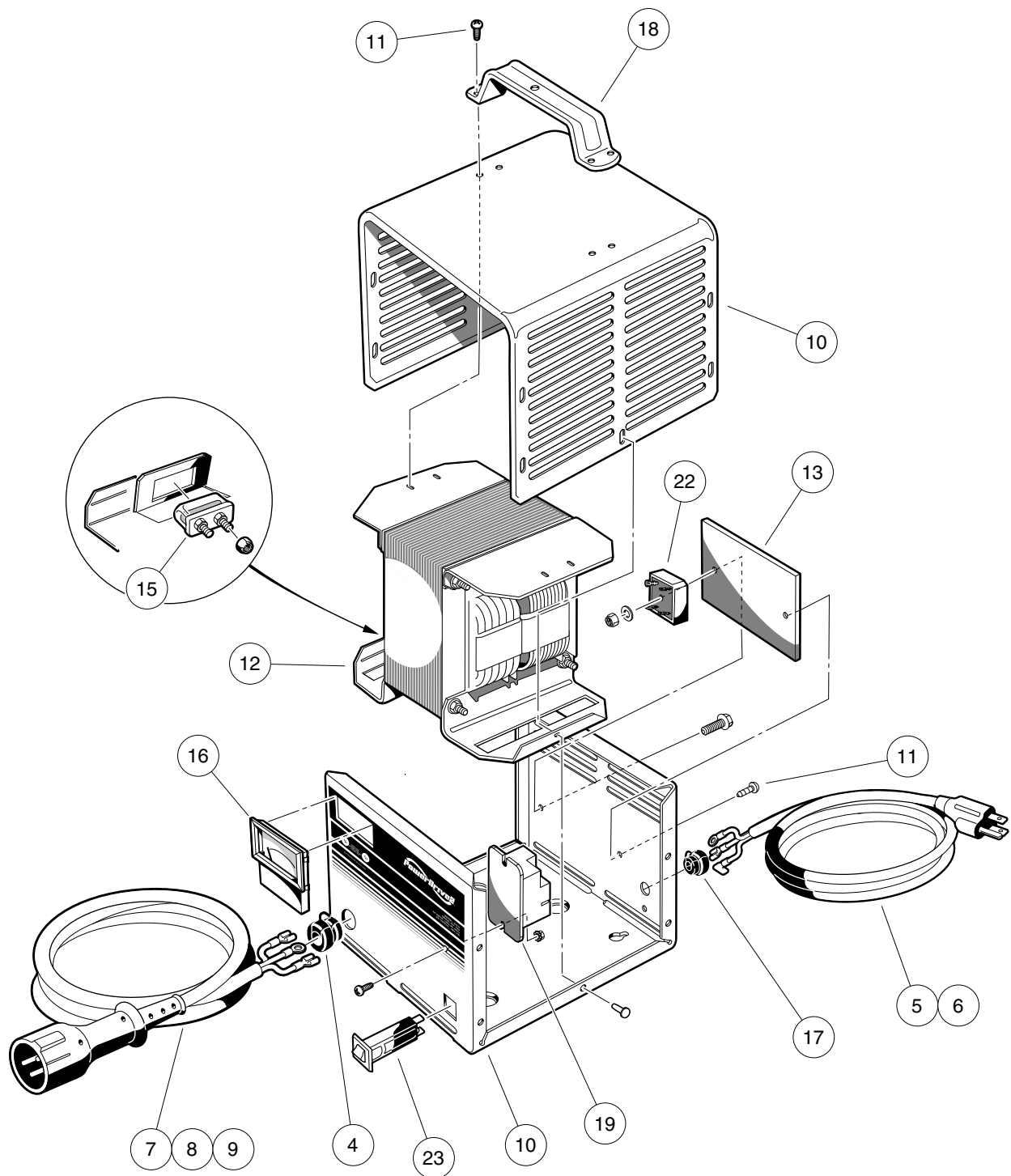
000291-003

POWERDRIVE 3 BATTERY CHARGER, DOMESTIC

| ITEM | PART NO. | DESCRIPTION | QTY |
|------|-----------|---|-----|
| | | 1 2 3 4 | |
| 1 | 103717001 | Chgr, Pd3 Stnry, 9Dc6'Ac' | 1 |
| 2 | 103717002 | Chgr, Pd3 Stnry, 12Dc9'Ac' | 1 |
| 3 | 103717003 | Chgr, Pd3 Stnry, 20Dc9'Ac'(includes items 4 through 27) | 1 |
| 4 | 102273701 | PD2 Fuse Asm | 1 |
| 5 | 102273801 | PD2 Ammeter | 1 |
| 6 | 103428501 | Kit, PD3 Cordset - AC 80" (includes item 7) | 1 |
| 7 | 102273901 | PD2 AC Cord Bushing | 1 |
| 8 | 103428601 | Kit, PD3 Cordset, - AC 114" (includes item 9) | 1 |
| 9 | 102273901 | PD2 AC Cord Bushing | 1 |
| 10 | 103428701 | Asm, PD3 Board Relay (includes item 11) | 1 |
| 11 | 103429701 | PD3 Plastic Stand-Offs | 2 |
| 12 | 103429001 | PD3 Cordset - DC 113" (includes item 13) | 1 |
| 13 | 1012098 | Bushing, DC Cord | 1 |
| 14 | 103429101 | PD3 Cordset - DC 154" (includes item 15) | 1 |
| 15 | 1012098 | Bushing, DC Cord | 1 |
| 16 | 103429201 | PD3 Cordset - DC 205" (includes item 17) | 1 |
| 17 | 1012098 | Bushing, DC Cord | 1 |
| 18 | 103429301 | Asm, PD3 Case (includes items 19 and 20) | 1 |
| 19 | 103434001 | Asm, PD3 Legs | 1 |
| 20 | 103439901 | PD3Case Top (Includes Handle) | 1 |
| 21 | 103429501 | Kit, PD3 Hardware | 1 |
| 22 | 103429601 | Kit, PD3 Wires | 1 |
| 23 | 103517401 | Kit Pd3 Button Diode (includes items 24 and 25) | 1 |
| 24 | N/A | Asm Diode Top | 1 |
| 25 | N/A | Asm Diode Side | 1 |
| 26 | 103779601 | Transformer, Pd3, Al | 1 |
| 27 | CCX8506 | Circuit Breaker, 15-Amp/120-Volt | 1 |

16

E



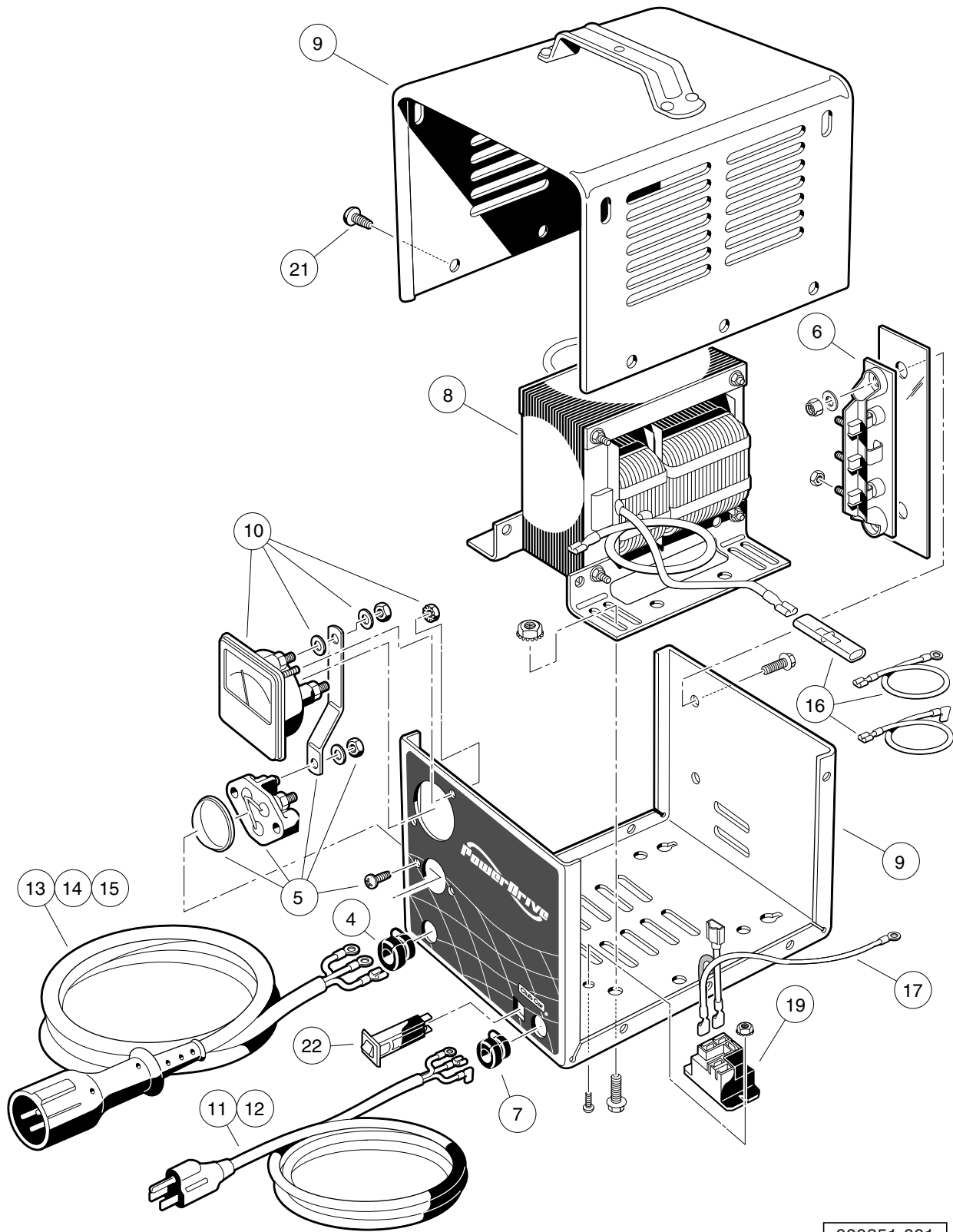
000291-001

POWERDRIVE 2 BATTERY CHARGER (MODEL 22110), DOMESTIC

| ITEM | PART NO. | DESCRIPTION | QTY |
|---|-----------|--|-----|
| | | 1 2 3 4 | |
| 1 | N/A | 48-V/13-A PowerDrive 2 (9-ft. DC, 6-ft. AC) | 1 |
| 2 | N/A | 48-V/13-A PowerDrive 2 (12-ft. DC, 9-ft. AC) | 1 |
| 3 | N/A | 48-V/13-A PowerDrive 2 (20-ft. DC, 9-ft. AC) (includes items 4 through 23) | 1 |
| 4 | 1012098 | Bushing, DC Cord | 1 |
| 5 | 101828801 | Cord, AC, 80-Inch (203 cm) | 1 |
| 6 | 101828802 | Cord, AC, 108-Inch (274 cm) | 1 |
| 7 | 101828904 | PD2 DC Cordset, 113-inch | 1 |
| 8 | 101828905 | PD2 DC Cordset, 154-inch | 1 |
| 9 | 101828906 | Pd2 Dc Cordset 250 Inch | 1 |
| 10 | 102273201 | PD2 Case (includes item 11) | 1 |
| 11 | 7577 | Screw, #10 X 0.50 Phillips Pan-Head | 12 |
| 12 | 102273301 | PD2 Transformer Asm | 1 |
| 13 | 102273401 | PD2 Heatsink | 1 |
| 14 | 102273601 | PD2 Wire Asm | 1 |
| 15 | 102273701 | PD2 Fuse Asm | 1 |
| 16 | 102273801 | PD2 Ammeter | 1 |
| 17 | 102273901 | PD2 AC Cord Bushing | 1 |
| 18 | 102274001 | PD2 Handle | 1 |
| 19 | 103414901 | Kit, Relay, 48v 30a W/instr (includes items 20 and 21) | 1 |
| 20 | 103397901 | Relay, Spst No, 48v 30a, Pmt | 1 |
| 21 | N/A | Kit, Relay, 48v 30a Instrns | 1 |
| 22 | 103517601 | Pd2 Rectifier Kit | 1 |
| 23 | CCX8506 | Circuit Breaker, 15-Amp/120-Volt | 1 |
| <p>Note: Item 16 not shown. Level 1 Battery Charger part numbers include one AC and one DC cord. They do not include all of the level 2 cords listed.</p> | | | |

16

E



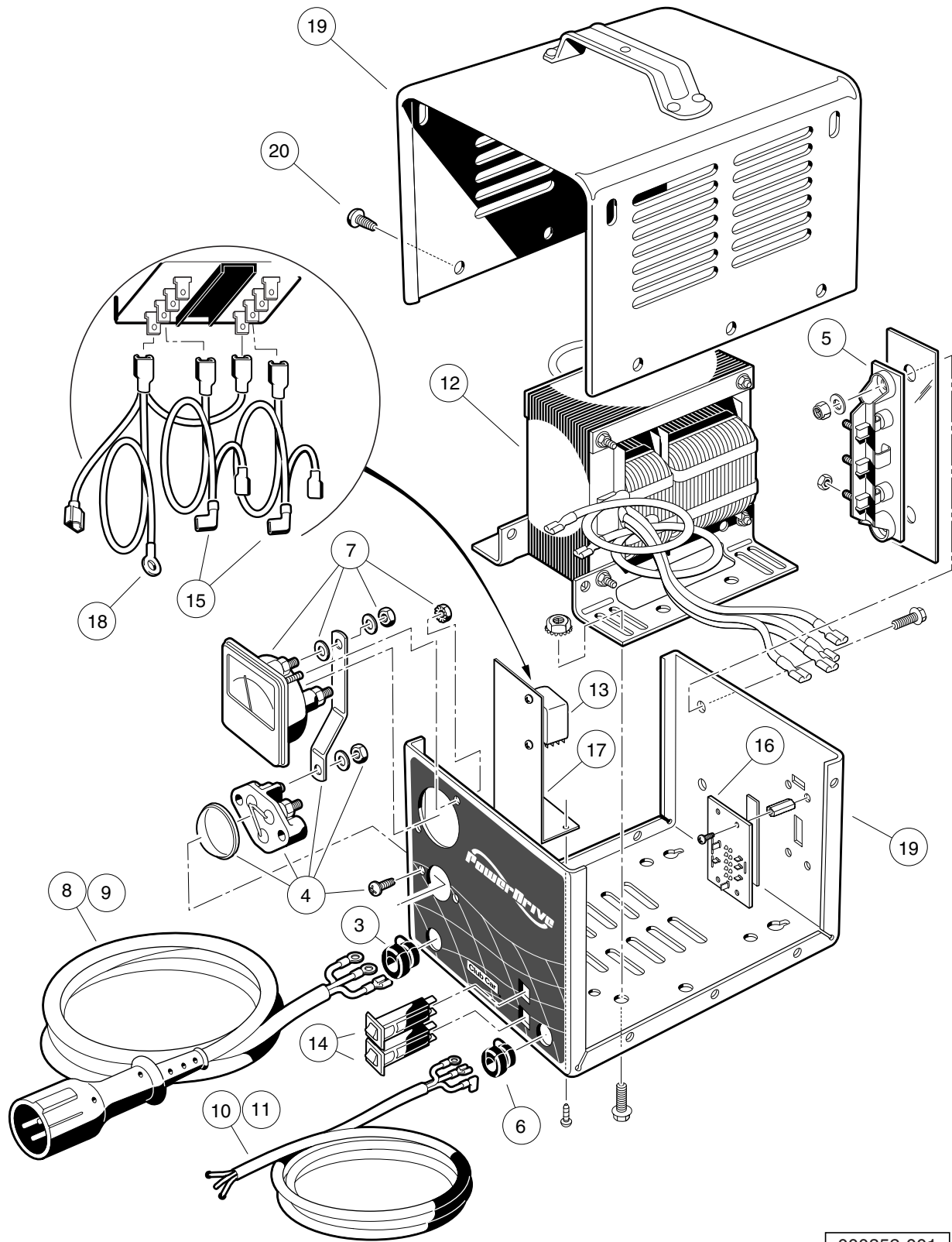
000351-001

POWERDRIVE BATTERY CHARGER (MODEL 17930), DOMESTIC

| ITEM | PART NO. | DESCRIPTION | QTY |
|------|-----------|--|-----|
| | | 1 2 3 4 | |
| 1 | 101802201 | 48V/17A PowerDrive (9-ft DC, 6-ft AC Cord) | 1 |
| 2 | 101802202 | 48V/17A PowerDrive (12-ft DC, 9-ft AC Cord) | 1 |
| 3 | 101802203 | 48V/17A PowerDrive (20-ft DC, 9-ft AC Cord) (includes items 4 through 22) | 1 |
| 4 | 1012098 | Bushing, DC Cord | 1 |
| 5 | 1012101 | Fuse Assembly | 1 |
| 6 | 1015914 | Rectifier with Heatsink Assembly | 1 |
| 7 | 1015917 | Bushing, AC Cord | 1 |
| 8 | **** | Transformer, Battery Charger | 1 |
| 9 | 101828301 | Case Assembly | 1 |
| 10 | 101828501 | Ammeter | 1 |
| 11 | 101828801 | Cord, AC, 80-Inch (203 cm) | 1 |
| 12 | 101828802 | Cord, AC, 108-Inch (274 cm) | 1 |
| 13 | 101828901 | Cord, DC, 113-Inch (287 cm) | 1 |
| 14 | 101828902 | Cord, DC, 154-Inch (391 cm) | 1 |
| 15 | 101828903 | Cord, DC, 250-Inch (635 cm) | 1 |
| 16 | 101831101 | Wire Assembly Kit | 1 |
| 17 | 101914401 | Assembly, Voltage Suppressor | 1 |
| 18 | 103414901 | Kit, Relay, 48v 30a W/instr (includes items 19 and 20) | 1 |
| 19 | 103397901 | Relay, Spst No, 48v 30a, Pmt | 1 |
| 20 | N/A | Kit, Relay, 48v 30a Instrns | 1 |
| 21 | 7577 | Screw, #10 X 0.50 Phillips Pan-Head | 10 |
| 22 | CCX8506 | Circuit Breaker, 15-Amp/120-Volt | 1 |
| | | **** Special order item available upon request. | |
| | | Note: Level 1 Battery Charger part numbers include one AC and one DC cord. They do not include all of the level 2 cords listed. | |

16

E



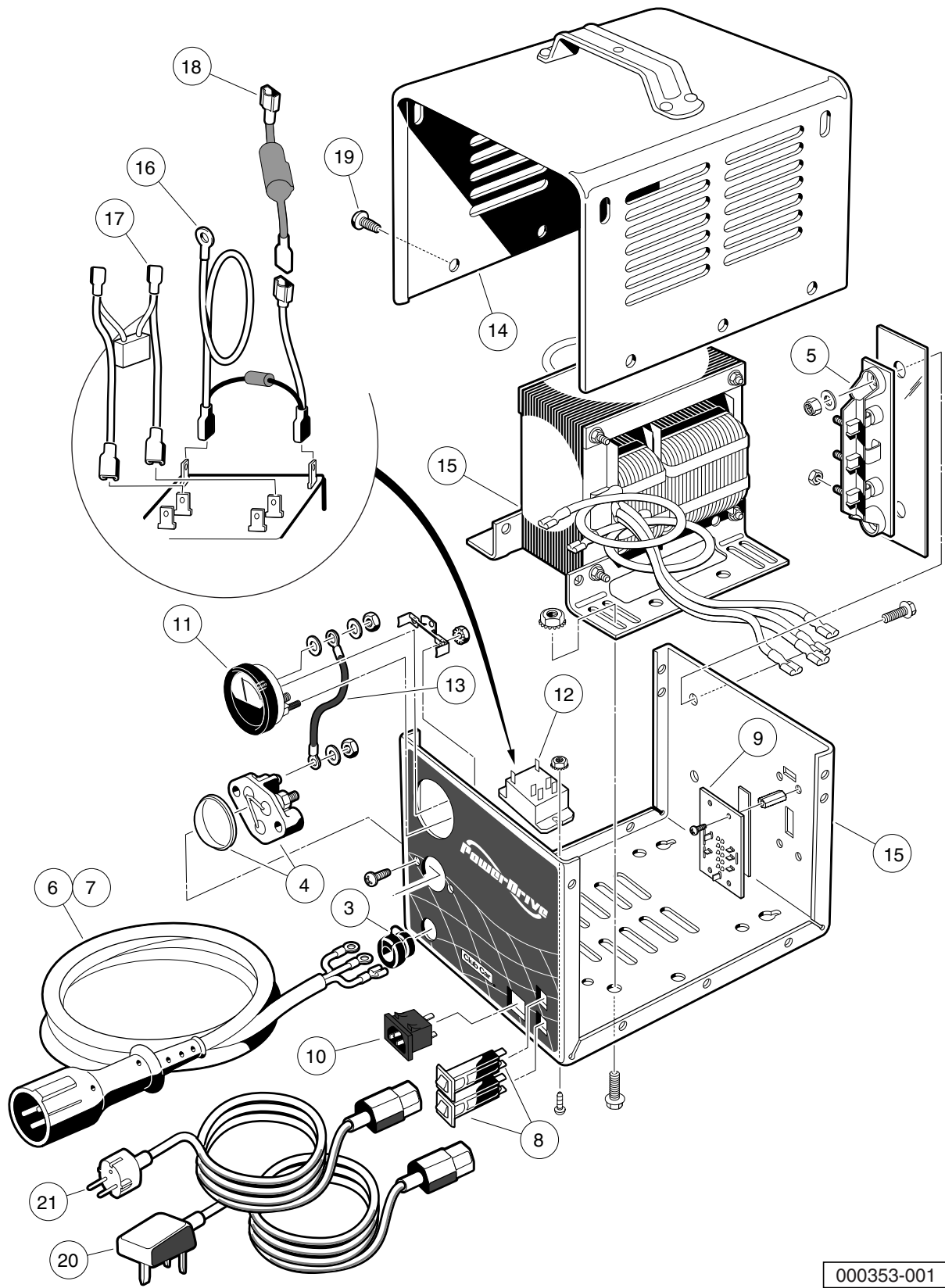
000352-001

POWERDRIVE BATTERY CHARGER (MODEL 18780), EXPORT

| ITEM | PART NO. | DESCRIPTION | QTY |
|---|-----------|---|-----|
| | | 1 2 3 4 | |
| 1 | 101831503 | Battery Charger, 48-Volt DC (8.5-ft DC, 6-ft AC) | 1 |
| 2 | 101831504 | Battery Charger, 48-Volt DC (12-ft DC, 9-ft AC) (includes items 3 through 20) | 1 |
| 3 | 1012098 | Bushing, DC Cord | 1 |
| 4 | 1012101 | Fuse Assembly | 1 |
| 5 | 1015914 | Rectifier with Heatsink Assembly | 1 |
| 6 | 1015917 | Bushing, AC Cord | 1 |
| 7 | 101828501 | Ammeter | 1 |
| 8 | 101828901 | Cord, DC, 113-Inch (287 cm) | 1 |
| 9 | 101828902 | Cord, DC, 154-Inch (391 cm) | 1 |
| 10 | 101831701 | Cord, AC, 80-Inch (203 cm), without Plug | 1 |
| 11 | **** | Cord, AC, 118-Inch (203 cm), without Plug | 1 |
| 12 | 101838201 | Transformer, Export Battery Charger | 1 |
| 13 | 101838301 | Relay, Export Charger | 1 |
| 14 | 101838401 | Circuit Breaker | 2 |
| 15 | 101838501 | Kit, Wire Assembly | 1 |
| 16 | 101838601 | Four-Position Switch | 1 |
| 17 | **** | Mounting Bracket, Relay | 1 |
| 18 | 101914401 | Assembly, Voltage Suppressor | 1 |
| 19 | N/A | Case, Charger | 1 |
| 20 | 7577 | Screw, #10 X 0.50 Phillips Pan-Head | 10 |
| <p>**** Special order item available upon request.</p> <p>Note: Level 1 Battery Charger part numbers include one AC and one DC cord. They do not include all of the level 2 cords listed.</p> | | | |

16

E



000353-001

POWERDRIVE BATTERY CHARGER (MODEL 20310), EUROPEAN

16

E

| ITEM | PART NO. | DESCRIPTION | QTY |
|------|-----------|--|-----|
| | | 1 2 3 4 | |
| 1 | 101956201 | Battery Charger, 48-Volt w/ 4-Position Switch (8.5-ft DC) | 1 |
| 2 | 101956202 | Battery Charger, 48-Volt w/ 4-Pos. Switch (12-ft DC) (includes items 3 through 19) | 1 |
| 3 | 1012098 | Bushing, DC Cord | 1 |
| 4 | 1012101 | Fuse Assembly | 1 |
| 5 | 1015914 | Rectifier with Heatsink Assembly | 1 |
| 6 | 101828901 | Cord, DC, 113-Inch (287 cm) | 1 |
| 7 | 101828902 | Cord, DC, 154-Inch (391 cm) | 1 |
| 8 | 101838401 | Circuit Breaker | 2 |
| 9 | 101838601 | Four-Position Switch | 1 |
| 10 | 101973501 | Receptacle, AC Cord | 1 |
| 11 | 101976601 | Ammeter with Mounting Bracket | 1 |
| 12 | 101987501 | Relay | 1 |
| 13 | N/A | Wire, Jumper | 1 |
| 14 | N/A | Case, Charger | 1 |
| 15 | **** | Transformer, European Battery Charger | 1 |
| 16 | **** | Suppressor, AC Voltage | 1 |
| 17 | **** | Assembly, Wire | 1 |
| 18 | **** | Limiter, Current | 1 |
| 19 | 7577 | Screw, #10 X 0.50 Phillips Pan-Head | 10 |
| 20 | 101958201 | Cord, UK, AC, Battery Charger | 1 |
| 21 | 101958301 | Cord, European AC, Battery Charger | 1 |
| | | **** Special order item available upon request. | |
| | | Note: Level 1 Battery Charger part numbers include one AC and one DC cord. They do not include all of the level 2 cords listed. | |

16

E

MAINTENANCE AND SERVICE TOOLS

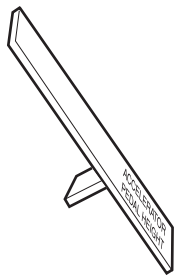
17

G

E

D

17
G
E
D



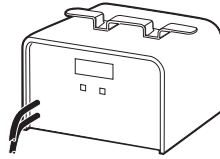
1



2



3



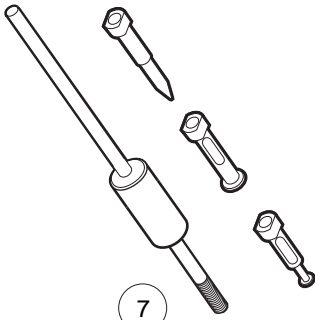
4



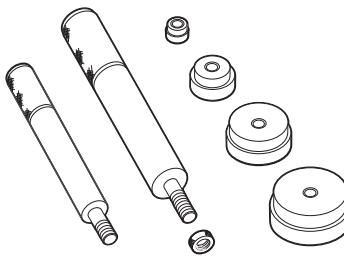
5



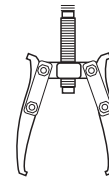
6



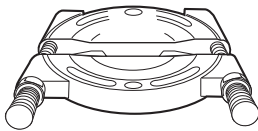
7



8



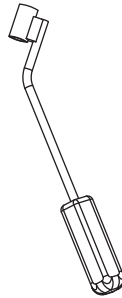
9



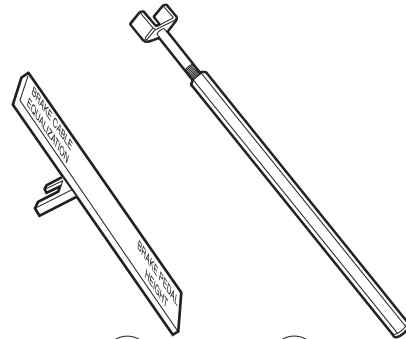
10



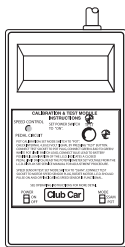
11



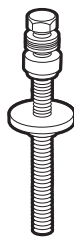
12



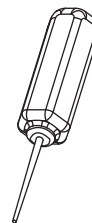
14 15
13



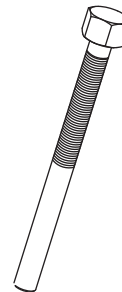
16



17



18



19

MAINTENANCE AND SERVICE TOOLS

| ITEM | PART NO. | DESCRIPTION | QTY DIESEL | QTY GAS | QTY ELEC |
|------|-----------|---|---------------|------------|-------------|
| | | <p style="text-align: center;">1 2 3 4</p> <p>The following tool list includes all tools available from Club Car for maintenance and service procedures for gasoline, electric, and/or diesel vehicles, both past and present models. Be sure to carefully examine the tool list for applicability to your vehicle before ordering.</p> | | | |
| 1 | 101871001 | Accelerator Pedal Adjustment Tool | | 1 | 1 |
| 2 | 101813202 | Adhesive, Guide Ring, 3-Gram Tube | | | 1 |
| 3 | 101641202 | Arbor | | 1 | |
| 4 | 101831901 | Battery Discharge Machine, 36/48 Volt | | | 1 |
| 5 | 1014305 | Battery Terminal Protector Spray | 1 | 1 | 1 |
| 6 | 1011767 | Battery Thermometer | 1 | 1 | 1 |
| 7 | 1016417 | Bearing and Oil Seal Remover Assembly | 1 | 1 | 1 |
| 8 | 1016416 | Bearing Driver Set | 1 | 1 | 1 |
| 9 | 1012811 | Bearing Puller | 1 | 1 | 1 |
| 10 | 1012812 | Bearing Puller Wedge Attachment | 1 | 1 | 1 |
| 11 | 1013582 | Brake Adjustment Tool (used only on vehicles with manually adjusted mechanical brakes) | | 1 | 1 |
| 12 | 102555501 | Brake Cable Release Tool | 1 | 1 | 1 |
| 13 | 102249901 | Brake Pedal Adjustment Tool Kit (used for the Carryall Electric Industrial Truck only) (includes items 14 and 15)..... | | | 1 |
| 14 | **** | Brake Pedal Adjustment Tool | | | 1 |
| 15 | **** | Brake Pedal Tension Tool | | | 1 |
| 16 | 101887101 | Calibration Test Module | | | 1 |
| 17 | 101808401 | Cam Installation Tool | | 1 | |
| 18 | 102562401 | Charger Bezel Tool | | | 1 |
| 19 | 102686101 | Clutch Removal Tool (for 4x4 vehicles) | 1 | 1 | |
| | | <p>Please refer to the maintenance and service manual for proper tool application.</p> <p>**** Special order item available upon request</p> | | | |

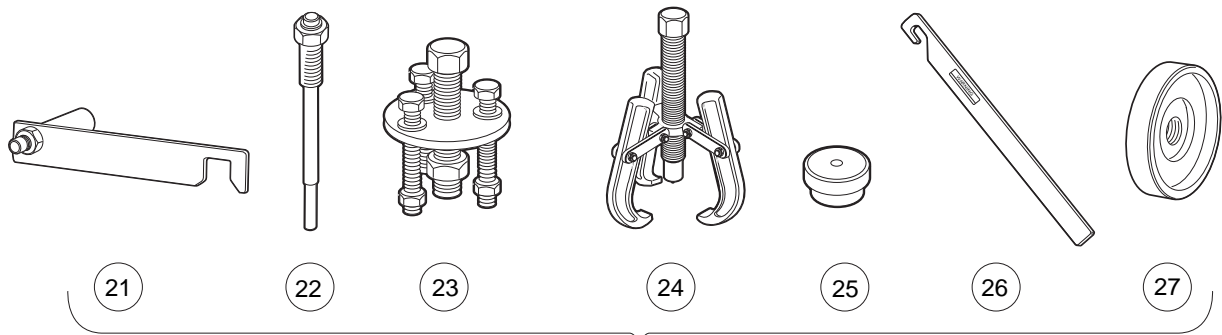
17

G

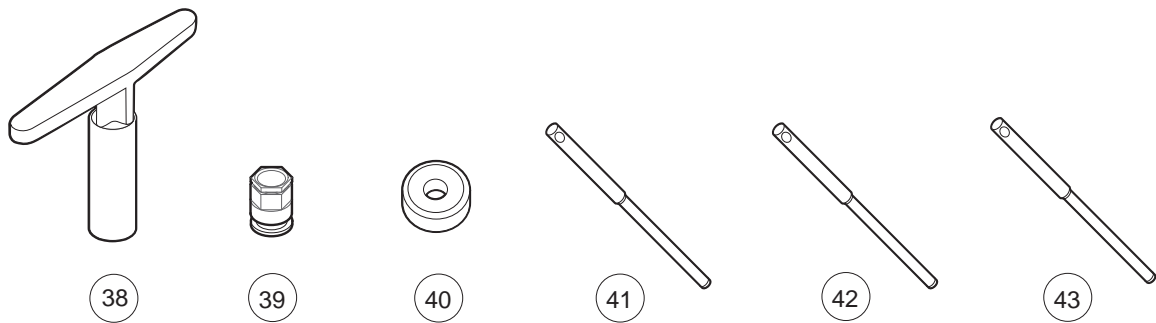
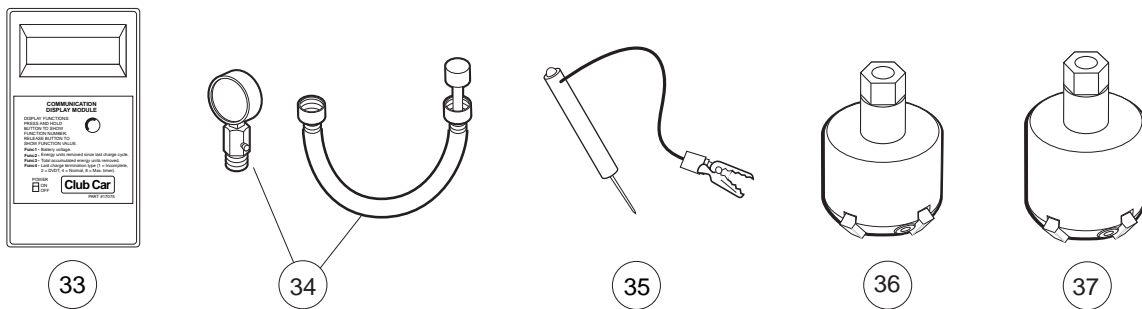
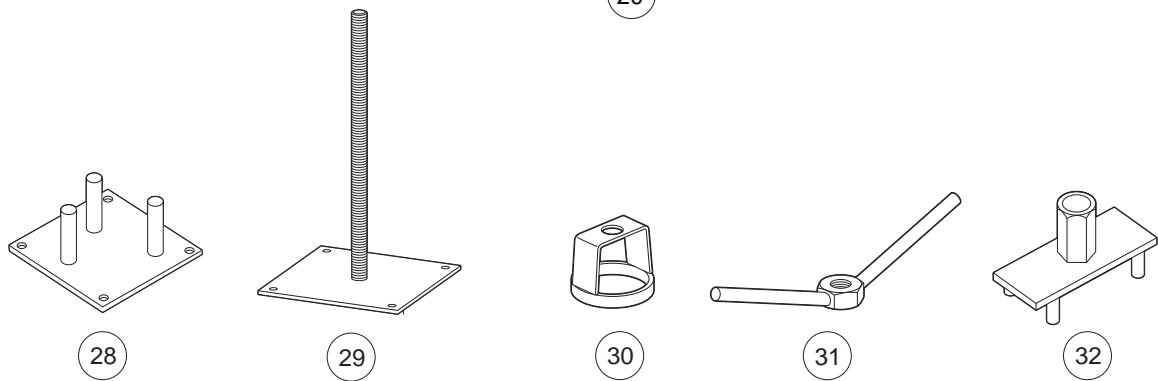
E

D

17
G
E
D



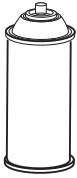
20



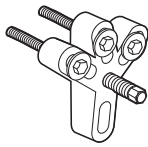
MAINTENANCE AND SERVICE TOOLS, CONTINUED

| ITEM | PART NO. | DESCRIPTION | QTY | QTY | QTY | 17 |
|------|-----------|--|--------|-----|------|----|
| | | | DIESEL | GAS | ELEC | |
| | | 1 2 3 4 | | | | G |
| 20 | 1014510 | Clutch Tool Kit (includes items 21 - 27) | | 1 | | E |
| 21 | 1014498 | Clutch Alignment Tool (for pre-unitized transaxle vehicles built prior to 1997 model year) | | 1 | | D |
| 22 | 1014496 | Drive Clutch Puller (for Kawasaki engines only) | | 1 | | |
| 23 | 1014497 | Drive Clutch Hub Puller (for Kawasaki engines only) | | 1 | | |
| 24 | 1014508 | Driven Clutch Cam Puller (for Kawasaki engines only) | | 1 | | |
| 25 | 1014507 | Driven Clutch Puller Plug (for Kawasaki engines only) | | 1 | | |
| 26 | 1015524 | Drive Clutch Holder Tool Assembly (for Kawasaki engines only) | | 1 | | |
| 27 | 101809101 | Press Weldment (for Kawasaki engines only) | | 1 | | |
| 28 | 102601501 | Drive ClutchFixed Sheave Tool (for 4x4 vehicles) | 1 | 1 | | |
| 29 | 102603501 | Driven Clutch Spring Compression Base (for use with items 30 and 31) (for 4x4 vehicles) | 1 | 1 | | |
| 30 | 102605201 | Driven Clutch Spring Compression Collar (for use with items 29 and 31) (for 4x4 vehicles) | 1 | 1 | | |
| 31 | 102606101 | Driven Clutch Spring Compression Nut (for use with items 29 and 30) (for 4x4 vehicles) | 1 | 1 | | |
| 32 | 102607501 | Drive Clutch Spider Removal Tool (for 4x4 vehicles) | 1 | 1 | | |
| 33 | 101831801 | Communication Display Module | | | 1 | |
| 34 | 101641002 | Compression Gauge and Adapter | | 1 | | |
| 35 | 1011273 | Continuity Tester | | 1 | 1 | |
| 36 | 102773801 | Cutter, Valve Seat, #122 | | 1 | | |
| 37 | 102773901 | Cutter, Valve Seat #115 | | 1 | | |
| 38 | 102774101 | Wrench, T, #505..... | | 1 | | |
| 39 | 102774101 | Adapter, T-Wrench..... | | 1 | | |
| 40 | 102675401 | Cutter, Valve Seat, 60 Degree (requires item 51) (for Honda GX620 Gasoline Engines) | | 1 | | |
| 41 | 102774201 | Pilot, 6.6 MM | | 1 | | |
| 42 | 102774301 | Pilot, 6.62 MM..... | | 1 | | |
| 43 | 102774401 | Pilot, 6.65 MM..... | | 1 | | |
| | | Please refer to the maintenance and service manual for proper tool application. | | | | |

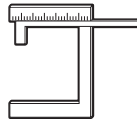
17
G
E
D



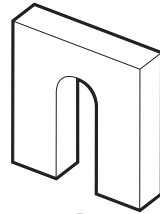
44



45



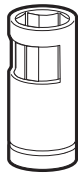
46



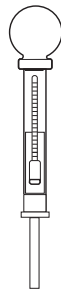
47



48



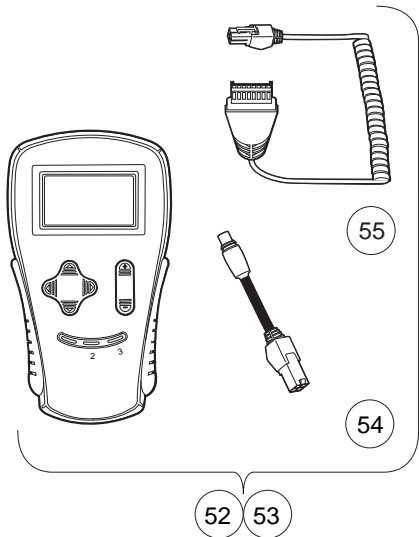
49



50



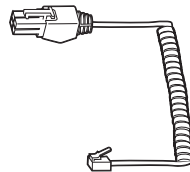
51



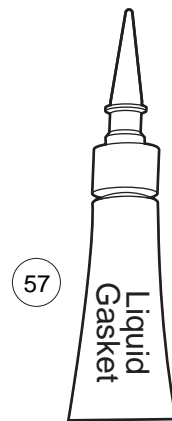
52 53

55

54



56



57



58



59 60



61

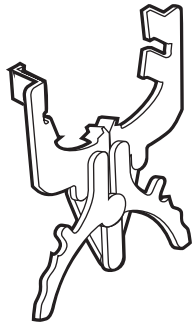
MAINTENANCE AND SERVICE TOOLS, CONTINUED

| ITEM | PART NO. | DESCRIPTION | QTY DIESEL | QTY GAS | QTY ELEC | 17 |
|------|-----------|--|---------------|------------|-------------|-----------|
| | | 1 2 3 4 | | | | G |
| 44 | 1012151 | Dry Moly Lubricant | 1 | 1 | 1 | E |
| 45 | 1016627 | Flywheel Puller Kit (for Kawasaki Engines) | | 1 | | D |
| 46 | 102669901 | Gauge, Carburetor Float Level (for Honda GX620 Gasoline Engines) | | 1 | | |
| 47 | 1016418 | Gear Yoke | 1 | 1 | 1 | |
| 48 | 101933101 | Governor Shaft Installation Tool (for Kawasaki Engine Vehicles) | | 1 | | |
| 49 | 102169401 | Hydraulic Brake Adjuster (for Turf/CA 272/472, Pioneer/XRT 1200, Bobcat 2100, HUV 4213) | | | 1 | |
| 50 | 1011478 | Hydrometer | 1 | 1 | 1 | |
| 51 | 1013593 | Internal Retaining Ring Pliers | 1 | 1 | 1 | |
| 52 | 102248803 | IQ Display Module (IQDM) Kit (IQ System and IQ Plus vehicles) | | | 1 | |
| | | (includes items 54 and 55) | | | | |
| 53 | 102248804 | IQ Display Module (IQDM-P) Kit (IQ System and IQ Plus vehicles) | | | 1 | |
| | | (includes items 54 and 55) | | | | |
| 54 | 102251501 | Adaptor, Cable | | | 1 | |
| 55 | 102241502 | IQDM Series 2 Cable | | | 1 | |
| 56 | 102241501 | IQDM Series 1 Cable (replacement) | | | 1 | |
| 57 | 101928701 | Liquid Gasket (transaxle case) | 1 | 1 | 1 | |
| 58 | 102243402 | Moly-Teflon Lubricant (4-oz. (113-gram) tube) | | | 1 | |
| 59 | 101997201 | Paint, Touch-Up – Beige* | | 1 | 1 | |
| 59 | 101997207 | Paint, Touch-Up – Black* | | 1 | 1 | |
| 59 | 101997212 | Paint, Touch-Up – Burgundy* | | 1 | 1 | |
| 59 | 101997211 | Paint, Touch-Up – Classic Blue (Navy)* | | 1 | 1 | |
| 59 | 101997205 | Paint, Touch-Up – Dark Gray* | 1 | 1 | 1 | |
| 59 | 101997209 | Paint, Touch-Up – Dark Green* | 1 | 1 | 1 | |
| 59 | 101997204 | Paint, Touch-Up – Gray* | 1 | 1 | 1 | |
| 59 | 101997203 | Paint, Touch-Up – Red* | 1 | 1 | 1 | |
| 59 | 101997206 | Paint, Touch-Up – Royal Blue (Pacific Blue)* | | 1 | 1 | |
| 59 | 101997202 | Paint, Touch-Up – White* | 1 | 1 | 1 | |
| 60 | 102562301 | Paint, Precedent Underbody – Gray | | 1 | 1 | |
| 61 | 102587201 | Paint Pen, Touch-Up, Precedent Underbody – Black | | 1 | 1 | |
| | | Please refer to the maintenance and service manual for proper tool application. | | | | |
| | | * Item 59 is not for use on Surlyn [®] body material, which is used on Precedent vehicles. | | | | |

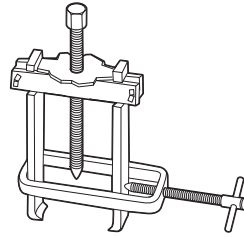
17
G
E
D



62



63



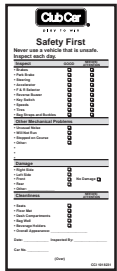
64



65



66



67



68



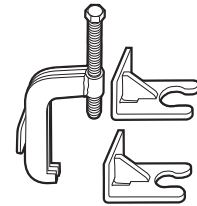
69



70



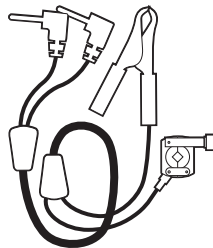
71



72



73



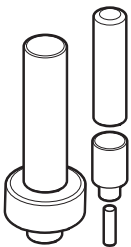
74



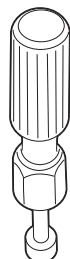
75



76



77



83



84



85



86

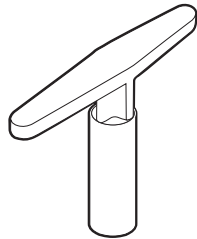
MAINTENANCE AND SERVICE TOOLS, CONTINUED

| ITEM | PART NO. | DESCRIPTION | QTY | QTY | QTY | 17 |
|------|-----------|---|--------|-----|------|----|
| | | | DIESEL | GAS | ELEC | |
| | | 1 2 3 4 | | | | G |
| 62 | 1016414 | Piston Ring Compressor Kit (FE290, FE350 and FE400 engines) | | 1 | | E |
| 63 | 1016415 | Piston Ring Pliers (for Kawasaki Engines) | | 1 | | D |
| 64 | 102668801 | Puller, Special Use (for Kubota D722 Diesel Engines) | 1 | | | |
| 65 | 1012549 | Retaining Ring Pliers, 45° External | 1 | 1 | 1 | |
| 66 | 1012560 | Retaining Ring Pliers, 90° Internal | 1 | 1 | 1 | |
| 67 | 101823101 | Safety First Card (50 per pack) | 1 | 1 | 1 | |
| 68 | 1012809 | Seal Puller | 1 | 1 | 1 | |
| 69 | 102330901 | Spanner Wrench (for coil over shock front suspension vehicles only) | 1 | 1 | | |
| 70 | 1014264 | Steering Column Bearing Press Tool | | 1 | 1 | |
| 71 | 1014259 | Steering Column Retaining Ring Tool | | 1 | 1 | |
| 72 | 102061201 | Steering Wheel Puller Tool | 1 | 1 | 1 | |
| 73 | AM10753 | Tachometer (includes gasoline engine pick up lead only) | 1 | 1 | | |
| 74 | AM10771 | Tachometer Diesel Probe (for use with item 73) | 1 | | | |
| 75 | 1014162 | Transaxle Axle Seal Tool | | 1 | | |
| 76 | 1014161 | Transaxle Pinion Seal Tool | | 1 | | |
| 77 | 1014115 | Transmission Tool Kit | | 1 | | |
| 78 | 101611003 | Tune-Up Kit, All OHV (for FE290, FE350, FE400 only) (includes air filter, spark plug, oil filter, fuel filters) (not shown) | | 1 | | |
| 79 | AM11804 | Tune-Up Kit, Gx620 (for Honda Engines) (includes air filter, spark plug, oil filter, fuel filters) (not shown) | | 1 | | |
| 80 | AM11805 | Tune-Up Kit, D722 (for Kubota Engines) (includes air filter, oil filter, fuel filters, water separator filter) (not shown) | 1 | | | |
| 81 | AM1220301 | Tune-Up Kit, Precedent (for FE290/350 Engines) (includes air filter, spark plug, oil filter, fuel filters) (not shown) | | 1 | | |
| 82 | AM1232401 | Tune-Up Kit, FH680D (for Kawasaki V-Twin Engines) (includes oil filter, fuel filter, air filter, and spark plugs) (not shown) | | 1 | | |
| 83 | 1016413 | Valve Clearance Adjuster Screw Holder (for FE290 engines only) | | 1 | | |
| 84 | 102674601 | Valve Guide Driver (for Honda GX620 Gasoline Engines) | | 1 | | |
| 85 | 101641201 | Valve Guide Reamer (FE290, FE350, and FE400 only) | | 1 | | |
| 86 | 102674401 | Valve Guide Reamer, 6.6 mm (for Honda GX620 Gasoline Engines) | | 1 | | |

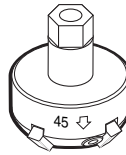
17
G
E
D



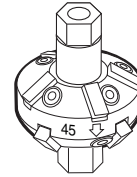
87



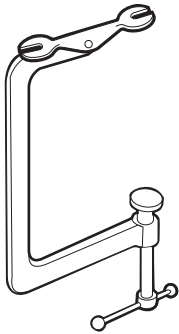
88



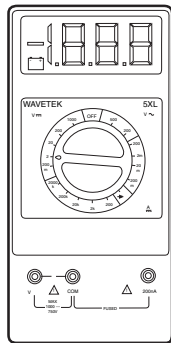
89



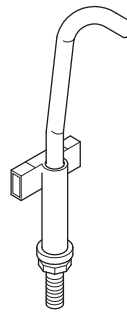
90



91



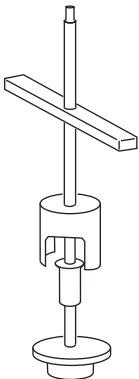
92



93



94



95



96

MAINTENANCE AND SERVICE TOOLS, CONTINUED

| ITEM | PART NO. | DESCRIPTION | QTY DIESEL | QTY GAS | QTY ELEC |
|--|-----------|--|---------------|------------|-------------|
| | | 1 2 3 4 | | | |
| 87 | 1016552 | Valve Seat Cutter Guide | | 1 | |
| 88 | 1016551 | Valve Seat Cutter T-Wrench | | 1 | |
| 89 | 1016553 | Valve Seat Cutter, 45° (32 mm diameter) (for FE290 engines only) | | 1 | |
| 90 | 1016554 | Valve Seat Cutter, 45°/30° (35 mm diameter) | | 1 | |
| 91 | 101641101 | Valve Spring Compressor | | 1 | |
| 92 | 1011480 | Volt Ohm Meter | 1 | 1 | 1 |
| 93 | 102570401 | Tool, Tensioning, Starter Generator (For Precedent vehicles) | | 1 | |
| 94 | 103601401 | Puller, Drive Clutch, XRT 950* | | 1 | |
| 95 | 103601701 | Tool, Disassembly, Driven Clutch, XRT 950 | | 1 | |
| 96 | 103600501 | Screw, Driven Clutch Disassembly, M6, XRT 950 | | 1 | |
| <p>*Note: The XRT 950 Drive Clutch Puller requires the use of Screw, Driven Clutch Disassembly, CCI Part Number 103600501.</p> | | | | | |

17

G

E

D

INDEX

Part Number and Page

| | | | | | |
|-----------|--|-----------|----------------------|-----------|---|
| AM10753 | 17-9 | 1012101 | 16-7, 16-9, 16-11 | 1013792 | 12-7 |
| AM10771 | 17-9 | 1012151 | 17-7 | 1013794 | 12-7, 15-3 |
| AM10079 | 6-3, 13-11 | 1012180 | 5-13, 5-15 | 1013924 | 4-3, 7-15, 8-15 |
| AM10080 | 12-5 | 1012181 | 5-13, 5-15, 5-17 | 1014007 | 12-3 |
| AM10081 | 12-5 | 1012182 | 5-13, 5-15, 5-17 | 1014049 | 11-3 |
| AM10419 | 11-7 | 1012285 | 9-9 | 1014050 | 11-3 |
| AM10724 | 8-5 | 1012295 | 6-5 | 1014051 | 11-3 |
| AM1232301 | 7-7 | 1012431 | 12-9 | 1014052 | 11-3 |
| CCX8506 | 16-3, 16-5, 16-7 | 1012505 | 6-3, 13-11 | 1014055 | 11-3 |
| 183 | 11-3, 12-3 | 1012528 | 10-3, 13-29, 13-31 | 1014056 | 11-3 |
| 332 | 10-3 | 1012549 | 17-9 | 1014057 | 11-3 |
| 334 | 7-15, 8-15 | 1012560 | 17-9 | 1014058 | 11-3 |
| 451 | 10-3, 14-3, 14-5 | 1012565 | 5-3, 5-5 | 1014059 | 11-3 |
| 705 | 7-15, 8-15 | 1012566 | 5-3, 5-5 | 1014062 | 11-3 |
| 706 | 5-11 | 1012571 | 7-15, 8-15 | 1014063 | 11-3 |
| 808 | 11-3 | 1012594 | 12-9 | 1014065 | 11-3, 12-9 |
| 1241 | 6-23, 10-3 | 1012649 | 9-3, 9-13 | 1014070 | 11-7 |
| 1242 | 4-7, 4-9, 4-11, 6-5, 6-23 | 1012711 | 12-3 | 1014072 | 11-7 |
| 1624 | 6-23 | 1012714 | 12-5 | 1014078 | 11-7 |
| 7174 | 6-23, 9-9, 10-3, 14-3 | 1012740 | 12-5 | 1014080 | 11-7 |
| 7310 | 2-3, 2-5 | 1012741 | 12-5 | 1014089 | 12-9 |
| 7330 | 12-7, 15-3 | 1012747 | 12-5 | 1014115 | 17-9 |
| 7335 | 12-5, 15-3 | 1012748 | 12-5 | 1014145 | 12-9 |
| 7336 | 15-3 | 1012752 | 12-3 | 1014153 | 4-3 |
| 7577 | 16-5, 16-7, 16-9, 16-11 | 1012809 | 17-9 | 1014161 | 17-9 |
| 7847 | 10-3 | 1012811 | 17-3 | 1014162 | 17-9 |
| 7893 | 6-5 | 1012812 | 17-3 | 1014201 | 14-3, 14-5 |
| 8057 | 12-9 | 1012830 | 6-23, 9-9, 10-3 | 1014207 | 12-7 |
| 8058 | 12-9 | 1012836 | 11-7 | 1014259 | 17-9 |
| 8233 | 12-3 | 1012896 | 12-3 | 1014264 | 17-9 |
| 8450 | 11-3 | 1012987 | 12-9 | 1014287 | 11-3 |
| 8639 | 13-21, 13-23, 13-25, 13-27 | 1013001 | 6-19 | 1014288 | 11-3 |
| 8717 | 12-3, 12-9 | 1013003 | 6-19 | 1014289 | 6-19 |
| 8754 | 6-23 | 1013005 | 6-19 | 1014304 | 13-19, 13-21, 13-23, 13-25, 13-27 |
| 1010142 | 5-13, 5-15, 5-17 | 101301102 | 6-19 | 1014305 | 17-3 |
| 1010144 | 5-13, 5-15, 5-17 | 1013061 | 12-3 | 1014375 | 6-5 |
| 1010145 | 5-13, 5-15, 5-17 | 101313402 | 9-13 | 1014413 | 1-9, 9-11 |
| 1010434 | 1-15, 1-25, 1-27, 1-31, 1-33, 1-35, 1-37, 4-7, 4-9, 4-11, 13-25, 13-27 | 1013582 | 17-3 | 1014453 | 11-3 |
| 1010577 | 7-15, 8-15 | 1013589 | 12-9 | 1014454 | 11-7 |
| 1010829 | 4-5 | 1013590 | 12-9 | 1014496 | 17-5 |
| 1010850 | 4-3 | 1013591 | 12-9 | 1014497 | 17-5 |
| 1010934 | 14-3 | 1013593 | 17-7 | 1014498 | 17-5 |
| 1010954 | 12-9 | 1013609 | 6-5 | 1014507 | 17-5 |
| 1010958 | 13-23, 13-25, 13-27 | 1013687 | 9-3, 9-13 | 1014508 | 17-5 |
| 1010984 | 2-3 | 1013700 | 9-9 | 1014510 | 17-5 |
| 1011273 | 17-5 | 1013734 | 10-3, 13-29, 13-31 | 1014555 | 5-13, 5-15, 5-17, 13-19, 13-21, 13-23, 13-25, 13-27 |
| 1011291 | 12-7 | 1013746 | 9-3, 9-7, 9-13, 9-17 | 1014727 | 12-9 |
| 1011415 | 5-13, 5-15, 5-17 | 1013760 | 12-3 | 1014807 | 12-9 |
| 1011466 | 4-3 | 1013768 | 12-7 | 1014902 | 1-33, 1-35, 1-37, 5-17 |
| 1011478 | 17-7 | 1013769 | 12-7 | 1014947 | 13-29, 13-31 |
| 1011480 | 17-11 | 1013770 | 12-7 | 1015064 | 12-9 |
| 1011697 | 7-15, 8-15, 9-7, 9-9, 9-17 | 1013771 | 12-7 | 1015137 | 9-3, 9-7, 9-13, 9-17 |
| 1011767 | 17-3 | 1013772 | 12-7 | 1015139 | 9-3, 9-13 |
| 1012098 | 16-3, 16-5, 16-7, 16-9, 16-11 | 1013773 | 12-7 | 1015143 | 9-3, 9-13 |
| | | 1013774 | 12-7 | 101524002 | 6-23 |
| | | 1013787 | 12-7 | | |

INDEX

| | | | | | |
|-----------|---------------------|-----------|--------------------------------|-----------|------------------------|
| 1015332 | 7-5, 8-3 | 1016470 | 7-13, 8-13 | 1016582 | 9-7, 9-17 |
| 1015524 | 17-5 | 1016472 | 7-11, 8-11 | 1016583 | 7-9, 8-9 |
| 1015649 | 7-5, 8-3 | 1016473 | 7-3, 8-7 | 1016584 | 7-11, 8-11 |
| 1015814 | 10-3 | 1016474 | 7-9, 8-9 | 1016585 | 9-5 |
| 101584502 | 9-9 | 1016479 | 7-9, 8-9 | 1016586 | 8-5 |
| 1015914 | 16-7, 16-9, 16-11 | 1016480 | 9-7 | 1016587 | 7-7, 8-5 |
| 1015917 | 16-7, 16-9 | 101648102 | 9-7, 9-17 | 1016588 | 7-7, 8-5 |
| 1015932 | 6-23 | 101648203 | 7-3, 8-7 | 1016627 | 17-7 |
| 1015969 | 7-5, 8-3 | 1016483 | 7-9, 8-9 | 1016630 | 6-3 |
| 1016074 | 6-23 | 1016486 | 9-5 | 1016663 | 5-3, 5-5 |
| 1016103 | 9-7, 9-17 | 1016489 | 7-9, 8-9 | 1016672 | 12-7 |
| 101611003 | 17-9 | 101649002 | 9-7, 9-17 | 1016801 | 11-3 |
| 1016154 | 5-3, 5-5 | 1016494 | 7-11, 8-11 | 1016849 | 6-3, 13-11 |
| 101615602 | 5-5 | 1016496 | 7-11, 8-11 | 1016851 | 6-3, 13-11 |
| 1016201 | 11-3 | 1016497 | 8-5 | 1016883 | 6-23 |
| 1016203 | 11-5 | 1016499 | 9-5 | 1016904 | 7-9, 8-9, 10-3 |
| 1016214 | 5-3, 5-5 | 1016501 | 9-5 | 101705701 | 1-33, 1-35, 1-37, 3-9 |
| 1016219 | 5-5 | 1016502 | 7-3, 8-7 | 1017082 | 12-3 |
| 1016289 | 11-3 | 1016506 | 7-11, 8-11 | 1017231 | 12-3 |
| 1016337 | 12-5 | 1016507 | 7-5, 8-3 | 1017235 | 1-33, 1-35, 1-37, 5-17 |
| 1016338 | 12-5 | 1016510 | 7-11, 8-11 | 1017434 | 7-9, 8-9 |
| 101641002 | 17-5 | 1016513 | 12-3 | 1017435 | 8-9 |
| 101641101 | 17-11 | 1016517 | 7-9, 8-9 | 1017442 | 7-3, 8-7 |
| 101641201 | 17-9 | 1016518 | 8-9 | 1017443 | 7-9, 8-9, 8-11 |
| 101641202 | 17-3 | 1016519 | 8-9 | 1017444 | 8-9 |
| 1016413 | 17-9 | 1016521 | 7-11, 8-11 | 1017445 | 7-9, 8-9 |
| 1016414 | 17-9 | 1016531 | 7-5, 8-3 | 1017446 | 8-9 |
| 1016415 | 17-9 | 1016535 | 7-11, 8-11 | 1017447 | 8-11 |
| 1016416 | 17-3 | 1016537 | 7-3, 8-7 | 1017448 | 7-7, 8-5 |
| 1016417 | 17-3 | 1016538 | 7-11, 8-11 | 101744901 | 7-13, 8-13 |
| 1016418 | 17-7 | 1016539 | 7-5, 8-3 | 101744902 | 7-13, 8-13 |
| 101642575 | 9-5, 9-15 | 1016541 | 7-13, 8-13 | 1017450 | 7-13, 8-13 |
| 101642578 | 9-5, 9-15 | 1016542 | 7-9 | 101745101 | 7-13, 8-13 |
| 101642580 | 9-5, 9-15 | 1016544 | 7-7, 7-9, 7-11, 8-5, 8-9, 8-11 | 101745102 | 7-13, 8-13 |
| 101642582 | 9-5, 9-15 | 1016545 | 7-9 | 1017453 | 7-13, 8-13 |
| 101642585 | 9-5 | 1016546 | 9-9 | 1017454 | 7-9, 8-9 |
| 1016429 | 7-3, 8-7 | 1016547 | 7-5, 8-3, 8-13, 9-7, 9-17 | 1017455 | 7-7, 8-5 |
| 1016432 | 7-3, 8-7, 12-3 | 1016549 | 7-9, 8-9 | 1017456 | 7-3, 8-7 |
| 1016436 | 7-9, 8-9 | 1016551 | 17-11 | 101745701 | 7-13, 8-13 |
| 1016437 | 9-5 | 1016552 | 17-11 | 101745702 | 7-13, 8-13 |
| 1016438 | 9-7, 9-17 | 1016553 | 17-11 | 1017458 | 7-3, 8-7 |
| 1016440 | 7-9, 8-9, 9-7, 9-17 | 1016554 | 17-11 | 1017460 | 7-3, 8-7 |
| 1016441 | 9-7, 9-17 | 1016560 | 8-9 | 1017461 | 9-5 |
| 1016444 | 9-7, 9-17 | 1016561 | 7-7, 8-5 | 1017463 | 7-7, 8-5 |
| 1016445 | 8-5 | 1016562 | 7-7, 7-13, 8-5, 8-13 | 1017466 | 9-7, 9-17 |
| 1016449 | 7-9, 8-9 | 1016563 | 7-9, 8-9 | 1017468 | 8-5 |
| 1016450 | 7-9, 8-9 | 1016564 | 7-11, 8-11 | 1017471 | 7-13, 8-13 |
| 1016451 | 7-9 | 1016566 | 7-9, 8-9 | 1017472 | 7-11, 8-11 |
| 1016452 | 7-9, 8-9 | 1016569 | 7-9, 8-9 | 1017473 | 7-9, 8-9 |
| 1016453 | 7-11 | 1016570 | 7-3, 8-7 | 1017474 | 7-5, 8-3 |
| 1016454 | 7-11, 8-11 | 1016571 | 7-13, 8-13 | 1017475 | 7-5, 8-3 |
| 1016455 | 7-7, 8-5 | 1016572 | 9-7, 9-17 | 1017476 | 7-5, 8-3 |
| 1016456 | 7-5, 8-3, 8-5 | 1016576 | 7-3, 8-7 | 1017486 | 7-5, 8-3 |
| 1016457 | 7-3, 8-7 | 1016578 | 8-5 | 1017487 | 7-11, 8-11 |
| 1016458 | 7-9, 8-9 | 1016579 | 8-5 | 1017490 | 7-7, 8-5 |
| 1016467 | 7-3, 8-7 | 1016581 | 7-3, 8-7 | 1017500 | 8-3 |

INDEX

| | | | | | |
|-----------|----------------------------|-----------|-----------------------------------|-----------|---------------------|
| 1017501 | 7-13, 8-13 | 101828301 | 16-7 | 101876001 | 6-19 |
| 1017502 | 7-13, 8-13 | 101828501 | 16-7, 16-9 | 101876202 | 6-19 |
| 1017503 | 7-13, 8-13 | 101828801 | 16-5, 16-7 | 101876301 | 6-19 |
| 1017504 | 7-11, 8-11 | 101828802 | 16-5, 16-7 | 101876402 | 6-19 |
| 1017507 | 7-3, 8-7 | 101828901 | 16-7, 16-9, 16-11 | 101876501 | 6-19 |
| 1017508 | 7-11, 8-11 | 101828902 | 16-7, 16-9, 16-11 | 101877601 | 6-19 |
| 1017510 | 7-13, 8-13 | 101828903 | 16-7 | 101877701 | 6-19 |
| 1017512 | 7-13, 8-13 | 101828904 | 16-5 | 101878101 | 6-19 |
| 1017513 | 7-11, 8-11 | 101828905 | 16-5 | 101879001 | 6-19 |
| 1017514 | 7-11, 8-11 | 101828906 | 16-5 | 101881101 | 8-5 |
| 101751801 | 7-11, 8-11 | 101830701 | 6-3, 13-11 | 101884801 | 7-15, 8-15 |
| 101751802 | 7-11, 8-11 | 101831101 | 16-7 | 101886101 | 12-3 |
| 101751803 | 7-11, 8-11 | 101831401 | 13-19 | 101887101 | 17-3 |
| 1017653 | 6-19 | 101831503 | 16-9 | 101887601 | 7-5, 8-3, 9-7, 9-17 |
| 1017686 | 11-7 | 101831504 | 16-9 | 101889401 | 12-5 |
| 1017689 | 10-3 | 101831701 | 16-9 | 101890001 | 12-5 |
| 101769302 | 2-3 | 101831801 | 17-5 | 101890101 | 12-3 |
| 101773301 | 7-13, 8-13 | 101831901 | 17-3 | 101890201 | 12-3 |
| 101773302 | 7-13, 8-13 | 101832001 | 13-19, 13-21, 13-23, 13-25, 13-27 | 101890501 | 12-3 |
| 101773303 | 7-13, 8-13 | 101832202 | 9-9 | 101890601 | 12-3 |
| 101773304 | 7-13, 8-13 | 101832302 | 9-9 | 101890901 | 12-7 |
| 101773305 | 7-13, 8-13 | 101832601 | 7-15, 8-15 | 101891001 | 12-7 |
| 101773306 | 7-13, 8-13 | 101832701 | 7-15, 8-15 | 101891301 | 12-3 |
| 101773307 | 7-13, 8-13 | 101833101 | 7-15, 8-15 | 101891401 | 12-7 |
| 101773308 | 7-13, 8-13 | 101833401 | 11-7 | 101891501 | 12-7 |
| 101773309 | 7-13, 8-13 | 101833601 | 12-3 | 101891601 | 12-5 |
| 101773310 | 7-13, 8-13 | 101833701 | 6-19 | 101891901 | 12-5 |
| 101773311 | 7-13, 8-13 | 101833902 | 11-3 | 101892001 | 12-5 |
| 101791101 | 4-3 | 101834001 | 11-7 | 101892201 | 12-5 |
| 101795701 | 13-19, 13-23, 13-25, 13-27 | 101834502 | 6-3, 13-11 | 101892301 | 12-5 |
| 101797701 | 13-21, 13-25 | 101834601 | 7-15, 8-15 | 101892401 | 12-5 |
| 101797801 | 13-21, 13-23, 13-25, 13-27 | 101834801 | 12-3 | 101892501 | 12-5 |
| 101802201 | 16-7 | 101836201 | 11-7 | 101892601 | 12-5 |
| 101802202 | 16-7 | 101837301 | 6-23 | 101892701 | 12-7 |
| 101802203 | 16-7 | 101838201 | 16-9 | 101892901 | 12-3 |
| 101808401 | 17-3 | 101838301 | 16-9 | 101893201 | 12-5 |
| 101809101 | 17-5 | 101838401 | 16-9, 16-11 | 101893801 | 12-3 |
| 101811401 | 1-9, 9-11 | 101838501 | 16-9 | 101893901 | 12-5 |
| 101813202 | 17-3 | 101838601 | 16-9, 16-11 | 101895401 | 15-3 |
| 101815501 | 4-3 | 101851101 | 6-3, 13-11 | 101895501 | 15-3 |
| 101815502 | 4-3 | 101856002 | 13-13 | 101896501 | 6-19 |
| 101816301 | 4-3 | 101856201 | 1-9, 9-11 | 101897001 | 15-3 |
| 101816501 | 4-3 | 101865805 | 13-25, 13-27 | 101897201 | 15-3 |
| 101816502 | 4-3 | 101869302 | 6-19 | 101897401 | 15-3 |
| 101820201 | 9-7, 9-17 | 101871001 | 17-3 | 101897601 | 15-3 |
| 101823101 | 17-9 | 101874901 | 6-19 | 101898001 | 6-5 |
| 101823201 | 4-3 | 101875001 | 6-19 | 101903601 | 15-3 |
| 101823301 | 4-3 | 101875101 | 6-19 | 101903701 | 15-3 |
| 101823302 | 4-3 | 101875102 | 6-19 | 101905901 | 9-5 |
| 101823801 | 4-3 | 101875201 | 6-19 | 101906901 | 15-3 |
| 101823901 | 4-3 | 101875301 | 6-19 | 101908401 | 13-13 |
| 101824001 | 4-3 | 101875401 | 6-19 | 101908701 | 13-29, 13-31 |
| 101824002 | 4-3 | 101875501 | 6-19 | 101909201 | 8-5 |
| 101824401 | 9-3, 9-13 | 101875601 | 6-19 | 101909301 | 8-5 |
| 101825101 | 3-3, 3-5 | 101875701 | 6-19 | 101909401 | 8-5 |
| 101827101 | 7-15, 8-15 | 101875802 | 6-19 | 101910501 | 12-7 |

INDEX

| | | | | | |
|-----------|------------------|-----------|------------------|-----------|--|
| 101914401 | 16-7, 16-9 | 101973501 | 16-11 | 102289401 | 5-9 |
| 101916001 | 8-13 | 101976601 | 16-11 | 102289501 | 5-9, 5-11 |
| 101916101 | 7-5, 8-3 | 101979101 | 12-9 | 102289601 | 5-9 |
| 101916201 | 8-5 | 101980801 | 12-5 | 102289701 | 5-9 |
| 101916301 | 7-7, 8-5 | 101980901 | 12-5 | 102289801 | 5-11 |
| 101916701 | 6-23, 11-3 | 101981001 | 12-5 | 102289901 | 5-9 |
| 101920101 | 14-3, 14-5 | 101987501 | 16-11 | 102290120 | 5-3, 5-7 |
| 101922101 | 15-3 | 102003201 | 9-3, 9-13 | 102292201 | 4-7, 4-9, 4-11 |
| 101922201 | 15-3 | 102022601 | 5-19, 5-21 | 102292356 | 1-7, 1-29, 13-19, 13-21, 13-23, 13-25, 13-27 |
| 101923001 | 15-3 | 102031901 | 12-7 | 102292701 | 1-17, 1-29 |
| 101923201 | 15-3 | 102061201 | 17-9 | 102292801 | 4-5 |
| 101923501 | 15-3 | 102065901 | 7-15, 8-15 | 102296020 | 1-5, 6-5, 9-3, 9-11, 9-13 |
| 101923701 | 15-3 | 102155801 | 11-7 | 102296040 | 6-5, 12-9 |
| 101923901 | 15-3 | 102169401 | 17-7 | 102296140 | 1-21, 1-23 |
| 101925601 | 11-3 | 102186001 | 14-3, 14-5 | 102296401 | 1-21, 1-23 |
| 101926901 | 12-3 | 102186101 | 14-3, 14-5 | 102296530 | 1-15, 1-25, 1-27, 1-33, 1-35, 1-37 |
| 101927101 | 12-3 | 102186201 | 14-3, 14-5 | 102296601 | 1-17 |
| 101927201 | 12-3 | 102186301 | 14-3, 14-5 | 102296716 | 13-29, 13-31 |
| 101927301 | 12-3 | 102186401 | 14-3, 14-5 | 102296819 | 1-7 |
| 101927501 | 12-5 | 102186701 | 14-3, 14-5 | 102296920 | 12-9, 13-13 |
| 101927601 | 12-5 | 102186901 | 14-3, 14-5 | 102297001 | 1-7 |
| 101927701 | 12-5 | 102187001 | 14-3 | 102297125 | 1-15, 9-11 |
| 101927901 | 12-5 | 102187101 | 14-3, 14-5 | 102297230 | 1-17, 1-27, 9-13 |
| 101928001 | 12-5 | 102196901 | 13-11 | 102297901 | 4-7, 4-9, 4-11 |
| 101928101 | 12-5 | 102235201 | 14-3, 14-5 | 102298020 | 1-29, 13-19, 13-21, 13-23, 13-25, 13-27, 13-29, 13-31 |
| 101928301 | 12-7 | 102240501 | 13-29, 13-31 | 102298030 | 1-9, 1-11, 1-17, 1-25, 4-7, 4-9, 4-11 |
| 101928601 | 12-3 | 102241501 | 17-7 | 102298116 | 5-7 |
| 101928701 | 12-3, 15-3, 17-7 | 102241502 | 17-7 | 102298130 | 5-7 |
| 101929801 | 11-3 | 102242101 | 11-7 | 102298170 | 5-13, 5-15, 5-17 |
| 101929802 | 11-3 | 102243402 | 17-7 | 102298185 | 5-13, 5-15, 5-17 |
| 101933101 | 17-7 | 102243403 | 14-3, 14-5 | 102298240 | 1-15, 1-17, 1-25, 1-27 |
| 101939901 | 6-19 | 102248803 | 17-7 | 102298401 | 1-3, 1-21, 1-23, 5-13, 5-15, 5-17 |
| 101942301 | 14-3, 14-5 | 102249901 | 17-3 | 102298580 | 1-17 |
| 101953802 | 8-3 | 102251501 | 17-7 | 102298601 | 1-17 |
| 101956201 | 16-11 | 102273201 | 16-5 | 102298716 | 1-17, 1-29 |
| 101956202 | 16-11 | 102273301 | 16-5 | 102298720 | 1-25, 1-31, 1-33, 1-35, 1-37 |
| 101958201 | 16-11 | 102273401 | 16-5 | 102298745 | 1-31, 1-33, 1-35, 1-37 |
| 101958301 | 16-11 | 102273601 | 16-5 | 102299065 | 1-19, 1-21, 1-23 |
| 101960501 | 3-3 | 102273701 | 16-3, 16-5 | 102299360 | 1-21, 1-23 |
| 101963401 | 7-15, 8-15 | 102273801 | 16-3, 16-5 | 102299601 | 1-21, 1-23 |
| 101964201 | 13-23, 13-27 | 102273901 | 16-3, 16-5 | 102304801 | 7-9, 8-9 |
| 101972001 | 17-7 | 102274001 | 16-5 | 102330901 | 17-9 |
| 101972002 | 17-7 | 102279001 | 1-17 | 102336001 | 9-9 |
| 101972003 | 17-7 | 102279103 | 1-17 | 102353201 | 5-11 |
| 101972004 | 17-7 | 102279104 | 1-17 | 102353301 | 5-11 |
| 101972005 | 17-7 | 102287101 | 5-9 | 102355301 | 6-5 |
| 101972006 | 17-7 | 102287601 | 5-9 | 102356601 | 15-3 |
| 101972007 | 17-7 | 102287701 | 5-9 | 102356801 | 15-3 |
| 101972009 | 17-7 | 102288101 | 5-9, 5-11 | 102357001 | 15-3 |
| 101972011 | 17-7 | 102288201 | 5-11 | 102357701 | 5-11 |
| 101972012 | 17-7 | 102288401 | 5-11 | 102400002 | 1-21, 1-23 |
| 101972101 | 15-3 | 102288601 | 5-19 | 102400102 | 1-21, 1-23 |
| 101972201 | 15-3 | 102288901 | 5-9 | 102400202 | 1-19 |
| 101973101 | 9-5 | 102289001 | 5-19, 5-21 | 102400302 | 1-19 |
| 101973301 | 9-5 | 102289101 | 5-11 | | |
| 101973401 | 9-7, 9-17 | 102289201 | 5-11, 5-19, 5-21 | | |

INDEX

| | | | | | |
|-----------|-----------------------------------|-----------|-----------------------------|-----------|------------------------|
| 102406701 | 9-3, 9-13 | 102508902 | 1-21 | 102536601 | 6-3, 13-11 |
| 102430901 | 8-13 | 102509301 | 5-15 | 102536602 | 6-3 |
| 102431001 | 8-11 | 102510001 | 13-11 | 102536603 | 13-11 |
| 102453001 | 12-5 | 102511101 | 13-13 | 102536605 | 13-11 |
| 102453101 | 12-5 | 102511301 | 13-19 | 102538101 | 3-3 |
| 102491501 | 13-19, 13-21, 13-23, 13-25, 13-27 | 102511302 | 13-19 | 102538201 | 3-5 |
| 102500101 | 4-13 | 102511601 | 1-23 | 102538601 | 13-13 |
| 102500501 | 1-17 | 102511602 | 1-21 | 102540301 | 7-15, 8-15 |
| 102500601 | 1-17 | 102511702 | 1-9 | 102540601 | 2-5 |
| 102500801 | 4-7, 4-9, 4-11 | 102512001 | 12-9 | 102540701 | 2-5 |
| 102501401 | 1-17 | 102512401 | 1-21, 1-23 | 102540901 | 3-3 |
| 102501402 | 1-17 | 102513001 | 5-13 | 102541425 | 1-25, 1-33, 1-35, 1-37 |
| 102501501 | 1-5 | 102513102 | 4-7, 9-9 | 102543902 | 1-19 |
| 102502301 | 1-17 | 102513301 | 1-21, 1-23 | 102544201 | 1-19, 1-21, 1-23 |
| 102502302 | 1-17 | 102513501 | 1-21, 1-23 | 102544901 | 1-33, 1-35, 1-37, 5-17 |
| 102502304 | 1-17 | 102514201 | 9-3, 9-13 | 102551701 | 1-15, 1-27 |
| 102502305 | 1-17 | 102514401 | 1-9, 9-11 | 102551901 | 4-7, 4-9, 4-11 |
| 102502306 | 1-17 | 102514701 | 9-3, 9-13 | 102552001 | 4-7, 4-9, 4-11 |
| 102502307 | 1-17 | 102515001 | 6-3, 6-17 | 102554901 | 12-9 |
| 102502308 | 1-17 | 102515101 | 6-3 | 102555501 | 17-3 |
| 102502309 | 1-17 | 102515301 | 12-9 | 102555901 | 3-5 |
| 102502311 | 1-17 | 102515401 | 12-3 | 102556701 | 2-5 |
| 102502313 | 1-17 | 102515501 | 12-9 | 102556801 | 2-5 |
| 102502401 | 1-5 | 102515601 | 12-9 | 102557201 | 1-7 |
| 102502402 | 1-5 | 102516901 | 1-11 | 102557801 | 2-3 |
| 102502404 | 1-5 | 102517001 | 1-15, 1-27 | 102558201 | 9-11 |
| 102502405 | 1-5 | 102517801 | 3-3 | 102558301 | 9-11 |
| 102502406 | 1-5 | 102517901 | 3-3 | 102558401 | 9-11 |
| 102502407 | 1-5 | 102518001 | 3-5 | 102558501 | 9-11 |
| 102502408 | 1-5 | 102519201 | 3-3 | 102558601 | 9-11 |
| 102502409 | 1-5 | 102519301 | 3-3, 3-5 | 102558701 | 9-11 |
| 102502411 | 1-5 | 102520701 | 1-23 | 102558801 | 4-13 |
| 102502413 | 1-5 | 102520702 | 1-21 | 102558901 | 4-13 |
| 102502501 | 1-5 | 102521301 | 9-11 | 102559001 | 4-13 |
| 102502901 | 1-17 | 102521401 | 9-11 | 102559101 | 4-13 |
| 102503001 | 1-17 | 102521901 | 1-29 | 102559301 | 4-13 |
| 102503221 | 1-15, 1-25, 1-27, 1-33 | 102522601 | 2-3, 2-5 | 102559401 | 4-13, 4-15, 4-17 |
| 102503222 | 1-15, 1-25, 1-27, 1-35 | 102522604 | 2-3 | 102559601 | 4-13 |
| 102503224 | 1-15, 1-25, 1-27, 1-37 | 102522605 | 2-3 | 102559701 | 4-13, 4-15, 4-17 |
| 102503225 | 1-15, 1-25, 1-27 | 102522611 | 2-5 | 102562401 | 17-3 |
| 102503901 | 1-15 | 102522901 | 6-3, 13-11 | 102562701 | 1-13 |
| 102504001 | 1-15, 1-27 | 102523901 | 1-29 | 102562801 | 1-13 |
| 102504201 | 1-15, 1-27 | 102526201 | 12-3 | 102562901 | 1-13 |
| 102504301 | 1-15, 1-27 | 102528601 | 4-13 | 102563001 | 4-13 |
| 102504501 | 1-15 | 102531001 | 1-31, 1-33, 1-35, 1-37 | 102563101 | 4-13 |
| 102504802 | 1-29 | 102531402 | 1-31, 1-33, 1-35, 1-37 | 102564901 | 5-19 |
| 102505701 | 5-9 | 102531501 | 1-25, 1-33, 1-35, 1-37 | 102565101 | 5-19 |
| 102506201 | 5-13, 5-15, 5-17 | 102531601 | 1-31, 1-33, 1-35, 1-37 | 102565201 | 5-19 |
| 102506301 | 5-13, 5-15, 5-17 | 102531701 | 1-25, 1-33 | 102565301 | 5-19 |
| 102506401 | 5-13, 5-15, 5-17 | 102531702 | 1-25, 1-35 | 102565401 | 5-19 |
| 102506601 | 5-13, 5-15, 5-17 | 102531704 | 1-25, 1-37 | 102565701 | 5-19 |
| 102508202 | 1-11 | 102534001 | 13-19 | 102565801 | 5-19 |
| 102508401 | 13-13 | 102534201 | 1-3, 1-31, 1-33, 1-35, 1-37 | 102565901 | 5-19 |
| 102508601 | 13-11 | 102534403 | 1-5 | 102566001 | 5-19 |
| 102508701 | 13-11 | 102534404 | 1-5 | 102566101 | 5-19 |
| 102508901 | 1-23 | 102534801 | 1-33, 1-35, 1-37, 5-17 | 102568701 | 1-15, 1-27 |

INDEX

| | | | | | |
|-----------|------------------------|-----------|--------------|-----------|-----------------------------------|
| 102569304 | 2-3 | 102675301 | 17-5 | 103347901 | 6-21 |
| 102569309 | 2-3, 2-5 | 102675401 | 17-5 | 103357701 | 13-19, 13-21, 13-23, 13-25, 13-27 |
| 102569311 | 2-5 | 102686101 | 17-3 | 103358501 | 13-19 |
| 102570401 | 17-11 | 102704701 | 14-3, 14-5 | 103367901 | 13-29, 13-31 |
| 102570901 | 1-33 | 102704801 | 14-3, 14-5 | 103368301 | 13-19, 13-21, 13-23, 13-25, 13-27 |
| 102570902 | 1-35 | 102704901 | 14-3, 14-5 | 103368401 | 13-19, 13-21, 13-23, 13-25, 13-27 |
| 102570904 | 1-37 | 102711001 | 6-21 | 103372101 | 9-3, 9-13 |
| 102571202 | 13-25, 13-27 | 102753401 | 8-9 | 103372301 | 9-3, 9-13 |
| 102572201 | 1-25, 1-33, 1-35, 1-37 | 102771701 | 15-3 | 103372401 | 9-13 |
| 102572401 | 13-11 | 102803301 | 6-5 | 103372504 | 9-13 |
| 102573101 | 1-25, 1-33, 1-35, 1-37 | 102806201 | 13-29 | 103374801 | 13-21, 13-23, 13-25, 13-27 |
| 102574801 | 1-25, 1-33, 1-35, 1-37 | 102806203 | 13-29 | 103375301 | 13-19, 13-21, 13-23, 13-25, 13-27 |
| 102574901 | 1-25, 1-33, 1-35, 1-37 | 102838701 | 6-21 | 103375401 | 13-19, 13-29, 13-31 |
| 102575101 | 1-25, 1-33, 1-35, 1-37 | 102838801 | 6-21 | 103375501 | 13-19, 13-21, 13-23, 13-25, 13-27 |
| 102575201 | 1-25, 1-33, 1-35, 1-37 | 102838901 | 6-21 | 103375701 | 13-5, 13-9 |
| 102584701 | 1-31, 1-33, 1-35, 1-37 | 102839001 | 6-21 | 103376001 | 13-19, 13-21, 13-23, 13-25, 13-27 |
| 102584801 | 1-31, 1-33, 1-35, 1-37 | 102839301 | 6-21 | 103379601 | 12-11 |
| 102585901 | 10-3 | 102841101 | 6-21 | 103384601 | 3-7 |
| 102586201 | 6-9 | 102844401 | 6-21 | 103384701 | 3-7 |
| 102587501 | 4-13 | 102844501 | 6-21 | 103384801 | 3-7 |
| 102588301 | 9-11 | 102844601 | 6-21 | 103386201 | 7-5 |
| 102588501 | 5-13, 5-15, 5-17 | 102844701 | 6-21 | 103388501 | 5-9 |
| 102588601 | 5-9 | 102865101 | 9-3, 9-13 | 103395401 | 13-17 |
| 102588701 | 4-13 | 102878201 | 5-9 | 103395402 | 13-15 |
| 102588901 | 4-13 | 102886301 | 15-3 | 103395501 | 13-17 |
| 102590001 | 13-5, 13-9 | 102886401 | 15-3 | 103395503 | 13-15 |
| 102591901 | 3-7 | 102886501 | 15-3 | 103397901 | 16-5, 16-7 |
| 102594301 | 4-7, 4-9, 4-11 | 102886601 | 15-3 | 103402701 | 1-7 |
| 102595012 | 4-17 | 102915601 | 1-7 | 103403401 | 13-31 |
| 102595015 | 4-15 | 102956201 | 5-9, 5-11 | 103413901 | 13-23, 13-25, 13-27 |
| 102595101 | 4-9 | 102956401 | 13-15 | 103414901 | 16-5, 16-7 |
| 102595201 | 4-15, 4-17 | 102958001 | 13-15, 13-17 | 103421801 | 13-5, 13-9 |
| 102595301 | 4-15, 4-17 | 102967901 | 1-17 | 103423001 | 1-13 |
| 102595401 | 4-15, 4-17 | 103010101 | 9-3, 9-13 | 103423002 | 1-13 |
| 102595502 | 4-15 | 103196001 | 1-21, 1-23 | 103423004 | 1-13 |
| 102595601 | 4-17 | 103199301 | 1-21, 1-23 | 103428501 | 16-3 |
| 102595701 | 4-15, 4-17 | 103200301 | 1-21, 1-23 | 103428601 | 16-3 |
| 102595801 | 4-17 | 103205101 | 1-21, 1-23 | 103428701 | 16-3 |
| 102595901 | 4-15, 4-17 | 103209501 | 5-7 | 103429001 | 16-3 |
| 102596001 | 4-15, 4-17 | 103210101 | 1-21, 1-23 | 103429101 | 16-3 |
| 102601501 | 17-5 | 103226201 | 13-15, 13-17 | 103429201 | 16-3 |
| 102603501 | 17-5 | 103226301 | 13-15, 13-17 | 103429301 | 16-3 |
| 102605201 | 17-5 | 103226401 | 13-15, 13-17 | 103429501 | 16-3 |
| 102606101 | 17-5 | 103226601 | 13-15, 13-17 | 103429601 | 16-3 |
| 102607501 | 17-5 | 103226701 | 13-15, 13-17 | 103429701 | 16-3 |
| 102628201 | 6-21 | 103238501 | 3-7 | 103434001 | 16-3 |
| 102668801 | 17-9 | 103327601 | 1-15, 1-27 | 103439901 | 16-3 |
| 102669901 | 17-7 | 103327701 | 4-13 | 103446601 | 13-29, 13-31 |
| 102674001 | 17-5 | 103330601 | 1-3 | 103447901 | 1-13 |
| 102674101 | 17-5 | 103344301 | 4-13 | 103449601 | 13-5, 13-9, 13-29 |
| 102674201 | 17-5 | 103345701 | 11-3 | 103458601 | 2-3, 2-5 |
| 102674401 | 17-9 | 103347101 | 6-21 | 103459101 | 2-3, 2-5 |
| 102674601 | 17-9 | 103347301 | 6-21, 6-25 | 103477901 | 5-11 |
| 102675001 | 17-5 | 103347601 | 6-21 | 103496801 | 6-5 |
| 102675101 | 17-5 | 103347701 | 6-21 | 103496901 | 13-5 |
| 102675201 | 17-5 | 103347801 | 6-21 | 103498501 | 13-29, 13-31 |

INDEX

103507101 9-17
103507201 9-17
103507301 9-17
103510601 13-17
103514801 13-9
103517401 16-3
103517601 16-5
103528501 4-5
103528601 4-5
103528701 4-5
103528702 4-5
103528801 4-5
103535001 4-5, 4-7, 4-9, 4-11
103536501 6-13
103572501 14-5
103615601 7-9
103615701 7-9
103615801 7-13
103615901 7-11
103616201 7-13
103616301 7-9
103616401 7-11
103616501 7-7
103616601 7-7
103616701 7-7
103616801 7-7
103616901 9-15
103635201 1-29
103638601 5-11
103638701 5-11
103638702 5-11
103638801 5-11
103639401 13-29, 13-31
103647401 13-21
103647402 13-21
103655002 9-3, 9-13
103677401 1-17
103677402 1-17
103678001 1-29
103678101 1-29
103678502 6-25
103679701 5-21
103683001 1-29
103699401 1-27
103711001 5-11
103717001 16-3
103717002 16-3
103717003 16-3
103720102 6-25
103720201 1-27
103744901 4-9, 4-11
103745001 4-9, 4-11
103756401 9-13
103777001 9-3, 9-13
103777601 4-15, 4-17
103779601 16-3

103781201 9-3, 9-13
103794501 9-13
103795301 9-13
103810201 5-7
103816601 1-5
96704416 7-15, 8-15

A

absorber, front shock 5-9
absorber, rear shock 5-13, 5-15, 5-17
AC cord 16-5, 16-7, 16-9, 16-11
AC cord bushing 16-3, 16-5
AC cord receptacle 16-11
AC cordset 16-3
accelerator cable 4-7, 9-9
accelerator pedal 4-13
accelerator pedal adjustment tool 17-3
accelerator pedal pad 4-13
access panel 1-17
adapter
 cable (IQDM) 17-7
adhesive, guide ring 17-3
adjuster
 hydraulic brake 17-7
adjuster, lash 8-11
air filter 9-11
air filter canister evacuation valve 9-11
air intake assembly 9-11
air intake cover 9-11
air intake hose 9-11
ammeter 16-3, 16-5, 16-7, 16-9, 16-11
arbor 17-3
arm
 governor 12-3
 pivot 12-3
 rocker 7-9, 8-9
armature 6-19, 14-3, 14-5
armature conversion kit 6-19
armrest 1-13, 1-25, 1-33, 1-35, 1-37
assembly
 armature 6-19
 axle 12-7
 brake lever 4-3
 brush connector 6-19
 brush holder 6-19
 carburetor 9-5
 connecting rod 7-13, 8-13
 cylinder head 8-9
 drive hub 11-3
 driven clutch 11-7
 driven clutch fixed-face 11-7
 field coil 6-19
 float 9-5
 frame and field (motor) 14-3, 14-5
 fuel tank vent 9-3, 9-13
 governor 12-5

idle screw 9-5
moveable-face 11-3, 11-7
pilot air screw 9-5
plug cap 7-7, 8-5
score card plate 5-5
secondary clutch weight 11-3

axle 12-7, 15-3

axle shaft oil seal 12-7, 15-3

axle tube 15-3

B

backing plate, brake 4-3
backrest 1-15, 1-25, 1-27, 1-33, 1-35, 1-37
bag hoop 1-15, 1-27
bag strap 1-15, 1-27
bag strap buckle 1-15, 1-27
bag, desiccant 11-3
ball bearing 7-11, 8-11
ball joint 5-19
ball stud 12-9
ball, bearing 5-11, 5-19, 6-21
ball, shifter 12-5
ball, steel pressure relief 7-3, 8-7
band, RPM limiter mount 8-5
barb, vent 9-3, 9-13
barrel, plastic 1-15, 1-25, 1-27, 1-31, 1-33, 1-35, 1-37, 4-7, 4-9, 4-11, 13-25, 13-27
battery 6-5
 8-volt 13-21, 13-25
battery bucket 13-19, 13-21, 13-23, 13-25, 13-27
battery cap 13-21, 13-23, 13-25, 13-27
battery cap, 6-volt 13-19
battery charger 16-5, 16-7, 16-9, 16-11
battery charger case 16-5, 16-7, 16-9, 16-11
battery charger handle 16-5
battery charger transformer 16-5, 16-7, 16-9, 16-11
battery charger wire harness 13-5, 13-9
battery clamp 6-5
battery condition indicator 13-11
battery discharge machine 17-3
battery light 13-11
battery separator 13-19
battery terminal protector spray 17-3
battery thermometer 17-3
battery, 12-volt, Trojan T1275, moist 13-19
battery, 12-volt, Trojan T1275, wet 13-19
battery, 8-volt, Trojan T890 13-23, 13-27
bearing 15-3
 ball 5-11, 5-19, 6-21, 7-11, 8-11
 ball (motor) 14-3, 14-5
 idler 11-3
 inner axle tube 12-7, 15-3
 needle 12-5
 outer axle tube 12-7

INDEX

- bearing and oil seal remover 17-3
 - bearing driver set 17-3
 - bearing puller 17-3
 - bearing puller wedge 17-3
 - beauty panel, front 1-5
 - beauty panel, rear 1-17
 - bellows, steering 5-19
 - belt, drive 11-5
 - belt, starter/generator 6-23, 11-3
 - bezel, FNR 12-9
 - body kick plate 1-9, 1-11
 - body, front 1-5, 1-17
 - body, under 1-17
 - bolt, U- 1-33, 1-35, 1-37, 5-17
 - boot, switch 13-13
 - bottom seat 1-13
 - bracket
 - accelerator cable 9-9
 - adjustable starter/generator 6-23
 - governor cable 9-9
 - muffler mounting 10-3
 - oil filter mount 7-3, 8-7
 - oil level switch 7-11, 8-11
 - relay mounting 16-9
 - RPM limiter 8-5
 - shock absorber 5-13, 5-15, 5-17
 - shock mounting 5-13, 5-15, 5-17
 - snubber 7-15, 8-15
 - starter/generator mounting 6-23
 - throttle spring return 9-7, 9-17
 - bracket, carburetor intake manifold 9-17
 - bracket, clamshell 1-29
 - brake adjusting mechanism 4-3
 - brake adjustment tool 17-3
 - brake backing plate 4-3
 - brake cable release tool 17-3
 - brake cluster 4-3
 - brake drum 4-3
 - brake lever 4-3
 - brake pedal 4-13
 - brake pedal adjustment tool 17-3
 - brake pedal pad 4-13
 - brake pedal tension tool 17-3
 - brake return spring 4-13
 - brake rod 4-13, 4-15, 4-17
 - brake self-adjusting mechanism 4-3
 - brake shoe 4-3
 - brake spring 4-3
 - breaker, circuit 16-3, 16-5, 16-7, 16-9, 16-11
 - breather 12-3, 15-3
 - brow 1-5
 - brow cap 1-5
 - brush 14-3, 14-5
 - brush and screw set 6-19
 - brush box assembly 14-3, 14-5
 - brush connector 6-19
 - brush cover kit, starter/generator 6-21
 - brush holder 6-19
 - brush inspection port cover 6-19
 - brush plate
 - starter/generator 6-21
 - brush port cover 6-19
 - brush rigging 14-3, 14-5
 - brush spring 6-21, 14-3, 14-5
 - brush spring set 6-19
 - brush spring, starter/generator 6-21
 - brush terminal, starter/generator 6-21, 6-25
 - bucket, battery 13-19, 13-21, 13-23, 13-25, 13-27
 - bucket, gas vehicle 9-3, 9-13
 - buckle, bag strap 1-15, 1-27
 - bumper 1-3
 - drive unit (motor) 14-3, 14-5
 - jounce 1-33, 1-35, 1-37, 5-17
 - jounce, bracket 1-33, 1-35, 1-37, 5-17
 - bushing 5-9, 5-11, 5-13, 5-15, 5-17, 11-3
 - AC cord 16-3, 16-5
 - return line 9-3, 9-13
 - button, drive 11-7
 - buzzer, reverse 6-3, 13-11
- ## C
- cable
 - accelerator 4-7, 9-9
 - governor 9-9
 - IQDM 17-7
 - cable support bracket 12-9
 - calibration test module 17-3
 - cam
 - driven clutch 11-7
 - neutral lockout 12-9
 - cam installation tool 17-3
 - camshaft 8-11
 - camshaft shim 7-11, 8-11
 - canopy 1-21, 1-23
 - canopy bracket 1-17
 - canopy component kit 1-23
 - canopy cover 1-19, 1-21, 1-23
 - canopy drain cover 1-21, 1-23
 - canopy handle 1-21, 1-23
 - canopy hardware 1-21, 1-23
 - canopy support 1-21, 1-23
 - cap
 - battery 13-21, 13-23, 13-25, 13-27
 - battery, 6-volt 13-19
 - dust 13-11
 - key switch 6-3, 13-11
 - plug 7-7, 8-5
 - cap, SAM 1-19
 - carburetor 9-5
 - carburetor adapter 9-17
 - carburetor float level tool 17-7
 - carburetor gasket 9-7, 9-17
 - carburetor insulator 9-7, 9-17
 - carburetor mounting gasket 9-7, 9-17
 - card, safety first 17-9
 - case
 - battery charger 16-5, 16-7, 16-9, 16-11
 - differential gear 12-7
 - gear 12-3, 15-3
 - rocker 8-9
 - case, charger 16-3
 - charger bezel tool 17-3
 - charger board relay 16-3
 - charger case 16-3
 - charger hardware 16-3
 - charger legs 16-3
 - charger wires 16-3
 - charger, battery 16-5, 16-7
 - choke botton rod 1-9, 9-11
 - choke lever 1-9, 9-11
 - circuit breaker 16-3, 16-5, 16-7, 16-9, 16-11
 - clamp
 - battery 6-5
 - cable retaining 9-9
 - hose 9-3, 9-7, 9-13, 9-17
 - muffler hose 10-3
 - clamshell bracket 1-29
 - clip, body trim 1-17, 1-29
 - clip, score card 5-3, 5-5
 - cluster idler gear 12-5
 - cluster, brake 4-3
 - clutch alignment tool 17-5
 - clutch pulley 11-3
 - clutch removal tool 17-3
 - clutch repair kit 11-7
 - clutch tool kit 17-5
 - clutch weight 11-3
 - clutch, drive 11-3
 - clutch, driven 11-7
 - coil, field 6-19
 - coil, ignition 8-5
 - collet 7-9, 8-9
 - column, steering 5-7
 - communication display module 17-5
 - compression gauge 17-5
 - compression spring 1-9, 9-11
 - compressor, piston ring 17-9
 - compressor, valve spring 17-11
 - connecting rod 7-13, 8-13
 - connector tube, handrail 1-25, 1-33, 1-35, 1-37
 - connector, 9-pin 6-3, 6-17, 13-11
 - connector, a- 6-19
 - continuity tester 17-5
 - controller shield 13-29, 13-31
 - controller, motor speed 13-29
 - cord connector 7-11, 8-11
 - cord set, DC 16-5

INDEX

cord, AC 16-5, 16-7, 16-9, 16-11
cord, DC 16-7, 16-9, 16-11
Cordset
 PD3, AC 114" 16-3
 PD3, AC 80" 16-3
 PD3, DC 113" 16-3
 PD3, DC 154" 16-3
 PD3, DC 205" 16-3
counterbalance guide shaft 7-13, 8-13
counterbalance weight 7-13, 8-13
coupler, SPWS 13-15, 13-17
cover
 air intake 9-11
 brush inspection port 6-19
 brush port 6-19
 crankcase 7-11, 8-11
 dust 4-3
 oil pump 7-3, 8-7
cover plate 14-3, 14-5
cover, canopy drain 1-21, 1-23
crankcase 8-13
crankcase cover 7-11, 8-11
crankcase vent tube 9-7, 9-17
crankshaft 7-13, 8-13
crankshaft rod 7-13, 8-13
crankshaft shim 7-13, 8-13
current limiter 16-11
cushion, shock absorber 5-13, 5-15, 5-17
cutter, valve seat 17-5, 17-11

D

damper, RPM limiter 8-5
dash support assembly 5-9
DC cord 16-7, 16-9, 16-11
DC cord set 16-5
DC cordset 16-3
decals
 battery tag 3-7
 battery weight warning 3-7
 CE mark 13-25, 13-27
 Club Car clip 3-3
 four-passenger warning 1-33, 1-35, 1-37, 3-9
 frame ground warning 3-3
 gas and governor warning 3-3
 IR/Club Car 1-29
 on/off 3-3, 3-5
 operating instructions 3-3, 3-5
 operating instructions (electric) 3-5
 operating instructions (gas) 3-3
 private speed mode 3-5
 rollover warning 3-3, 3-5
 rotating parts 3-3
 Run/Tow warning 3-7
 warning 3-7
 warning, battery weight 3-7

 warning, Run/Tow 3-7
 water exposure 3-7
desiccant bag 11-3
DF-terminal insulator 6-19
diesel tachometer probe 17-9
differential
 drive unit 15-3
differential gear 12-7, 15-3
differential gear case 12-7
differential housing 15-3
differential idler gear 12-7
differential pin 12-7
diode, tow switch 13-5, 13-9
dipstick 7-5, 8-3
drain channel 1-7
drain plug 7-3, 8-7
drain plug gasket 7-3, 8-7, 12-3
drain plug, rubber 6-21
drive belt 11-5
drive button 11-7
drive clutch 11-3
drive clutch button 11-3
drive clutch fixed sheave tool 17-5
drive clutch fixed-face 11-3
drive clutch holder tool 17-5
drive clutch hub puller 17-5
drive clutch puller 17-5
drive clutch spider removal tool 17-5
drive clutch spring 11-3
drive clutch weight 11-3
drive hub 11-3
drive unit bumper 14-3, 14-5
driven clutch 11-7
driven clutch button 11-7
driven clutch cam 11-7
driven clutch cam puller 17-5
driven clutch fixed-face assembly 11-7
driven clutch puller plug 17-5
driven clutch spring compression base tool 17-5
driven clutch spring compression collar tool 17-5
driven clutch spring compression nut tool 17-5
driver, drive clutch 11-3
drum, brake 4-3
dry moly lubricant 17-7
dust cap 13-11
dust cover 4-3
dust seal 5-19

E

end bell, commutator 6-19
end bell, output shaft 6-19
end cap, motor 14-3, 14-5
end, tie rod 5-19, 5-21

engine mounting plate 7-15, 8-15
engine shroud 7-5, 8-3
engine, FE350 CW without ACR 8-3
engine, FE350 S26 7-5
exhaust system 10-3
exhaust valve 7-9, 8-9

F

face, moveable 11-3, 11-7
fan housing 7-5, 8-3
fan shroud 7-5, 8-3
fan, flywheel 7-7, 8-5
fascia 1-5
field coil 6-19
field coil housing 6-19
fill plug 12-3
filter
 air 9-11
 fuel 9-3, 9-13
 oil 7-3, 8-7
 oil pump 7-3, 8-7
fixed-face, drive clutch 11-3
fixed-face, driven clutch 11-7
float 9-5
floor cover plate 4-7, 4-9, 4-11
floor mat 1-31, 1-33, 1-35, 1-37
floor mat 1-29
flywheel 8-5
flywheel fan 7-7, 8-5
flywheel fan plate 7-7, 8-5
flywheel puller 17-7
FNR bezel 12-9
FNR handle 12-9
FNR housing 13-13
FNR shift lever 12-3
FNR shifter 12-9
FNR shifter base 12-9
foot deck 1-31, 1-33, 1-35, 1-37
fork, shift 12-5
four-passenger conversion kit 1-33, 1-35
four-passenger kit 1-37
frame and field assembly (motor) 14-3, 14-5
frame and field, starter/generator 6-21
front body 1-5, 1-17
front body, beauty panel 1-5
front suspension structure 5-9
F-terminal hardware 6-19
f-terminal insulator 6-19
fuel filter 9-3, 9-13
fuel line 9-3, 9-7, 9-13, 9-17
fuel tank hold-down 9-3, 9-13
fuel tank vent 9-3, 9-13
fuse 16-7, 16-9, 16-11
 10-amp 6-5
 15-amp 13-13
 charger 16-3, 16-5

INDEX

fuse cover, sealed 6-5

G

gasket 15-3

air intake 9-11

carburetor 9-7, 9-17

carburetor mounting 9-5, 9-7, 9-17

crankcase cover 7-9, 8-9, 8-11

drain plug 7-3, 8-7, 12-3

exhaust 7-9, 8-9, 10-3

head 7-9, 8-9

insulator 7-9, 8-9, 9-7, 9-17

liquid 12-3, 15-3, 17-7

rocker case 7-9, 8-9

gasket kit, FE350 7-9, 8-9

gauge, compression 17-5

GCOR 4-13

gear

case 12-3, 15-3

cluster idler 12-5

differential 12-7, 15-3

differential idler 12-7, 15-3

differential output 15-3

helical 7-13, 8-13, 12-5, 12-7

spur 7-13, 8-13, 12-5

steering 5-19

synchro 12-5

gear yoke 17-7

governor 12-5

governor arm 12-3

governor cable 9-9

governor cable bracket 9-9

governor shaft installation tool 17-7

governor shield 9-7, 9-17

grip, pencil 5-3, 5-5

grommet 9-3, 9-13

guide

intake valve 8-9

valve 8-9

valve seat cutter 17-11

guide ring adhesive 17-3

H

hand rail 1-31, 1-33, 1-35, 1-37

handle, battery charger 16-5

handle, FNR 12-9

handrail connector tube 1-25, 1-33, 1-35, 1-37

hardware kit, charger 16-3

hardware, F-terminal 6-19

harness, instrument panel 6-3, 6-17, 13-11

harness, wire 6-9, 13-5, 13-9

harness, wire, battery charger 13-5, 13-9

head gasket 7-9, 8-9

head, cylinder 8-9

heatsink 16-5

heatsink and rectifier 16-7, 16-9, 16-11

helical gear 7-13, 8-13, 12-5, 12-7

hinge 13-19, 13-21, 13-23, 13-25, 13-27

hip restraint 1-13, 1-25, 1-33, 1-35, 1-37

hold-down, fuel tank 9-3, 9-13

hoop, bag 1-15, 1-27

hose, air intake 9-11

hose, fuel 9-3, 9-13

hose, SPWS 13-15, 13-17

housing

3-pin 14-3, 14-5

differential 15-3

fan 7-5, 8-3

field coil 6-19

hub 5-11

hub, synchronizer clutch 12-5

hubcap 5-11

hydraulic brake adjuster 17-7

hydrometer 17-7

I

idle screw assembly 9-5

idler bearing 11-3

idler gear, differential 15-3

ignition coil 8-5

inner frame snubber 7-15, 8-15

input shaft 15-3

insert, synchronizer 12-5

instrument panel 6-3, 13-11

instrument panel harness 6-3, 6-17, 13-11

insulator gasket 7-9, 8-9, 9-7, 9-17

insulator, carburetor 9-7, 9-17

intake assembly 9-11

intake cover 9-11

intake hose 9-11

intake pipe 9-7

intake valve 8-9

intermediate shaft 15-3

internal retaining ring pliers 17-7

IQ display module (IQDM) 17-7

J

J-clip 1-17

jet, main 9-5, 9-15

jet, pilot 9-5

joint

ball 5-19

jounce bumper 1-33, 1-35, 1-37, 5-17

jounce bumper bracket 1-33, 1-35, 1-37, 5-17

K

key

crankshaft 7-7, 7-13, 8-5, 8-13

driven clutch 11-7

On/Off 6-3, 13-11

square 11-7

starter/generator 6-19

woodruff 12-3

key switch 6-3, 13-11

key switch cap 6-3, 13-11

kick plate 1-9

kick plate, body 1-9, 1-11

kit

3-pin housing 14-3, 14-5

brake pedal adjustment tool 17-3

brake shoe retainer 4-3

canopy component 1-23

clutch repair 11-7

differential gear case 12-7

drive clutch button 11-3

drive clutch weight 11-3

driven clutch button 11-7

four-passenger 1-37

front hub replacement 5-11

IQ display module (IQDM) 17-7

motor brush 14-3, 14-5

motor brush spring 14-3, 14-5

motor cover plate 14-3, 14-5

motor speed sensor 14-3, 14-5

motor terminal hardware 14-3, 14-5

neutral lockout cam 12-9

PD3 Cordest, AC 114" 16-3

PD3 Cordest, AC 80" 16-3

PD3 Cordest, DC 113" 16-3

PD3 Cordest, DC 154" 16-3

PD3 Cordest, DC 205" 16-3

PD3 hardware 16-3

PD3 wiring 16-3

shock absorber cushion 5-13, 5-15, 5-17

SPWS 13-15, 13-17

tune-up 17-9

L

lash adjuster 8-11

L-bracket, motor 14-3

leaf spring 1-33, 1-35, 1-37, 5-13, 5-15, 5-17

legs, charger 16-3

lever

change 12-3

choke 1-9, 9-11

light

battery 13-11

oil 6-3

limit switch 12-9

limiter

current 16-11

RPM 8-5

line, fuel 9-3, 9-7, 9-13, 9-17

liquid gasket 12-3, 15-3, 17-7

low oil warning light 6-3

lubricant, dry moly 17-7

INDEX

lubricant, moly-teflon 14-3, 14-5, 17-7
lug nut 2-3, 2-5
lug stud 12-7, 15-3

M

magnet, speed sensor 14-3, 14-5
main jet 9-5, 9-15
manifold, SPWS 13-15
mat, floor 1-29, 1-31, 1-33, 1-35, 1-37
mechanism, brake adjusting 4-3
meter, volt ohm 17-11
module
 calibration test 17-3
 communication display 17-5
moly-teflon lubricant 17-7
motor
 48-volt IQ 14-3, 14-5
motor brush kit 14-3, 14-5
motor brush spring kit 14-3, 14-5
motor bumper 14-3, 14-5
motor end cap 14-3, 14-5
motor L-bracket 14-3
motor magnet, speed sensor 14-3, 14-5
motor speed controller 13-29
motor speed sensor 14-3, 14-5
motor speed sensor kit 14-3, 14-5
motor terminal hardware kit 14-3, 14-5
moveable-face 11-3, 11-7
muffler hose clamp 10-3

N

needle bearing 12-5
neutral lockout cam 12-9
nozzle, main 9-5
nut, lug 2-3, 2-5

O

oil filler tube 7-5, 8-3
oil filter 7-3, 8-7
oil filter mount bracket 7-3, 8-7
oil filter screen 7-11, 8-11
oil filter screen plate 7-11, 8-11
oil level sensor 7-11, 8-11
oil level switch bracket 7-11, 8-11
oil pump and rotor 7-3, 8-7
oil pump cover 7-3, 8-7
oil pump filter 7-3, 8-7
oil pump plate 7-3, 8-7
oil seal 7-9, 7-11, 7-13, 8-9, 8-11, 8-13, 12-3, 12-5
oil warning light, low 6-3
O-ring 7-5, 7-9, 7-11, 7-13, 8-3, 8-9, 8-11, 8-13, 13-15, 13-17

P

pad
 accelerator pedal 4-13
 brake pedal 4-13
 park brake pedal 4-13
paint, touch-up 17-7
panel
 SAM 1-15
panel, access 1-17
panel, beauty
 front body 1-5
 rear body 1-17
park brake pad 4-13
pedal assembly 4-13
pedal group 4-13
pedal spring kit 4-13
pencil grip 5-3, 5-5
pilot air screw assembly 9-5
pilot jet 9-5
pin, differential 12-7
pin, piston 7-13, 8-13
pinion, steering 5-19
pipe, intake 9-7
piston 7-13, 8-13
piston pin 7-13, 8-13
piston ring 7-13, 8-13
piston ring compressor 17-9
piston ring pliers 17-9
piston ring set 7-13, 8-13
pivot arm 12-3
plate
 backing (brake) 4-3
 cover 14-3, 14-5
 engine mounting 7-15, 8-15
 flywheel fan 7-7, 8-5
 kick 1-9
 oil filter screen 7-11, 8-11
 oil pump 7-3, 8-7
 score card 5-5
 thrust 12-5, 12-7
plate, floor cover 4-7, 4-9, 4-11
pliers
 internal retaining ring 17-7
 piston ring 17-9
 retaining ring 17-9
plug
 drain 7-3, 8-7
 driven clutch puller 17-5
 fill 12-3
 rubber drain 6-21
 spark 8-5
plug cap 7-7, 8-5
plug, carburetor intake manifold 9-17
plug, spark 7-7
pole set 6-19

press weldment 17-5
protector spray, battery terminal 17-3
puller
 bearing 17-3
 clutch 17-3
 drive clutch 17-5
 drive clutch hub 17-5
 driven clutch cam 17-5
 flywheel 17-7
 seal 17-9
 special use tool 17-9
pulley 6-21
 clutch 11-3
 starter-generator 6-19
push rod 7-9, 8-9

R

rack and pinion 5-19
rack and pinion steering gear box 5-19
rack, steering 5-19
raef-facing seat 1-37
reamer, valve guide 17-9
rear body, beauty panel 1-17
receptacle 13-19, 13-21, 13-23, 13-25, 13-27
receptacle, AC cord 16-11
rectifier with heatsink 16-7, 16-9, 16-11
regulator, voltage 6-5
relay 16-9, 16-11
relay mounting bracket 16-9
relay, charger board 16-3
remover, bearing and oil seal 17-3
resistor assembly 13-29, 13-31
restraint, hip 1-13, 1-25, 1-33, 1-35, 1-37
retainer
 brake shoe 4-3
 shock absorber cushion 5-13, 5-15, 5-17
 spring (drive clutch) 11-3
 valve spring 7-9, 8-9
retaining ring pliers 17-9
return spring, brake 4-13
reverse buzzer 6-3, 13-11
ring
 piston 7-13, 8-13
 retaining 11-3, 11-7, 12-9
 snap 7-13, 8-9, 8-13
 spiral backup 11-3
 synchronizer 12-5
ring, piston 7-13, 8-13
rocker arm 7-9, 8-9
rocker case 8-9
rocker case gasket 7-9, 8-9
rocker shaft 7-9, 8-9
rocker switch 13-13
rod
 brake 4-13, 4-15, 4-17
 connecting 7-13, 8-13

INDEX

crankshaft 7-13, 8-13
push 7-9, 8-9
shift 12-5
rotor, oil pump and 7-3, 8-7
RPM limiter 8-5
RPM limiter bracket 8-5
RPM limiter damper 8-5
RPM limiter mount band 8-5

S

safety first card 17-9
SAM 1-15
SAM (structural accessory module) 1-15, 1-27
SAM cap 1-19
SAM panel 1-15
score card clip 5-3, 5-5
score card plate 5-5
screen, oil filter 7-11, 8-11
screw, valve clearance adjuster 17-9
seal
dust 5-19
lip 15-3
oil 7-9, 7-11, 7-13, 8-9, 8-11, 8-13, 12-3, 12-5, 12-7, 15-3
seal puller 17-9
sealant 12-3, 15-3
seat
spring 7-9, 8-9
valve 7-3, 8-7
seat bottom 1-13, 1-25, 1-33, 1-35, 1-37
seat bracket 1-25, 1-33, 1-35, 1-37
sensor, motor speed 14-3, 14-5
sensor, oil level 7-11, 8-11
separator, battery 13-19
set, brush and screw 6-19
set, pole 6-19
shackle 5-13, 5-15, 5-17
shaft
change 12-3
counterbalance guide 7-13, 8-13
input 15-3
intermediate 15-3
rocker 7-9, 8-9
transmission 12-5
shield, controller 13-29, 13-31
shield, governor 9-7, 9-17
shift fork 12-5
shift lever 12-3
shift rod 12-5
shifter, FNR 12-9
shim, camshaft 7-11, 8-11
shim, crankshaft 7-13, 8-13
shock absorber (front) 5-9
shock absorber (rear) 5-13, 5-15, 5-17
shock absorber cushion 5-13, 5-15, 5-17
shock absorber cushion retainer 5-13, 5-15,
5-17
shock mounting bracket 5-13, 5-15, 5-17
shoe, brake 4-3
shroud 7-5, 8-3
shroud, engine 7-5, 8-3
shroud, fan 7-5, 8-3
sleeve 5-9, 5-11, 5-13, 5-15, 5-17
governor 12-5
synchronizer 12-5
snap ring 7-13, 8-9, 8-13
snubber bracket 7-15, 8-15
snubber, inner frame 7-15, 8-15
solenoid, 12-volt 6-5
solenoid, 48-volt 13-29, 13-31
spanner wrench 17-9
spark plug 7-7, 8-5
speed controller 13-29
speed sensor 14-3, 14-5
speed sensor magnet 14-3, 14-5
speed sensor, motor 14-3, 14-5
spiral backup ring 11-3
spray, battery terminal protector 17-3
spring
brake 4-3
brake return 4-13
brush 6-19, 6-21, 14-3, 14-5
compression 1-9, 5-3, 5-5, 9-11
drive button 11-3
drive clutch 11-3
driven clutch 11-7
forward/reverse cam 12-9
leaf 1-33, 1-35, 1-37, 5-13, 5-15, 5-17
shifter 12-5
synchronizer 12-5
throttle return 9-7, 9-17
valve 7-9, 8-9
spur gear 7-13, 8-13, 12-5
SPWS coupler 13-15, 13-17
SPWS fitting, swivel T 13-15, 13-17
SPWS hose 13-15, 13-17
SPWS kit 13-15, 13-17
SPWS manifold 13-15
SPWS tubing 13-15, 13-17
stand-offs, plastic 16-3
starter/generator 6-19
starter/generator (cw) 6-21
starter/generator belt 6-23, 11-3
starter/generator brush cover kit 6-21
starter/generator brush plate 6-21
starter/generator brush spring 6-21
starter/generator brush terminal 6-21, 6-25
starter/generator frame and field 6-21
starter/generator pulley 6-19
steel pressure relief ball 7-3, 8-7
steering column 5-7
steering column bearing press tool 17-9

steering column retaining ring tool 17-9
steering gear 5-19
steering pinion 5-19
steering rack 5-19
steering wheel puller tool 17-9
steering, rack and pinion gear box 5-19
stem, valve 2-3, 2-5
stiffener, flywheel side 7-15, 8-15
stiffener, PTO side 7-15, 8-15
strap, bag 1-15, 1-27
stud 7-15, 8-15
lug 12-7, 15-3
stud, ball 12-9
suppressor, voltage 16-7, 16-9, 16-11
suspension, front structure 5-9
switch
four-position 16-9, 16-11
key 6-3, 13-11
limit 12-9
rocker 13-13
Tow/Run 13-13
switch rubber boot 13-13
synchro gear 12-5
synchronizer clutch hub 12-5
synchronizer insert 12-5
synchronizer sleeve 12-5
synchronizer spring 12-5

T

12-volt solenoid 6-5
tachometer 17-9
tachometer probe, diesel 17-9
tag, battery warning 3-7
tappet 7-11
tester, continuity 17-5
thermometer, battery 17-3
throttle return spring 9-7, 9-17
throttle spring return bracket 9-7, 9-17
thrust plate 12-5, 12-7
tie rod end 5-19, 5-21
tie wrap 13-21, 13-23, 13-25, 13-27
tire 2-3, 2-5
tire, pro tour, 205-50 x 10 2-5
tool
accelerator pedal adjustment 17-3
belt tensioning, starter/generator 17-11
brake adjustment 17-3
brake cable release 17-3
brake pedal adjustment 17-3
brake pedal tension 17-3
cam installation 17-3
carburetor float level 17-7
charger bezel 17-3
clutch alignment 17-5
cT-wrench 17-5
drive clutch fixed sheave 17-5

INDEX

drive clutch holder 17-5
drive clutch spider removal 17-5
driven clutch spring compression base 17-5
driven clutch spring compression collar 17-5
driven clutch spring compression nut 17-5
governor shaft installation 17-7
puller, special use 17-9
steering column bearing press 17-9
steering column retaining ring 17-9
steering wheel puller 17-9
transaxle axle seal 17-9
transaxle pinion seal 17-9
transmission 17-9
valve guide driver 17-9
valve seat cutter 17-5
tool kit, clutch 17-5
touch-up paint 17-7
tow switch diode 13-5, 13-9
Tow/Run switch 13-13
transaxle 15-3
transaxle axle seal tool 17-9
transaxle housing 15-3
transaxle pinion seal tool 17-9
transaxle, unitized 12-3
transformer, battery charger 16-5, 16-7, 16-9, 16-11
transmission shaft 12-5
transmission tool 17-9
tube
 crankcase vent 9-7, 9-17
 oil filler 7-5, 8-3
tubing, SPWS 13-15, 13-17
tune-up kit 17-9
T-wrench tool 17-5

U

U-bolt 1-33, 1-35, 1-37, 5-17
u-bolt 5-13, 5-15
underbody 1-17
underbody cover 1-25, 1-33, 1-35, 1-37
underbody cover kit 1-19
unitized transaxle 12-3

V

valve
 exhaust 7-9, 8-9
 intake 8-9
 reed 7-9, 8-9
valve clearance adjuster screw 17-9
valve guide 8-9
valve guide driver tool 17-9
valve guide reamer 17-9
valve guide, intake 8-9
valve seat 7-3, 8-7

valve seat cutter 17-5, 17-11
valve seat cutter guide 17-11
valve seat cutter tool 17-5
valve seat t-wrench 17-11
valve spring 7-9, 8-9
valve spring compressor 17-11
valve spring retainer 7-9, 8-9
valve stem 2-3, 2-5
vent barb 9-3, 9-13
volt ohm meter 17-11
voltage regulator 6-5
voltage suppressor 16-7, 16-9, 16-11

W

warning light, low oil 6-3
warning tag, battery 3-7
wedge, bearing puller 17-3
weight
 clutch 11-3
 counterbalance 7-13, 8-13
 secondary clutch 11-3
weldment
 press 17-5
wheel 2-3, 2-5
wheel and tire 5-5
wire harness 6-9, 13-5, 13-9
wire harness, battery charger 13-5, 13-9
wiring, charger 16-3
woodruff key 12-3
wrap, tie 13-21, 13-23, 13-25, 13-27
wrench, spanner 17-9

Y

yoke support 5-19
yoke, gear 17-7



Club Car, Inc.
P.O. Box 204658
Augusta, GA 30917-4658
USA

Web www.clubcar.com
Phone 1.706.863.3000
1.800.ClubCar
Int'l +1 706.863.3000
Fax 1.706.863.5808