

1998
ILLUSTRATED
PARTS LIST

DS GOLF CARS
GASOLINE/ELECTRIC

MANUAL NUMBER 1019683-01
PRINT CODE 0897B0101A

USING THE ILLUSTRATED PARTS LIST

WARNING

- THIS MANUAL IS TO BE USED ONLY FOR IDENTIFICATION AND ORDERING OF SERVICE PARTS. BE SURE TO READ AND USE THE MAINTENANCE AND SERVICE MANUAL BEFORE ATTEMPTING ANY VEHICLE REPAIRS.

This manual covers all 1998 Club Car® DS Tranquility®, V-Glide 36 volt, DS PowerDrive® System 48™ and DS PowerDrive Plus™ vehicles.

The manual is divided into 16 sections. Sections 1 through 6 pertain to both gasoline and electric vehicles, sections 7 through 12 pertain to gasoline vehicles only, and sections 13 through 16 pertain to electric vehicles only. Note that there are two or three flags on the outside edge of each page. The first flag contains the section number of which that page is a part. The other flag (or flags) contains either the letter G or E, signifying that the page pertains to either the gasoline or electric vehicle only, or to both the gasoline and electric vehicles.

Use the Table of Contents to find the sections and pages that contain the parts and assemblies you seek. The Table of Contents lists section titles and numbers, and under them, the individual page titles and numbers to be found in that section. Unless a page title specifies a particular vehicle(s), the page applies to all DS vehicles.

Typically, there is a two-page spread for each individual page title in the Table of Contents (however, some titles require several spreads). On the left-hand page is an illustration showing the parts in their relative positions; the parts are each tagged with an item number in a balloon. The right-hand page is the parts list page, and gives the page title at the top, then the item numbers (corresponding to the numbers on the illustration), part descriptions, and quantity of parts used. Some item numbers have more than one part number because several models and/or configurations of a component are represented together on one spread.

Note that a part description may be indented. This indentation corresponds to a parts assembly level indicated by the numbers 1, 2, 3, and 4 at the top left corner of the parts description area of the parts list page. A part that is indented to *level 2* is a component of the *level 1* part (assembly) that it is listed under. A *level 3* part is a component of the *level 2* part that it is listed under, and a *level 4* part is a component of the *level 3* part preceding it. In each case, the part quantity given for a level 2, 3, or 4 part *is the quantity used per next higher level assembly of which it is a component*. A part that is not indented is a *level 1* part. This means that the quantity given is the quantity used per the portion of the vehicle illustrated on that particular spread.



P. O. Box 204658
Augusta, Georgia 30917-4658 USA
Telephone 706-863-3000
Service Parts Fax 706-855-7413

© 1997, CLUB CAR, INC.

All rights reserved.

This manual effective August 18, 1997
Manual print code: 0897B0101A

CONTENTS

MAINTENANCE AND SERVICE TOOLS

SECTION

1

MAINTENANCE AND SERVICE TOOLS 1-3 - 1-5

BODY AND TRIM

SECTION

2

BODY TRIM 2-3
FRONT BODY 2-5
REAR BODY AND FENDER - GASOLINE VEHICLE 2-7
REAR BODY AND FENDER - ELECTRIC VEHICLE 2-9
SEAT BOTTOM AND ARMREST 2-11
SEAT BACK AND BAG HOOP 2-13

WHEELS AND TIRES

SECTION

3

WHEELS AND TIRES 3-3

SAFETY DECALS

SECTION

4

SAFETY DECALS - GASOLINE VEHICLE 4-3
SAFETY DECALS - ELECTRIC VEHICLE 4-5

BRAKES, PEDAL, AND CABLE ASSEMBLIES

SECTION

5

BRAKE ASSEMBLY 5-3
BRAKE PEDAL AND CABLE ASSEMBLY 5-5
ACCELERATOR PEDAL ASSEMBLY 5-7

STEERING, FRONT AND REAR SUSPENSION

SECTION

6

STEERING COLUMN 6-3
STEERING GEAR ASSEMBLY 6-5
FRONT SUSPENSION, UPPER 6-7
FRONT SUSPENSION, LOWER 6-9
REAR SUSPENSION 6-11

ELECTRICAL SYSTEM - GASOLINE VEHICLE

SECTION

7

WIRING - GASOLINE VEHICLE 7-3
FORWARD AND REVERSE SHIFTER ASSEMBLY - GASOLINE VEHICLE 7-5
ELECTRICAL COMPONENT BOX - GASOLINE VEHICLE 7-7
ELECTRICAL COMPONENTS - GASOLINE VEHICLE 7-9
STARTER/GENERATOR ASSEMBLY 7-11
STARTER/GENERATOR MOUNTING 7-13
BATTERY - GASOLINE VEHICLE 7-15

FE 290 ENGINE

SECTION

8

FE 290 ENGINE 8-3 - 8-13
ENGINE MOUNTING 8-15

CONTENTS

FUEL, INTAKE, AND GOVERNOR SYSTEMS

SECTION

9

FUEL SYSTEM	9-3
CARBURETOR ASSEMBLY	9-5
CARBURETOR INSTALLATION	9-7
GOVERNOR AND ACCELERATOR CABLES	9-9
INTAKE DUCT, CHOKE, AND AIR BOX ASSEMBLY	9-11

EXHAUST SYSTEM

SECTION

10

EXHAUST SYSTEM	10-3
----------------------	------

TORQUE CONVERTER

SECTION

11

DRIVE CLUTCH	11-3
DRIVEN CLUTCH	11-5

UNITIZED TRANSAXLE - GASOLINE VEHICLE

SECTION

12

UNITIZED TRANSAXLE - GASOLINE VEHICLE	12-3 - 12-7
---	-------------

ELECTRICAL SYSTEM - ELECTRIC VEHICLE

SECTION

13

ELECTRICAL COMPONENTS, FRONT BODY - ELECTRIC VEHICLE	13-3
WIRING - V-GLIDE 36 VOLT VEHICLE	13-5
FORWARD AND REVERSE SWITCH - V-GLIDE 36 VOLT VEHICLE	13-7
WIPER SWITCH - V-GLIDE 36 VOLT VEHICLE	13-9
RESISTOR AND BOARD ASSEMBLY - V-GLIDE 36 VOLT VEHICLE	13-11
BATTERIES, CHARGER RECEPTACLE, SOLENOID - V-GLIDE 36 VOLT VEHICLE	13-13
WIRING - POWERDRIVE SYSTEM 48 VEHICLE	13-15
FORWARD AND REVERSE SWITCH - POWERDRIVE SYSTEM 48 VEHICLE	13-17
BATTERIES, CHARGER RECEPTACLE - POWERDRIVE SYSTEM 48 VEHICLE	13-19
COMPUTER, CONTROLLER, AND SOLENOID - POWERDRIVE SYSTEM 48 VEHICLE	13-21
MULTI-STEP POTENTIOMETER - POWERDRIVE SYSTEM 48 AND POWERDRIVE PLUS	13-23
WIRING - POWERDRIVE PLUS VEHICLE	13-25
FORWARD AND REVERSE SWITCH, TOW SWITCH - POWERDRIVE PLUS VEHICLE	13-27
BATTERIES, CHARGER RECEPTACLE - POWERDRIVE PLUS VEHICLE	13-29
SOLENOIDS, ENERGY DISPLACEMENT MODULE - POWERDRIVE PLUS VEHICLE	13-31
CONTROLLER, ON-BOARD COMPUTER - POWERDRIVE PLUS VEHICLE	13-33

BATTERY CHARGER

SECTION

14

ACCU-POWER® CHARGER, DOMESTIC - V-GLIDE 36 VOLT VEHICLE	14-3
ACCU-POWER CHARGER, EXPORT - V-GLIDE 36 VOLT VEHICLE	14-5
ACCU-POWER CHARGER, EXPORT, 100 VOLT - V-GLIDE 36 VOLT VEHICLE	14-7
POWERDRIVE CHARGER, DOMESTIC - POWERDRIVE SYSTEM 48 AND POWERDRIVE PLUS	14-9
POWERDRIVE CHARGER, EXPORT - POWERDRIVE SYSTEM 48 AND POWERDRIVE PLUS	14-11
POWERDRIVE CHARGER, EUROPEAN - POWERDRIVE SYSTEM 48 AND POWERDRIVE PLUS	14-13

ELECTRIC MOTOR

SECTION

15

MOTOR - V-GLIDE 36 VOLT VEHICLE	15-3
MOTOR - POWERDRIVE SYSTEM 48 VEHICLE	15-5
MOTOR - POWERDRIVE PLUS VEHICLE	15-7

CONTENTS

TRANSAXLE - ELECTRIC VEHICLE

SECTION

16

TRANSAXLE - ELECTRIC VEHICLE	16-3
------------------------------------	------

1
G
E

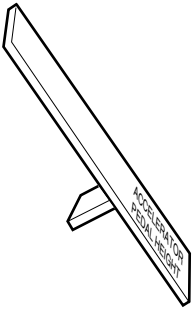
MAINTENANCE AND SERVICE TOOLS

1

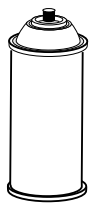
G

E

**1
G
E**



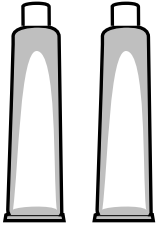
1



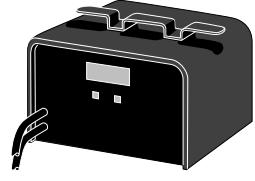
2



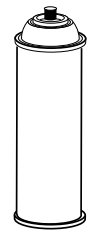
3



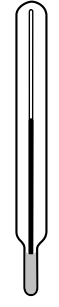
4



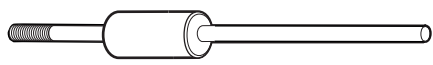
5



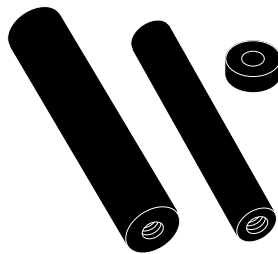
6



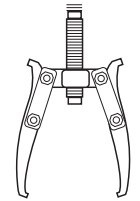
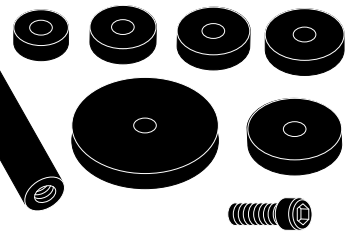
7



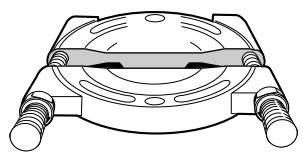
8



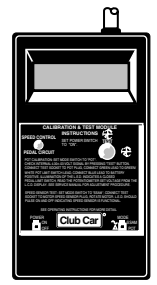
9



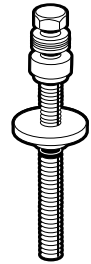
10



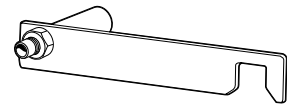
11



12



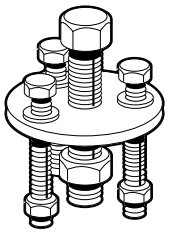
13



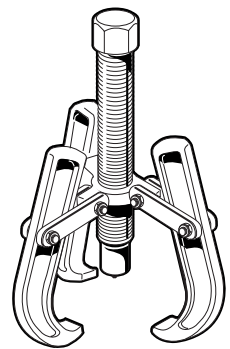
14



15



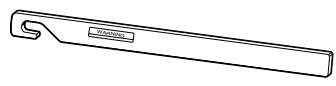
16



17



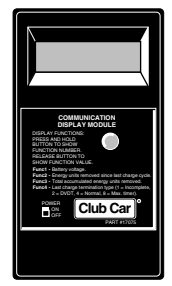
18



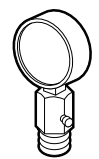
19



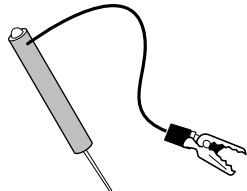
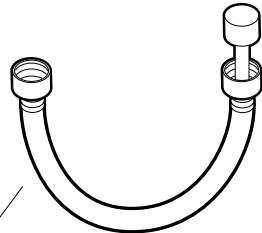
20



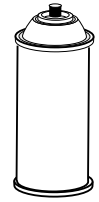
21



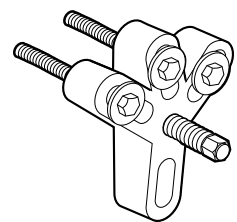
22



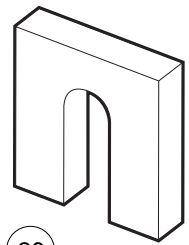
23



24



25



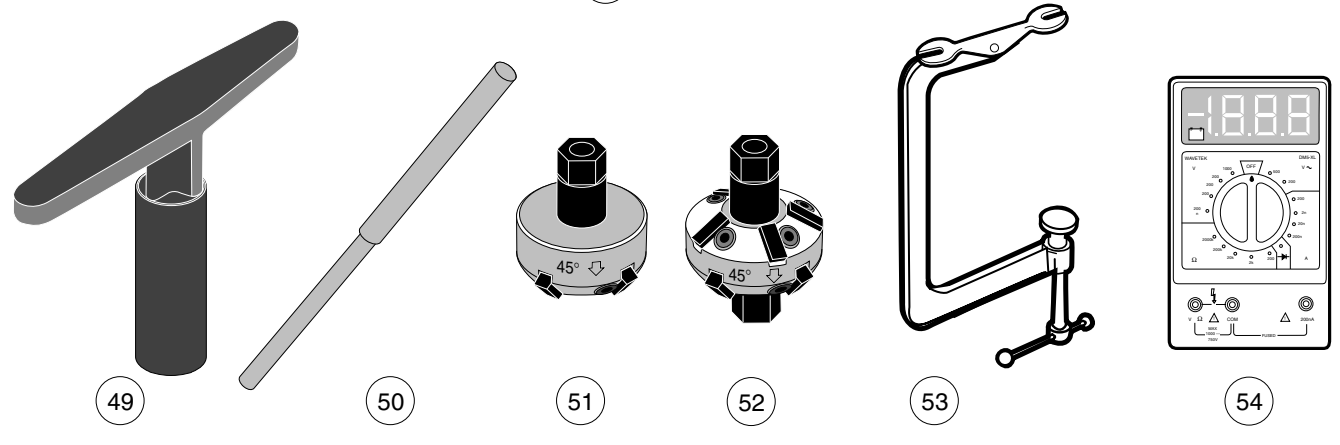
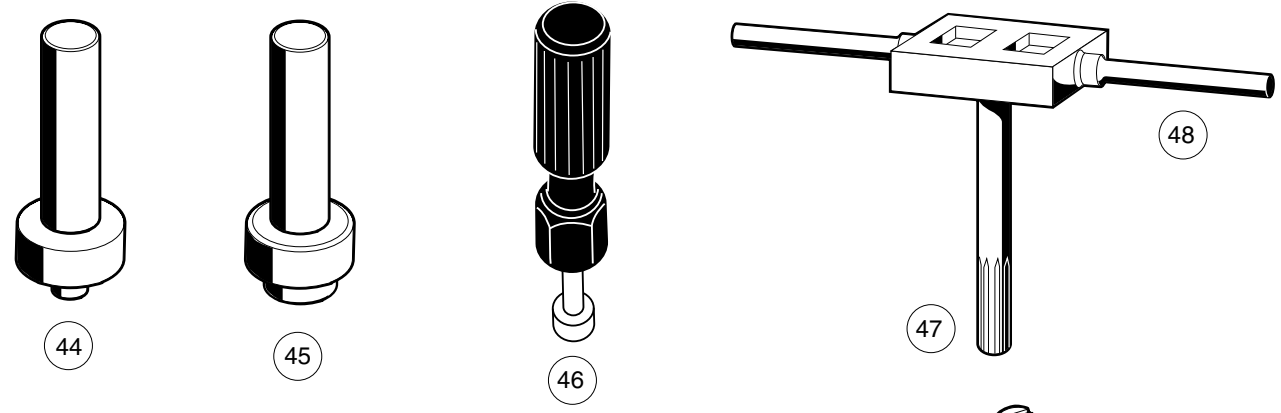
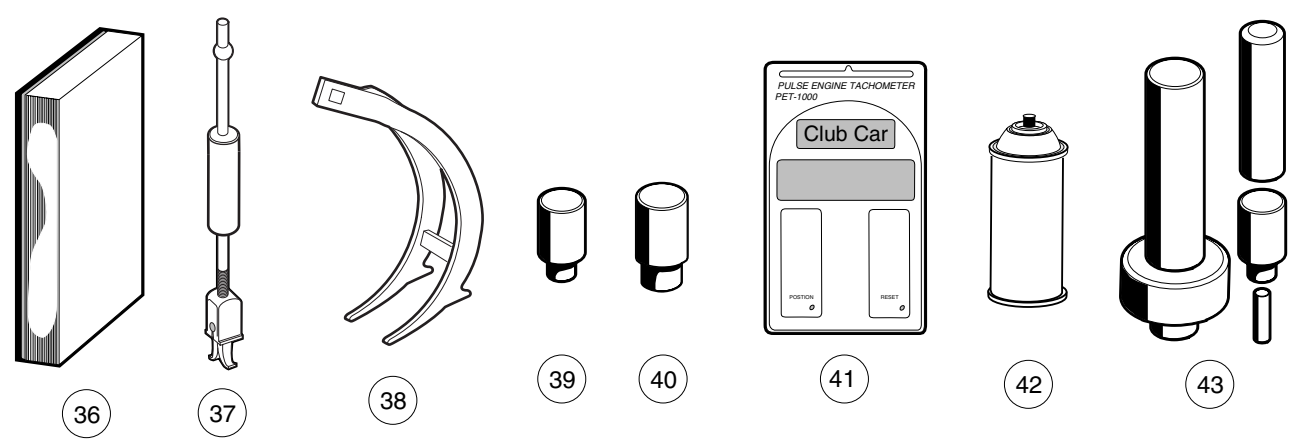
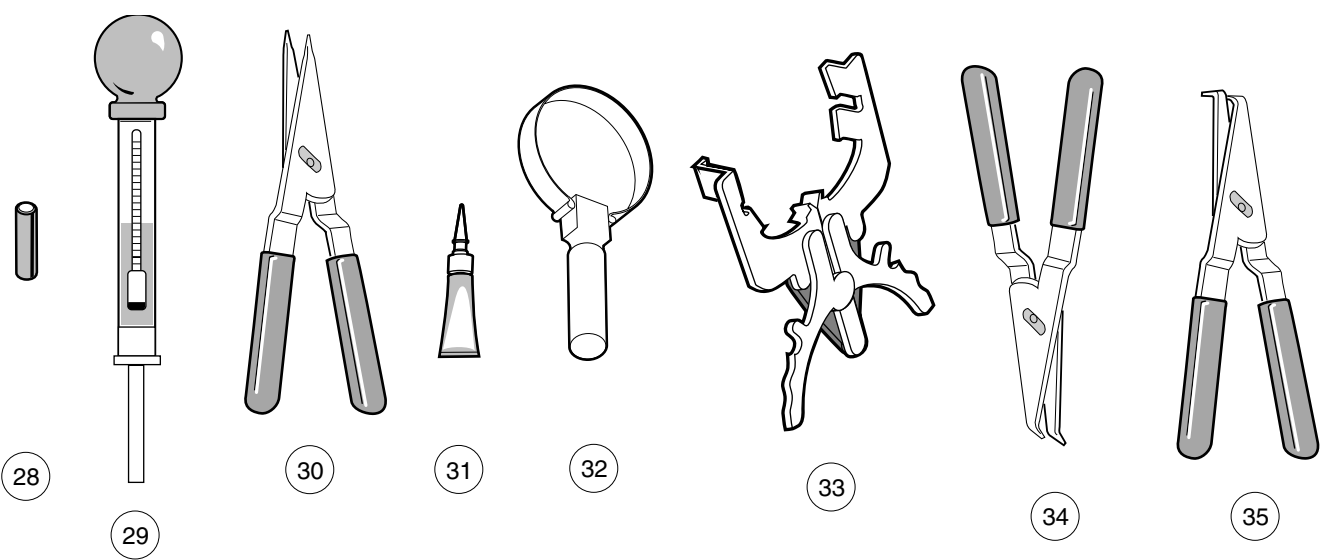
26

MAINTENANCE AND SERVICE TOOLS

ITEM	PART NO.	DESCRIPTION	QTY GAS	QTY ELEC
		1 2 3 4		
1	1018710-01	ACCELERATOR PEDAL ADJUSTMENT TOOL	1	1
2	1016985	ADHESION PROMOTER - ARMORFLEX®	1	1
3	1018132-02	ADHESIVE, GUIDE RING, 3 GRAM TUBE		1
4	1017295	ARMORFLEX REPAIR KIT	1	1
5	1018319-01	BATTERY DISCHARGE MACHINE, 36/48 VOLT		1
6	1014305	BATTERY TERMINAL PROTECTOR SPRAY	1	1
7	1011767	BATTERY THERMOMETER		1
8	1016417	BEARING AND OIL SEAL REMOVER ASSEMBLY	1	1
9	1016416	BEARING DRIVER SET	1	1
10	1012811	BEARING PULLER	1	1
11	1012812	BEARING PULLER WEDGE ATTACHMENT	1	1
12	1018871-01	CALIBRATION TEST MODULE		1
13	1018084-01	CAM INSTALLATION TOOL	1	
	1014510	CLUTCH TOOL KIT (INCLUDES ITEMS 14 - 20)	1	
14	1014498	CLUTCH ALIGNMENT TOOL	1	
15	1014496	DRIVE CLUTCH PULLER	1	
16	1014497	CLUTCH DRIVE HUB PULLER	1	
17	1014508	DRIVEN CLUTCH CAM PULLER	1	
18	1014507	DRIVEN CLUTCH PULLER PLUG	1	
19	1015524	DRIVE CLUTCH HOLDER TOOL ASSEMBLY	1	
20	1018091-01	PRESS WELDMENT	1	
21	1018318-01	COMMUNICATION DISPLAY MODULE		1
22	1016410-02	COMPRESSION GAUGE AND ADAPTER	1	
23	1011273	CONTINUITY TESTER	1	1
24	1012151	DRY MOLY LUBRICANT	1	1
25	1016627	FLY WHEEL PULLER KIT	1	
26	1016418	GEAR YOKE	1	1
		PLEASE REFER TO THE MAINTENANCE AND SERVICE MANUAL FOR PROPER TOOL APPLICATION.		



**1
G
E**



MAINTENANCE AND SERVICE TOOLS

ITEM	PART NO.	DESCRIPTION	QTY GAS	QTY ELEC
		1 2 3 4		
28	1019331-01	GOVERNOR SHAFT INSTALLATION TOOL	1	
29	1011478	HYDROMETER	1	1
30	1013593	INTERNAL RETAINING RING PLIERS	1	1
31	1019287-01	LIQUID GASKET (TRANSAXLE CASE)	1	
32	1016414	PISTON RING COMPRESSOR KIT	1	
33	1016415	PISTON RING PLIERS	1	
34	1012549	RETAINING RING PLIERS - 45° EXTERNAL	1	1
35	1012560	RETAINING RING PLIERS - 90° INTERNAL	1	1
36	1018231-01	SAFETY FIRST CARD (50 PER PACK)	1	1
37	1012809	SEAL PULLER	1	1
38	1016867	STARTER/GENERATOR BELT TENSION TOOL	1	
39	1014264	STEERING COLUMN BEARING PRESS TOOL	1	1
40	1014259	STEERING COLUMN RETAINING RING TOOL	1	1
41	1016112	TACHOMETER	1	
42	N/A	TOUCH-UP PAINT, LACQUER - BEIGE	1	1
42	N/A	TOUCH-UP PAINT, LACQUER - WHITE	1	1
42	N/A	TOUCH-UP PAINT, LACQUER - GREY	1	1
42	N/A	TOUCH-UP PAINT, LACQUER - RED	1	1
42	N/A	TOUCH-UP PAINT, LACQUER - DARK BLUE	1	1
42	N/A	TOUCH-UP PAINT, LACQUER - DARK GREEN	1	1
43	1014115	TRANSMISSION TOOL KIT	1	
44	1014161	TRANSAXLE PINION SEAL TOOL	1	1
45	1014162	TRANSAXLE AXLE SEAL TOOL	1	1
46	1016413	VALVE CLEARANCE ADJUSTER SCREW HOLDER	1	
47	1016412-01	VALVE GUIDE REAMER (INCLUDES ITEM 48).....	1	
48	1016412-02	ARBOR	1	
49	1016551	VALVE SEAT CUTTER T-WRENCH	1	
50	1016552	VALVE SEAT CUTTER GUIDE	1	
51	1016553	VALVE SEAT CUTTER, 45° (32MM DIAMETER)	1	
52	1016554	VALVE SEAT CUTTER, 32° AND 45° (35MM DIAMETER)	1	
53	1016411-01	VALVE SPRING COMPRESSOR	1	
54	1011480	VOLT OHM METER	1	1
55	1016110-02	TUNE-UP KIT (FE 290) (INCLUDES AIR FILTER, SPARK PLUG, OIL FILTER, FUEL FILTERS) (NOT SHOWN)	1	
PLEASE REFER TO THE MAINTENANCE AND SERVICE MANUAL FOR PROPER TOOL APPLICATION.				

1
G
E

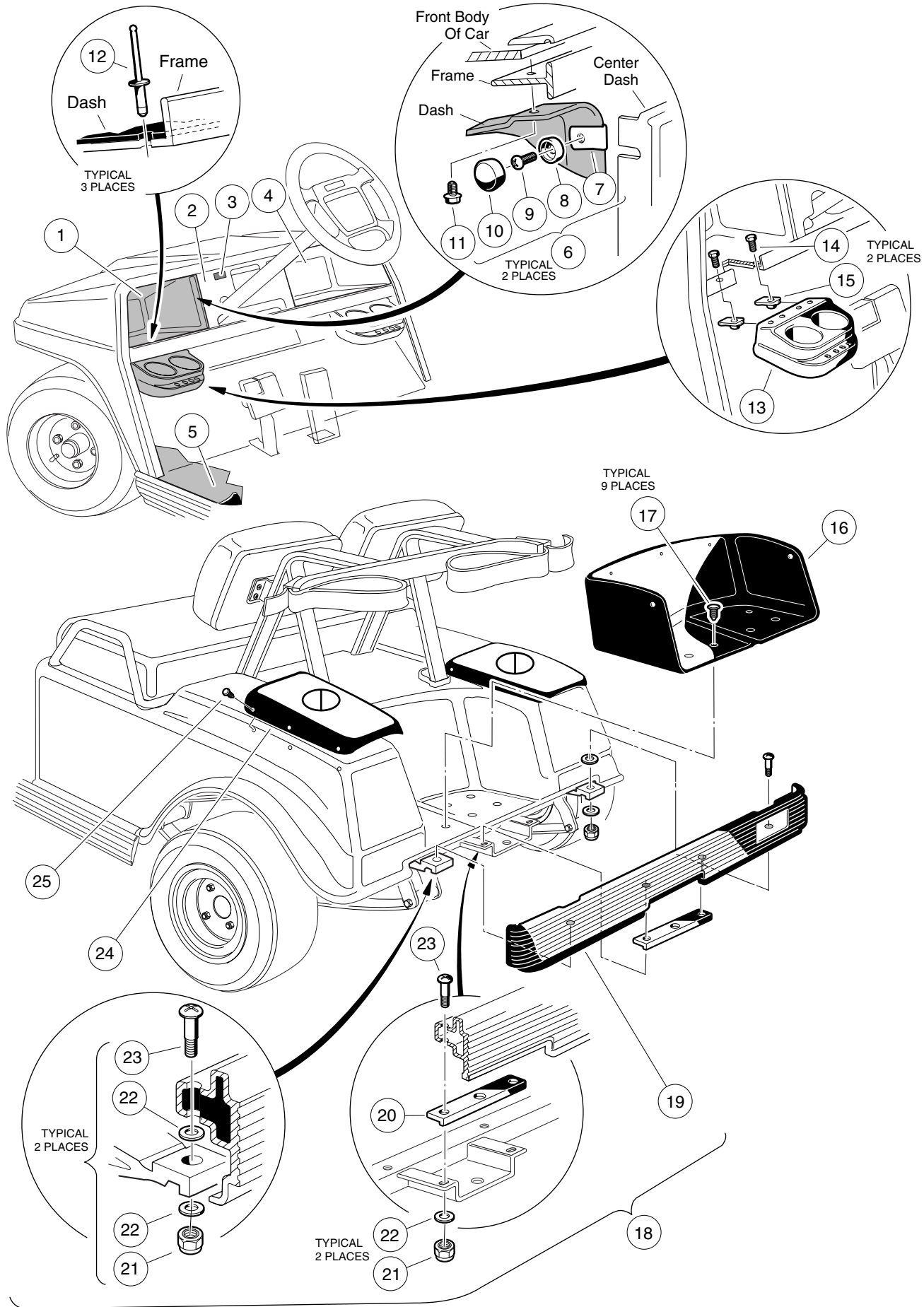
1
G
E

BODY AND TRIM

2

G

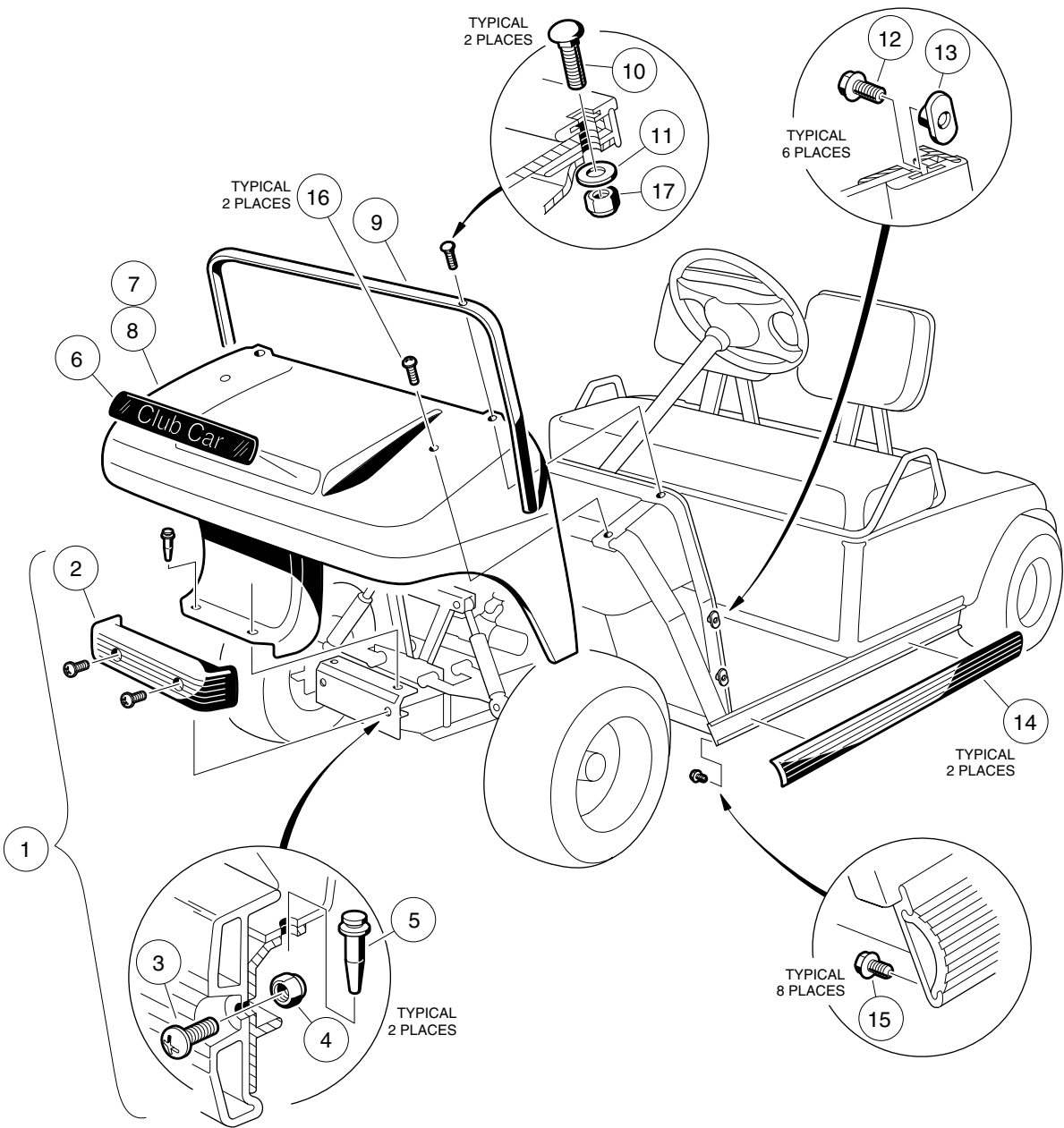
E



BODY TRIM

ITEM	PART NO.	DESCRIPTION	QTY GAS	QTY ELEC
		1 2 3 4		
1	1013344	COMPONENT, LEFT DASH, BLACK	1	1
2	1016604-04	PANEL, CENTER DASH, BLACK	1	1
3	1018026-01	PLUG, HOLE (V-GLIDE 36 VOLT VEHICLE ONLY)		1
4	1013343	COMPONENT, RIGHT DASH, BLACK	1	1
5	1015032	MAT, FLOOR	1	1
6	1014645	KIT, SNAP WASHER, BLACK (INCLUDES ITEMS 7 - 10)	2	2
7	N/A	NUT, SPEED	1	1
8	N/A	WASHER, #10	1	1
9	N/A	SCREW, #10 SHEET METAL	1	1
10	N/A	COVER, SCREW HEAD	1	1
11	1011017	SCREW, FLANGE LOCK	2	2
12	0007973	RIVET, ALUMINUM POP, 3/16	3	3
13	1017083-01	KIT, DRINK HOLDER (INCLUDES ITEMS 14 AND 15)	2	2
14	0007847	BOLT, HEX HEAD, 1/4 - 20 x 3/4	2	2
15	1016952	NUT, "U", 1/4 - 20	2	2
16	1017682-02	KIT, BAGWELL PROTECTOR (INCLUDES ITEM 17)	1	1
17	1010434	FASTENER, PLASTIC BARREL	9	9
18	1017079	KIT, REAR BUMPER (INCLUDES ITEMS 19 - 23)	1	1
19	1016379	BUMPER, REAR	1	1
20	1016875	PLATE, MOUNTING, LONG	1	1
21	0007473	NUT, NYLON LOCK, 5/16 - 18	4	4
22	1011697	WASHER, SPECIAL, 5/16	6	6
23	1016876	BOLT, PHILLIPS TRUSS HEAD SHOULDER, 3/8 - 18 x 2	4	4
24	1017067-02	KIT, SCUFF GUARD (INCLUDES ITEM 25)	1	1
25	1010434	FASTENER, PLASTIC BARREL	12	12

2
G
E



FRONT BODY

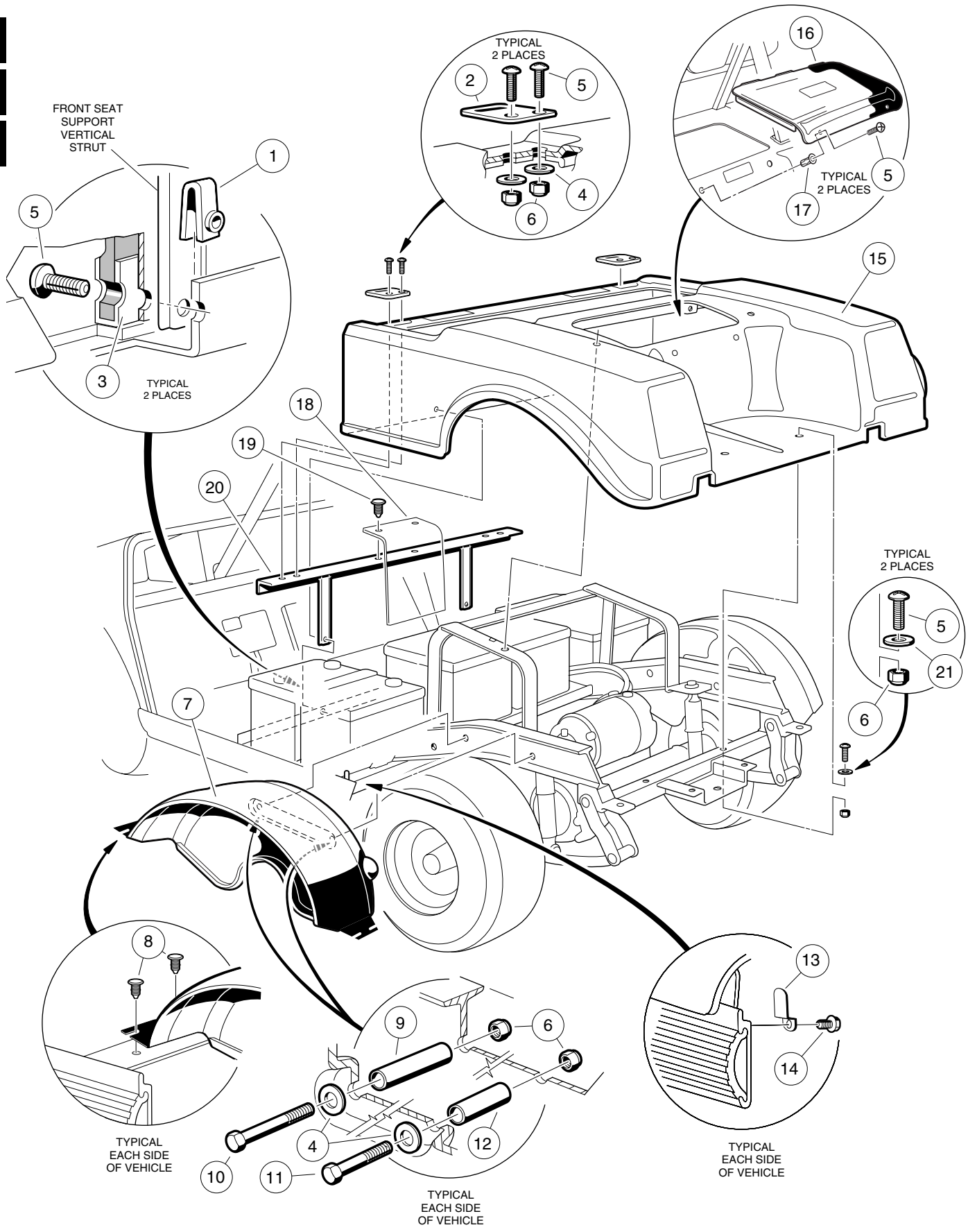
2
G
E

ITEM	PART NO.	DESCRIPTION	QTY GAS	QTY ELEC
		1 2 3 4		
1	1017080	KIT, FRONT BUMPER (INCLUDES ITEMS 2 - 5)	1	1
2	1016868	BUMPER, FRONT	1	1
3	0007251	SCREW, PHILLIPS TRUSS HEAD, 5/16 - 18 x 1	2	2
4	0007473	NUT, NYLON LOCK, 5/16 - 18	2	2
5	1016967	RIVET, PUSH TYPE BLIND	2	2
6	1014198	NAMEPLATE - GOLD	1	1
7	1016925-01	BODY, FRONT - BEIGE	1	1
7	1016925-02	BODY, FRONT - WHITE	1	1
7	1016925-04	BODY, FRONT - GRAY	1	1
7	1016925-06	BODY, FRONT - RED	1	1
7	1016925-09	BODY, FRONT - DARK BLUE	1	1
7	1016925-10	BODY, FRONT - DARK GREEN	1	1
8	1016939-01	BODY, FRONT WITH HEADLIGHT OPENING - BEIGE	1	1
8	1016939-02	BODY, FRONT WITH HEADLIGHT OPENING - WHITE	1	1
8	1016939-04	BODY, FRONT WITH HEADLIGHT OPENING - GRAY	1	1
8	1016939-06	BODY, FRONT WITH HEADLIGHT OPENING - RED	1	1
8	1016939-08	BODY, FRONT WITH HEADLIGHT OPENING - DARK BLUE	1	1
8	1016939-09	BODY, FRONT WITH HEADLIGHT OPENING - DARK GREEN	1	1
9	1011014	TRIM, FRONT BODY	1	1
10	1010435	BOLT, CARRIAGE, 5/16 - 18 x 1	2	2
11	0001241	WASHER, FLAT, 5/16	2	2
12	1011017	SCREW, FLANGE LOCK	6	6
13	1011394	NUT, SLAB BASE "T" (PACKAGE OF 4)	1	1
14	1013475-01	BUMPER, SIDE GUARD TRIM	2	2
15	1012047	SCREW, SELF-TAPPING, #8 - 32 x 3/8	8	8
16	0007251	SCREW, PHILLIPS TRUSS HEAD, 5/16 - 18 x 1	2	2
17	0007473	NUT, NYLON LOCK, 5/16 - 18	2	2

REAR BODY AND FENDER - GASOLINE VEHICLE

ITEM	PART NO.	DESCRIPTION	QTY GAS	QTY ELEC
		1 2 3 4		
1	0008251	SCREW, PHILLIPS HEAD, 1/4 - 20 x 1	10	
2	1019041-01	PLATE, BODY KICK	1	
3	1016952	U-NUT, 1/4 - 20	2	
4	1012412	PLATE, BODY HINGE	2	
5	0000332	WASHER, FLAT, 1/4	8	
6	0008233	NUT, NYLON LOCK, 1/4 - 20	10	
7	1015829-02	ASSEMBLY, ACCESS DOOR - BLACK	1	
7	1015829-01	ASSEMBLY, ACCESS DOOR - BEIGE	1	
8	1015525	NUT, BLIND, 1/4 - 20	2	
9	N/A	INSULATION, SOUND, FRONT	1	
10	N/A	INSULATION, SOUND, LEFT SIDE BODY	1	
11	N/A	INSULATION, SOUND, BODY LEFT / RIGHT FENDER	2	
12	1016926-01	BODY - BEIGE	1	
12	1016926-02	BODY - WHITE	1	
12	1016926-04	BODY - GRAY	1	
12	1016926-06	BODY - RED	1	
12	1016926-09	BODY - DARK BLUE	1	
12	1016926-10	BODY - DARK GREEN	1	
12	1016962-08	BODY WITH TAILLIGHT OPENING - BEIGE	1	
12	1016962-09	BODY WITH TAILLIGHT OPENING - WHITE	1	
12	1016962-11	BODY WITH TAILLIGHT OPENING - GRAY	1	
12	1016962-13	BODY WITH TAILLIGHT OPENING - RED	1	
12	1016962-15	BODY WITH TAILLIGHT OPENING - DARK BLUE	1	
12	1016962-16	BODY WITH TAILLIGHT OPENING - DARK GREEN	1	
13	N/A	INSULATION, SOUND, RIGHT SIDE FENDER - SHORT	1	
14	N/A	INSULATION, SOUND, LEFT SIDE FENDER - LONG	1	
15	1017141	SUPPORT, FRONT BODY	1	
16	1018962-01	KIT, FORWARD AND REVERSE SWITCH COVER (INCLUDES 2 OF ITEM 17)	1	
17	1010434	FASTENER, PLASTIC BARREL	2	
18	1017748	CLIP, BODY KEEPER	2	
19	1012047	SCREW, SELF-TAPPING, #8 - 32 x 3/8	2	
20	0000304	SCREW, HEX HEAD CAP, 1/4 - 20 x 1	4	
21	1010434	BARREL, PLASTIC	4	
22	1017936	FENDER, INNER	2	
23	1014306	WASHER, FLAT, TYPE B, 1/4	2	

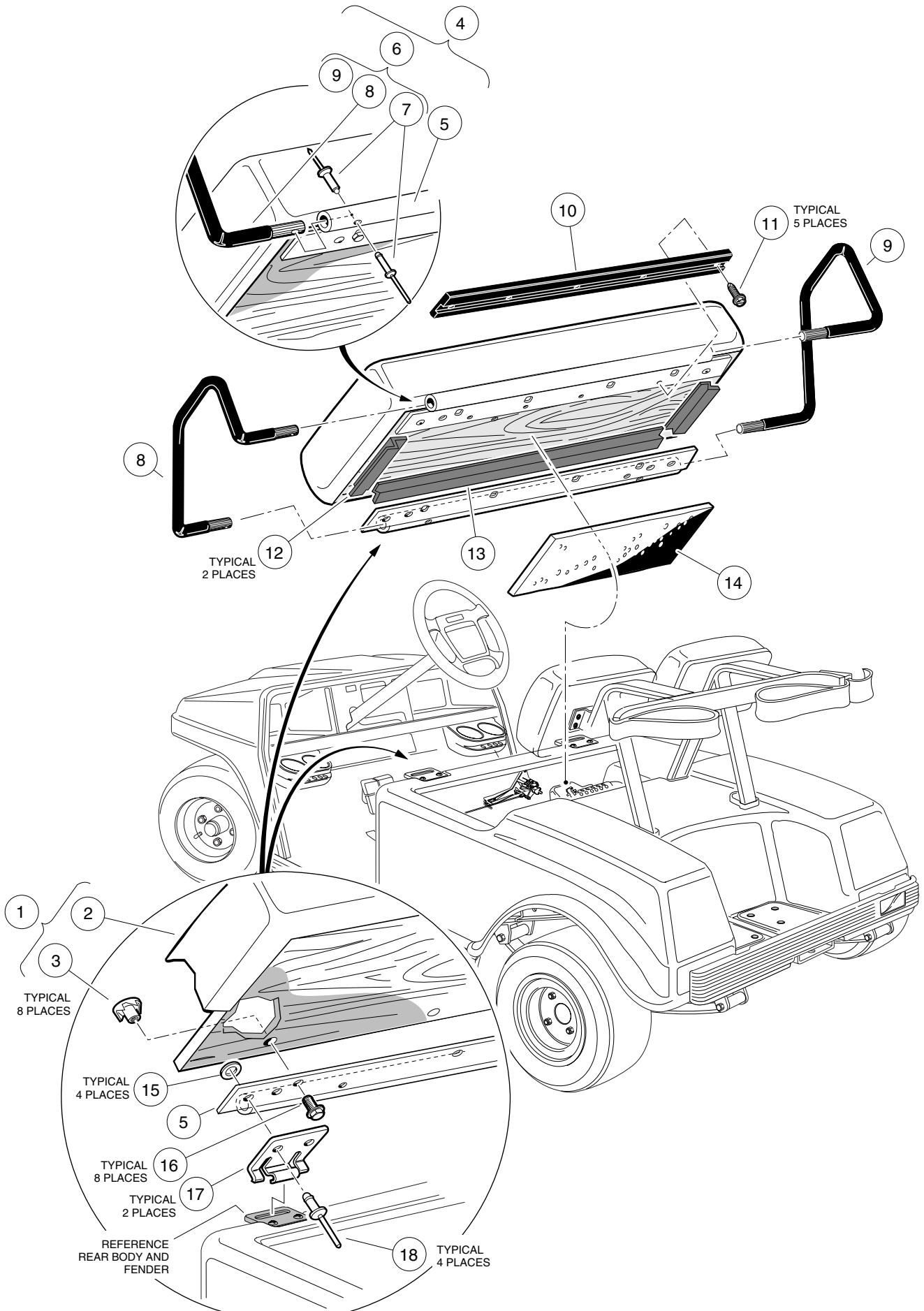
2
G
E



REAR BODY AND FENDER - ELECTRIC VEHICLE

ITEM	PART NO.	DESCRIPTION	QTY GAS	QTY ELEC
		1 2 3 4		
1	1016952	NUT, "U", 1/4 - 20		2
2	1012412	PLATE, BODY HINGE		2
3	1019041-01	PLATE, BODY KICK		1
4	0000332	WASHER, FLAT, 1/4		8
5	0008251	SCREW, PHILLIPS HEAD, 1/4 - 20 x 1		10
6	0008233	NUT, NYLON LOCK, 1/4 - 20		10
7	1017936	FENDER, INNER		2
8	1010434	FASTENER, PLASTIC BARREL		4
9	1017814	SPACER, 1 7/8		2
10	1012159	BOLT, HEX HEAD, 1/4 - 20 x 2 3/4		2
11	0007479	BOLT, HEX HEAD, 1/4 - 20 x 1 1/4		2
12	1017815	SPACER, 1/2		2
13	1017748	CLIP, BODY KEEPER		2
14	1012047	SCREW, SELF-TAPPING, #8 - 32		2
15	1016933-01	BODY - BEIGE		1
15	1016933-02	BODY - WHITE		1
15	1016933-04	BODY - GRAY		1
15	1016933-06	BODY - RED		1
15	1016933-09	BODY - DARK BLUE		1
15	1016933-10	BODY - DARK GREEN		1
15	1016962-01	BODY WITH TAILLIGHT OPENING - BEIGE		1
15	1016962-02	BODY WITH TAILLIGHT OPENING - WHITE		1
15	1016962-04	BODY WITH TAILLIGHT OPENING - GRAY		1
15	1016962-06	BODY WITH TAILLIGHT OPENING - RED		1
15	1016962-17	BODY WITH TAILLIGHT OPENING - DARK BLUE		1
15	1016962-18	BODY WITH TAILLIGHT OPENING - DARK GREEN		1
16	1013032	DOOR, ACCESS - BLACK		1
16	1013140	DOOR, ACCESS - BEIGE		1
17	1015525	NUT, BLIND, 1/4 - 20		2
18	1018962-01	KIT, FORWARD AND REVERSE SWITCH COVER (INCLUDES 2 OF ITEM 19)		1
19	1010434	FASTENER, PLASTIC BARREL		2
20	1017141	SUPPORT, FRONT BODY		1
21	1014306	WASHER, FLAT, TYPE B, 1/4		2

2
G
E



SEAT BOTTOM AND ARMREST

ITEM	PART NO.	DESCRIPTION	QTY GAS	QTY ELEC
		1 2 3 4		
1	1015648-04	ASSEMBLY, SEAT BOTTOM - BUFF (INCLUDES ITEMS 2 AND 3)	1	1
1	1015648-05	ASSEMBLY, SEAT BOTTOM - WHITE (INCLUDES ITEMS 2 AND 3)	1	1
1	1015648-07	ASSEMBLY, SEAT BOTTOM - GRAY (INCLUDES ITEMS 2 AND 3)	1	1
1	1015648-08	ASSEMBLY, SEAT BOTTOM - BLACK (INCLUDES ITEMS 2 AND 3)	1	1
2	1015627-01	COVER, VINYL SEAT BOTTOM - BUFF	1	1
2	1015627-02	COVER, VINYL SEAT BOTTOM - WHITE	1	1
2	1015627-04	COVER, VINYL SEAT BOTTOM - BLACK	1	1
2	1015627-10	COVER, VINYL SEAT BOTTOM - GRAY	1	1
3	1010543	INSERT, WOOD	8	8
4	1015670	ASSEMBLY, SEAT BOTTOM AND ARMREST (INCLUDES ITEMS 5 - 9)	1	1
5	1015625	BRACKET, SEAT SUPPORT	2	2
6	1019511-01	KIT, ARMREST (INCLUDES ITEMS 7 - 9)	1	1
7	1018809-01	RIVET, MATING, 3/16	8	8
8	N/A	ASSEMBLY, ARMREST, LEFT	1	1
9	N/A	ASSEMBLY, ARMREST, RIGHT	1	1
10	1012597	BUMPER, SEAT	1	1
11	1017384	SCREW, WASHER HEAD TAP, #12	5	5
12	1012656	GASKET, SEAT, SHORT (GASOLINE VEHICLE ONLY)	2	
13	1012657	GASKET, SEAT, LONG (GASOLINE VEHICLE ONLY)	1	
14	N/A	INSULATION, SOUND (GASOLINE VEHICLE ONLY)	1	
15	1018817-01	WASHER, FLAT, STAINLESS STEEL, #8	4	4
16	0000304	SCREW, HEX HEAD CAP, 1/4 - 20 x 1	8	8
17	1011652	PLATE, SEAT HINGE, STAINLESS STEEL	2	2
18	1018809-01	RIVET, POP, STAINLESS STEEL, 3/16	4	4

2
G
E

SEAT BACK AND BAG HOOP

ITEM	PART NO.	DESCRIPTION	QTY GAS	QTY ELEC
		1 2 3 4		
1	1015651-02	ASSEMBLY, SEAT BACK - WHITE (INCLUDES ITEMS 2 AND 3)	2	2
1	1015651-05	ASSEMBLY, SEAT BACK - BUFF (INCLUDES ITEMS 2 AND 3)	2	2
1	1015651-06	ASSEMBLY, SEAT BACK - GRAY (INCLUDES ITEMS 2 AND 3)	2	2
1	1015651-07	ASSEMBLY, SEAT BACK - BLACK (INCLUDES ITEMS 2 AND 3)	2	2
2	1013335	CAP, SEAT BACK - BLACK	2	2
3	1015626-01	COVER, VINYL, SEAT BACK - BUFF	2	2
3	1015626-02	COVER, VINYL, SEAT BACK - WHITE	2	2
3	1015626-04	COVER, VINYL, SEAT BACK - BLACK	2	2
3	1015626-05	COVER, VINYL, SEAT BACK - GRAY	2	2
4	1017409	MOUNT, SEAT BACK	2	2
5	1019462-01	WASHER, EXTERNAL TOOTH LOCK, 1/4	8	8
6	0008248	SCREW, PHILLIPS TRUSS HEAD, 1/4 - 20 x 3/4	8	8
7	0008233	NUT, NYLON LOCK, 1/4 - 20	6	6
8	0007847	SCREW, HEX HEAD, 1/4 - 20 x 3/4	6	6
9	0000332	WASHER, FLAT, 1/4	8	8
10	0008935	SCREW, CAP HEX HEAD, 5/16 - 18 x 2 1/4	2	2
11	1015075	WASHER, FLAT, 5/16	4	4
12	0007473	NUT, NYLON LOCK, 5/16 - 18	4	4
13	1013884	SPACER, BAG HOOP	2	2
14	1013935	ASSEMBLY, BAG HOOP (INCLUDES ITEMS 15 - 17)	1	1
15	1010434	FASTENER, PLASTIC BARREL	2	2
16	1010413	STRAP, BAG	1	1
17	1013754	BUCKLE, BAG STRAP	2	2
18	1011708	SUPPORT, SEAT BACK, MAIN	2	2
19	1011710	ASSEMBLY, KNEE BRACE WELDMENT	2	2
20	1017234	FASTENER, PLASTIC BARREL - GRAY	4	4
21	1011706	PAD, MOUNTING, SEAT BACK SUPPORT	2	2
22	1017072-06	KIT, SWEATER BASKET (INCLUDES ITEMS 23 - 27)	1	1
23	0008418	SCREW, PHILLIPS TRUSS HEAD, 1/4 - 20 x 1 1/2	1	1
24	1015075	WASHER, FLAT, 5/16	4	4
25	1014482	SPACER, NYLON	1	1
26	0008233	NUT, NYLON LOCK, 1/4 - 20	3	3
27	0000304	BOLT, HEX HEAD, 1/4-20 x 1	2	2
28	0001241	WASHER, FLAT, 5/16	2	2
29	0007818	BOLT, CARRIAGE, 5/16 - 18 x 1 1/2	2	2
30	1019104-01	SCREW, SELF-TAPPING, 5/16 - 18 x 1 1/4	4	4
31	1017774	SPACER, BODY	4	4

2
G
E

2

G

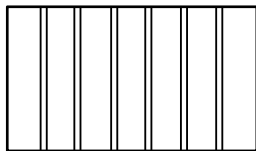
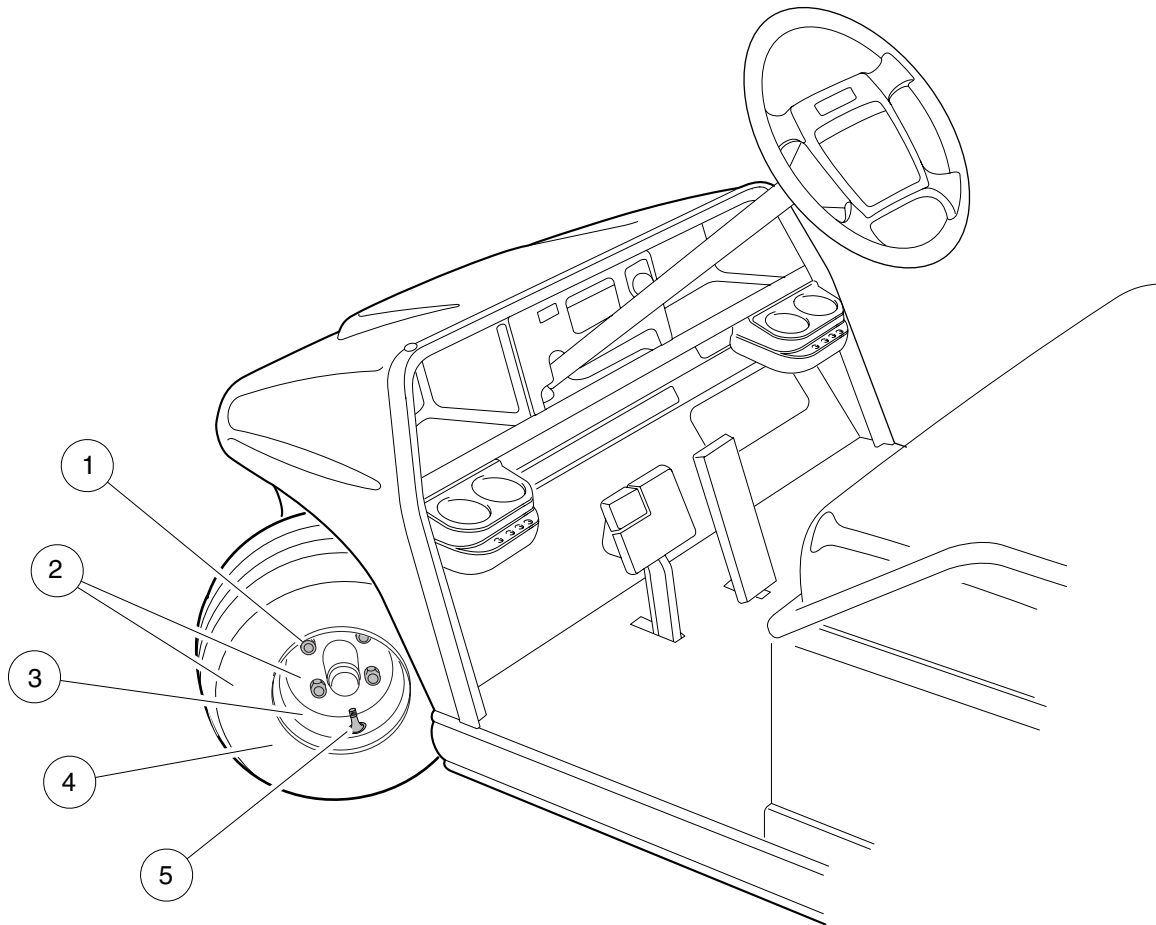
E

WHEELS AND TIRES

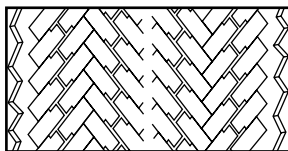
3

G

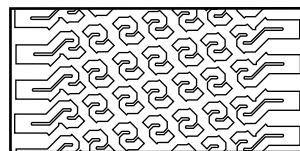
E



STANDARD
TREAD



PREMIUM
TREAD



EXTRA
TRACTION

WHEELS AND TIRES

ITEM	PART NO.	DESCRIPTION	QTY GAS	QTY ELEC
		1 2 3 4		
1	1010984	NUT, LUG	16	16
2	1015705-01	ASSEMBLY, BEIGE WHEEL AND STANDARD TREAD TIRE (18 x 8.5 - 8)	4	4
2	1015705-02	ASSEMBLY, BEIGE WHEEL AND PREMIUM TREAD TIRE (18 x 8.5 - 8)	4	4
2	N/A	ASSEMBLY, BEIGE WHEEL AND PREMIUM TREAD TIRE, WHITE WALL (18 x 8.5 - 8)	4	4
2	1015705-07	ASSEMBLY, BEIGE WHEEL AND EXTRA TRACTION TIRE, 6 PLY (18 x 8.5 - 8)	4	4
2	1016514-01	ASSEMBLY, WHITE WHEEL AND STANDARD TREAD TIRE (18 x 8.5 - 8)	4	4
2	1016514-02	ASSEMBLY, WHITE WHEEL AND PREMIUM TREAD TIRE (18 x 8.5 - 8)	4	4
2	N/A	ASSEMBLY, WHITE WHEEL AND PREMIUM TREAD TIRE, WHITE WALL (18 x 8.5 - 8)	4	4
2	1016514-07	ASSEMBLY, WHITE WHEEL AND EXTRA TRACTION TIRE, 6 PLY (18 x 8.5 - 8)	4	4
3	1015707	WHEEL RIM, BEIGE	4	4
3	1014771	WHEEL RIM, WHITE	4	4
4	0007271-02	TIRE, UNMOUNTED, STANDARD TREAD (18 x 8.5 - 8)	4	4
4	1015672-02	TIRE, UNMOUNTED, PREMIUM TREAD (18 x 8.5 - 8)	4	4
4	1017693-02	TIRE, UNMOUNTED, EXTRA TRACTION, 6 PLY (18 x 8.5 - 8)	4	4
5	0007310	STEM, VALVE	4	4

3
G
E

3

G

E

SAFETY DECALS

4

G

E

**DRIVER / PASSENGER
WARNING DECAL**

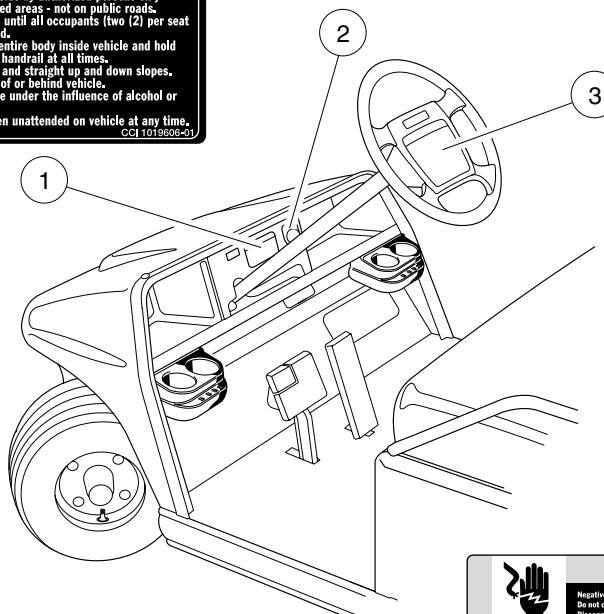
⚠ WARNING

READ AND FOLLOW THESE WARNINGS AND THE OPERATING INSTRUCTIONS BEFORE USING VEHICLE. FAILURE TO DO SO CAN CAUSE SEVERE INJURY OR DEATH.

- Operate from driver side by authorized persons only and only in designated areas - not on public roads.
- DO NOT start vehicle until all occupants (two (2) per seat maximum) are seated.
- Remain seated with entire body inside vehicle and hold on to seat handle or handrail at all times.
- Drive slowly in turns and straight up and down slopes.
- Never stand in front of or behind vehicle.
- DO NOT operate while under the influence of alcohol or drugs.
- DO NOT leave children unattended on vehicle at any time.

CCI 1019606-01

KEY SWITCH



OPERATING INSTRUCTIONS

- Read Owner's Manual and safety warnings located on dash panel prior to driving.
 - Study and understand controls.
 - Make sure wheels are turned in desired direction.
 - Turn key to "ON" position and be sure nothing is in your path.
 - While vehicle is stopped, select direction by placing shift lever or switch in desired position:
F – Forward N – Neutral R – Reverse (Buzzer will sound)
 - Vehicle will start moving when accelerator pedal is depressed.
 - Slowly depress accelerator pedal to increase speed. Park brake will release when accelerator pedal is depressed.
 - To stop, release accelerator pedal and depress brake pedal.
 - After stopping, firmly depress park brake until it locks.
 - Place forward and reverse switch in neutral position. Turn key "OFF" and remove key when not in use.
- CCI 1016216-01

**OPERATING INSTRUCTIONS
DECAL**

	⚠ WARNING Negative frame ground. Can cause severe injury. Do not contact positive (+) battery post or cable to frame. Disconnect negative battery lead first.		⚠ WARNING Excessive speed. Can cause severe injury or death. Do not tamper with engine governor adjustment.
--	---	--	---

CCI 1019610-01

**FRAME GROUND AND
GOVERNOR WARNING DECAL
(ON VEHICLE FRAME NEAR BATTERY)**

⚠ WARNING

- GASOLINE EXPLOSION / FIRE.
- CAN CAUSE SEVERE INJURY OR DEATH.
- NO SMOKING, SPARKS, OR OPEN FLAME.
- STOP ENGINE, ALLOW TO COOL BEFORE REFUELING.

CCI 1015476-01

**GASOLINE WARNING DECAL
(ON VEHICLE FRAME NEAR FUEL TANK)**

⚠ WARNING

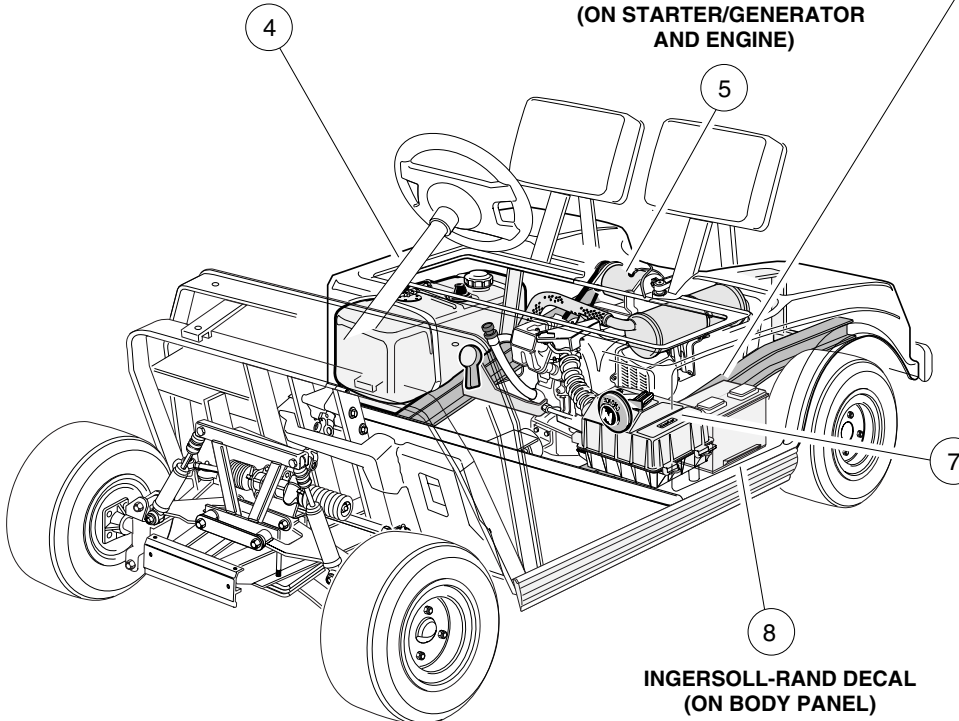
CAN CAUSE SEVERE INJURY

Moving parts

HOT manifold & muffler

KEEP CLEAR CCI 1019605-01

**MOVING PARTS AND
HOT MANIFOLD DECAL
(ON STARTER/GENERATOR
AND ENGINE)**



**PERIODIC SERVICE DECAL
(ON AIR INTAKE BOX)**

Periodic Service Schedule	
Service	Regular Interval
1. Check Engine Oil Level	Monthly
2. Change Engine Oil and Filter	First 100 Hours * Then One Year or 200 hours.
3. Check and Clean Air Filter Element [†]	One Year Under Normal Use Six Months Under Dusty Conditions
4. Change Air Filter [†]	* Two Years or 300 Hours
5. Check Tire Pressure	Monthly (See Manual)
6. Replace Fuel Filters	* Two Years or 300 Hours
7. Check / Fill Transaxle	* One Year or 150 Hours

* Whichever comes first
† For easy access to air filter housing, remove the intake hose from the front of the housing.

**INGERSOLL-RAND DECAL
(ON BODY PANEL)**

SAFETY DECALS - GASOLINE VEHICLE

ITEM	PART NO.	DESCRIPTION	QTY GAS	QTY ELEC
		1 2 3 4		
1	1019606-01	DECAL, DRIVER/PASSENGER WARNING	1	
2	1018251-01	DECAL, KEY SWITCH	1	
3	1016216-01	DECAL, OPERATING INSTRUCTIONS	1	
4	1015476-01	DECAL, GASOLINE DANGER	1	
5	1019605-01	DECAL, HOT MANIFOLD WARNING	2	
6	1019152-01	DECAL, NEGATIVE FRAME GROUND WARNING	1	
7	1019443-01	DECAL, PERIODIC SERVICE SCHEDULE	1	
8	1019524-01	DECAL, INGERSOLL-RAND	2	

4
G
E

**DRIVER / PASSENGER
WARNING DECAL**

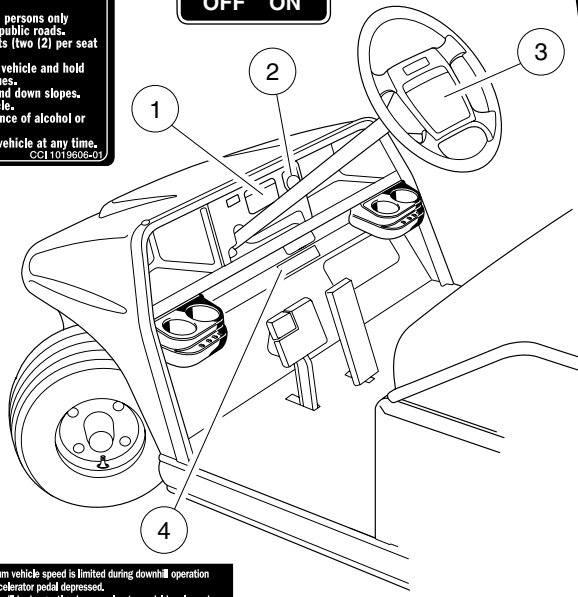
⚠ WARNING

READ AND FOLLOW THESE WARNINGS AND THE OPERATING INSTRUCTIONS BEFORE USING VEHICLE. FAILURE TO DO SO CAN CAUSE SEVERE INJURY OR DEATH.

- Operate from driver side by authorized persons only and only in designated areas - not on public roads.
- DO NOT start vehicle until all occupants (two (2) per seat maximum) are seated.
- Remain seated with entire body inside vehicle and hold on to seat handle or handrail at all times.
- Drive slowly in turns and straight up and down slopes.
- Never stand in front of or behind vehicle.
- DO NOT operate while under the influence of alcohol or drugs.
- DO NOT leave children unattended on vehicle at any time.

CCI 1019806-01

KEY SWITCH



OPERATING INSTRUCTIONS

- Read Owner's Manual and safety warnings located on dash panel prior to driving.
 - Study and understand controls.
- Make sure wheels are turned in desired direction.
- Turn key to "ON" position and be sure nothing is in your path.
- While vehicle is stopped, select direction by placing shift lever or switch in desired position:
 - F - Forward N - Neutral R - Reverse (Buzzer will sound)
- Vehicle will start moving when accelerator pedal is depressed.
- Slowly depress accelerator pedal to increase speed. Park brake will release when accelerator pedal is depressed.
- To stop, release accelerator pedal and depress brake pedal.
- After stopping, firmly depress park brake until it locks.
- Place forward and reverse switch in neutral position. Turn key "OFF" and remove key when not in use.

CCI 1016216-01

**OPERATING INSTRUCTIONS
DECAL**

**IMPORTANT
NOTICE**

VEHICLE EQUIPPED TO LIMIT DOWNHILL SPEED

- Maximum vehicle speed is limited during downhill operation with accelerator pedal depressed.
 - Vehicle will brake gently when accelerator pedal is released.
 - System is activated only when tow switch is in the "RUN" position.
 - When towing vehicle, tow switch must be in the "TOW" position.
- CCI 1019599-01

**MOTOR BRAKING DECAL
(POWERDRIVE PLUS VEHICLES ONLY)**

**DANGER DECAL
(ON BODY UNDER SEAT)**

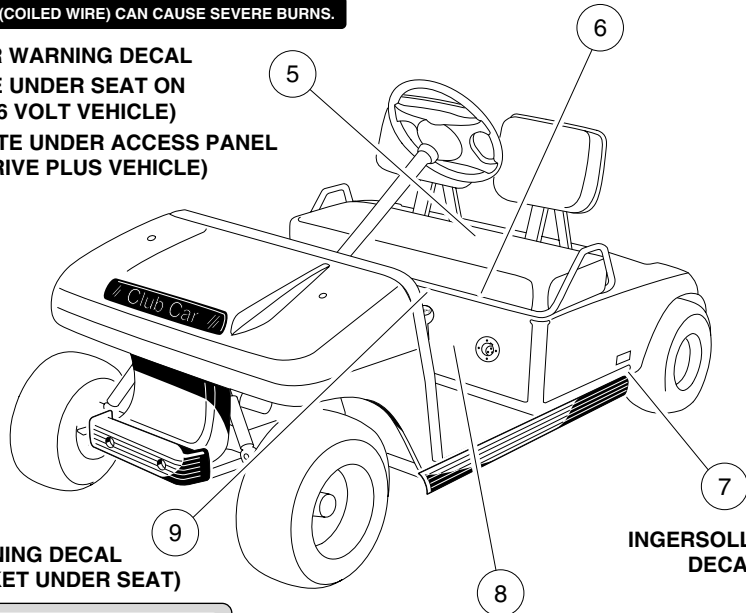
⚠ DANGER / POISON

EXPLOSIVE GASES CAN CAUSE BLINDNESS OR INJURY	SHIELD EYES	NO SPARKS, FLAMES, SMOKING	SULFURIC ACID CAN CAUSE BLINDNESS OR SEVERE BURNS	FLUSH EYES IMMEDIATELY WITH WATER. GET MEDICAL HELP FAST.
---	-------------	----------------------------	---	---

KEEP OUT OF THE REACH OF CHILDREN - DO NOT TIP - KEEP VENT CAPS TIGHT AND LEVEL

⚠ WARNING HOT RESISTORS (COILED WIRE) CAN CAUSE SEVERE BURNS.

**RESISTOR WARNING DECAL
(ON FRAME UNDER SEAT ON
V-GLIDE 36 VOLT VEHICLE)
(ON MOUNTING PLATE UNDER ACCESS PANEL
ON POWERDRIVE PLUS VEHICLE)**



**TOW SWITCH WARNING DECAL
(ON TOW SWITCH BRACKET UNDER SEAT)**

⚠ WARNING

TOW	RUN
------------	------------

PLACE TOW SWITCH IN "TOW" POSITION BEFORE:

- TOWING
- EXTENDED STORAGE
- SERVICING
- DISCONNECTING BATTERIES

FAILURE TO DO SO COULD RESULT IN DAMAGE TO VEHICLE OR BATTERY EXPLOSION.

CCI 1019086-01

(POWERDRIVE PLUS VEHICLES ONLY)

NOTICE

- DO NOT OPERATE VEHICLE WITHOUT COVER IN PLACE.
- DO NOT DIRECT WATER STREAM AT THIS SWITCH.

CCI 1016109-01

**POTENTIOMETER CAUTION DECAL
(ON WIPER SWITCH COVER INSIDE
BATTERY COMPARTMENT)**

**INGERSOLL-RAND
DECAL**

SAFETY DECALS - ELECTRIC VEHICLE

ITEM	PART NO.	DESCRIPTION	QTY GAS	QTY ELEC
		1 2 3 4		
1	1019606-01	DECAL, DRIVER/PASSENGER WARNING		1
2	1018251-01	DECAL, KEY SWITCH		1
3	1016216-01	DECAL, OPERATING INSTRUCTIONS		1
4	1019599-01	DECAL, MOTOR BRAKING (POWERDRIVE PLUS VEHICLE)		1
5	1013496	DECAL, RESISTOR WARNING (V-GLIDE 36 VOLT AND POWERDRIVE PLUS VEHICLES)		1
6	1013677	DECAL, BATTERY DANGER/POISON		1
7	1019524-01	DECAL, INGERSOLL-RAND		2
8	1016109-01	DECAL, POTENTIOMETER CAUTION		1
9	1019086-01	DECAL, TOW SWITCH (POWERDRIVE PLUS VEHICLE)		1

4
G
E

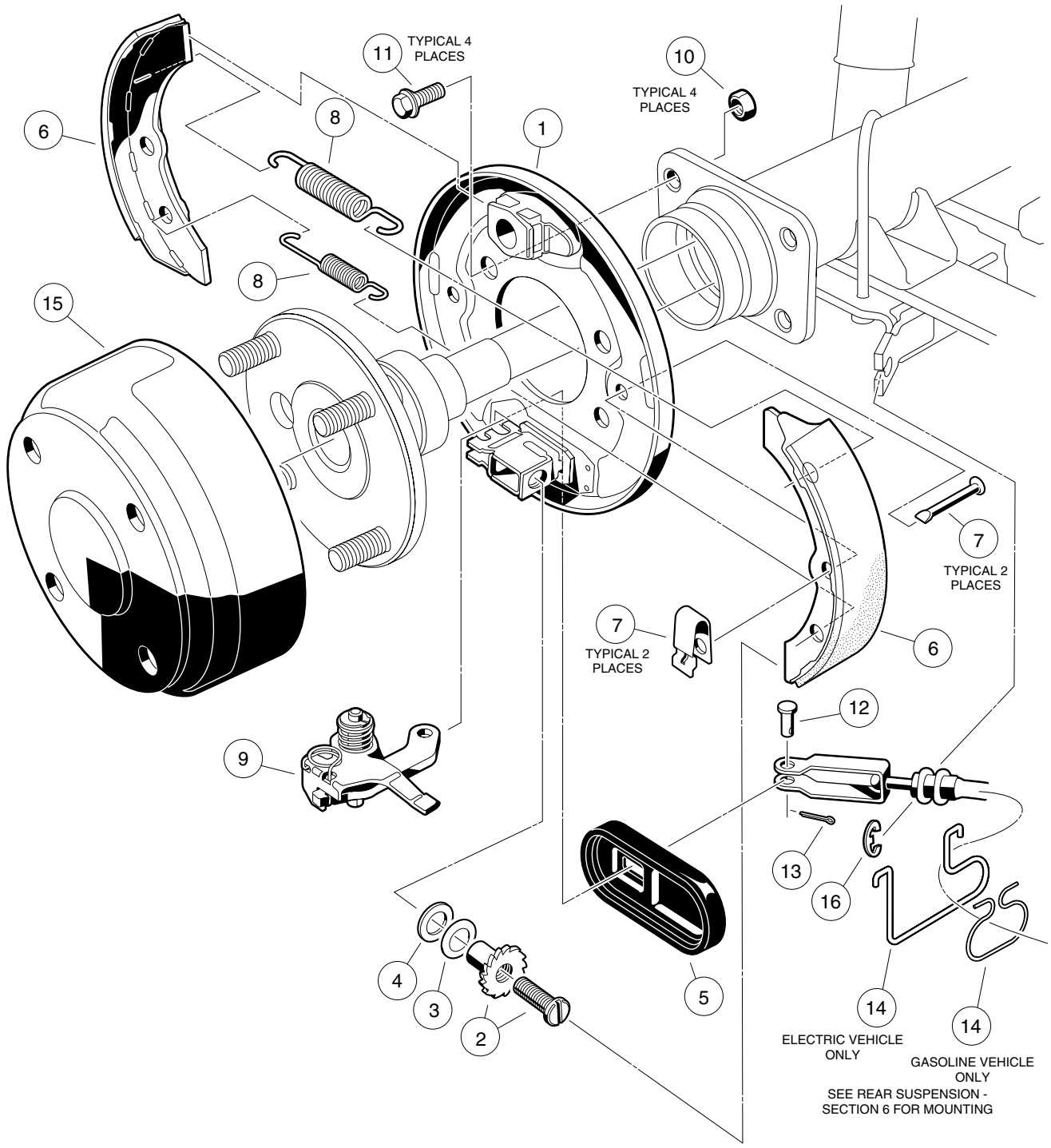
4
G
E

BRAKES, PEDAL, AND CABLE ASSEMBLIES

5

G

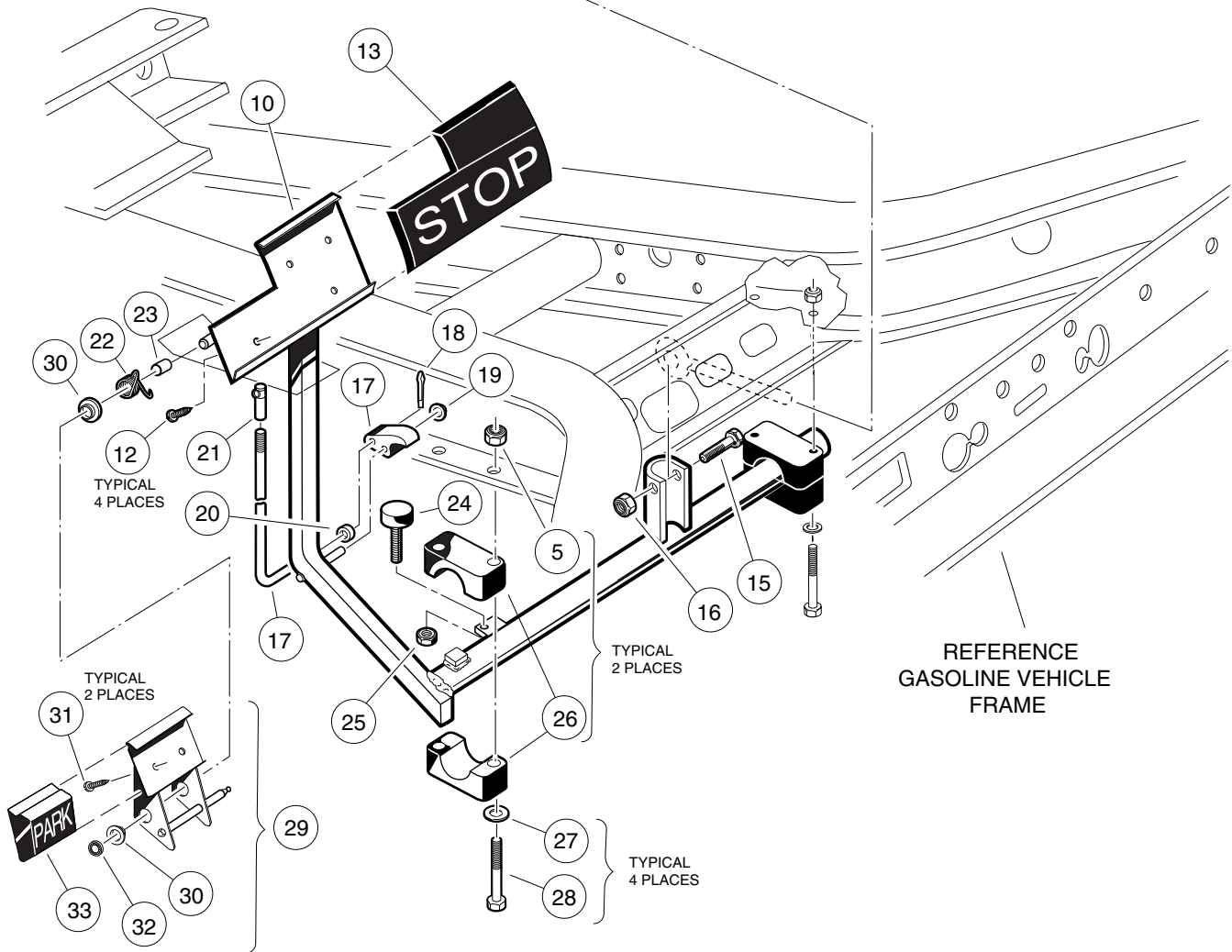
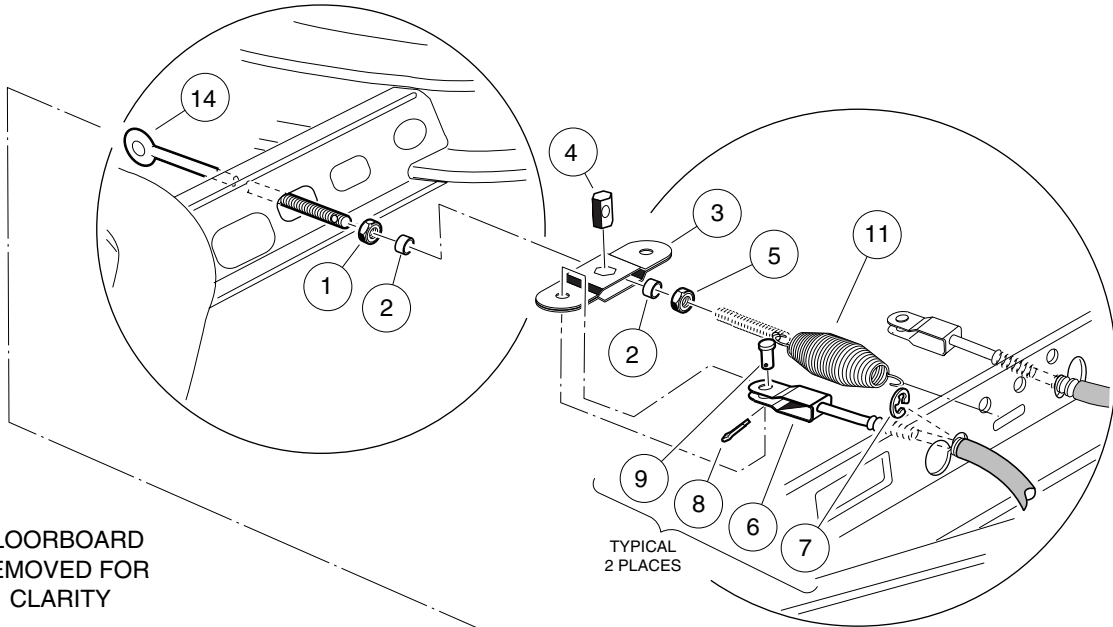
E



BRAKE ASSEMBLY

ITEM	PART NO.	DESCRIPTION	QTY GAS	QTY ELEC
		1 2 3 4		
	1018233-01	CLUSTER, RIGHT BRAKE (INCLUDES ITEMS 1 - 9)	1	1
	1018233-02	CLUSTER, LEFT BRAKE (INCLUDES ITEMS 1 - 9)	1	1
1	1018240-01	ASSEMBLY, BACKING PLATE, RIGHT (INCLUDES ITEMS 2, 3 AND 4)	1	1
1	1018240-02	ASSEMBLY, BACKING PLATE, LEFT (INCLUDES ITEMS 2, 3 AND 4)	1	1
2	1018165-01	MECHANISM, ADJUSTING, RIGHT	1	1
2	1018165-02	MECHANISM, ADJUSTING, LEFT	1	1
3	1018239-01	WASHER	1	1
4	1018238-01	WASHER, PLATE	1	1
5	1010850	COVER, DUST	1	1
6	1018232-01	PACKAGE, BRAKE SHOE (FOUR PIECES)	1	1
7	1011466	KIT, SHOE RETAINER (FOUR PIECES)	1	1
8	1018163-01	PACKAGE, BRAKE SPRING (FOUR PIECES)	1	1
9	1018155-01	ASSEMBLY, LEVER, RIGHT	1	1
9	1018155-02	ASSEMBLY, LEVER, LEFT	1	1
10	1013924	NUT, HEX HEAD LOCK, GRADE 8, 5/16 - 24	8	8
11	1014153	BOLT, BRAKE CLUSTER MOUNTING	8	8
12	1010829	PIN, CLEVIS, 5/16	2	2
13	0001035	PIN, COTTER, 3/32 x 1	2	2
14	1019008-01	HANGER, BRAKE CABLE (GASOLINE VEHICLE ONLY)	2	
14	1013207	HANGER, BRAKE CABLE (ELECTRIC VEHICLE ONLY)		2
15	1017911-01	DRUM, BRAKE	2	2
16	1011779	E-CLIP, 1/2	2	2

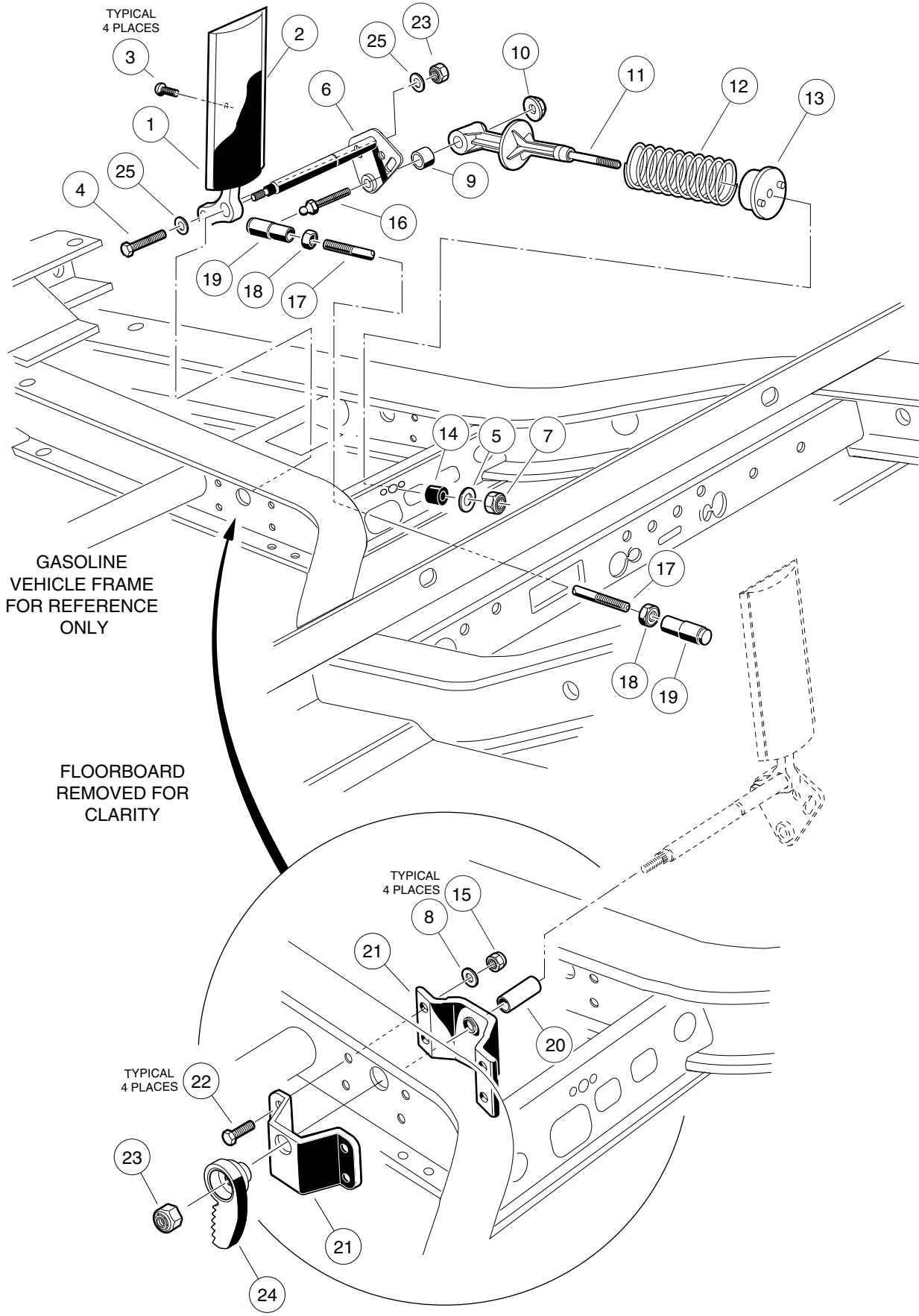
5
G
E



BRAKE PEDAL AND CABLE ASSEMBLY

ITEM	PART NO.	DESCRIPTION	QTY GAS	QTY ELEC
		1 2 3 4		
1	0001242	NUT, HEX, 5/16 - 18	1	1
2	1018653-01	SPACER, EQUALIZER	2	2
3	1017211	KIT, EQUALIZER AND PIVOT LIMITER (INCLUDES ITEM 4)	1	1
4	N/A	PIN, EQUALIZER PIVOT	1	1
5	0007473	NUT, NYLON LOCK, 5/16 - 18	1	1
6	1011403	KIT, BRAKE CABLE (INCLUDES ITEMS 7 - 9)	2	2
7	1011779	E-CLIP, 1/2	2	2
8	0001035	PIN, COTTER, 3/32 x 1	2	2
9	1010829	PIN, CLEVIS, 5/16	2	2
10	1019540-01	KIT, BRAKE PEDAL (INCLUDES ITEMS 11 - 16, 19 AND 32)	1	1
11	1013531	SPRING, BRAKE RETURN		1
12	0007716	SCREW, SLOTTED HEX WASHER HEAD, #10 - 16 x 1/2	4	4
13	1013869	PAD, BRAKE PEDAL	1	1
14	1019531-01	ROD, EQUALIZER	1	1
15	1019530-01	BOLT, HEX HEAD SHOULDER, 3/8 x 1	1	1
16	0007473	NUT, NYLON LOCK, 5/16 - 18	1	1
	1011877-02	KIT, PARK BRAKE (INCLUDES ITEMS 17-21 AND ITEM 24 ON PAGE 5-7).....	1	1
17	N/A	ROD AND PAWL	1	1
18	1017029	PIN, COTTER, 7/64 x 1/2	1	1
19	1010877	NUT, PUSH, 5/16	1	1
20	1010805	SLEEVE, PARK BRAKE ROD	1	1
21	1010932	JOINT, BALL, 1/4 - 28	1	1
22	1010933	SPRING, PARK BRAKE TORSION	1	1
23	1010927	SPACER, PARK BRAKE	1	1
24	1010878	STOP, BRAKE	1	1
25	0001028	NUT, HEX, 1/4 - 20	1	1
26	1011402	PACKAGE, BRAKE MOUNTING BLOCK (CONTAINS UPPER AND LOWER FOR LEFT AND RIGHT SIDES)	1	1
27	0001241	WASHER, FLAT, 5/16	4	4
28	1010921	SCREW, HEX HEAD CAP, 5/16 - 18 x 2 1/2	4	4
29	1011418	KIT, PARK BRAKE PEDAL (INCLUDES ITEMS 30 - 33)	1	1
30	0001032	BUSHING, NYLON	2	2
31	0007716	SCREW, SLOTTED HEX WASHER HEAD, #10 -16 x 1/2	2	2
32	1013876	NUT, PUSH, 3/8	1	1
33	1013870	PAD, PARK BRAKE	1	1

5
G
E



ACCELERATOR PEDAL ASSEMBLY

ITEM	PART NO.	DESCRIPTION	QTY GAS	QTY ELEC
		1 2 3 4		
1	1017696	SUB-ASSEMBLY, ACCELERATOR PEDAL (INCLUDES ITEM 2 AND 3)	1	1
2	1013871	PAD, PEDAL	1	1
3	0007716	SCREW, SLOTTED HEX WASHER HEAD, #10 - 16 x 1/2	4	4
4	0001624	SCREW, HEX CAP, 3/8 - 16 x 1 1/2	1	1
5	0001241	WASHER, FLAT, 5/16	1	1
6	1017325	ASSEMBLY, ACCELERATOR PIVOT ROD	1	1
7	0007473	NUT, NYLON LOCK, 5/16 - 18	1	1
8	0000332	WASHER, FLAT, 1/4	4	4
9	1017424	BEARING, PIVOT SUPPORT	1	1
10	1019669-01	NUT, FLANGED LOCK, 1/4 - 28	1	1
11	1018174-01	RETAINER, SPRING	1	1
12	1017962-01	SPRING, RETURN	1	1
13	1017378	CUP, SPRING	1	1
14	1017380	BUMPER, RETURN SPRING	1	1
15	0008233	NUT, NYLON LOCK, 1/4 - 20	4	4
16	1018188-01	STUD, BALL	1	1
17	1018719-01	ASSEMBLY, ACCELERATOR ROD (POWERDRIVE SYSTEM 48 AND V-GLIDE 36 VOLT VEHICLES) (INCLUDES ITEMS 18 AND 19)		1
17	1019124-01	ASSEMBLY, ACCELERATOR ROD (GASOLINE VEHICLE ONLY) (INCLUDES ITEMS 18 AND 19)	1	
18	1011084	NUT, UNF HEX JAM, 1/4 - 28	2	2
19	1011734	JOINT, SPRING-LOADED BALL	2	2
20	1011700	SPACER	1	1
21	1011694	SUPPORT, ACCELERATOR PIVOT ROD	2	2
22	1018619-01	SCREW, HEX CAP, 1/4 - 20 x 1 1/8	4	4
23	0008754	NUT, NYLON LOCK, 3/8 - 16	2	2
	1011877-02	KIT, PARK BRAKE (INCLUDES ITEM 24 AND ITEMS 17-21 ON PAGE 5-4).....	1	1
24	N/A	ASSEMBLY, RATCHET	1	1
25	0000334	WASHER, FLAT, 3/8	2	2

5
G
E

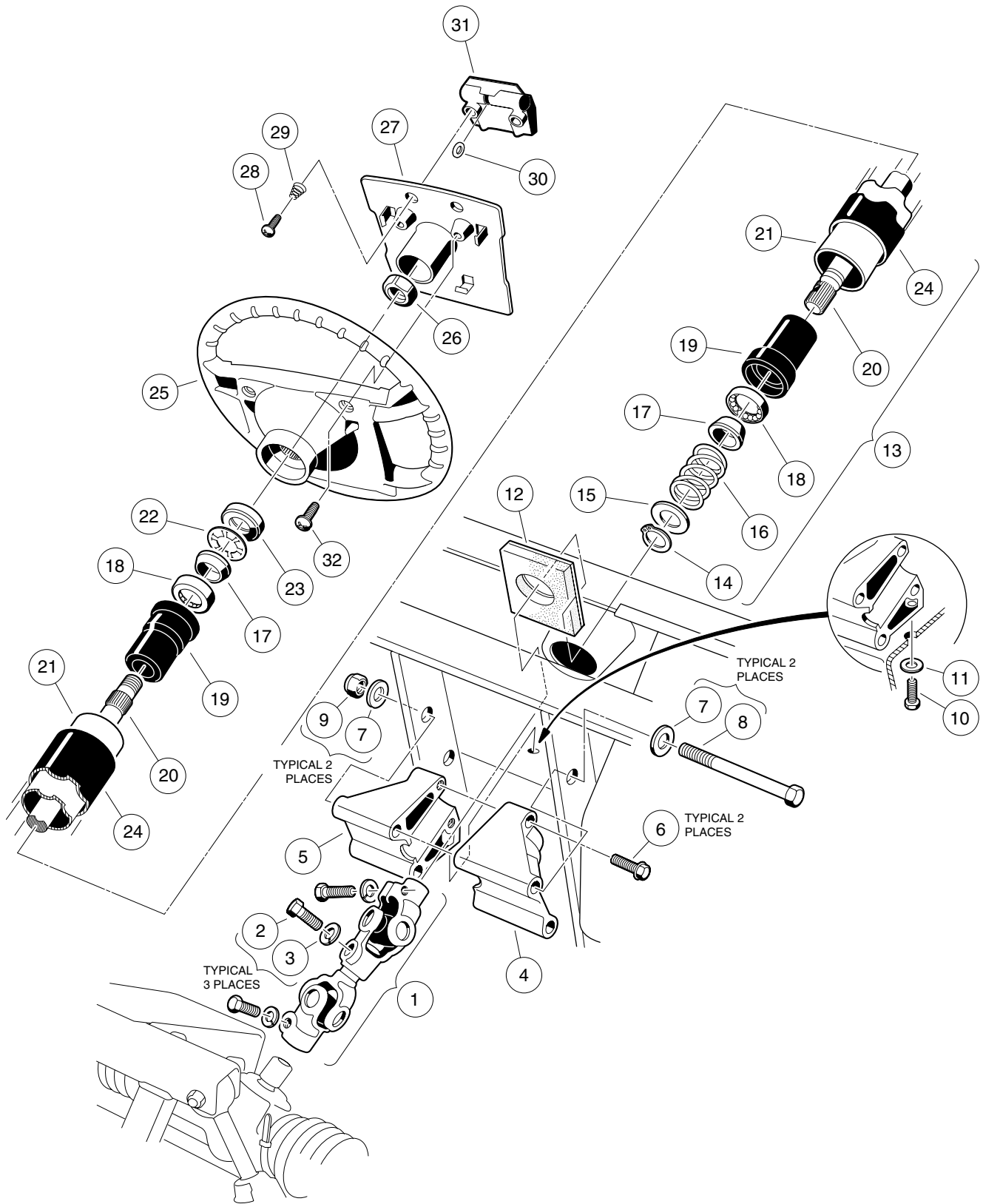
5
G
E

STEERING, FRONT AND REAR SUSPENSION

6

G

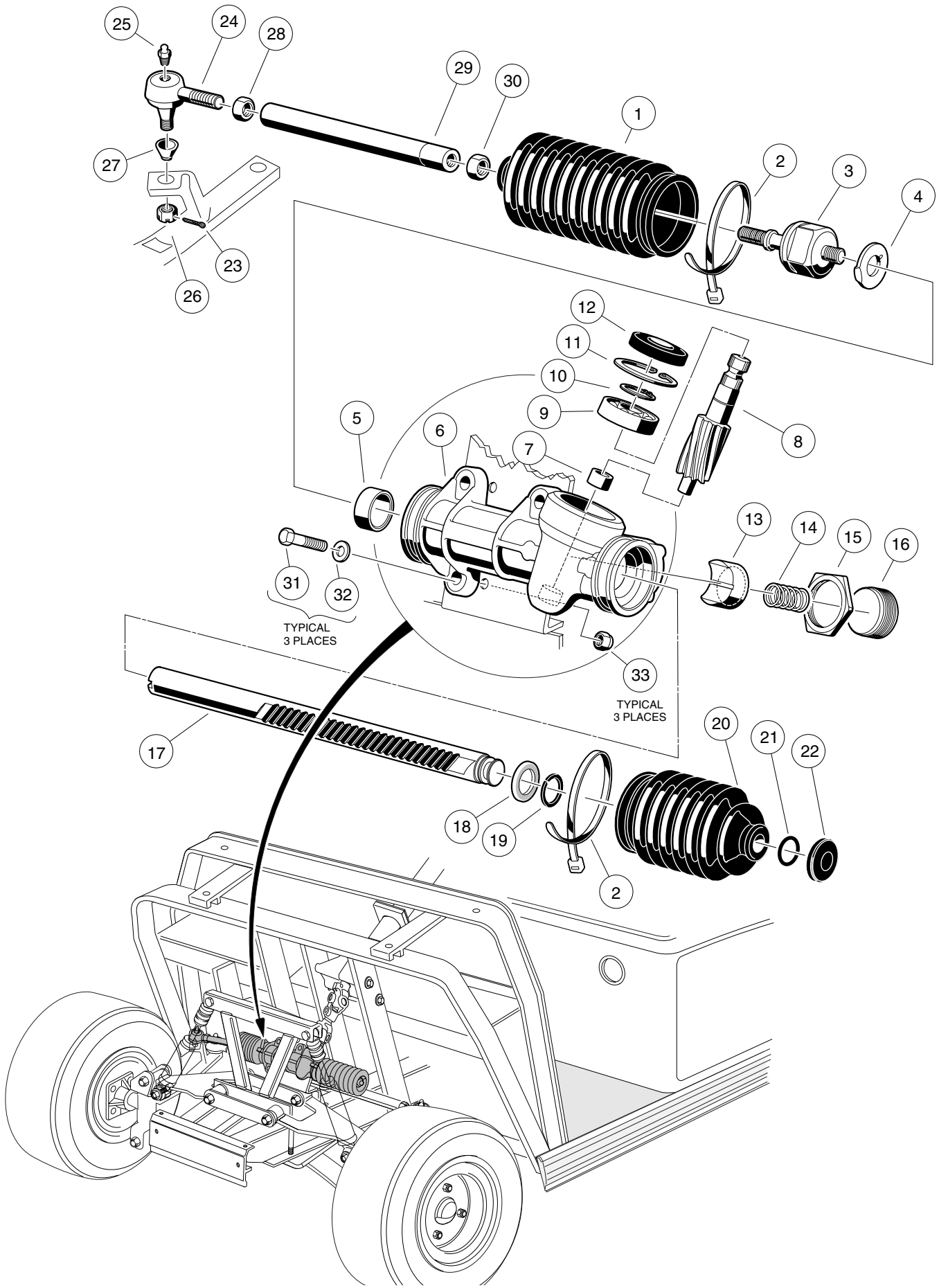
E



STEERING COLUMN

ITEM	PART NO.	DESCRIPTION	QTY GAS	QTY ELEC
		1 2 3 4		
1	1013861	JOINT, COMPOUND STEERING (INCLUDES ITEMS 2 AND 3)	1	1
2	1017226	SCREW, HEX HEAD CAP, M8 x 1.25 x 30MM	3	3
3	0007174	WASHER, LOCK, 5/16	3	3
4	1016185	MOUNT, STEERING COLUMN, LEFT HAND	1	1
5	1016184	MOUNT, STEERING COLUMN, RIGHT HAND	1	1
6	1016269	SCREW, HEX WASHER HEAD THREAD FORMING, 5/16 - 18 x 2	2	2
7	0000334	WASHER, FLAT, 3/8	4	4
8	1016183	SCREW, HEX HEAD CAP, 3/8 - 16 x 7	2	2
9	0008754	NUT, NYLON LOCK, 3/8 - 16	2	2
10	1014288	SCREW, HEX WASHER HEAD THREAD FORMING, 5/16 - 18 x 3/4	1	1
11	1011697	WASHER, FLAT, 5/16	1	1
12	1012499	BOOT, STEERING COLUMN	1	1
13	1016181	ASSEMBLY, STEERING COLUMN (INCLUDES ITEMS 14 - 23)	1	1
14	1012605	RING, RETAINING	1	1
15	1012604	WASHER, STEEL, 5/8	1	1
16	1014217	SPRING, COMPRESSION	1	1
17	1014125	WEDGE	2	2
18	1014213	ASSEMBLY, BEARING	2	2
19	1014126	SEAT, BEARING	2	2
20	1015545	SHAFT, STEERING COLUMN	1	1
21	1016622	COLUMN, ALUMINUM STEERING	1	1
22	1014214	RING, RETAINING	1	1
23	1014211	SEAL, BEARING	1	1
24	1016263	COVER, STEERING COLUMN	1	1
25	1016156	WHEEL, STEERING	1	1
26	1017273	NUT, NYLON LOCK, 5/8 - 18	1	1
27	1016219	ASSEMBLY, SCORECARD PLATE (INCLUDES ITEMS 28 - 31)	1	1
28	1012565	SCREW, ROUND HEAD, #12 - 14 x 1	2	2
29	1012566	SPRING, TAPERED COMPRESSION	2	2
30	1016214	GRIP, PENCIL	2	2
31	1016154	CLIP, SCORE CARD	1	1
32	1016663	SCREW, PHILLIPS, TYPE A, #12 - 11 x 5/8	2	2

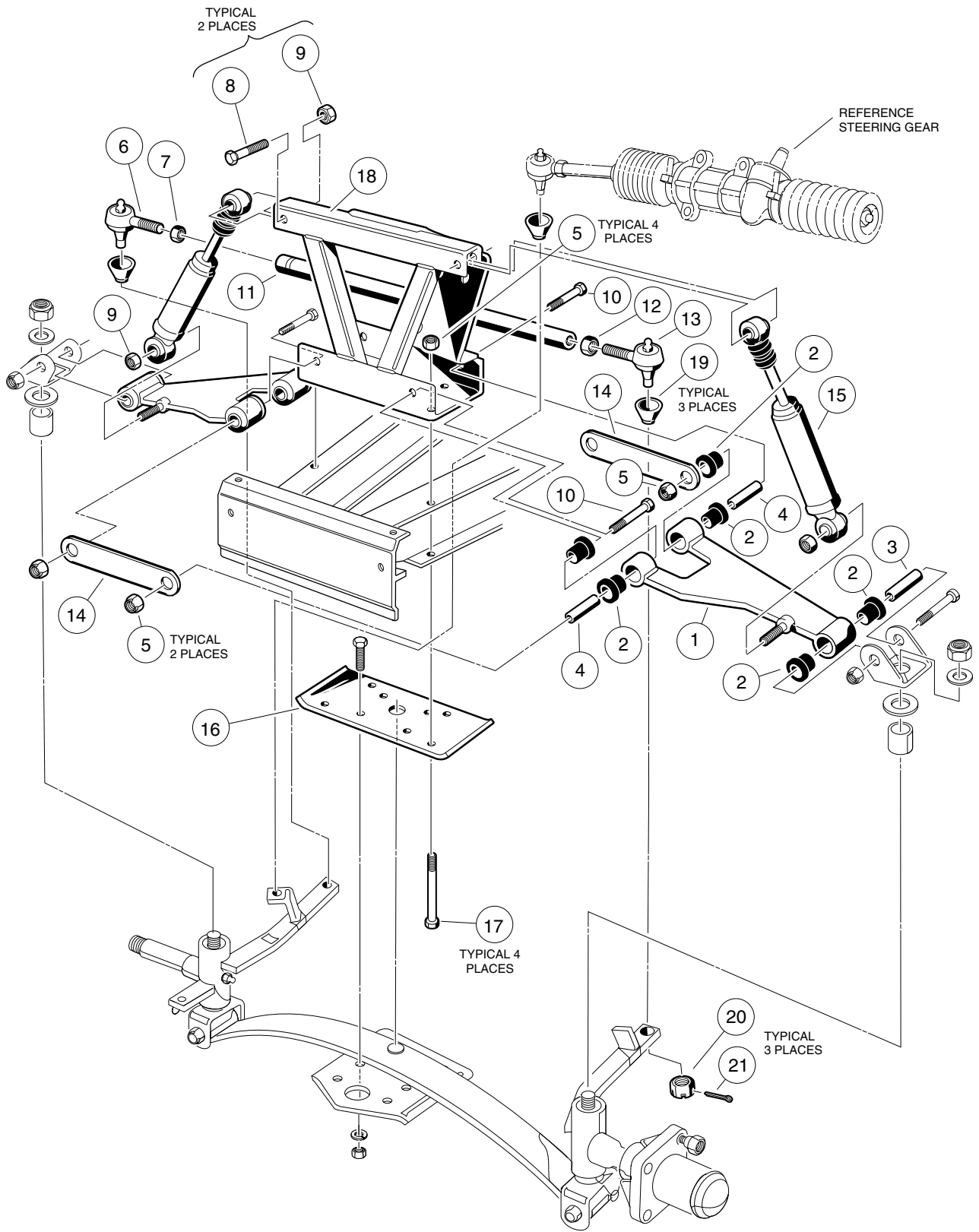
6
G
E



STEERING GEAR ASSEMBLY

ITEM	PART NO.	DESCRIPTION	QTY GAS	QTY ELEC
		1 2 3 4		
	1018783-02	ASSEMBLY, STEERING GEAR BOX (INCLUDES ITEMS 1 - 22)	1	1
1	1013035	SEAL, DUST, RIGHT	1	1
2	0008990	WRAP, TIE	2	2
3	1018802-01	ASSEMBLY, INNER BALL JOINT	1	1
4	1018803-01	WASHER, TAB	2	2
5	N/A	BUSHING, RACK	1	1
6	N/A	BOX, STEERING GEAR	1	1
7	N/A	BEARING, LOWER PINION	1	1
8	N/A	PINION, STEERING	1	1
9	1018794-01	BEARING, UPPER PINION	1	1
10	1018799-01	RING, C-TYPE STOP	1	1
11	1013051	RING, SNAP	1	1
12	1013052	SEAL, DUST, STEERING PINION	1	1
13	1018797-01	GUIDE, STEERING RACK	1	1
14	1018798-01	SPRING, YOKE	1	1
15	1013044	NUT, LOCK, RACK SCREW	1	1
16	N/A	SCREW, RACK GUIDE	1	1
17	N/A	RACK, STEERING	1	1
18	1018795-01	WASHER, STOP	2	2
19	1018796-01	RING, C-TYPE STOP	1	1
20	1018800-01	SEAL, DUST, LEFT	1	1
21	1018801-01	O-RING, DUST SEAL RETAINING	1	1
22	1019260-01	CAP, RACK END DUST	1	1
23	0001035	PIN, COTTER, 3/32 x 1	1	1
24	0007540	BALL JOINT, LEFT HAND THREAD (INCLUDES ITEMS 25, 26 AND 27)	1	1
25	1015597	FITTING, THREAD FORM GREASE, 1/4 - 28	1	1
26	0007602	NUT, HEX SLOTTED, 3/8 - 24	1	1
27	1011930	BOOT, DUST.....	1	1
28	0007555	NUT, HEX, LEFT HAND THREAD, 1/2 - 20	1	1
29	1012467	LINK, RACK AND PINION DRAG	1	1
30	1013042	NUT, HEX, M12 x 1.75	1	1
31	0001624	BOLT, HEX HEAD, 3/8 - 16 x 1 1/2	3	3
32	0000334	WASHER, FLAT, 3/8	3	3
33	1010138	NUT, DIMPLED LOCK, 3/8 - 16	3	3

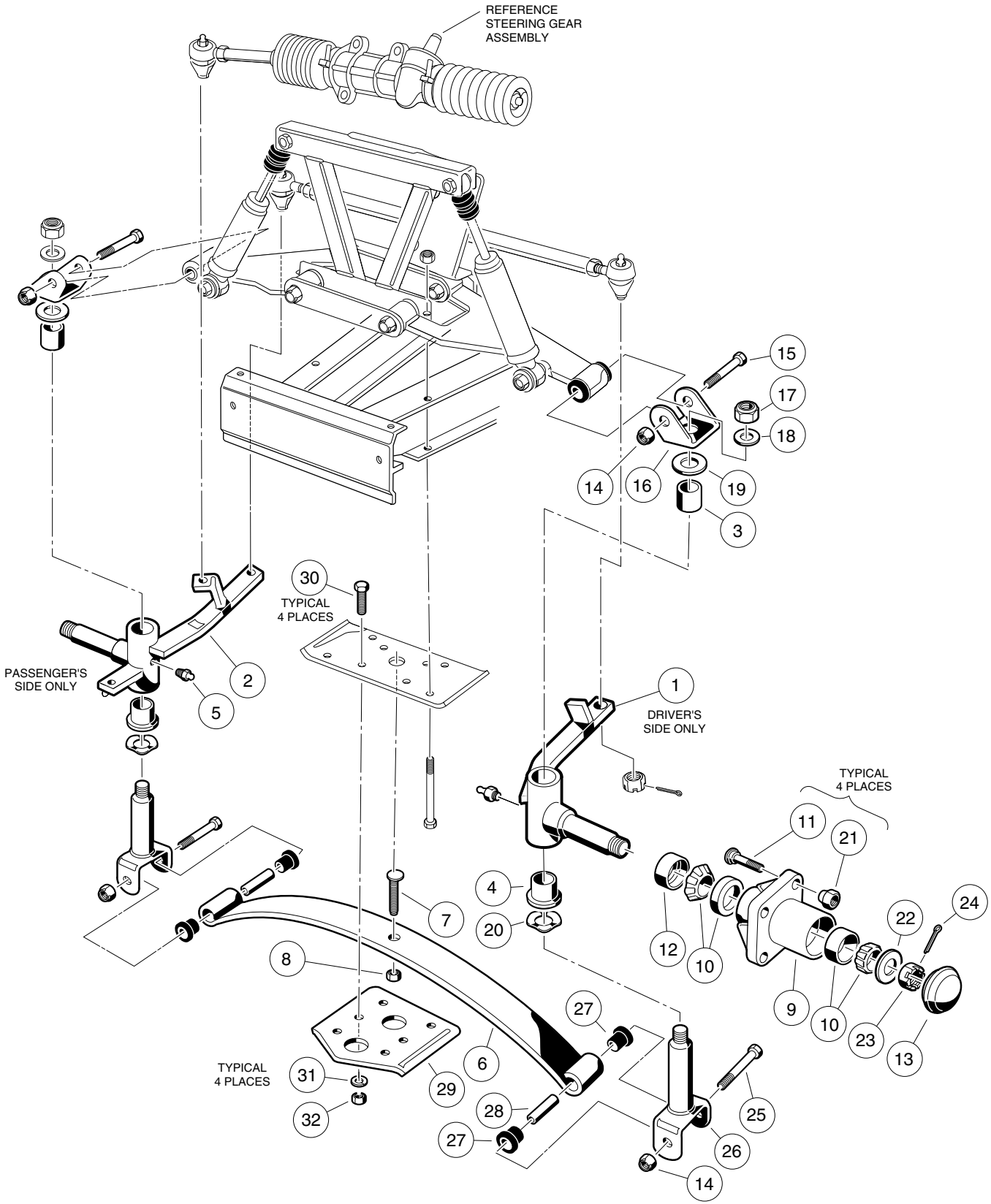
6
G
E



FRONT SUSPENSION, UPPER

ITEM	PART NO.	DESCRIPTION	QTY GAS	QTY ELEC
		1 2 3 4		
1	1016353	ASSEMBLY, DELTA A-PLATE (INCLUDES ITEMS 2, 3 AND 4)	2	2
2	1016346	BUSHING, URETHANE	6	6
3	1016350	SLEEVE, DELTA OUTER	1	1
4	1016349	SLEEVE, DELTA INNER	2	2
5	0008754	NUT, NYLON LOCK, 3/8 - 16	8	8
6	0007539	BALL JOINT	1	1
7	0001308	NUT, HEX, 1/2 - 20	1	1
8	0001624	BOLT, HEX HEAD, 3/8 - 16 x 1 1/2	2	2
9	1010138	NUT, DIMPLED LOCK, 3/8 - 16	4	4
10	0002402	SCREW, HEX CAP, 3/8 - 16 x 2 1/4	4	4
11	1010219	ROD, TIE	1	1
12	0007555	NUT, HEX, LEFT HAND THREAD, 1/2 - 20	1	1
13	0007540	BALL JOINT, LEFT HAND THREAD	1	1
14	1017266	STRAP, A-PLATE	2	2
15	1015813	SHOCK ABSORBER, FRONT (GASOLINE VEHICLE ONLY)	2	
15	1014235	SHOCK ABSORBER, FRONT (ELECTRIC VEHICLE ONLY)		2
16	1010124	PLATE, SPRING MOUNTING	1	1
17	1010200	BOLT, HEX HEAD, 3/8 - 16 x 4 1/4	4	4
18	1016385	ASSEMBLY, DELTA SHOCK AND GEAR SUPPORT	1	1
19	1011930	SEAL, DUST	3	3
20	0007602	NUT, SLOTTED HEX, 3/8 - 24	3	3
21	0001035	PIN, COTTER, 3/32 x 1	1	1

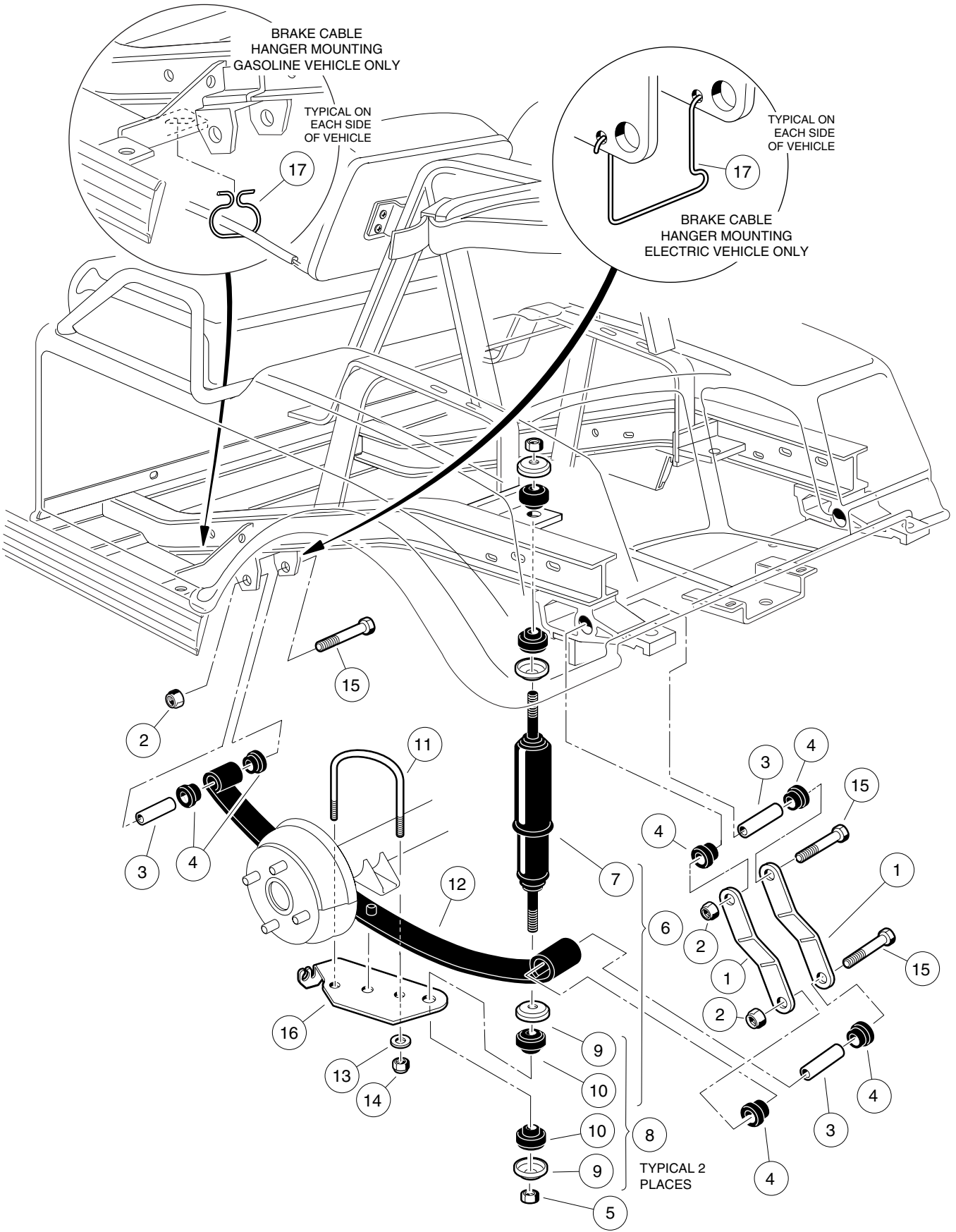
6
G
E



FRONT SUSPENSION, LOWER

ITEM	PART NO.	DESCRIPTION	QTY GAS	QTY ELEC
		1 2 3 4		
1	1010348	ASSEMBLY, LEFT SPINDLE (INCLUDES ITEMS 3, 4 AND 5)	1	1
2	1010347	ASSEMBLY, RIGHT SPINDLE (INCLUDES ITEMS 3, 4 AND 5)	1	1
3	0008067	BUSHING, BRONZE SPINDLE	1	1
4	0007048	BUSHING, BRONZE	1	1
5	1015597	FITTING, GREASE, 1/4 - 28	1	1
6	1012030	SPRING, TAPERED LEAF	1	1
7	0008745	ECCENTRIC	1	1
8	0000706	NUT, HEX, 3/8 - 16	1	1
9	1011892	ASSEMBLY, HUB (INCLUDES ITEMS 10 - 13)	2	2
10	1011393	PACKAGE, HUB BEARING	2	2
11	1011304	STUD, LUG, 1/2 - 20	4	4
12	1013135	SEAL, DOUBLE LIP	1	1
13	1011887	COVER, DUST	1	1
14	0008754	NUT, NYLON LOCK, 3/8 - 16	4	4
15	1016387	SCREW, HEX HEAD CAP, 3/8 - 16 x 2 3/4	2	2
16	1016384	CLEVIS, UPPER DELTA	2	2
17	1019031-01	NUT, NYLON LOCK, 1/2 - 20	2	2
18	1010028	WASHER, FLAT, 1/2	2	2
19	1010150	BEARING, THRUST	2	2
20	1016389	WASHER, KINGPIN WAVE	2	2
21	1010984	NUT, LUG	8	8
22	1010005	WASHER, FLAT, 3/4	2	2
23	0007840	NUT, HEX SLOTTED, 3/4 - 16	2	2
24	0007910	PIN, COTTER, 5/32 x 1	2	2
25	0008755	SCREW, HEX HEAD CAP, 3/8 - 16 x 3 3/8	2	2
26	1016386	KINGPIN	2	2
27	1015583	BUSHING, URETHANE	4	4
28	1012303	BUSHING, STEEL	2	2
29	1014276	PLATE, FRONT SPRING RETAINER	1	1
30	0001624	SCREW, HEX HEAD CAP, 3/8 - 16 x 1 1/2	4	4
31	0000357	WASHER, LOCK, 3/8	4	4
32	0000706	NUT, HEX, 3/8 - 16	4	4

6
G
E



REAR SUSPENSION

ITEM	PART NO.	DESCRIPTION	QTY GAS	QTY ELEC
		1 2 3 4		
1	1012304	SHACKLE, REAR SPRING (GASOLINE VEHICLE)	4	
1	0007569	SHACKLE, REAR SPRING (ELECTRIC VEHICLE)		4
2	0008754	NUT, NYLON LOCK, 3/8 - 16	6	6
3	1012303	BUSHING, STEEL	4	4
4	1015583	BUSHING, URETHANE	12	12
5	1010145	NUT, UNF HEX, 3/8 - 24	4	4
6	1013164	KIT, SHOCK ABSORBER (INCLUDES ITEMS 7, 9 AND 10)	1	1
7	1014236	SHOCK ABSORBER, REAR	2	2
8	1011415	KIT, SHOCK ABSORBER CUSHION (INCLUDES ITEMS 9 AND 10)	4	4
9	N/A	RETAINER, SHOCK ABSORBER CUSHION	8	8
10	N/A	CUSHION, SHOCK ABSORBER	8	8
11	1012180	U-BOLT	2	2
12	1012324	SPRING, REAR LEAF (GASOLINE VEHICLE)	2	
12	1010974	SPRING, REAR LEAF (ELECTRIC VEHICLE)		2
13	1014557	WASHER, FLAT, 7/16	4	4
14	1014555	NUT, NYLON LOCK, 7/16 - 24	4	4
15	0008755	SCREW, HEX HEAD CAP, 3/8 - 16 x 3 3/8	6	6
16	1012182	PAD, SPRING LEFT	1	1
16	1012181	PAD, SPRING RIGHT	1	1
17	1019008-01	HANGER, BRAKE CABLE (GASOLINE VEHICLE)	2	
17	1013207	HANGER, BRAKE CABLE (ELECTRIC VEHICLE)		2

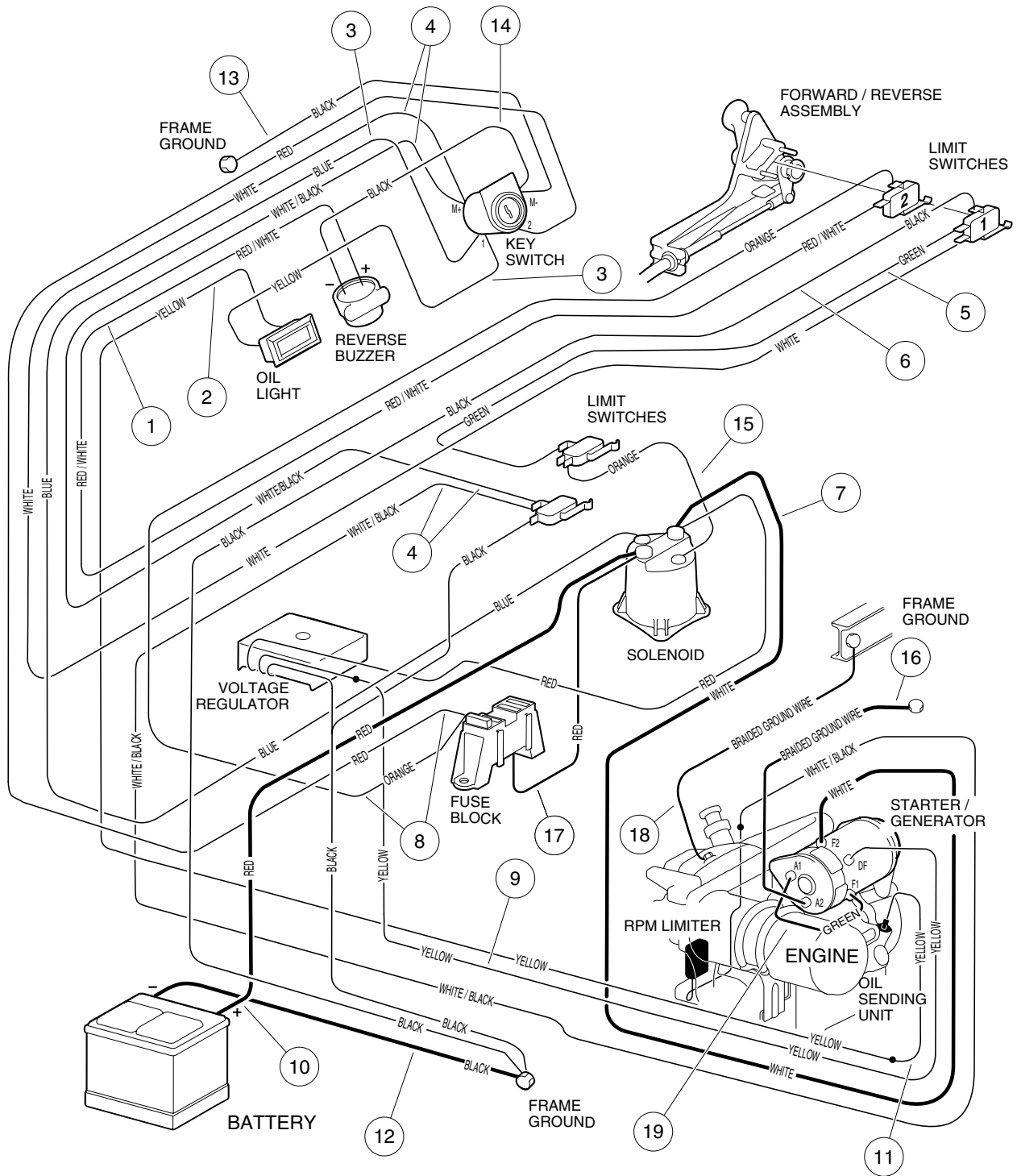
6
G
E

6
G
E

ELECTRICAL SYSTEM GASOLINE VEHICLE

7

G

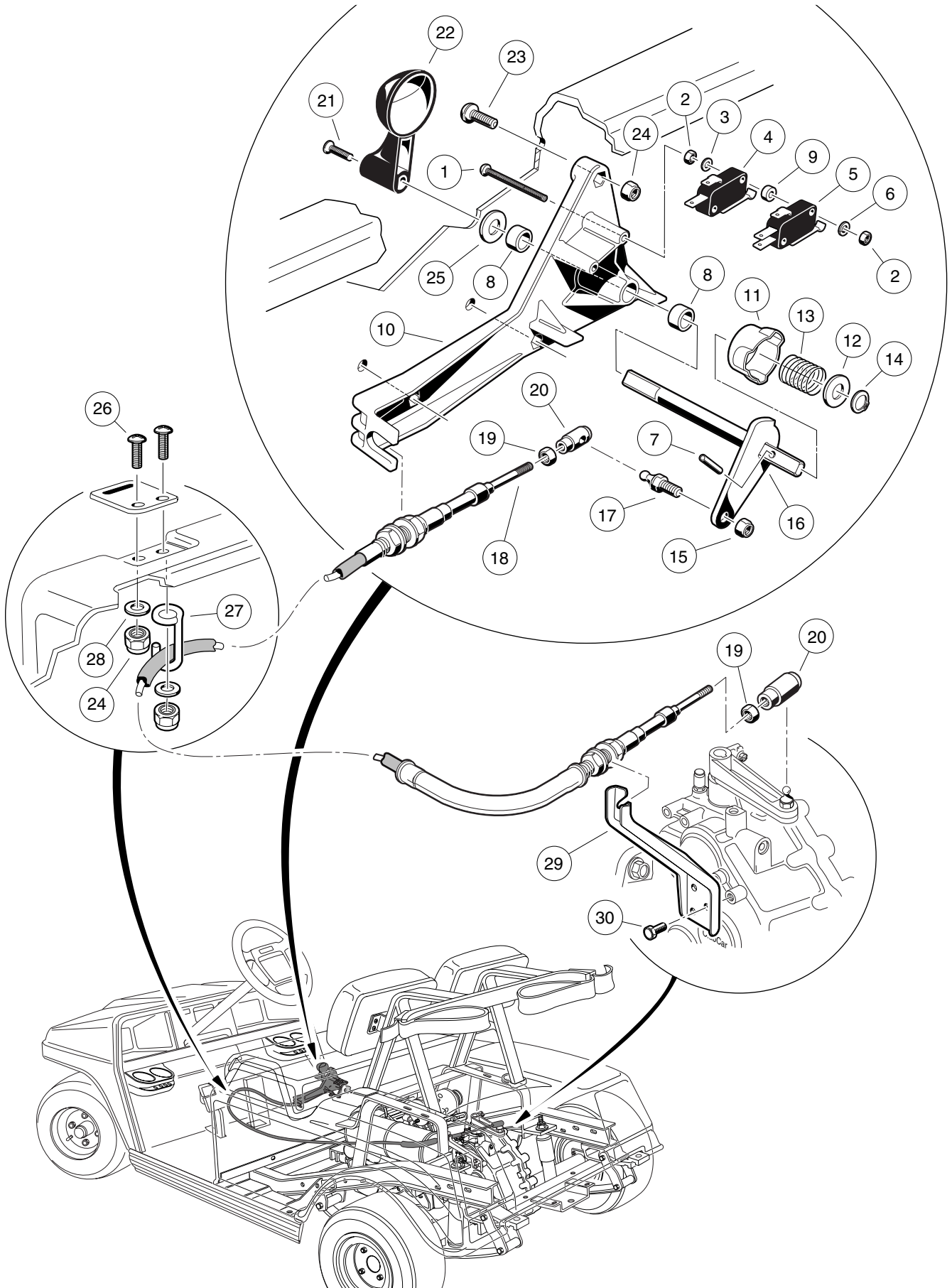


WIRING - GASOLINE VEHICLE

7

G

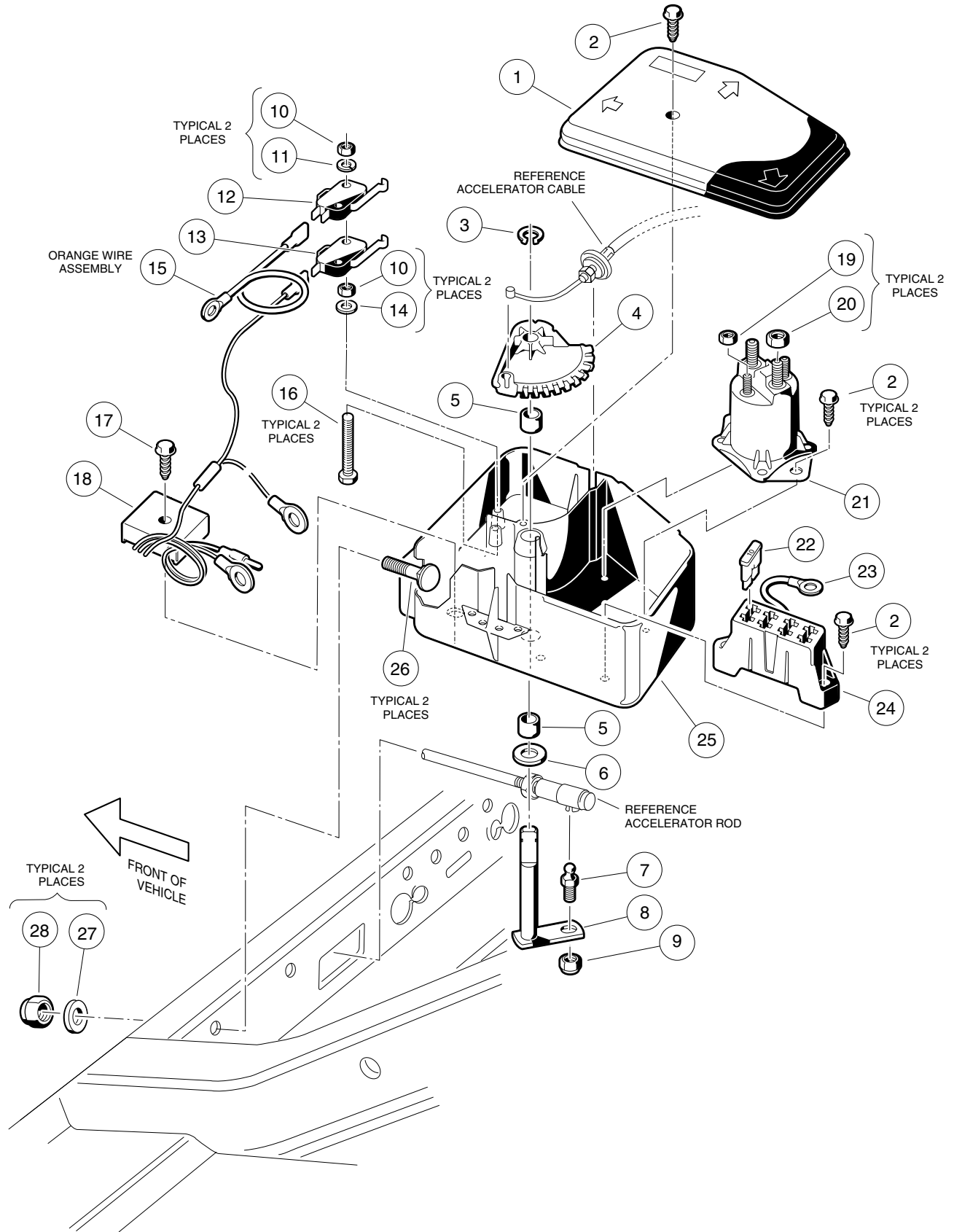
ITEM	PART NO.	DESCRIPTION	QTY
		1 2 3 4	
	1018893-02	WIRE HARNESS (INCLUDES ITEMS 1 - 11)	1
1	N/A	WIRE ASSEMBLY, #18 RED/WHITE	1
2	N/A	WIRE ASSEMBLY, #18 YELLOW	1
3	N/A	WIRE ASSEMBLY, #18 YELLOW AND #16 BLUE	1
4	N/A	WIRE ASSEMBLY, #18 WHITE/BLACK AND #18 WHITE	1
5	N/A	WIRE ASSEMBLY, #18 GREEN	1
6	N/A	WIRE ASSEMBLY, #18 BLACK	1
7	1015769	WIRE ASSEMBLY, #6 WHITE	1
8	N/A	WIRE ASSEMBLY, #16 RED AND #16 ORANGE	1
9	N/A	WIRE ASSEMBLY, #16 YELLOW	1
10	1014119	WIRE ASSEMBLY, #6 RED	1
11	N/A	WIRE ASSEMBLY, #18 YELLOW	1
12	1012382	WIRE ASSEMBLY, #6 BLACK	1
13	N/A	WIRE ASSEMBLY, #18 BLACK	1
14	N/A	WIRE ASSEMBLY, #18 BLACK (PART OF REVERSE BUZZER KIT)	1
15	N/A	WIRE ASSEMBLY, #16 ORANGE (PART OF THE ELECTRICAL COMPONENT BOX)	1
16	1015920	WIRE ASSEMBLY, #6 BRAIDED GROUND	1
17	1015737	WIRE ASSEMBLY, #10 RED (PART OF THE ELECTRICAL COMPONENT BOX)	1
18	1015332	WIRE ASSEMBLY, #10 BRAIDED GROUND	1
19	1018373-01	WIRE ASSEMBLY, #6 GREEN	1



FORWARD AND REVERSE SHIFTER ASSEMBLY GASOLINE VEHICLE

ITEM	PART NO.	DESCRIPTION	QTY
		1 2 3 4	
	1016947	ASSEMBLY, FORWARD AND REVERSE SHIFTER (INCLUDES ITEMS 1 - 17)	1
1	1012594	SCREW, MACHINE, #4 - 40 x 1 1/2	2
2	0008057	NUT, HEX HEAD, #4 - 40	4
3	1012431	WASHER, FLAT, #4	2
4	1014808	SWITCH, LIMIT	1
5	1014807	SWITCH, LIMIT	1
6	0008058	WASHER, LOCK, #4	2
7	1013591	PIN, ROLL, 1/8	1
8	1014145	BUSHING, BRONZE	2
9	1014727	WASHER, NYLON FLAT, #4	2
10	1016342	BASE, FORWARD AND REVERSE SHIFTER	1
11	1014089	KIT, NEUTRAL LOCK-OUT CAM (INCLUDES ITEM 12)	1
12	1014065	WASHER, FLAT	1
13	1013590	SPRING, FORWARD AND REVERSE CAM	1
14	1013589	RING, RETAINING	1
15	0008717	NUT, NYLON LOCK, 1/4 - 28	1
16	1013587	WELDMENT, FORWARD AND REVERSE BELL CRANK	1
17	1010954	STUD, BALL, 1/4 - 28 x 1/4	1
18	1019515-01	CABLE, TRANSMISSION (INCLUDES ITEMS 19 AND 20)	1
19	0007893	NUT, HEX, #10 - 32	2
20	1012333	JOINT, BALL	2
21	1013198	SCREW, PHILLIPS OVAL COUNTERSUNK MACHINE, #8 - 32 x 5/8	1
22	1012987	HANDLE, FORWARD AND REVERSE SWITCH	1
23	0008248	SCREW, PHILLIPS TRUSS HEAD, 1/4 - 20 x 3/4	4
24	0008233	NUT, NYLON LOCK, 1/4 - 20	8
25	1014065	WASHER, FLAT, 3/8	1
26	0008251	SCREW, PHILLIPS HEAD, 1/4 - 20 x 1	4
27	1018558-01	RETAINER, CABLE	1
28	0000332	WASHER, FLAT, 1/4	4
29	1019226-01	BRACKET, TRANSMISSION CABLE SUPPORT	1
30	1012285	SCREW, THREAD ROLLING, 1/4 - 20 x 5/8	3



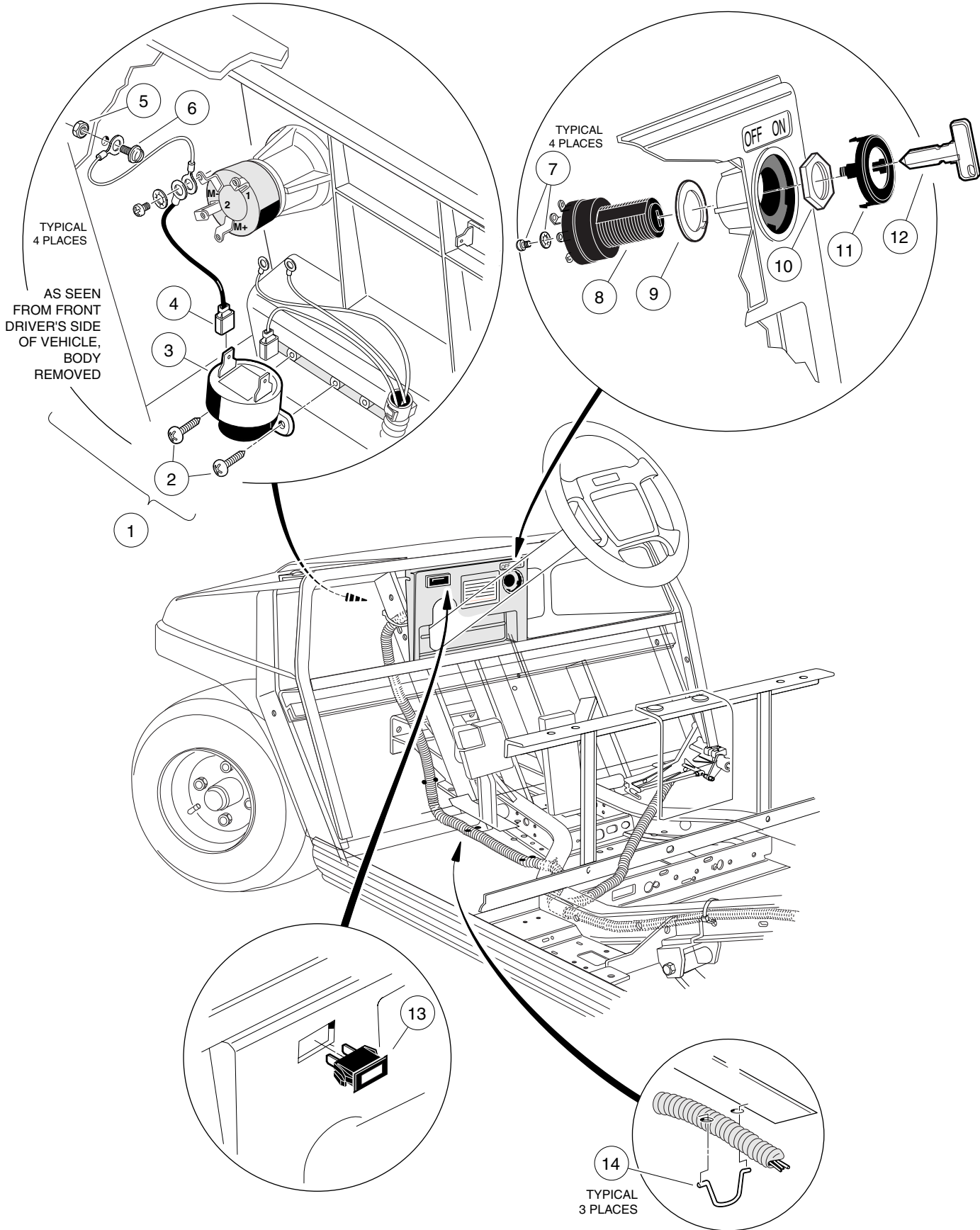


ELECTRICAL COMPONENT BOX GASOLINE VEHICLE

7
G

ITEM	PART NO.	DESCRIPTION	QTY
		1 2 3 4	
	1018276-01	BOX, ELECTRICAL COMPONENT, COMPLETE (INCLUDES ITEMS 1 - 25 AND 1018893-02 - SEE PAGE 7-3)	1
1	1015372	COVER, ELECTRICAL COMPONENT BOX	1
2	1015752	SCREW, HI-LO, #12 - 16 x 5/8	5
3	1013589	RING, RETAINING	1
4	1015373	CAM, ELECTRICAL BOX	1
5	1014145	BUSHING, BRONZE	2
6	1014065	WASHER, FLAT	1
7	1010954	STUD, BALL, 1/4 - 28	1
8	1018213-01	ASSEMBLY, BELL CRANK SHAFT	1
9	0008717	NUT, NYLON LOCK, 1/4 - 28	1
10	0008057	NUT, HEX, #4 - 40	4
11	0008058	WASHER, LOCK, #4	2
12	1014807	SWITCH, LIMIT	1
13	1014808	SWITCH, LIMIT	1
14	1012431	WASHER, FLAT, #4	2
15	N/A	WIRE ASSEMBLY, #16 ORANGE	1
16	1015878	SCREW, HEX HEAD MACHINE, #4 - 40 x 1 5/8	2
17	1018561-01	SCREW, HEX WASHER HEAD HI-LO, 1/4 - 15 x 1/2	1
18	1015777	ASSEMBLY, VOLTAGE REGULATOR	1
19	0007893	NUT, HEX, #10 - 32	2
20	0001242	NUT, HEX, 5/16 - 18	2
21	1013609	SOLENOID, 12 VOLT	1
22	1012295	FUSE, 10 AMP	1
23	1015737	WIRE ASSEMBLY, #10 RED	1
24	1015741	BLOCK, FUSE	1
25	1015371	BOX, ELECTRICAL COMPONENT	1
26	1015405	BOLT, CARRIAGE, 5/16 - 18 x 2	2
27	0001241	WASHER, FLAT, 5/16	2
28	0007473	NUT, NYLON LOCK, 5/16 - 18	2

7
G

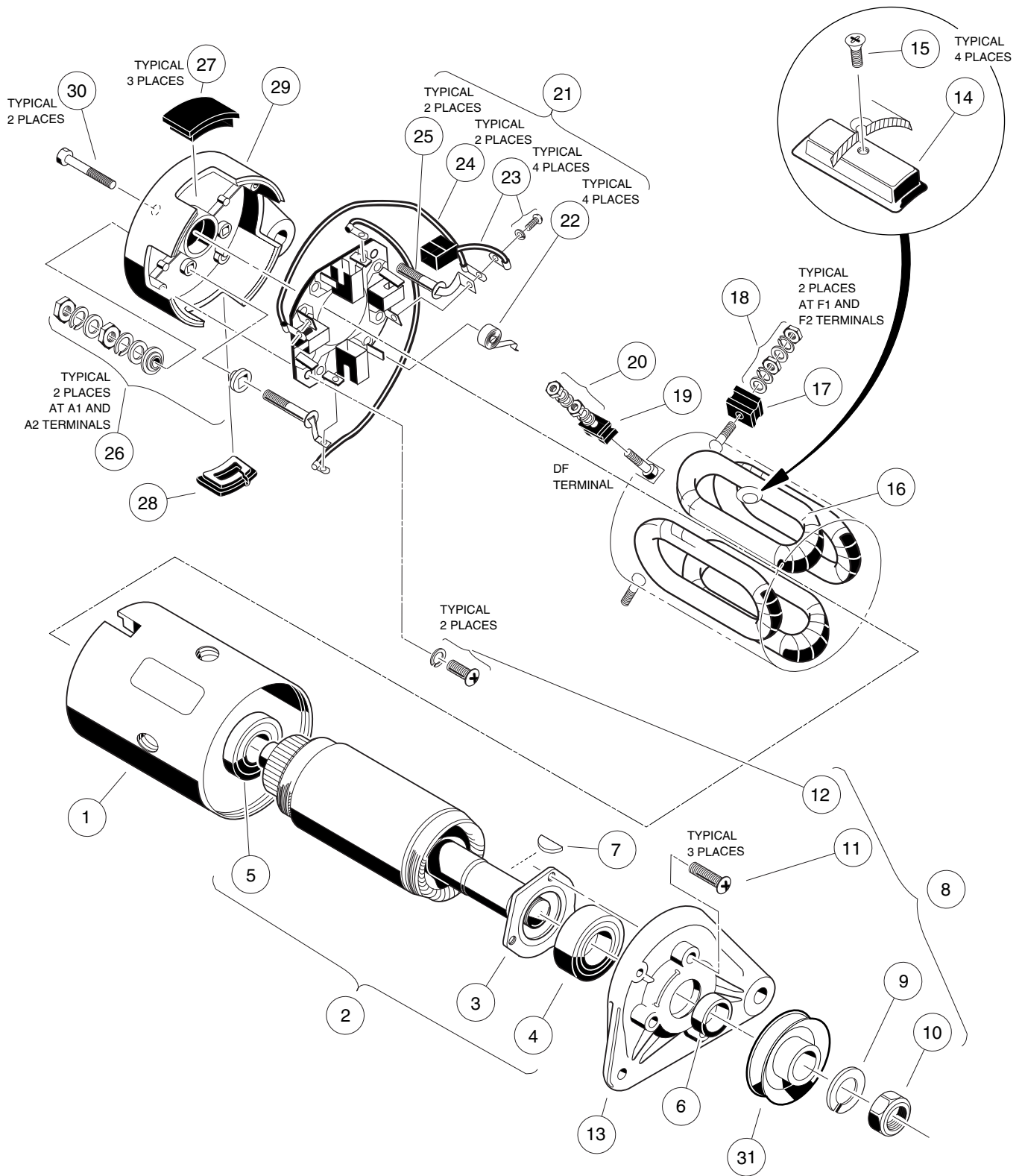


ELECTRICAL COMPONENTS GASOLINE VEHICLE

7
G

ITEM	PART NO.	DESCRIPTION	QTY
		1 2 3 4	
1	1016859	KIT, REVERSE BUZZER (INCLUDES ITEMS 2, 3 AND 4)	1
2	1016849	SCREW, PAN HEAD HI-LO, #4 - 24 x 5/16	2
3	1016851	BUZZER, REVERSE	1
4	N/A	WIRE ASSEMBLY, #18 BLACK	1
5	1011229	NUT, K LOCK, #6 - 32	1
6	1015720	BOLT, HEX WASHER HEAD, #6 - 32 x 1/2	1
7	1018306-01	ASSEMBLY, SCREW AND WASHER	4
8	1018263-01	SWITCH, KEY	1
9	1018511-01	WASHER	1
10	1018307-01	NUT, KEY SWITCH	1
11	1018345-02	CAP, KEY SWITCH (BLACK)	1
12	1012505	KEY (PAIR)	1
13	1016630	LIGHT, OIL WARNING	1
14	1019001-01	RETAINER, HARNESS	3

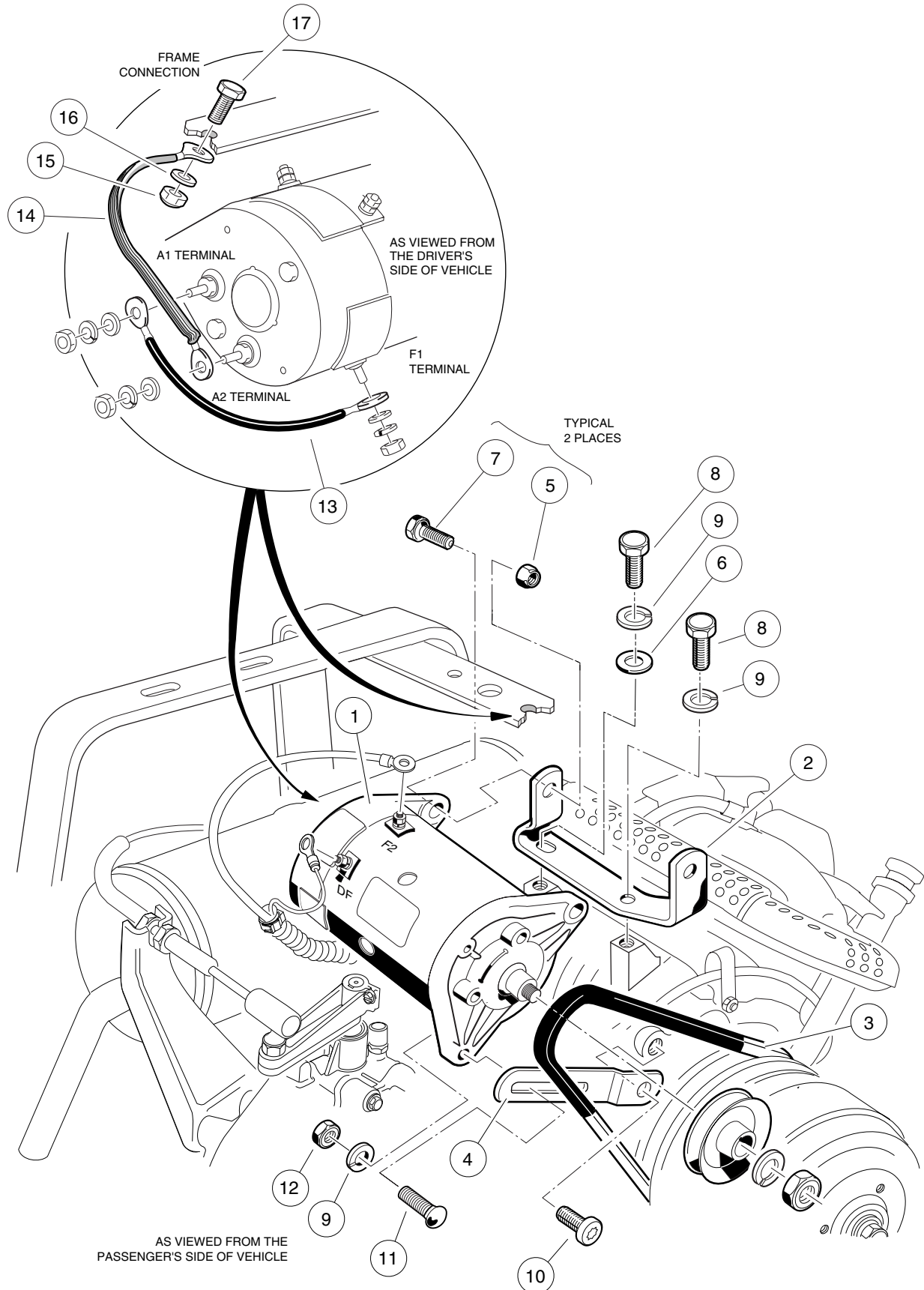
7
G



STARTER/GENERATOR ASSEMBLY

ITEM	PART NO.	DESCRIPTION	QTY
		1 2 3 4	
	1018337-01	STARTER/GENERATOR (CLOCKWISE ROTATION) (INCLUDES ITEMS 1 - 30)	1
1	1018752-01	HOUSING, FIELD COIL	1
2	1018751-01	ASSEMBLY, ARMATURE (INCLUDES ITEMS 3, 4 AND 5)	1
3	1018750-01	RETAINER, BEARING	1
4	1013001	BALL BEARING, OUTPUT SHAFT	1
5	1013005	COMMUTATOR, BALL BEARING	1
6	1019399-01	SPACER, 5/16	1
7	1013003	KEY, WOODRUFF	1
8	1018765-01	KIT, PULLEY NUT AND SCREW (INCLUDES ITEMS 9 - 12)	1
9	N/A	WASHER, LOCK, M14	1
10	N/A	NUT, HEX, M14 x 2	1
11	N/A	SCREW, CROSS - RECESSED, M5 x .8 x 18MM	3
12	1018965-01	SCREW, CROSS - RECESSED, M5 x .8 x 16MM (WITH LOCK WASHER)	2
13	1018749-01	END BELL, OUTPUT SHAFT	1
14	1018753-01	SET, POLE (SET OF 4)	1
15	1018754-01	SCREW, POLE PIECE (SET OF 4)	1
16	1018755-01	ASSEMBLY, FIELD COIL	1
17	1018756-01	SET, F INSULATOR	2
18	1018776-01	PACKAGE, TERMINAL HARDWARE (F1 AND F2)	2
19	1018757-01	SET, DF INSULATOR	1
20	1018777-01	PACKAGE, TERMINAL HARDWARE (DF)	1
21	1013011-02	HOLDER, BRUSH (INCLUDES ITEMS 22 - 25)	1
22	1018781-01	SPRING, BRUSH	4
23	1018693-02	PACKAGE, BRUSH (INCLUDES 4 BRUSHES, 4 SCREWS, 4 WASHERS)	1
24	1018762-02	ASSEMBLY, BRUSH CONNECTOR	2
25	1018758-02	A CONNECTOR (SET OF 2)	1
26	1018760-01	PACKAGE, TERMINAL HARDWARE (A1 AND A2)	2
27	1018763-01	COVER, BRUSH INSPECTION PORT (SET OF 4) (INCLUDES ITEM 28)	1
28	1017653	COVER, BRUSH INSPECTION PORT, WITH DRAIN	1
29	1018764-02	END BELL, COMMUTATOR	1
30	1018790-01	BOLT, CLAMP, M6 x 1 x 180MM	2
31	1014289	PULLEY (SILVER COLOR)	1

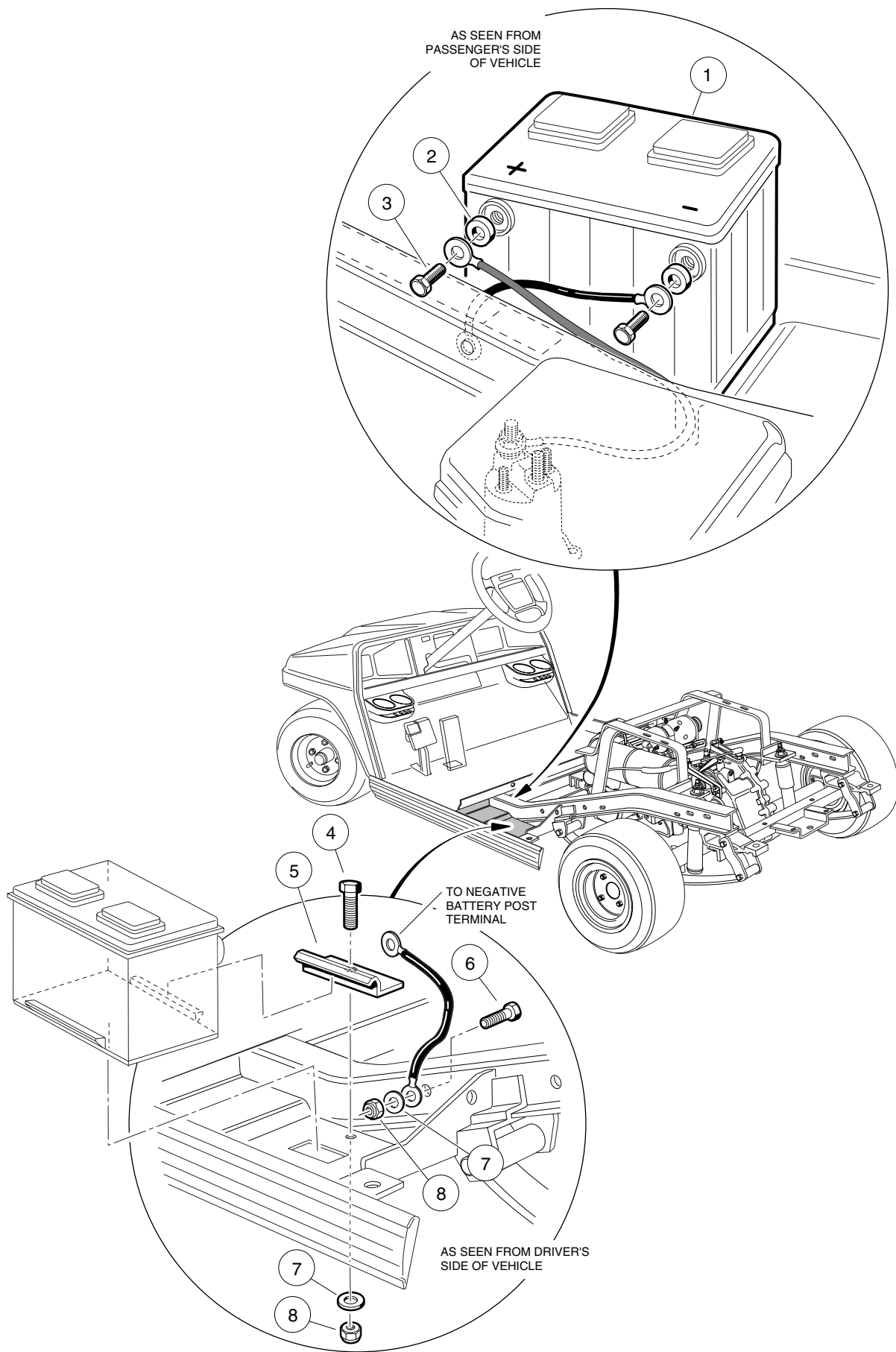




STARTER/GENERATOR MOUNTING

ITEM	PART NO.	DESCRIPTION	QTY
		1 2 3 4	
1	1018337-01	STARTER/GENERATOR	1
2	1015240-01	BRACKET, MOUNTING, FE 290	1
3	1019167-01	BELT	1
4	1016883	BRACKET, ADJUSTING	1
5	0008754	NUT, NYLON LOCK, 3/8 - 16	2
6	1015075	WASHER, FLAT, 5/16	1
7	0000705	BOLT, HEX HEAD, 3/8 - 16 x 1 1/4	2
8	1019035-01	SCREW, HEX HEAD CAP, M8 x 1.25 x 24MM	2
9	0007174	WASHER, LOCK, 5/16	3
10	1016074	SCREW, TORX HEAD, M8 x 1.25 x 18MM	1
11	1015932	BOLT, CARRIAGE, 5/16 - 18 x 1	1
12	0001242	NUT, HEX, 5/16 - 18	1
13	1018373-01	WIRE ASSEMBLY, #6 GREEN	1
14	1015920	WIRE ASSEMBLY, #6 BRAIDED GROUND	1
15	0007473	NUT, NYLON LOCK, 5/16 - 18	1
16	0001241	WASHER, FLAT, 5/16	1
17	0007173	SCREW, HEX HEAD CAP, 5/16 - 18 x 3/4	1

7
G



BATTERY - GASOLINE VEHICLE

ITEM	PART NO.	DESCRIPTION	QTY
		1 2 3 4	
1	1012328	BATTERY, 12 VOLT	1
2	1014374	SPACER, BATTERY TERMINAL BOLT	2
3	1014375	SCREW, HEX HEAD CAP, STAINLESS STEEL, 3/8 - 16 x 1/2	2
4	1010934	BOLT, HEX HEAD, 5/16 - 18 x 1	1
5	1018980-01	CLAMP, BATTERY	1
6	0007173	SCREW, HEX CAP, 5/16 - 18 x 3/4	1
7	0001241	WASHER, FLAT, 5/16	2
8	0007473	NUT, NYLON LOCK, 5/16 - 18	2

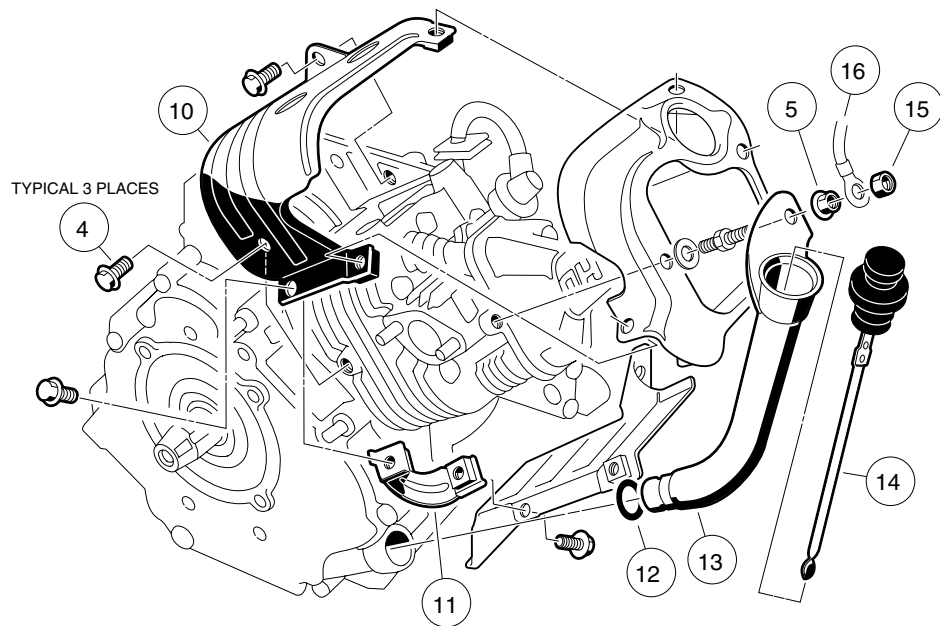
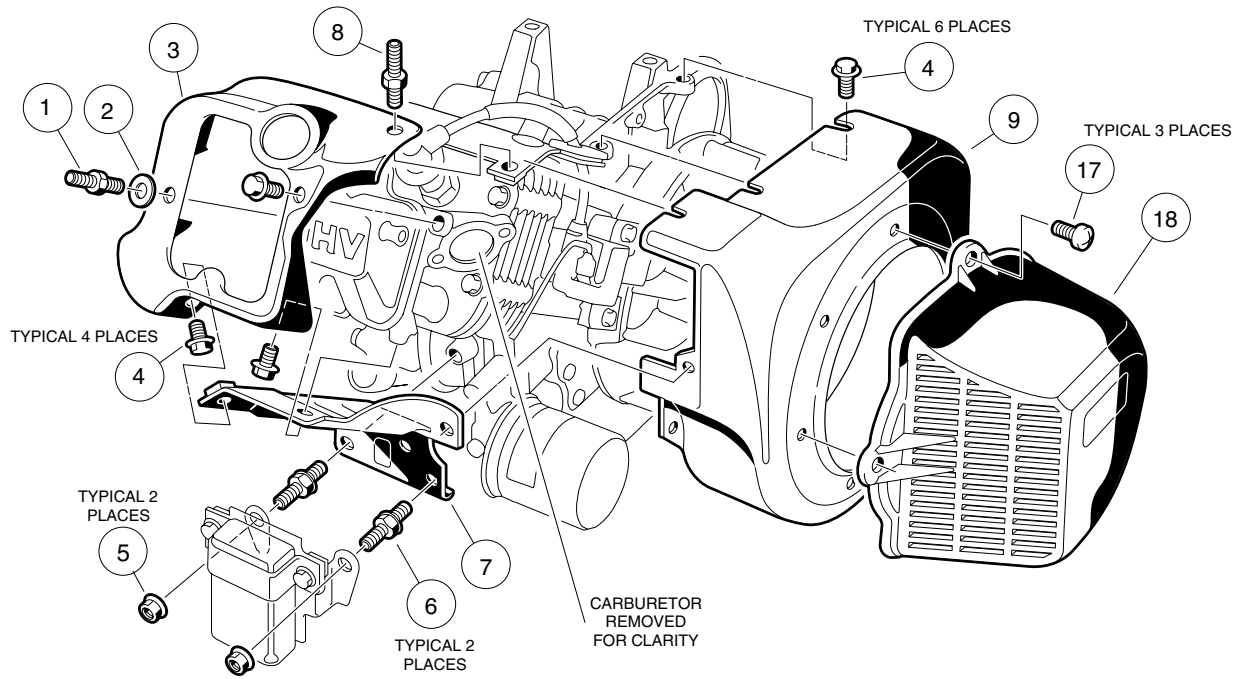
7
G

7
G

FE 290 ENGINE

8

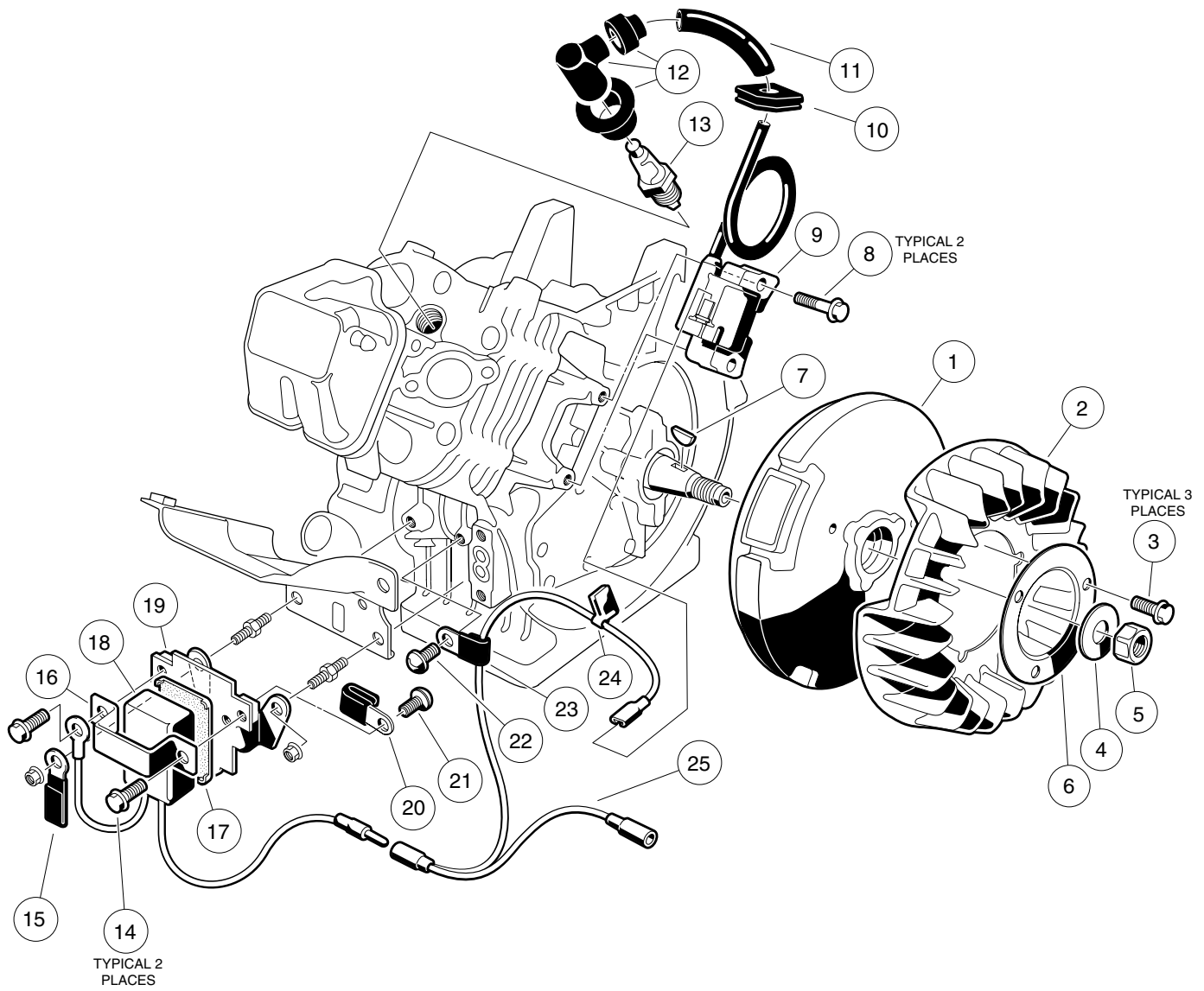
G



FE 290 ENGINE

ITEM	PART NO.	DESCRIPTION	QTY
		1 2 3 4	
	1019539-01	FE 290 OHV GASOLINE ENGINE (CLOCKWISE ROTATION) WITH CARBURETOR (DOES NOT INCLUDE ITEMS 15 THROUGH 18)	1
1	1016507	BOLT, 2-ENDED, M6 x 1 x 29MM	1
2	1016512	WASHER, FLAT, 6MM	1
3	1016524	SHROUD, ENGINE, FE 290	1
4	1016456	BOLT, FLANGED, M6 x 1 x 12MM	15
5	1016547	NUT, M6 x 1	3
6	1019097-01	BOLT, 2-ENDED, M6 x 1 x 27MM	1
7	1016526	SHROUD, ENGINE, FE 290 (LOWER)	1
8	1017221	SCREW, 2-ENDED, M6 x 1 x 46MM	1
9	1019156-01	HOUSING, FAN	1
10	1016525	SHROUD, ENGINE, FE 290 (UPPER)	1
11	1016443	BRACKET	1
12	1016539	O-RING	1
13	1016536	TUBE, OIL FILLER, FE 290	1
14	1016531	DIPSTICK	1
15	1011114	NUT, M6 x1	1
16	1015332	WIRE ASSEMBLY, #10 BRAIDED GROUND	1
17	1015969	SCREW, PAN HEAD, M6 x 1 x 14MM	3
18	1015649	SHROUD, FAN	1

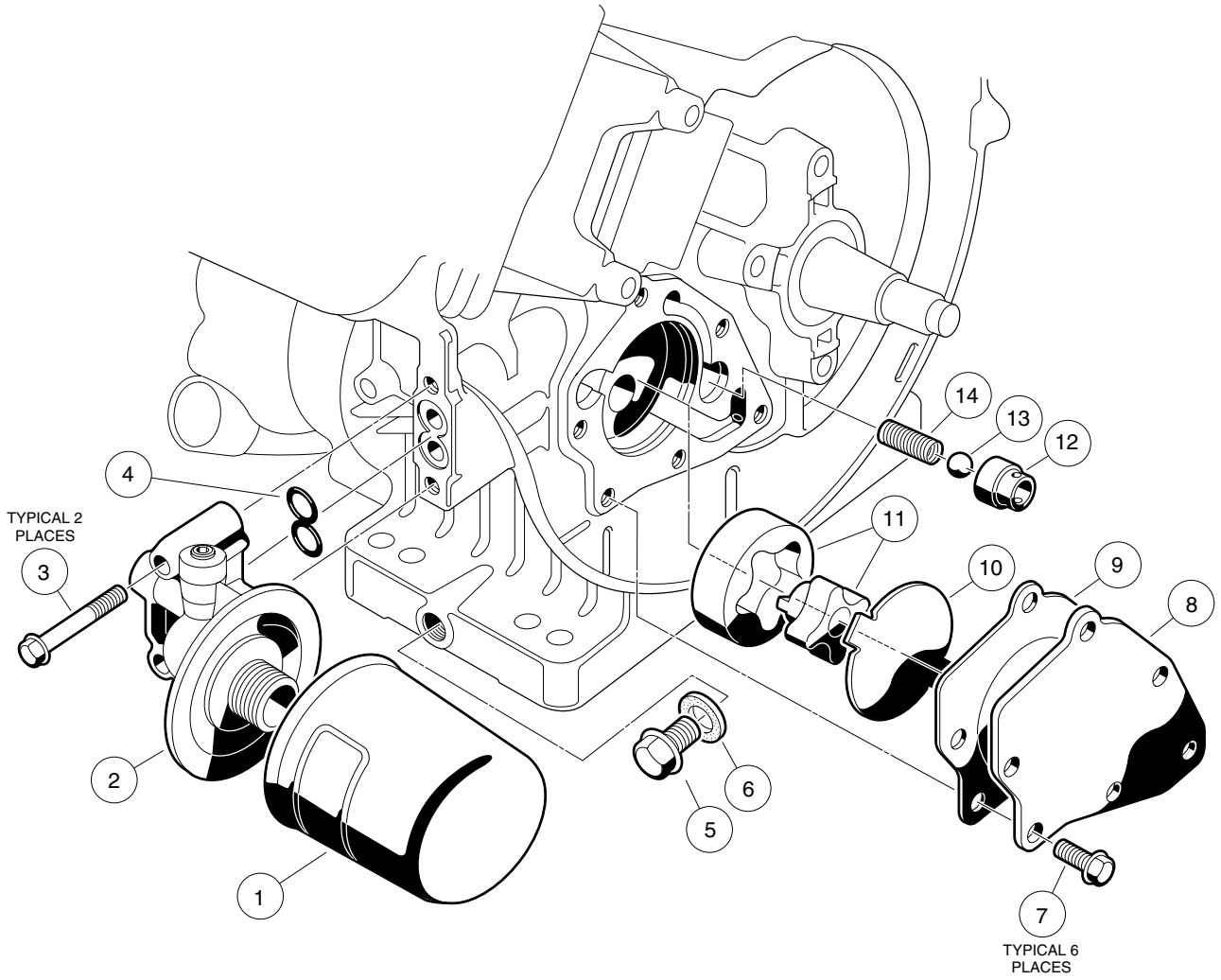




FE 290 ENGINE

ITEM	PART NO.	DESCRIPTION	QTY
		1 2 3 4	
1	1019157-01	FLYWHEEL	1
2	1019158-01	FAN, FLYWHEEL, GRAY	1
3	1017448	SCREW, FLANGED HEX HEAD, M6 x 1 x 10MM	3
4	1016548	WASHER, FLAT, 16MM	1
5	1016505	NUT, HEX, M16 x 2	1
6	1017455	PLATE, FLYWHEEL FAN	1
7	1016562	KEY	1
8	1016455	BOLT, FLANGED, M5 x .8 x 25MM	2
9	1019092-01	COIL, IGNITION (WITH INTERNAL IGNITER)	1
10	1016578	GROMMET	1
11	1016588	TUBE, 7MM x 70MM	1
12	1016493	ASSEMBLY, PLUG CAP	1
13	1016111	SPARK PLUG - OHV	1
14	1016456	BOLT, FLANGED, M6 x 1 x 12MM	2
15	1012981	CLAMP	1
16	1016579	MOUNT, RPM LIMITER	1
17	1016586	DAMPER, RPM LIMITER	1
18	1019094-01	LIMITER, RPM - OHV	1
19	1016445	BRACKET, RPM LIMITER	1
20	1019095-01	CLAMP	1
21	1016497	SCREW, CROSS PAN HEAD, M5 x .8 x 8MM	1
22	1016544	SCREW, CROSS PAN HEAD SELF-TAPPING, M5 x .8 x 12MM	1
23	1016561	CLAMP	1
24	1016587	CLAMP	1
25	1019093-01	WIRE, LEAD	1

8
G

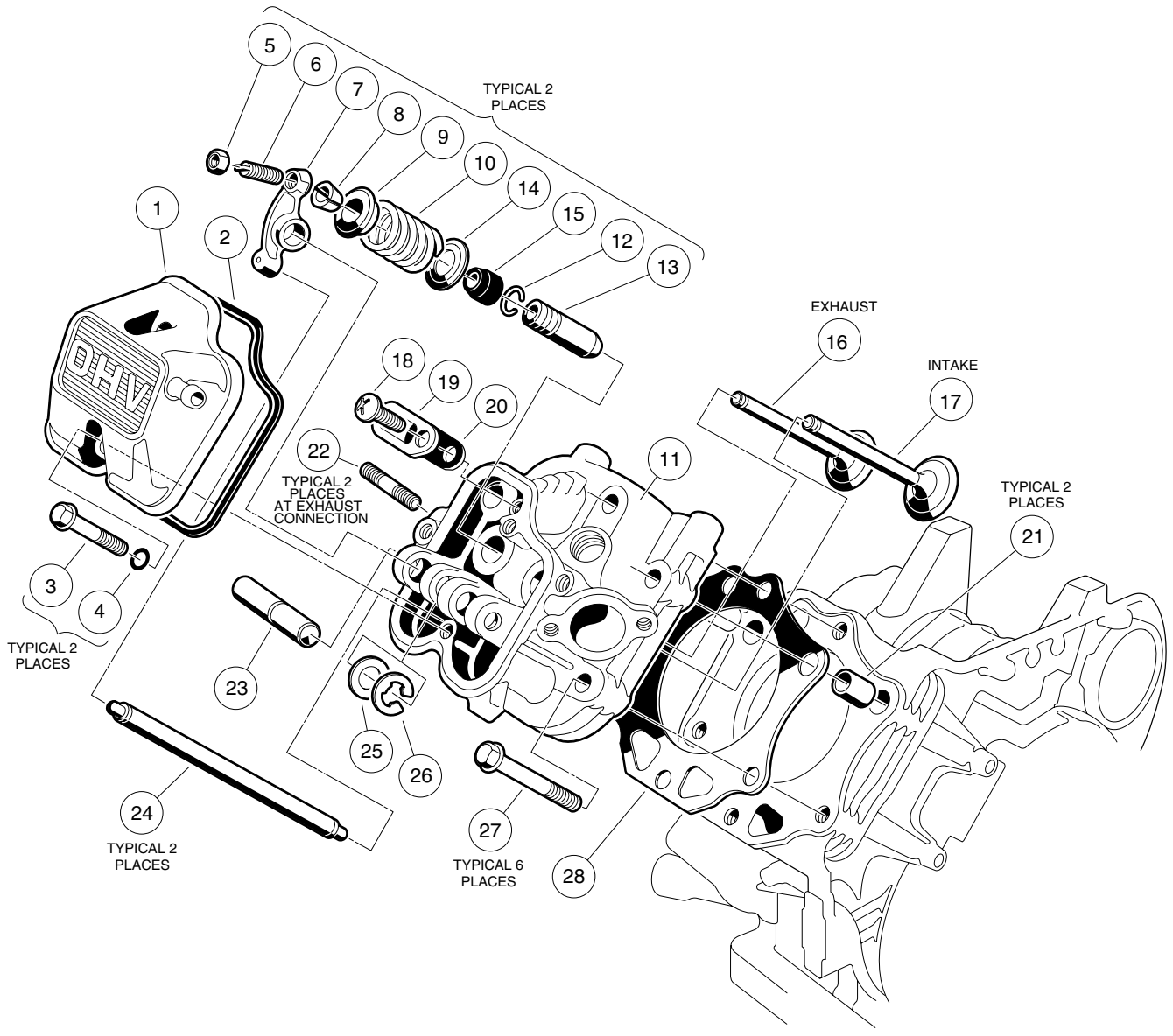


FE 290 ENGINE

ITEM	PART NO.	DESCRIPTION	QTY
		1 2 3 4	
1	1016467	ASSEMBLY, OIL FILTER, OHV	1
2	1016502	BRACKET, OIL FILTER	1
3	1016457	BOLT, FLANGED HEX HEAD, M6 x 1 x 40MM	2
4	1016570	O-RING, OIL FILTER MOUNT	1
5	1016576	PLUG, DRAIN, FE 290	1
6	1016432	GASKET, DRAIN PLUG	1
7	1017456	SCREW, FLANGED HEX HEAD, M6 x 1 x 12MM	6
8	1016484	COVER, PUMP	1
9	1016435	GASKET, OIL PUMP	1
10	1016473	PLATE, OIL PUMP	1
11	1016482-03	PUMP, OIL, AND ROTOR	1
12	1016429	SEAT, VALVE	1
13	1016537	BALL, STEEL, PRESSURE RELIEF	1
14	1016581	SPRING	1

8

G



FE 290 ENGINE

ITEM	PART NO.	DESCRIPTION	QTY
		1 2 3 4	
1	1016442	CASE, ROCKER	1
2	1016436	GASKET, ROCKER CASE	1
3	1016583	BOLT, FLANGED, M6 x 1 x 35MM	2
4	1016569	O-RING	2
5	1016545	NUT, HEX, M5 x .8	2
6	1016542	SCREW, STUD, M5 x .8	2
7	1016451	ARM, ROCKER	2
8	1016450	COLLET	2
9	1016449	RETAINER, VALVE SPRING	2
10	1016523	SPRING, ENGINE VALVE	2
11	1016431	ASSEMBLY, CYLINDER HEAD, OHV (INCLUDES ITEMS 12 AND 13)	1
12	1016560	RING, SNAP	2
13	1016519	GUIDE, VALVE	2
14	1016479	SEAT, SPRING	2
15	1016566	SEAL, VALVE	2
16	1016448	VALVE, EXHAUST	1
17	1016447	VALVE, INTAKE	1
18	1016544	SCREW, CROSS PAN HEAD SELF-TAPPING, M5 x .8 x 12MM	1
19	1016474	PLATE	1
20	1016483	VALVE	1
21	1016563	PIN	2
22	1016489	BOLT, STUD, M8 x 1.25 x 29MM	2
23	1016452	SHAFT, ROCKER	1
24	1016471	ROD, PUSH	2
25	1016549	WASHER, FLAT, M12	1
26	1016517	CIRCLIP, TYPE E	1
27	1016458	BOLT, FLANGED, M8 x 1.25 x 45MM	6
28	1016430	GASKET, HEAD	1

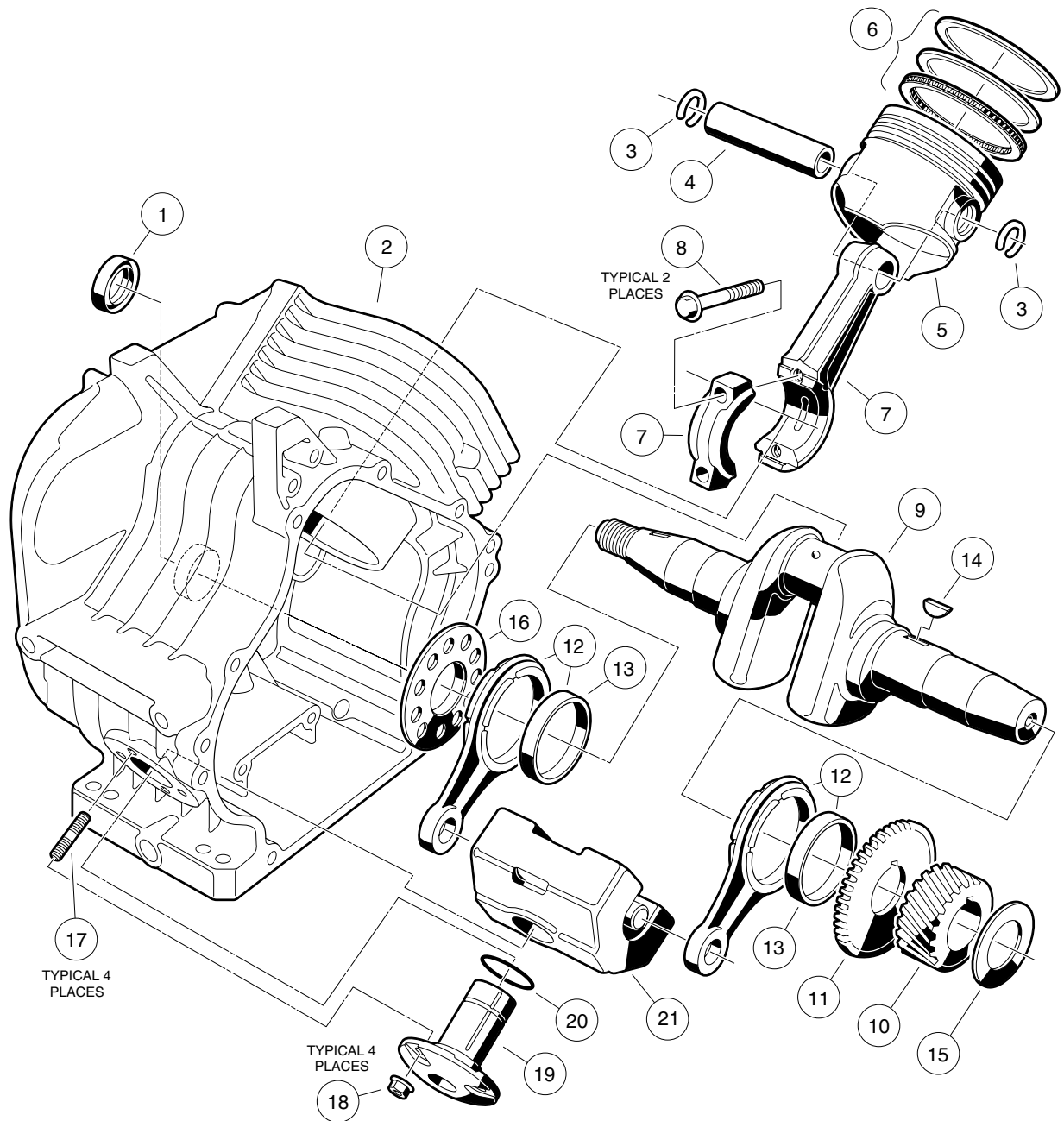
8

G

FE 290 ENGINE

8
G

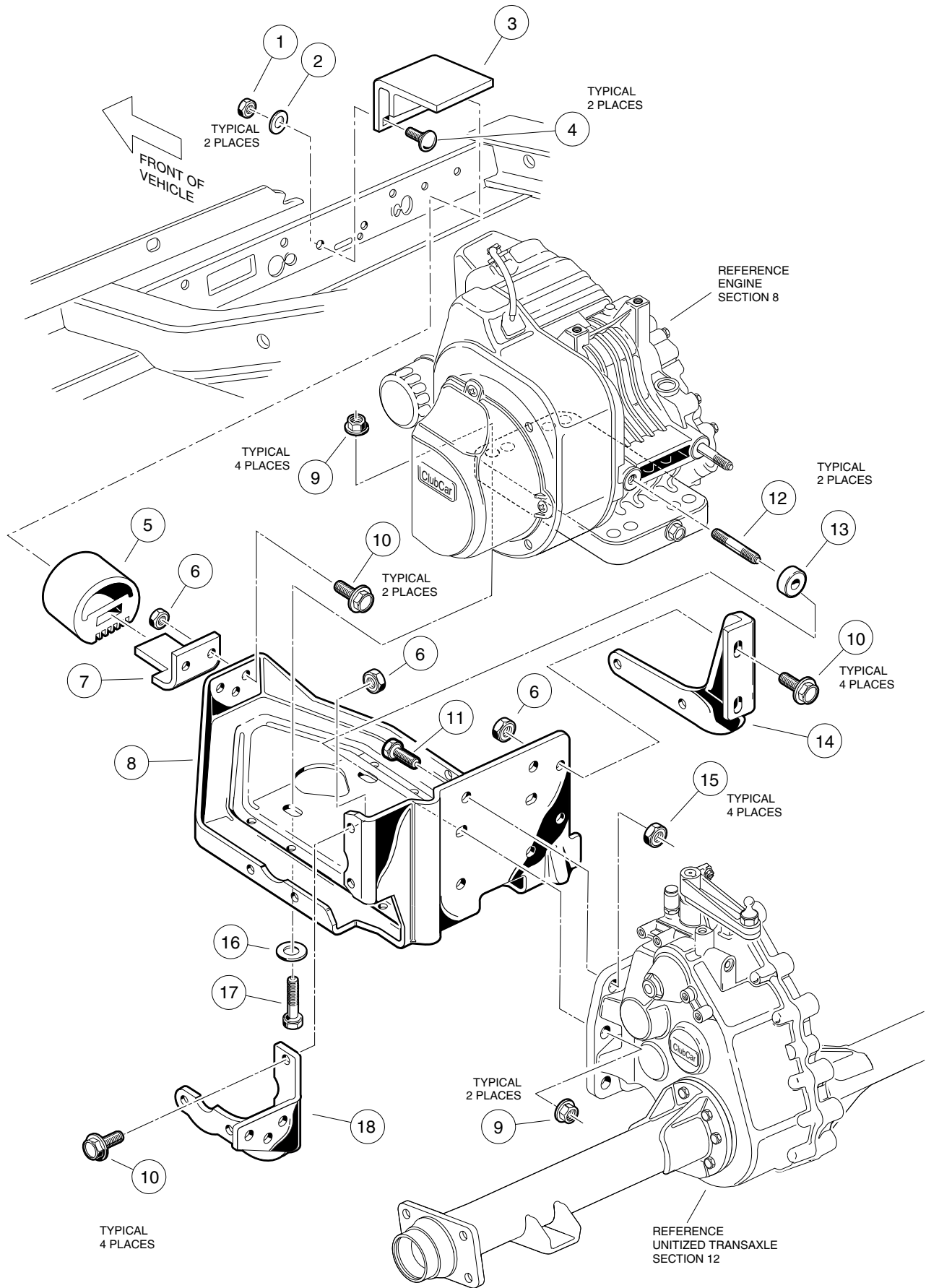
ITEM	PART NO.	DESCRIPTION	QTY
		1 2 3 4	
1	1016535	CONNECTOR, CORD	1
2	1016538	O-RING	1
3	1016506	CLAMP	1
4	1016544	SCREW, CROSS PAN HEAD SELF-TAPPING, M5 x .8 x 12MM	1
5	1016564	PIN	2
6	1016565	BEARING, BALL	1
7	1016567	SEAL, CRANKSHAFT	1
8	1016584	BOLT, 2-ENDED, M8 x 1.25 x 69MM	2
9	1016458	BOLT, FLANGED, M8 x 1.25 x 45MM	6
10	1016520	COVER, CRANKCASE	1
11	1016446	GASKET, CRANKCASE COVER	1
12	1016456	BOLT, FLANGED, M6 x 1 x 12MM	2
13	1016510	BRACKET, OIL LEVEL SWITCH	1
14	1016494	SENSOR, OIL LEVEL	1
15	1016496	SCREW, CROSS PAN HEAD, M4 x .7 x 8MM	3
16	1016454	BOLT, FLANGED, M5 x .8 x 8MM	2
17	1016472	PLATE, OIL FILTER SCREEN	1
18	1016521	SCREEN, OIL FILTER	1
19	1019154-01	CAMSHAFT, COMPLETE	1
20	1016453	TAPPET	2



FE 290 ENGINE

8
G

ITEM	PART NO.	DESCRIPTION	QTY
		1 2 3 4	
1	1016568	SEAL, OIL	1
2	1019155-01	CRANKCASE, COMPLETE, OHV	1
3	1016558	RING, SNAP	2
4	1016460	PIN, PISTON	1
5	1016459-01	PISTON, STANDARD	1
5	1016459-02	PISTON, .25MM OVERSIZED	1
5	1016459-03	PISTON, .50MM OVERSIZED	1
6	1016461-01	RING SET, PISTON, STANDARD	1
6	1016461-02	RING SET, PISTON, .25MM OVERSIZED	1
6	1016461-03	RING SET, PISTON, .50MM OVERSIZED	1
7	1016475-01	ASSEMBLY, CONNECTING ROD, STANDARD (INCLUDES 2 EACH OF ITEM 8)	1
7	1016475-02	ASSEMBLY, CONNECTING ROD, .50MM UNDERSIZED (INCLUDES 2 EACH OF ITEM 8)	1
8	1016509	BOLT, HEX HEAD, M7 x 1 x 36MM	2
9	1019223-01	CRANKSHAFT, OHV (INCLUDES ITEMS 10, 11 AND 12)	1
10	1016533	GEAR, HELICAL	1
11	1016532	GEAR, SPUR	1
12	1016516	ASSEMBLY, CONNECTING ROD (INCLUDES ITEM 13)	2
13	1016580	BEARING, PLAIN	2
14	1016562	KEY	1
15	1016550-01	SHIM, CRANKSHAFT, 1.13MM THICK	A/R
15	1016550-02	SHIM, CRANKSHAFT, 1.18MM THICK	A/R
15	1016550-03	SHIM, CRANKSHAFT, 1.23MM THICK	A/R
15	1016550-04	SHIM, CRANKSHAFT, 1.28MM THICK	A/R
15	1016550-05	SHIM, CRANKSHAFT, 1.33MM THICK	A/R
15	1016550-06	SHIM, CRANKSHAFT, 1.38MM THICK	A/R
15	1016550-07	SHIM, CRANKSHAFT, 1.43MM THICK	A/R
15	1016550-08	SHIM, CRANKSHAFT, 1.48MM THICK	A/R
15	1016550-09	SHIM, CRANKSHAFT, 1.53MM THICK	A/R
16	1016559	SPACER	1
17	1016541	BOLT, STUD, M6 x 1 x 22MM	4
18	1016547	NUT, FLANGED, M6 x 1	4
19	1016470	SHAFT, GUIDE COUNTERBALANCE	1
20	1016571	O-RING	1
21	1016469	WEIGHT, COUNTERBALANCE	1



ENGINE MOUNTING

8
G

ITEM	PART NO.	DESCRIPTION	QTY
		1 2 3 4	
1	0007473	NUT, NYLON LOCK, 5/16 - 18	2
2	0001241	WASHER, FLAT, 5/16 - 18	2
3	1018646-01	RETAINER, SNUBBER	1
4	1010435	BOLT, CARRIAGE, 5/16 - 18 x 1	2
5	1012164	SNUBBER	1
6	1013924	NUT, HEX LOCK, 5/16 - 24, UNF	10
7	1018346-01	BRACKET, SNUBBER	1
8	1018271-01	PLATE, MOUNTING	1
9	1018330-01	NUT, FLANGE, M8 x 1.25	6
10	1018848-01	SCREW, HEX WASHER, 5/16 -248 x 7/8	10
11	1018333-01	SCREW, HEX HEAD CAP, M10 x 1.25 x 30MM	4
12	1018332-01	STUD, M8 x 1.25	2
13	1018321-01	SPACER	2
14	1018326-01	STIFFENER, DRIVE CLUTCH SIDE	1
15	1018329-01	NUT, FLANGE, M10 x 1.25	4
16	1012571	WASHER, HEAVY FLAT, 5/16	4
17	1018559-01	SCREW, HEX HEAD CAP, M8 x 1.25 x 43MM	4
18	1018327-01	STIFFENER, FLYWHEEL SIDE	1

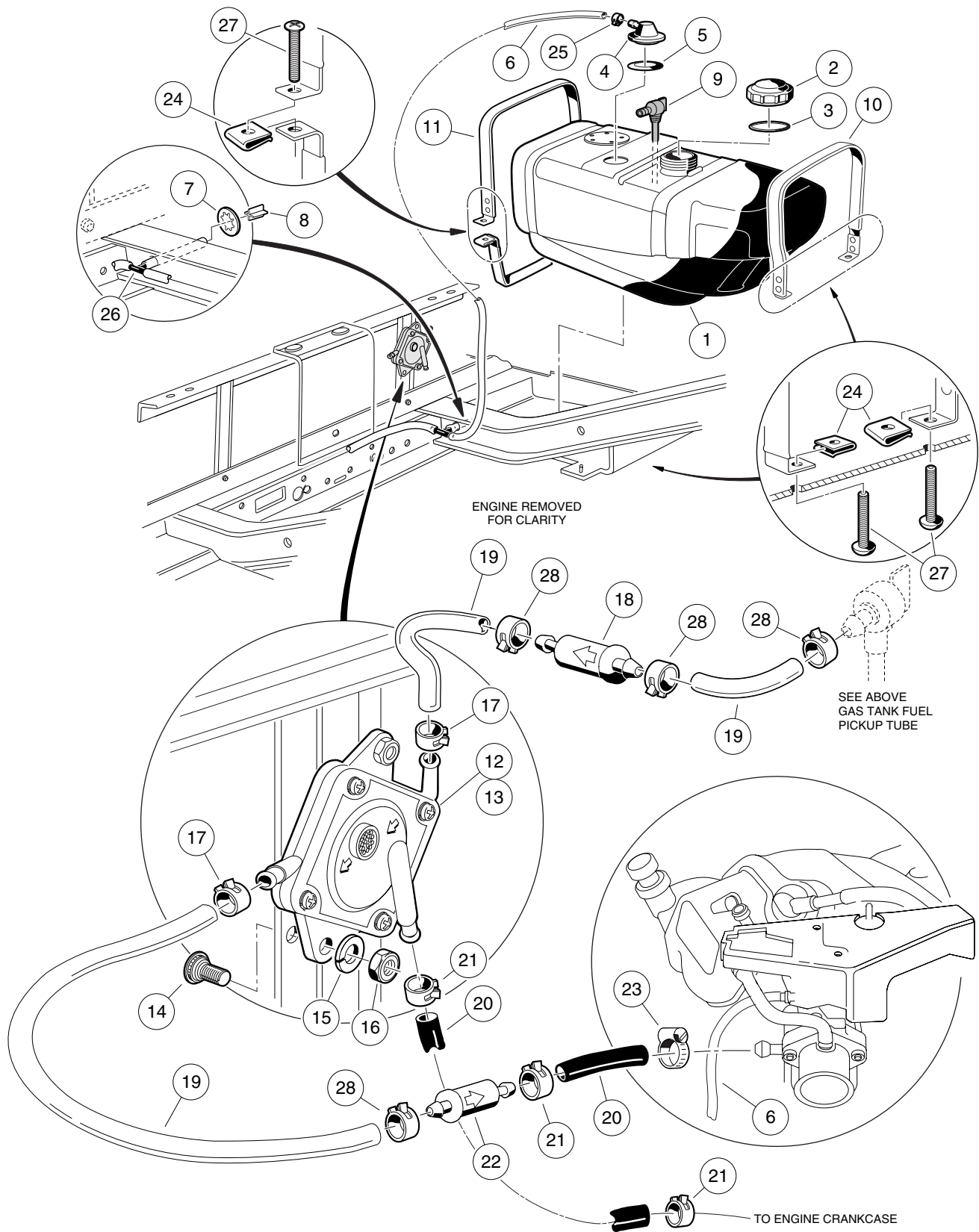
8

G

FUEL, INTAKE, AND GOVERNOR SYSTEMS

9

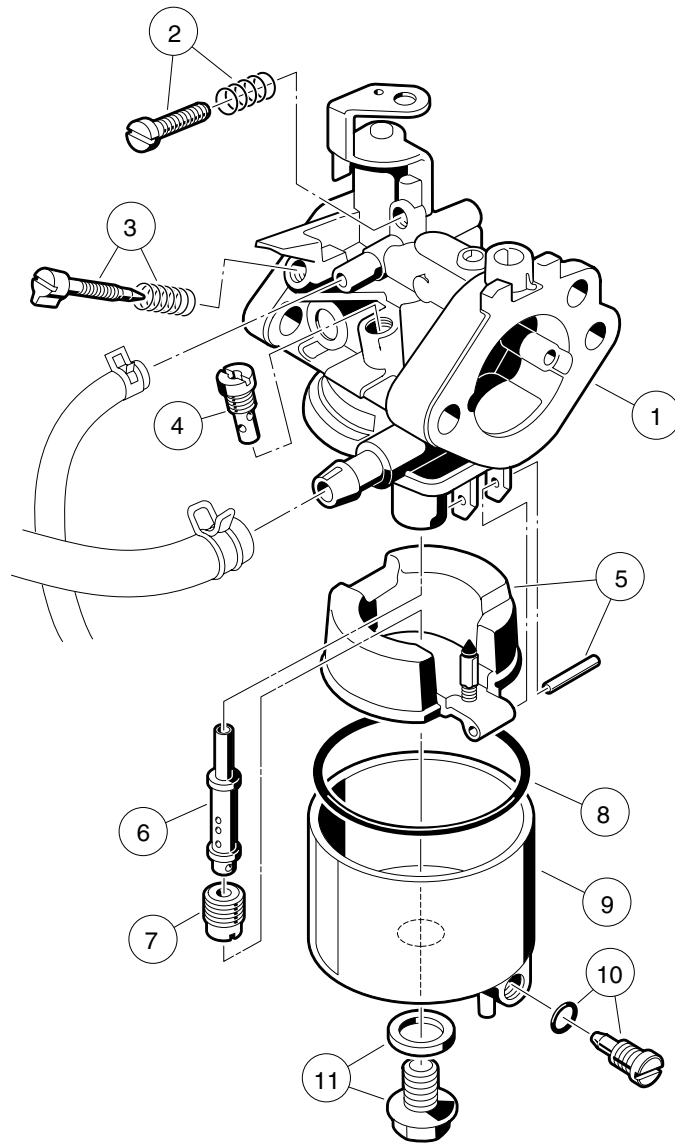
G



FUEL SYSTEM

9
G

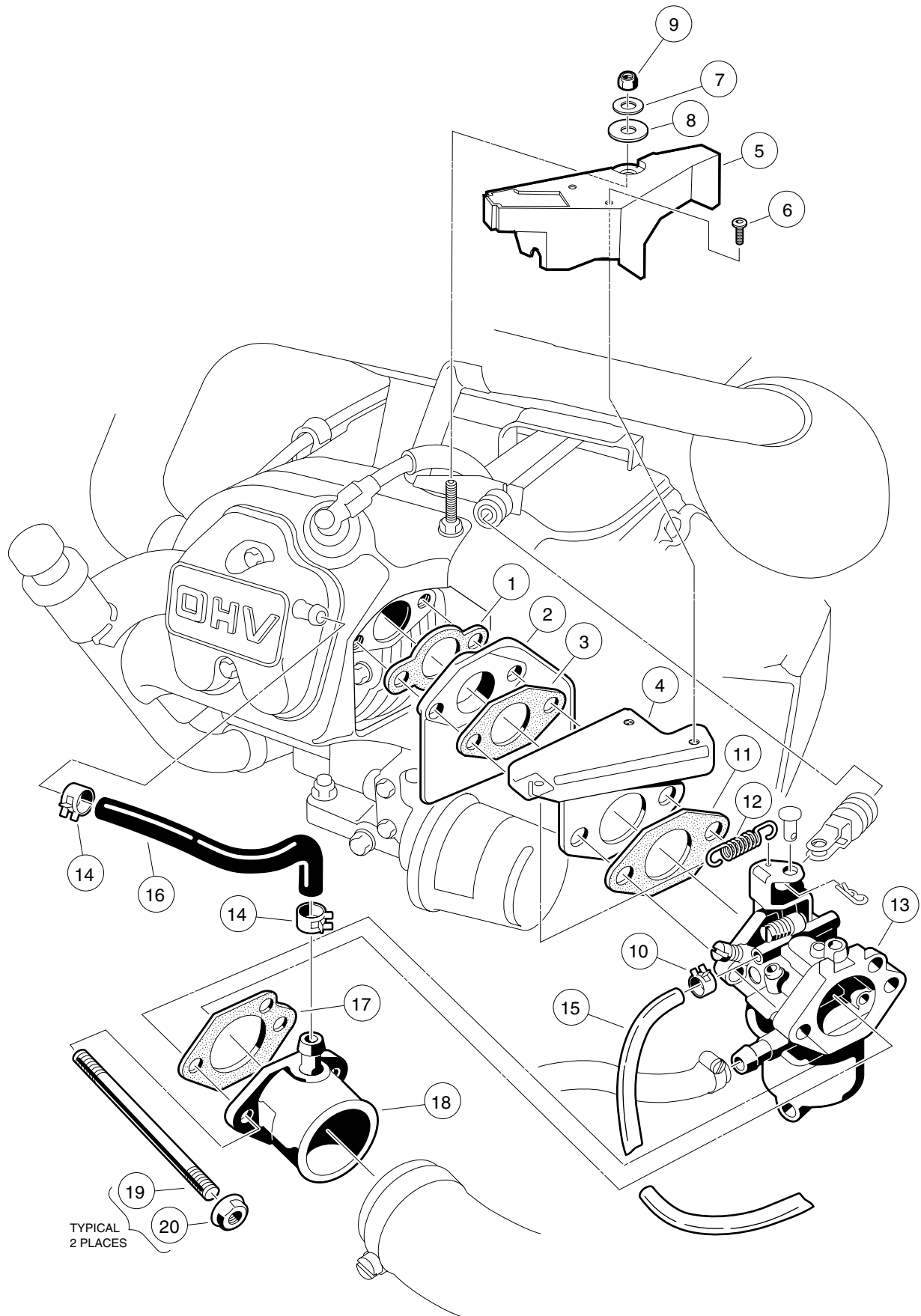
ITEM	PART NO.	DESCRIPTION	QTY
		1 2 3 4	
1	1016003	KIT, FUEL TANK, (INCLUDES ITEMS 2 - 9)	1
2	1015188	CAP, FUEL TANK, NONVENTED (INCLUDES ITEM 3)	1
3	1014535	GASKET, FUEL CAP	1
4	1015143	ASSEMBLY, FUEL TANK VENT	1
5	1015139	GROMMET, INSULATION	1
6	1015137	LINE, BULK VENT (AVAILABLE BY THE FOOT)	A/R
7	1016059	CLIP, STUD	1
8	1018244-01	BARB, VENT	1
9	1018969-01	VALVE, FUEL PICKUP TUBE WITH SHUT-OFF	1
10	1014928	ASSEMBLY, REAR FUEL STRAP	1
11	1019553-01	ASSEMBLY, FRONT FUEL STRAP	1
12	1014523	PUMP, FUEL IMPULSE, SQUARE BODY	1
13	1014524	PUMP, FUEL IMPULSE, SQUARE BODY REBUILD KIT	1
14	1010433	STUD, FLUSH HEAD, 1/4 - 20 x 3/4	2
15	0000451	WASHER, LOCK, 1/4	2
16	0001028	NUT, HEX, 1/4 - 20	2
17	1013134-01	CLAMP, HOSE (BLACK)	2
18	1013684	FILTER , PRIMARY FUEL (WHITE)	1
19	1012293	LINE, BULK FUEL (YELLOW)	A/R
20	1013692	LINE, BULK FUEL (BLACK)	A/R
21	1012649	CLAMP, HOSE (RED)	3
22	1014522	FILTER, SECONDARY FUEL (BLUE)	1
23	1013687	CLAMP, HOSE, 3/8	1
24	1014116	NUT, U-TYPE SPEED, 1/4 - 20	3
25	1013746	CLAMP, HOSE	1
26	1019556-01	T-FITTING	1
27	1011988	SCREW, PHILLIPS TRUSS HEAD, 1/4 - 20 x 2	3
28	1013134-02	CLAMP, HOSE (GREEN)	4



CARBURETOR ASSEMBLY

ITEM	PART NO.	DESCRIPTION	QTY
		1 2 3 4	
1	1019056-01	ASSEMBLY, CARBURETOR (INCLUDES ITEMS 2 - 11)	1
2	1016501	ASSEMBLY, IDLE SCREW	1
3	N/A	ASSEMBLY, PILOT AIR SCREW	1
4	1019731-01	JET, PILOT, #40	1
5	1016486	ASSEMBLY, FLOAT	1
6	1019732-01	NOZZLE, MAIN	1
		STANDARD JETTING:	
7	1016425-82	JET, MAIN, 0 - 3,000 FEET	A/R
7	1016425-80	JET, MAIN, 3,000 - 5,000 FEET	A/R
7	1016425-78	JET, MAIN, 5,000 - 8,000 FEET	A/R
7	1016425-75	JET, MAIN, 8,000 - 10,000 FEET	A/R
7	1016425-72	JET, MAIN, 10,000 FEET AND ABOVE	A/R
8	1016437	GASKET, FLOAT CHAMBER	1
9	1017461	ASSEMBLY, FLOAT CHAMBER (INCLUDES ITEM 10)	1
10	1016499	ASSEMBLY, SCREW	1
11	1016585	ASSEMBLY, BOLT	1

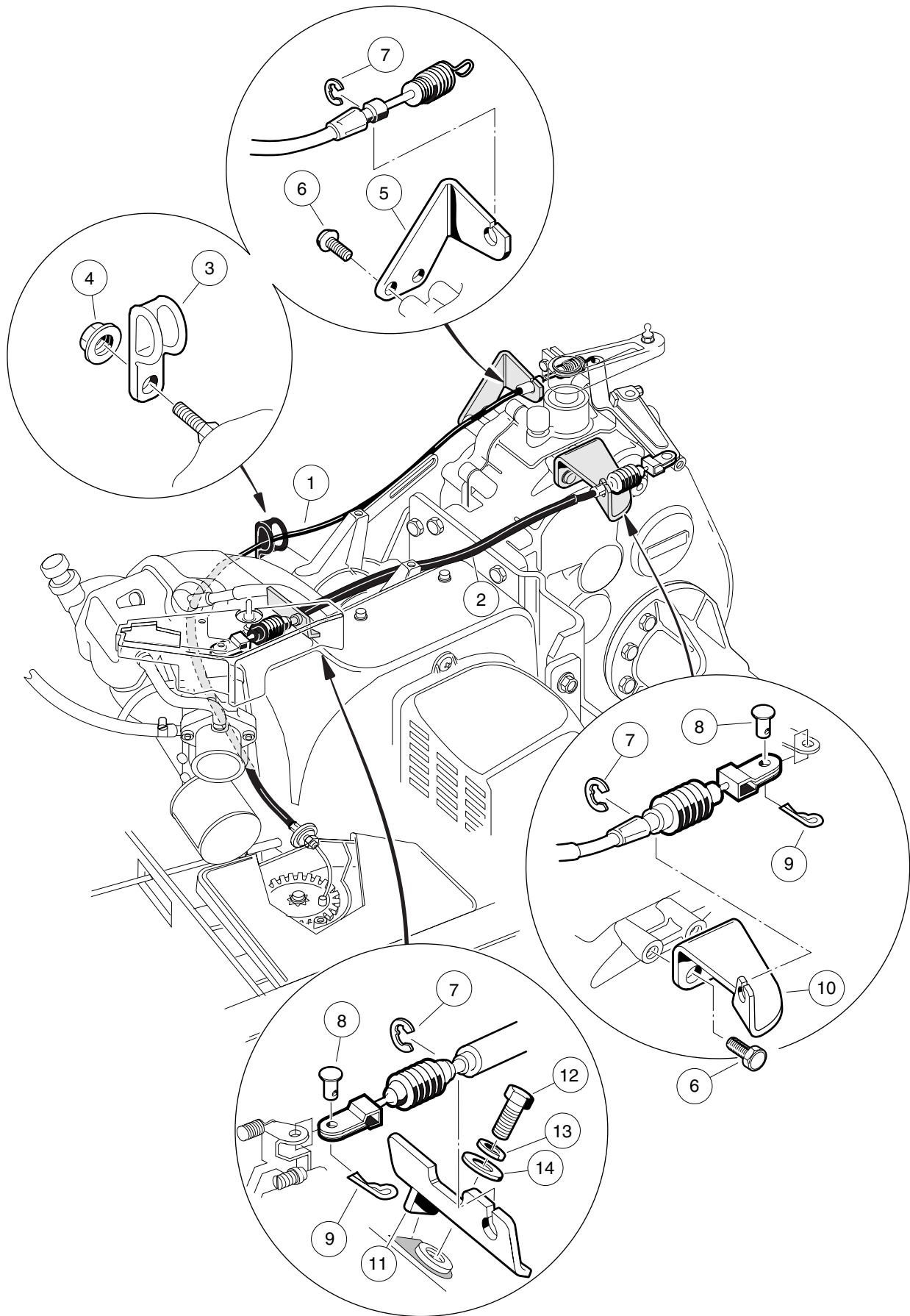
9
G



CARBURETOR INSTALLATION

ITEM	PART NO.	DESCRIPTION	QTY
		1 2 3 4	
1	1016440	GASKET, INSULATOR	1
2	1016481-02	INSULATOR, CARBURETOR	1
3	1016439	GASKET, CARBURETOR INSULATOR TO THROTTLE BRACKET	1
4	1016444	BRACKET, THROTTLE	1
5	1018202-01	GUARD, GOVERNOR	1
6	1016103	SCREW, PAN/TORX HEAD SELF-TAPPING, #6 - 32 x 1/4	2
7	0000332	WASHER, FLAT, 1/4	1
8	0000334	WASHER, FLAT, 3/8	1
9	1018876-01	NUT, NYLON LOCK, M6 x 1	1
10	1013746	CLAMP, HOSE	1
11	1016441	GASKET, THROTTLE BRACKET TO CARBURETOR	1
12	1016582	SPRING, THROTTLE RETURN	1
13	1019056-01	ASSEMBLY, CARBURETOR	1
14	1017466	CLAMP, HOSE	2
15	1015137	LINE, BULK VENT	1
16	1016572	TUBE, CRANKCASE VENT	1
17	1016438	GASKET, CARBURETOR TO INTAKE MANIFOLD	1
18	1016480	PIPE, INTAKE	1
19	1016490-02	SCREW, 2-ENDED STUD, M6 x 1 x 90MM	2
20	1016547	NUT, FLANGED, M6 x 1	2

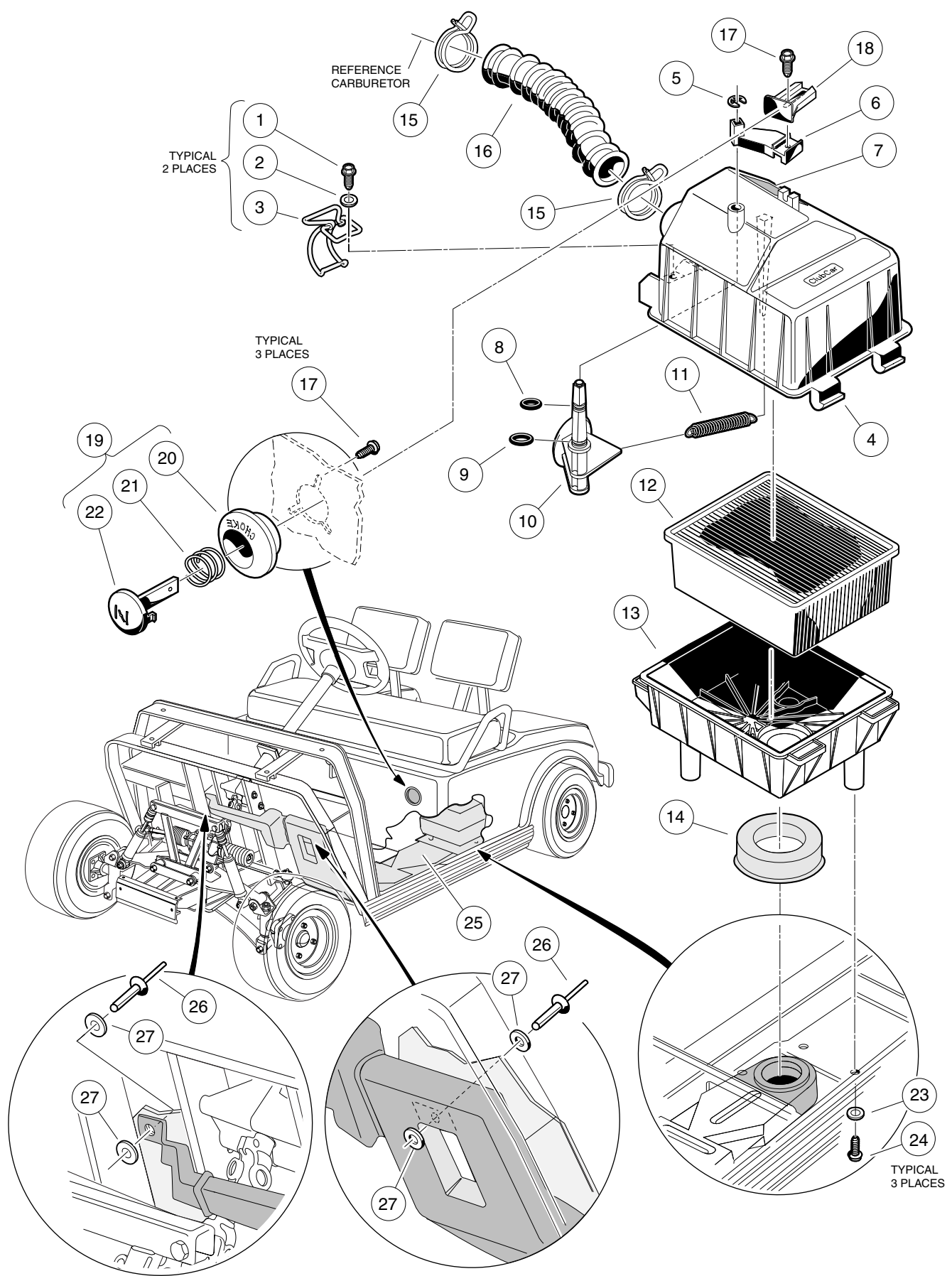
9
G



GOVERNOR AND ACCELERATOR CABLES

ITEM	PART NO.	DESCRIPTION	QTY
		1 2 3 4	
1	1018325-01	CABLE, ACCELERATOR	1
2	1018324-01	CABLE, GOVERNOR	1
3	1013700	CLAMP, CABLE RETAINING	2
4	1016546	NUT, FLANGED HEX, M8 x 1.25	2
5	1018323-01	BRACKET, ACCELERATOR SUPPORT	1
6	1012285	SCREW, THREAD ROLLING, 1/4 - 20 x 5/8	4
7	1016202	E-RING	3
8	1015408	PIN, GOVERNOR CABLE CLEVIS	2
9	1014413	PIN, HAIR SPRING COTTER, 1/8 I.D. x 5/8	2
10	1018322-01	BRACKET, SUPPORT	1
11	1015845	BRACKET, GOVERNOR CABLE ENGINE	1
12	1019035-01	SCREW, HEX HEAD CAP, M8 x 1.25 x 24 MM	1
13	0007174	WASHER, LOCK, 5/16	1
14	1011697	WASHER, FLAT, 5/16	1

9
G



INTAKE DUCT, CHOKE, AND AIR BOX ASSEMBLY

ITEM	PART NO.	DESCRIPTION	QTY
		1 2 3 4	
	1018215-01	ASSEMBLY, AIR BOX (INCLUDES ITEMS 1 - 14)	1
1	1018043-01	SCREW, HI-LO HEX HEAD, #8 - 1/2	2
2	1018817-01	WASHER, STAINLESS STEEL, #8	2
3	1019257-01	LATCH, WIRE	2
4	1018118-01	ASSEMBLY, AIR BOX TOP (INCLUDES ITEMS 5 - 11)	1
5	1018130-01	E-CLIP	1
6	1019176-01	LEVER, CHOKE	1
7	1019443-01	DECAL, SERVICE	1
8	N/A	O-RING, 5/16 (RED)	1
9	N/A	O-RING, 3/8 (GREEN)	1
10	N/A	VALVE, CHOKE	1
11	1018123-01	SPRING, RETURN	1
12	1015426	FILTER, AIR	1
13	1018119-01	BOTTOM, AIR BOX	1
14	1019215-01	SEAL, INTAKE	1
15	1019713-01	CLAMP, HOSE (AIR INTAKE)	2
16	1018371-01	HOSE, INTAKE	1
17	1018503-01	SCREW, HI-LO, #12 x 1/2	4
18	1019177-01	POSITIONER, CHOKE	1
19	1018057-01	ASSEMBLY, CHOKE BUTTON (INCLUDES ITEMS 20, 21 AND 22)	1
20	1018115-01	GUIDE, CHOKE LEVER	1
21	1018562-01	SPRING, COMPRESSION	1
22	1018114-01	LEVER, CHOKE	1
23	0000332	WASHER, FLAT, 1/4	3
24	1015752	SCREW, HI-LO, #12 - 16 x 5/8	3
25	1019581-01	ASSEMBLY, AIR DUCT	1
26	0001606	RIVET, POP, 3/16	2
27	0000183	WASHER, FLAT, #10	4
	1019710-01	AIR DUCT REPAIR KIT (NOT SHOWN)	A/R

9
G

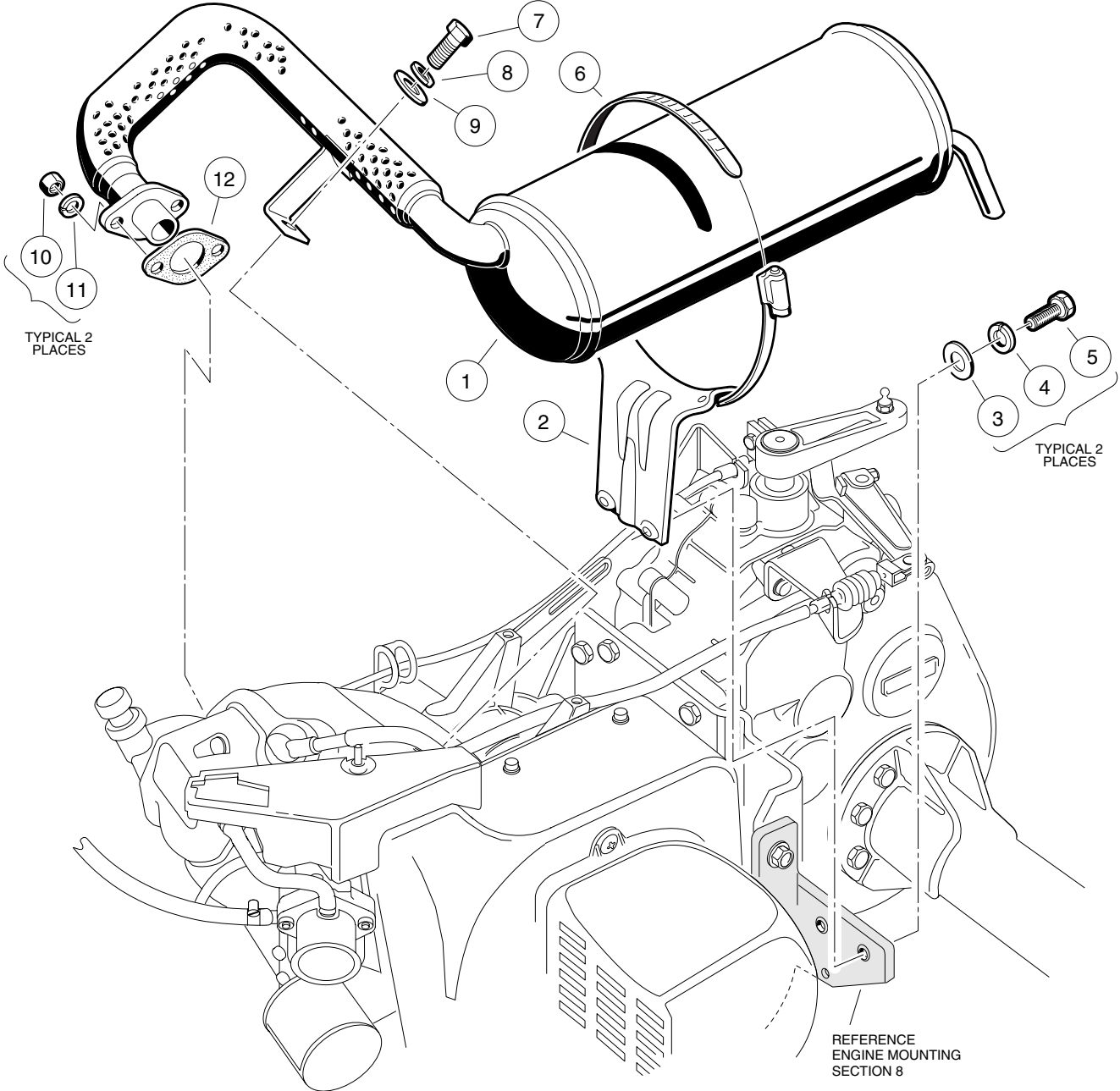
9

G

EXHAUST SYSTEM

10

G



EXHAUST SYSTEM

10
G

ITEM	PART NO.	DESCRIPTION	QTY
		1 2 3 4	
1	1018593-01	SYSTEM, EXHAUST	1
2	1015814	BRACKET, MUFFLER MOUNTING	1
3	0000332	WASHER, FLAT, 1/4	2
4	0000451	WASHER, LOCK, 1/4	2
5	0007847	SCREW, HEX HEAD, 1/4 - 20 x 3/4	2
6	1017689	CLAMP, MUFFLER	1
7	1019035-01	SCREW, HEX HEAD CAP, M8 x 1.25 x 24MM	1
8	0007174	WASHER, LOCK, 5/16	1
9	1015075	WASHER, FLAT, 5/16	1
10	1012528	NUT, HEX, M8 x 1.25	2
11	1013734	WASHER, LOCK, 8MM	2
12	1015330	GASKET, EXHAUST	1

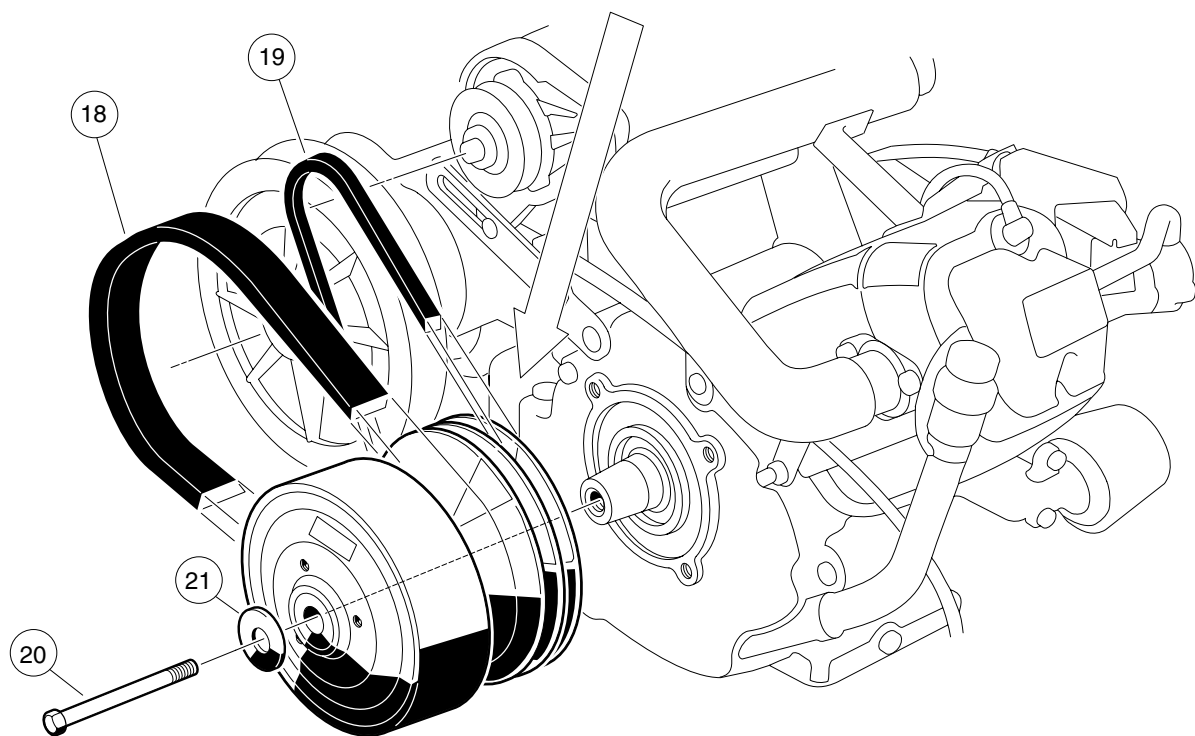
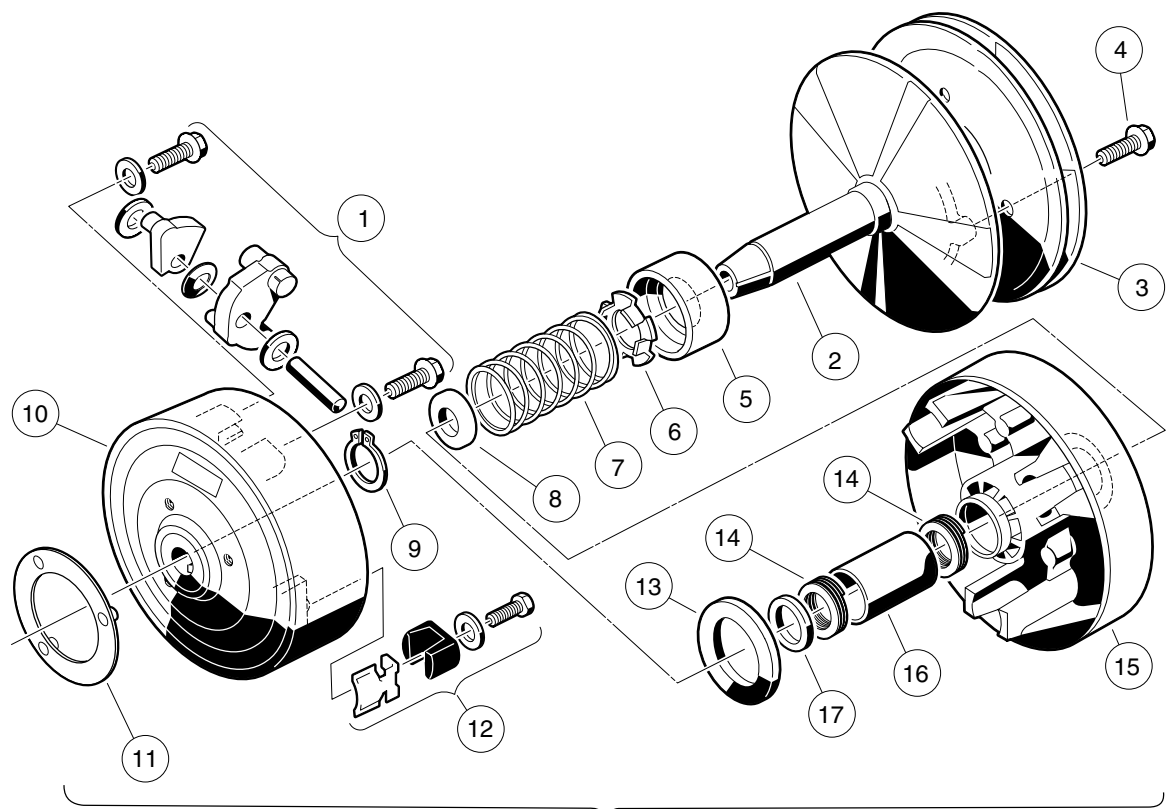
10

G

TORQUE CONVERTER

11

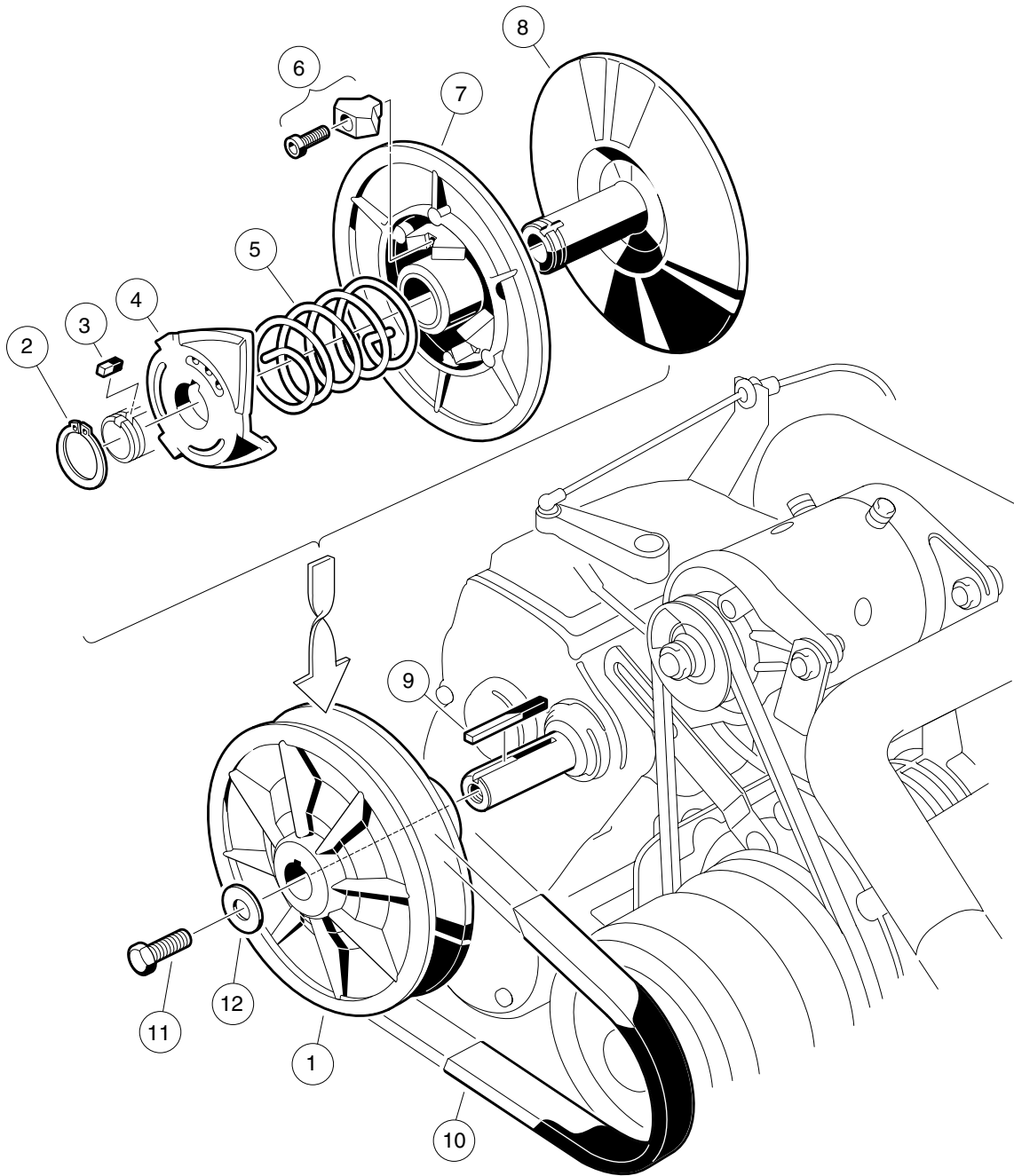
G



DRIVE CLUTCH

11
G

ITEM	PART NO.	DESCRIPTION	QTY
		1 2 3 4	
	1018339-02	ASSEMBLY, DRIVE CLUTCH (INCLUDES ITEMS 1 - 17)	1
1	1016801	KIT, DRIVE CLUTCH WEIGHT	1
2	1019298-01	ASSEMBLY, FIXED FACE (INCLUDES ITEMS 3 AND 4)	1
3	N/A	PULLEY	1
4	N/A	SCREW, WASHER HEAD HEX MACHINE	3
5	1014049	BEARING, IDLER	1
6	1014050	RETAINER, SPRING.....	1
7	1014051	SPRING, DRIVE CLUTCH - BLACK	1
8	1016289	SPACER, FIXED FACE SHAFT	1
9	1014057	RING, RETAINING	1
10	1014059	ASSEMBLY, DRIVE HUB	1
11	1019256-01	PLUG, DRIVE CLUTCH	1
12	1014453	KIT, DRIVE CLUTCH BUTTON	1
13	1014058	WASHER, THRUST	1
14	1014056	RING, SPIRAL BACK-UP	2
15	1014052	ASSEMBLY, MOVEABLE FACE (INCLUDES ITEMS 16 AND 17).....	1
16	N/A	BUSHING	1
17	1014055	RETAINER	1
18	1016203	BELT, DRIVE	1
19	1019167-01	BELT, STARTER/GENERATOR	1
20	1019165-01	SCREW, HEX HEAD CAP, 3/8 - 24 x 5 1/2 (LEFT HAND THREADS)	1
21	1017328	WASHER, MOUNTING - GREEN	1



DRIVEN CLUTCH

11
G

ITEM	PART NO.	DESCRIPTION	QTY
		1 2 3 4	
1	1018340-01	ASSEMBLY, DRIVEN CLUTCH (INCLUDES ITEMS 2 - 8)	1
2	1014080	RING, RETAINING	1
3	1014078	KEY	1
4	1017686	CAM	1
5	1018362-01	SPRING - GREEN	1
6	1014454	KIT, BUTTON	1
7	1014072	ASSEMBLY, MOVEABLE FACE, WITH BUSHING	1
8	1014070	ASSEMBLY, FIXED FACE	1
9	1018334-01	KEY, SQUARE TRANSMISSION	1
10	1016203	BELT, DRIVE	1
11	0007173	SCREW, HEX HEAD CAP, 5/16 - 18 x 3/4	1
12	1017327	WASHER, MOUNTING - YELLOW	1

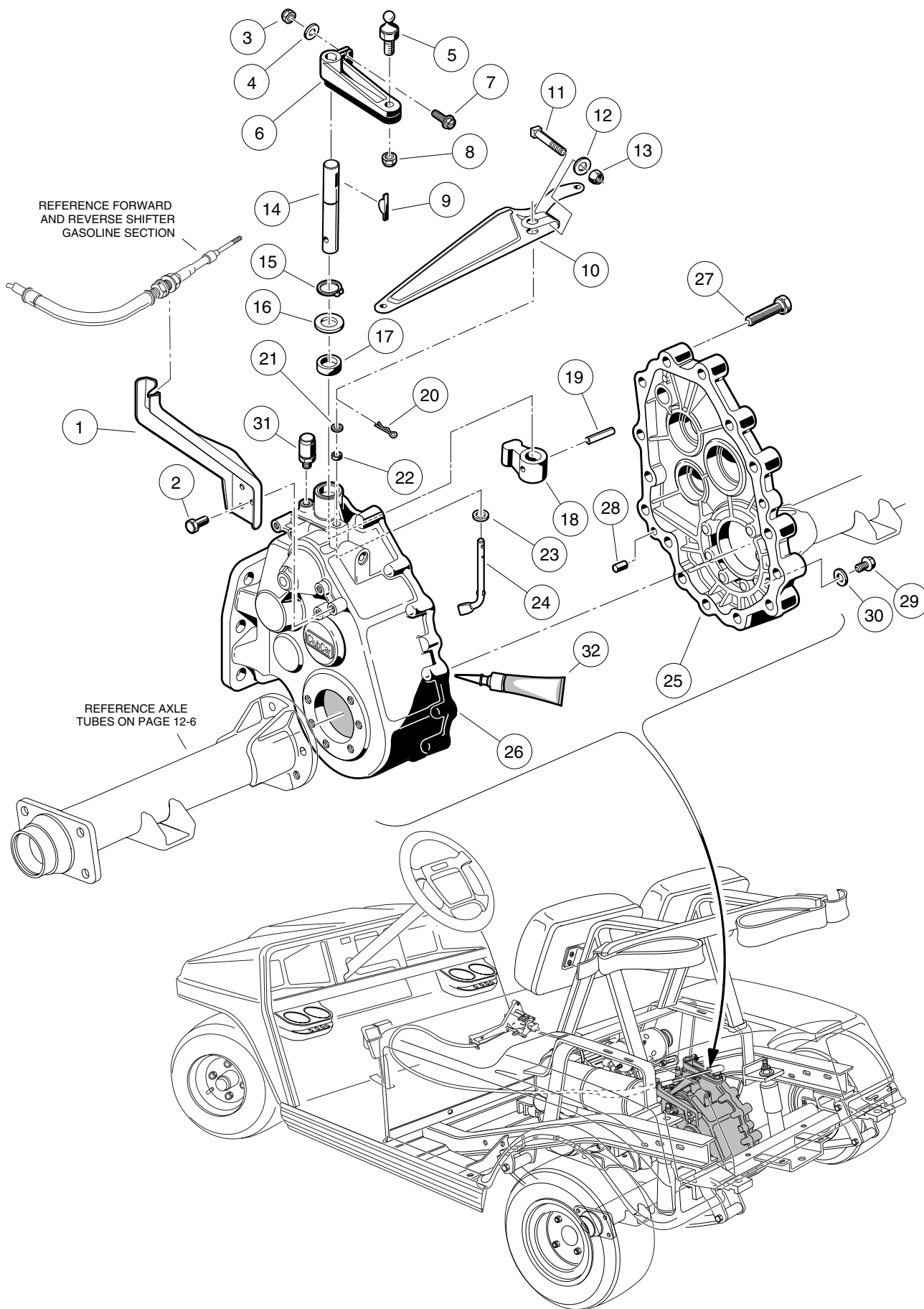
11

G

UNITIZED TRANSAXLE GASOLINE VEHICLE

12

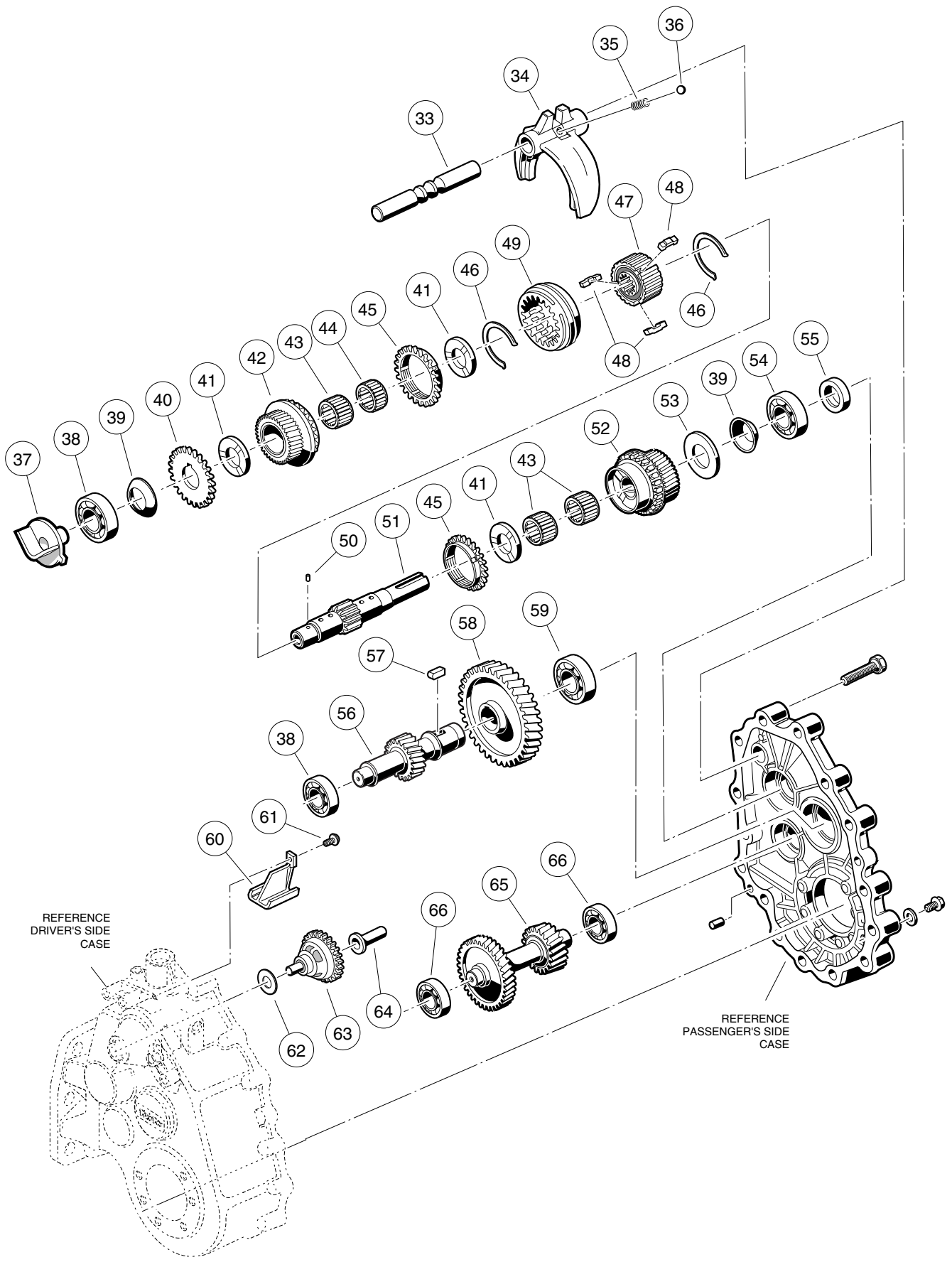
G



UNITIZED TRANSAXLE - GASOLINE VEHICLE

ITEM	PART NO.	DESCRIPTION	QTY
		1 2 3 4	
1	1019226-01	BRACKET, TRANSMISSION CABLE SUPPORT	1
2	1012285	SCREW, THREAD ROLLING, 1/4 - 20 x 5/8	3
3	1013061	NUT, NYLON LOCK, #10 - 32	1
4	0000183	WASHER, FLAT, #10	1
5	1010954	STUD, BALL, 1/4 - 28 x 9/16	1
6	1016341	LEVER, TRANSMISSION SHIFTER	1
7	1017082	SCREW, HEX WASHER HEAD, #10 - 32 x 3/4	1
8	0008717	NUT, NYLON LOCK, 1/4 - 28	1
9	1017231	KEY, WOODRUFF	1
10	1018348-01	ARM, GOVERNOR LEVER	1
11	1018861-01	SCREW, SQUARE HEAD, 1/4 - 20 x 1	1
12	0000332	WASHER, FLAT	1
13	0008233	NUT, NYLON LOCK, 1/4 - 20	1
	1018336-01	UNITIZED TRANSAXLE (INCLUDES ITEMS 14 - 90)	1
14	1018902-01	SHAFT, SHIFTER	1
15	1019273-01	RING, SNAP	1
16	1018929-01	WASHER, FLAT	1
17	1019272-01	SEAL, OIL	1
18	1018901-01	LEVER, SHIFTER	1
19	1012752	PIN, ROLL	1
20	1019286-01	PIN, COTTER	1
21	1016513	WASHER, FLAT	1
22	1019271-01	SEAL, OIL	1
23	1018938-01	WASHER	1
24	1018913-01	ARM, PIVOT	1
25	1018906-01	GEAR CASE (RIGHT)	1
26	1018905-01	GEAR CASE (LEFT)	1
27	1019269-01	BOLT, FLANGED, M8 x 1.25 x 40MM	15
28	1012896	PIN, DOWEL	2
29	1013759	PLUG, DRAIN (INCLUDES ITEM 30)	2
30	1016432	GASKET	1
31	1012711	BREATHER	1
32	1019287-01	GASKET, LIQUID, 8.8 OZ. (250 GRAMS)	A/R

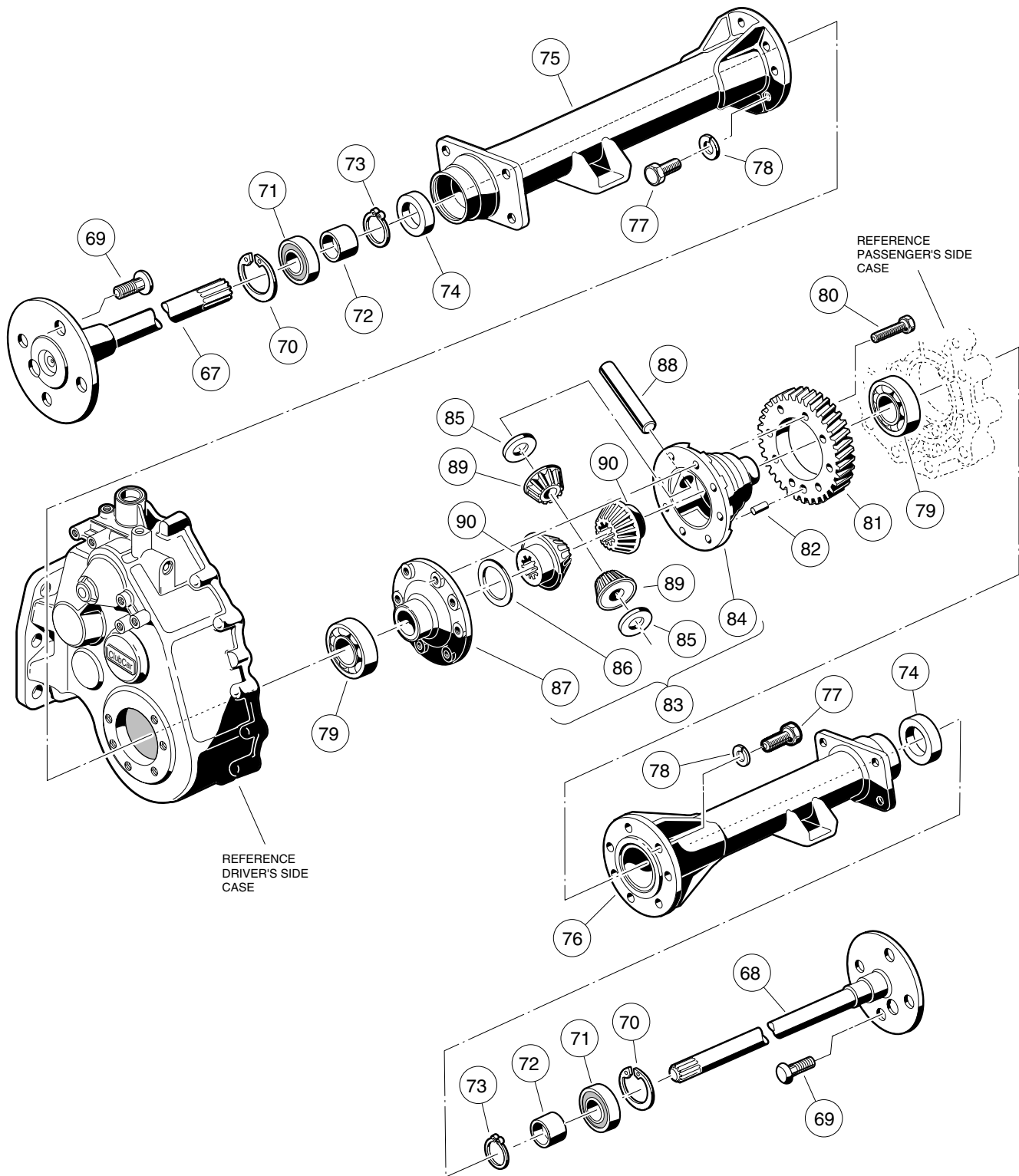
12
G



UNITIZED TRANSAXLE - GASOLINE VEHICLE

ITEM	PART NO.	DESCRIPTION	QTY
		1 2 3 4	
33	1018920-01	ROD, SHIFT	1
34	1018900-01	FORK, SHIFT	1
35	1012748	SPRING	1
36	1012747	BALL, STEEL	1
37	1018894-01	GUIDE	1
38	0007336	BEARING, BALL	4
39	1016338	WASHER, SPRING	2
40	1018924-01	GEAR, SPUR	1
41	1018922-01	PLATE, THRUST	3
42	1018897-01	GEAR ASSEMBLY, 28 TOOTH, INPUT (13°) (SEE PARTS BULLETIN 98-21)	1
43	1019276-01	BEARING, NEEDLE	3
44	1019275-01	BEARING, NEEDLE	1
45	1012742	RING, SYNCHRONIZER (13°) (SEE PARTS BULLETIN 98-21)	2
46	1012741	SPRING, SYNCHRONIZER	2
47	1019280-01	HUB, SYNCHRONIZER CLUTCH	1
48	1012740	INSERT, SYNCHRONIZER	3
49	1019279-01	SLEEVE, SYNCHRONIZER	1
50	1019277-01	PIN, DOWEL	1
51	1018899-01	SHAFT, INPUT	1
52	1018896-01	GEAR ASSEMBLY, 25 TOOTH, INPUT (13°) (SEE PARTS BULLETIN 98-21)	1
53	1016337	WASHER, THRUST	1
54	1019278-01	BEARING, BALL	1
55	1012714	SEAL, OIL, INPUT SHAFT	1
56	1018926-01	GEAR, 17 TOOTH	1
57	1018932-01	KEY	1
58	1018925-01	GEAR, 61 TOOTH	1
59	1019281-01	BEARING, BALL	1
60	1018895-01	GUIDE, OIL	1
61	1019282-01	SCREW, M8 x 1.25 x 10 MM	1
62	1018939-01	WASHER	1
63	1018923-01	GOVERNOR ASSEMBLY	1
64	1018916-01	SLEEVE	1
65	1018919-01	GEAR, CLUSTER IDLER	1
66	0007335	BEARING, BALL	2

12
G



UNITIZED TRANSAXLE - GASOLINE VEHICLE

ITEM	PART NO.	DESCRIPTION	QTY
		1 2 3 4	
67	1018915-01	AXLE ASSEMBLY, LEFT (INCLUDES ITEMS 69 - 73)	1
68	1018914-01	AXLE ASSEMBLY, RIGHT (INCLUDES ITEMS 69 - 73)	1
69	1013787	STUD, LUG	4
70	1013792	RING, RETAINING	1
71	1011291	BEARING, OUTER AXLE TUBE	1
72	1014207	COLLAR, 25 MM I. D.	1
73	1016672	RING, RETAINING	1
74	1013794	SEAL, OIL	1
75	1018910-01	ASSEMBLY, AXLE TUBE, LEFT SIDE	1
76	1018909-01	ASSEMBLY, AXLE TUBE, RIGHT SIDE	1
77	1013790	BOLT, M10 x 1.5 x 30MM	14
78	1013791	WASHER, LOCK, M10	14
79	0007330	BEARING, INNER AXLE TUBE	2
80	1019283-01	BOLT, M8 x 1.25 x 37MM	8
81	1018927-01	GEAR, OUTPUT	1
82	1014193	PIN, DOWEL	1
83	1019105-01	KIT, DIFFERENTIAL GEAR CASE (INCLUDES ITEMS 84 - 87)	1
84	1013768	CASE, GEAR CARRIER	1
85	1013774	PLATE, THRUST (IDLER GEAR)	2
86	1013773	PLATE, THRUST (DIFFERENTIAL GEAR)	1
87	1013769	COVER, GEAR CASE	1
88	1013772	PIN, DIFFERENTIAL	1
89	1013770	GEAR, DIFFERENTIAL IDLER	2
90	1013771	GEAR, DIFFERENTIAL	2

12
G

12

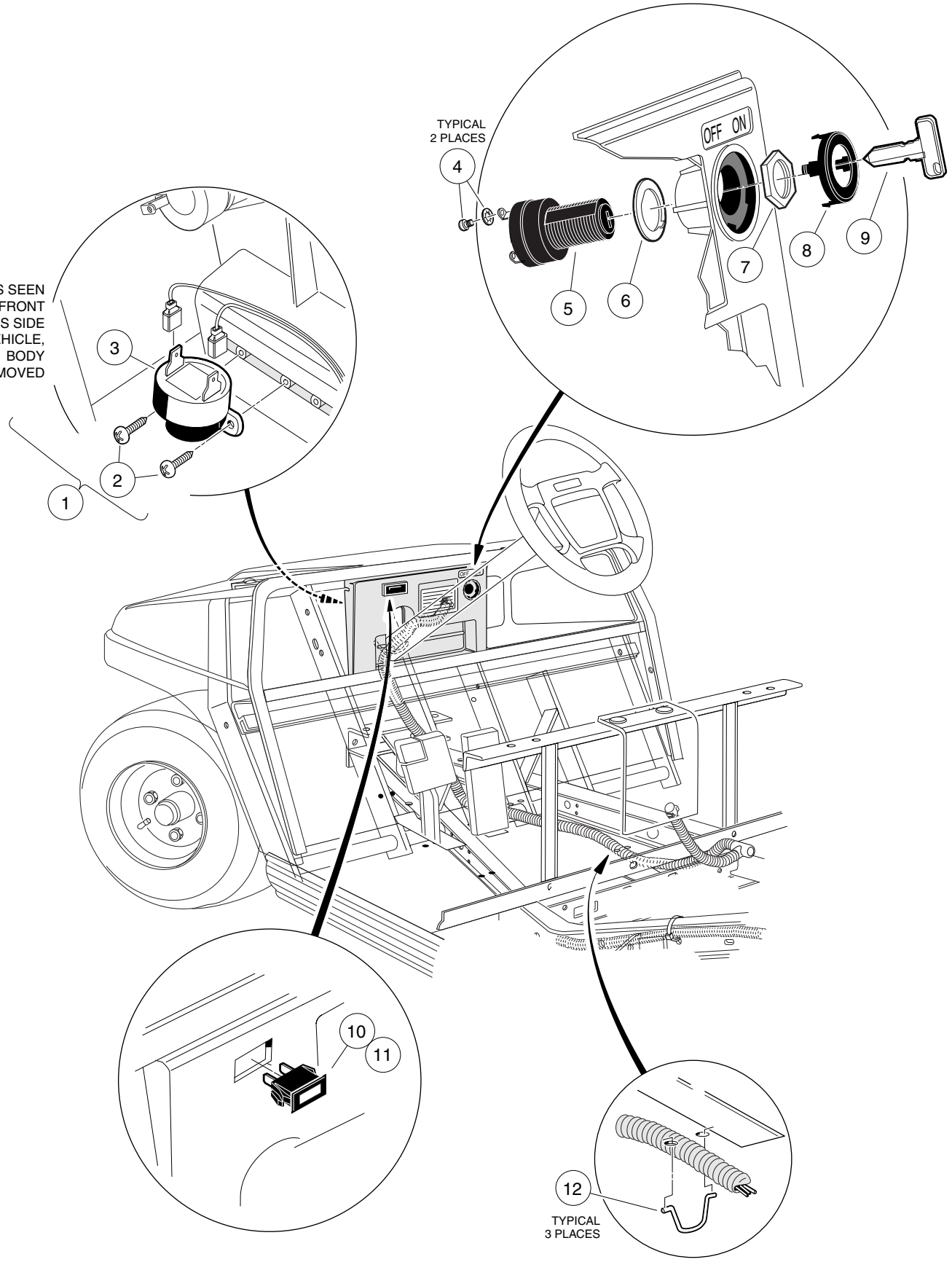
G

ELECTRICAL SYSTEM

13

E

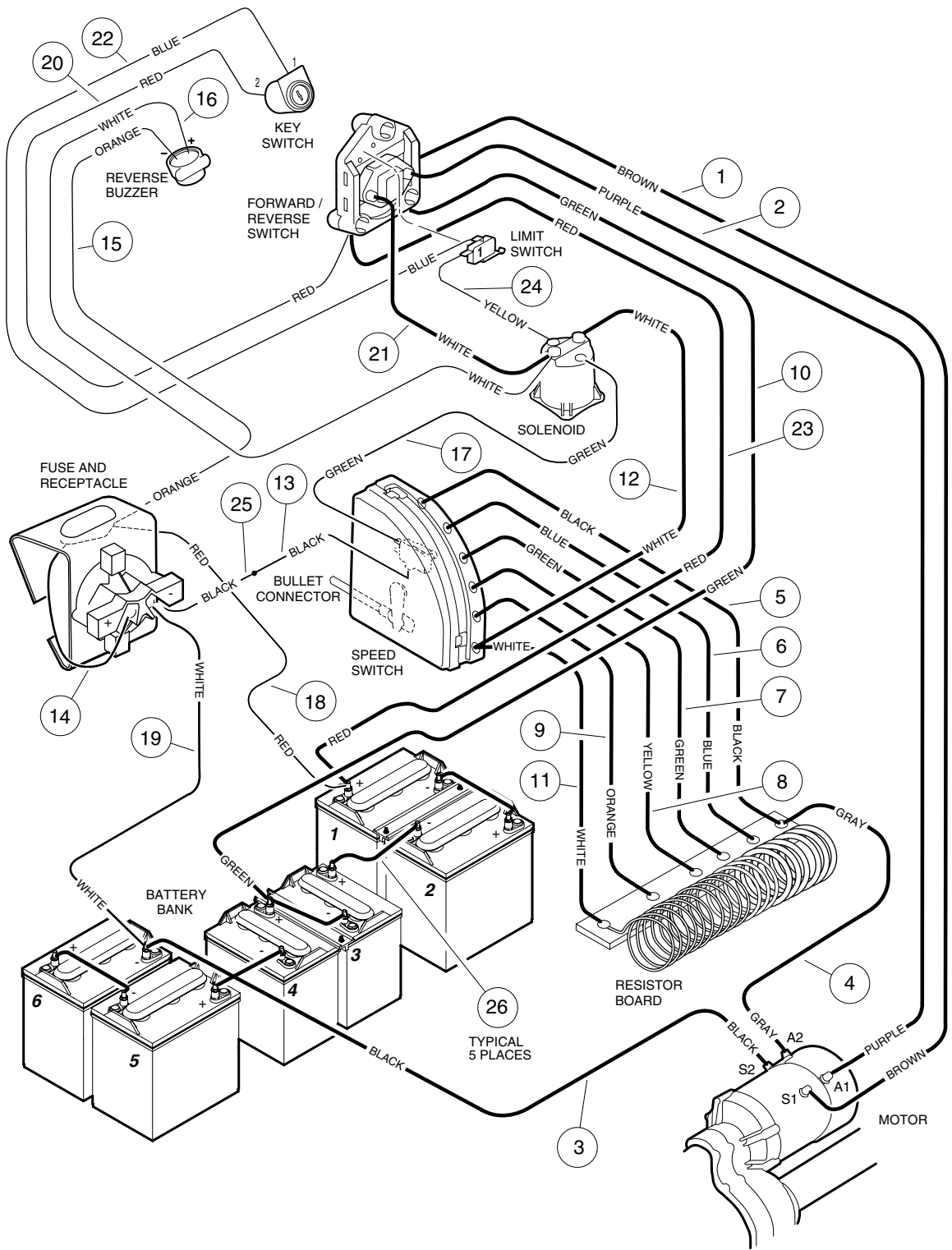
AS SEEN
FROM FRONT
DRIVER'S SIDE
OF VEHICLE,
BODY
REMOVED



ELECTRICAL COMPONENTS, FRONT BODY ELECTRIC VEHICLE

ITEM	PART NO.	DESCRIPTION	QTY
		1 2 3 4	
1	1016859	KIT, REVERSE BUZZER (INCLUDES ITEMS 2 AND 3)	1
2	1016849	SCREW, PAN HEAD HI-LO, #4 - 24 x 5/16	2
3	1016851	BUZZER, REVERSE	1
4	1018306-01	ASSEMBLY, SCREW AND WASHER	2
5	1018262-01	SWITCH, KEY	1
6	1018511-01	WASHER	1
7	1018307-01	NUT, KEY SWITCH	1
8	1018345-02	CAP, KEY SWITCH	1
9	1012505	KEY (PAIR)	1
10	1018026-01	PLUG, HOLE (V-GLIDE 36 VOLT VEHICLE ONLY)	1
11	1019355-01	LIGHT, BATTERY WARNING (AMBER) (POWERDRIVE SYSTEM 48 AND POWERDRIVE PLUS)	1
12	1019009-01	RETAINER, HARNESS	3

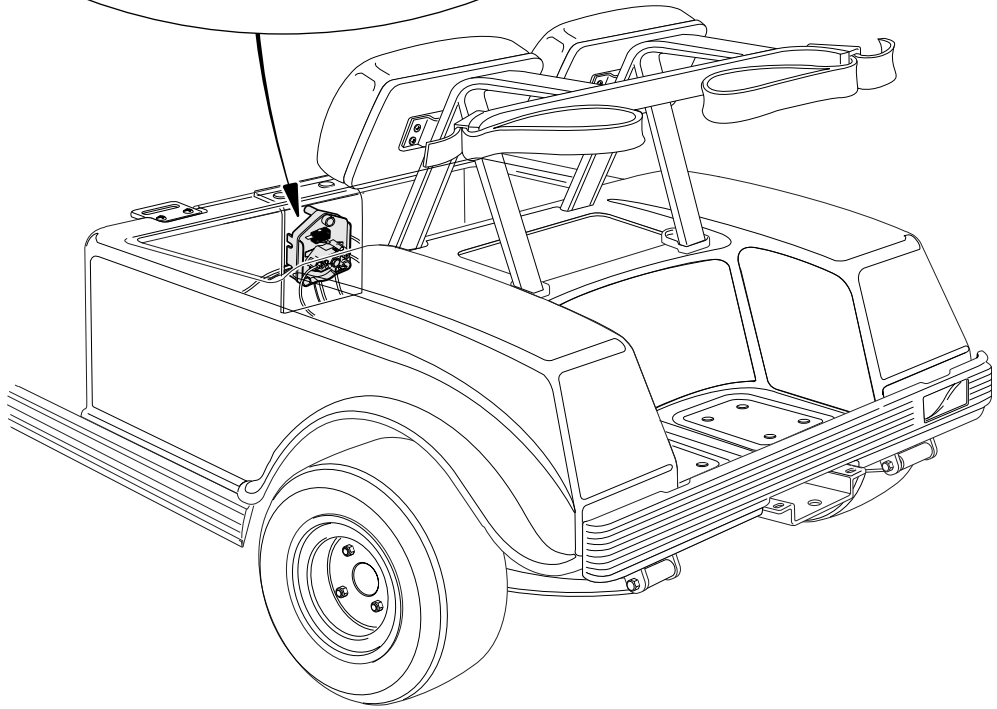
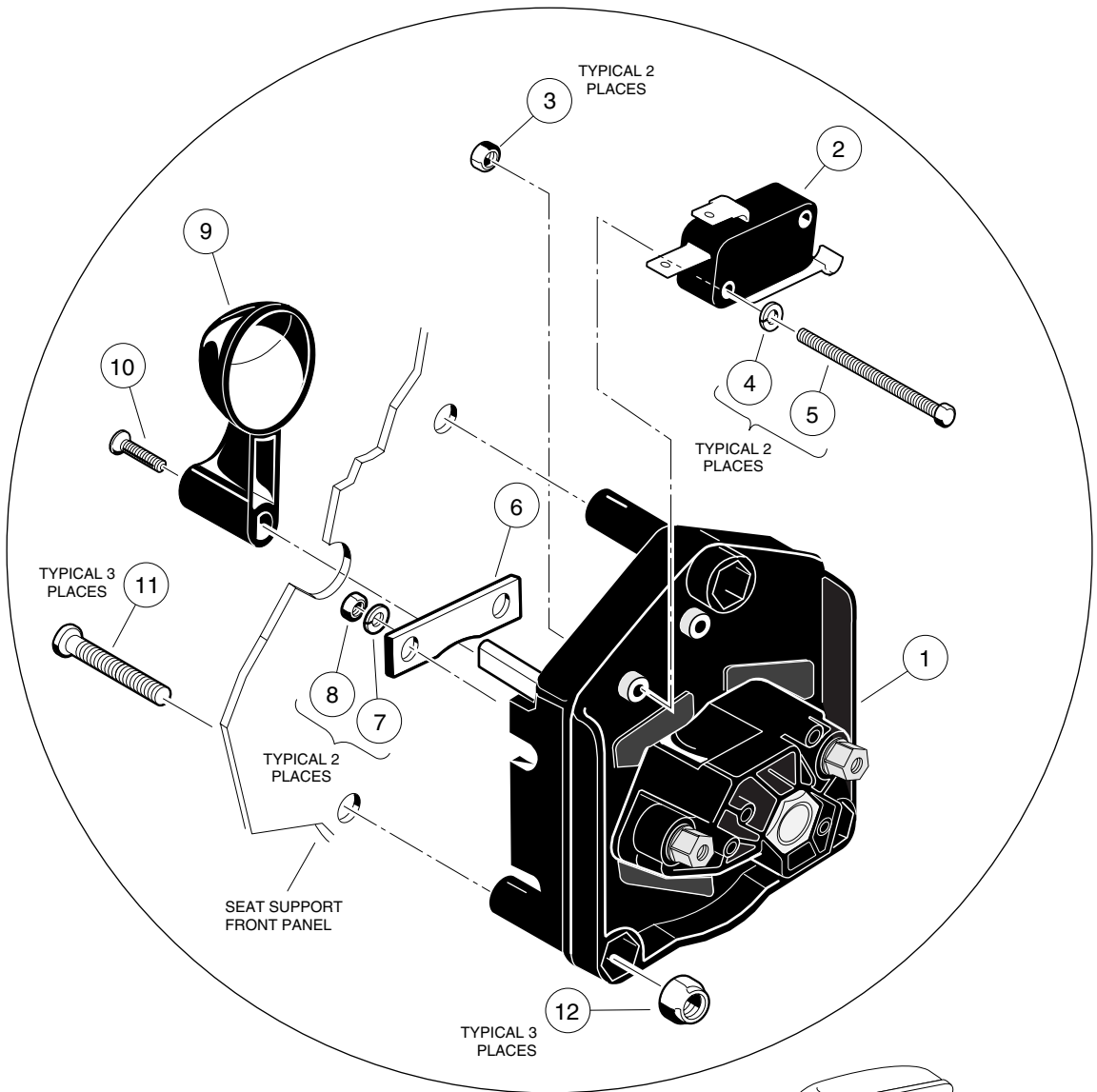
13
E



WIRING - V-GLIDE 36 VOLT VEHICLE

ITEM	PART NO.	DESCRIPTION	QTY
		1 2 3 4	
1	1016070	WIRE ASSEMBLY, #6 BROWN	1
2	1016069	WIRE ASSEMBLY, #6 PURPLE	1
3	1012651	WIRE ASSEMBLY, #6 BLACK	1
4	1016068	WIRE ASSEMBLY, #6 GRAY	1
5	1014036	WIRE ASSEMBLY, #6 BLACK, 6TH SPEED	1
6	1014035	WIRE ASSEMBLY, #6 BLUE, 5TH SPEED	1
7	1014034	WIRE ASSEMBLY, #6 GREEN, 4TH SPEED	1
8	1014033	WIRE ASSEMBLY, #6 YELLOW, 3RD SPEED	1
9	1014032	WIRE ASSEMBLY, #6 ORANGE, 2ND SPEED	1
10	1014828	WIRE ASSEMBLY, #6 GREEN	1
11	1014030	WIRE ASSEMBLY, #6 WHITE	1
12	1014029	WIRE ASSEMBLY, #6 WHITE	1
13	N/A	WIRE ASSEMBLY, #18 BLACK	1
14	1013092	WIRE ASSEMBLY, #10 RED	1
15	N/A	WIRE ASSEMBLY, #18 ORANGE	1
16	N/A	WIRE ASSEMBLY, #18 WHITE	1
17	N/A	WIRE ASSEMBLY, #18 GREEN	1
18	1020180-01	WIRE ASSEMBLY, #10 RED	1
19	1011010	WIRE ASSEMBLY, #10 WHITE	1
20	N/A	WIRE ASSEMBLY, #18 RED	1
21	1014039	WIRE ASSEMBLY, #6 WHITE	1
22	N/A	WIRE ASSEMBLY, #18 BLUE	1
23	1011069	WIRE ASSEMBLY, #6 RED	1
24	N/A	WIRE ASSEMBLY, #18 YELLOW	1
25	N/A	WIRE ASSEMBLY, #18 BLACK	1
26	1010958	WIRE ASSEMBLY, #6 BLACK	5

13
E

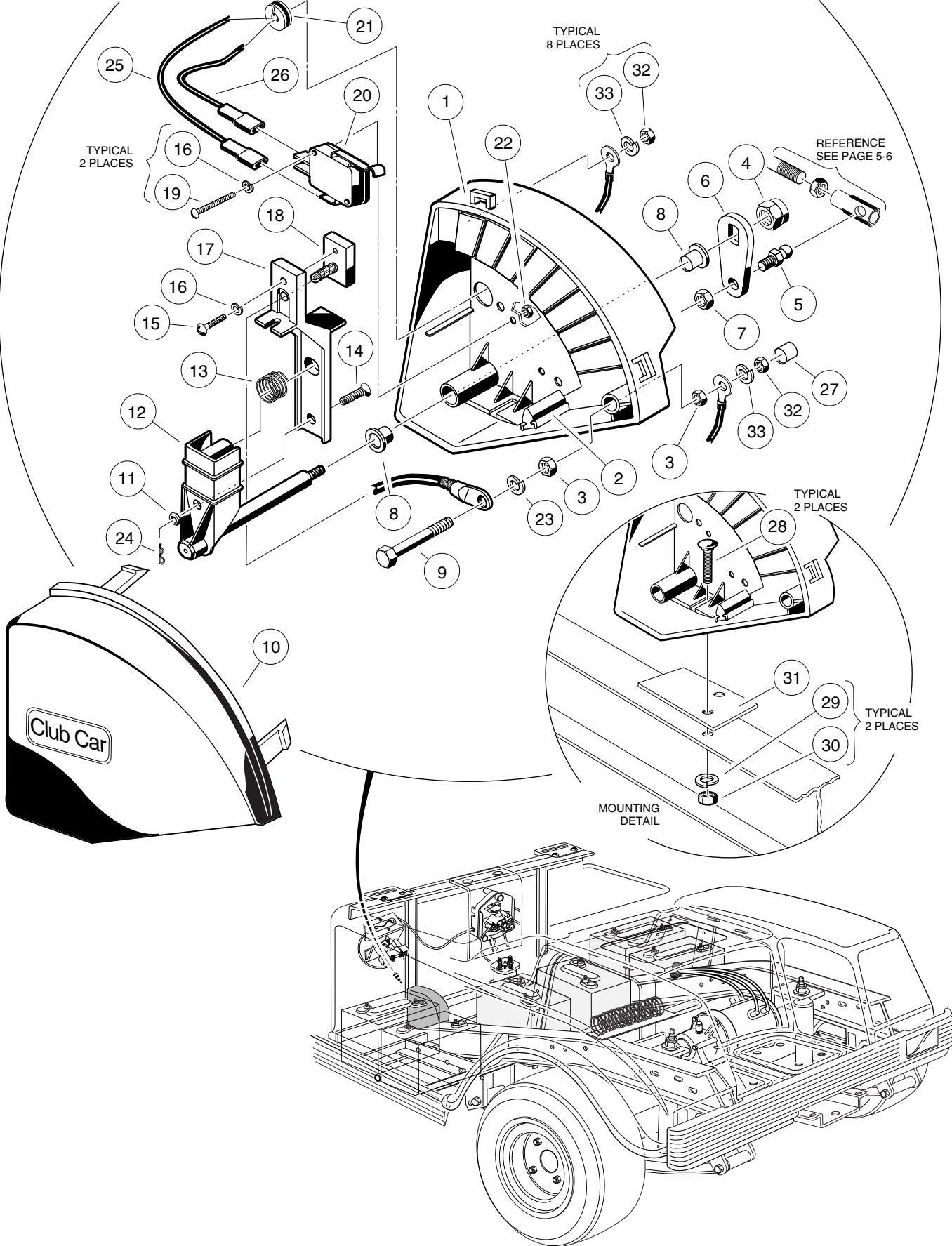


FORWARD AND REVERSE SWITCH V-GLIDE 36 VOLT VEHICLE

13

E

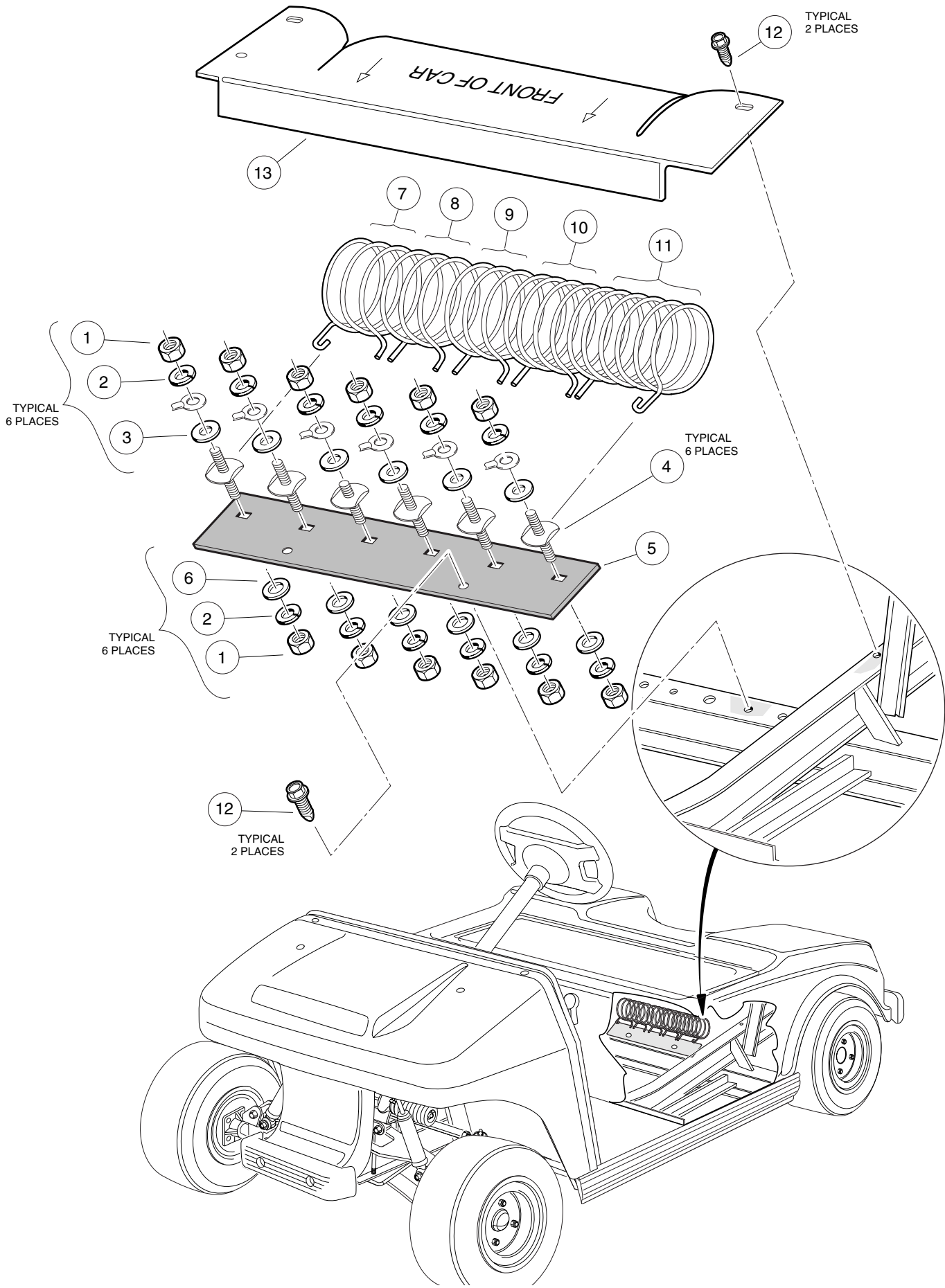
ITEM	PART NO.	DESCRIPTION	QTY
		1 2 3 4	
1	1017530-03	ASSEMBLY, FORWARD AND REVERSE SWITCH (INCLUDES ITEMS 2 - 8)	1
2	1014808	SWITCH, LIMIT	1
3	0008057	NUT, HEX, #4 - 40	2
4	0008058	WASHER, LOCK, #4	2
5	1011991	SCREW, SLOTTED ROUND HEAD, #4 - 40 x 1 1/8	2
6	1017799	BAR, BUS	1
7	0000451	WASHER, LOCK, 1/4	2
8	0001028	NUT, HEX, 1/4 - 20	2
9	1012987	HANDLE, FORWARD AND REVERSE SWITCH	1
10	1013198	SCREW, PHILLIPS HEAD MACHINE, #8 - 32 x 5/8	1
11	1016845	SCREW, PHILLIPS TRUSS HEAD, 1/4 - 20 x 2 1/8	3
12	0008233	NUT, NYLON LOCK, 1/4 - 20	3



WIPER SWITCH - V-GLIDE 36 VOLT VEHICLE

ITEM	PART NO.	DESCRIPTION	QTY
		1 2 3 4	
	1016140	ASSEMBLY, V-GLIDE WIPER SWITCH (INCLUDES ITEMS 1 - 27)	1
1	1014999	ASSEMBLY, WIPER SWITCH CASE, 6 SPEED (INCLUDES ITEM 2)	1
2	1014414	BUMPER, WIPER SWITCH	1
3	1014253	NUT, BRASS HEX JAM, 1/4 - 20	2
4	0007473	NUT, NYLON LOCK, 5/16 - 18	1
5	1012353	STUD, SHORT BALL, 1/4 - 28	1
6	1014003	CRANK, BELL	1
7	0008449	NUT, DIMPLED LOCK, 1/4 - 28	1
8	1012903	BEARING, BRONZE, 3/8 x 1/2	2
9	1014189	SCREW, BRONZE HEX HEAD CAP, 1/4 - 20 x 2	1
10	1013886	COVER, WIPER SWITCH CASE	1
11	0007893	NUT, HEX, #10 - 32	1
12	1014017	CARRIER, WIPER SWITCH ARM	1
13	1013998	SPRING, WIPER SWITCH BRUSH	1
14	1014000	STUD, WIPER SWITCH ADJUSTING	1
15	1014019	SCREW, SELF-TAPPING, #4 - 40 x 3/8	1
16	0008058	WASHER, LOCK, #4	3
17	1013887	ARM, SPEED SWITCH	1
18	1013860	ASSEMBLY, SWITCH BRUSH	1
19	0008056	SCREW, ROUND HEAD MACHINE, #4 - 40 x 3/4	2
20	1014807	SWITCH, LIMIT	1
21	1014010	GROMMET, SPLIT	1
22	0008057	NUT, HEX, #4 - 40	2
23	0000451	WASHER, LOCK, 1/4	1
24	1014413	PIN, HAIR SPRING COTTER	1
25	N/A	WIRE ASSEMBLY, #18 BLACK	1
26	N/A	WIRE ASSEMBLY, #18 GREEN	1
27	1017692	CAP, PROTECTOR	1
28	1014109	BOLT, CARRIAGE, #10 - 24 x 1	2
29	1016175	WASHER, LOCK, #10	2
30	0001017	NUT, HEX, #10 - 24	2
31	1019492-01	SHIM, WIPER SWITCH	1
32	0001014	NUT, BRASS HEX, 1/4 - 20	9
33	0000451	WASHER, LOCK, 1/4	9

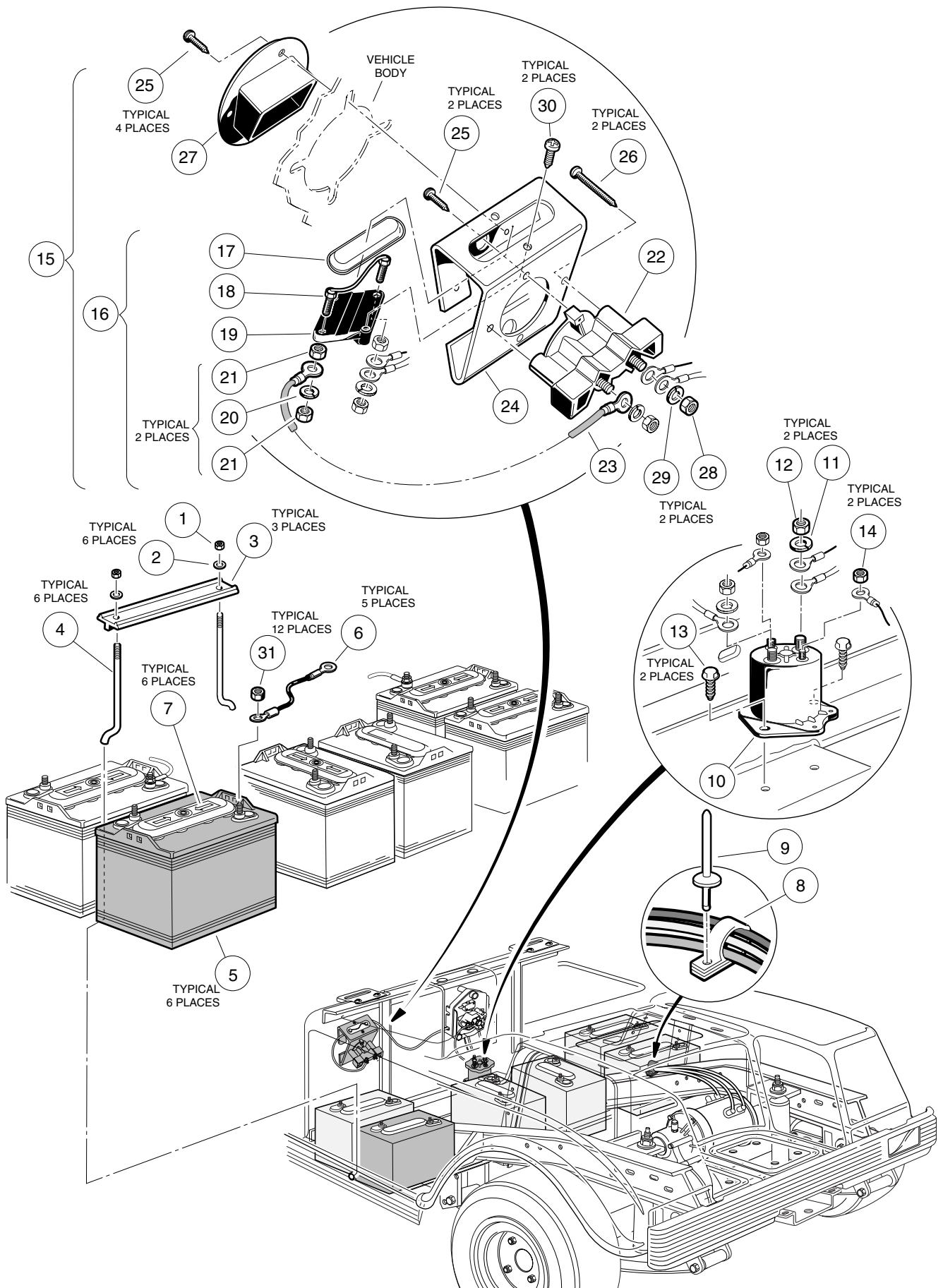
13
E



RESISTOR AND BOARD ASSEMBLY V-GLIDE 36 VOLT VEHICLE

13
E

ITEM	PART NO.	DESCRIPTION	QTY
		1 2 3 4	
1	0001028	NUT, HEX, 1/4 - 20	12
2	0000451	WASHER, LOCK, 1/4	12
3	1011931	WASHER, FLAT, 1/4	6
4	1014045	STAND-OFF, RESISTOR COIL	6
5	1014728	BOARD, RESISTOR MOUNTING	1
6	0000332	WASHER, FLAT, 1/4	6
7	1014476	COIL, RESISTOR, 5TH SPEED, .182" WIRE DIAMETER, 3-COIL	1
8	1014012	COIL, RESISTOR, 4TH SPEED, .162" WIRE DIAMETER, 3-COIL	1
9	1014013	COIL, RESISTOR, 3RD SPEED, .144" WIRE DIAMETER, 3-COIL	1
10	1014014	COIL, RESISTOR, 2ND SPEED, .128" WIRE DIAMETER, 4-COIL	1
11	1014729	COIL, RESISTOR, 1ST SPEED, .128" WIRE DIAMETER, 6-COIL	1
12	1012285	SCREW, THREAD-ROLLING, 1/4 - 20 x 5/8	4
13	1013971	SHIELD, RESISTOR	1

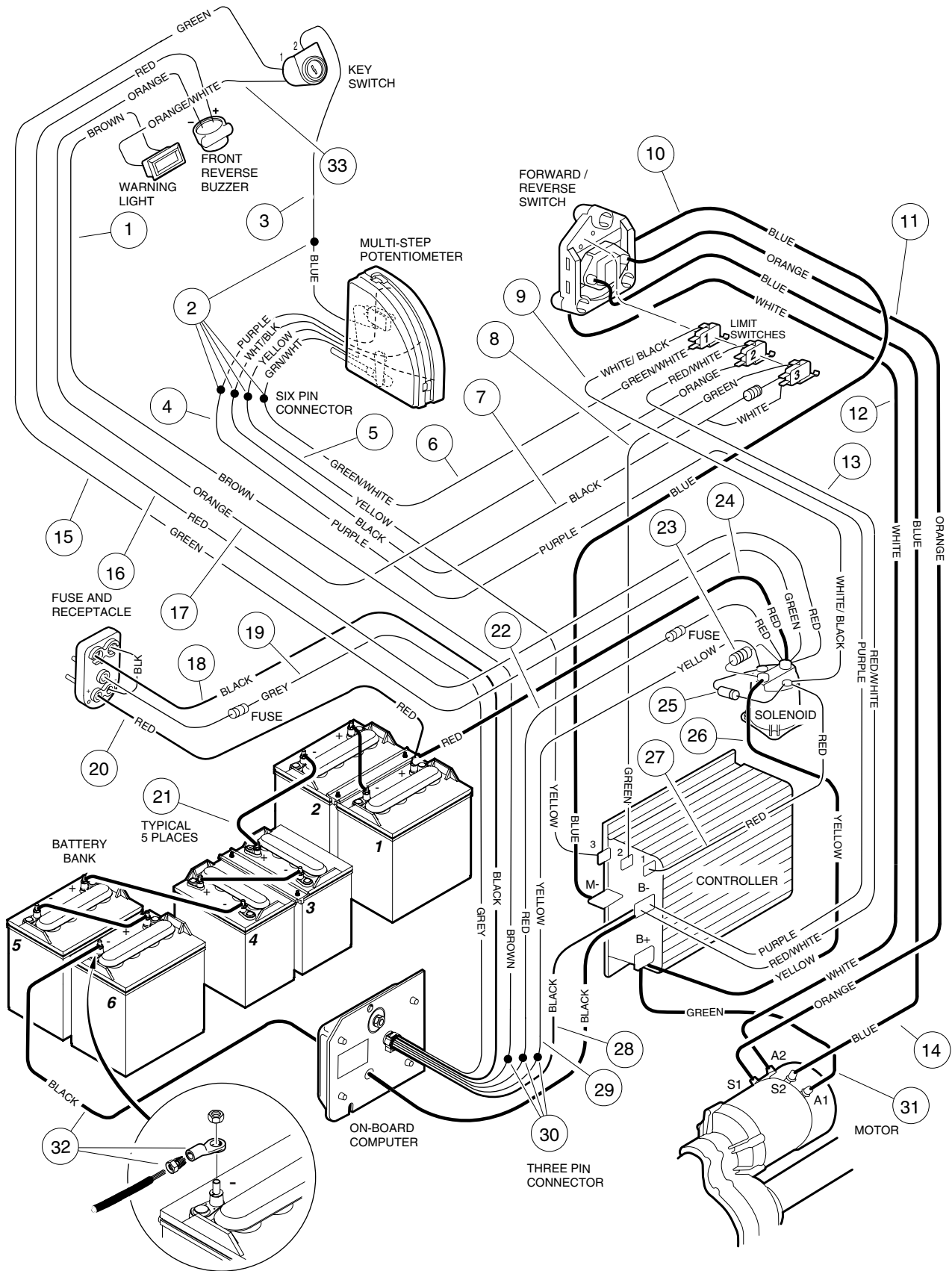


BATTERIES, CHARGER RECEPTACLE, SOLENOID V-GLIDE 36 VOLT VEHICLE

ITEM	PART NO.	DESCRIPTION	QTY
		1 2 3 4	
1	1015072	NUT, NYLON LOCK, STAINLESS STEEL, 5/6 - 18	6
2	1011578	WASHER, FLAT, TYPE B WIDE, 5/16	6
3	1010908	HOLD-DOWN, BATTERY	3
4	1013683	J-BOLT	6
5	1016616-01	BATTERY, 6 VOLT	6
5	1016616-02	BATTERY, 6 VOLT, DRY	6
6	1010958	WIRE ASSEMBLY, #6 BLACK	5
7	1018314-01	CAP, 6 VOLT BATTERY	6
8	1012022	CLAMP, CABLE	2
9	0001606	RIVET, POP, 3/16	2
10	N/A	SOLENOID, 36 VOLT (FOR REPLACEMENT SOLENOID, SEE BOTTOM OF PAGE)	1
11	0007174	WASHER, LOCK, 5/16	2
12	0001242	NUT, HEX, 5/16 - 18	2
13	1012285	SCREW, THREAD ROLLING, 1/4 - 20 x 5/8	2
14	0007893	NUT, HEX, #10 - 32	2
15	1013425-01	KIT, FUSE AND RECEPTACLE (INCLUDES ITEMS 16 - 30)	1
16	1014516	KIT, FUSE (INCLUDES ITEMS 17 - 21)	1
17	N/A	LENS, FUSE	1
18	N/A	FUSE, 80 AMP	1
19	N/A	HOLDER, FUSE	1
20	0001016	WASHER, LOCK, #10	2
21	0008797	NUT, BRASS, #10 - 32	4
22	0004107	RECEPTACLE, CHARGER, 2 PRONG	1
23	1013092	WIRE ASSEMBLY, #10 RED	1
24	1013628	BRACKET, FUSE AND RECEPTACLE MOUNTING	1
25	0008796	SCREW, PHILLIPS PAN HEAD SELF-TAPPING, #7 -19 x 3/4	6
26	0008795	SCREW, PHILLIPS PAN HEAD SELF-TAPPING, #7 -19 x 1 3/4	2
27	1013649	BEZEL, CHARGER RECEPTACLE	1
28	0008797	NUT, BRASS, #10 - 32	2
29	0001016	WASHER, LOCK, #10	2
30	1013266	SCREW, PHILLIPS PAN HEAD SELF-TAPPING, #8 - 18 x 1/2	2
31	1014304	NUT, HEX, STAINLESS STEEL, 5/6 - 18	12
	1019759-01	SOLENOID, 36 VOLT (NOT SHOWN)..... IF ORDERING SOLENOID 1019759-01, THE FOLLOWING ITEMS WILL ALSO BE REQUIRED:	1
	1014948	DIODE (NOT SHOWN).....	1
	1020472-01	SNUBBER (NOT SHOWN).....	1
	1020483-01	BASE, MOUNTING (NOT SHOWN).....	1
	8639	TIE, WIRE (NOT SHOWN).....	1

13

E

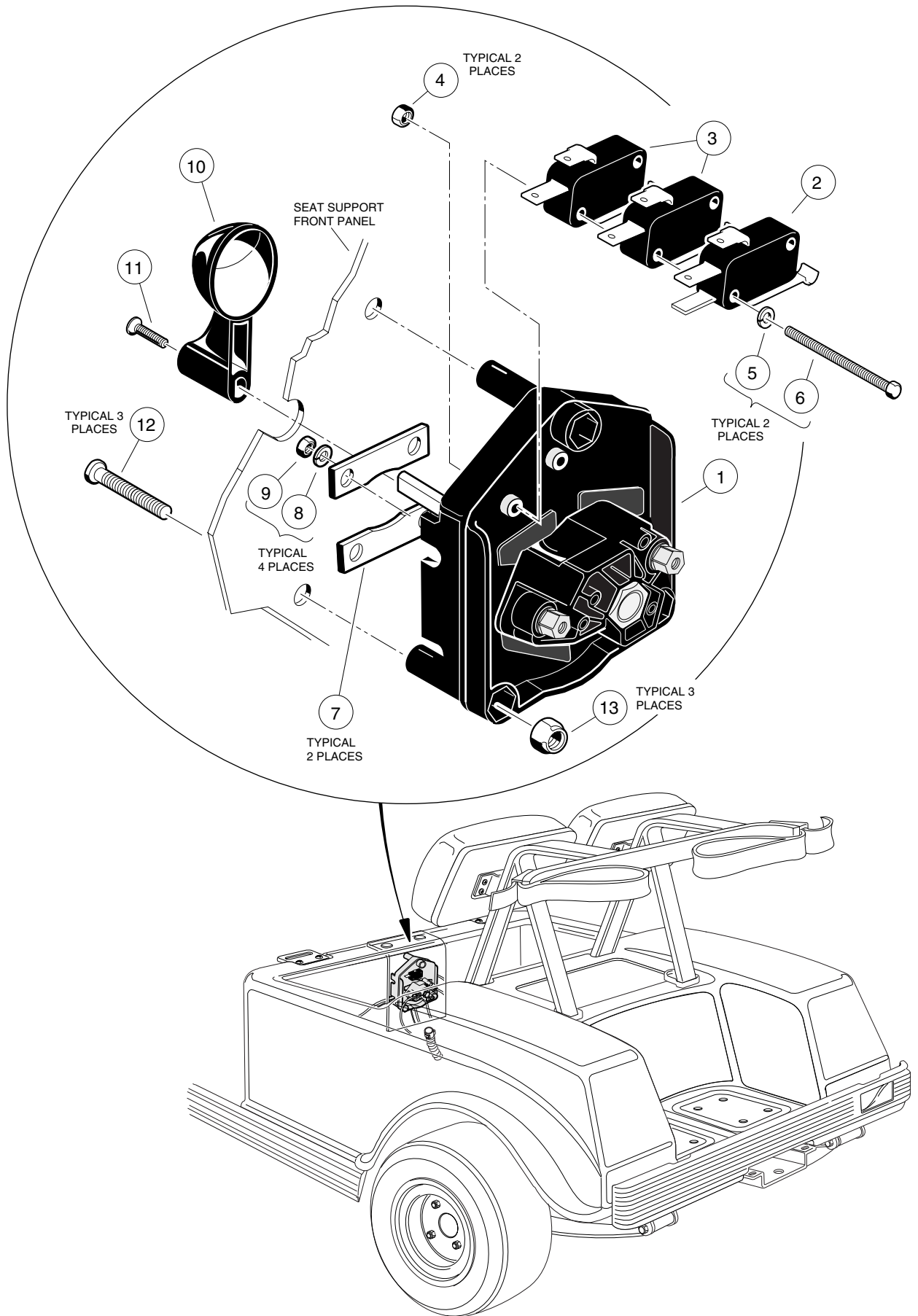


WIRING - POWERDRIVE SYSTEM 48 VEHICLE

13

E

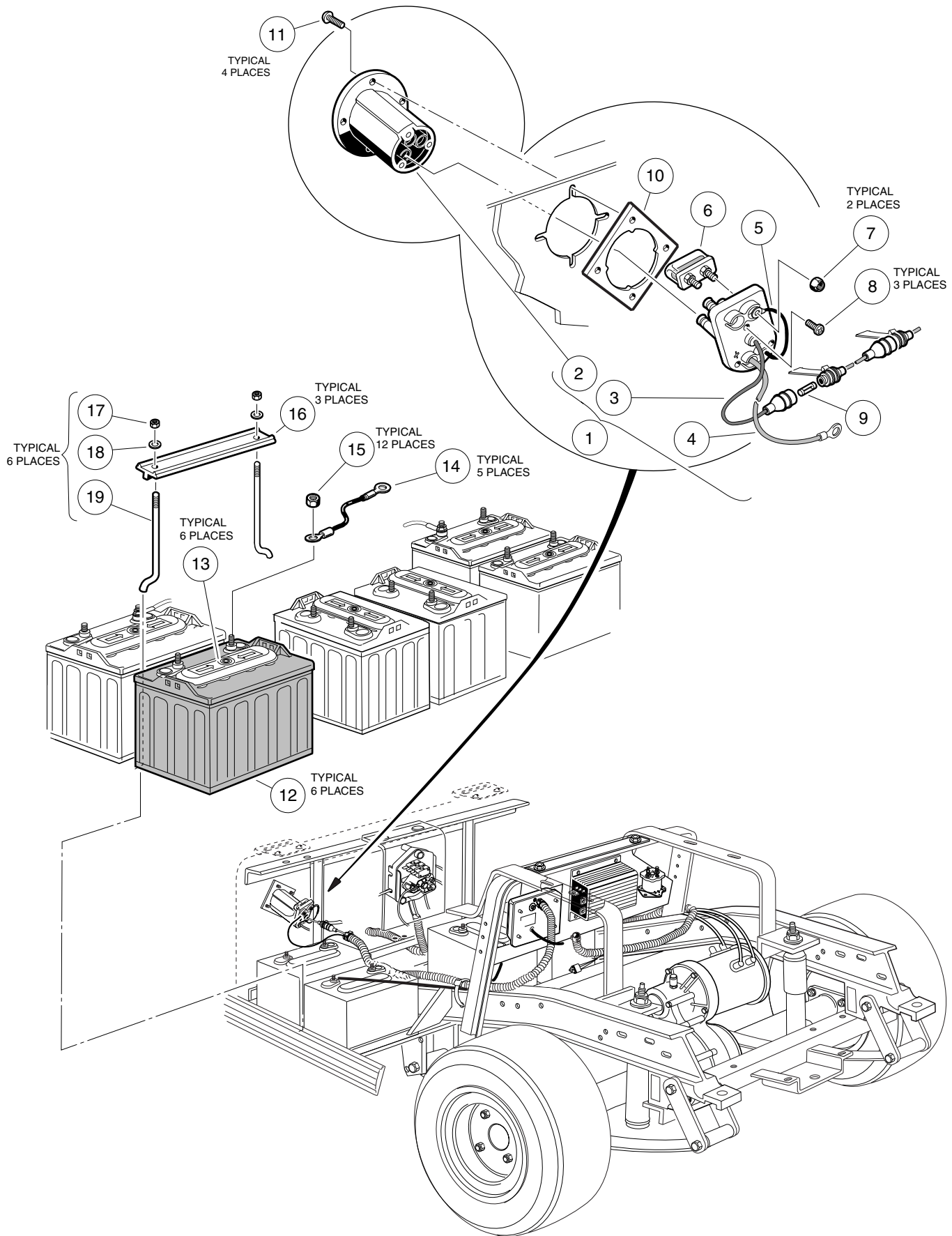
ITEM	PART NO.	DESCRIPTION	QTY
		1 2 3 4	
	1019110-01	WIRE HARNESS (INCLUDES ITEMS 1 - 17)	1
1	N/A	WIRE ASSEMBLY, #18 BROWN	1
2	1019327-01	KIT, 6-PIN PLUG ASSEMBLY	1
3	N/A	WIRE ASSEMBLY, #18 BLUE	1
4	N/A	WIRE ASSEMBLY, #18 PURPLE	1
5	N/A	WIRE ASSEMBLY, #18 YELLOW	1
6	N/A	WIRE ASSEMBLY, #18 GREEN/WHITE	1
7	N/A	WIRE ASSEMBLY, #18 BLACK (INCLUDES RESISTOR AND #18 WHITE WIRE)	1
8	N/A	WIRE ASSEMBLY, #18 GREEN	1
9	N/A	WIRE ASSEMBLY, #18 WHITE/BLACK	1
10	1019014-01	WIRE ASSEMBLY, #6 BLUE	1
11	1019012-01	WIRE ASSEMBLY, #6 ORANGE	1
12	1019015-01	WIRE ASSEMBLY, #6 WHITE	1
13	N/A	WIRE ASSEMBLY, #18 RED/WHITE	1
14	1019013-01	WIRE ASSEMBLY, #6 BLUE	1
15	N/A	WIRE ASSEMBLY, #18 GREEN	1
16	N/A	WIRE ASSEMBLY, #18 RED	1
17	N/A	WIRE ASSEMBLY, #18 ORANGE	1
18	N/A	WIRE ASSEMBLY, #10 BLACK (PART OF ON-BOARD COMPUTER ASSEMBLY)	1
19	N/A	WIRE ASSEMBLY, #18 GREY (PART OF ON-BOARD COMPUTER ASSEMBLY)	1
20	N/A	WIRE ASSEMBLY, #10 RED (PART OF FUSE AND RECEPTACLE ASSEMBLY)	1
21	1017957-01	WIRE ASSEMBLY, #6 BLACK	5
22	N/A	WIRE ASSEMBLY, #18 RED	1
23	1014947	ASSEMBLY, RESISTOR	1
24	1019028-01	WIRE ASSEMBLY, #6 RED	1
25	1014948	ASSEMBLY, DIODE	1
26	1019030-01	WIRE ASSEMBLY, #6 YELLOW	1
27	N/A	WIRE ASSEMBLY, #18 RED	1
28	N/A	WIRE ASSEMBLY, #10 BLACK (PART OF ON-BOARD COMPUTER ASSEMBLY)	1
29	N/A	WIRE ASSEMBLY, #18 YELLOW	1
30	1019201-01	HOUSING, MALE, 3-WIRE	1
31	1019029-01	WIRE ASSEMBLY, #6 GREEN	1
32	1018278-01	KIT, WIRE AND TERMINAL, #6 BLACK	1
33	N/A	WIRE ASSEMBLY, #18 ORANGE/WHITE	1



FORWARD AND REVERSE SWITCH POWERDRIVE SYSTEM 48 VEHICLE

ITEM	PART NO.	DESCRIPTION	QTY
		1 2 3 4	
1	1017530-05	ASSEMBLY, FORWARD AND REVERSE SWITCH (INCLUDES ITEMS 2 - 9)	1
2	1014807	SWITCH, LIMIT	1
3	1014808	SWITCH, LIMIT	2
4	0008057	NUT, HEX, #4 - 40	2
5	0008058	WASHER, LOCK, #4	2
6	1014871	SCREW, HEX WASHER HEAD, #4 - 40 x 2	2
7	1017799	BAR, BUS	2
8	0000451	WASHER, LOCK, 1/4	4
9	0001028	NUT, HEX, 1/4 - 20	4
10	1012987	HANDLE, FORWARD AND REVERSE SWITCH	1
11	1013198	SCREW, PHILLIPS HEAD MACHINE, #8 - 32 x 5/8	1
12	1016845	SCREW, PHILLIPS TRUSS HEAD, 1/4 - 20 x 2 1/8	3
13	0008233	NUT, NYLON LOCK, 1/4 - 20	3

13
E

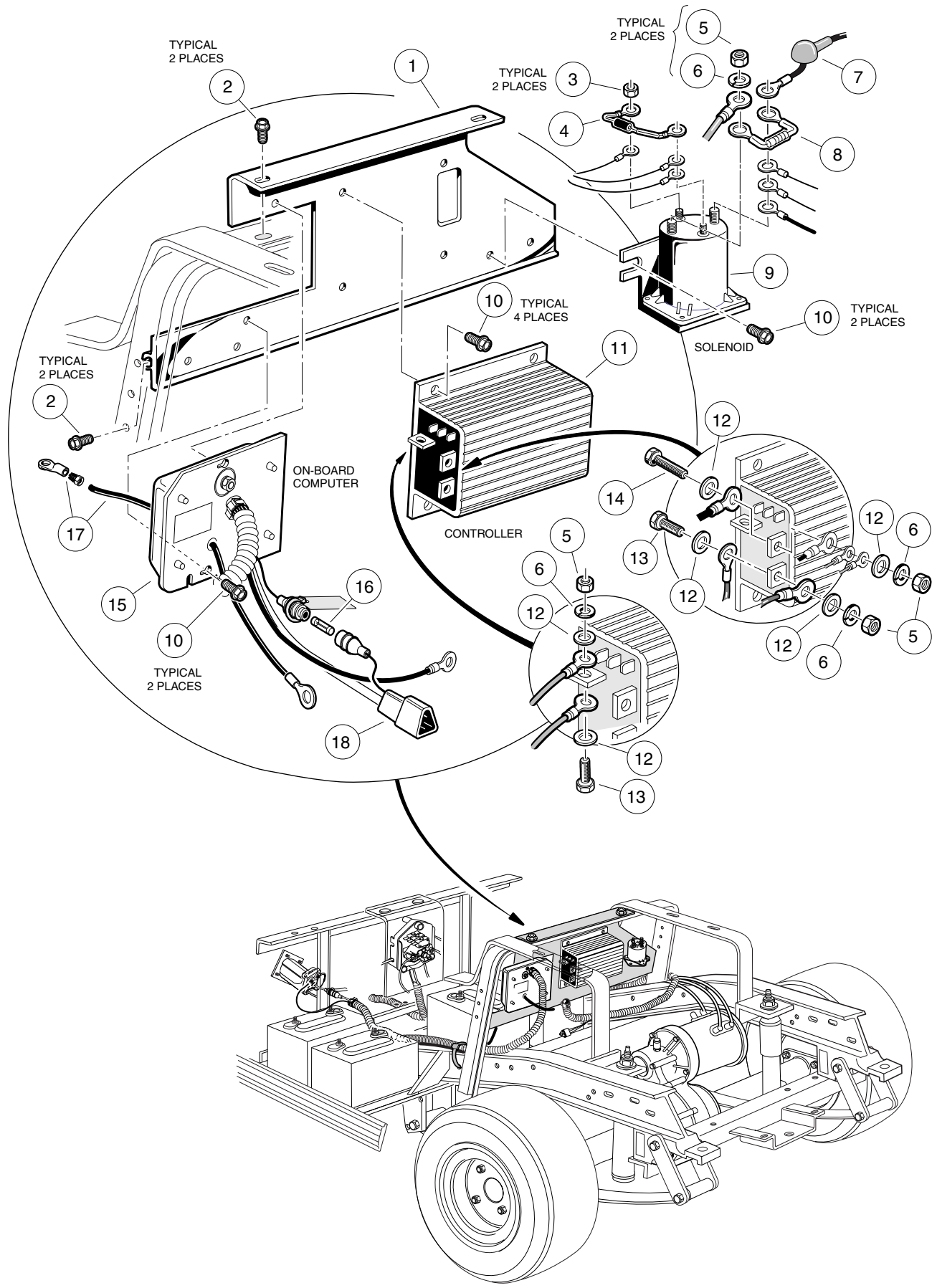


BATTERIES, CHARGER RECEPTACLE POWERDRIVE SYSTEM 48 VEHICLE

ITEM	PART NO.	DESCRIPTION	QTY
		1 2 3 4	
1	1018021-01	KIT, FUSE AND RECEPTACLE (INCLUDES ITEMS 2 - 9)	1
2	1017965-01	BEZEL, RECEPTACLE	1
3	N/A	WIRE ASSEMBLY, SENSE LEAD, GRAY	1
4	N/A	WIRE ASSEMBLY, #10 RED	1
5	N/A	WIRE ASSEMBLY, #10 BLACK	1
6	1017968-01	ASSEMBLY, FUSE, 48 VOLT (INCLUDES ITEM 7)	1
7	1013061	NUT, NYLON LOCK, #10	2
8	1017705	SCREW, PHILLIPS PAN HEAD, #8 TYPE AB	3
9	1018949-01	ASSEMBLY, FUSE, 3/8 AMP	1
10	1018010-01	PLATE, RECEPTACLE BACKING	1
11	1018320-01	SCREW, PHILLIPS PAN HEAD, #7 - 18 x 3/4	4
12	1017977-01	BATTERY, 8 VOLT POWERDRIVE	6
12	1017977-02	BATTERY, 8 VOLT POWERDRIVE, DRY	6
13	1017978-01	CAP, BATTERY, 4 PORT GANG	6
14	1017957-01	WIRE ASSEMBLY, #6 BLACK	5
15	1014304	NUT, HEX, STAINLESS STEEL, 5/16 - 18	12
16	1018030-01	HOLD-DOWN, BATTERY	3
17	1015072	NUT, NYLON LOCK, STAINLESS STEEL, 5/16 - 18	6
18	1011578	WASHER, FLAT, TYPE B WIDE, 5/16	6
19	1013683	J-BOLT	6

13

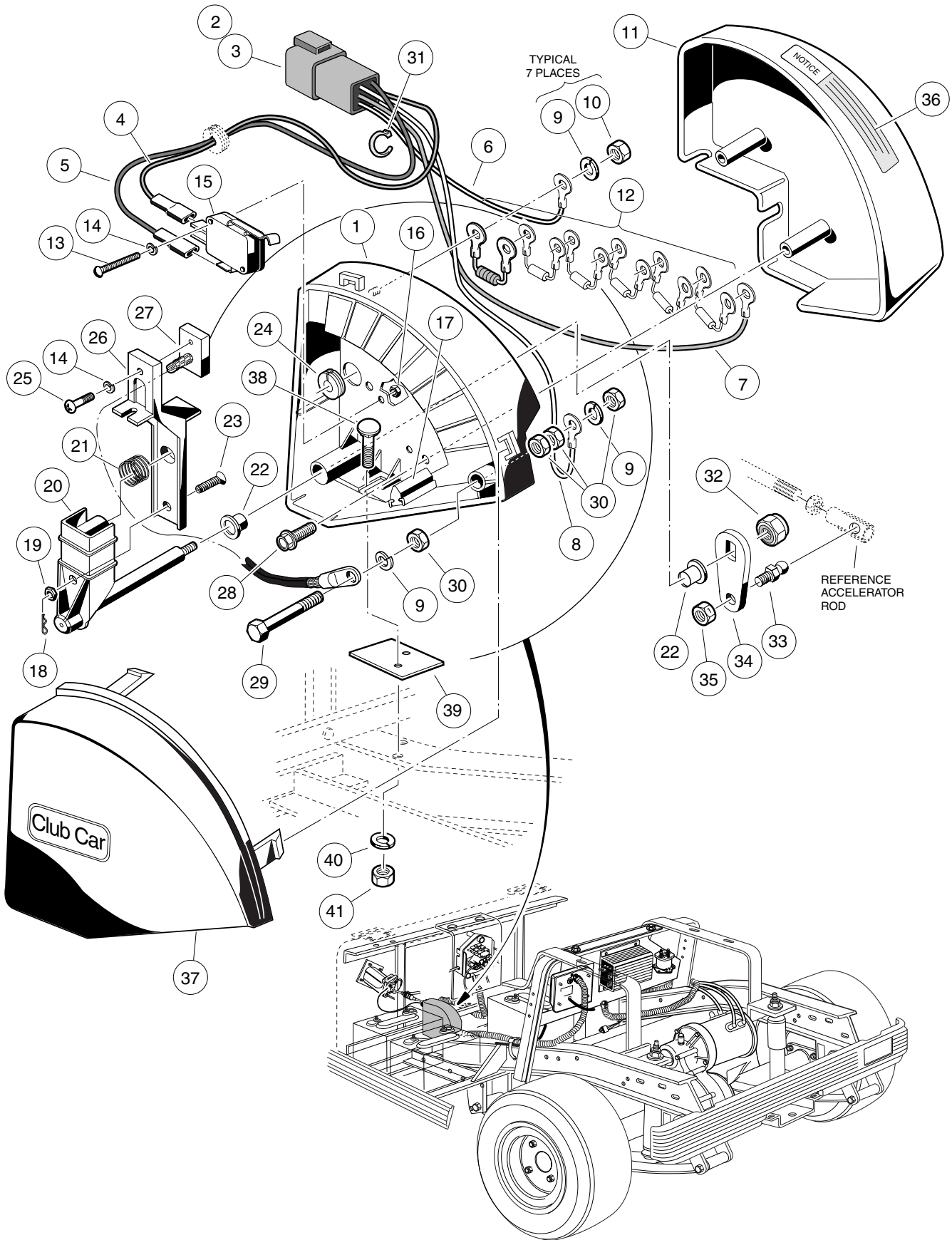
E



COMPUTER, CONTROLLER, AND SOLENOID POWERDRIVE SYSTEM 48 VEHICLE

ITEM	PART NO.	DESCRIPTION	QTY
		1 2 3 4	
1	1019652-01	PLATE, COMPONENT MOUNTING	1
2	1014288	SCREW, THREAD-FORMING, 5/16 - 18 x 3/4	4
3	0007893	NUT, HEX, #10 - 32	2
4	1014948	ASSEMBLY, DIODE	1
5	0001242	NUT, HEX, 5/16 - 18	5
6	0007174	WASHER, LOCK, 5/16	5
7	1019026-01	BOOT, WIRE	1
8	1014947	ASSEMBLY, RESISTOR	1
9	1019087-01	SOLENOID, 48 VOLT	1
10	1012285	SCREW, THREAD-ROLLING, 1/4 - 20 x 5/8	8
11	1018402-01	CONTROLLER, 48 VOLT (225 AMP)	1
12	0001241	WASHER, FLAT, 5/16	6
13	0007173	BOLT, HEX HEAD, 5/16 - 18 x 3/4	2
14	0001218	BOLT, HEX HEAD, 5/16 - 18 x 1 1/4	1
15	1019099-01	COMPUTER, ON-BOARD (INCLUDES ITEMS 16, 17 AND 18)	1
16	1018949-01	FUSE ASSEMBLY, 3/8 AMP	2
17	1018278-01	KIT, WIRE AND TERMINAL, #6 BLACK	1
18	1019423-01	RECEPTACLE, 3-PIN	1

13
E

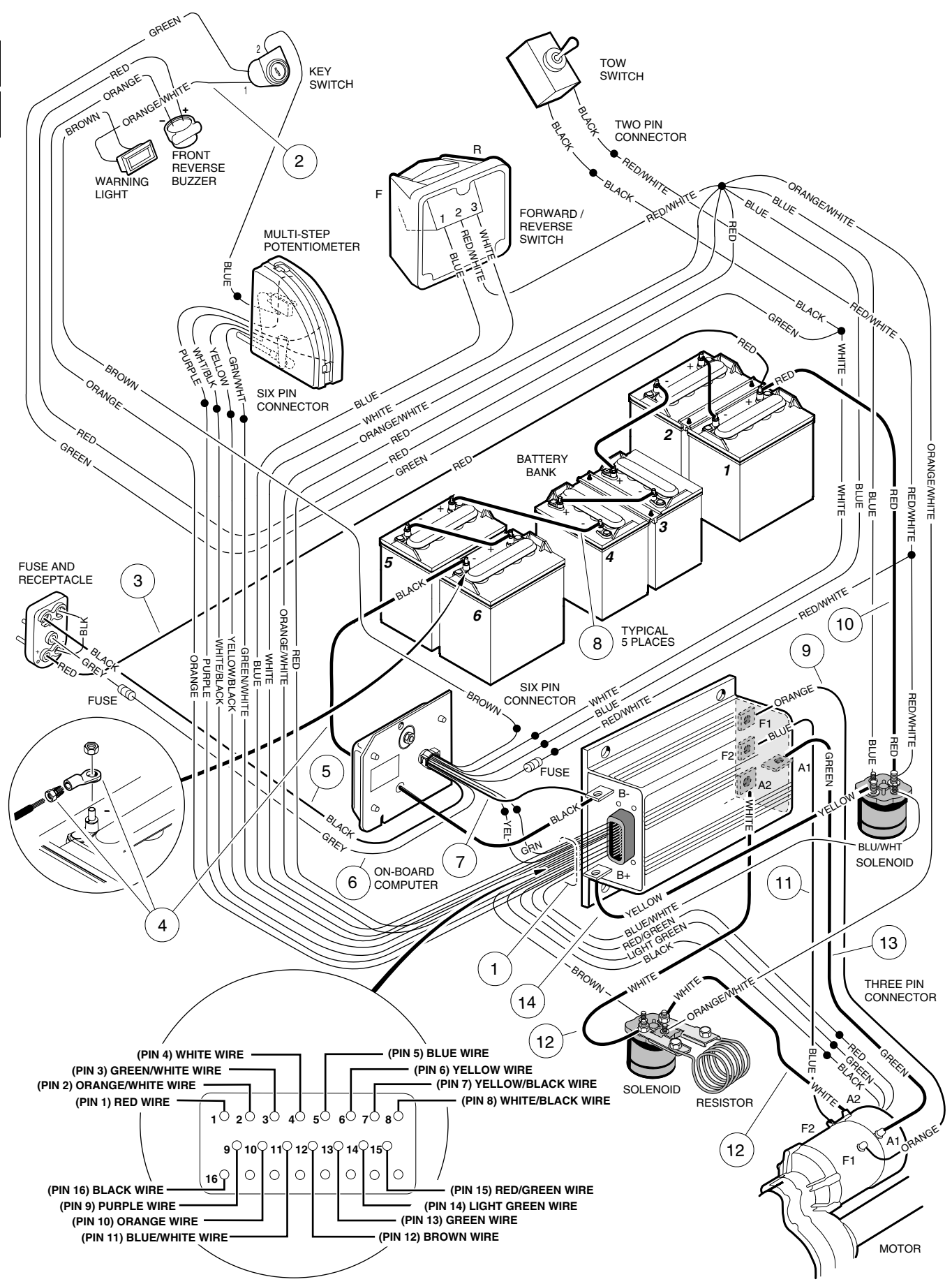


MULTI-STEP POTENTIOMETER POWERDRIVE SYSTEM 48 AND POWERDRIVE PLUS

13

E

ITEM	PART NO.	DESCRIPTION	QTY
		1 2 3 4	
	1019320-03	ASSEMBLY, WIPER SWITCH (INCLUDES ITEMS 1 - 37)	1
1	1014999	ASSEMBLY, WIPER SWITCH CASE, 6 SPEED	1
2	1019580-02	ASSEMBLY, 5-WIRE AND RECEPTACLE (INCLUDES ITEMS 3 - 8)	1
3	1019326-01	KIT, 6-PIN RECEPTACLE	1
4	N/A	WIRE ASSEMBLY, #18 GREEN/WHITE	1
5	N/A	WIRE ASSEMBLY, #18 BLUE	1
6	N/A	WIRE ASSEMBLY, #18 BLACK/WHITE	1
7	N/A	WIRE ASSEMBLY, #18 PURPLE.....	1
8	N/A	WIRE ASSEMBLY, #18 YELLOW.....	1
9	0000451	WASHER, LOCK, 1/4	17
10	0001014	NUT, BRASS HEX, 1/4 - 20	15
11	1019469-01	PROTECTOR, WIPER SWITCH RESISTOR	1
12	1019711-01	KIT, RESISTOR ASSEMBLY	1
13	0008056	SCREW, ROUND HEAD MACHINE, #4 - 40 x 3/4	2
14	0008058	WASHER, LOCK, #4	3
15	1014807	SWITCH, LIMIT.....	1
16	0008057	NUT, HEX, #4 - 40	2
17	1014414	BUMPER, WIPER SWITCH	1
18	1014413	PIN, HAIR SPRING COTTER	1
19	0007893	NUT, HEX, #10 - 32	1
20	1014017	CARRIER, WIPER SWITCH ARM	1
21	1013998	SPRING, WIPER SWITCH BRUSH	1
22	1012903	BEARING, BRONZE	2
23	1014000	STUD, WIPER SWITCH ADJUSTING	1
24	1014010	GROMMET, SPLIT	1
25	1014019	SCREW, SELF-TAPPING, #4 - 40 x 3/8	1
26	1013887	ARM, SPEED SWITCH	1
27	1013860	ASSEMBLY, SWITCH BRUSH	1
28	1013461	SCREW, HEX HEAD HI-LO, #10 - 16 x 1/2	2
29	1014189	SCREW, HEX HEAD CAP, 1/4 - 20 x 2	1
30	1014253	NUT, BRASS HEX JAM, 1/4 - 20	3
31	0008990	WRAP, TIE	1
32	0007473	NUT, NYLON LOCK, 5/16 - 18	1
33	1012353	STUD, SHORT BALL, 1/4 - 28	1
34	1014003	CRANK, BELL	1
35	0008449	NUT, DIMPLED LOCK, 1/4 - 28	1
36	1016109-01	DECAL, WIPER SWITCH WARNING	1
37	1013886	COVER, WIPER SWITCH	1
38	1014109	BOLT, CARRIAGE, #10 - 24 x 1	2
39	1019492-01	SHIM, WIPER SWITCH	1
40	1016175	WASHER, LOCK, #10	2
41	0001017	NUT, HEX, #10 - 24	2

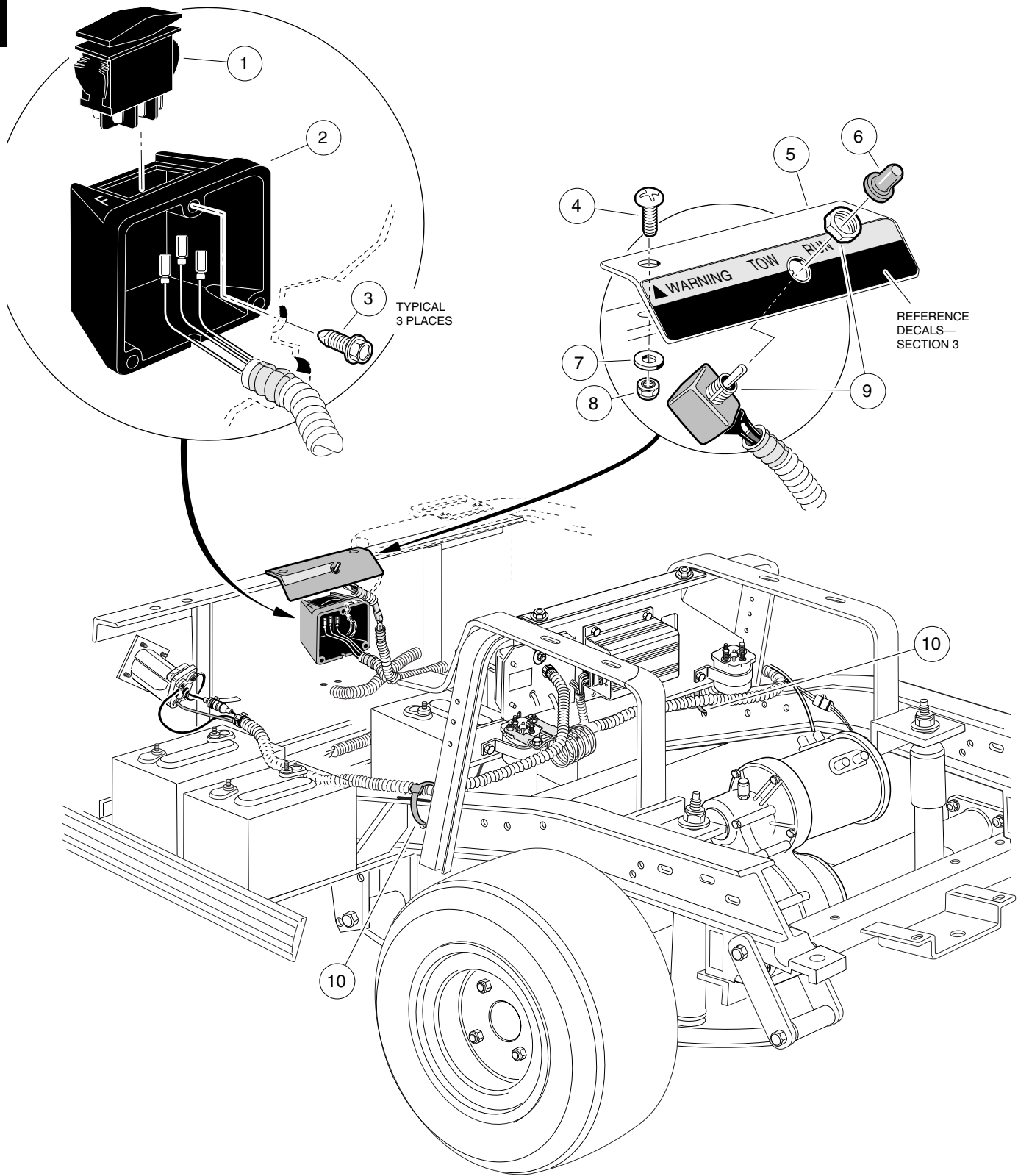


WIRING - POWERDRIVE PLUS VEHICLE

ITEM	PART NO.	DESCRIPTION	QTY
		1 2 3 4	
1	1019648-01	WIRE HARNESS	1
2	N/A	WIRE ASSEMBLY, #18 ORANGE/WHITE	1
3	N/A	WIRE ASSEMBLY, #10 RED (PART OF FUSE AND RECEPTACLE ASSEMBLY)	1
4	1018278-01	KIT, WIRE AND TERMINAL, #6 BLACK	1
5	N/A	WIRE ASSEMBLY, #10 BLACK (PART OF ON-BOARD COMPUTER ASSEMBLY)	1
6	N/A	WIRE ASSEMBLY, #18 GRAY (PART OF ON-BOARD COMPUTER ASSEMBLY)	1
7	N/A	WIRE ASSEMBLY, #10 BLACK (PART OF ON-BOARD COMPUTER ASSEMBLY)	1
8	1017957-01	WIRE ASSEMBLY, #6 BLACK	5
9	1018535-02	WIRE ASSEMBLY, #10 ORANGE	1
10	1019028-01	WIRE ASSEMBLY, #6 RED	1
11	1018536-02	WIRE ASSEMBLY, #10 BLUE	1
12	1019687-01	WIRE ASSEMBLY, #6 WHITE	2
13	1019029-01	WIRE ASSEMBLY, #6 GREEN (SEE SERVICE BULLETIN 00-09)	1
14	1019200-01	WIRE ASSEMBLY, #6 YELLOW	1

13
E

13
E

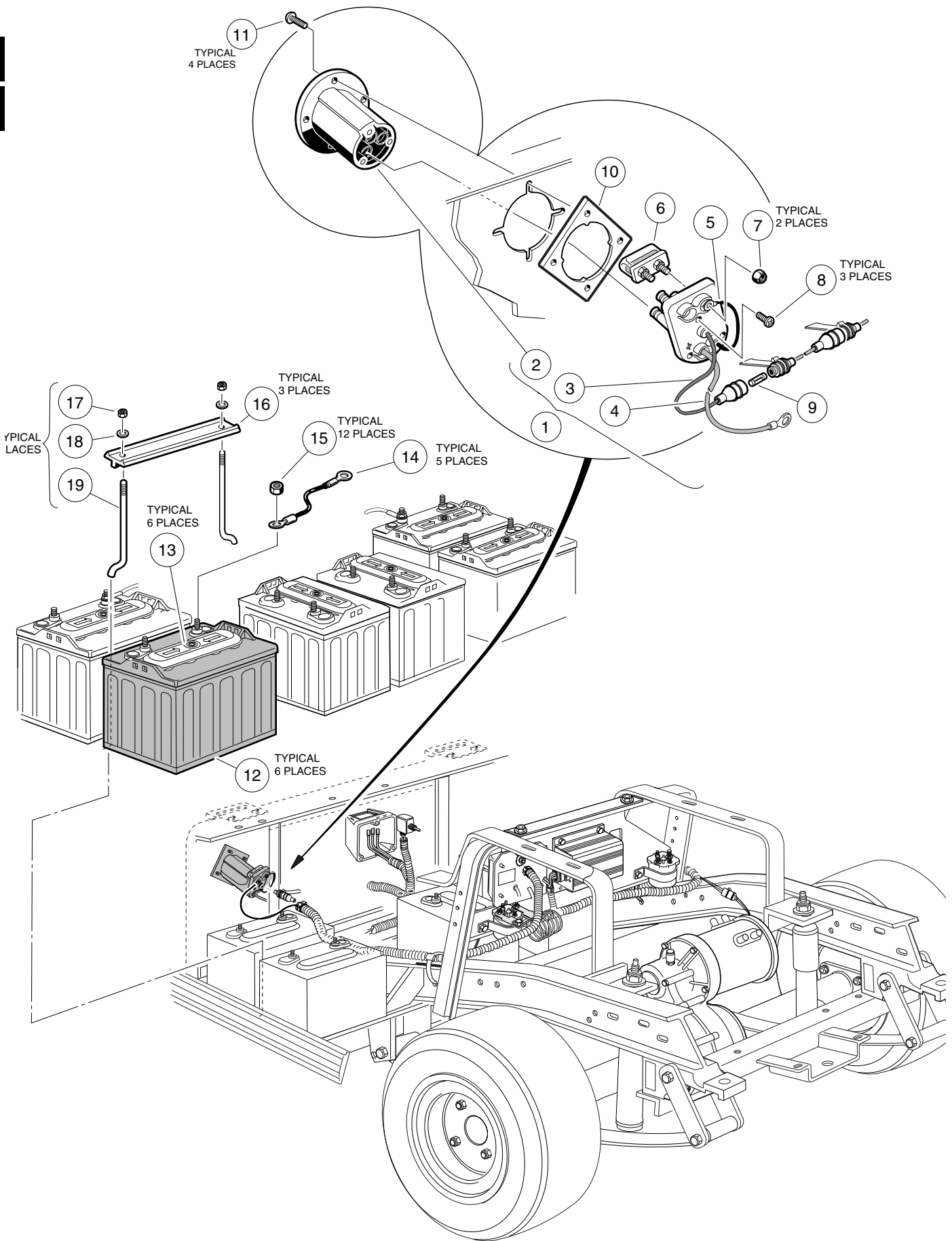


FORWARD AND REVERSE SWITCH, TOW SWITCH POWERDRIVE PLUS VEHICLE

ITEM	PART NO.	DESCRIPTION	QTY
		1 2 3 4	
1	1018560-01	SWITCH, FORWARD AND REVERSE	1
2	1018550-01	CASE, FORWARD AND REVERSE SWITCH	1
3	1018561-01	SCREW, HI-LO HEX HEAD, 1/4 - 15 x 1/2	3
4	0008248	SCREW, TRUSS PHILLIPS MACHINE, 1/4 - 20 x 3/4	2
5	1019225-01	BRACKET, TOW SWITCH	1
6	1019084-01	BOOT, TOW SWITCH	1
7	0000332	WASHER, FLAT, 1/4	2
8	0008233	NUT, NYLON LOCK, 1/4 - 20	2
9	1019081-01	SWITCH, TOW	1
10	0008990	TIE, WIRE	A/R

13

E

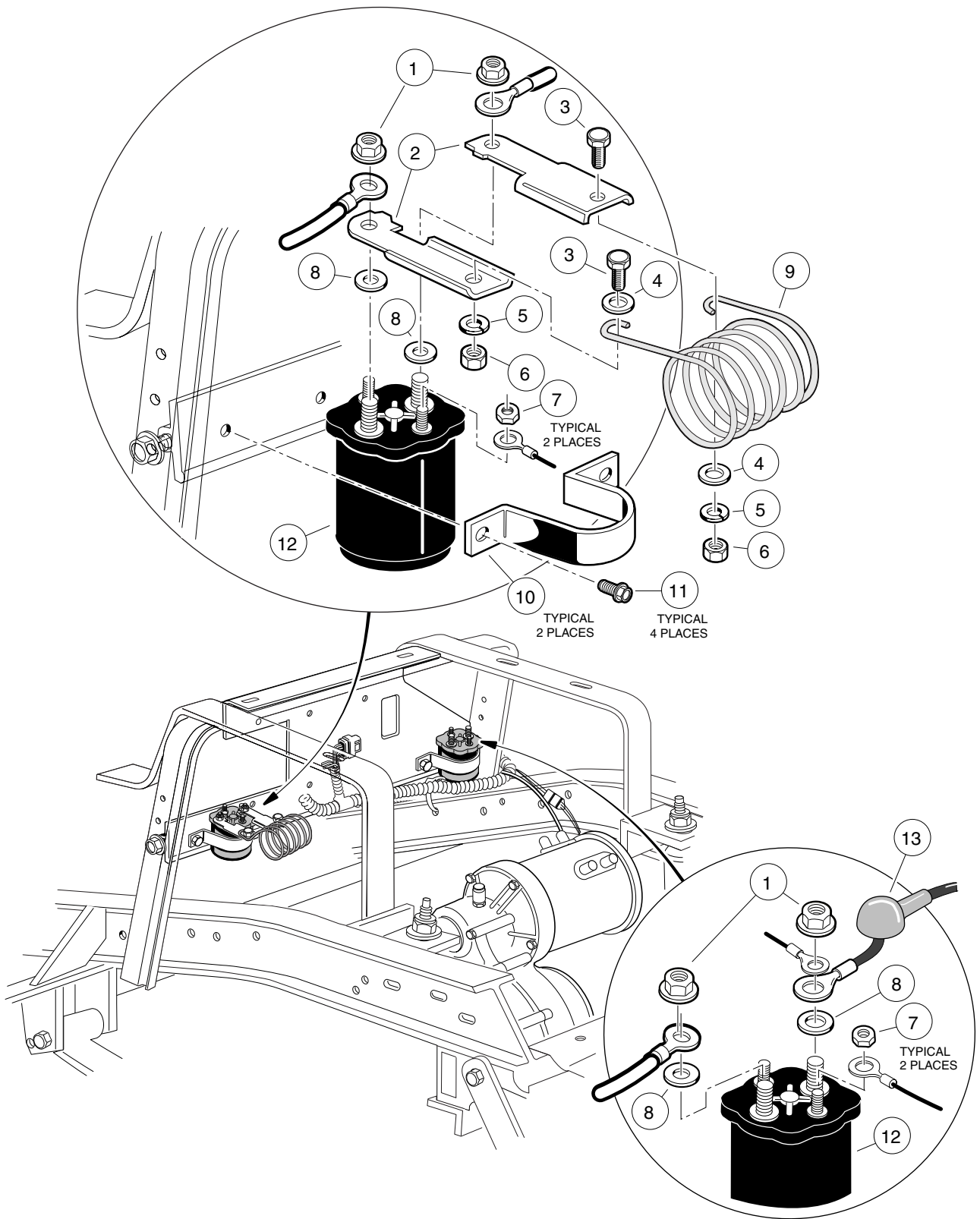


BATTERIES, CHARGER RECEPTACLE POWERDRIVE PLUS VEHICLE

ITEM	PART NO.	DESCRIPTION	QTY
		1 2 3 4	
1	1018021-01	KIT, FUSE AND RECEPTACLE (INCLUDES ITEMS 2 - 9)	1
2	1017965-01	BEZEL, RECEPTACLE	1
3	N/A	WIRE ASSEMBLY, SENSE LEAD, GRAY	1
4	N/A	WIRE ASSEMBLY, #10 RED	1
5	N/A	WIRE ASSEMBLY, #10 BLACK	1
6	1017968-01	ASSEMBLY, FUSE, 48 VOLT (INCLUDES ITEM 7)	1
7	1013061	NUT, NYLON LOCK, #10	2
8	1017705	SCREW, PHILLIPS PAN HEAD, #8 TYPE AB	3
9	1018949-01	ASSEMBLY, FUSE, 3/8 AMP	1
10	1018010-01	PLATE, RECEPTACLE BACKING	1
11	1018320-01	SCREW, PHILLIPS PAN HEAD, #7 - 18 x 3/4	4
12	1017977-01	BATTERY, 8 VOLT POWERDRIVE	6
12	1017977-02	BATTERY, 8 VOLT POWERDRIVE, DRY	6
13	1017978-01	CAP, BATTERY, 4 PORT GANG	6
14	1017957-01	WIRE ASSEMBLY, #6 BLACK	5
15	1014304	NUT, HEX, STAINLESS STEEL, 5/16 - 18	12
16	1018030-01	HOLD-DOWN, BATTERY	3
17	1015072	NUT, NYLON LOCK, STAINLESS STEEL, 5/16 - 18	6
18	1011578	WASHER, FLAT, TYPE B WIDE, 5/16	6
19	1013683	J-BOLT	6

13

E

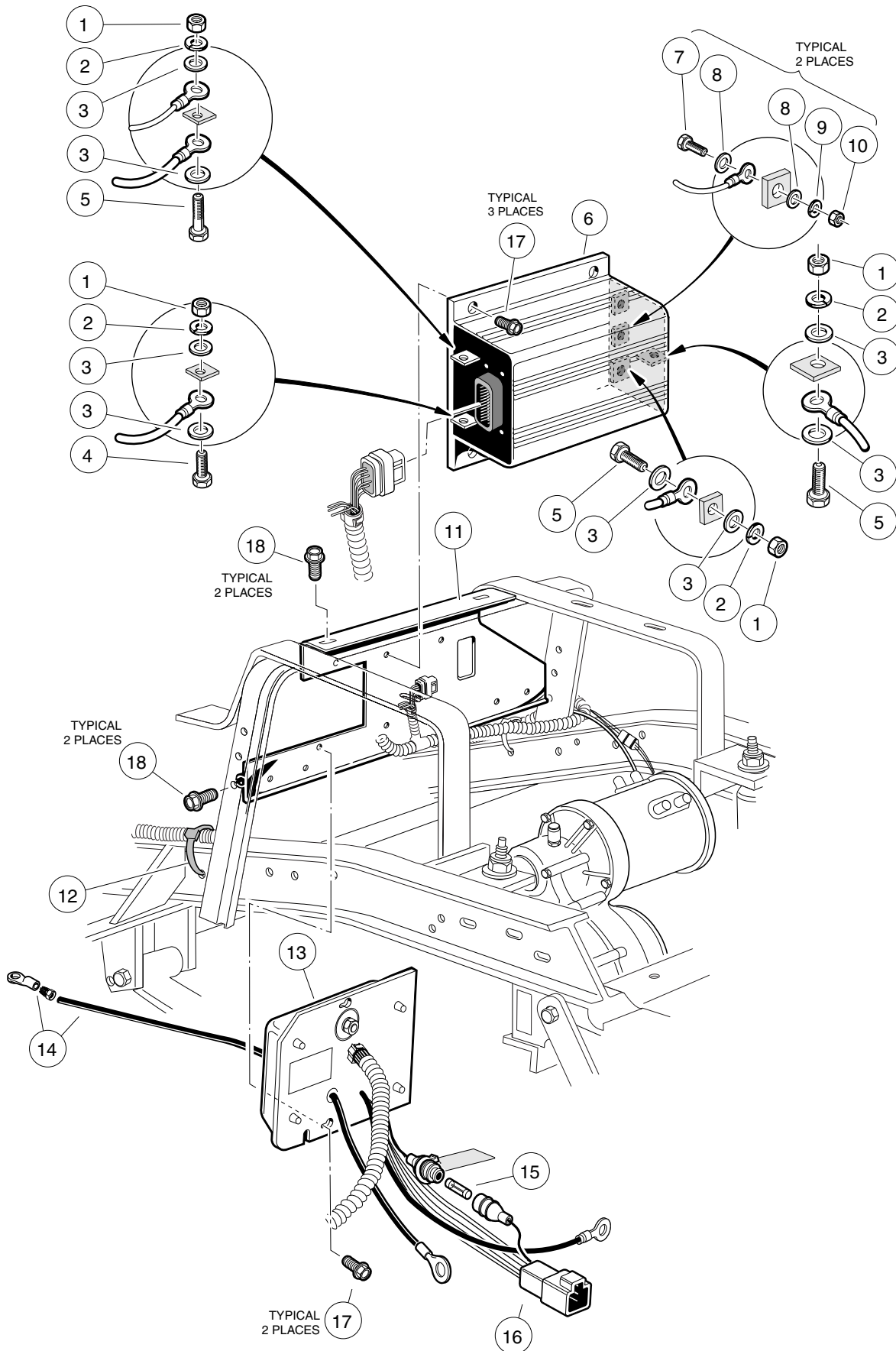


SOLENOIDS, ENERGY DISPLACEMENT MODULE POWERDRIVE PLUS VEHICLE

ITEM	PART NO.	DESCRIPTION	QTY
		1 2 3 4	
1	1017237	NUT, HEX FLANGED LOCK, 5/16 - 24	4
2	1018882-01	TAB, MOUNTING	2
3	1015069	SCREW, HEX HEAD, 1/4 - 20 x 3/4	2
4	1011931	WASHER, FLAT, 1/4	2
5	0000451	WASHER, LOCK, 1/4	2
6	0001028	NUT, HEX, 1/4 - 20	2
7	1018028	NUT, SERRATED, #10 - 32	4
8	1019344-01	WASHER, FLAT, BRASS, 5/16	4
9	1019644-01	MODULE, ENERGY DISPLACEMENT	1
10	1019579-01	BRACKET, MOUNTING	2
11	1012285	SCREW, THREAD-ROLLING, 1/4 - 20 x 5/8	4
12	1018836-01	SOLENOID, 48 VOLT	2
13	1019026-01	BOOT, WIRE	1

13

E



CONTROLLER, ON-BOARD COMPUTER POWERDRIVE PLUS VEHICLE

13

E

ITEM	PART NO.	DESCRIPTION	QTY
		1 2 3 4	
1	0001242	NUT, HEX, 5/16 - 18	4
2	0007174	WASHER, LOCK, 5/16	4
3	0001241	WASHER, FLAT, 5/16	8
4	0001218	BOLT, HEX HEAD, 5/16 - 18 x 1 1/4	1
5	0007173	BOLT, HEX HEAD, 5/16 - 18 x 3/4	3
6	1018879-01	CONTROLLER, 48 VOLT (225 AMP)	1
7	0008450	SCREW, HEX HEAD, #10 - 24 x 1/2	2
8	1018038	WASHER, #10	4
9	1016175	WASHER, LOCK, #10	2
10	0001017	NUT, HEX HEAD, #10 - 24	2
11	1019652-01	PLATE, COMPONENT MOUNTING	1
12	0008990	TIE, WIRE	A/R
13	1019099-02	COMPUTER, ON-BOARD (INCLUDES ITEMS 14, 15 AND 16)	1
14	1018278-01	KIT, WIRE AND TERMINAL, #6 BLACK	1
15	1018949-01	FUSE ASSEMBLY, 3/8 AMP	1
16	1019326-01	KIT, 6-PIN RECEPTACLE	1
17	1012285	SCREW, THREAD-ROLLING, 1/4 - 20 x 5/8	5
18	1014288	SCREW, THREAD-FORMING, 5/16 - 18 x 3/4	4

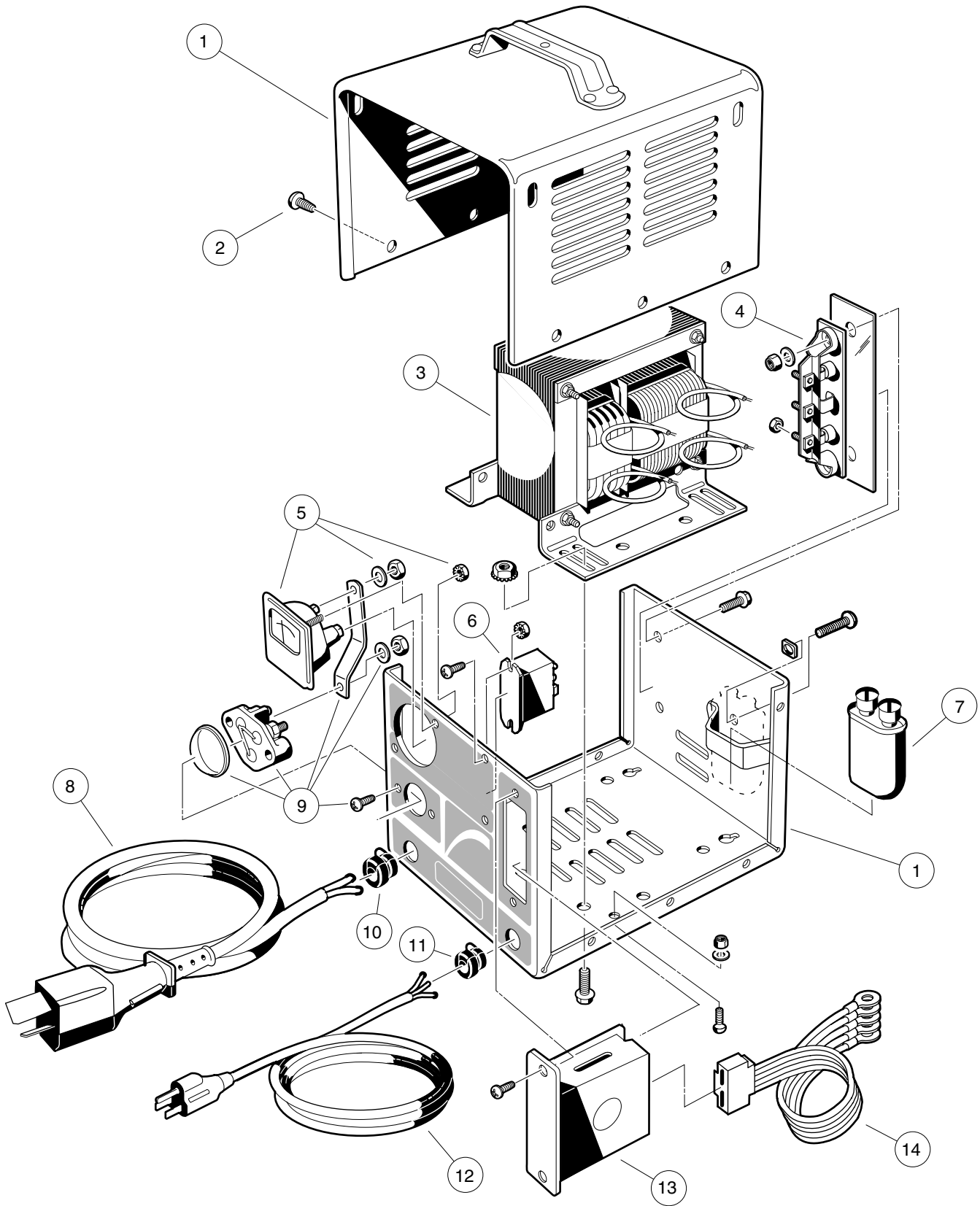
13

E

BATTERY CHARGER

14

E

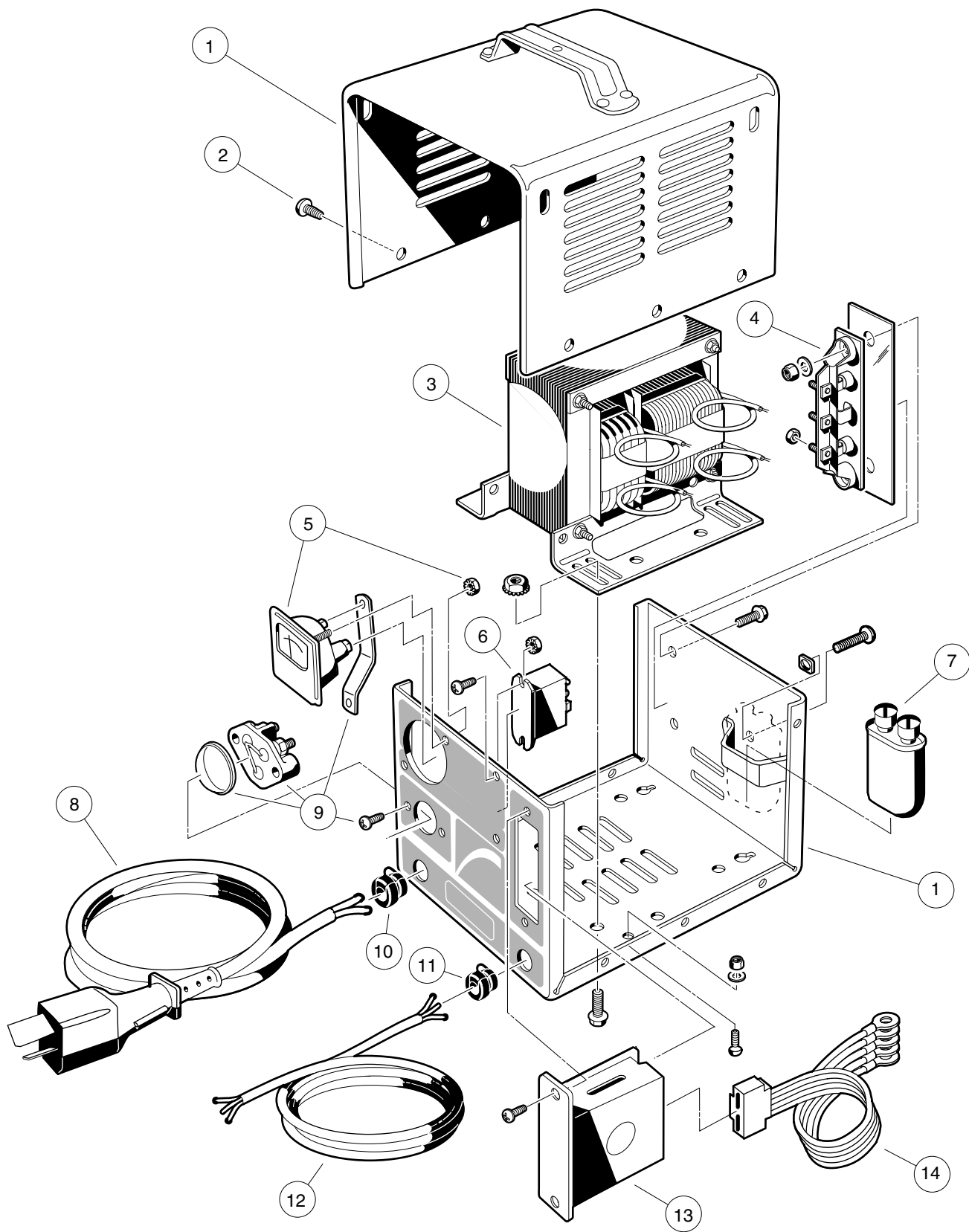


ACCU-POWER CHARGER, DOMESTIC V-GLIDE 36 VOLT VEHICLE

ITEM	PART NO.	DESCRIPTION	QTY
		1 2 3 4	
	1016464-01	CHARGER, ACCU-POWER, DOMESTIC, 120 VAC, 36 VDC, 60 HZ (MODEL NUMBER 13800-11) (INCLUDES ITEMS 1 - 14) 108 IN. DC CORD, 72 IN. AC CORD	1
1	1015907	ASSEMBLY, CASE (INCLUDES FASTENERS)	1
2	0007577	SCREW, PAN HEAD, SELF-TAPPING, #10 - 16 x 1/2	10
3	1015912	ASSEMBLY, TRANSFORMER	1
4	1015914	ASSEMBLY, HEATSINK, WITH DIODES (INCLUDES MOUNTING HARDWARE)	1
5	1015905	AMMETER (INCLUDES MOUNTING HARDWARE)	1
6	1015911	36 VDC RELAY	1
7	1015910	CAPACITOR	1
8	1016433-01	CORDSET, DC, 108 INCHES LONG (STANDARD) 12 AWG	1
8	1016433-02	CORDSET, DC, 146 INCHES LONG, 10 AWG	1
8	1016433-03	CORDSET, DC, 242 INCHES LONG, 10 AWG	1
9	1012101	ASSEMBLY, FUSE (INCLUDES HARDWARE)	1
10	1012098	BUSHING, STRAIN RELIEF, 12 AWG DC CORD	1
10	1012042	BUSHING, STRAIN RELIEF, 10 AWG DC CORD	1
11	1015917	BUSHING, STRAIN RELIEF, AC CORD	1
12	1015916-01	CORDSET, AC, 72 INCHES LONG (STANDARD)	1
12	1015916-02	CORDSET, AC, 108 INCHES LONG	1
13	1015906	ASSEMBLY, TIMER KIT (INCLUDES MOUNTING HARDWARE)	1
14	1015913	ASSEMBLY, CONTROL CABLE	1

14

E

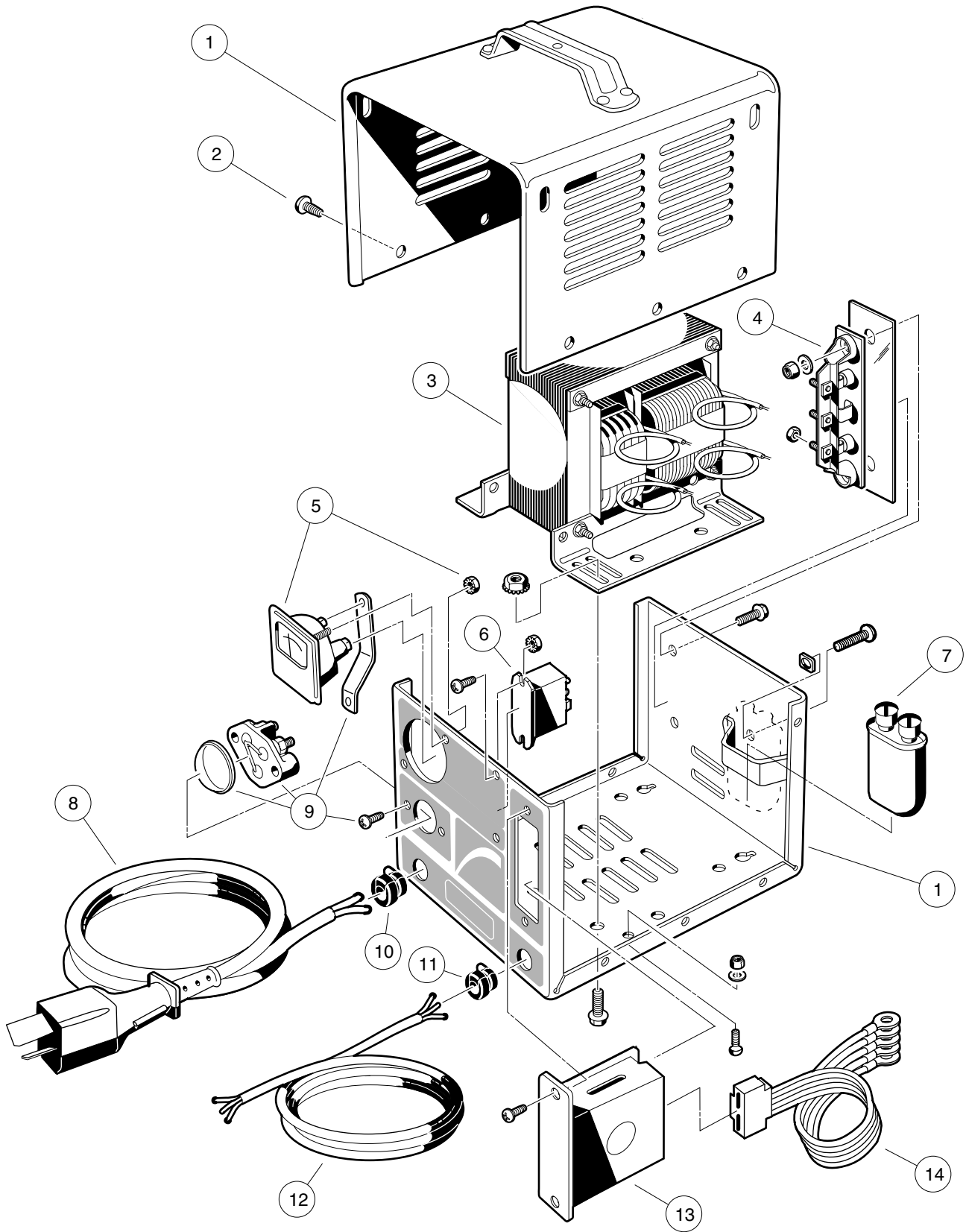


ACCU-POWER CHARGER, EXPORT, 230 VOLT V-GLIDE 36 VOLT VEHICLE

ITEM	PART NO.	DESCRIPTION	QTY
		1 2 3 4	
	1016434-01	CHARGER, ACCU-POWER, EXPORT, 230 VAC, 36 VDC, 50 HZ (MODEL NUMBER 14410-11) (INCLUDES ITEMS 1 - 14) 108 IN. DC CORD, 108 IN. AC CORD	1
1	N/A	ASSEMBLY, CASE (INCLUDES FASTENERS)	1
2	0007577	SCREW, PAN HEAD, SELF-TAPPING, #10 - 16 x 1/2	10
3	1015936	ASSEMBLY, TRANSFORMER	1
4	1015914	ASSEMBLY, HEATSINK, WITH DIODES (INCLUDES MOUNTING HARDWARE)	1
5	1015905	AMMETER (INCLUDES MOUNTING HARDWARE)	1
6	1015911	36 VDC RELAY	1
7	1015910	CAPACITOR	1
8	1016433-01	CORDSET, DC, 108 INCHES LONG, 12 AWG (STANDARD)	1
8	1016433-02	CORDSET, DC, 146 INCHES LONG, 10 AWG	1
8	1016433-03	CORDSET, DC, 242 INCHES LONG, 10 AWG	1
9	1012101	ASSEMBLY, FUSE (INCLUDES MOUNTING HARDWARE)	1
10	1012098	BUSHING, STRAIN RELIEF, 12 AWG DC CORD	1
10	1012042	BUSHING, STRAIN RELIEF, 10 AWG DC CORD	1
11	1015917	BUSHING, STRAIN RELIEF, AC CORD	1
12	1014696	CORDSET, AC, 108 INCHES LONG (STANDARD)	1
13	1015906	ASSEMBLY, TIMER KIT (INCLUDES MOUNTING HARDWARE)	1
14	1015913	ASSEMBLY, CONTROL CABLE	1

14

E

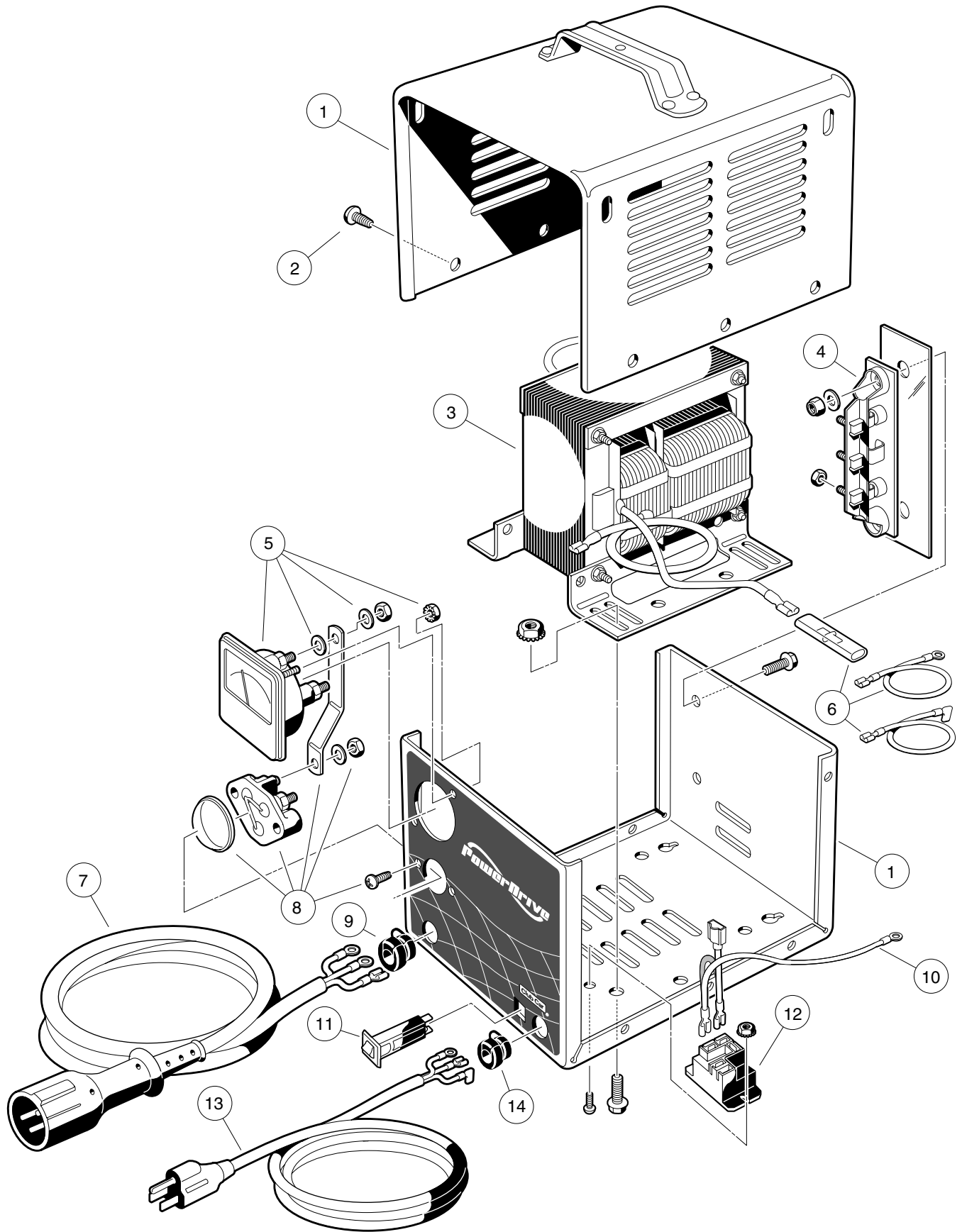


ACCU-POWER CHARGER, EXPORT, 100 VOLT V-GLIDE 36 VOLT VEHICLE

ITEM	PART NO.	DESCRIPTION	QTY
		1 2 3 4	
	1016462-01	CHARGER, ACCU-POWER, EXPORT, 100 VAC, 36 VDC, 50 HZ (MODEL NUMBER 14900) (INCLUDES ITEMS 1 - 14) 108 IN. DC CORD, 108 IN. AC CORD	1
1	N/A	ASSEMBLY, CASE (INCLUDES FASTENERS)	1
2	0007577	SCREW, PAN HEAD, SELF-TAPPING, #10 - 16 x 1/2	10
3	1016336	ASSEMBLY, TRANSFORMER	1
4	1015914	ASSEMBLY, HEATSINK, WITH DIODES (INCLUDES MOUNTING HARDWARE)	1
5	1015905	AMMETER (INCLUDES MOUNTING HARDWARE)	1
6	1015911	36 VDC RELAY	1
7	1015939	CAPACITOR	1
8	1016433-01	CORDSET, DC, 108 INCHES LONG, 12 AWG (STANDARD)	1
8	1016433-02	CORDSET, DC, 146 INCHES LONG, 10 AWG	1
8	1016433-03	CORDSET, DC, 242 INCHES LONG, 10 AWG	1
9	1012101	ASSEMBLY, FUSE (INCLUDES MOUNTING HARDWARE)	1
10	1012098	BUSHING, STRAIN RELIEF, 12 AWG DC CORD	1
10	1012042	BUSHING, STRAIN RELIEF, 10 AWG DC CORD	1
11	1015917	BUSHING, STRAIN RELIEF, AC CORD	1
12	1016282	CORDSET, AC, 108 INCHES LONG	1
13	1015906	ASSEMBLY, TIMER KIT (INCLUDES MOUNTING HARDWARE)	1
14	1015913	ASSEMBLY, CONTROL CABLE	1

14

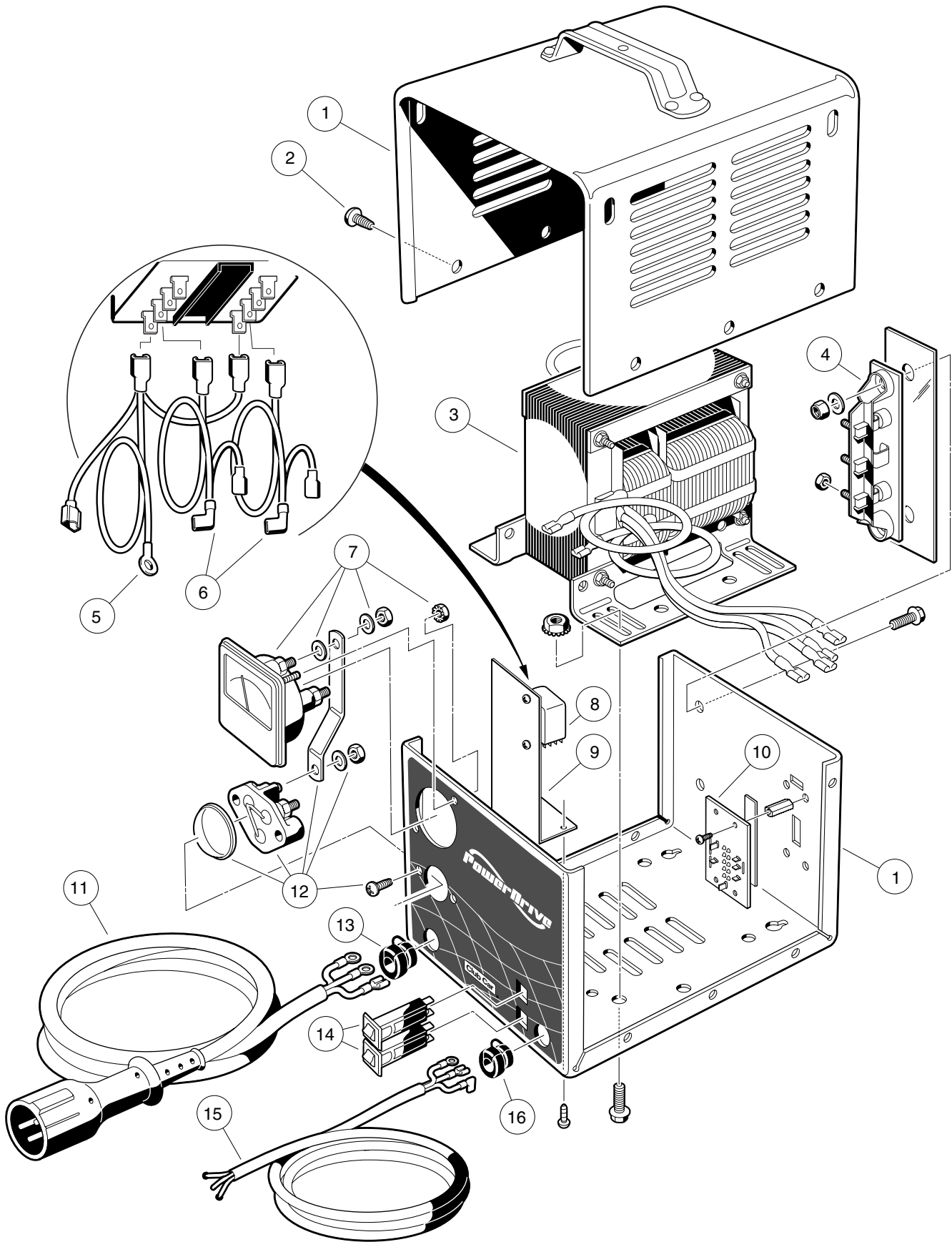
E



POWERDRIVE CHARGER, DOMESTIC POWERDRIVE SYSTEM 48 AND POWERDRIVE PLUS

14
E

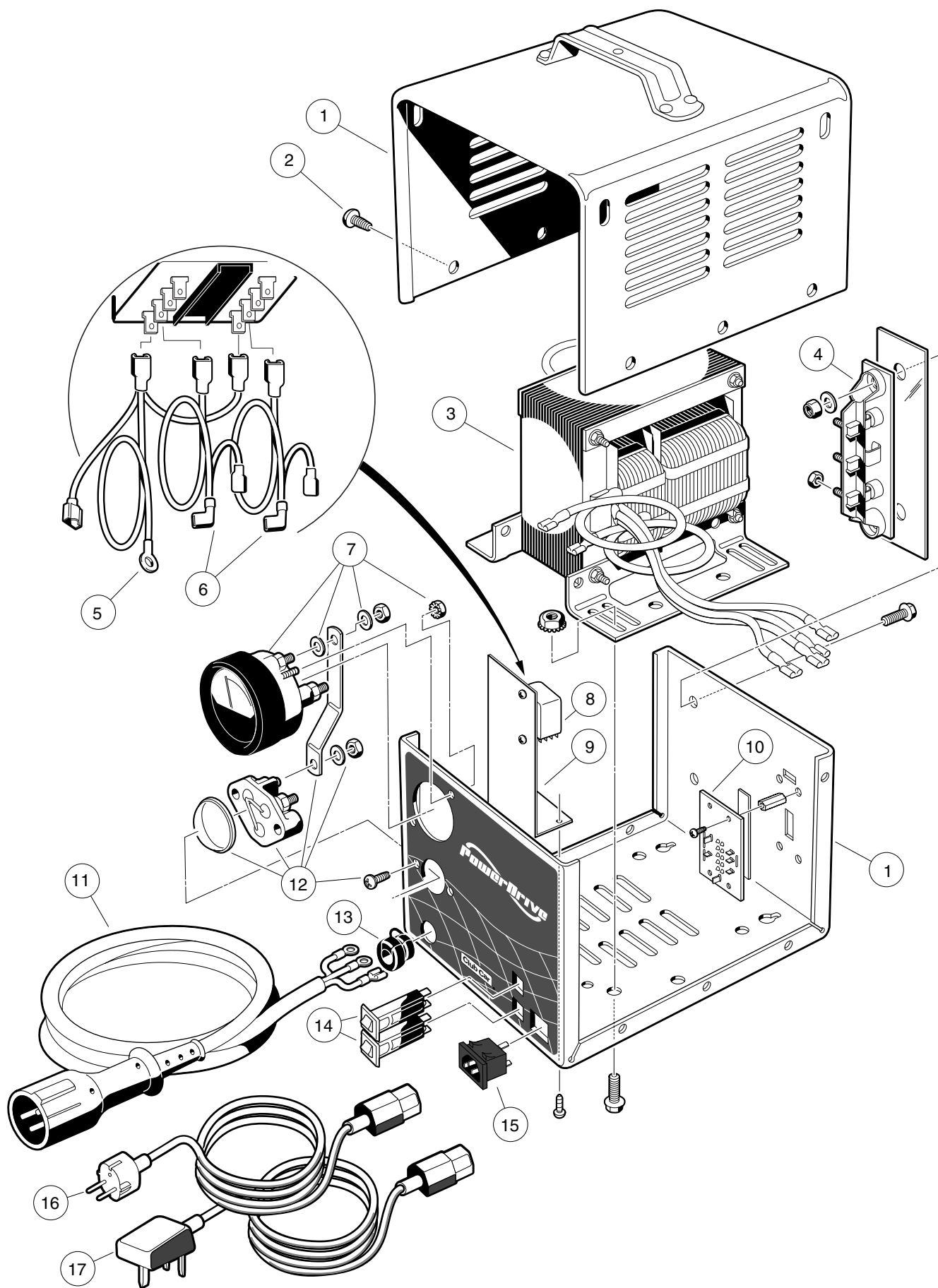
ITEM	PART NO.	DESCRIPTION	QTY
		1 2 3 4	
	1018022-01	CHARGER, BATTERY, POWERDRIVE, DOMESTIC 120VAC 48VDC 60 HZ (MODEL NUMBER 17930-11) (INCLUDES ITEMS 1 - 14) 103 IN. DC CORD WITH MALE 3-PIN PLUG, 12 AWG 74 IN. AC CORD WITH MALE GROUNDED PLUG	1
	1018022-02	CHARGER, BATTERY, POWERDRIVE 120VAC 48VDC 60 HZ (MODEL NUMBER 17930-18) (INCLUDES ITEMS 1 - 14) 144 IN. DC CORD WITH MALE 3-PIN PLUG, 12 AWG 108 IN. AC CORD WITH MALE GROUNDED PLUG	1
	1018022-03	CHARGER, BATTERY, POWERDRIVE 120VAC 48VDC 60 HZ (MODEL NUMBER 17930-19) (INCLUDES ITEMS 1 - 14) 240 IN. DC CORD WITH MALE 3-PIN PLUG, 12 AWG 108 IN. AC CORD WITH MALE GROUNDED PLUG	1
1	1018283-01	ASSEMBLY, CASE (INCLUDES FASTENERS)	1
2	0007577	SCREW, PAN HEAD, SELF-TAPPING, #10 - 16 x 1/2	10
3	1018197-01	ASSEMBLY, TRANSFORMER	1
4	1015914	ASSEMBLY, HEATSINK, WITH DIODES (INCLUDES MOUNTING HARDWARE)	1
5	1018285-01	AMMETER (INCLUDES MOUNTING HARDWARE)	1
6	1018311-01	KIT, WIRE ASSEMBLY	1
7	1018289-01	CORDSET, DC, 113 INCHES LONG WITH MALE 3-PIN PLUG, 12 AWG	1
7	1018289-02	CORDSET, DC, 154 INCHES LONG WITH MALE 3-PIN PLUG, 12 AWG	1
7	1018289-03	CORDSET, DC, 250 INCHES LONG WITH MALE 3-PIN PLUG, 12 AWG	1
8	1012101	ASSEMBLY, FUSE (INCLUDES MOUNTING HARDWARE)	1
9	1012098	BUSHING, STRAIN RELIEF, DC CORD, 12 AWG	1
10	1019144-01	ASSEMBLY, VOLTAGE SUPPRESSOR	1
11	1018287-01	BREAKER, CIRCUIT, 15 AMP	1
12	1018286-01	RELAY, POWER, 48 VDC	1
13	1018288-01	CORDSET, AC, 80 INCHES LONG	1
13	1018288-02	CORDSET, AC, 116 INCHES LONG	1
14	1015917	BUSHING, STRAIN RELIEF, AC CORD	1



POWERDRIVE CHARGER, EXPORT POWERDRIVE SYSTEM 48 AND POWERDRIVE PLUS

14
E

ITEM	PART NO.	DESCRIPTION	QTY
		1 2 3 4	
	1018315-03	CHARGER, BATTERY, POWERDRIVE, EXPORT WITH 4-POSITION SWITCH 100 - 200 - 220 - 240 VAC, 48 VDC 50/60 HZ (MODEL NUMBER 18780-11) (INCLUDES ITEMS 1 - 16) 103 IN. DC CORD WITH MALE 3-PIN PLUG, 12 AWG 74 IN. AC CORD WITH NO PLUG	1
	1018315-04	CHARGER, BATTERY, POWERDRIVE EXPORT WITH 4-POSITION SWITCH 100 - 200 - 220 - 240 VAC, 48 VDC 50/60 HZ (MODEL NUMBER 18780-18) (INCLUDES ITEMS 1 - 16) 144 IN. DC CORD WITH MALE 3-PIN PLUG, 12 AWG 108 IN. AC CORD WITH NO PLUG	1
1	1018381-01	ASSEMBLY, CASE (INCLUDES FASTENERS)	1
2	0007577	SCREW, PAN HEAD, SELF-TAPPING, #10 - 16 x 1/2	10
3	1018382-01	ASSEMBLY, TRANSFORMER	1
4	1015914	ASSEMBLY, HEATSINK, WITH DIODES (INCLUDES MOUNTING HARDWARE)	1
5	1019144-01	ASSEMBLY, VOLTAGE SUPPRESSOR	1
6	1018385-01	KIT, WIRE ASSEMBLY	1
7	1018285-01	AMMETER (INCLUDES HARDWARE)	1
8	1018383-01	RELAY, POWER, 48 VDC (INCLUDES MOUNTING HARDWARE)	1
9	1018387-01	BRACKET, POWER RELAY MOUNTING	1
10	1018386-01	SWITCH, 4-POSITION, SLIDE	1
11	1018289-01	CORDSET, DC, 113 INCHES LONG WITH MALE 3-PIN PLUG, 12 AWG	1
11	1018289-02	CORDSET, DC, 154 INCHES LONG WITH MALE 3-PIN PLUG, 12 AWG	1
11	1018289-03	CORDSET, DC, 250 INCHES LONG WITH MALE 3-PIN PLUG, 12 AWG	1
12	1012101	ASSEMBLY, FUSE (INCLUDES HARDWARE)	1
13	1012098	BUSHING, STRAIN RELIEF, DC CORD, 12 AWG	1
14	1018384-01	BREAKER, CIRCUIT, 15 AMP	2
15	1018317-01	CORDSET, AC, 80 INCHES LONG, WITH LEADS (NO PLUG)	1
15	1018317-02	CORDSET, AC, 116 INCHES LONG, WITH LEADS (NO PLUG)	1
16	1015917	BUSHING, STRAIN RELIEF, AC CORD	1



POWERDRIVE CHARGER, EUROPEAN POWERDRIVE SYSTEM 48 AND POWERDRIVE PLUS

14
E

ITEM	PART NO.	DESCRIPTION	QTY
		1 2 3 4	
	1019562-01	CHARGER, BATTERY, POWERDRIVE, EUROPEAN WITH 4-POSITION SWITCH 100 - 200 - 220 - 240 VAC, 48 VDC 50/60 HZ (MODEL NUMBER 20300) (INCLUDES ITEMS 1 - 15) 103" DC CORD WITH MALE 3-PIN PLUG, 12 AWG	1
	1019562-02	CHARGER, BATTERY, POWERDRIVE EUROPEAN WITH 4-POSITION SWITCH 100 - 200 - 220 - 240 VAC, 48 VDC 50/60 HZ (MODEL NUMBER 20310) (INCLUDES ITEMS 1 - 15) 144" DC CORD WITH MALE 3-PIN PLUG, 12 AWG	1
1	1018381-02	ASSEMBLY, CASE (INCLUDES FASTENERS)	1
2	0007577	SCREW, PAN HEAD, SELF-TAPPING, #10 - 16 x 1/2	10
3	1018382-01	ASSEMBLY, TRANSFORMER	1
4	1015914	ASSEMBLY, HEATSINK, WITH DIODES (INCLUDES MOUNTING HARDWARE)	1
5	1019144-01	ASSEMBLY, VOLTAGE SUPPRESSOR	1
6	1018385-01	KIT, WIRE ASSEMBLY	1
7	1019766-01	AMMETER (INCLUDES HARDWARE)	1
8	1019875-01	RELAY, POWER, 48 VDC (INCLUDES MOUNTING HARDWARE)	1
9	1018387-01	BRACKET, POWER RELAY MOUNTING	1
10	1018386-01	SWITCH, 4-POSITION, SLIDE	1
11	1018289-01	CORDSET, DC, 103" LONG WITH MALE 3-PIN PLUG, 12 AWG	1
11	1018289-02	CORDSET, DC, 144" LONG WITH MALE 3-PIN PLUG, 12 AWG	1
11	1018289-03	CORDSET, DC, 250" LONG WITH MALE 3-PIN PLUG, 12 AWG	1
12	1012101	ASSEMBLY, FUSE (INCLUDES HARDWARE)	1
13	1012098	BUSHING, STRAIN RELIEF, DC CORD, 12 AWG	1
14	1018384-01	BREAKER, CIRCUIT, 15 AMP	2
15	1019735-01	RECEPTACLE, AC CORD	1
16	1019583-01	CORDSET, AC, CONTINENTAL EUROPE, 96" LONG, WITH MALE 2-PIN PLUG)	1
17	1019582-01	CORDSET, AC, U.K., 96" LONG, WITH MALE 3-PIN PLUG)	1

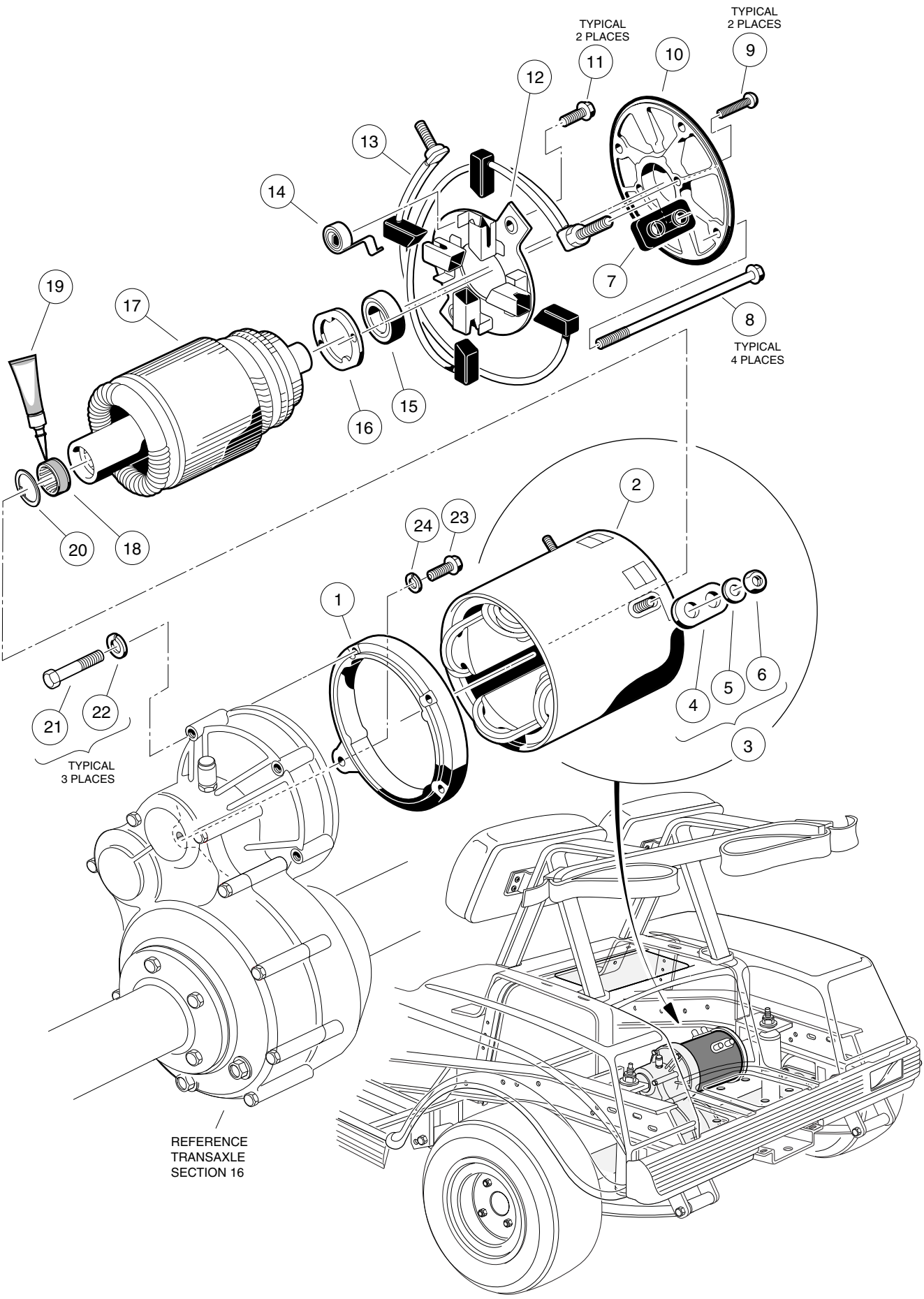
14

E

ELECTRIC MOTOR

15

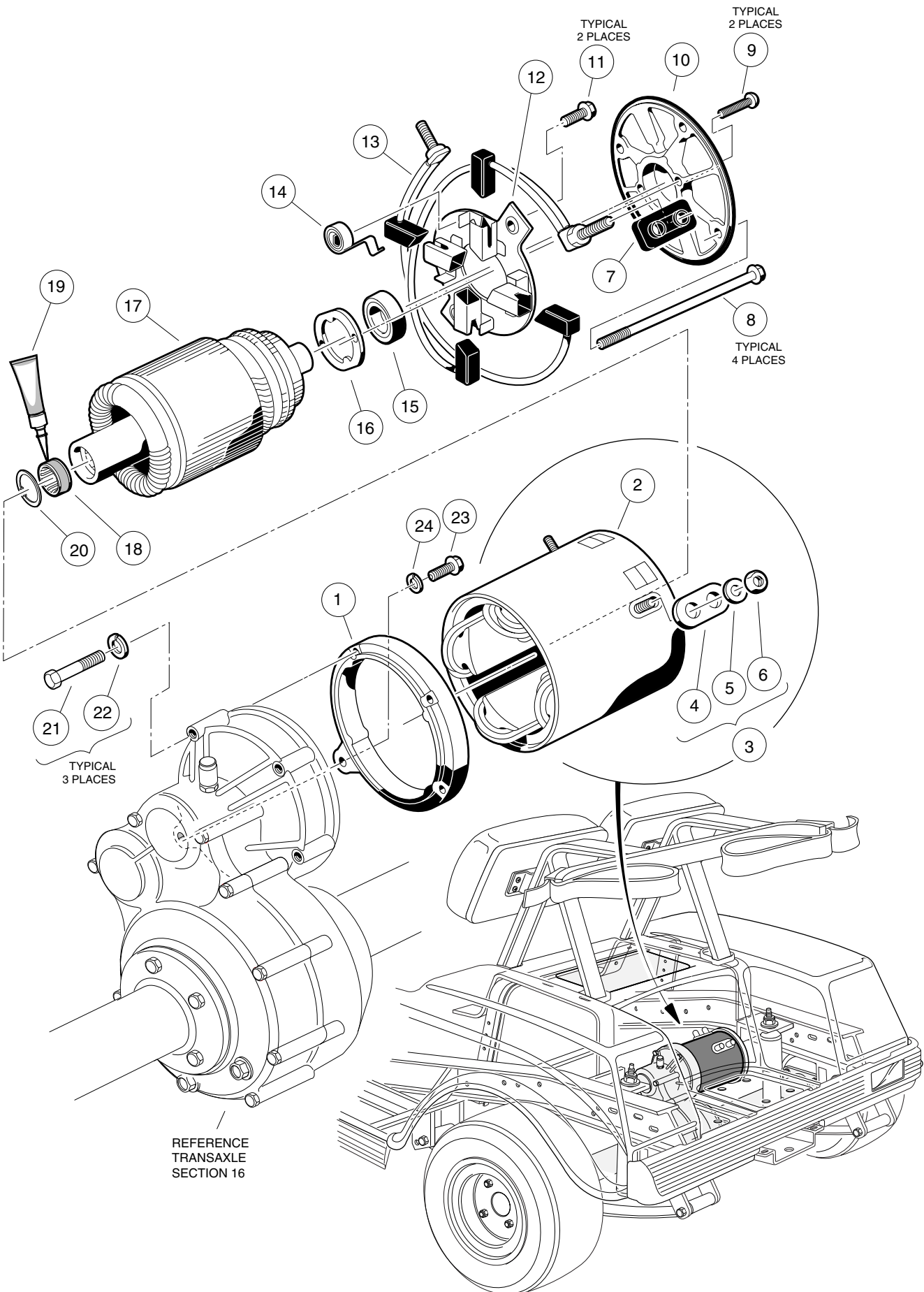
E



MOTOR - V-GLIDE 36 VOLT VEHICLE

ITEM	PART NO.	DESCRIPTION	QTY
		1 2 3 4	
	1018134-01	ASSEMBLY, 36 VOLT MOTOR, 2.97 HP (INCLUDES ITEMS 1 - 20)	1
1	1017944	SHIELD, END	1
2	1017954	ASSEMBLY, STATOR SHELL AND WINDING	1
3	1017947	PACKAGE, HARDWARE (INCLUDES ITEMS 4 - 7)	1
4	N/A	BUSHING, INSULATOR	2
5	N/A	WASHER, FLAT, 5/16	4
6	N/A	NUT, HEX, 5/16 - 18	4
7	N/A	BUSHING, INSULATOR	2
8	1017952	SCREW, CLAMP	4
9	1017953	SCREW, BEARING RETAINER	2
10	1017951	SHIELD, END	1
11	1017949	SCREW, BRUSH HOLDER	2
12	1017948	RIGGING, BRUSH	1
13	1017946	PACKAGE, BRUSH (2 PIECES)	1
14	1011411	PACKAGE, BRUSH SPRING (4 PIECES)	1
15	1011290	BEARING, BALL	1
16	1017950	RETAINER, BEARING	1
17	N/A	ARMATURE	1
18	1017891-01	RING, GUIDE	1
19	1018132-02	ADHESIVE, GUIDE RING, 3 GRAM TUBE	A/R
20	1018228-01	RING, INTERNAL RETAINING	1
21	1014201	BOLT, HEX HEAD, 1/4 - 20 x 2 1/4	3
22	0000451	WASHER, LOCK, 1/4	3
23	1010934	BOLT, HEX HEAD, 5/16 - 18 x 1	1
24	0007174	WASHER, LOCK, 5/16	1

15
E



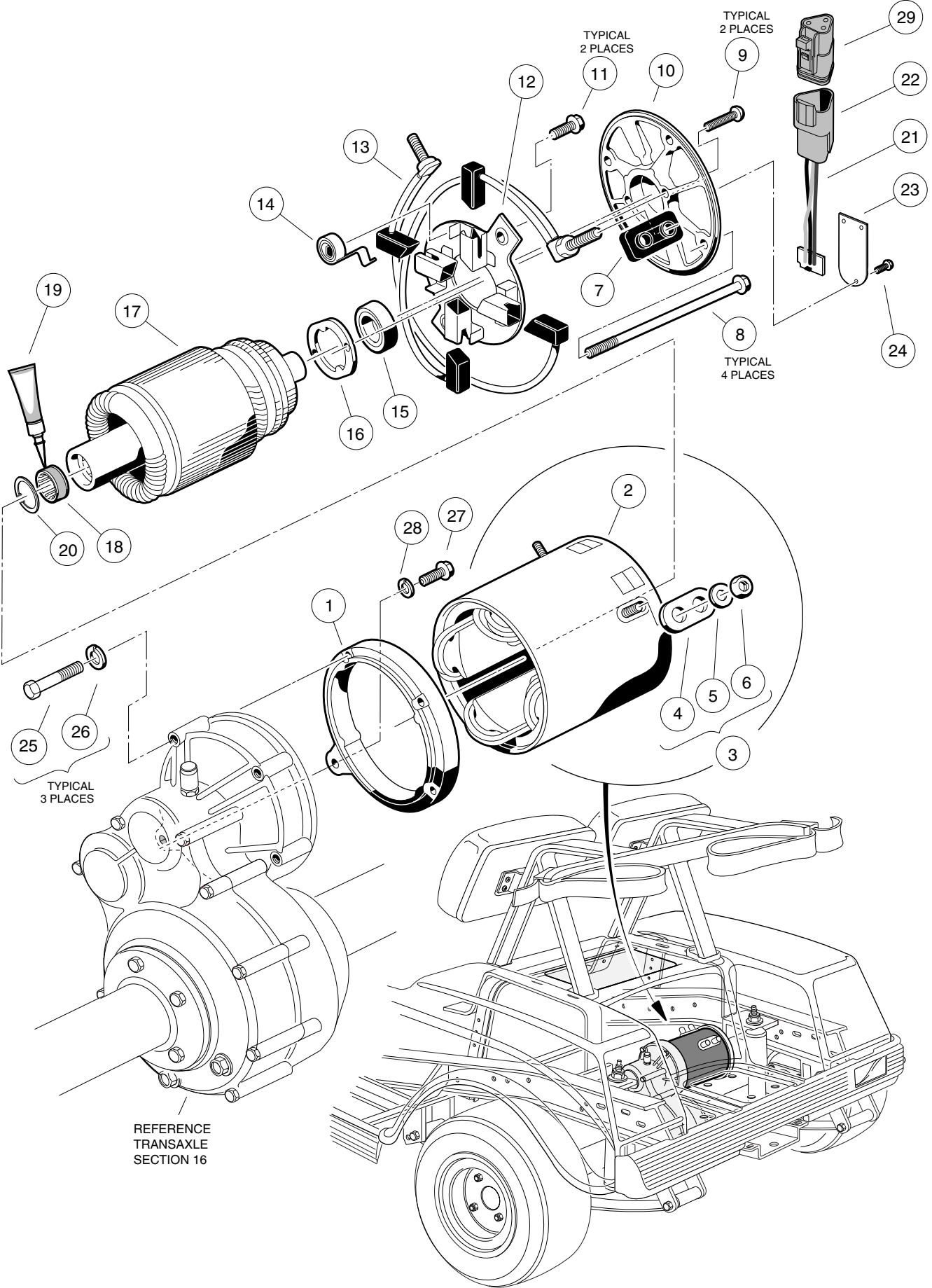
REFERENCE
TRANSAXLE
SECTION 16

MOTOR - POWERDRIVE SYSTEM 48 VEHICLE

ITEM	PART NO.	DESCRIPTION	QTY
		1 2 3 4	
	1018133-01	ASSEMBLY, 48 VOLT MOTOR, 3.10 HP (INCLUDES ITEMS 1 - 20)	1
1	1017944	SHIELD, END	1
2	1017958	ASSEMBLY, STATOR SHELL AND WINDING	1
3	1017947	PACKAGE, HARDWARE (INCLUDES ITEMS 4 - 7)	1
4	N/A	BUSHING, INSULATOR	2
5	N/A	WASHER, FLAT, 5/16	4
6	N/A	NUT, HEX, 5/16 - 18	4
7	N/A	BUSHING, INSULATOR	2
8	1017961	SCREW, CLAMP	4
9	1017953	SCREW, BEARING RETAINER	2
10	1017951	SHIELD, END	1
11	1017949	SCREW, BRUSH HOLDER	2
12	1017948	RIGGING, BRUSH	1
13	1017946	PACKAGE, BRUSH (2 PIECES)	1
14	1011411	PACKAGE, BRUSH SPRING (4 PIECES)	1
15	1011290	BEARING, BALL	1
16	1017950	RETAINER, BEARING	1
17	N/A	ARMATURE	1
18	1017891-01	RING, GUIDE	1
19	1018132-02	ADHESIVE, GUIDE RING, 3 GRAM TUBE	A/R
20	1018228-01	RING, INTERNAL RETAINING	1
21	1014201	BOLT, HEX HEAD, 1/4 - 20 x 2 1/4	3
22	0000451	WASHER, LOCK, 1/4	3
23	1010934	BOLT, HEX HEAD, 5/16 - 18 x 1	1
24	0007174	WASHER, LOCK, 5/16	1

15

E



MOTOR - POWERDRIVE PLUS VEHICLE

ITEM	PART NO.	DESCRIPTION	QTY
		1 2 3 4	
	1018546-01	ASSEMBLY, 48 VOLT MOTOR, 3.10 HP (INCLUDES ITEMS 1 - 24)	1
1	1017944	SHIELD, END	1
2	1018792-01	ASSEMBLY, STATOR SHELL AND WINDING	1
3	1017947	PACKAGE, HARDWARE (INCLUDES ITEMS 4 - 7)	1
4	N/A	BUSHING, INSULATOR	2
5	N/A	WASHER, FLAT, 5/16	4
6	N/A	NUT, HEX, 5/16 - 18	4
7	N/A	BUSHING, INSULATOR	2
8	1017961	SCREW, CLAMP	4
9	1017953	SCREW, BEARING RETAINER	2
10	1018793-01	SHIELD, END (WITH SPEED SENSOR)	1
11	1017949	SCREW, BRUSH HOLDER	2
12	1017948	RIGGING, BRUSH	1
13	1017946	PACKAGE, BRUSH (2 PIECES)	1
14	1011411	PACKAGE, BRUSH SPRING (4 PIECES)	1
15	1011290	BEARING, BALL	1
16	1017950	RETAINER, BEARING	1
17	N/A	ARMATURE	1
18	1017891-01	RING, GUIDE	1
19	1018132-02	ADHESIVE, GUIDE RING, 3 GRAM TUBE	A/R
20	1018228-01	RING, INTERNAL RETAINING	1
21	1019258-01	SENSOR, HALL EFFECT (INCLUDES ITEM 22)	1
22	1018951-01	HOUSING, FEMALE 3-WIRE, GREY	1
23	1019303-01	PLATE, RETAINING	1
24	1019304-01	SCREW, RETAINING	3
25	1014201	BOLT, HEX HEAD, 1/4 - 20 x 2 1/4	3
26	0000451	WASHER, LOCK, 1/4	3
27	1010934	BOLT, HEX HEAD, 5/16 - 18 x 1	1
28	0007174	WASHER, LOCK, 5/16	1
29	1019201-01	HOUSING, MALE 3-WIRE, GREY	1

15

E

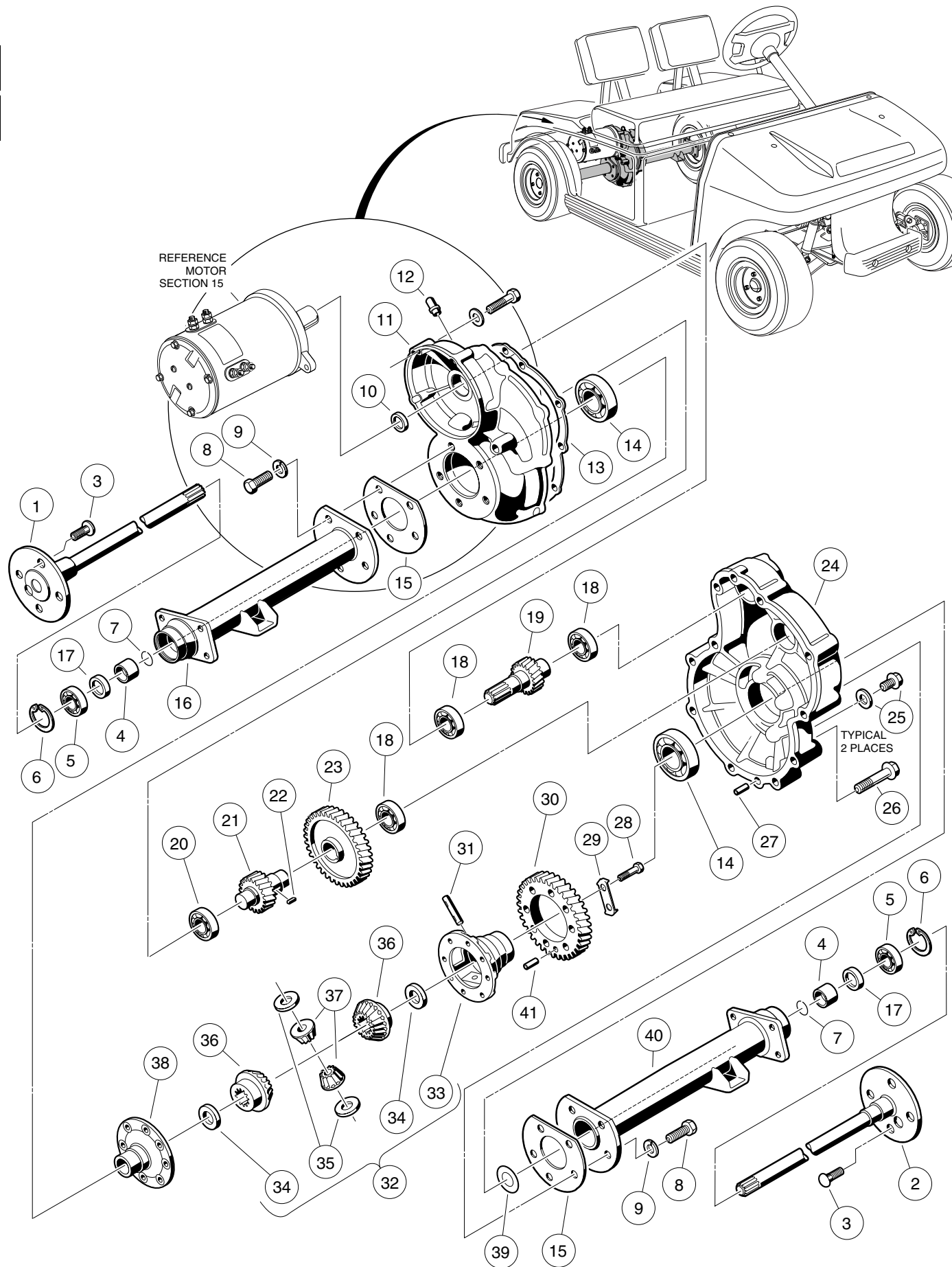
15

E

TRANSAXLE ELECTRIC VEHICLE

16

E



TRANSAXLE, TYPE K - ELECTRIC VEHICLE

ITEM	PART NO.	DESCRIPTION	QTY
		1 2 3 4	
	N/A	TRANSAXLE (INCLUDES ITEMS 1 - 41)	1
1	1013785	AXLE ASSEMBLY, RIGHT (INCLUDES ITEMS 3 - 7)	1
2	1013786	AXLE ASSEMBLY, LEFT (INCLUDES ITEMS 3 - 7)	1
3	1013787	STUD, LUG	8
4	1014207	BUSHING, 25 MM I. D.	1
5	1011291	BEARING, OUTER AXLE TUBE	2
6	1013792	CIRCLIP, TYPE C	2
7	1016672	RING, RETAINING	2
8	1013790	BOLT, M10 x 1.5 x 30MM	10
9	1013791	WASHER, LOCK, 13/32	10
10	1013775	SEAL, INPUT SHAFT OIL	1
11	1013756	GEAR CASE, RIGHT	1
12	1012711	BREATHER	1
13	1013758	GASKET, CASE	1
14	0007330	BEARING, INNER AXLE TUBE	2
15	1013789	GASKET, AXLE TUBE	2
16	1017704	ASSEMBLY, AXLE TUBE, RIGHT SIDE	1
17	1013794	SEAL, AXLE SHAFT OIL	2
18	0007335	BEARING, INPUT GEAR	3
19	1013764	SHAFT, INPUT	1
20	0007336	BEARING, INTERMEDIATE GEAR	1
21	1013766	GEAR, INTERMEDIATE, SMALL	1
22	1013780	KEY, SUNK	1
23	1013765	GEAR, INTERMEDIATE, LARGE	1
24	1013757	GEAR CASE, LEFT	1
25	1013759	PLUG, FILL, WITH GASKET	2
26	1013763	BOLT, M6 x 1 x 50MM	10
27	1012710	PIN, DOWEL	2
28	1013779	BOLT, M8 x 1.25 x 37MM	8
29	1013782	PLATE, LOCK	4
30	1013767	GEAR, OUTPUT	1
31	1013772	PIN, DIFFERENTIAL	1
32	1019105-01	KIT, DIFFERENTIAL GEAR CASE (INCLUDES ITEMS 33 - 35)	1
33	1013768	GEAR CASE, DIFFERENTIAL (LEFT)	1
34	1013773	PLATE, THRUST (DIFFERENTIAL GEAR)	2
35	1013774	PLATE, THRUST (IDLER GEAR)	2
36	1013771	GEAR, DIFFERENTIAL	2
37	1013770	GEAR, DIFFERENTIAL IDLER	2
38	1013769	GEAR CASE, DIFFERENTIAL (RIGHT)	1
39	1013781	SHIM	1
40	1017703	ASSEMBLY, AXLE TUBE, LEFT SIDE	1
41	1014193	PIN, DOWEL	1

16

E

16

E



Golf Cars

Club Car Inc.

P.O. Box 204658

Augusta, GA 30917-4658