

**Club Car**

®

**1996  
ILLUSTRATED  
PARTS LIST**



**DS GOLF CARS**  
**GASOLINE/ELECTRIC**  
MANUAL NUMBER 101886201  
PRINT CODE 0296C0201A



# USING THE ILLUSTRATED PARTS LIST

## WARNING

- THIS MANUAL IS TO BE USED ONLY FOR IDENTIFICATION AND ORDERING OF SERVICE PARTS. BE SURE TO READ AND USE THE MAINTENANCE AND SERVICE MANUAL BEFORE ATTEMPTING ANY VEHICLE REPAIRS.

This manual covers all 1996 Club Car DS Tranquility<sup>®</sup> V-Glide 36-Volt, DS PowerDrive<sup>®</sup> System 48, and DS PowerDrive Plus vehicles.

The manual is divided into 17 sections. Sections 1 through 4 pertain to both gasoline and electric vehicles, sections 5 through 11 pertain to gasoline vehicles only, sections 12 through 15 pertain to electric vehicles only, and sections 16 and 17 pertain to both gasoline and electric vehicles. Note that there are two or three flags on the outside edge of each page. The first flag will contain the section number of which that page is a part. The other flag (or flags) will contain either the letter G or E, signifying that the page pertains to either the gasoline or electric vehicle only, or to both the gasoline and electric vehicles.

Use the Table of Contents to find the sections and pages that contain the parts and assemblies you seek. The Table of Contents lists section titles and numbers, and under them, the individual page titles and numbers to be found in that section. Unless a page title specifies a particular vehicle(s), the page applies to all DS vehicles.

You will also find vehicle models and serial numbers specified within the listings for individual page titles. These model and serial number specifications identify the vehicles on which parts usage as described on a particular page either began or ended. Have the serial number(s) of your vehicle(s) at hand and read the listings carefully when using the table of contents.

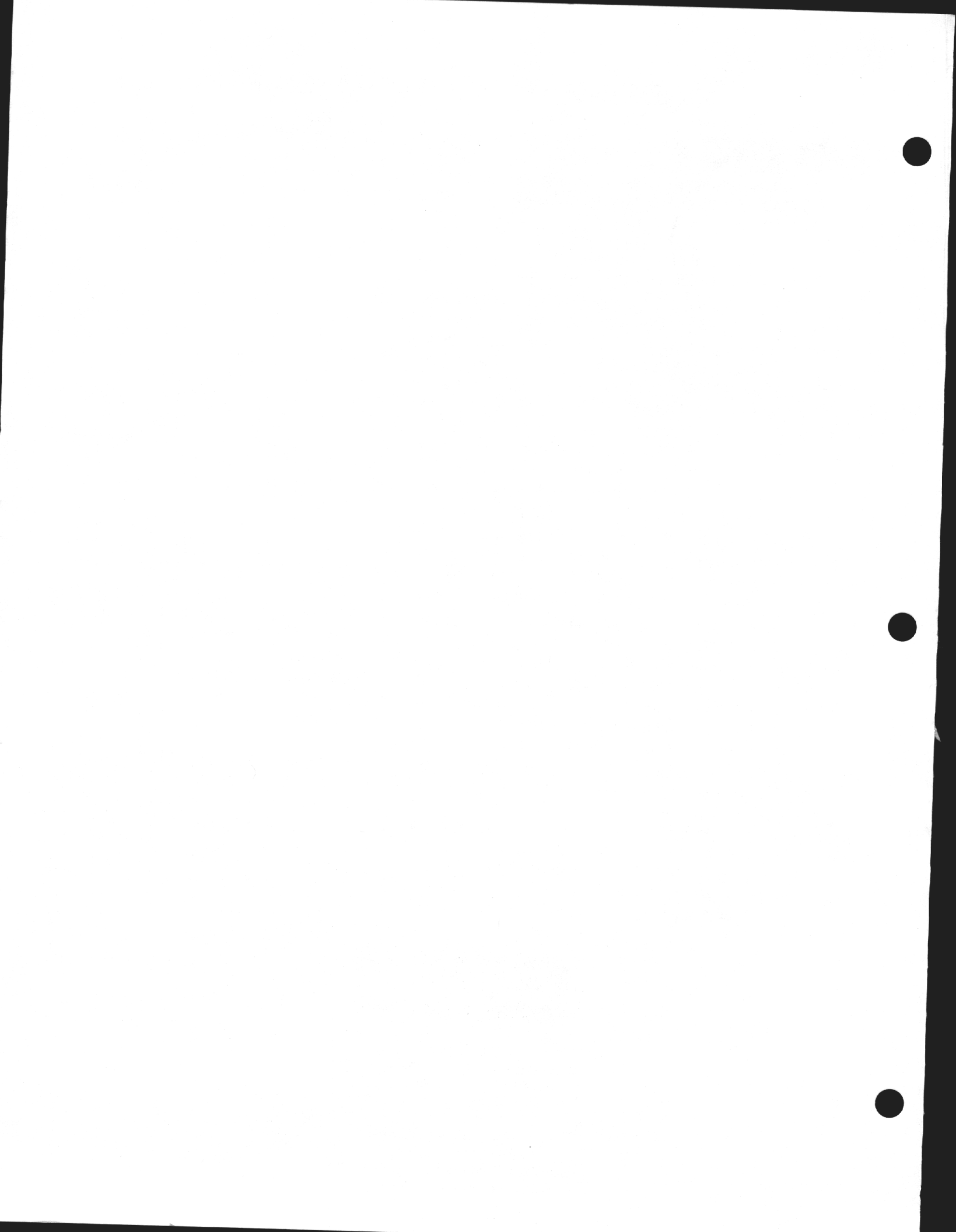
Typically, there is a two-page spread for each individual page title in the Table of Contents (however, some titles required several spreads). On the left-hand page is an illustration showing the parts in their relative positions; the parts are each tagged with an item number in a balloon. The right-hand page is the parts list page, and gives the page title at the top, then the item numbers (corresponding to the numbers on the illustration), part descriptions, and quantity of parts used. Some item numbers have more than one part number because several models and/or configurations of a component are represented together on one spread.

Note that a part description may be indented. This indentation corresponds to a parts assembly level indicated by the numbers 1, 2, 3, and 4 at the top left corner of the parts description area of the parts list page. A part that is indented to *level 2* is a component of the *level 1 part* (assembly) that it is listed under. A *level 3* part is a component of the *level 2* part that it is listed under, and a *level 4* part is a component of the *level 3* part preceding it. In each case, the part quantity given for a level 2, 3, or 4 part is the quantity used per next higher level assembly of which it is a component. A part that is not indented is a level one part. This means that the quantity given is the quantity used per the portion of the vehicle illustrated on that particular spread.



P. O. Box 204658  
Augusta, Georgia 30917-4658 USA  
Telephone 706-863-3000  
Service Parts Fax 706-855-7413

© 1996, CLUB CAR INC.  
All rights reserved.  
This manual effective August 1, 1995  
Manual print code: 0296B0201A



# CONTENTS

<b>BODY AND TRIM</b>		<b>SECTION 1</b>
BODY TRIM .....	1-3	
FRONT BODY .....	1-5	
REAR BODY AND FENDER - GASOLINE VEHICLE .....	1-7	
REAR BODY AND FENDER - ELECTRIC VEHICLE .....	1-9	
SEAT BOTTOM AND ARMREST .....	1-11	
SEAT BACK AND BAG HOOP .....	1-13	
WHEELS AND TIRES .....	1-15	
<b>TRANSAXLE</b>		<b>SECTION 2</b>
TRANSAXLE .....	2-3	
<b>BRAKES, PEDAL, AND CABLE ASSEMBLIES</b>		<b>SECTION 3</b>
BRAKE ASSEMBLY .....	3-3	
BRAKE PEDAL AND CABLE ASSEMBLY .....	3-5	
ACCELERATOR PEDAL ASSEMBLY - GASOLINE AND V-GLIDE 36 VOLT VEHICLES .....	3-7	
ACCELERATOR PEDAL ASSEMBLY - POWERDRIVE SYSTEM 48 AND POWERDRIVE PLUS .....	3-9	
<b>STEERING AND SUSPENSION</b>		<b>SECTION 4</b>
STEERING COLUMN .....	4-3	
STEERING GEAR ASSEMBLY .....	4-5	
STEERING GEAR ASSEMBLY .....	4-7	
FRONT SUSPENSION, UPPER .....	4-9	
FRONT SUSPENSION, LOWER .....	4-11	
<b>ELECTRICAL SYSTEM - GASOLINE VEHICLE</b>		<b>SECTION 5</b>
WIRING - GASOLINE VEHICLE .....	5-3	
FORWARD AND REVERSE SHIFTER ASSEMBLY - GASOLINE VEHICLE .....	5-5	
ELECTRICAL COMPONENT BOX - GASOLINE VEHICLE .....	5-7	
ELECTRICAL COMPONENTS - GASOLINE VEHICLE .....	5-9	
STARTER/GENERATOR ASSEMBLY (For Vehicles Prior to Serial Number 9625-505061) .....	5-11	
STARTER/GENERATOR ASSEMBLY (For Vehicles Serial Number 9625-505061 and Later) .....	5-13	
STARTER/GENERATOR MOUNTING .....	5-15	
BATTERY MOUNTING - GASOLINE VEHICLE .....	5-17	
<b>ENGINE</b>		<b>SECTION 6</b>
FE 290 ENGINE .....	6-3 - 6-13	
<b>FUEL, INTAKE, AND GOVERNOR SYSTEMS</b>		<b>SECTION 7</b>
FUEL SYSTEM .....	7-3	
CARBURETOR ASSEMBLY .....	7-5	
CARBURETOR INSTALLATION .....	7-7	
GOVERNOR AND ACCELERATOR CABLES .....	7-9	
EXPANSION CHAMBER, CHOKE, AND FILTER .....	7-11	
<b>EXHAUST SYSTEM</b>		<b>SECTION 8</b>
EXHAUST SYSTEM .....	8-3	

# CONTENTS

<b>TORQUE CONVERTER</b>		<b>SECTION 9</b>
DRIVE CLUTCH .....		9-3
DRIVEN CLUTCH .....		9-5
<b>TRANSMISSION</b>		<b>SECTION 10</b>
TRANSMISSION .....		10-3 - 10-5
<b>REAR SUSPENSION - GASOLINE VEHICLE</b>		<b>SECTION 11</b>
REAR SUSPENSION - GASOLINE VEHICLE .....		11-3
INNER FRAME - GASOLINE VEHICLE .....		11-5
<b>ELECTRICAL SYSTEM - ELECTRIC VEHICLE</b>		<b>SECTION 12</b>
ELECTRICAL COMPONENTS, FRONT BODY - ELECTRIC VEHICLES .....		12-3
WIRING - V-GLIDE 36 VOLT VEHICLE .....		12-5
FORWARD AND REVERSE SWITCH - V-GLIDE 36 VOLT VEHICLE .....		12-7
WIPER SWITCH - V-GLIDE 36 VOLT VEHICLE .....		12-9
RESISTOR AND BOARD ASSEMBLY - V-GLIDE 36 VOLT VEHICLE .....		12-11
ELECTRICAL COMPONENTS, REAR BODY - V-GLIDE 36 VOLT VEHICLE .....		12-13
WIRING - POWERDRIVE SYSTEM 48 VEHICLE .....		12-15
FORWARD AND REVERSE SWITCH - POWERDRIVE SYSTEM 48 VEHICLE .....		12-17
ELECTRICAL COMPONENTS, REAR BODY - POWERDRIVE SYSTEM 48 VEHICLE .....		12-19 - 12-21
ON-BOARD COMPUTER - POWERDRIVE SYSTEM 48 VEHICLE .....		12-23
CONTINUOUSLY VARIABLE POTENTIOMETER - POWERDRIVE SYSTEM 48 AND POWERDRIVE PLUS....		12-25
WIRING - POWERDRIVE PLUS VEHICLE .....		12-27
ON-BOARD COMPUTER - POWERDRIVE PLUS VEHICLE .....		12-29
FORWARD AND REVERSE SWITCH - POWERDRIVE PLUS VEHICLE .....		12-31
ENERGY DISPLACEMENT MODULE - POWERDRIVE PLUS VEHICLE .....		12-33
ELECTRICAL COMPONENTS, REAR BODY - POWERDRIVE PLUS VEHICLE .....		12-35 - 12-37
<b>BATTERY CHARGER</b>		<b>SECTION 13</b>
ACCU-POWER CHARGER, DOMESTIC - V-GLIDE 36 VOLT VEHICLE .....		13-3
ACCU-POWER CHARGER, EXPORT - V-GLIDE 36 VOLT VEHICLE .....		13-5
ACCU-POWER CHARGER, EXPORT, 100 VOLT - V-GLIDE 36 VOLT VEHICLE .....		13-7
POWERDRIVE CHARGER, DOMESTIC - POWERDRIVE SYSTEM 48 AND POWERDRIVE PLUS .....		13-9
POWERDRIVE CHARGER, EXPORT - POWERDRIVE SYSTEM 48 AND POWERDRIVE PLUS .....		13-11
<b>ELECTRIC MOTOR</b>		<b>SECTION 14</b>
MOTOR - V-GLIDE 36 VOLT VEHICLE .....		14-3
MOTOR - POWERDRIVE SYSTEM 48 VEHICLE .....		14-5
MOTOR - POWERDRIVE PLUS VEHICLE .....		14-7
<b>REAR SUSPENSION - ELECTRIC VEHICLE</b>		<b>SECTION 15</b>
REAR SUSPENSION - ELECTRIC VEHICLES .....		15-3
<b>SAFETY DECALS</b>		<b>SECTION 16</b>
SAFETY DECALS - GASOLINE VEHICLE .....		16-3
SAFETY DECALS - ELECTRIC VEHICLES .....		16-5
<b>MAINTENANCE AND SERVICE TOOLS</b>		<b>SECTION 17</b>
THE LAST SECTION OF THIS MANUAL CONTAINS A LIST OF MAINTENANCE AND SERVICE TOOLS AVAILABLE FROM CLUB CAR.		

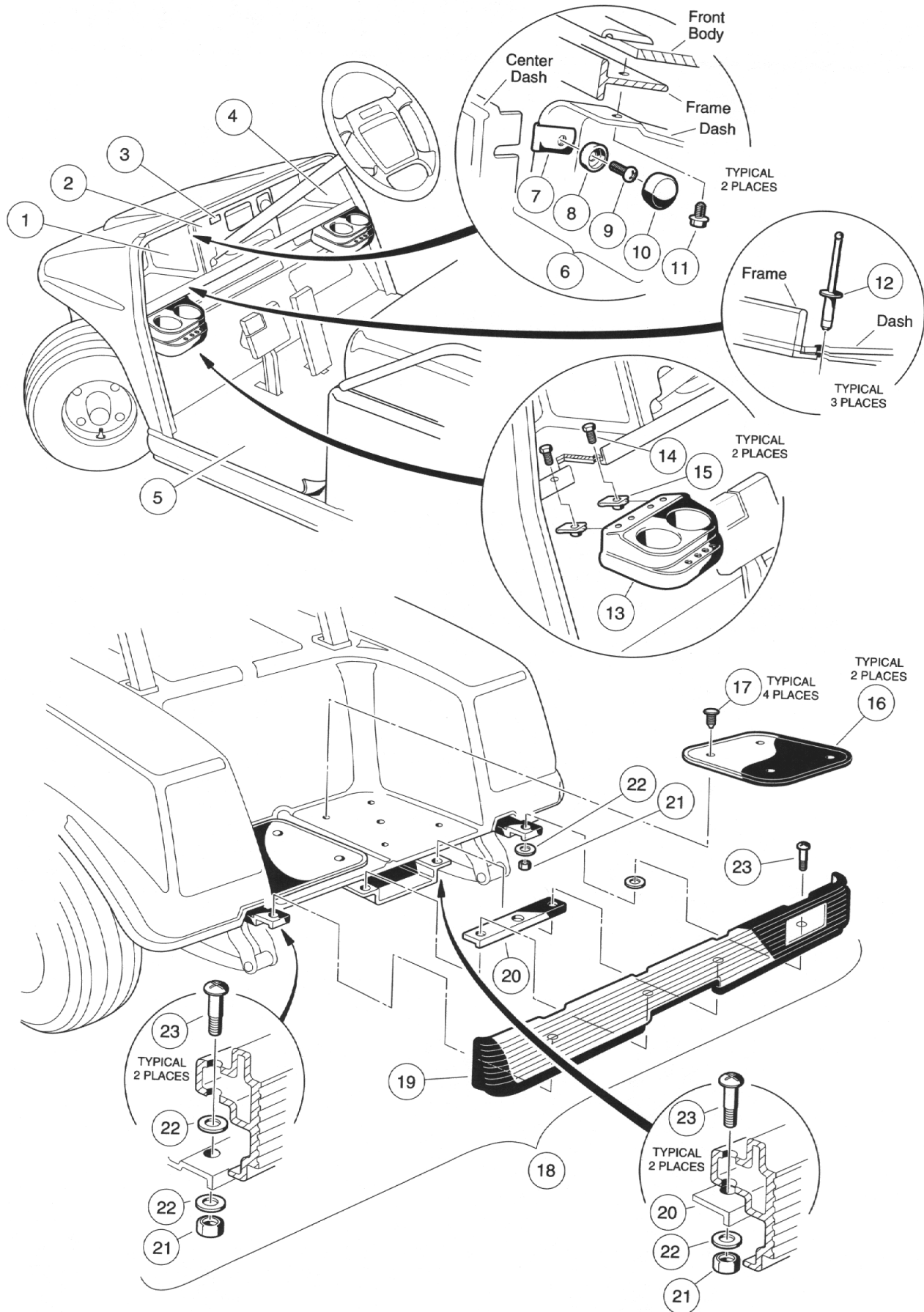
# BODY AND TRIM

---

1

G

E





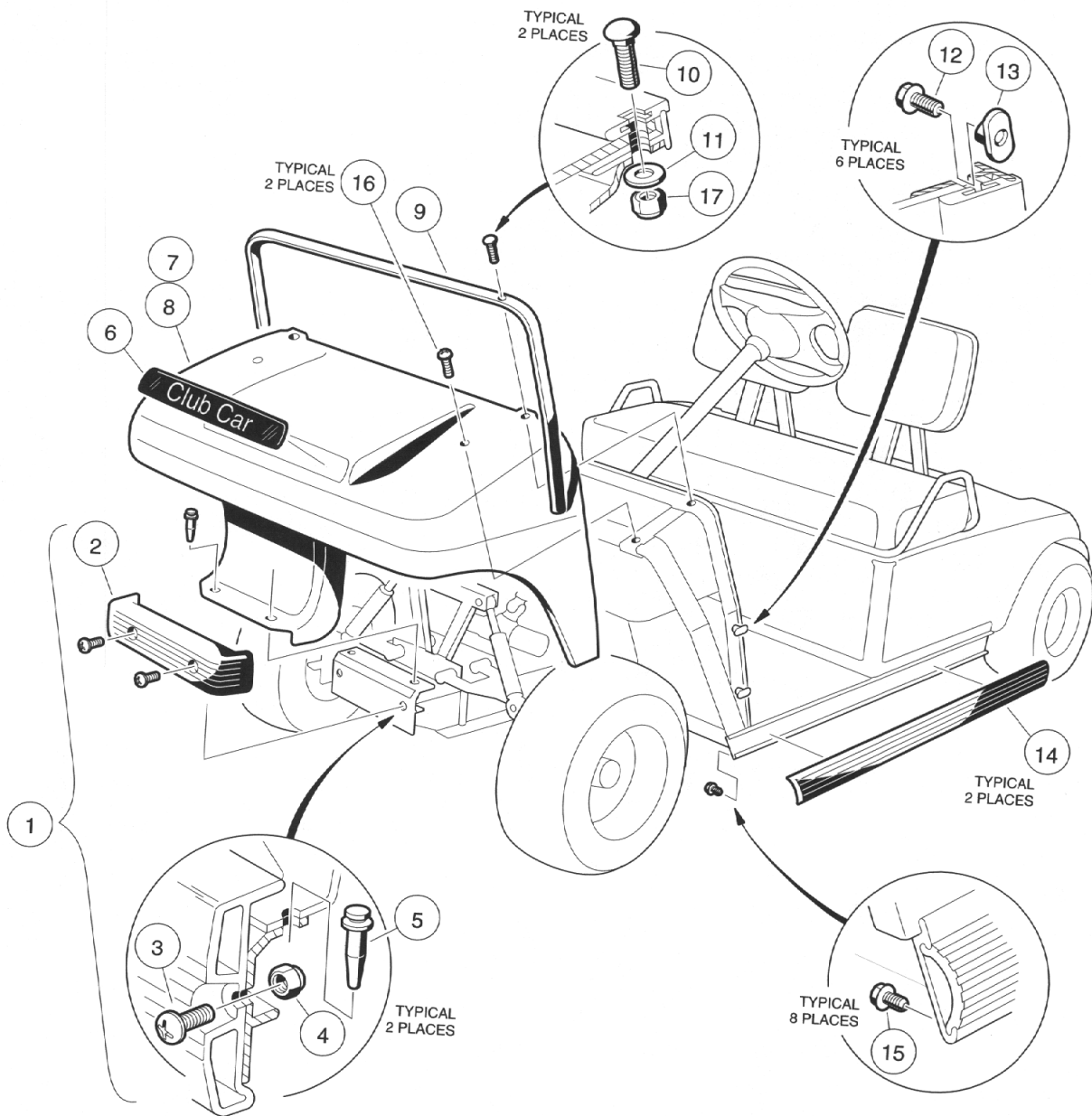
# BODY TRIM

1

G

E

ITEM	PART NO.	DESCRIPTION	QTY GAS	QTY ELEC
		1 2 3 4		
1	1013344	COMPONENT, LEFT DASH, BLACK .....	1	1
2	101660404	PANEL, CENTER DASH, BLACK .....	1	1
3	101802601	PLUG, HOLE (V-GLIDE 36 VOLT VEHICLE ONLY) .....	1	1
4	1013343	COMPONENT, RIGHT DASH, BLACK .....	1	1
5	1015032	MAT, FLOOR .....	2	2
6	1014645	KIT, SNAP WASHER, BLACK (INCLUDES ITEMS 7 - 10) .....	1	1
7	N/A	NUT, SPEED .....	1	1
8	N/A	WASHER, #10 .....	1	1
9	N/A	SCREW, #10 SHEET METAL .....	1	1
10	N/A	COVER, SCREW HEAD .....	2	2
11	1011017	SCREW, FLANGE LOCK .....	3	3
12	7973	RIVET, ALUMINUM POP, 3/16 .....	2	2
13	101708301	KIT, DRINK HOLDER (INCLUDES ITEMS 14 AND 15) .....	2	2
14	7847	BOLT, HEX HEAD, 1/4 - 20 x 3/4 .....	2	2
15	1016952	NUT, "U", 1/4 - 20 .....	2	2
16	1014392	MAT, BAG REST .....	8	8
17	1010434	FASTENER, PLASTIC BARREL .....	1	1
18	1017079	KIT, REAR BUMPER (INCLUDES ITEMS 19 - 23) .....	1	1
19	1016379	BUMPER, REAR .....	1	1
20	1016875	PLATE, MOUNTING, LONG .....	4	4
21	7473	NUT, NYLON LOCK, 5/16 - 18 .....	6	6
22	1011697	WASHER, SPECIAL, 5/16 .....	4	4
23	1016876	BOLT, PHILLIPS TRUSS HEAD SHOULDER, 3/8 - 18 x 2 .....		



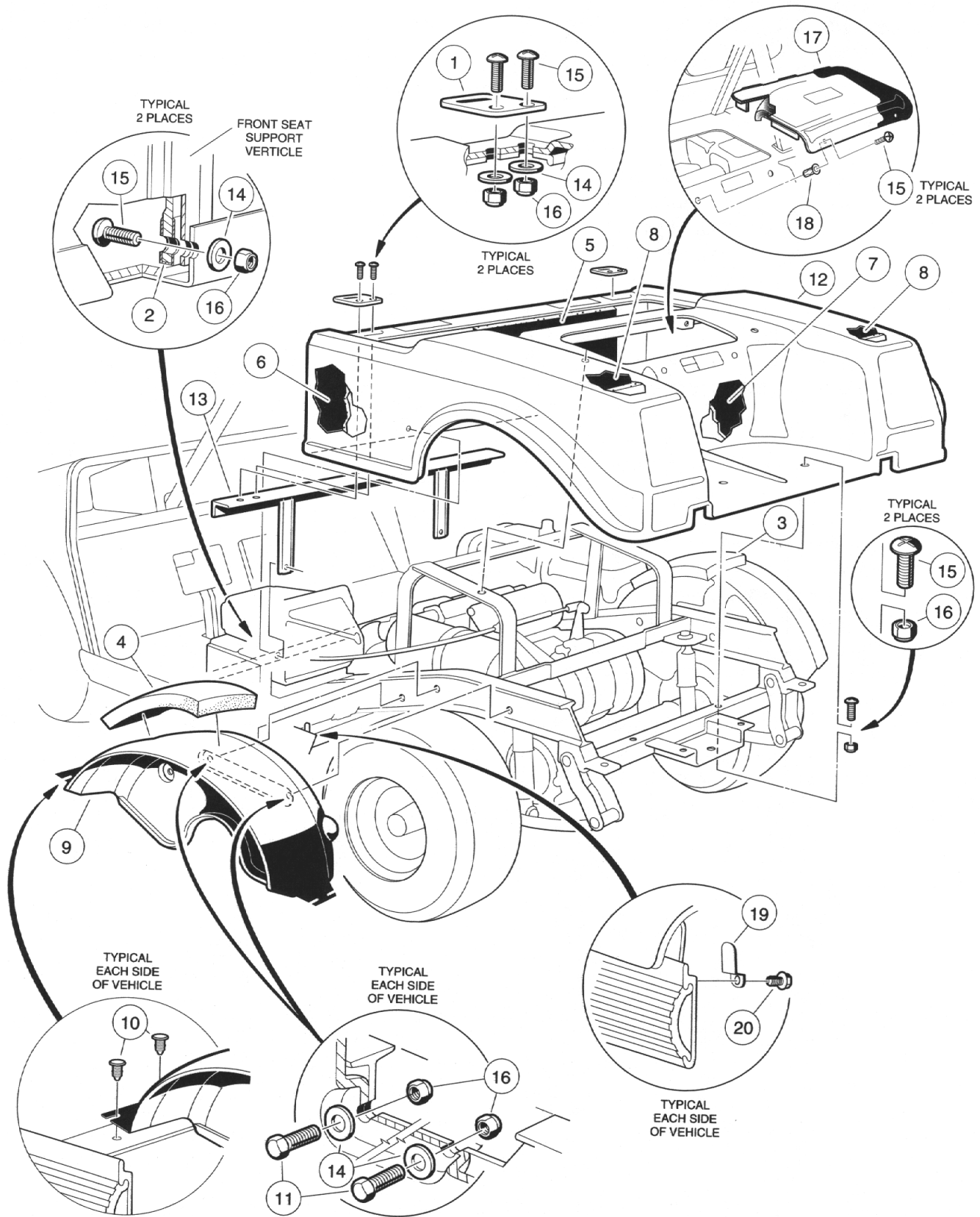
# FRONT BODY

1

G

E

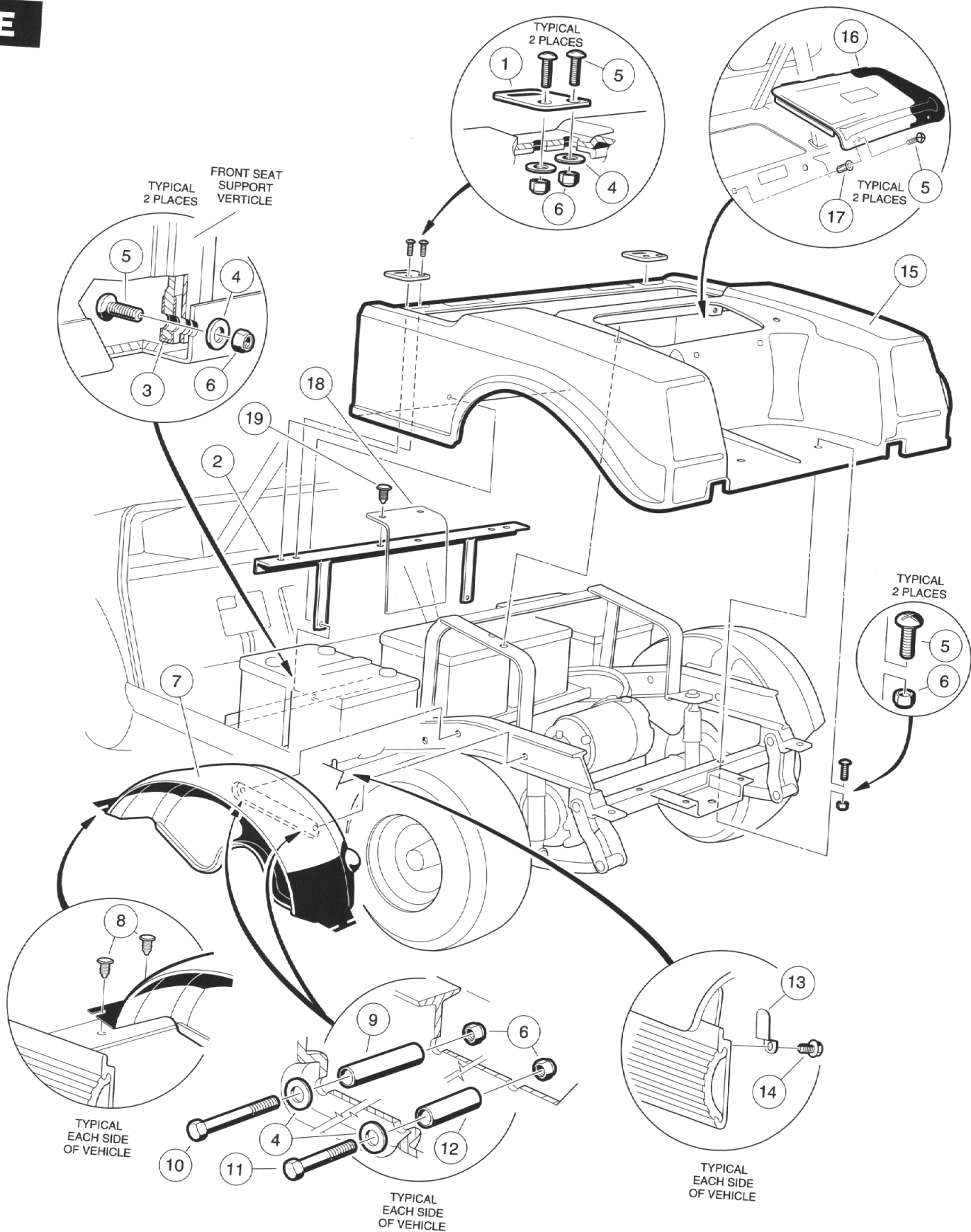
ITEM	PART NO.	DESCRIPTION	QTY GAS	QTY ELEC
		1 2 3 4		
1	1017080	KIT, FRONT BUMPER (INCLUDES ITEMS 2 - 5) .....	1	1
2	1016868	BUMPER, FRONT .....	1	1
3	7251	SCREW, PHILLIPS TRUSS HEAD, 5/16 - 18 x 1 .....	2	2
4	7473	NUT, NYLON LOCK, 5/16 - 18 .....	2	2
5	1016967	RIVET, PUSH TYPE BLIND .....	2	2
6	1014198	NAMEPLATE - GOLD .....	1	1
7	101692501	BODY, FRONT - BEIGE .....	1	1
7	101692502	BODY, FRONT - WHITE .....	1	1
7	101692504	BODY, FRONT - GRAY .....	1	1
7	101692506	BODY, FRONT - RED .....	1	1
7	101692509	BODY, FRONT - DARK BLUE .....	1	1
7	101692510	BODY, FRONT - DARK GREEN .....	1	1
8	101693901	BODY, FRONT WITH HEADLIGHT OPENING - BEIGE .....	1	1
8	101693902	BODY, FRONT WITH HEADLIGHT OPENING - WHITE .....	1	1
8	101693904	BODY, FRONT WITH HEADLIGHT OPENING - GRAY .....	1	1
8	101693906	BODY, FRONT WITH HEADLIGHT OPENING - RED .....	1	1
8	101693908	BODY, FRONT WITH HEADLIGHT OPENING - DARK BLUE .....	1	1
8	101693909	BODY, FRONT WITH HEADLIGHT OPENING - DARK GREEN .....	1	1
9	1011014	TRIM, FRONT BODY .....	1	1
10	1010435	BOLT, CARRIAGE, 5/16 - 18 x 1 .....	2	2
11	1241	WASHER, FLAT, 5/16 .....	2	2
12	1011017	SCREW, FLANGE LOCK .....	6	6
13	1011394	NUT, SLAB BASE "T" (PACKAGE OF 4) .....	1	1
14	1013983	BUMPER, SIDE GUARD TRIM .....	2	2
15	1012047	SCREW, SELF-TAPPING, #8 - 32 x 3/8 .....	8	8
16	7251	SCREW, PHILLIPS TRUSS HEAD, 5/16 - 18 x 1 .....	2	2
17	7473	NUT, NYLON LOCK, 5/16 - 18 .....	2	2



# REAR BODY AND FENDER - GASOLINE VEHICLE

**1**  
**G**  
**E**

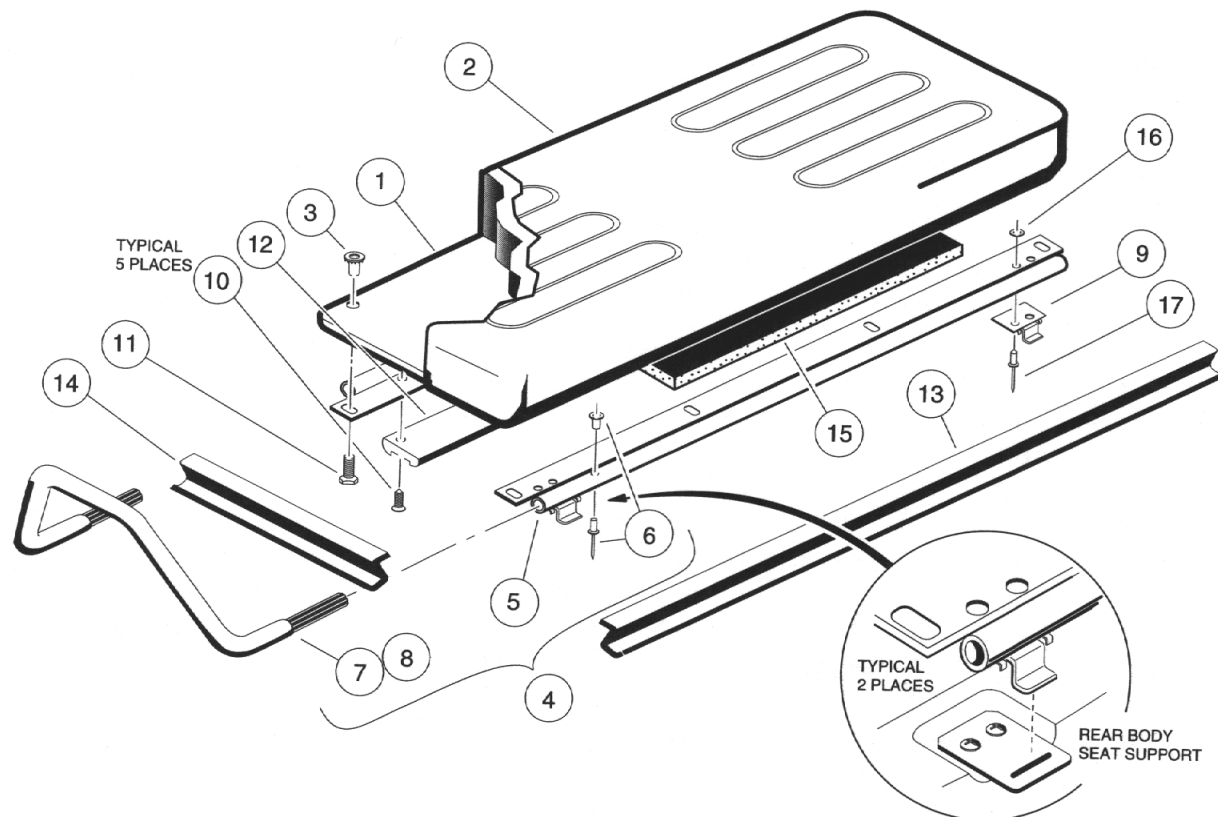
ITEM	PART NO.	DESCRIPTION	QTY GAS	QTY ELEC
		1 2 3 4		
1	1012412	PLATE, BODY HINGE .....	2	
2	101904101	PLATE, BODY KICK .....	1	
3	1015422	INSULATION, SOUND, RIGHT SIDE FENDER - SHORT .....	1	
4	1015421	INSULATION, SOUND, LEFT SIDE FENDER - LONG .....	1	
5	1016963	INSULATION, SOUND, FRONT .....	1	
6	1017113	INSULATION, SOUND, LEFT SIDE BODY .....	1	
7	1015419	INSULATION, SOUND, BAGWELL AREA .....	2	
8	1015420	INSULATION, SOUND, BODY LEFT / RIGHT FENDER .....	2	
9	1017936	FENDER, INNER .....	4	
10	1010434	BARREL, PLASTIC .....	4	
11	0000304	SCREW, HEX HEAD CAP, 1/4 - 20 x 1 .....	1	
12	101692601	BODY - BEIGE .....	1	
12	101692602	BODY - WHITE .....	1	
12	101692604	BODY - GRAY .....	1	
12	101692606	BODY - RED .....	1	
12	101692609	BODY - DARK BLUE .....	1	
12	101692610	BODY - DARK GREEN .....	1	
12	101696208	BODY WITH TAILLIGHT OPENING - BEIGE .....	1	
12	101696209	BODY WITH TAILLIGHT OPENING - WHITE .....	1	
12	101696211	BODY WITH TAILLIGHT OPENING - GRAY .....	1	
12	101696213	BODY WITH TAILLIGHT OPENING - RED .....	1	
12	101696215	BODY WITH TAILLIGHT OPENING - DARK BLUE .....	1	
12	101696216	BODY WITH TAILLIGHT OPENING - DARK GREEN .....	1	
13	1017141	SUPPORT, FRONT BODY .....	10	
14	0000332	WASHER, FLAT, 1/4 .....	10	
15	0008251	SCREW, PHILLIPS HEAD, 1/4 - 20 x 1 .....	12	
16	0008233	NUT, NYLON LOCK, 1/4 - 20 .....	1	
17	101582901	ASSEMBLY, ACCESS DOOR (BEIGE) .....	1	
17	101582902	ASSEMBLY, ACCESS DOOR (BLACK) .....	2	
18	1015525	NUT, BLIND, 1/4 - 20 .....	2	
19	1017748	CLIP, BODY KEEPER .....	2	
20	1012047	SCREW, SELF-TAPPING, #8 - 32 x 3/8 .....	2	



# REAR BODY AND FENDER - ELECTRIC VEHICLE

**1**  
**G**  
**E**

ITEM	PART NO.	DESCRIPTION	QTY GAS	QTY ELEC
		1 2 3 4		
1	1012412	PLATE, BODY HINGE .....		2
2	1017141	SUPPORT, FRONT BODY .....		1
3	101904101	PLATE, BODY KICK .....		1
4	332	WASHER, FLAT, 1/4 .....		10
5	8251	SCREW, PHILLIPS HEAD, 1/4 - 20 x 1 .....		10
6	8233	NUT, NYLON LOCK, 1/4 - 20 .....		12
7	1017936	FENDER, INNER .....		2
8	1010434	BARREL, PLASTIC .....		4
9	1017814	SPACER, 1 7/8 .....		2
10	1012159	BOLT, HEX HEAD, 1/4 - 20 x 2 3/4 .....		2
11	0007479	BOLT, HEX HEAD, 1/4 - 20 x 1 1/4 .....		2
12	1017815	SPACER, 1/2 .....		2
13	1017748	CLIP, BODY KEEPER .....		2
14	1012047	SCREW, SELF-TAPPING, #8 - 32 .....		2
15	101693301	BODY - BEIGE .....		1
15	101693302	BODY - WHITE .....		1
15	101693304	BODY - GRAY .....		1
15	101693306	BODY - RED .....		1
15	101693309	BODY - DARK BLUE .....		1
15	101693310	BODY - DARK GREEN .....		1
15	101696201	BODY WITH TAILLIGHT OPENING - BEIGE .....		1
15	101696202	BODY WITH TAILLIGHT OPENING - WHITE .....		1
15	101696204	BODY WITH TAILLIGHT OPENING - GRAY .....		1
15	101696206	BODY WITH TAILLIGHT OPENING - RED .....		1
15	101696217	BODY WITH TAILLIGHT OPENING - DARK BLUE .....		1
15	101696218	BODY WITH TAILLIGHT OPENING - DARK GREEN .....		1
16	1013032	ASSEMBLY, ACCESS DOOR (BLACK) .....		1
17	1015525	NUT, BLIND, 1/4 - 20 .....		2
18	101896201	KIT, FORWARD AND REVERSE SWITCH COVER (INCLUDES 2 OF ITEM 19) (POWERDRIVE SYSTEM 48 AND POWERDRIVE PLUS VEHICLES) .....		1
19	1010434	BARREL, PLASTIC FASTENER .....		2





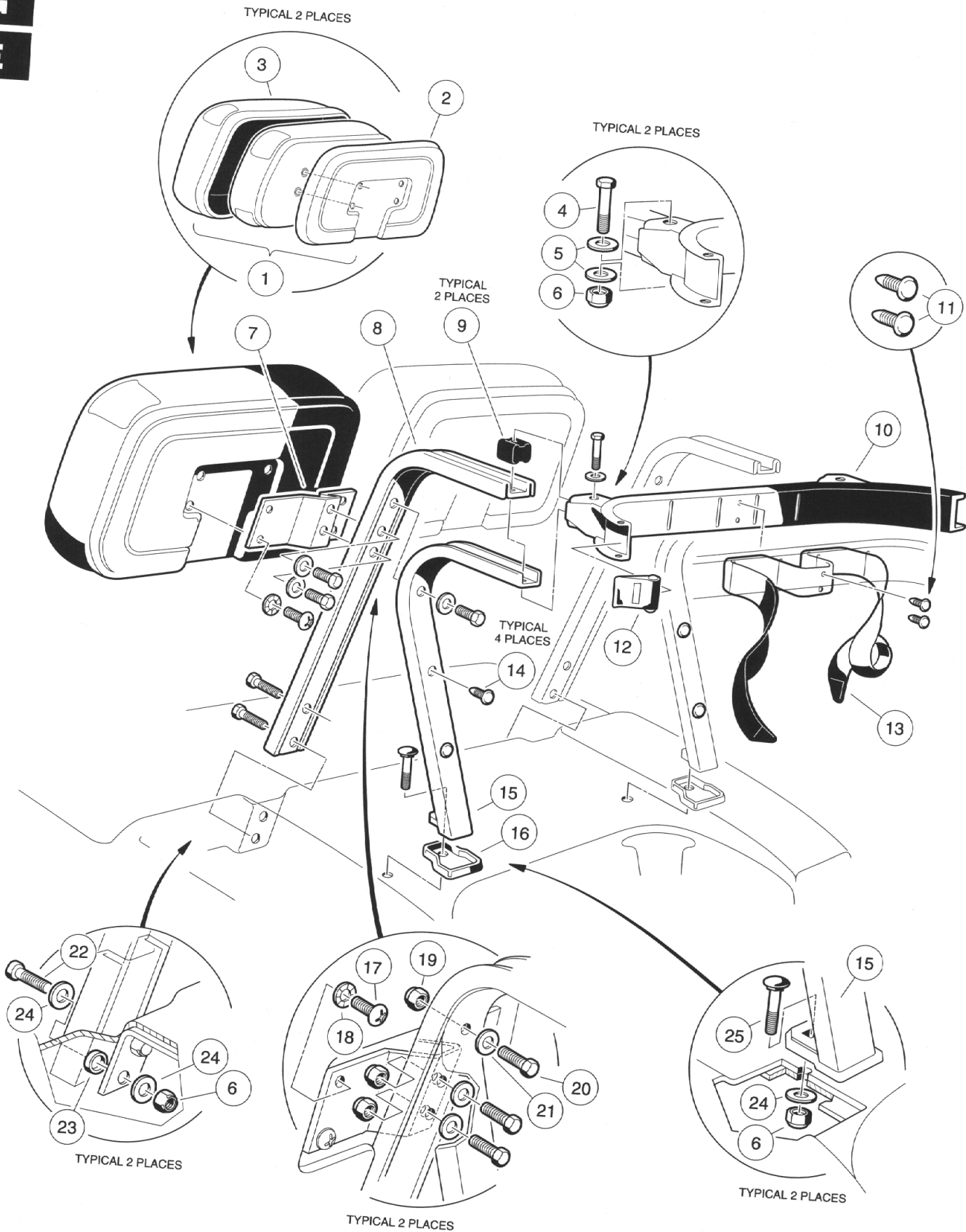
# SEAT BOTTOM AND ARMREST

**1**

**G**

**E**

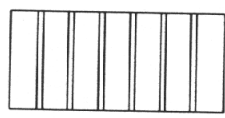
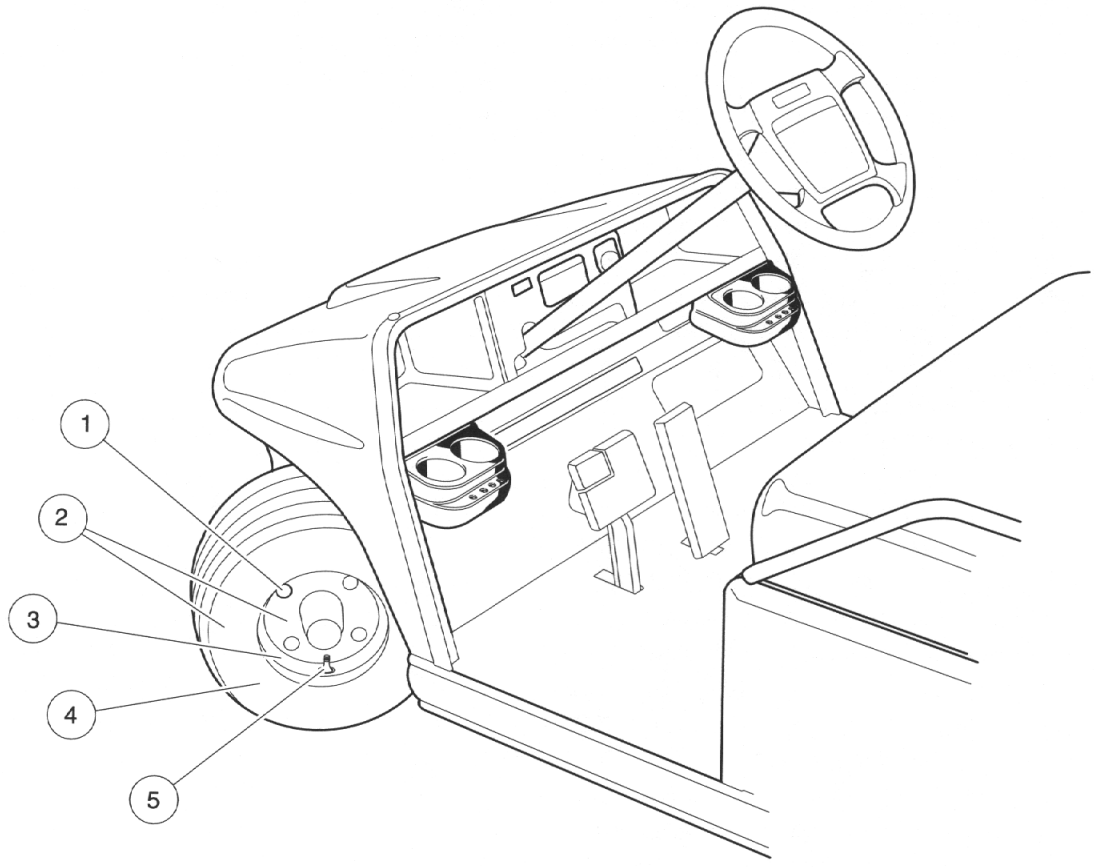
ITEM	PART NO.	DESCRIPTION	QTY	QTY
			GAS	ELEC
		1 2 3 4		
1	101564804	ASSEMBLY, SEAT BOTTOM, BUFF (INCLUDES ITEMS 2 AND 3) .....	1	1
1	101564805	ASSEMBLY, SEAT BOTTOM, WHITE (INCLUDES ITEMS 2 AND 3) .....	1	1
1	101564807	ASSEMBLY, SEAT BOTTOM, GRAY (INCLUDES ITEMS 2 AND 3) .....	1	1
1	101564808	ASSEMBLY, SEAT BOTTOM, BLACK (INCLUDES ITEMS 2 AND 3).....	1	1
2	101562701	COVER, VINYL SEAT BOTTOM, BUFF .....	1	1
2	101562702	COVER, VINYL SEAT BOTTOM, WHITE .....	1	1
2	101562704	COVER, VINYL SEAT BOTTOM, BLACK .....	1	1
2	101562710	COVER, VINYL SEAT BOTTOM, GRAY .....	8	8
3	1010543	INSERT, WOOD .....	1	1
4	1015670	ASSEMBLY, ARMREST, SEAT BOTTOM (INCLUDES ITEMS 5 - 8) .....	2	2
5	1015625	BRACKET, SEAT SUPPORT .....	4	4
6	1012327	RIVET, MATING, 3/16 .....	1	1
7	1011786	ASSEMBLY, ARMREST, LEFT .....	1	1
8	1011780	ASSEMBLY, ARMREST, RIGHT .....	2	2
9	1011652	PLATE, SEAT HINGE, STAINLESS STEEL .....	5	5
10	1017384	SCREW, WASHER HEAD TAP, #12 .....	8	8
11	304	SCREW, HEX HEAD CAP, 1/4 - 20 x 1 .....	1	1
12	1012597	BUMPER, SEAT .....	1	
13	1012657	GASKET, SEAT, LONG (GASOLINE VEHICLE ONLY) .....	2	
14	1012656	GASKET, SEAT, SHORT (GASOLINE VEHICLE ONLY) .....	1	
15	1015417	INSULATION, SOUND (GASOLINE VEHICLE ONLY) .....	4	4
16	101881701	WASHER, FLAT, STAINLESS STEEL, #8 .....	4	4
17	101880901	RIVET, POP, STAINLESS STEEL, 3/16 .....		



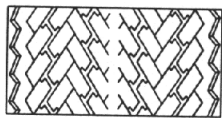
# SEAT BACK AND BAG HOOP

**1**  
**G**  
**E**

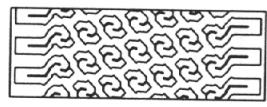
ITEM	PART NO.	DESCRIPTION	QTY GAS	QTY ELEC
		1 2 3 4		
1	101565102	ASSEMBLY, SEAT BACK, WHITE (INCLUDES ITEMS 2 AND 3) .....	2	2
1	101565105	ASSEMBLY, SEAT BACK, BUFF (INCLUDES ITEMS 2 AND 3) .....	2	2
1	101565106	ASSEMBLY, SEAT BACK, GRAY (INCLUDES ITEMS 2 AND 3) .....	2	2
1	101565107	ASSEMBLY, SEAT BACK, BLACK (INCLUDES ITEMS 2 AND 3) .....	2	2
2	1013335	CAP, SEAT BACK, BLACK .....	2	2
3	101562601	COVER, VINYL, SEAT BACK, BUFF .....	2	2
3	101562602	COVER, VINYL, SEAT BACK, WHITE .....	2	2
3	101562604	COVER, VINYL, SEAT BACK, BLACK .....	2	2
3	101562605	COVER, VINYL, SEAT BACK, GRAY .....	2	2
4	8935	SCREW, CAP HEX HEAD, 5/16 - 18 x 2 1/4 .....	2	2
5	1015075	WASHER, FLAT, 5/16 .....	4	4
6	7473	NUT, NYLON LOCK, 5/16 - 18 .....	8	8
7	1017409	MOUNT, SEAT BACK .....	2	2
8	1011708	SUPPORT, SEAT BACK, MAIN .....	2	2
9	1013884	SPACER, BAG HOOP .....	2	2
10	1013935	ASSEMBLY, BAG HOOP (INCLUDES ITEMS 11 - 13) .....	1	1
11	1010434	BARREL, PLASTIC, BLACK .....	2	2
12	1013754	BUCKLE, BAG STRAP .....	2	2
13	1010413	ASSEMBLY, BAG STRAP, LONG .....	1	1
14	1017234	BARREL, FASTENER, GRAY .....	4	4
15	1011710	ASSEMBLY, KNEE BRACE WELDMENT .....	2	2
16	1011706	PAD, MOUNTING, SEAT BACK SUPPORT .....	2	2
17	8248	SCREW, PHILLIPS TRUSS HEAD, 1/4 - 20 x 3/4 .....	8	8
18	8304	WASHER, INTERNAL TOOTH LOCK, 1/4 .....	8	8
19	8233	NUT, NYLON LOCK, 1/4 - 20 .....	6	6
20	7847	SCREW, HEX HEAD, 1/4 - 20 x 3/4 .....	6	6
21	332	WASHER, FLAT, 1/4 .....	8	8
22	1218	SCREW, HEX HEAD CAP, 5/16 - 18 x 1 1/4 .....	4	4
23	1017774	SPACER, BODY .....	4	4
24	1241	WASHER, FLAT, 5/16 .....	6	6
25	7818	BOLT, CARRIAGE, 5/16 - 18 x 1 1/2 .....	2	2



RIB TERRA



POWER RIB

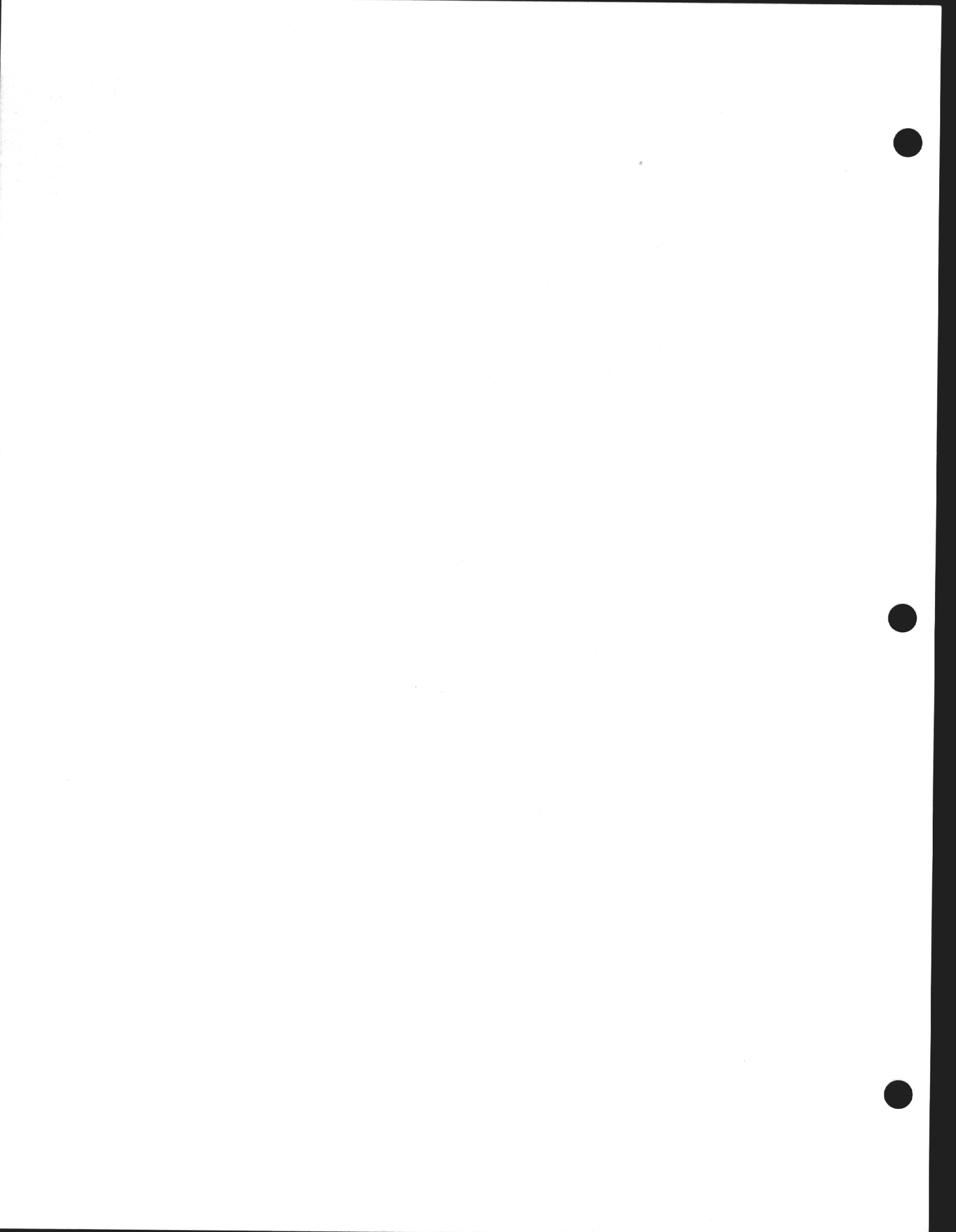


SOFTTRAC

# WHEELS AND TIRES

**1**  
**G**  
**E**

ITEM	PART NO.	DESCRIPTION	QTY GAS	QTY ELEC
		1 2 3 4		
1	1010984	NUT, LUG .....	16	16
2	101570501	ASSEMBLY, TIRE AND WHEEL, BEIGE, RIB TERRA .....	4	4
2	101570502	ASSEMBLY, TIRE AND WHEEL, BEIGE, POWER RIB .....	4	4
2	101570504	ASSEMBLY, TIRE AND WHEEL, BEIGE, WHITE WALL POWER RIB .....	4	4
2	101570507	ASSEMBLY, TIRE AND WHEEL, BEIGE, SOFTRAC, 6 PLY .....	4	4
2	101651401	ASSEMBLY, TIRE AND WHEEL, WHITE, RIB TERRA .....	4	4
2	101651402	ASSEMBLY, TIRE AND WHEEL, WHITE, POWER RIB .....	4	4
2	101651404	ASSEMBLY, TIRE AND WHEEL, WHITE, WHITE WALL POWER RIB .....	4	4
2	101651407	ASSEMBLY, TIRE AND WHEEL, WHITE, SOFTRAC, 6 PLY .....	4	4
3	1015707	WHEEL RIM, BEIGE .....	4	4
3	1014771	WHEEL RIM, WHITE .....	4	4
4	7271	TIRE, UNMOUNTED, RIB TERRA .....	4	4
4	1015672	TIRE, UNMOUNTED, POWER RIB .....	4	4
4	1017693	TIRE, UNMOUNTED, SOFTRAC, 6 PLY .....	4	4
5	7310	STEM, VALVE .....	4	4



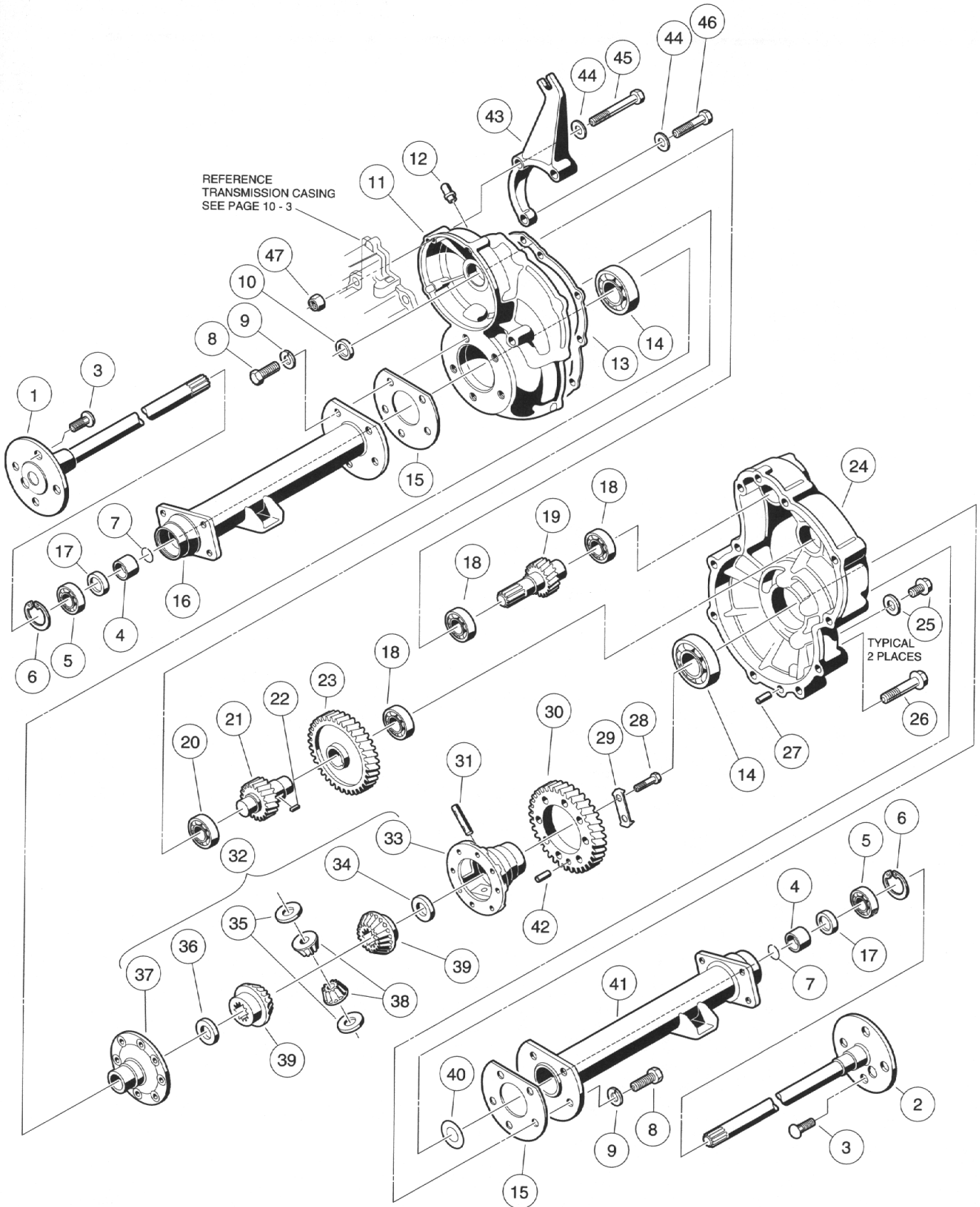
# TRANSAXLE

---

2

G

E





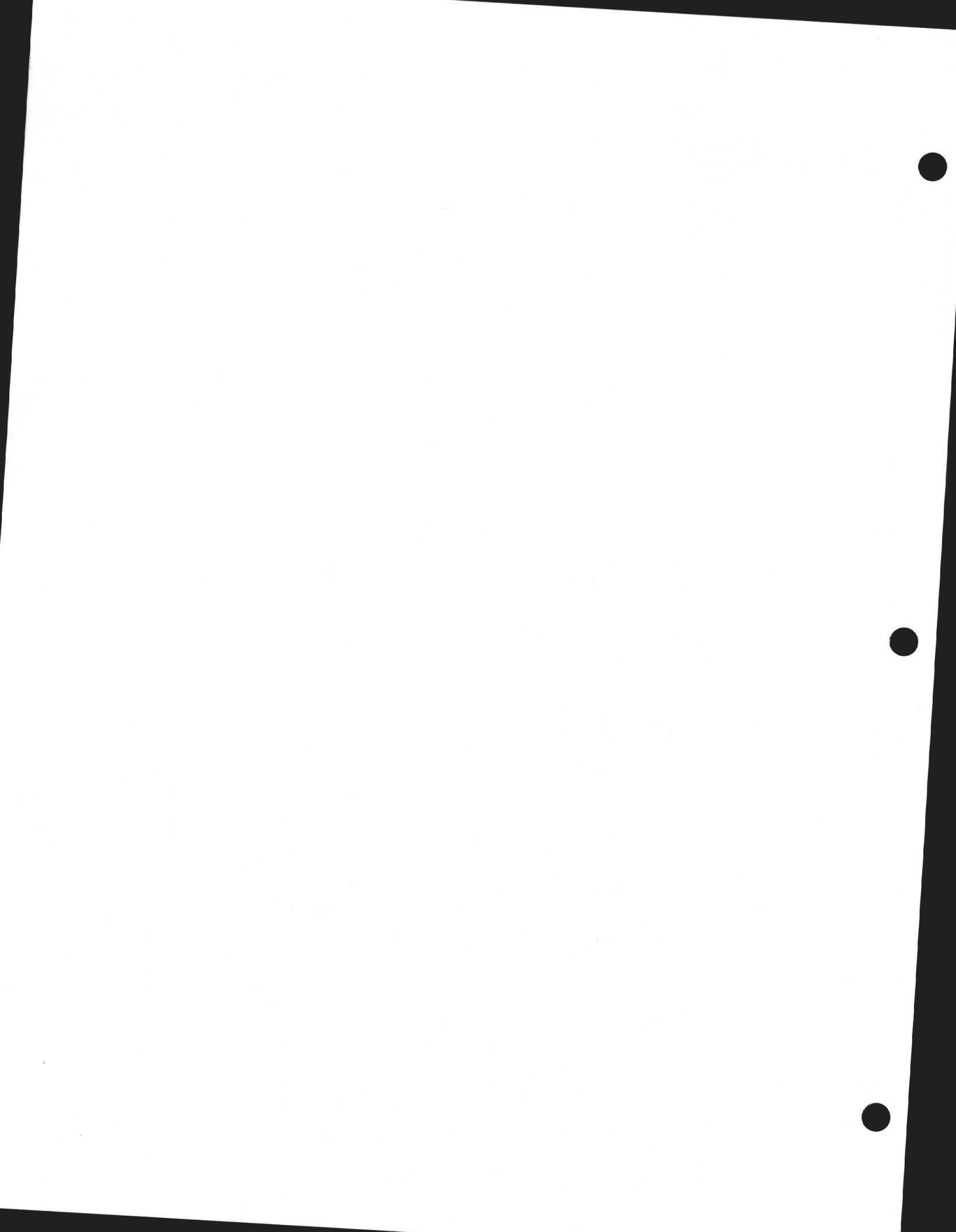
# TRANSAXLE

2

G

E

ITEM	PART NO.	DESCRIPTION	QTY	QTY
			GAS	ELEC
		1 2 3 4		
	101768302	TRANSAXLE (INCLUDES ITEMS 1 - 42) .....	1	1
1	1013785	AXLE ASSEMBLY, RIGHT (INCLUDES ITEMS 3 - 7) .....	1	1
2	1013786	AXLE ASSEMBLY, LEFT (INCLUDES ITEMS 3 - 7) .....	1	1
3	1013787	STUD, LUG .....	8	8
4	1014207	BUSHING, 25 MM I. D. ....	1	1
5	1011291	BEARING, OUTER AXLE TUBE .....	2	2
6	1013792	CIRCLIP, TYPE C .....	2	2
7	1016672	RING, RETAINING .....	2	2
8	1013790	BOLT, M10 x 1.5 x 30MM .....	10	10
9	1013791	WASHER, LOCK, 13/32 .....	10	10
10	1013775	SEAL, INPUT SHAFT OIL .....	1	1
11	1013756	GEAR CASE, RIGHT .....	1	1
12	1012711	BREATHER .....	1	1
13	1013758	GASKET, CASE .....	2	2
14	7330	BEARING, INNER AXLE TUBE .....	2	2
15	1013789	GASKET, AXLE TUBE .....	1	1
16	1017704	ASSEMBLY, AXLE TUBE, RIGHT SIDE .....	2	2
17	1013794	SEAL, AXLE SHAFT OIL .....	3	3
18	7335	BEARING, INPUT GEAR .....	1	1
19	1013764	SHAFT, INPUT .....	1	1
20	7336	BEARING, INTERMEDIATE GEAR .....	1	1
21	1013766	GEAR, INTERMEDIATE, SMALL .....	1	1
22	1013780	KEY, SUNK .....	1	1
23	1013765	GEAR, INTERMEDIATE, LARGE .....	1	1
24	1013757	GEAR CASE, LEFT .....	2	2
25	1013759	PLUG, FILL, WITH GASKET .....	10	10
26	1013763	BOLT, M6 x 1 x 50MM .....	2	2
27	1012710	PIN, DOWEL .....	8	8
28	1013779	BOLT, M8 x 1.25 x 37MM .....	4	4
29	1013782	PLATE, LOCK .....	1	1
30	1013767	GEAR, OUTPUT .....	1	1
31	1013772	PIN, DIFFERENTIAL .....	1	1
32	101910501	KIT, DIFFERENTIAL GEAR CASE (INCLUDES ITEMS 33 - 37) (USE WHOLE KIT AS RECEIVED. SOME KITS DO NOT CONTAIN ITEM 34) .....	1	1
33	1013768	GEAR CASE, DIFFERENTIAL (LEFT) .....	1	1
34	1013773	PLATE, THRUST (DIFFERENTIAL GEAR) (WHEN REPLACING THRUST PLATES ONLY, REPLACE PER ORIGINAL ASSEMBLY) .....	2	2
35	1013774	PLATE, THRUST (IDLER GEAR) .....	1	1
36	1013773	PLATE, THRUST (DIFFERENTIAL GEAR) .....	1	1
37	1013769	GEAR CASE, DIFFERENTIAL (RIGHT) .....	2	2
38	1013770	GEAR, DIFFERENTIAL IDLER .....	2	2
39	1013771	GEAR, DIFFERENTIAL .....	1	1
40	1013781	SHIM .....	1	1
41	1017703	ASSEMBLY, AXLE TUBE, LEFT SIDE .....	1	1
42	1014193	PIN, DOWEL .....	1	1
43	1013866	KIT, TRANSMISSION CABLE SUPPORT BRACKET (INCLUDES 44 - 47) .....	6	6
44	332	WASHER, FLAT, 1/4 .....	2	2
45	1013872	SCREW, HEX HEAD CAP, 1/4 - 20 x 4 .....	1	1
46	1012462	SCREW, HEX HEAD CAP, 1/4 - 20 x 3 1/2 .....	3	3
47	8233	NUT, NYLON LOCK, 1/4 - 20 .....		



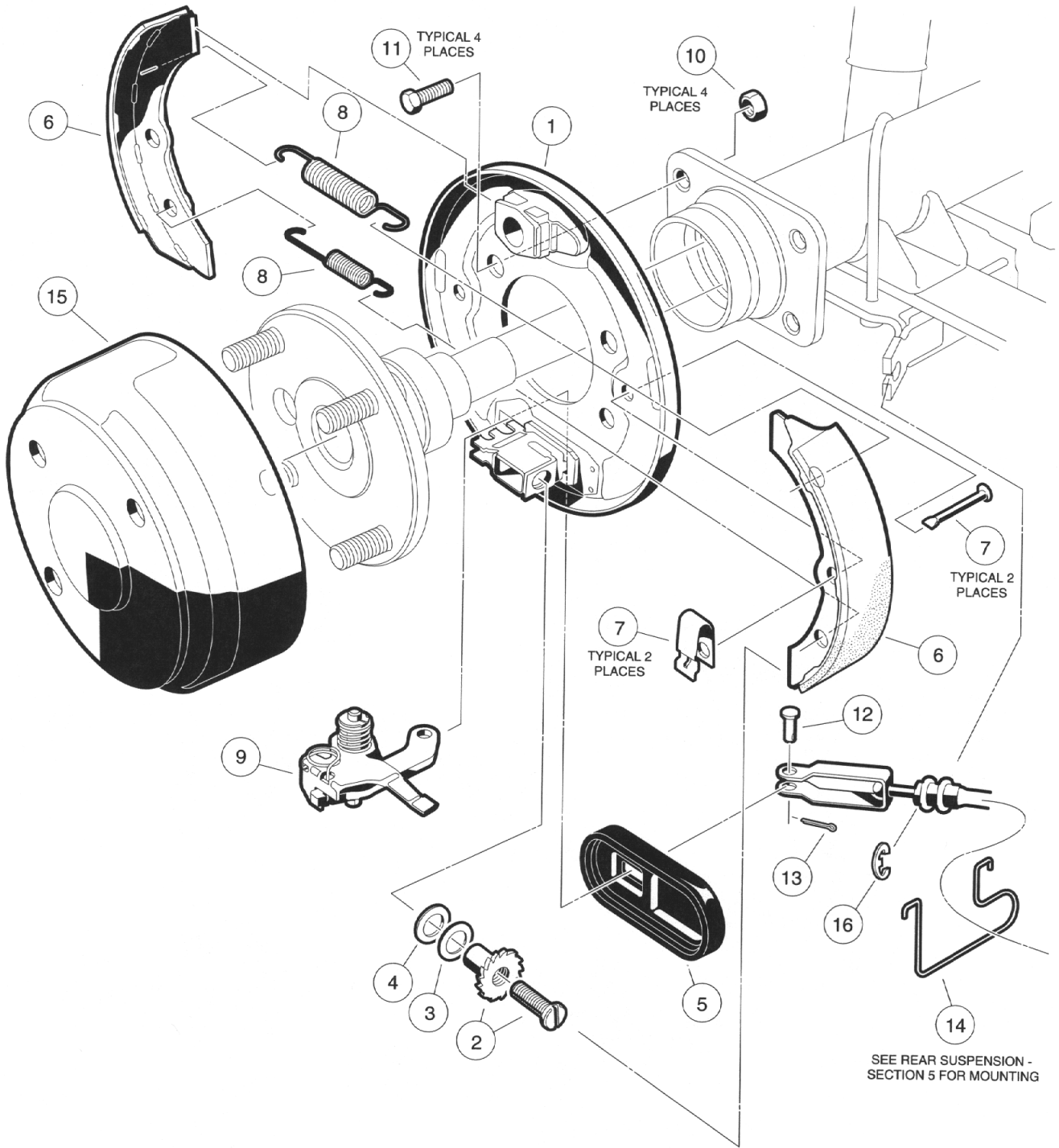
# BRAKES, PEDAL, AND CABLE ASSEMBLIES

---

**3**

**G**

**E**



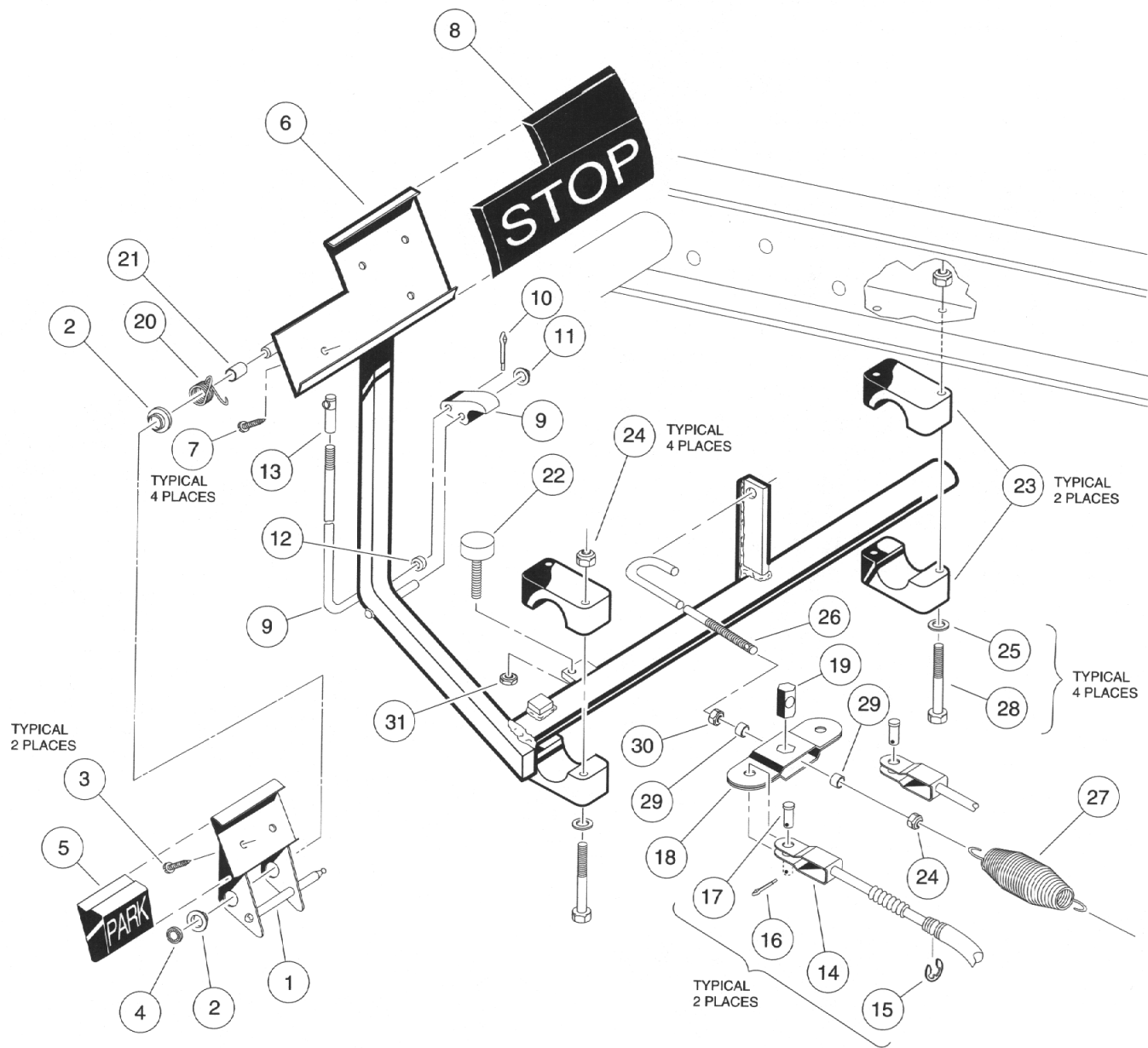
# BRAKE ASSEMBLY

3

G

E

ITEM	PART NO.	DESCRIPTION	QTY GAS	QTY ELEC
		1 2 3 4		
	101823301	CLUSTER, RIGHT BRAKE (INCLUDES ITEMS 1 - 9) .....	1	1
	101823302	CLUSTER, LEFT BRAKE (INCLUDES ITEMS 1 - 9) .....	1	1
1	101824001	ASSEMBLY, BACKING PLATE, RIGHT (INCLUDES ITEMS 2, 3 AND 4) .....	1	1
1	101824002	ASSEMBLY, BACKING PLATE, LEFT (INCLUDES ITEMS 2, 3 AND 4) .....	1	1
2	101816501	MECHANISM, ADJUSTING, RIGHT .....	1	1
2	101816502	MECHANISM, ADJUSTING, LEFT .....	1	1
3	101823901	WASHER .....	1	1
4	101823801	WASHER, PLATE .....	1	1
5	1010850	COVER, DUST .....	1	1
6	101823201	PACKAGE, BRAKE SHOE (FOUR PIECES) .....	1	1
7	1011466	KIT, SHOE RETAINER (FOUR PIECES) .....	1	1
8	101816301	PACKAGE, BRAKE SPRING (FOUR PIECES) .....	1	1
9	101815501	ASSEMBLY, LEVER, RIGHT .....	1	1
9	101815502	ASSEMBLY, LEVER, LEFT .....	1	1
10	1013924	NUT, HEX CONE, 5/16 - 24 .....	8	8
11	1014153	BOLT, BRAKE CLUSTER MOUNTING .....	8	8
12	1010829	PIN, CLEVIS, 5/16 .....	2	2
13	1035	PIN, COTTER, 3/32 x 1 .....	2	2
14	1013207	HANGER, BRAKE CABLE .....	2	2
15	101791101	DRUM, BRAKE .....	2	2
16	1011779	CLIP, "E", 1/2 .....	2	2



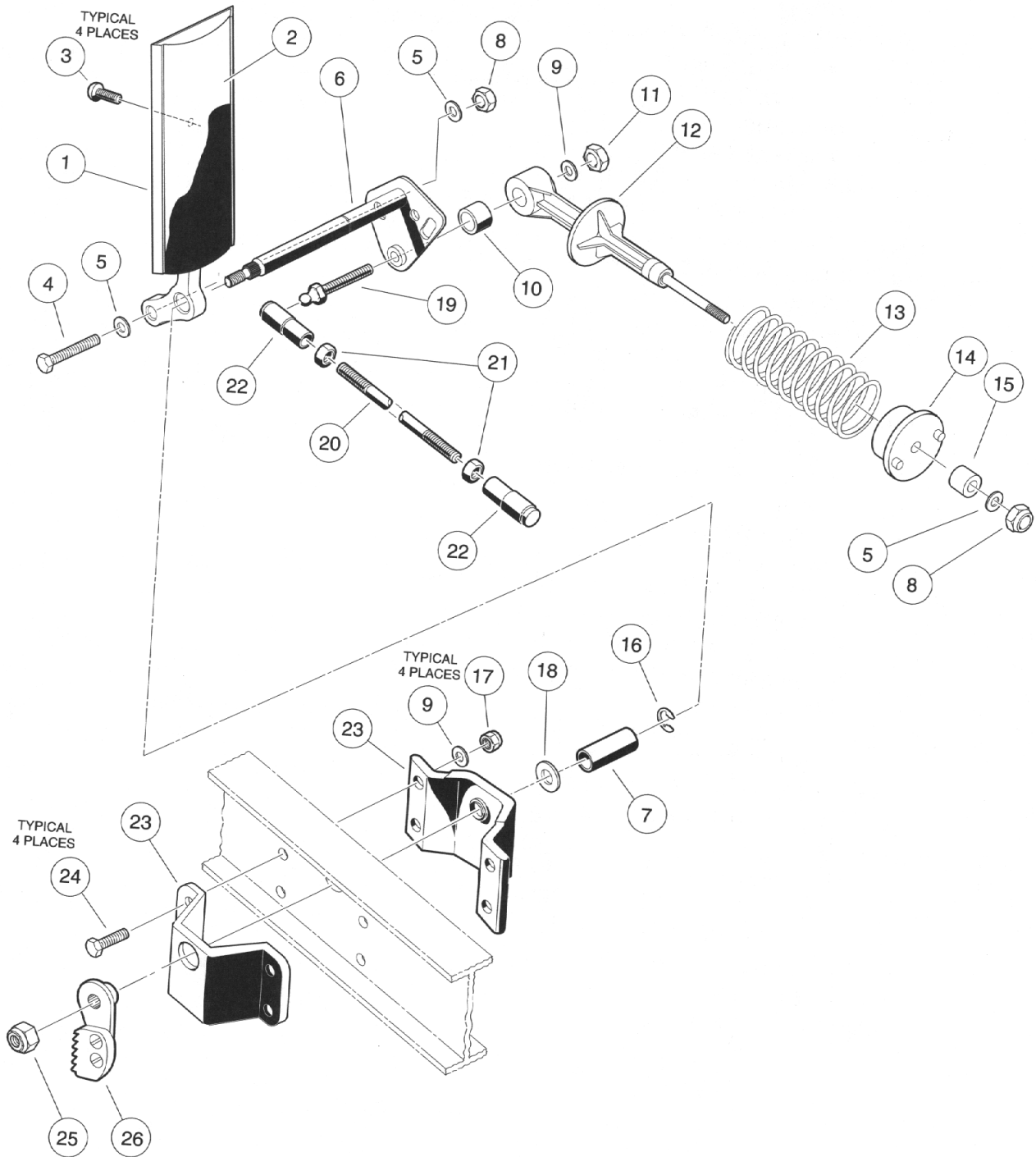
# BRAKE PEDAL AND CABLE ASSEMBLY

**3**

**G**

**E**

ITEM	PART NO.	DESCRIPTION	QTY GAS	QTY ELEC
		1 2 3 4		
1	1011418	KIT, PARK BRAKE PEDAL (INCLUDES ITEMS 2 - 5) .....	1	1
2	1032	BUSHING, NYLON .....	2	2
3	7716	SCREW, SLOTTED HEX WASHER HEAD, #10 - 16 x 1/2 .....	2	2
4	1013876	NUT, PUSH, 3/8 .....	1	1
5	1013870	PAD, PARK BRAKE .....	1	1
6	1011406	KIT, BRAKE PEDAL (INCLUDES ITEMS 7 AND 8) .....	1	1
7	7716	SCREW, SLOTTED HEX WASHER HEAD, #10 - 16 x 1/2 .....	4	4
8	1013869	PAD, BRAKE PEDAL .....	1	1
	101187702	KIT, PARK BRAKE LATCH (INCLUDES ITEMS 9 - 13, AND ITEM 26 ON PAGE 3-7) .....	1	1
9	N/A	ROD AND PAWL .....	1	1
10	1017029	PIN, COTTER, 7/64 x 1/2 .....	1	1
11	1010877	NUT, PUSH .....	1	1
12	1010805	SLEEVE, PARK BRAKE ROD .....	1	1
13	1010932	JOINT, BALL, 1/4 - 28 .....	2	2
14	1011403	KIT, BRAKE CABLE (INCLUDES ITEMS 15 - 17) .....	2	2
15	1011779	CLIP, "E", 1/2 .....	2	2
16	1035	PIN, COTTER, 3/32 x 1 .....	2	2
17	1010829	PIN, CLEVIS, 5/16 .....	1	1
18	1017211	KIT, EQUALIZER AND PIVOT LIMITER (INCLUDES ITEM 19) .....	1	1
19	N/A	PIN, EQUALIZER PIVOT .....	1	1
20	1010933	SPRING, PARK BRAKE TORSION .....	1	1
21	1010927	SPACER, PARK BRAKE .....	1	1
22	1010878	STOP, BRAKE .....		
23	1011402	PACKAGE, BRAKE MOUNTING BLOCK (CONTAINS UPPER AND LOWER FOR LEFT AND RIGHT SIDES) .....	1	1
24	7473	NUT, NYLON LOCK, 5/16 - 18 .....	5	5
25	1241	WASHER, FLAT, 5/16 .....	4	4
26	1010808	ROD, EQUALIZER .....	1	1
27	1013532	SPRING, BRAKE RETURN (GASOLINE VEHICLE) .....		
27	1013531	SPRING, BRAKE RETURN (ELECTRIC VEHICLE) .....	4	4
28	1010921	SCREW, HEX HEAD CAP, 5/16 - 18 x 2 1/2 .....	2	2
29	101865301	SPACER, EQUALIZER .....	1	1
30	1242	NUT, HEX, 5/16 - 18 .....	1	1
31	1028	NUT, HEX, 1/4 - 20 .....		





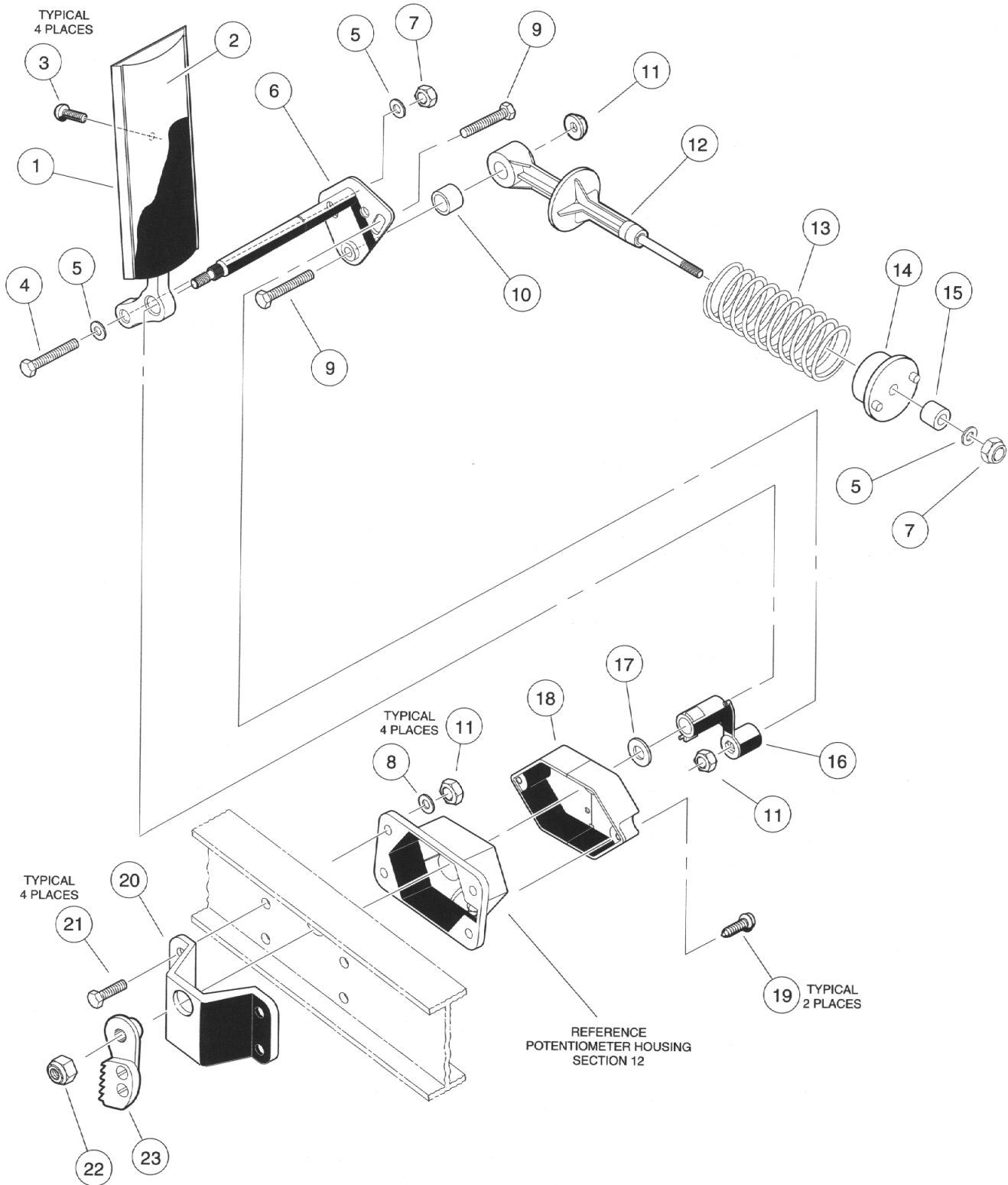
# ACCELERATOR PEDAL ASSEMBLY GASOLINE AND V-GLIDE 36 VOLT VEHICLES

**3**

**G**

**E**

ITEM	PART NO.	DESCRIPTION	QTY GAS	QTY ELEC
		1 2 3 4		
1	1017696	SUB-ASSEMBLY, ACCELERATOR PEDAL (INCLUDES ITEM 2 AND 3) .....	1	1
2	1013871	PAD, PEDAL .....	1	1
3	7716	SCREW, SLOTTED HEX WASHER HEAD, #10 - 16 x 1/2 .....	4	4
4	1218	SCREW, HEX CAP, 5/16 - 18 x 1 1/4 .....	1	1
5	1241	WASHER, FLAT, 5/16 .....	3	3
6	102026001	KIT, ACCELERATOR PIVOT ROD (INCLUDES ITEM 7) .....	1	1
7	1011700	SPACER .....	1	1
8	7473	NUT, NYLON LOCK, 5/16 - 18 .....	2	2
9	1014007	WASHER, FLAT, 1/4 .....	5	5
10	1017424	BEARING, PIVOT SUPPORT .....	1	1
11	8717	NUT, NYLON LOCK, 1/4 - 28 .....	1	1
12	101817401	RETAINER, SPRING .....	1	1
13	101790201	SPRING, RETURN .....	1	1
14	1017378	CUP, SPRING .....	1	1
15	1017380	BUMPER, RETURN SPRING .....	1	1
16	101826001	RING, CRESCENT RETAINING (FOR VEHICLES PRIOR TO SERIAL NO. 9633-517738) .....	1	1
17	8233	NUT, NYLON LOCK, 1/4 - 20 .....	4	4
18	101804201	WASHER, PLASTIC, 1/2 (FOR VEHICLES PRIOR TO SERIAL NO. 9633-517738) .....	1	1
19	101818801	STUD, BALL .....	1	1
20	101871901	ASSEMBLY, ACCELERATOR ROD (V-GLIDE 36 VOLT VEHICLE ONLY) (INCLUDES ITEMS 21 AND 22) .....		1
20	1016168	ASSEMBLY, ACCELERATOR ROD (GASOLINE VEHICLE ONLY) (INCLUDES ITEMS 21 AND 22) .....	1	
21	1011084	NUT, UNF HEX JAM, 1/4 - 28 .....	2	2
22	1011734	JOINT, SPRING-LOADED BALL .....	2	2
23	1011694	SUPPORT, ACCELERATOR PIVOT ROD .....	2	2
24	101861901	SCREW, HEX CAP, 1/4 - 20 x 1 1/8 .....	4	4
25	8754	NUT, NYLON LOCK, 3/8 x 16 .....	1	1
	101187702	KIT, PARK BRAKE LATCH (INCLUDES ITEM 26, AND ITEMS 9 - 13 ON PAGE 3-5)		
26	N/A	RATCHET, PARK BRAKE .....	1	1



# ACCELERATOR PEDAL ASSEMBLY POWERDRIVE SYSTEM 48 AND POWERDRIVE PLUS

**3**  
**G**  
**E**

ITEM	PART NO.	DESCRIPTION	QTY GAS	QTY ELEC
		1 2 3 4		
1	1017696	SUB-ASSEMBLY, ACCELERATOR PEDAL (INCLUDES ITEM 2 AND 3) .....		1
2	1013871	PAD, PEDAL .....		1
3	7716	SCREW, SLOTTED HEX WASHER HEAD, #10 - 16 x 1/2 .....		4
4	1218	SCREW, HEX CAP, 5/16 - 18 x 1 1/4 .....		1
5	1241	WASHER, FLAT, 5/16 .....		3
6	1017325	ASSEMBLY, ACCELERATOR PIVOT ROD .....		1
7	7473	NUT, NYLON LOCK, 5/16 - 18 .....		2
8	332	WASHER, FLAT, 1/4 .....		4
9	101862001	SCREW, HEX HEAD CAP, 1/4 - 20 x 1 3/8 .....		2
10	1017424	BEARING, PIVOT SUPPORT .....		1
11	1015661	NUT, FLANGED HEAD LOCK, 1/4 - 20 .....		6
12	101817401	RETAINER, SPRING .....		1
13	101796201	SPRING, RETURN .....		1
14	1017378	CUP, SPRING .....		1
15	1017380	BUMPER, RETURN SPRING .....		1
16	1017400	LEVER, ACTUATOR .....		1
17	101804201	WASHER, PLASTIC, 1/2 .....		1
18	1017743	COVER, ACCELERATOR .....		1
19	101804301	SCREW, HI-LO HEX HEAD, #8 - 18 x 1/2 .....		2
20	1011694	SUPPORT, ACCELERATOR PIVOT ROD .....		1
21	101861901	SCREW, HEX CAP, 1/4 - 20 x 1 1/8 .....		4
22	8754	NUT, NYLON LOCK, 3/8 x 16 .....		1
	101187702	KIT, PARK BRAKE LATCH (INCLUDES ITEM 23, AND ITEMS 9 - 13 ON PAGE 3-5)		
23	N/A	RATCHET, PARK BRAKE .....		1

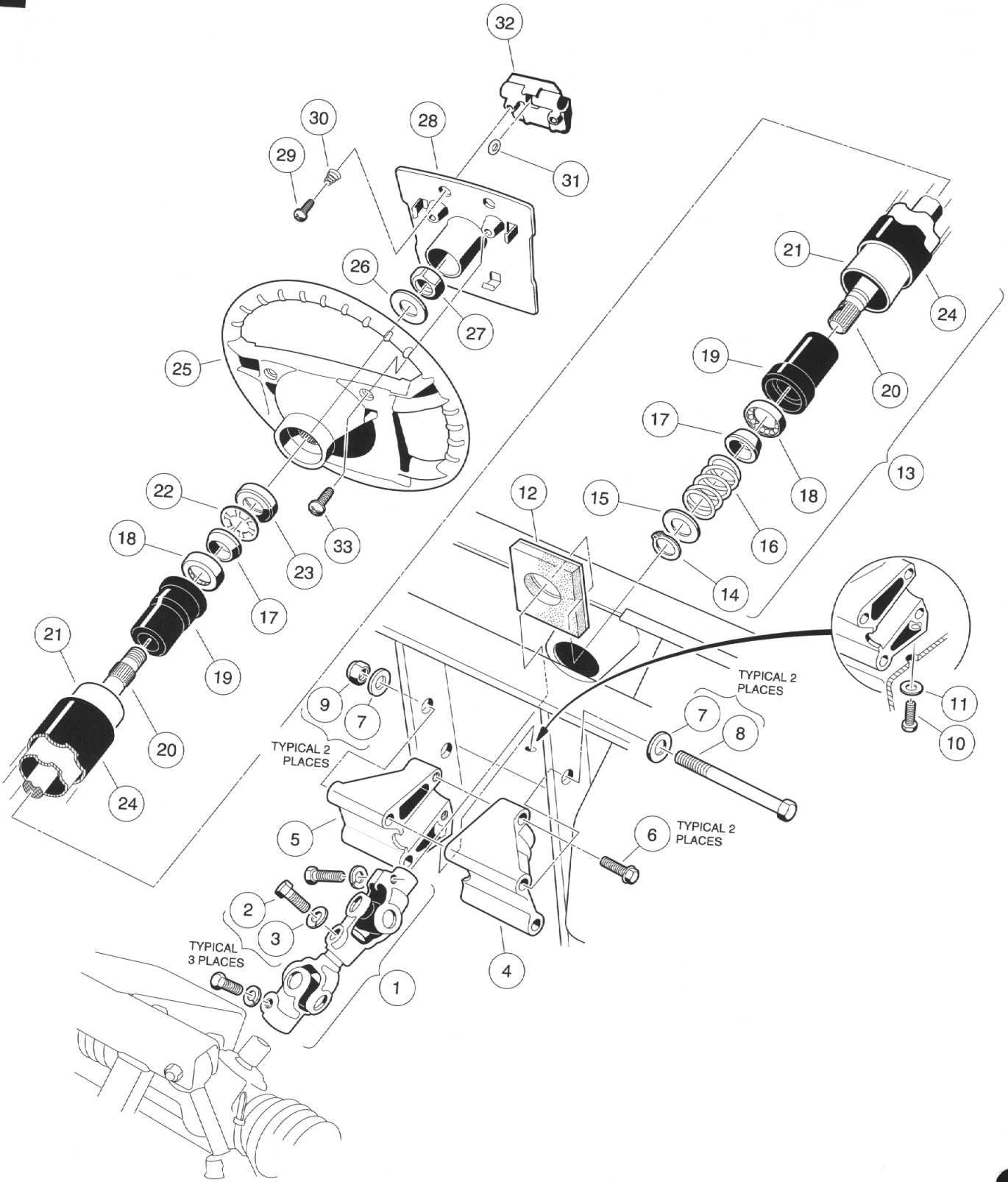


# STEERING AND SUSPENSION

4

G

E



# STEERING COLUMN

4

G

E

ITEM	PART NO.	DESCRIPTION	QTY GAS	QTY ELEC
		1 2 3 4		
1	1013861	JOINT, COMPOUND STEERING (INCLUDES ITEMS 2 AND 3) .....	1	1
2	1017226	SCREW, HEX HEAD CAP, M8 x 1.25 x 30MM .....	3	3
3	7174	WASHER, LOCK, 5/16 .....	3	3
4	1016185	MOUNT, STEERING COLUMN, LEFT HAND .....	1	1
5	1016184	MOUNT, STEERING COLUMN, RIGHT HAND .....	1	1
6	1016269	SCREW, HEX WASHER HEAD THREAD FORMING, 5/16 - 18 x 2 .....	2	2
7	334	WASHER, FLAT, 3/8 .....	4	4
8	1016183	SCREW, HEX HEAD CAP, 3/8 - 16 x 6 3/4 .....	2	2
9	8754	NUT, NYLON LOCK, 3/8 - 16 .....	2	2
10	1014288	SCREW, HEX WASHER HEAD THREAD FORMING, 5/16 - 18 x 3/4 .....	1	1
11	1011697	WASHER, FLAT, 5/16 .....	1	1
12	1012499	BOOT, STEERING COLUMN .....	1	1
13	1016181	ASSEMBLY, STEERING COLUMN (INCLUDES ITEMS 14 - 23) .....	1	1
14	1012605	RING, RETAINING .....	1	1
15	1012604	WASHER, STEEL, 5/8 .....	1	1
16	1014217	SPRING, COMPRESSION .....	1	1
17	1014125	WEDGE .....	2	2
18	1014213	ASSEMBLY, BEARING .....	2	2
19	1014126	SEAT, BEARING .....	2	2
20	1015545	SHAFT, STEERING COLUMN .....	1	1
21	1016622	COLUMN, ALUMINUM STEERING .....	1	1
22	1014214	RING, RETAINING .....	1	1
23	1014211	SEAL, BEARING .....	1	1
24	1016263	COVER, STEERING COLUMN .....	1	1
25	1016156	WHEEL, STEERING .....	1	1
26	1012604	WASHER, STEEL, 5/8 .....	1	1
27	1017273	NUT, NYLON LOCK, 5/8 - 18 .....	1	1
28	1016219	ASSEMBLY, SCORECARD PLATE (INCLUDES ITEMS 29 - 32) .....	1	1
29	1012565	SCREW, ROUND HEAD, #12 - 14 x 1 .....	2	2
30	1012566	SPRING, TAPERED COMPRESSION .....	2	2
31	1016214	GRIP, PENCIL .....	2	2
32	1016154	CLIP, SCORE CARD .....	1	1
33	1010715	SCREW, PHILLIPS, #10 - 14 x 3/8 .....	2	2





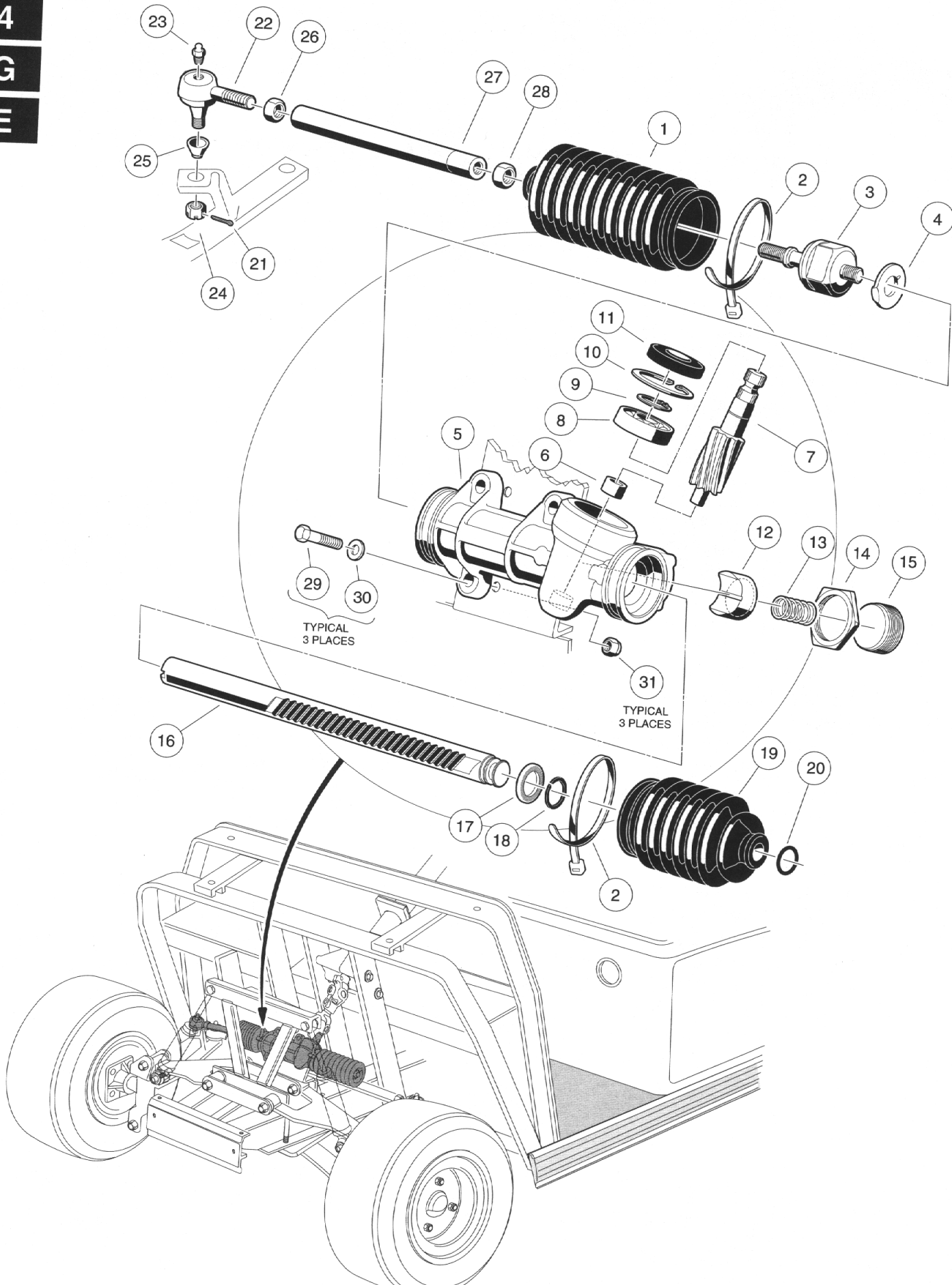
# STEERING GEAR ASSEMBLY

4

G

E

ITEM	PART NO.	DESCRIPTION	QTY GAS	QTY ELEC
		1 2 3 4		
		<b>FOR GASOLINE VEHICLES PRIOR TO SERIAL NUMBER AG9633-517735, AND ELECTRIC VEHICLES PRIOR TO SERIAL NUMBER A9640-533437.</b>		
		ASSEMBLY, STEERING GEAR BOX (INCLUDES ITEMS 1 - 22) .....	1	1
1	1012452	KIT, STOPPER BOLT (INCLUDES ITEMS 2 AND 3) .....	1	1
2	N/A	RING, SNAP .....	1	1
3	N/A	WASHER, END .....	2	2
4	1013040	WASHER, LOCK, TIE ROD .....	2	2
5	1013039	WASHER, TIE ROD STOPPER .....	2	2
6	8990	TIE WRAP .....	2	2
7	1013035	SEAL, DUST .....	1	1
8	1013036	BUSHING, RACK .....	1	1
9	1013037	RING, SNAP .....	1	1
10	N/A	RACK, STEERING .....	1	1
11	N/A	RACK, END .....	1	1
12	N/A	SCREW, RACK GUIDE .....	1	1
13	1013044	NUT, LOCK, RACK SCREW .....	1	1
14	1013045	SPRING, RACK GUIDE PRESSURE .....	1	1
15	1013046	GUIDE, STEERING RACK .....	1	1
16	N/A	BOX, STEERING GEAR .....	1	1
17	N/A	BEARING, LOWER PINION .....	1	1
18	N/A	PINION, STEERING .....	1	1
19	1012884	BEARING, UPPER PINION .....	1	1
20	1013051	RING, SNAP .....	1	1
21	1013052	SEAL, DUST, STEERING PINION .....	1	1
22	1013031	RING, EXTERNAL RETAINING .....	1	1
23	1013042	NUT, HEX, M12 x 1.75 .....	1	1
24	7540	BALL JOINT, LEFT HAND THREAD (INCLUDES ITEMS 25, 26 AND 27) .....	1	1
25	1015597	FITTING, THREAD FORMING GREASE, 1/4 - 28 .....	1	1
26	7602	NUT, HEX SLOTTED, 3/8 - 24 .....	1	1
27	1011930	BOOT, DUST .....	1	1
28	1035	PIN, COTTER, 3/32 x 1 .....	1	1
29	7555	NUT, HEX, LEFT HAND THREAD, 1/2 - 20 .....	1	1
30	1012467	LINK, RACK AND PINION DRAG .....	3	3
31	1624	BOLT, HEX HEAD, 3/8 - 16 x 1 1/2 .....	3	3
32	334	WASHER, FLAT, 3/8 .....	3	3
33	1010138	NUT, DIMPLED LOCK, 3/8 - 16 .....		



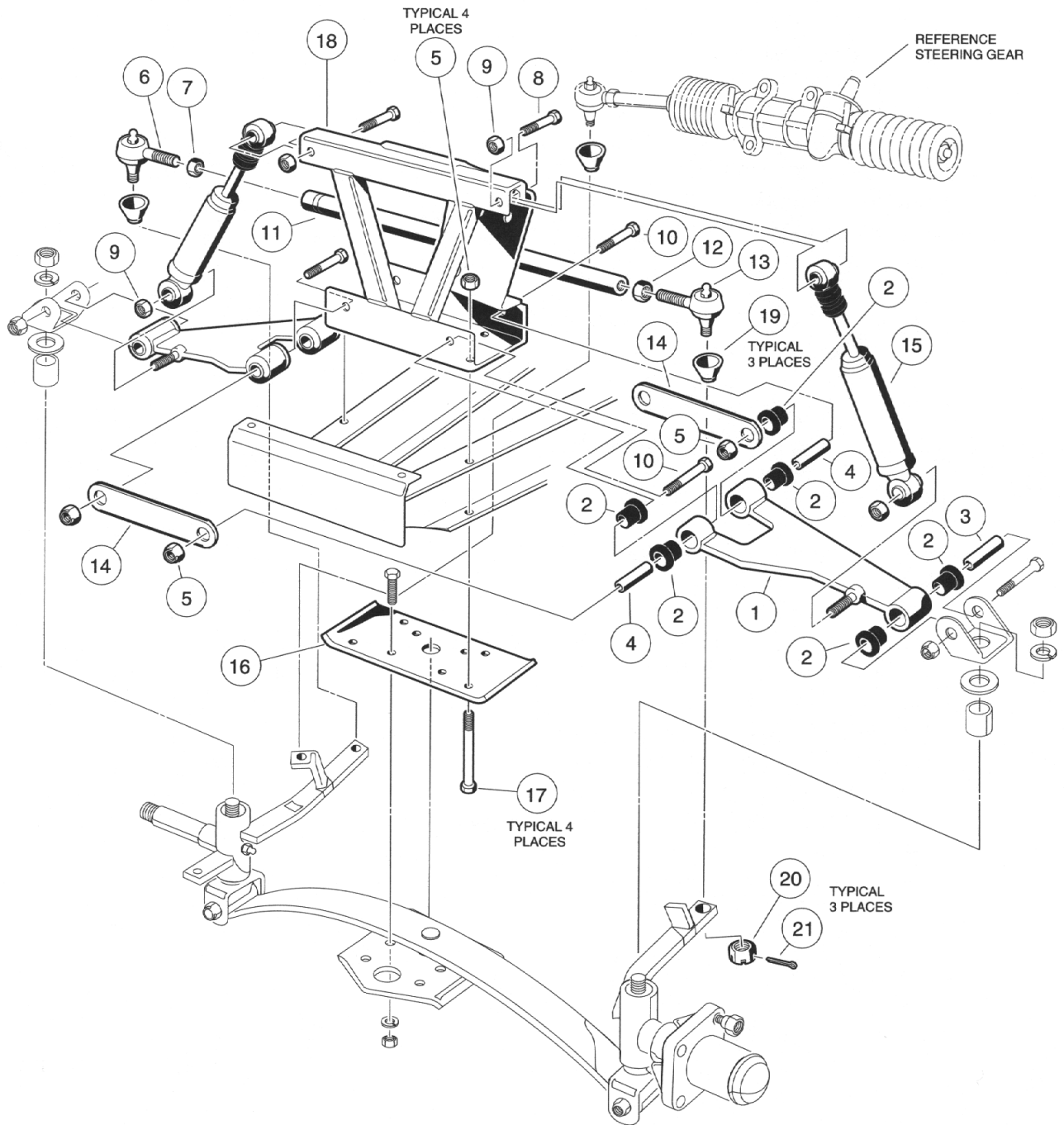
# STEERING GEAR ASSEMBLY

4

G

E

ITEM	PART NO.	DESCRIPTION	QTY GAS	QTY ELEC
		1 2 3 4		
		<b>FOR GASOLINE VEHICLES WITH SERIAL NUMBER AG9633-517735 AND LATER, AND ELECTRIC VEHICLES WITH SERIAL NUMBER A9640-533437 AND LATER.</b>		
	101878302	ASSEMBLY, STEERING GEAR BOX (INCLUDES ITEMS 1 - 20) .....	1	1
1	1013035	SEAL, DUST, PASSENGER SIDE .....	1	1
2	8990	WIRE TIE .....	2	2
3	101880201	ASSEMBLY, INNER BALL JOINT .....	1	1
4	101880301	WASHER, TAB .....	1	1
5	N/A	BOX, STEERING GEAR .....	1	1
6	N/A	BEARING, LOWER PINION .....	1	1
7	N/A	PINION, STEERING .....	1	1
8	101879401	BEARING, UPPER PINION .....	1	1
9	101879901	RING, C-TYPE STOP .....	1	1
10	1013051	RING, SNAP .....	1	1
11	1013052	SEAL, DUST, STEERING PINION .....	1	1
12	101879701	GUIDE, STEERING RACK .....	1	1
13	101879801	SPRING, YOKE .....	1	1
14	1013044	NUT, LOCK, RACK SCREW .....	1	1
15	N/A	SCREW, RACK GUIDE .....	1	1
16	N/A	RACK, STEERING .....	1	1
17	101879501	WASHER, STOP .....	1	1
18	101879601	RING, C-TYPE STOP .....	1	1
19	101880001	SEAL, DUST, DRIVER SIDE .....	1	1
20	101880101	RING, RETAINING .....	1	1
21	1035	PIN, COTTER, 3/32 x 1 .....	1	1
22	7540	BALL JOINT, LEFT-HAND THREAD (INCLUDES ITEMS 23, 24 AND 25) .....	1	1
23	1015597	FITTING, THREAD-FORMING GREASE, 1/4 - 28 .....	1	1
24	7602	NUT, HEX SLOTTED, 3/8 - 24 .....	1	1
25	1011930	BOOT, DUST .....	1	1
26	7555	NUT, HEX, LEFT-HAND THREAD, 1/2 - 20 .....	1	1
27	1012467	LINK, RACK AND PINION DRAG .....	1	1
28	1013042	NUT, HEX, M12 x 1.75 .....	1	1
29	1624	SCREW, HEX HEAD CAP, 3/8 - 16 x 1- 1/2 .....	3	3
30	334	WASHER, FLAT, 3/8 .....	3	3
31	8754	NUT, NYLON LOCK, 3/8 - 16 .....	3	3



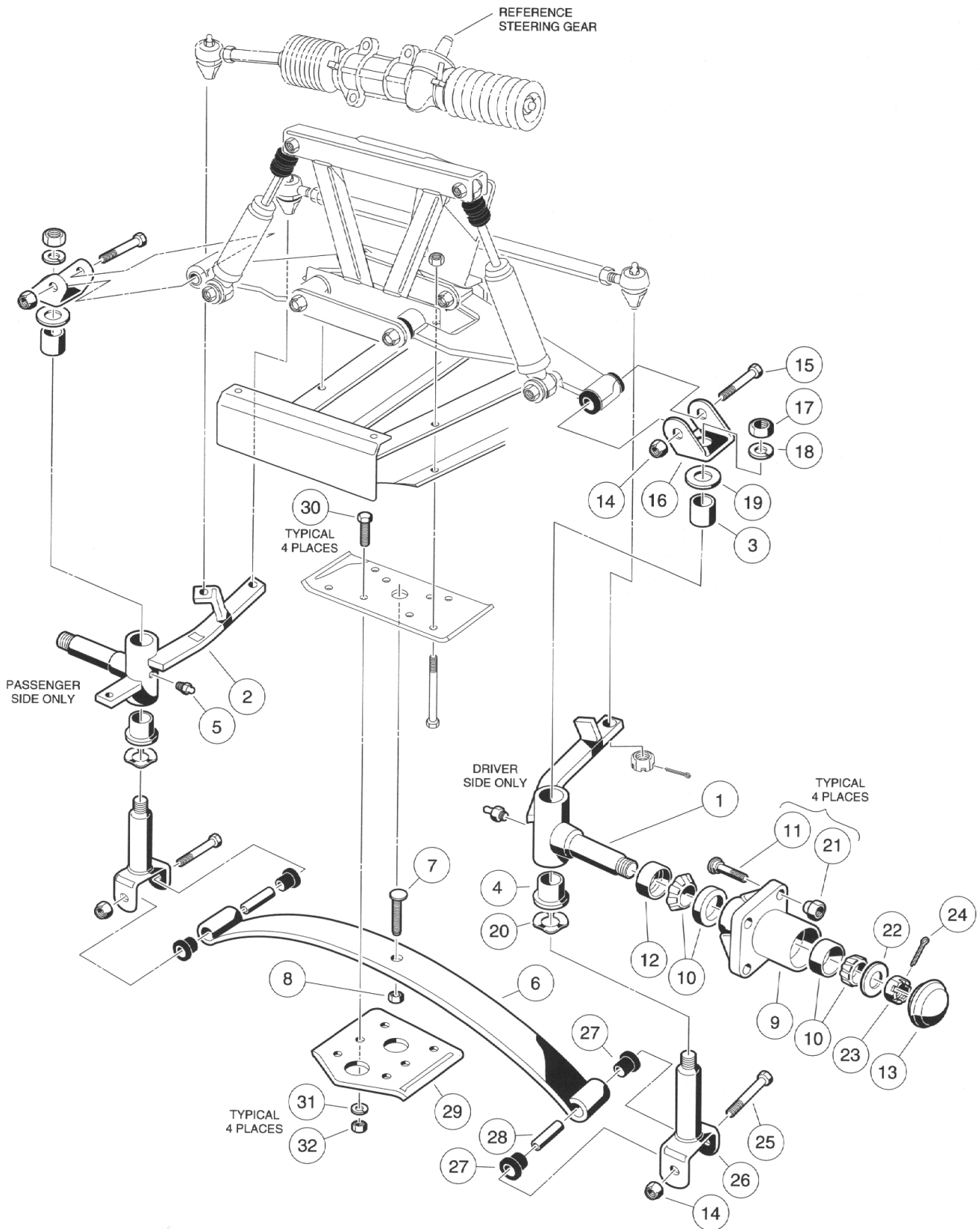
# FRONT SUSPENSION, UPPER

**4**

**G**

**E**

ITEM	PART NO.	DESCRIPTION	QTY GAS	QTY ELEC
		1 2 3 4		
1	1016353	ASSEMBLY, DELTA A-PLATE (INCLUDES ITEMS 2, 3 AND 4) .....	2	2
2	1016346	BUSHING, URETHANE .....	6	6
3	1016350	SLEEVE, DELTA OUTER .....	1	1
4	1016349	SLEEVE, DELTA INNER .....	2	2
5	8754	NUT, NYLON LOCK, 3/8 - 16 .....	8	8
6	7539	BALL JOINT .....	1	1
7	1308	NUT, HEX, 1/2 - 20 .....	1	1
8	1624	BOLT, HEX HEAD, 3/8 - 16 x 1 1/2 .....	2	2
9	1010138	NUT, DIMPLED LOCK, 3/8 - 16 .....	4	4
10	2402	SCREW, HEX CAP, 3/8 - 16 x 2 1/4 .....	4	4
11	1010219	ROD, TIE .....	1	1
12	7555	NUT, HEX, LEFT HAND THREAD, 1/2 - 20 .....	1	1
13	7540	BALL JOINT, LEFT HAND THREAD .....	1	1
14	1017266	STRAP, A-PLATE .....	2	2
15	1015813	SHOCK ABSORBER, FRONT (GASOLINE VEHICLE ONLY) .....	2	
15	1014235	SHOCK ABSORBER, FRONT (ELECTRIC VEHICLES ONLY) .....		2
16	1010124	PLATE, SPRING MOUNTING .....	1	1
17	1010200	BOLT, HEX HEAD, 3/8 - 16 x 4 1/4 .....	4	4
18	1016385	ASSEMBLY, DELTA SHOCK AND GEAR SUPPORT .....	1	1
19	1011930	SEAL, DUST .....	3	3
20	7602	NUT, SLOTTED HEX, 3/8 - 24 .....	3	3
21	1035	PIN, COTTER, 3/32 x 1 .....	1	1



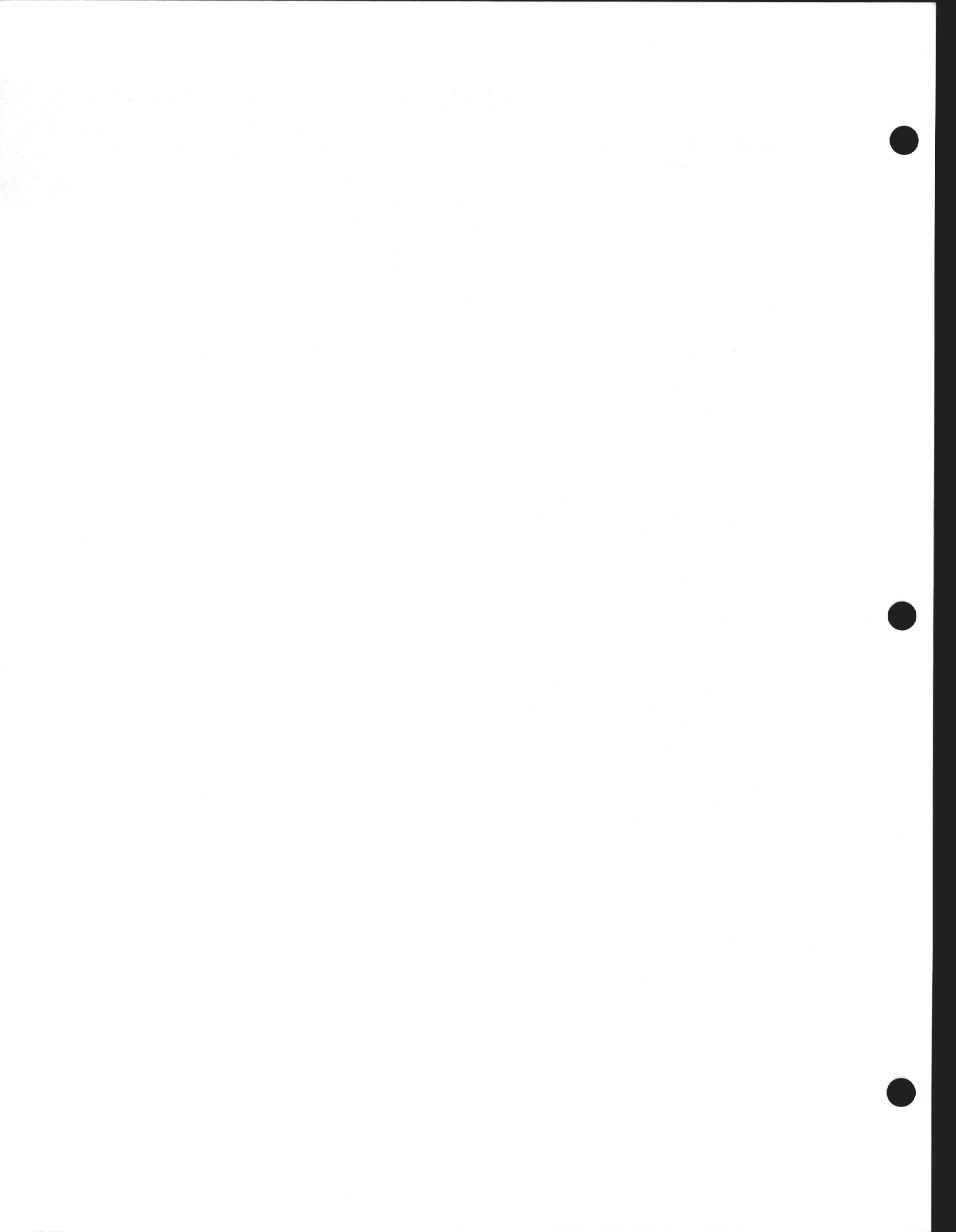
# FRONT SUSPENSION, LOWER

**4**

**G**

**E**

ITEM	PART NO.	DESCRIPTION	QTY GAS	QTY ELEC
		1 2 3 4		
1	1010348	ASSEMBLY, LEFT SPINDLE (INCLUDES ITEMS 3, 4 AND 5) .....	1	1
2	1010347	ASSEMBLY, RIGHT SPINDLE (INCLUDES ITEMS 3, 4 AND 5) .....	1	1
3	8067	BUSHING, BRONZE SPINDLE .....	1	1
4	7048	BUSHING, BRONZE .....	1	1
5	1015597	FITTING, GREASE, 1/4 - 28 .....	1	1
6	1012030	SPRING, TAPERED LEAF .....	1	1
7	8745	ASSEMBLY, ECCENTRIC .....	1	1
8	706	NUT, HEX, 3/8 - 16 .....	1	1
9	1011892	ASSEMBLY, HUB (INCLUDES ITEMS 10 - 13) .....	2	2
10	1011393	PACKAGE, HUB BEARING .....	2	2
11	1011304	STUD, LUG, 1/2 - 20 .....	4	4
12	1013135	SEAL, DOUBLE LIP .....	1	1
13	1011887	COVER, DUST .....	1	1
14	8754	NUT, NYLON LOCK, 3/8 - 16 .....	4	4
15	1016387	SCREW, HEX HEAD CAP, 3/8 - 16 x 2 3/4 .....	2	2
16	1016384	CLEVIS, UPPER DELTA .....	2	2
17	1308	NUT, HEX, 1/2 - 20 .....	2	2
18	209	WASHER, SPLIT LOCK, 1/2 .....	2	2
19	1010150	BEARING, THRUST .....	2	2
20	1016389	WASHER, KINGPIN WAVE .....	2	2
21	1010984	NUT, LUG .....	8	8
22	1010005	WASHER, FLAT, 3/4 .....	2	2
23	7840	NUT, HEX SLOTTED, 3/4 - 16 .....	2	2
24	7910	PIN, COTTER, 5/32 x 1 .....	2	2
25	8755	SCREW, HEX HEAD CAP, 3/8 - 16 x 3 3/8 .....	2	2
26	1016386	KINGPIN .....	2	2
27	1015583	BUSHING, URETHANE .....	4	4
28	1012303	BUSHING, STEEL .....	2	2
29	1014276	PLATE, FRONT SPRING RETAINER .....	1	1
30	1624	SCREW, HEX HEAD CAP, 3/8 - 16 x 1 1/2 .....	4	4
31	357	WASHER, LOCK, 3/8 .....	4	4
32	706	NUT, HEX, 3/8 - 16 .....	4	4



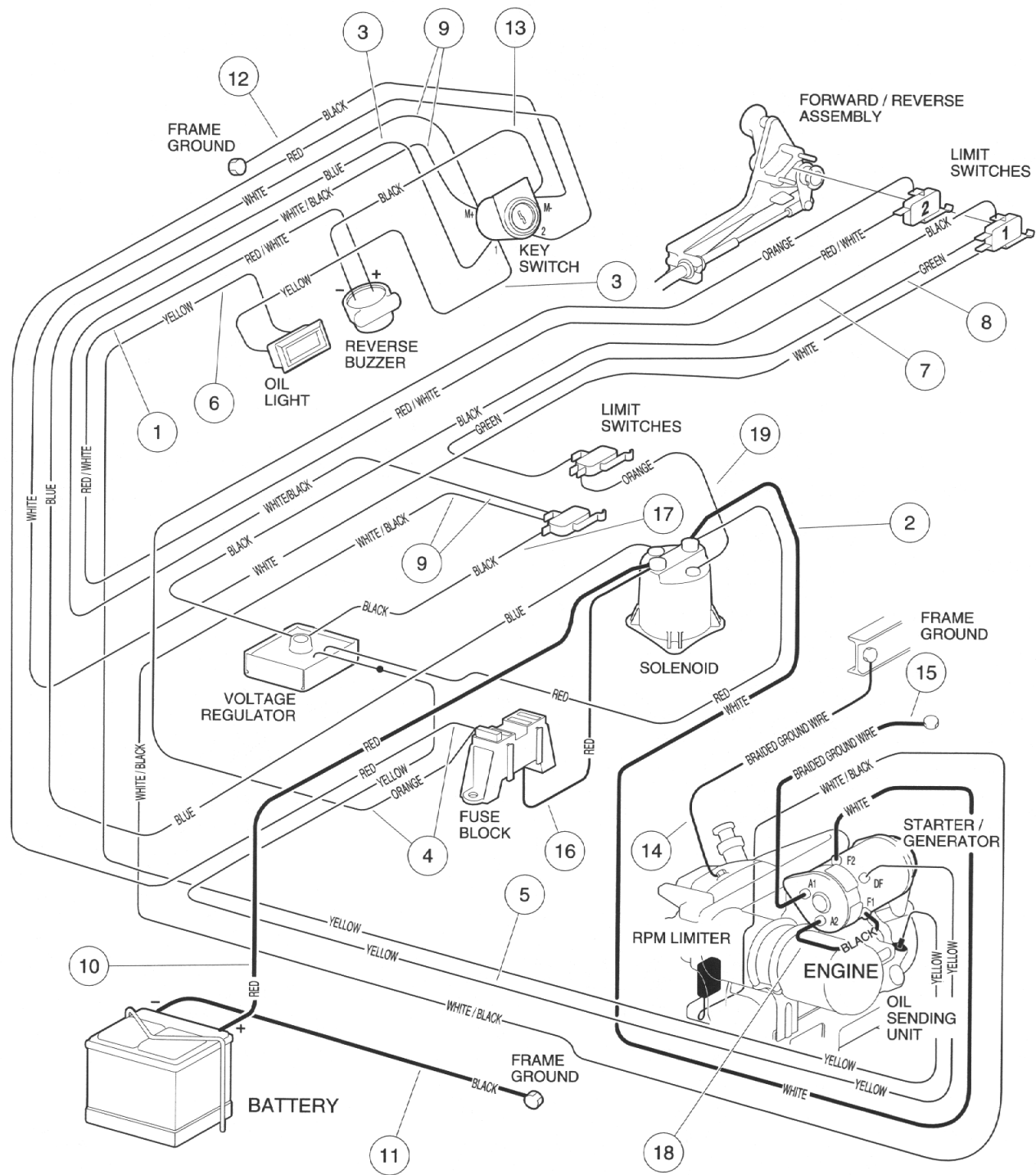


# ELECTRICAL SYSTEM GASOLINE VEHICLE

---

**5**

**G**

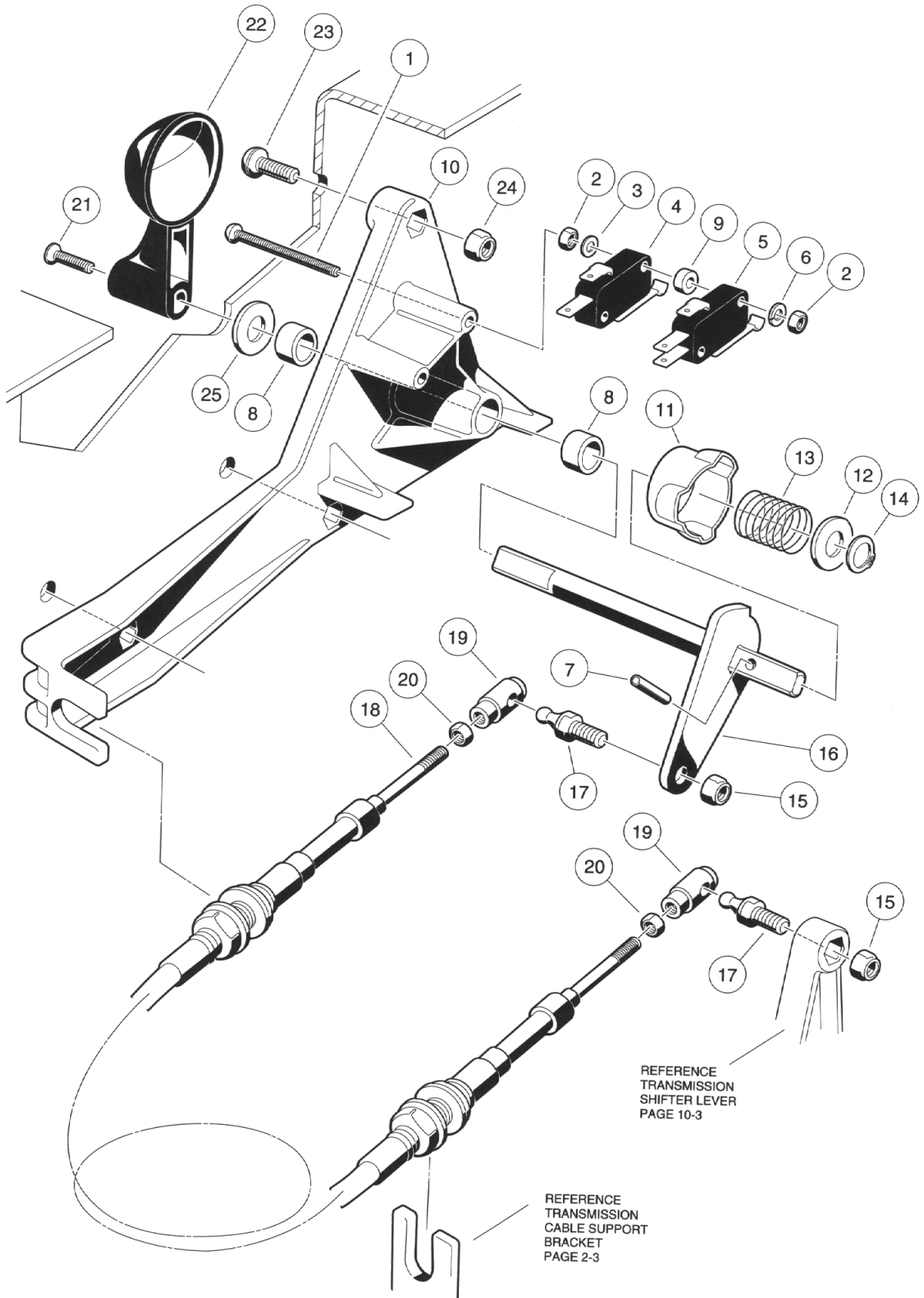


# WIRING - GASOLINE VEHICLE

**5**

**G**

ITEM	PART NO.	DESCRIPTION	QTY
		1 2 3 4	
	1015735	WIRE HARNESS (INCLUDES ITEMS 1 - 10) .....	1
1	N/A	WIRE ASSEMBLY, #18 RED/WHITE .....	1
2	1015769	WIRE ASSEMBLY, #6 WHITE .....	1
3	N/A	WIRE ASSEMBLY, #18 YELLOW, #16 BLUE .....	1
4	N/A	WIRE ASSEMBLY, #16 RED, #16 ORANGE .....	1
5	N/A	WIRE ASSEMBLY, #16 YELLOW .....	1
6	N/A	WIRE ASSEMBLY, #18 YELLOW .....	1
7	N/A	WIRE ASSEMBLY, #18 BLACK .....	1
8	N/A	WIRE ASSEMBLY, #18 GREEN .....	1
9	N/A	WIRE ASSEMBLY, #18 WHITE/BLACK, #18 WHITE/BLACK .....	1
10	1014119	WIRE ASSEMBLY, #6 RED .....	1
11	1012382	WIRE ASSEMBLY, #6 BLACK .....	1
12	N/A	WIRE ASSEMBLY, #18 BLACK .....	1
13	N/A	WIRE ASSEMBLY, #18 BLACK (PART OF REVERSE BUZZER KIT) .....	1
14	1015332	WIRE ASSEMBLY, #10 BRAIDED GROUND .....	1
15	1015920	WIRE ASSEMBLY, #6 BRAIDED GROUND .....	1
16	1015737	WIRE ASSEMBLY, #10 RED (PART OF ELECTRICAL COMPONENT BOX) .....	1
17	N/A	WIRE ASSEMBLY, #18 BLACK (PART OF ELECTRICAL COMPONENT BOX) .....	1
18	1012384	WIRE ASSEMBLY, #6 BLACK .....	1
19	N/A	WIRE ASSEMBLY, #18 ORANGE (PART OF ELECTRICAL COMPONENT BOX) .....	1

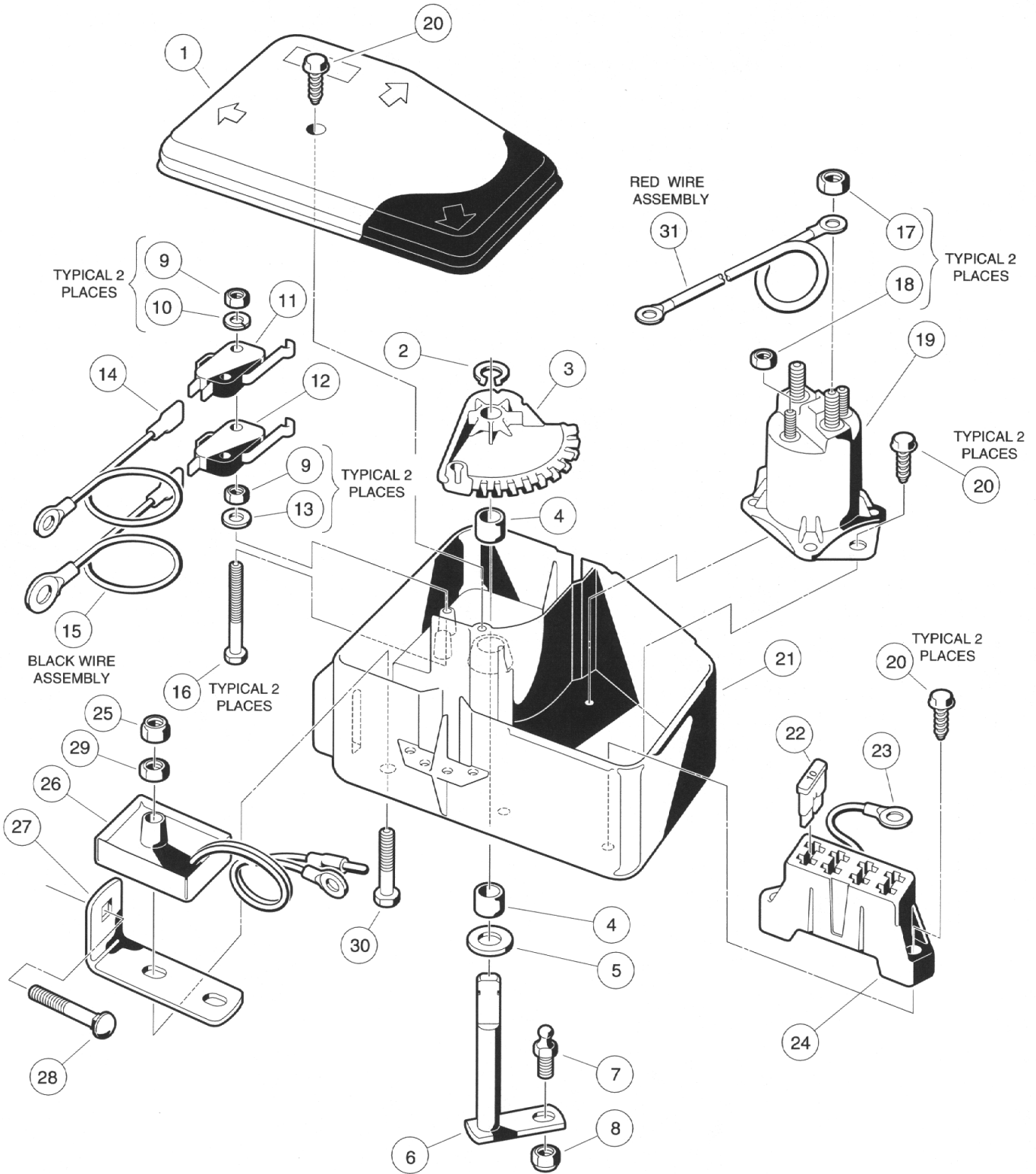


# FORWARD AND REVERSE SHIFTER ASSEMBLY GASOLINE VEHICLE

**5**

**G**

ITEM	PART NO.	DESCRIPTION	QTY
		1 2 3 4	
	1016947	ASSEMBLY, FORWARD AND REVERSE SHIFTER (INCLUDES ITEMS 1 - 17) .....	1
1	1012594	SCREW, MACHINE, #4 - 40 x 1 1/2 .....	2
2	8057	NUT, HEX HEAD, #4 - 40 .....	4
3	1012431	WASHER, FLAT, #4 .....	2
4	1014808	SWITCH, LIMIT .....	1
5	1014807	SWITCH, LIMIT .....	1
6	8058	WASHER, LOCK, #4 .....	2
7	1013591	PIN, ROLL, 1/8 .....	1
8	1014145	BUSHING, BRONZE .....	2
9	1014727	WASHER, NYLON FLAT, #4 .....	2
10	1016342	BASE, FORWARD AND REVERSE SHIFTER .....	1
11	1014089	KIT, NEUTRAL LOCK-OUT CAM (INCLUDES ITEM 12) .....	1
12	1014065	WASHER, FLAT .....	1
13	1013590	SPRING, FORWARD AND REVERSE CAM .....	1
14	1013589	RING, RETAINING .....	1
15	8717	NUT, NYLON LOCK, 1/4 - 28 .....	2
16	1013587	WELDMENT, FORWARD AND REVERSE BELL CRANK .....	1
17	1010954	STUD, BALL, 1/4 - 28 x 1/4 .....	2
18	1013085	CABLE, TRANSMISSION (INCLUDES ITEMS 19 AND 20) .....	1
19	1012333	JOINT, BALL .....	2
20	7893	NUT, HEX, #10 - 32 .....	2
21	1013198	SCREW, PHILLIPS OVAL COUNTERSUNK MACHINE, #8 - 32 x 5/8 .....	1
22	1012987	HANDLE, FORWARD AND REVERSE SWITCH .....	1
23	8248	SCREW, PHILLIPS TRUSS HEAD, 1/4 - 20 x 3/4 .....	4
24	8233	NUT, NYLON LOCK, 1/4 - 20 .....	4
25	1014065	WASHER, FLAT .....	1

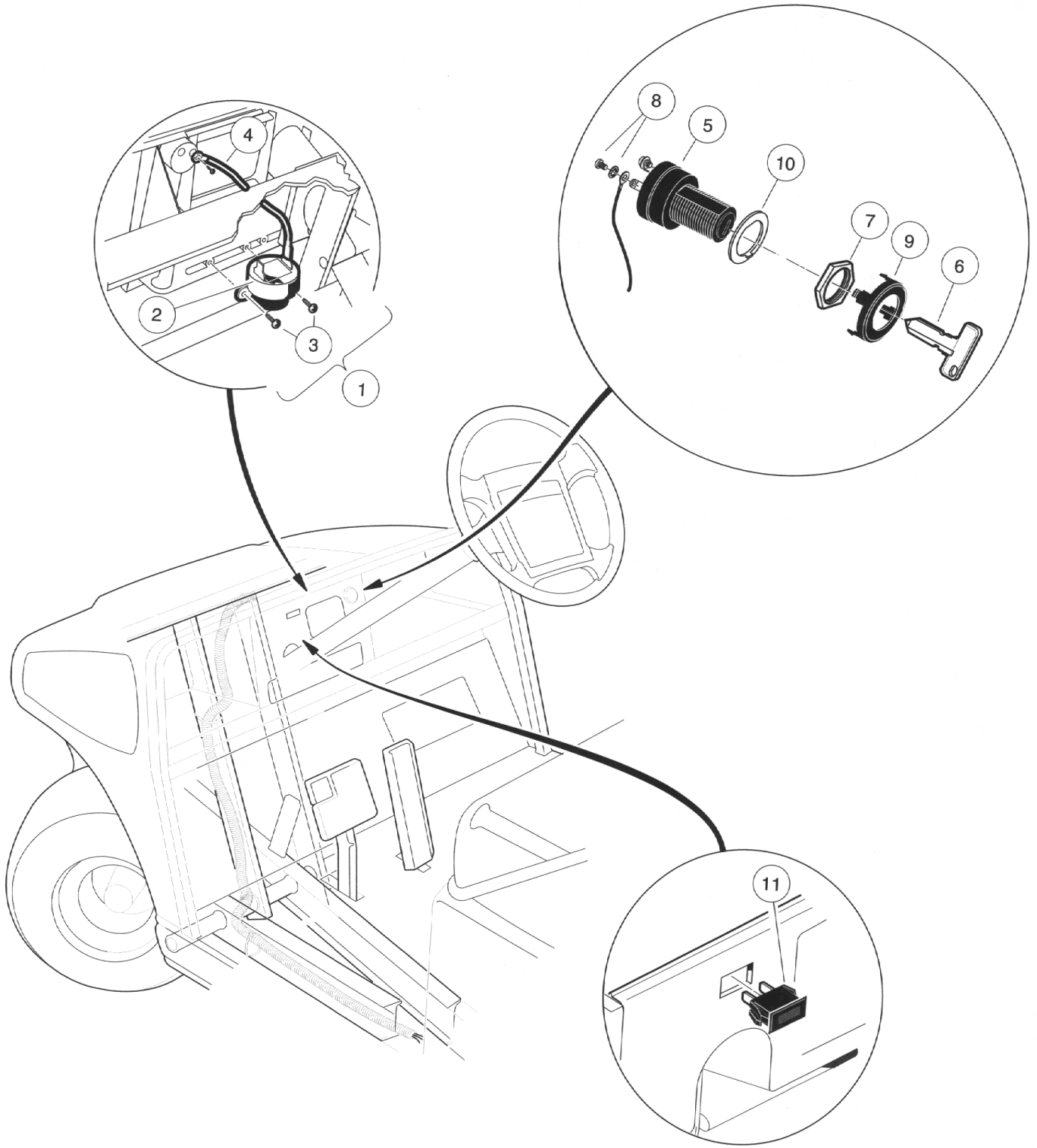


# ELECTRICAL COMPONENT BOX GASOLINE VEHICLE

**5**

**G**

ITEM	PART NO.	DESCRIPTION	QTY
		1 2 3 4	
	101827601	BOX, ELECTRICAL COMPONENT, COMPLETE (INCLUDES ITEMS 1 - 31 AND 1015735 - SEE PAGE 5-3)	1
1	1015372	COVER, ELECTRICAL COMPONENT BOX	1
2	1013589	RING, RETAINING	1
3	1015373	CAM, ELECTRICAL BOX	2
4	1014145	BUSHING, BRONZE	1
5	1014065	WASHER, FLAT	1
6	101821301	ASSEMBLY, BELL CRANK SHAFT	1
7	1010954	STUD, BALL, 1/4 - 28	1
8	8717	NUT, NYLON LOCK, 1/4 - 28	4
9	8057	NUT, HEX, #4 - 40	2
10	8058	WASHER, LOCK, #4	1
11	1014807	SWITCH, LIMIT	1
12	1014808	SWITCH, LIMIT	2
13	1012431	WASHER, FLAT, #4	1
14	1016401	WIRE ASSEMBLY, #16 ORANGE	1
15	1016402	WIRE ASSEMBLY, #16 BLACK	2
16	1015878	SCREW, HEX HEAD MACHINE, #4 - 40 x 1 5/8	2
17	1242	NUT, HEX, 5/16 - 18	2
18	7893	NUT, HEX, #10 - 32	1
19	1013609	SOLENOID, 12 VOLT	5
20	1015752	SCREW, HILO, #12 - 16 x 5/8	1
21	1015371	BOX, ELECTRICAL COMPONENT	1
22	1012295	FUSE, 10 AMP	1
23	1015737	WIRE ASSEMBLY, #10 RED	1
24	1015741	BLOCK, FUSE	1
25	8233	NUT, NYLON LOCK, 1/4 - 20	1
26	1015777	ASSEMBLY, VOLTAGE REGULATOR	1
27	1015343	STRAP, GROUND	1
28	1015405	BOLT, CARRIAGE, 5/16 - 18 x 2	1
29	1015919	NUT, HEX JAM, 1/4 - 20	1
30	1013509	SCREW, HEX HEAD CAP, 1/4 - 20 x 1 3/4	1
31	1014119	WIRE ASSEMBLY, #6 RED	1



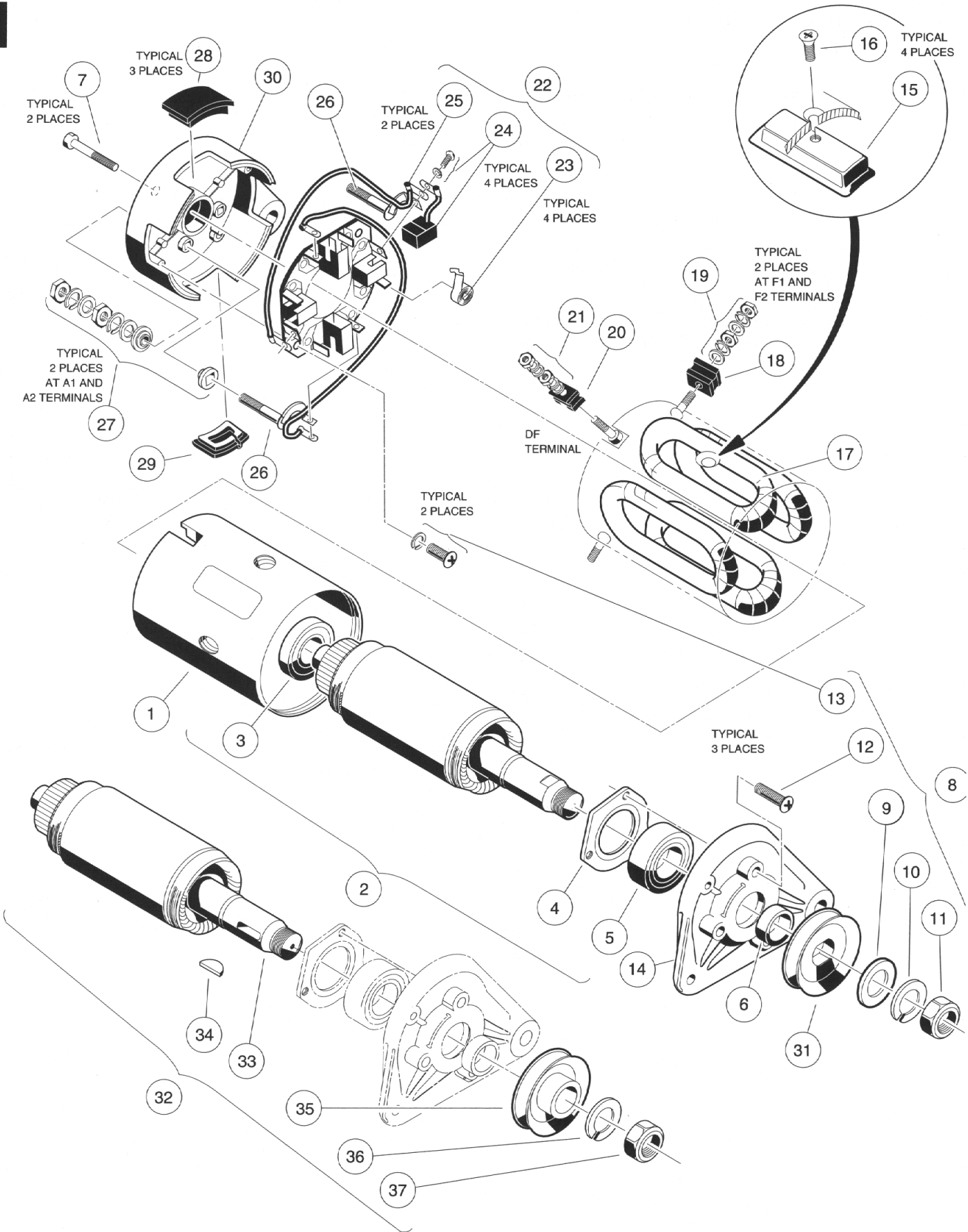


# ELECTRICAL COMPONENTS GASOLINE VEHICLE

**5**

**G**

ITEM	PART NO.	DESCRIPTION	QTY
		1 2 3 4	
1	1016859	KIT, REVERSE BUZZER (INCLUDES ITEMS 2, 3 AND 4) .....	1
2	1016851	BUZZER, REVERSE .....	1
3	1016849	SCREW, PAN HEAD HI-LO, #4 - 24 x 5/16 .....	2
4	1016857	WIRE ASSEMBLY, #18 BLACK .....	1
5	101826301	SWITCH, KEY .....	1
6	1012505	KEY (PAIR) .....	1
7	101830701	NUT, KEY SWITCH .....	1
8	101830601	ASSEMBLY, SCREW AND WASHER .....	4
9	101834502	CAP, KEY SWITCH .....	1
10	101851101	WASHER .....	1
11	1016630	LIGHT, OIL WARNING .....	1

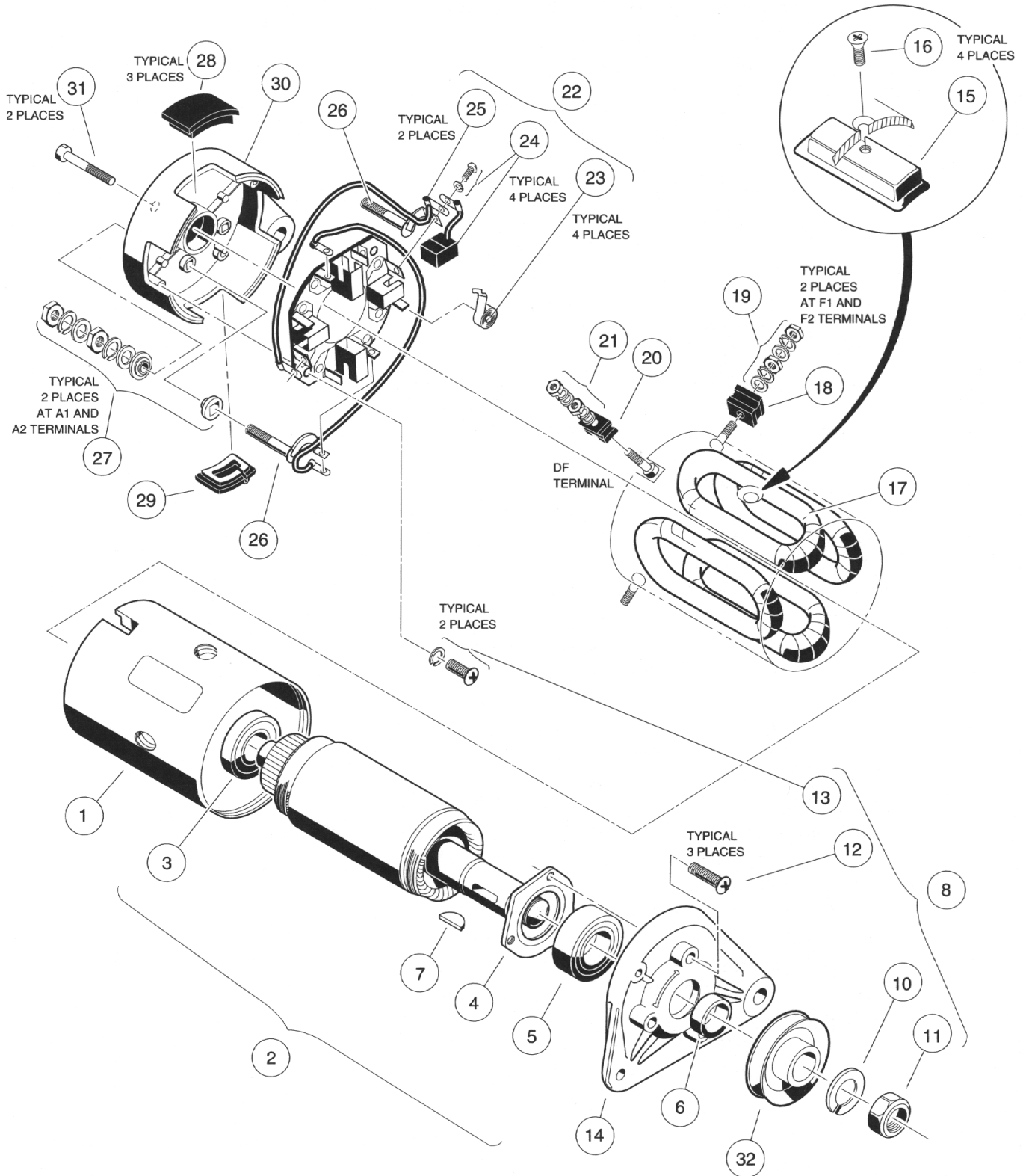


# STARTER/GENERATOR ASSEMBLY

5

G

ITEM	PART NO.	DESCRIPTION	QTY
		1 2 3 4	
		<b>FOR VEHICLES PRIOR TO SERIAL NUMBER 9625-505061.</b>	
	101829401	STARTER/GENERATOR (INCLUDES ITEMS 1 - 30) .....	1
1	101875201	HOUSING, FIELD COIL .....	1
2	N/A	ASSEMBLY, ARMATURE .....	N/A
3	1013005	COMMUTATOR, BALL BEARING .....	1
4	101875001	RETAINER, BEARING .....	1
5	1013001	BALL BEARING, OUTPUT SHAFT .....	1
6	101874801	SPACER .....	1
7	101879001	BOLT, CLAMP, M6 x 1 x 180 MM .....	2
8	101876501	KIT, PULLEY NUT AND SCREW (INCLUDES ITEMS 9 - 13) .....	1
9	N/A	WASHER, FLAT, M8 (FOR VEHICLES PRIOR TO SERIAL NUMBER 9625-505061) .....	1
10	N/A	WASHER, LOCK, M14 .....	1
11	N/A	NUT, HEX, M14 x 2 .....	1
12	N/A	SCREW, CROSS - RECESSED, M5 x .8 x 18 MM .....	3
13	101896501	SCREW, CROSS - RECESSED, M5 x .8 x 16 MM (WITH LOCK WASHER) .....	2
14	101874901	END BELL, OUTPUT SHAFT .....	1
15	101875301	SET, POLE (SET OF 4) .....	1
16	101875401	SCREW, POLE PIECE (SET OF 4) .....	1
17	101875501	ASSEMBLY, FIELD COIL .....	1
18	101875601	SET, F INSULATOR .....	2
19	101877601	PACKAGE, TERMINAL HARDWARE (F1 AND F2) .....	2
20	101875701	SET, DF INSULATOR .....	1
21	101877701	PACKAGE, TERMINAL HARDWARE (DF) .....	1
22	1013011	HOLDER, BRUSH (INCLUDES ITEM 23) .....	1
23	101878101	SPRING, BRUSH .....	4
24	101869301	PACKAGE, BRUSH (INCLUDES 4 BRUSHES, 4 SCREWS, 4 WASHERS) .....	1
25	101876201	ASSEMBLY, BRUSH CONNECTOR .....	2
26	101875801	A CONNECTOR (SET OF 2) .....	1
27	101876001	PACKAGE, TERMINAL HARDWARE (A1 AND A2) .....	2
28	101876301	COVER, BRUSH INSPECTION PORT (SET OF 4) (INCLUDES ITEM 29) .....	1
29	1017653	COVER, BRUSH INSPECTION PORT, WITH DRAIN .....	1
30	101876401	END BELL, COMMUTATOR .....	1
31	101874701	PULLEY (FOR VEHICLES PRIOR TO SERIAL NUMBER 9625-505061) .....	1
32	101875102	KIT, ARMATURE CONVERSION (INCLUDES ITEMS 33 - 37) .....	1
33	101875101	ARMATURE .....	1
34	1013003	KEY, WOODRUFF .....	1
35	1014289	PULLEY .....	1
36	N/A	WASHER, LOCK, M14 .....	1
37	N/A	NUT, HEX, M14 x 2 .....	1

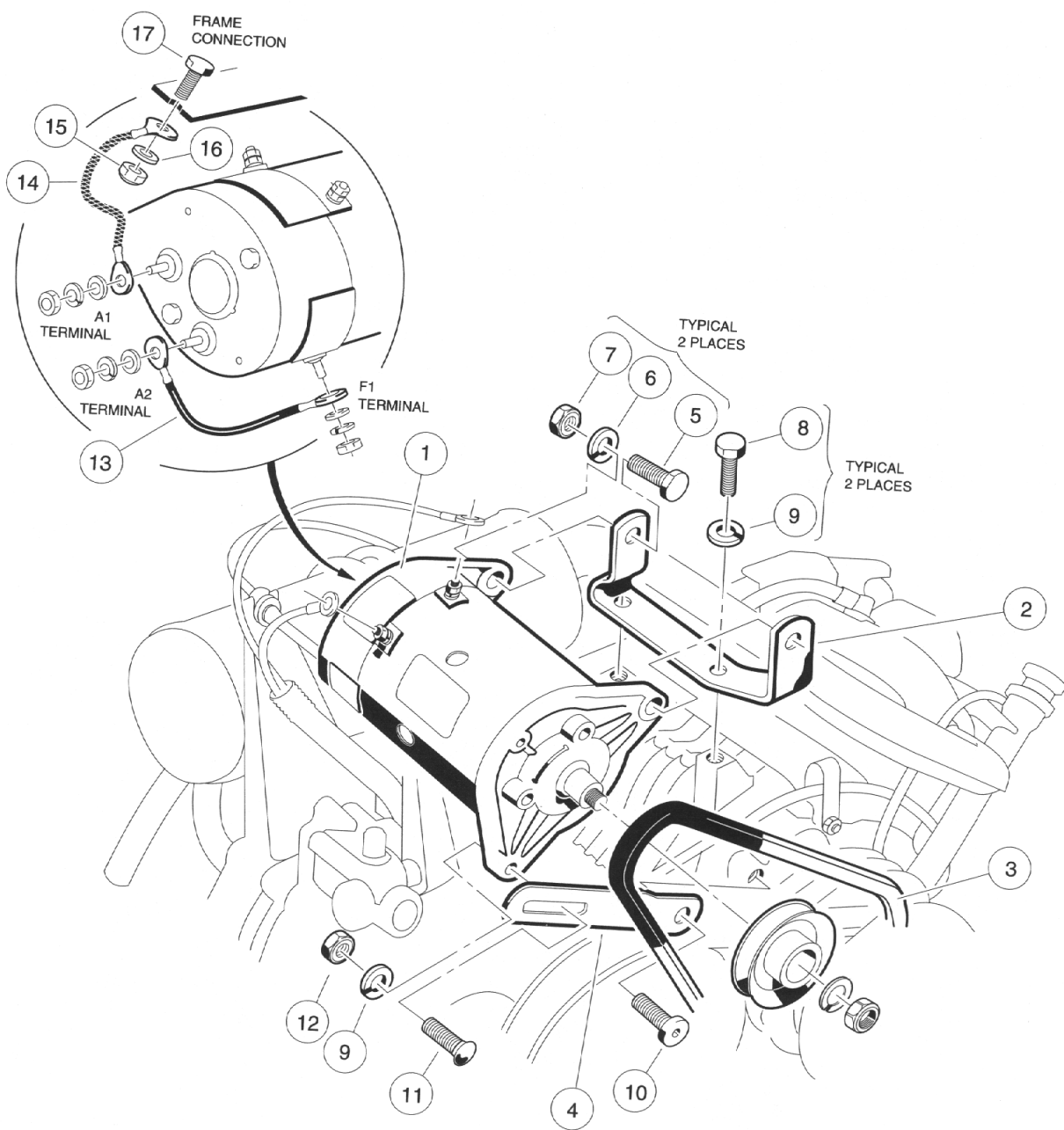


# STARTER/GENERATOR ASSEMBLY

5

G

ITEM	PART NO.	DESCRIPTION	QTY
		1 2 3 4 FOR VEHICLES SERIAL NUMBER 9625-505061 AND LATER.	
		STARTER/GENERATOR (INCLUDES ITEMS 1 - 31) .....	1
1	101829401	HOUSING, FIELD COIL .....	1
2	101875201	ASSEMBLY, ARMATURE .....	1
3	101875101	COMMUTATOR, BALL BEARING .....	1
4	1013005	RETAINER, BEARING .....	1
5	101875001	BALL BEARING, OUTPUT SHAFT .....	1
6	1013001	SPACER .....	1
7	101874801	KEY, WOODRUFF .....	1
8	1013003	KIT, PULLEY NUT AND SCREW (INCLUDES ITEMS 9 - 13) .....	1
9	101876501	WASHER, FLAT, M8 (FOR VEHICLES PRIOR TO SERIAL NUMBER 9625-505061) .....	1
	N/A	WASHER, LOCK, M14 .....	1
10	N/A	NUT, HEX, M14 x 2 .....	3
11	N/A	SCREW, CROSS - RECESSED, M5 x .8 x 18 MM .....	2
12	N/A	SCREW, CROSS - RECESSED, M5 x .8 x 16 MM (WITH LOCK WASHER) .....	1
13	101896501	END BELL, OUTPUT SHAFT .....	1
14	101874901	SET, POLE (SET OF 4) .....	1
15	101875301	SCREW, POLE PIECE (SET OF 4) .....	1
16	101875401	ASSEMBLY, FIELD COIL .....	2
17	101875501	SET, F INSULATOR .....	2
18	101875601	PACKAGE, TERMINAL HARDWARE (F1 AND F2) .....	1
19	101877601	SET, DF INSULATOR .....	1
20	101875701	PACKAGE, TERMINAL HARDWARE (DF) .....	1
21	101877701	HOLDER, BRUSH (INCLUDES ITEM 23) .....	4
22	1013011	SPRING, BRUSH .....	1
23	101878101	PACKAGE, BRUSH (INCLUDES 4 BRUSHES, 4 SCREWS, 4 WASHERS) .....	2
24	101869301	ASSEMBLY, BRUSH CONNECTOR .....	1
25	101876201	A CONNECTOR (SET OF 2) .....	2
26	101875801	PACKAGE, TERMINAL HARDWARE (A1 AND A2) .....	1
27	101876001	COVER, BRUSH INSPECTION PORT (SET OF 4) (INCLUDES ITEM 29) .....	1
28	101876301	COVER, BRUSH INSPECTION PORT, WITH DRAIN .....	1
29	1017653	END BELL, COMMUTATOR .....	2
30	101876401	BOLT, CLAMP, M6 x 1 x 180 MM .....	1
31	101879001	PULLEY .....	
32	1014289		

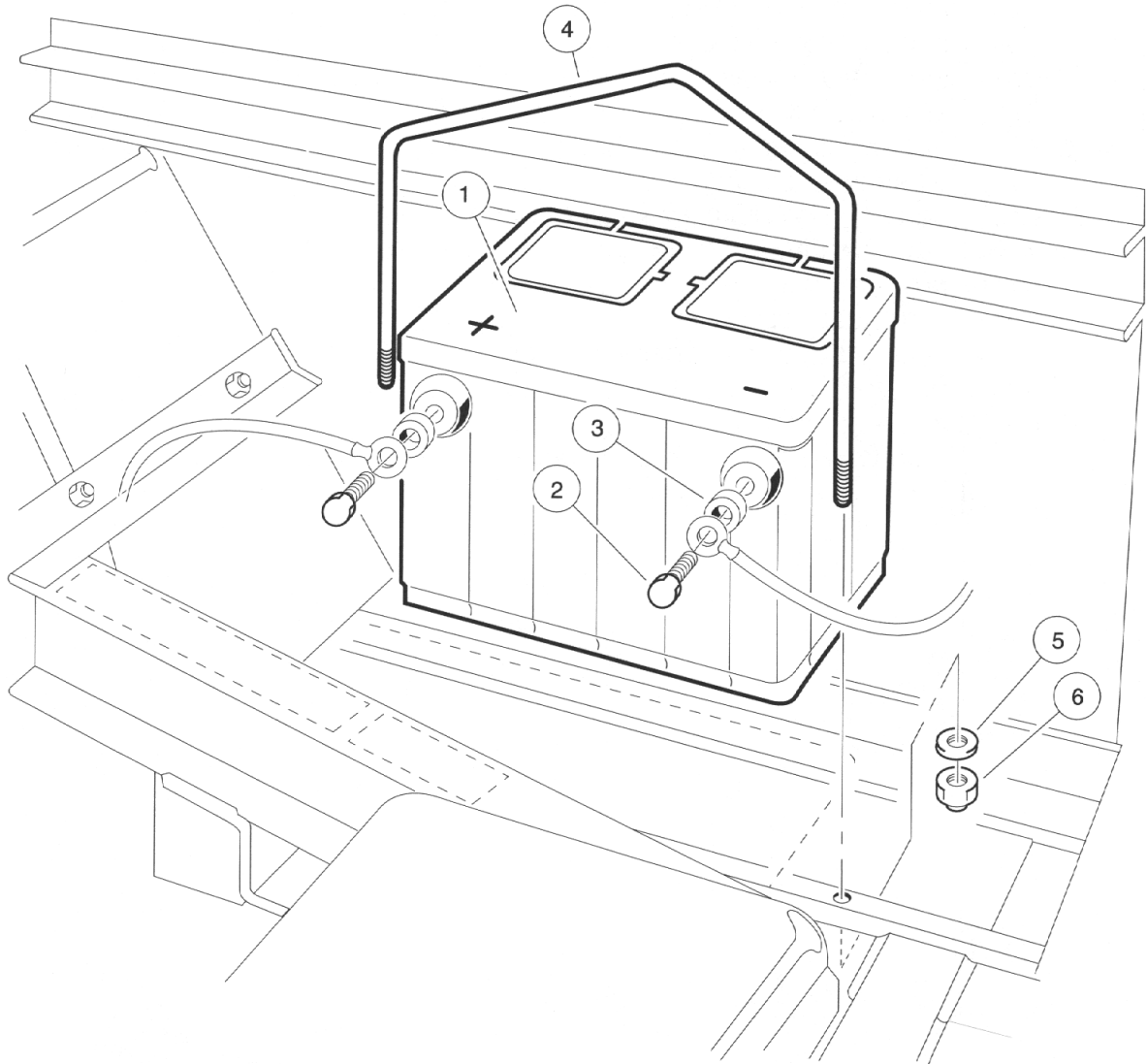


# STARTER/GENERATOR MOUNTING

5

G

ITEM	PART NO.	DESCRIPTION	QTY
		1 2 3 4	
1	101829401	STARTER/GENERATOR .....	1
2	101524001	BRACKET, MOUNTING, FE 290 .....	1
3	1015241	BELT .....	1
4	1016883	BRACKET, ADJUSTING .....	1
5	705	SCREW, HEX HEAD CAP, 3/8 - 16 x 1 1/4 .....	2
6	357	WASHER, LOCK, 3/8 .....	2
7	706	NUT, HEX, 3/8 - 16 .....	2
8	101903501	SCREW, HEX HEAD CAP, M8 x 1.25 x 24 MM .....	2
9	7174	WASHER, LOCK, 5/16 .....	3
10	1016074	SCREW, TORX HEAD, M8 x 1.25 x 18 MM .....	1
11	1015932	BOLT, CARRIAGE, 5/16 - 18 x 1 .....	1
12	1242	NUT, HEX, 5/16 - 18 .....	1
13	1012384	WIRE ASSEMBLY, #6 BLACK .....	1
14	1015920	WIRE ASSEMBLY, #6 BRAIDED GROUND .....	1
15	7473	NUT, NYLON LOCK, 5/16 - 18 .....	1
16	1241	WASHER, FLAT, 5/16 .....	1
17	7173	SCREW, HEX HEAD CAP, 5/16 - 18 x 3/4 .....	1





# BATTERY MOUNTING - GASOLINE VEHICLE

5

G

ITEM	PART NO.	DESCRIPTION	QTY
		1 2 3 4	
1	1012328	BATTERY, 12 VOLT .....	1
2	1014375	SCREW, HEX HEAD CAP, STAINLESS STEEL, 3/8 - 16 x 1/2 .....	2
3	1014374	SPACER, BATTERY TERMINAL BOLT .....	2
4	1013882	HOLD-DOWN, BATTERY, STAINLESS STEEL .....	1
5	1011964	WASHER, FLAT, STAINLESS STEEL, 1/4 .....	2
6	1015068	NUT, NYLON LOCK, STAINLESS STEEL, 1/4 - 20 .....	2



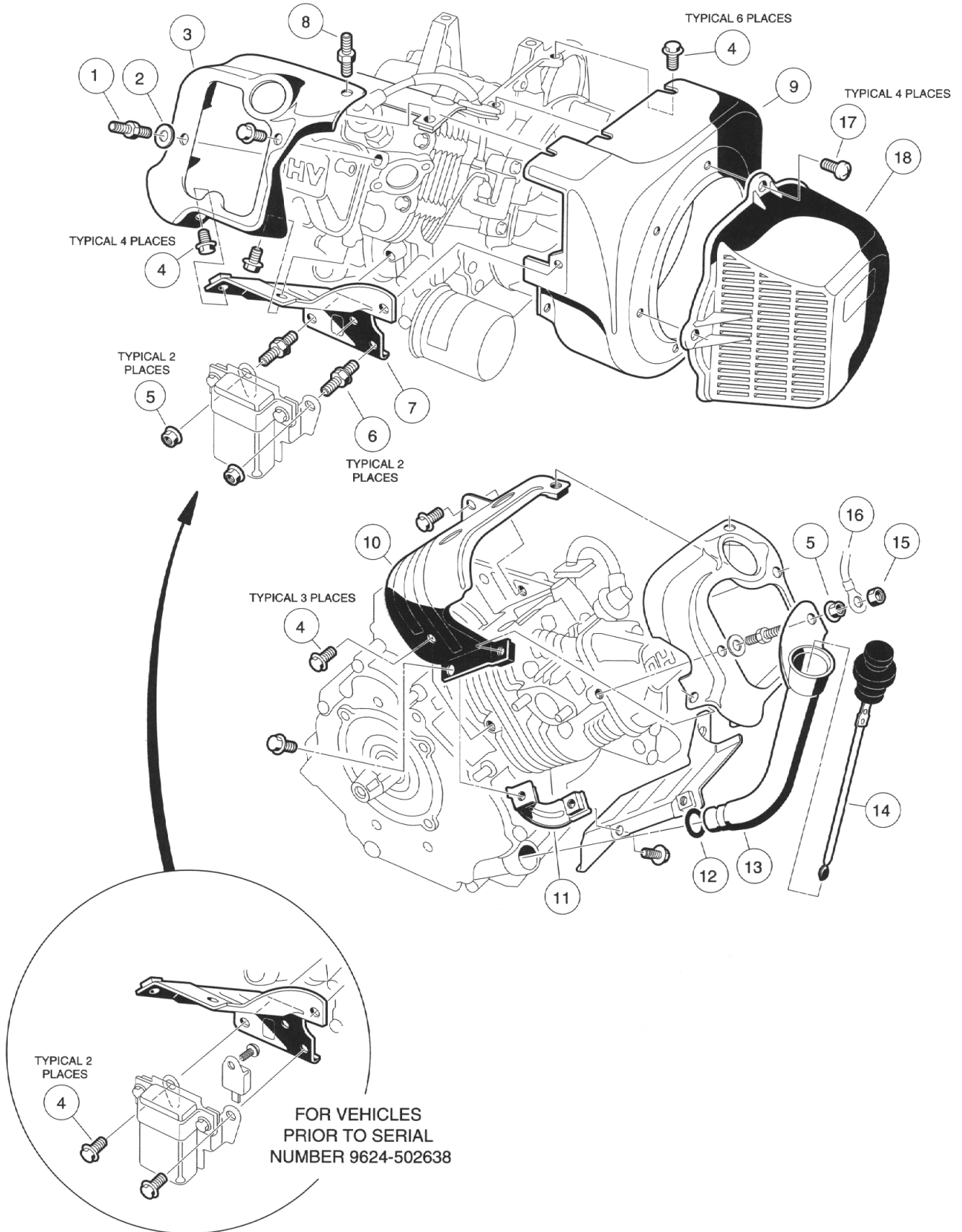
# ENGINE

---

6

G

# FE 290 ENGINE

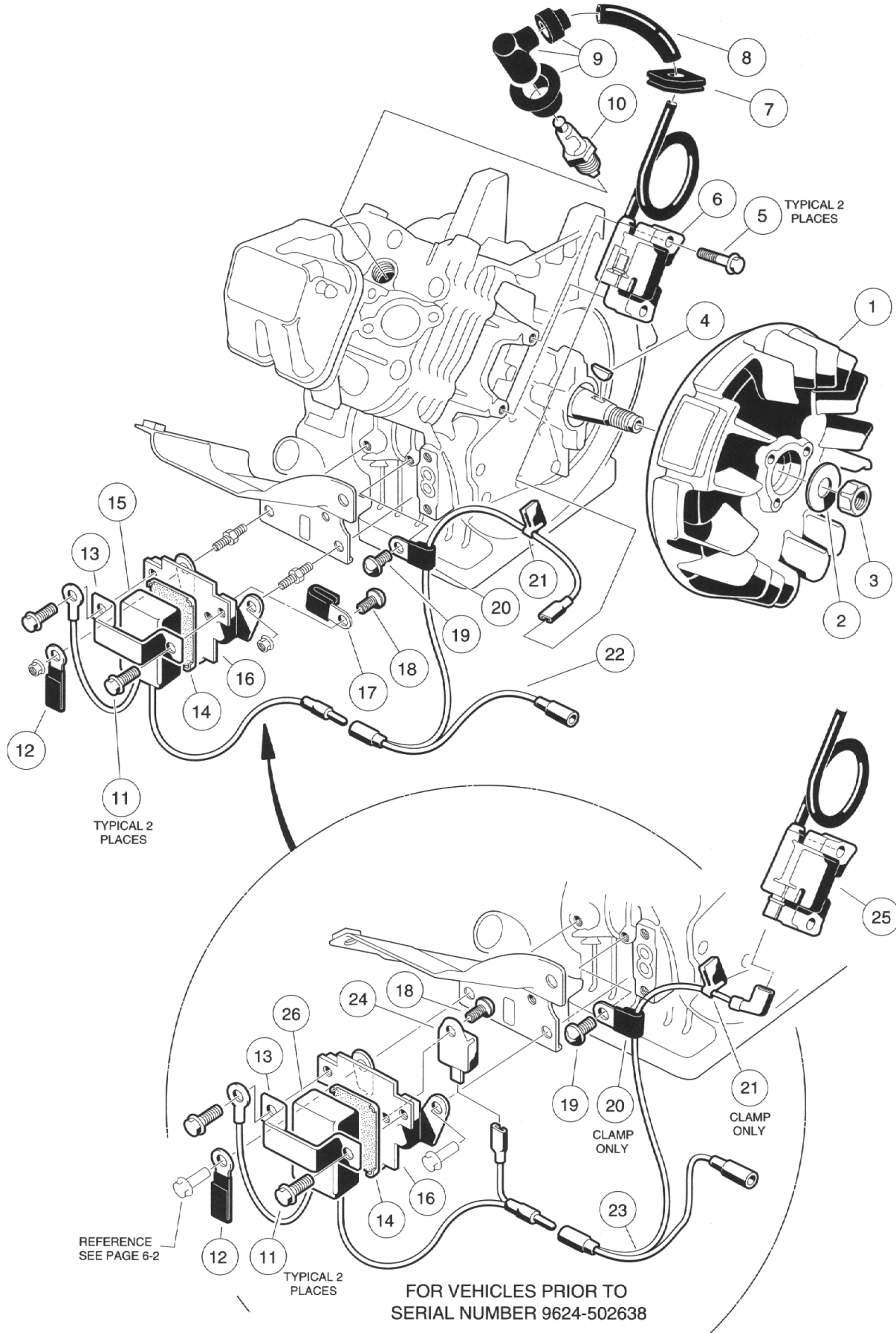


# FE 290 ENGINE

6

G

ITEM	PART NO.	DESCRIPTION	QTY
		1 2 3 4	
	1015731	FE 290 OHV GASOLINE ENGINE, COMPLETE (DOES NOT INCLUDE ITEMS 15 - 18) .....	1
1	1016507	BOLT, 2-ENDED, M6 x 1 x 29 MM .....	1
2	1016512	WASHER, FLAT, 6 MM .....	1
3	1016524	SHROUD, ENGINE, FE 290 .....	1
4	1016456	BOLT, FLANGED, M6 x 1 x 12 MM .....	17
5	1016547	NUT, M6 x 1 .....	3
6	101909701	BOLT, 2-ENDED, M6 x 1 x 27 MM (FOR VEHICLES SERIAL NUMBER 9624-502638 AND LATER) .....	2
7	1016526	SHROUD, ENGINE, FE 290 (LOWER) .....	1
8	1017221	BOLT, 2-ENDED, M6 x 1 x 46 MM .....	1
9	1016534	HOUSING, FAN .....	1
10	1016525	SHROUD, ENGINE, FE 290 (UPPER) .....	1
11	1016443	BRACKET .....	1
12	1016539	O-RING .....	1
13	1016536	TUBE, OIL FILLER, FE 290 .....	1
14	1016531	DIPSTICK .....	1
15	1011114	NUT, M6 x 1 .....	3
16	1015332	WIRE ASSEMBLY, #10 BRAIDED GROUND .....	1
17	1015969	SCREW, PAN HEAD, M6 x 1 x 14 MM .....	4
18	1015649	SHROUD, FAN .....	1



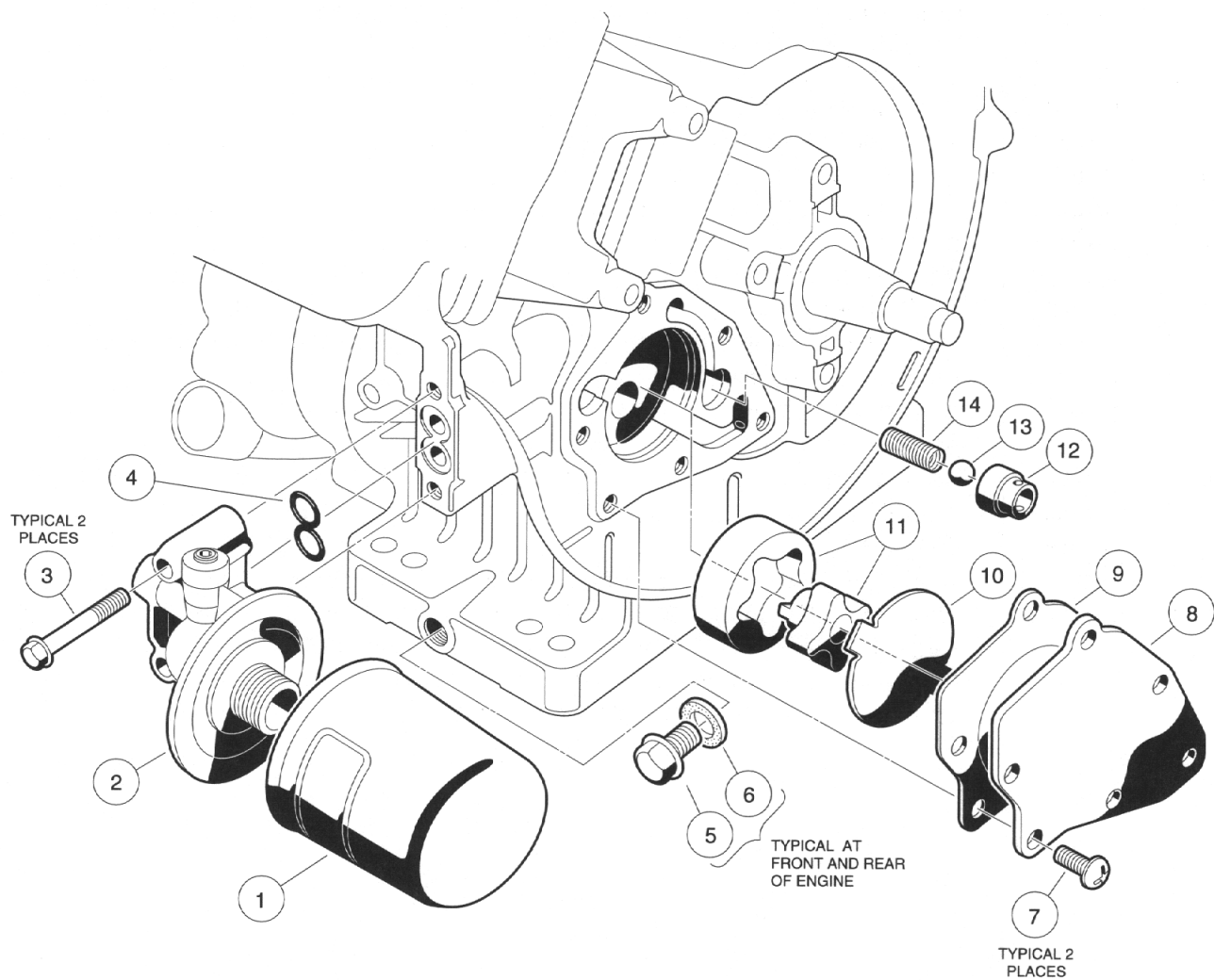
# FE 290 ENGINE

6

G

ITEM	PART NO.	DESCRIPTION	QTY
		1 2 3 4	
1	1016495	FLYWHEEL, COMPLETE .....	1
2	1016548	WASHER, FLAT, 16 MM .....	1
3	1016505	NUT, HEX, M16 x 2 .....	1
4	1016562	KEY .....	1
5	1016455	BOLT, FLANGED, M5 x .8 x 25 MM .....	2
6	101909201	COIL, IGNITION (WITH INTERNAL IGNITER) (FOR VEHICLES SERIAL NUMBER 9624-502638 AND LATER) .....	1
7	1016578	GROMMET .....	1
8	1016588	TUBE, 7 MM x 70 MM .....	1
9	1016493	ASSEMBLY, PLUG CAP .....	1
10	1016111	SPARK PLUG .....	1
11	1016456	BOLT, FLANGED, M6 x 1 x 12 MM .....	2
12	1012981	CLAMP .....	1
13	1016579	BAND, RPM LIMITER MOUNTING .....	1
14	1016586	DAMPER, RPM LIMITER .....	1
15	101909401	LIMITER, RPM (FOR VEHICLES SERIAL NUMBER 9624-502638 AND LATER) .....	1
16	1016445	BRACKET, RPM LIMITER .....	1
17	101909501	CLAMP (FOR VEHICLES SERIAL NUMBER 9624-502638 AND LATER) .....	1
18	1016497	SCREW, CROSS PAN HEAD, M5 x .8 x 8 MM .....	1
19	1016544	SCREW, CROSS PAN HEAD SELF-TAPPING, M5 x .8 x 12 MM .....	1
20	1016561	CLAMP .....	1
21	1016587	CLAMP .....	1
22	101909301	WIRE, LEAD (FOR VEHICLES SERIAL NUMBER 9624-502638 AND LATER) .....	1
23	1016503	WIRE, LEAD (FOR VEHICLES PRIOR TO SERIAL NUMBER 9624-502638) .....	1
24	1016491	IGNITER (FOR VEHICLES PRIOR TO SERIAL NUMBER 9624-502638) .....	1
25	1016492	COIL, IGNITION (FOR VEHICLES PRIOR TO SERIAL NUMBER 9624-502638) .....	1
26	1016511	LIMITER, RPM (FOR VEHICLES PRIOR TO SERIAL NUMBER 9624-502638) .....	1

## FE 290 ENGINE





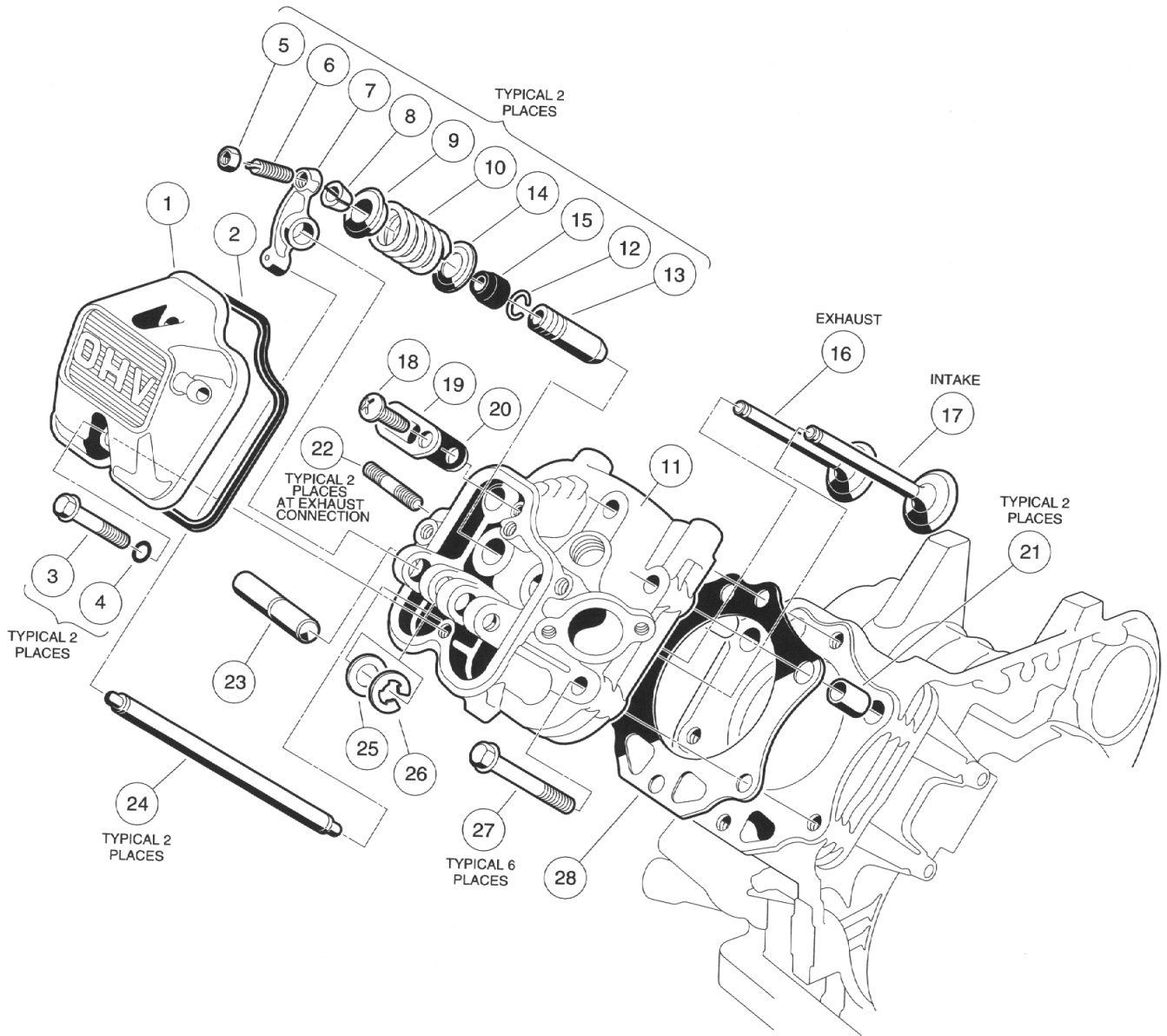
# FE 290 ENGINE

6

G

ITEM	PART NO.	DESCRIPTION	QTY
		1 2 3 4	
1	1016467	ASSEMBLY, OIL FILTER, OHV .....	1
2	1016502	BRACKET, OIL FILTER .....	1
3	1016457	BOLT, FLANGED HEX HEAD, M6 x 1 x 40 MM .....	2
4	1016570	O-RING, OIL FILTER MOUNT .....	1
5	1016576	PLUG, DRAIN, FE 290 .....	2
6	1016432	GASKET, DRAIN PLUG .....	2
7	1016498	SCREW, CROSS PAN HEAD, M6 x 1 x 12 MM .....	6
8	1016484	COVER, PUMP .....	1
9	1016435	GASKET, OIL PUMP .....	1
10	1016473	PLATE, OIL PUMP .....	1
11	101648203	PUMP, OIL, AND ROTOR .....	1
12	1016429	SEAT, VALVE .....	1
13	1016537	BALL, STEEL, PRESSURE RELIEF .....	1
14	1016581	SPRING .....	1

# FE 290 ENGINE



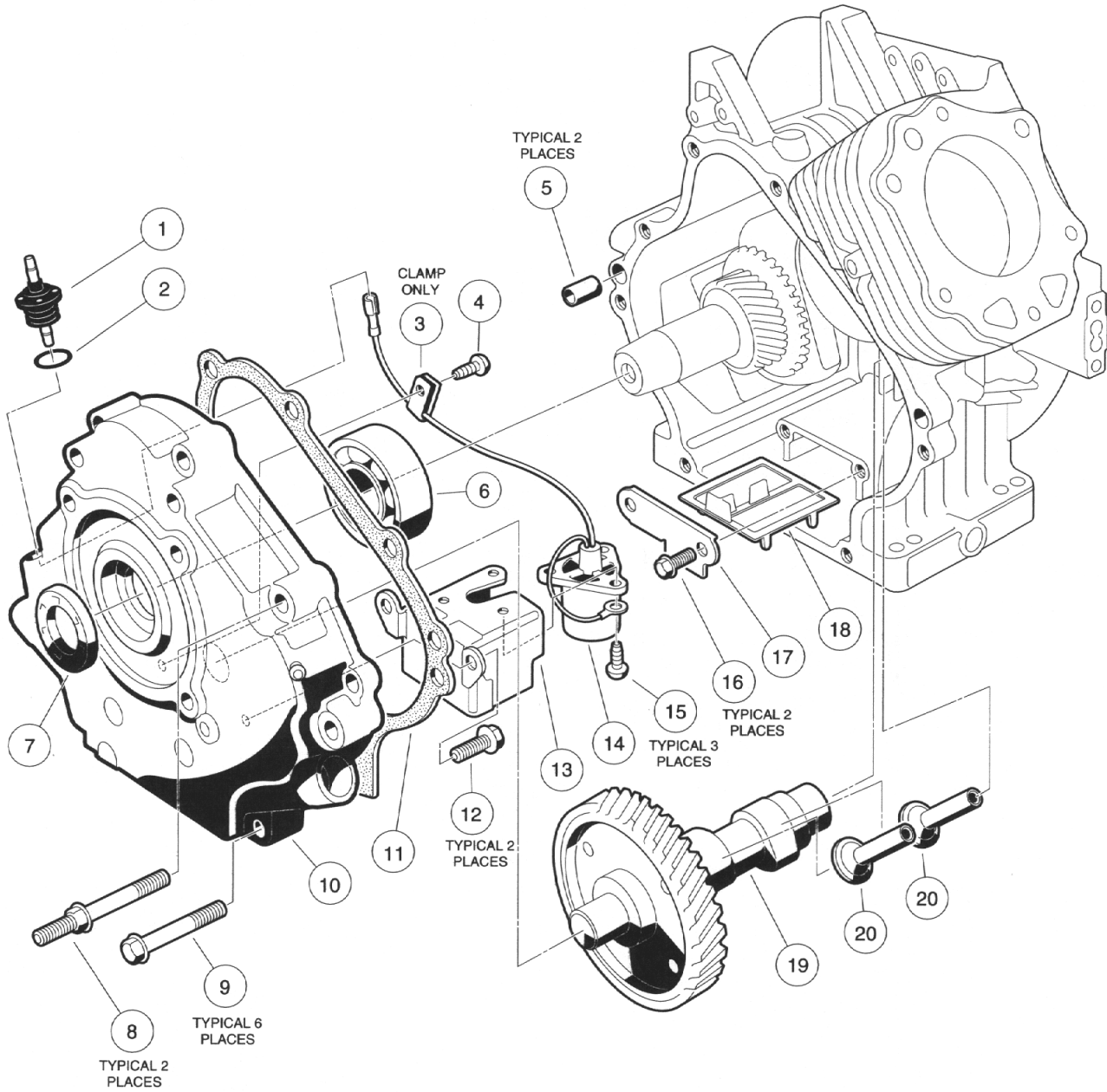
# FE 290 ENGINE

6

G

ITEM	PART NO.	DESCRIPTION	QTY
		1 2 3 4	
1	1016442	CASE, ROCKER .....	1
2	1016436	GASKET, ROCKER CASE .....	1
3	1016583	BOLT, FLANGED, M6 x 1 x 35 MM .....	2
4	1016569	O-RING .....	2
5	1016545	NUT, HEX, M5 x .8 .....	2
6	1016542	SCREW, STUD, M5 x .8 .....	2
7	1016451	ARM, ROCKER .....	2
8	1016450	COLLET .....	2
9	1016449	RETAINER, VALVE SPRING .....	2
10	1016523	SPRING, ENGINE VALVE .....	2
11	1016431	ASSEMBLY, CYLINDER HEAD, OHV (INCLUDES ITEMS 12 AND 13) .....	1
12	1016560	RING, SNAP .....	2
13	1016519	GUIDE, VALVE .....	2
14	1016479	SEAT, SPRING .....	2
15	1016566	SEAL, VALVE .....	2
16	1016448	VALVE, EXHAUST .....	1
17	1016447	VALVE, INTAKE .....	1
18	1016544	SCREW, CROSS PAN HEAD SELF-TAPPING, M5 x .8 x 12 MM .....	1
19	1016474	PLATE .....	1
20	1016483	VALVE .....	1
21	1016563	PIN .....	2
22	1016489	BOLT, STUD, M8 x 1.25 x 29 MM .....	2
23	1016452	SHAFT, ROCKER .....	1
24	1016471	ROD, PUSH .....	2
25	1016549	WASHER, FLAT, M12 .....	1
26	1016517	CIRCLIP, TYPE-E .....	1
27	1016458	BOLT, FLANGED, M8 x 1.25 x 45 MM .....	6
28	1016430	GASKET, HEAD .....	1

FE 290 ENGINE



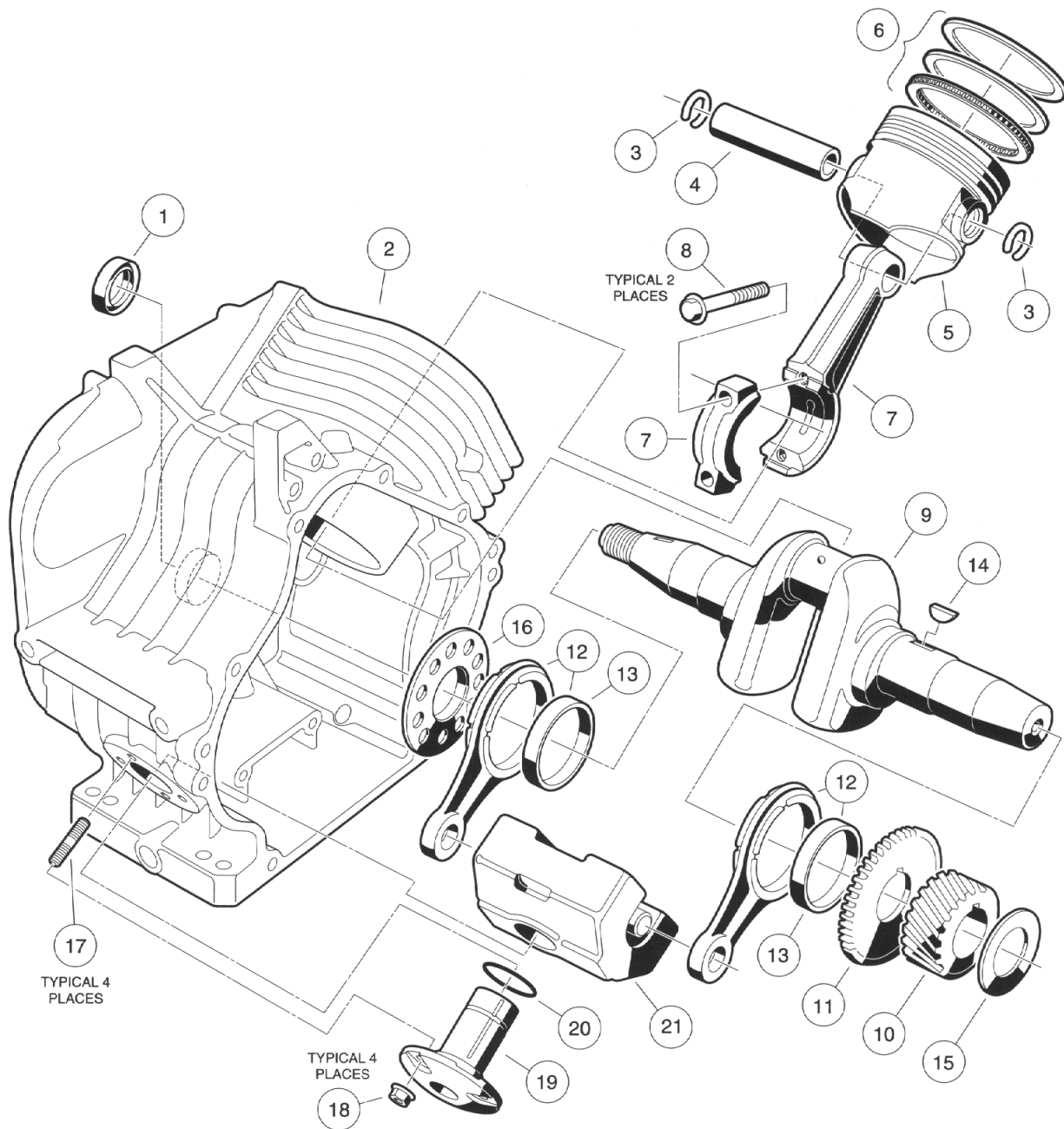
# FE 290 ENGINE

6

G

ITEM	PART NO.	DESCRIPTION	QTY
		1 2 3 4	
1	1016535	CONNECTOR, CORD .....	1
2	1016538	O-RING .....	1
3	1016506	CLAMP .....	1
4	1016544	SCREW, CROSS PAN HEAD SELF-TAPPING, M5 x .8 x 12 MM .....	1
5	1016564	PIN .....	2
6	1016565	BEARING, BALL .....	1
7	1016567	SEAL, CRANKSHAFT .....	1
8	1016584	BOLT, 2-ENDED, M8 x 1.25 x 69 MM .....	2
9	1016458	BOLT, FLANGED, M8 x 1.25 x 45 MM .....	6
10	1016520	COVER, CRANKCASE .....	1
11	1016446	GASKET, CRANKCASE COVER .....	1
12	1016456	BOLT, FLANGED, M6 x 1 x 12 MM .....	2
13	1016510	BRACKET, OIL LEVEL SWITCH .....	1
14	1016494	SENSOR, OIL LEVEL .....	1
15	1016496	SCREW, CROSS PAN HEAD, M4 x .7 x 8 MM .....	3
16	1016454	BOLT, FLANGED, M5 x .8 x 8 MM .....	2
17	1016472	PLATE, OIL FILTER SCREEN .....	1
18	1016521	SCREEN, OIL FILTER .....	1
19	1016528	CAMSHAFT, COMPLETE .....	1
20	1016453	TAPPET .....	2

# FE 290 ENGINE

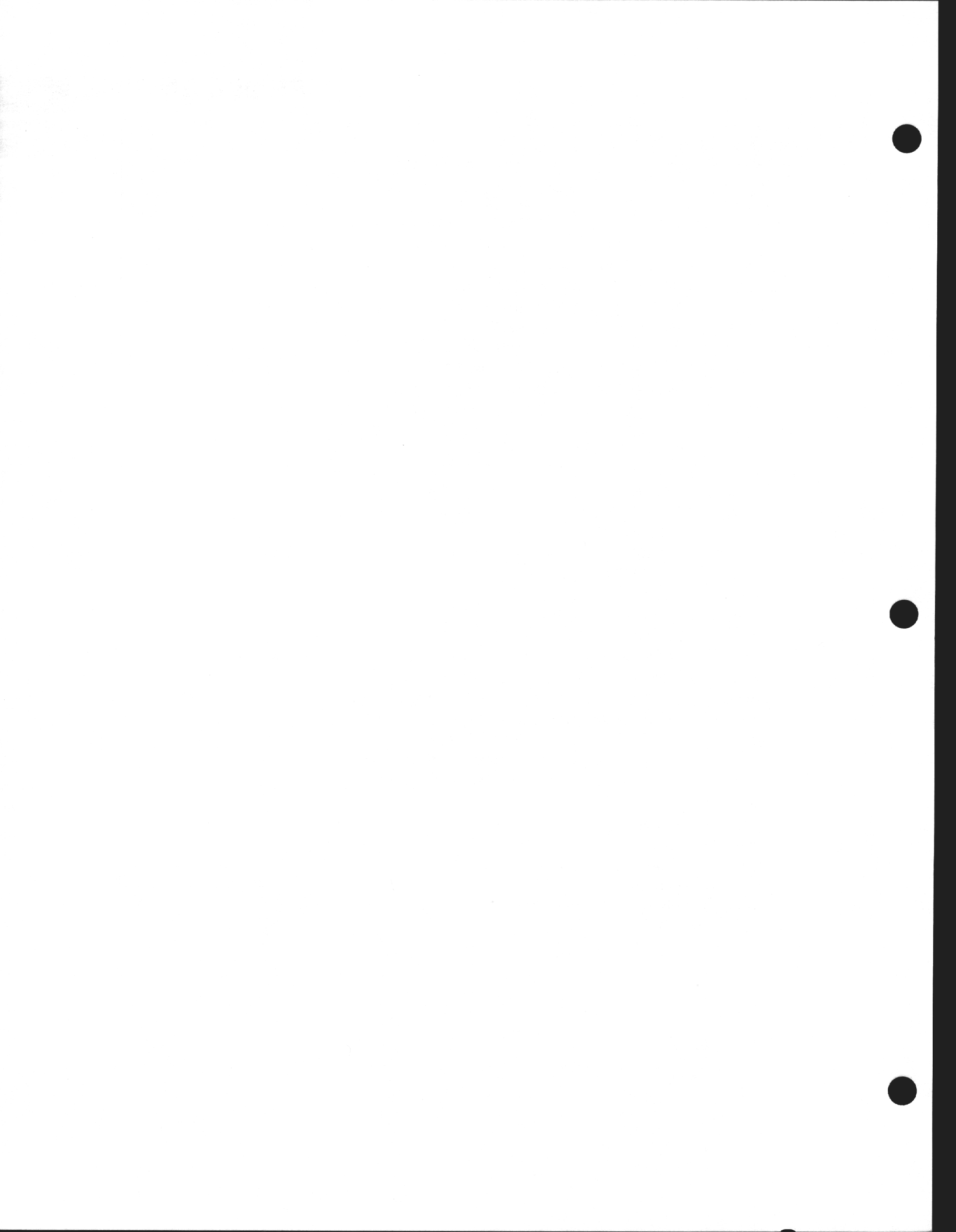


# FE 290 ENGINE

6

G

ITEM	PART NO.	DESCRIPTION	QTY
		1 2 3 4	
1	1016568	SEAL, OIL .....	1
2	1016529	CRANKCASE, COMPLETE, OHV .....	1
3	1016558	RING, SNAP .....	2
4	1016460	PIN, PISTON .....	1
5	101645901	PISTON, STANDARD .....	1
5	101645902	PISTON, .25 MM OVERSIZED .....	1
5	101645903	PISTON, .50 MM OVERSIZED .....	1
6	101646101	RING SET, PISTON, STANDARD .....	1
6	101646102	RING SET, PISTON, .25 MM OVERSIZED .....	1
6	101646103	RING SET, PISTON, .50 MM OVERSIZED .....	1
7	101647501	ASSEMBLY, CONNECTING ROD, STANDARD (INCLUDES 2 EACH OF ITEM 8) .....	1
7	101647502	ASSEMBLY, CONNECTING ROD, .50 MM UNDERSIZED (INCLUDES 2 EACH OF ITEM 8) .....	1
8	1016509	BOLT, HEX HEAD, M7 x 1 x 36 MM .....	2
9	1016468	CRANKSHAFT, OHV (INCLUDES ITEMS 10, 11 AND 12) .....	1
10	1016533	GEAR, HELICAL .....	1
11	1016532	GEAR, SPUR .....	1
12	1016516	ASSEMBLY, CONNECTING ROD (INCLUDES ITEM 13) .....	2
13	1016580	BEARING, PLAIN .....	2
14	1016562	KEY .....	1
15	101655001	SHIM, CRANKSHAFT, 1.13 MM THICK .....	A/R
15	101655002	SHIM, CRANKSHAFT, 1.18 MM THICK .....	A/R
15	101655003	SHIM, CRANKSHAFT, 1.23 MM THICK .....	A/R
15	101655004	SHIM, CRANKSHAFT, 1.28 MM THICK .....	A/R
15	101655005	SHIM, CRANKSHAFT, 1.33 MM THICK .....	A/R
15	101655006	SHIM, CRANKSHAFT, 1.38 MM THICK .....	A/R
15	101655007	SHIM, CRANKSHAFT, 1.43 MM THICK .....	A/R
15	101655008	SHIM, CRANKSHAFT, 1.48 MM THICK .....	A/R
15	101655009	SHIM, CRANKSHAFT, 1.53 MM THICK .....	A/R
16	1016559	SPACER .....	1
17	1016541	BOLT, STUD, M6 x 1 x 22 MM .....	4
18	1016547	NUT, FLANGED, M6 x 1 .....	4
19	1016470	SHAFT, GUIDE COUNTERBALANCE .....	1
20	1016571	O-RING .....	1
21	1016469	WEIGHT, COUNTERBALANCE .....	1



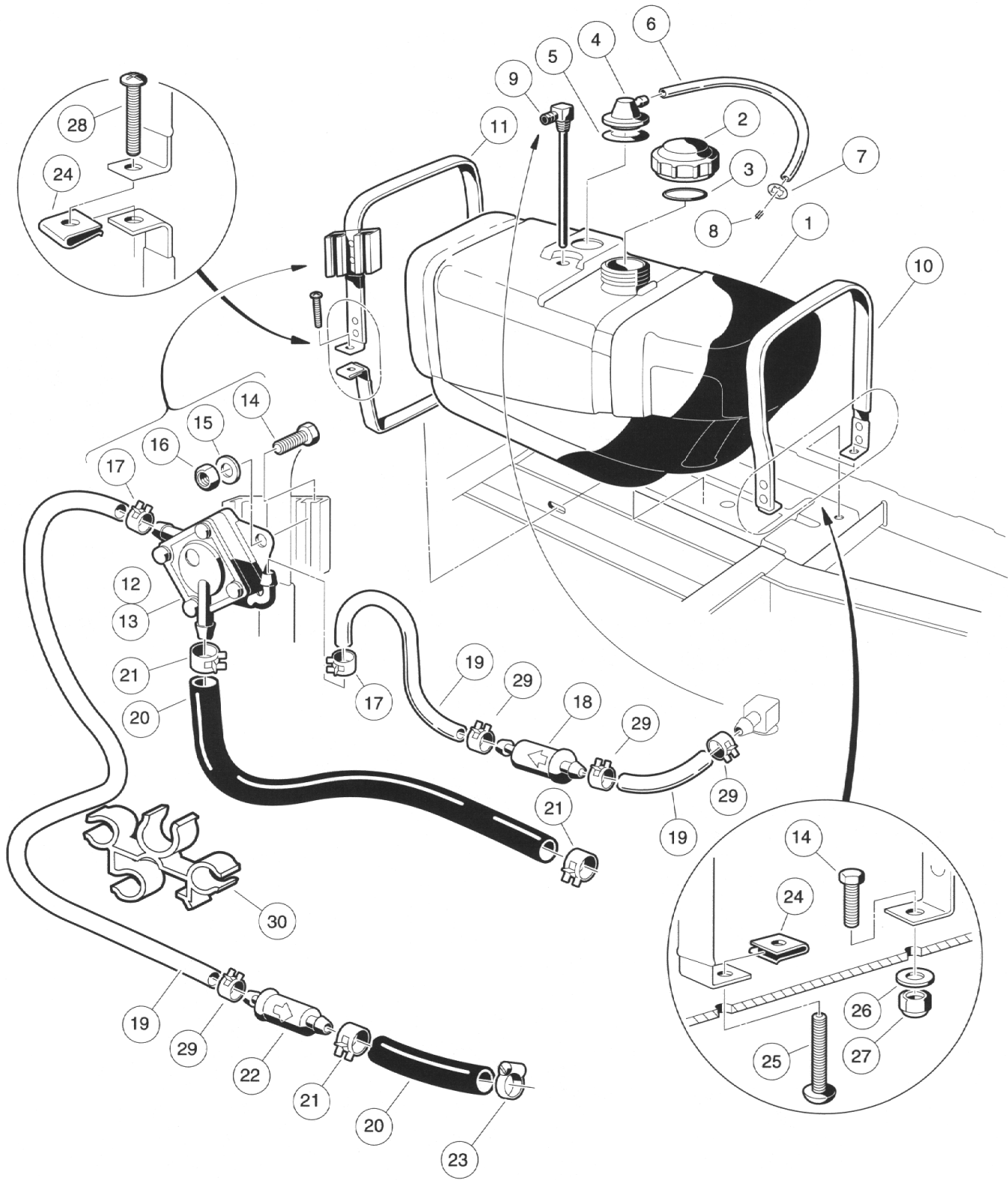


# FUEL, INTAKE, AND GOVERNOR SYSTEMS

---

7

G

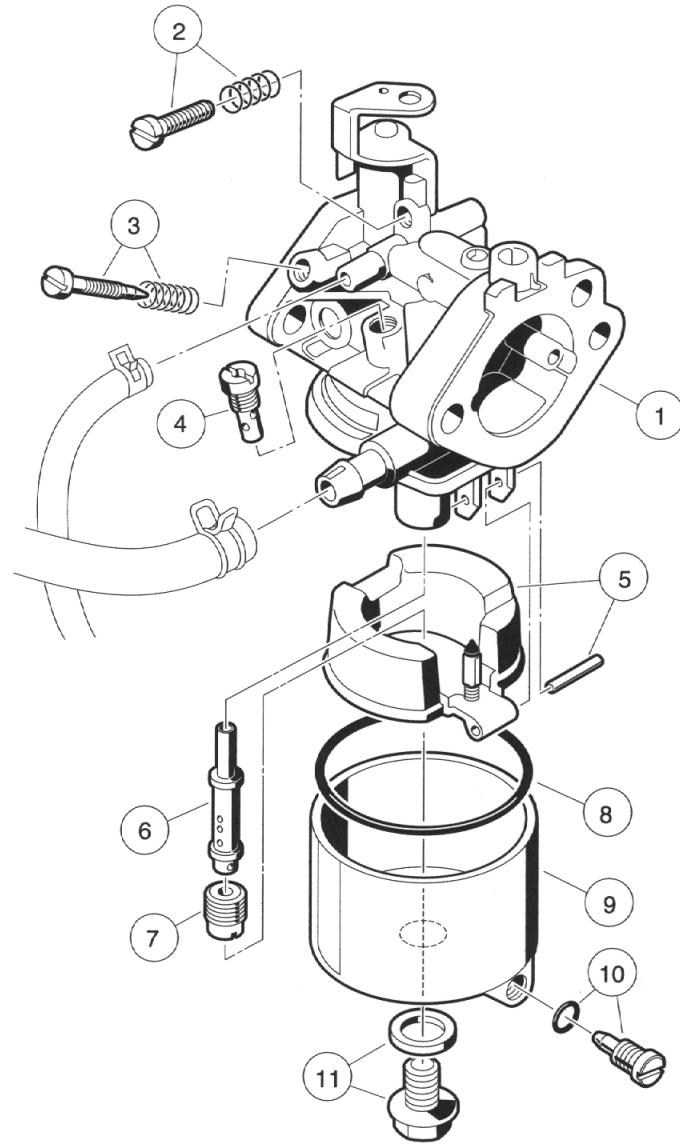


# FUEL SYSTEM

7

G

ITEM	PART NO.	DESCRIPTION	QTY
		1 2 3 4	
1	1016003	KIT, FUEL TANK, (INCLUDES ITEMS 2 - 9) .....	1
2	1015188	CAP, FUEL TANK, NONVENTED (INCLUDES GASKET) .....	1
3	1014535	GASKET, FUEL CAP .....	1
4	1015143	ASSEMBLY, FUEL TANK VENT .....	1
5	1015139	GROMMET, INSULATION .....	1
6	1015137	LINE, BULK (FUEL TANK VENT) .....	A/R
7	1016059	CLIP, STUD .....	1
8	101824401	BARB, VENT .....	1
9	1012619	TUBE, FUEL PICK-UP .....	1
10	1014928	ASSEMBLY, REAR FUEL STRAP .....	1
11	1014927	ASSEMBLY, FRONT FUEL STRAP .....	1
12	1014523	PUMP, FUEL IMPULSE, SQUARE BODY .....	1
13	1014524	PUMP, FUEL IMPULSE, SQUARE BODY REBUILD KIT .....	1
14	7847	SCREW, HEX HEAD CAP, 1/4 - 20 x 3/4 .....	3
15	451	WASHER, LOCK, 1/4 .....	2
16	1028	NUT, HEX, 1/4 - 20 .....	2
17	101313401	CLAMP, HOSE (BLACK) .....	2
18	1013684	FILTER , PRIMARY FUEL (WHITE) .....	1
19	1012293	LINE, BULK FUEL (YELLOW) .....	A/R
20	1013692	LINE, BULK FUEL (BLACK) .....	A/R
21	1012649	CLAMP, HOSE (RED) .....	3
22	1014522	FILTER, SECONDARY FUEL (BLUE) .....	1
23	1013687	CLAMP, HOSE, 3/8 .....	1
24	1014116	NUT, U-TYPE SPEED, 1/4 - 20 .....	2
25	1013176	SCREW, PHILLIPS TRUSS HEAD, 1/4 - 20 x 2 1/2 .....	1
26	332	WASHER, FLAT, 1/4 .....	1
27	8233	NUT, NYLON LOCK, 1/4 - 20 .....	1
28	1011988	SCREW, PHILLIPS TRUSS HEAD, 1/4 - 20 x 2 .....	1
29	101313402	CLAMP, HOSE (GREEN) .....	4
30	1016666	CLIP, BLACK FUEL .....	2
	1015014	KIT, FUEL TANK SERVICE (INCLUDES ITEMS 10, 11, 14, 15, 16, 19, 20, 24, 26, 27 AND 28) .....	A/R

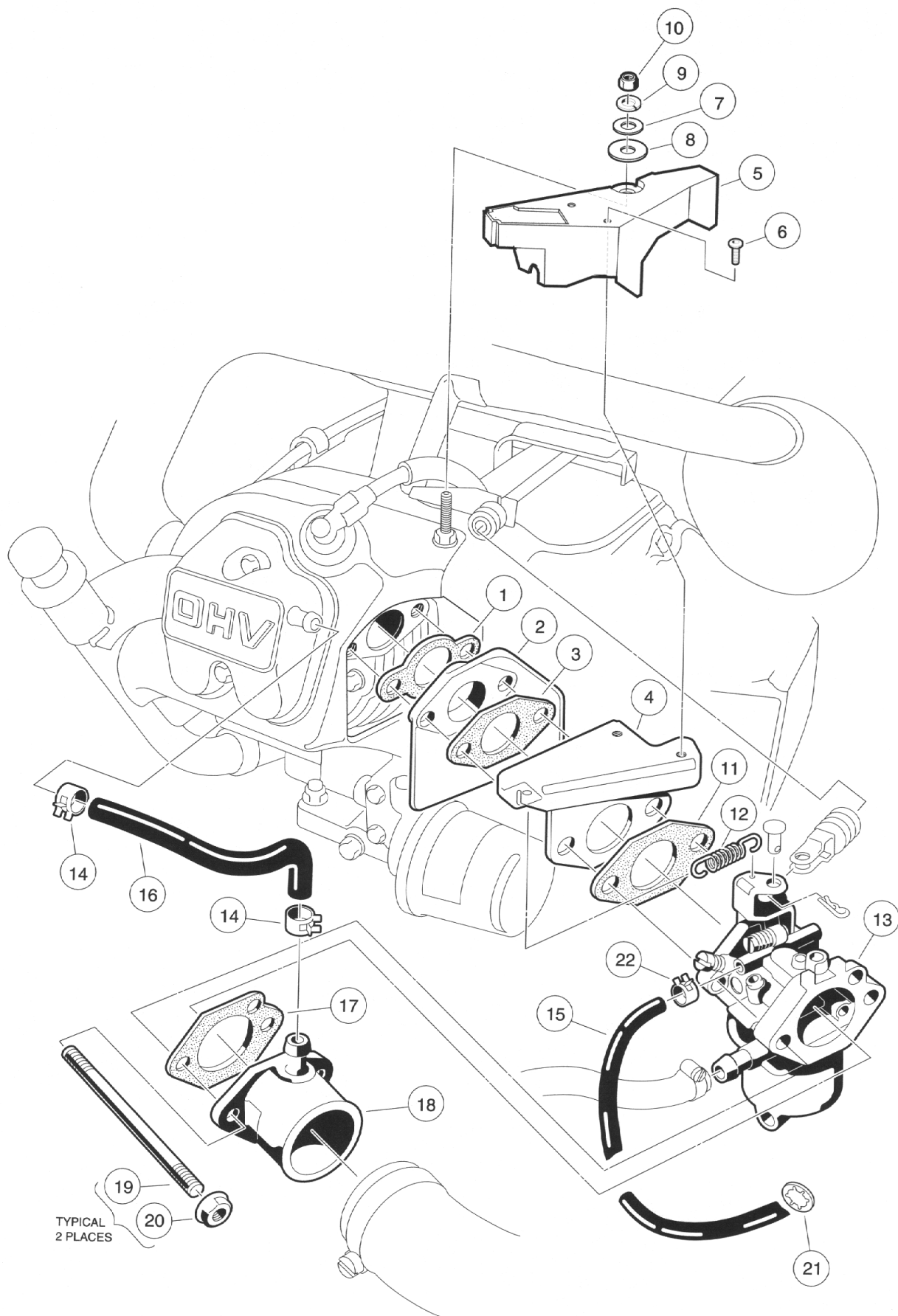


# CARBURETOR ASSEMBLY

7

G

ITEM	PART NO.	DESCRIPTION	QTY
		1 2 3 4	
1	1016478	ASSEMBLY, CARBURETOR (INCLUDES ITEMS 2 - 11) .....	1
2	1016501	ASSEMBLY, IDLE SCREW .....	1
3	1016500	ASSEMBLY, PILOT AIR SCREW .....	1
4	1016574	JET, PILOT, #45 .....	1
5	1016486	ASSEMBLY, FLOAT .....	1
6	1016530	NOZZLE, MAIN .....	1
		STANDARD JETTING:	
7	101642580	JET, MAIN, 0 - 3,000 FEET .....	A/R
7	101642578	JET, MAIN, 3,000 - 5,000 FEET .....	A/R
7	101642575	JET, MAIN, 5,000 - 8,000 FEET .....	A/R
7	101642572	JET, MAIN, 8,000 - 10,000 FEET .....	A/R
7	101642570	JET, MAIN, 10,000 FEET AND ABOVE .....	A/R
		BEST COLD STARTING:	
7	101642582	JET, MAIN, 0 - 3,000 FEET .....	A/R
7	101642580	JET, MAIN, 3,000 - 5,000 FEET .....	A/R
7	101642578	JET, MAIN, 5,000 - 8,000 FEET .....	A/R
7	101642575	JET, MAIN, 8,000 - 10,000 FEET .....	A/R
7	101642572	JET, MAIN, 10,000 FEET AND ABOVE .....	A/R
8	1016437	GASKET, FLOAT CHAMBER .....	1
9	1016487	ASSEMBLY, FLOAT CHAMBER (INCLUDES ITEM 10) .....	1
10	1016499	ASSEMBLY, SCREW .....	1
11	1016585	ASSEMBLY, BOLT .....	1

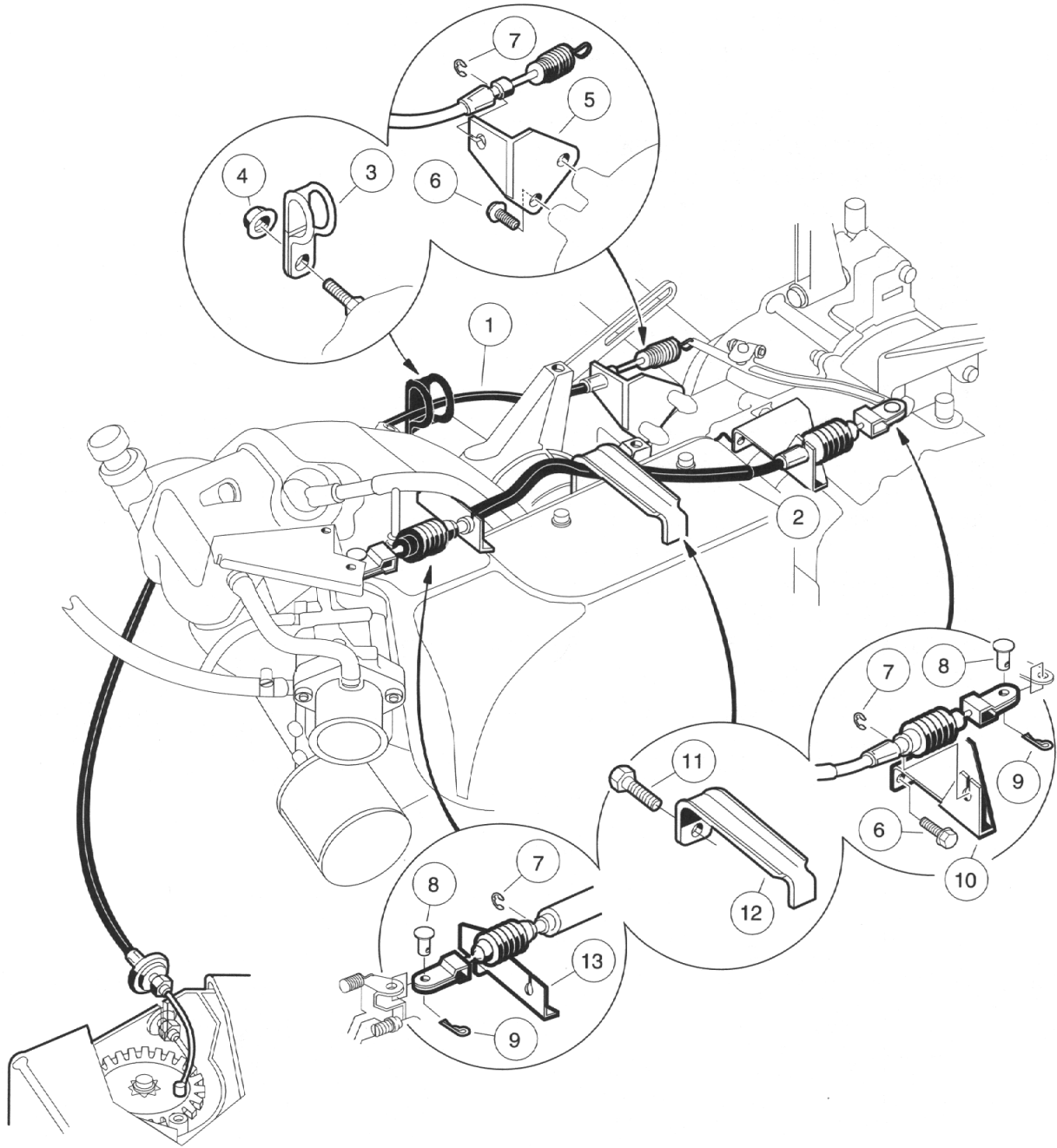


# CARBURETOR INSTALLATION

7

G

ITEM	PART NO.	DESCRIPTION	QTY
		1 2 3 4	
1	1016440	GASKET, INSULATOR .....	1
2	1016481	INSULATOR, CARBURETOR .....	1
3	1016439	GASKET, CARBURETOR INSULATOR TO THROTTLE BRACKET .....	1
4	1016444	BRACKET, THROTTLE .....	1
5	101820201	GUARD, GOVERNOR .....	1
6	1016103	SCREW, PAN/TORX HEAD SELF-TAPPING, #6 - 32 x 1/4 .....	2
7	332	WASHER, FLAT, 1/4 .....	1
8	334	WASHER, FLAT, 3/8 .....	1
9	451	WASHER, LOCK, 1/4 .....	1
10	101887601	NUT, NYLON LOCK, M6 x 1 .....	1
11	1016441	GASKET, THROTTLE BRACKET TO CARBURETOR .....	1
12	1016582	SPRING, THROTTLE RETURN .....	1
13	1016478	ASSEMBLY, CARBURETOR .....	1
14	1017466	CLAMP, HOSE .....	2
15	101587701	TUBE, AIR VENT .....	1
16	1016572	TUBE, CRANKCASE VENT .....	1
17	1016438	GASKET, CARBURETOR TO INTAKE MANIFOLD .....	1
18	1016480	PIPE, INTAKE .....	1
19	1016490	SCREW, 2-ENDED STUD, M6 x 1 x 92 MM .....	2
20	1016547	NUT, FLANGED, M6 x 1 .....	2
21	1016059	CLIP, STUD .....	1
22	1013746	CLAMP, HOSE .....	1



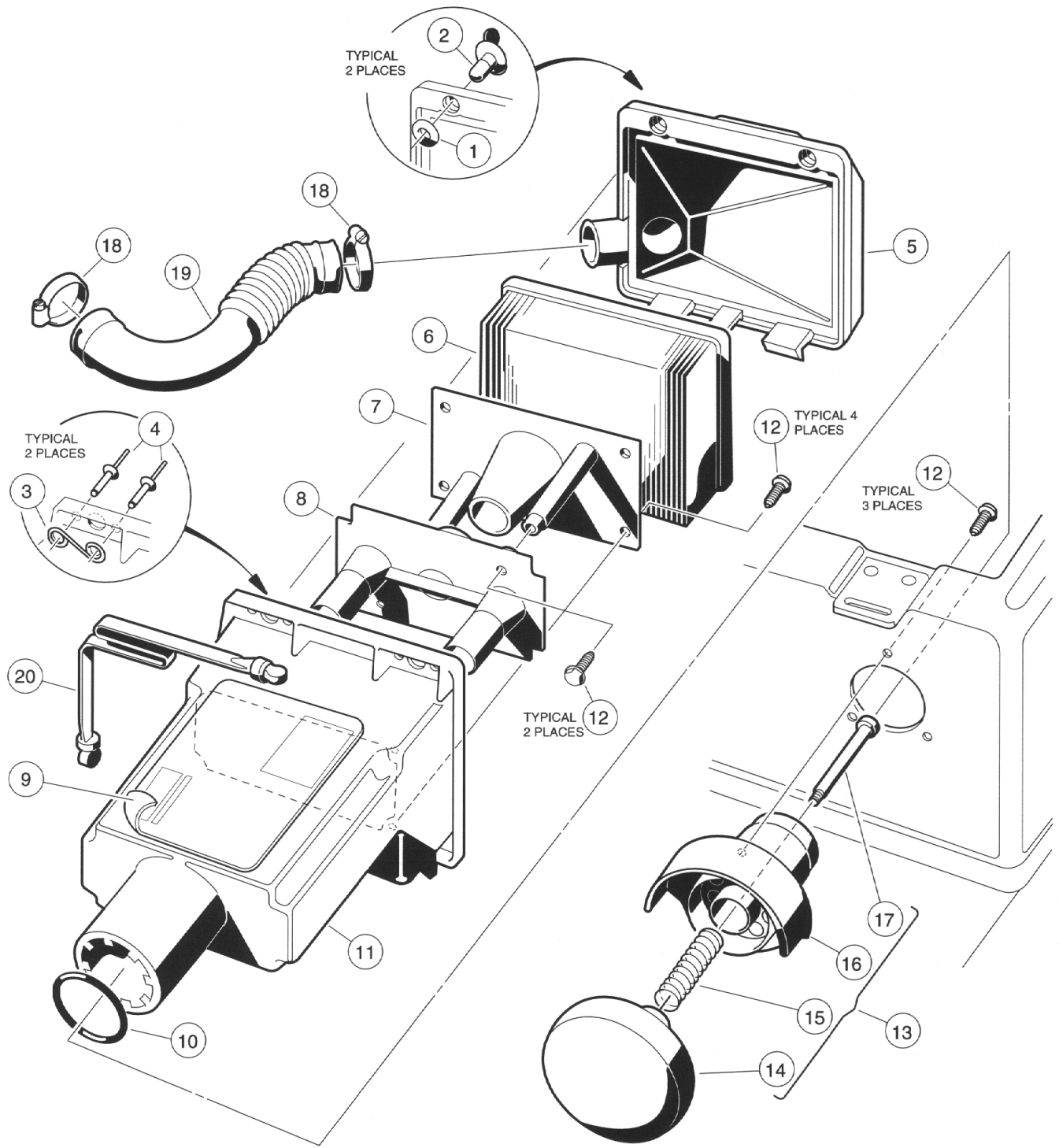


# GOVERNOR AND ACCELERATOR CABLES

7

G

ITEM	PART NO.	DESCRIPTION	QTY
		1 2 3 4	
1	1015225	CABLE, ACCELERATOR .....	1
2	101522601	CABLE, GOVERNOR .....	1
3	1013700	CLAMP, CABLE RETAINING .....	2
4	1016546	NUT, FLANGED HEX, M8 x 1.25 .....	2
5	1015410	BRACKET, ACCELERATOR SUPPORT .....	1
6	1012285	SCREW, THREAD-ROLLING, 1/4 - 20 x 5/8 .....	4
7	1016202	"E" RING .....	3
8	1015408	PIN, GOVERNOR CABLE CLEVIS .....	2
9	1014413	PIN, HAIR SPRING COTTER, 1/8 I.D. x 5/8 .....	2
10	1015411	BRACKET, SUPPORT .....	1
11	1016456	BOLT, FLANGED, M6 x 1 x 12 MM.....	1
12	1016057	CLAMP, GOVERNOR CABLE .....	1
13	1015845	BRACKET, GOVERNOR CABLE ENGINE .....	1



# EXPANSION CHAMBER, CHOKE, AND FILTER

7

G

ITEM	PART NO.	DESCRIPTION	QTY
		1 2 3 4	
	1015431	ASSEMBLY, INTAKE EXPANSION CHAMBER (INCLUDES ITEMS 1 - 12) .....	1
1	1015291	RETAINER, STUD, #6 .....	2
2	1015290	STUD, WING HEAD, #6 .....	2
3	1015292	SPRING, RECEPTACLE, #6 .....	2
4	1015727	RIVET, POP, 1/8 .....	4
5	1015293	COVER, EXPANSION CHAMBER .....	1
6	1015426	ELEMENT, AIR FILTER .....	1
7	1015542	BAFFLE, SECONDARY AIR BOX .....	1
8	1015541	BAFFLE, PRIMARY AIR BOX .....	1
9	1016062	DECAL, SERVICE .....	1
10	1015425	O-RING .....	1
11	1015540	CHAMBER, EXPANSION .....	1
12	1015289	SCREW, HI-LO HEX, #10 - 16 x 5/8 .....	9
13	1015745	ASSEMBLY, CHOKE (INCLUDES ITEMS 14 - 17) .....	1
14	1012629	COVER, CHOKE .....	1
15	1012633	SPRING, CHOKE .....	1
16	1015485	BASE, CHOKE .....	1
17	1012634	SCREW, HEX SOCKET HEAD SHOULDER, 1/4 - 20 x 2 .....	1
18	1015430	CLAMP, HOSE (AIR INTAKE) .....	2
19	1016228	HOSE, INTAKE .....	1
20	1015577	STRAP, EXPANSION CHAMBER RETENSION .....	1

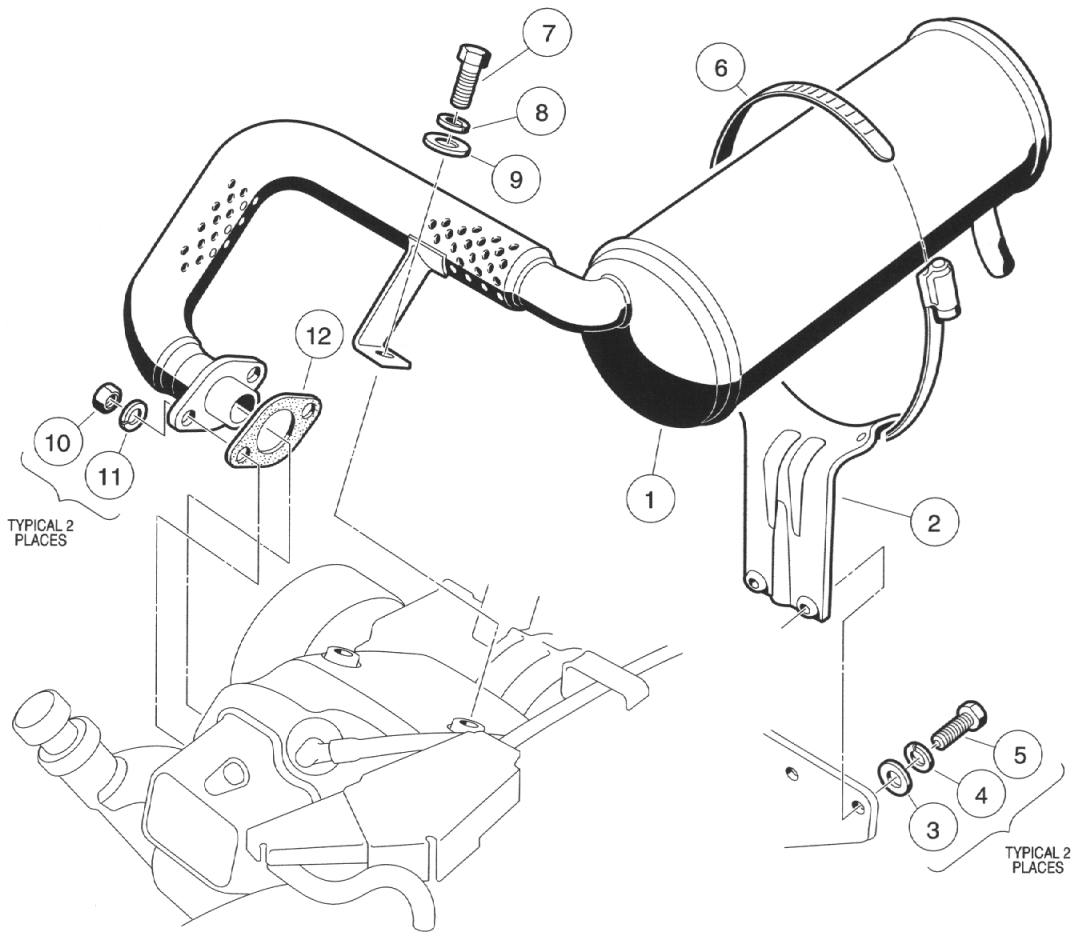


# EXHAUST SYSTEM

---

8

G



# EXHAUST SYSTEM

8

G

ITEM	PART NO.	DESCRIPTION	QTY
		1 2 3 4	
1	101859301	SYSTEM, EXHAUST .....	1
2	1015814	BRACKET, MUFFLER MOUNTING .....	1
3	332	WASHER, FLAT, 1/4 .....	2
4	451	WASHER, LOCK, 1/4 .....	2
5	7847	SCREW, HEX HEAD, 1/4 - 20 x 3/4 .....	2
6	1017689	CLAMP, MUFFLER .....	1
7	101903501	SCREW, HEX HEAD CAP, M8 X 1.25 x 24 MM .....	1
8	7174	WASHER, LOCK, 5/16 .....	1
9	1011697	WASHER, FLAT, 5/16 .....	1
10	1012528	NUT, HEX, M8 x 1.25 .....	2
11	1013734	WASHER, LOCK, 8MM .....	2
12	1015330	GASKET, EXHAUST .....	1



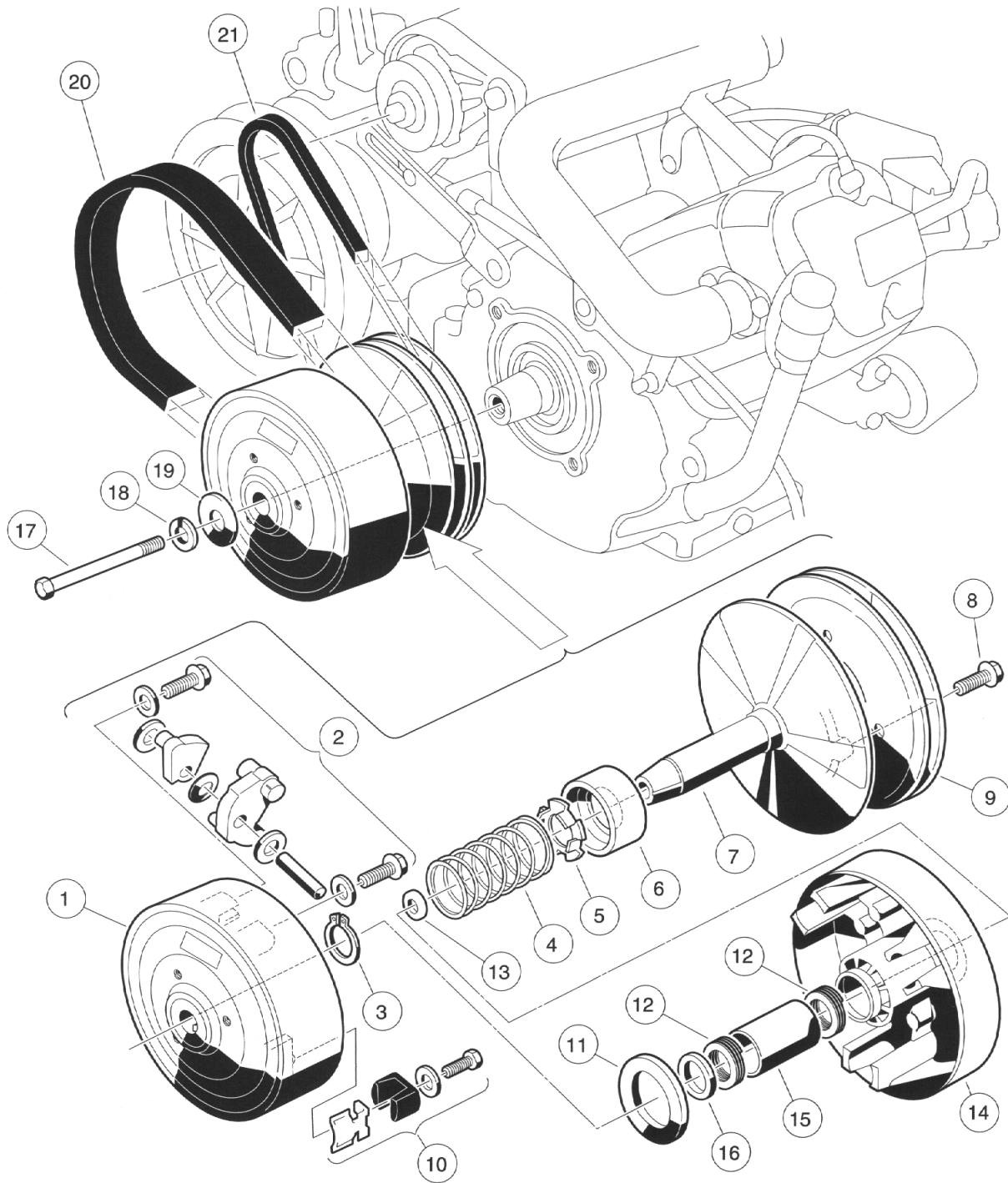


# TORQUE CONVERTER

---

9

G

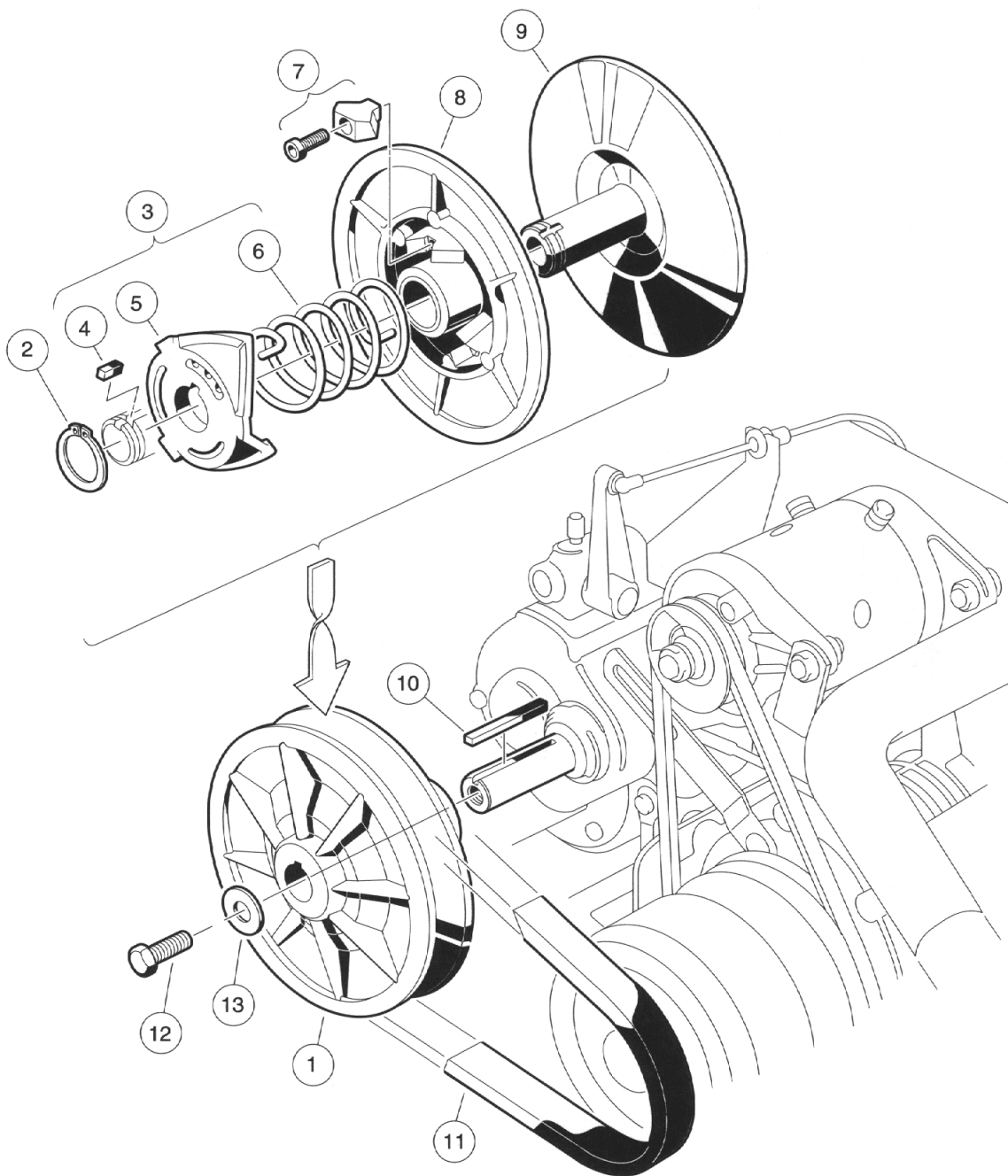


# DRIVE CLUTCH

9

G

ITEM	PART NO.	DESCRIPTION	QTY
		1 2 3 4	
	101637802	ASSEMBLY, DRIVE CLUTCH (INCLUDES ITEMS 1 - 16) .....	1
1	1014059	ASSEMBLY, DRIVE HUB .....	1
2	1016801	KIT, DRIVE CLUTCH WEIGHT .....	1
3	1014057	RING, RETAINING .....	1
4	1014051	SPRING, DRIVE CLUTCH .....	1
5	1014050	SPRING, RETAINER .....	1
6	1014049	BEARING, IDLER .....	1
7	101738301	ASSEMBLY, FIXED FACE (INCLUDES ITEMS 8 AND 9) .....	1
8	N/A	SCREW, WASHER HEAD HEX MACHINE .....	3
9	N/A	PULLEY .....	1
10	1014453	KIT, DRIVE CLUTCH BUTTON .....	1
11	1014058	WASHER, THRUST .....	1
12	1014056	RING, SPIRAL BACK-UP .....	2
13	1016289	SPACER, FIXED FACE SHAFT .....	1
14	1014052	ASSEMBLY, MOVABLE FACE (INCLUDES ITEMS 15 AND 16) .....	1
15	N/A	BUSHING .....	1
16	1014055	RETAINER .....	1
17	1012441	SCREW, HEX HEAD CAP, 3/8 - 24 x 5 1/2 .....	1
18	357	WASHER, LOCK, 3/8 .....	1
19	808	WASHER, FLAT, 3/8 .....	1
20	1016203	BELT, DRIVE .....	1
21	1015241	BELT, STARTER/GENERATOR .....	1

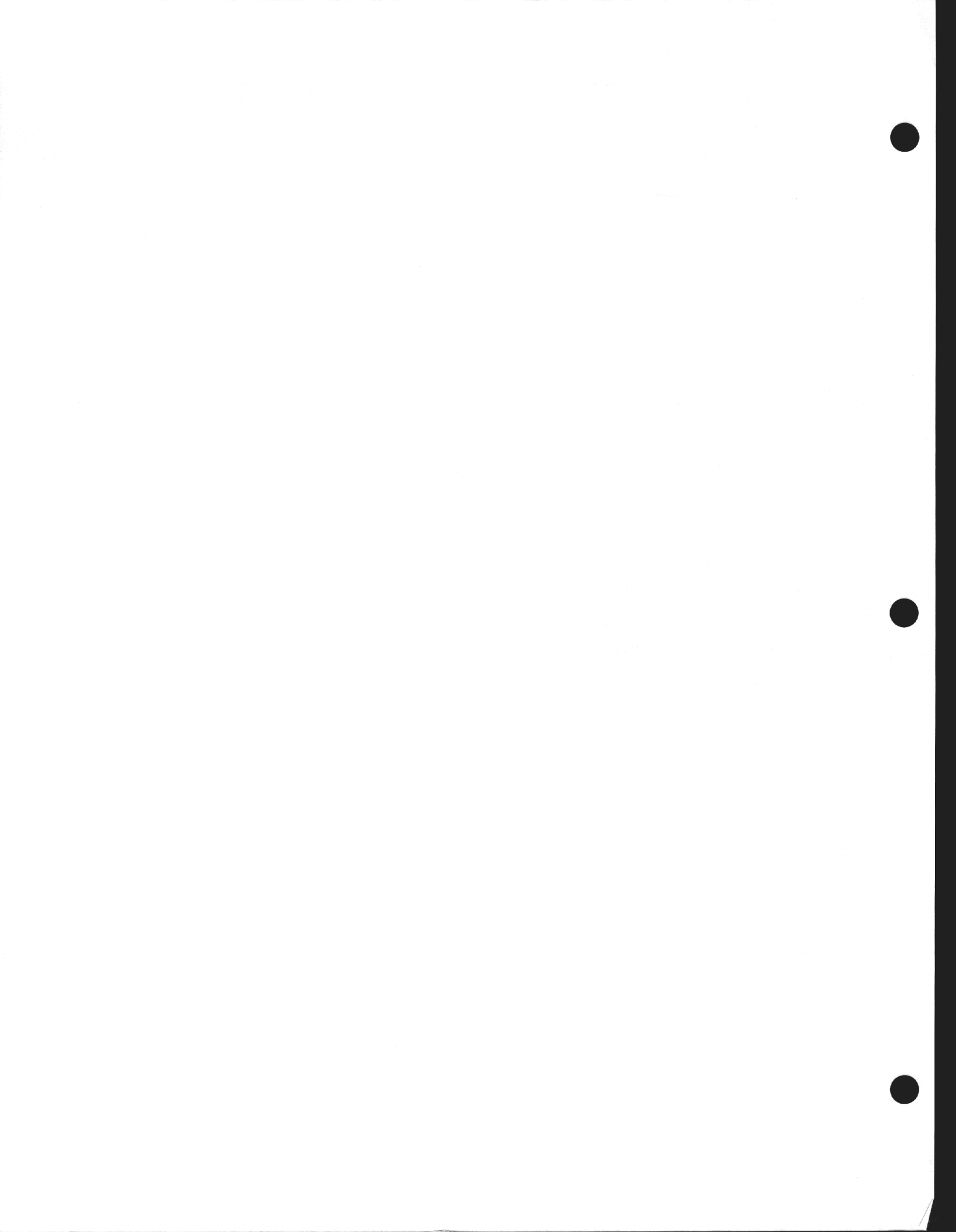


# DRIVEN CLUTCH

9

G

ITEM	PART NO.	DESCRIPTION	QTY
		1 2 3 4	
1	101636001	ASSEMBLY, DRIVEN CLUTCH (INCLUDES ITEMS 2 - 9) .....	1
2	1014080	RING, RETAINING .....	1
3	1017755	KIT, CAM (INCLUDES ITEMS 4, 5 AND 6) .....	1
4	1014078	KEY .....	1
5	N/A	CAM .....	1
6	N/A	SPRING .....	1
7	1014454	KIT, BUTTON .....	1
8	1014072	ASSEMBLY, MOVEABLE FACE, WITH BUSHING .....	1
9	1014070	ASSEMBLY, FIXED FACE .....	1
10	1012455	KEY, SQUARE TRANSMISSION .....	1
11	1016203	BELT, DRIVE .....	1
12	7173	SCREW, HEX HEAD CAP, 5/16 - 18 x 3/4 .....	1
13	1017327	WASHER, MOUNTING .....	1

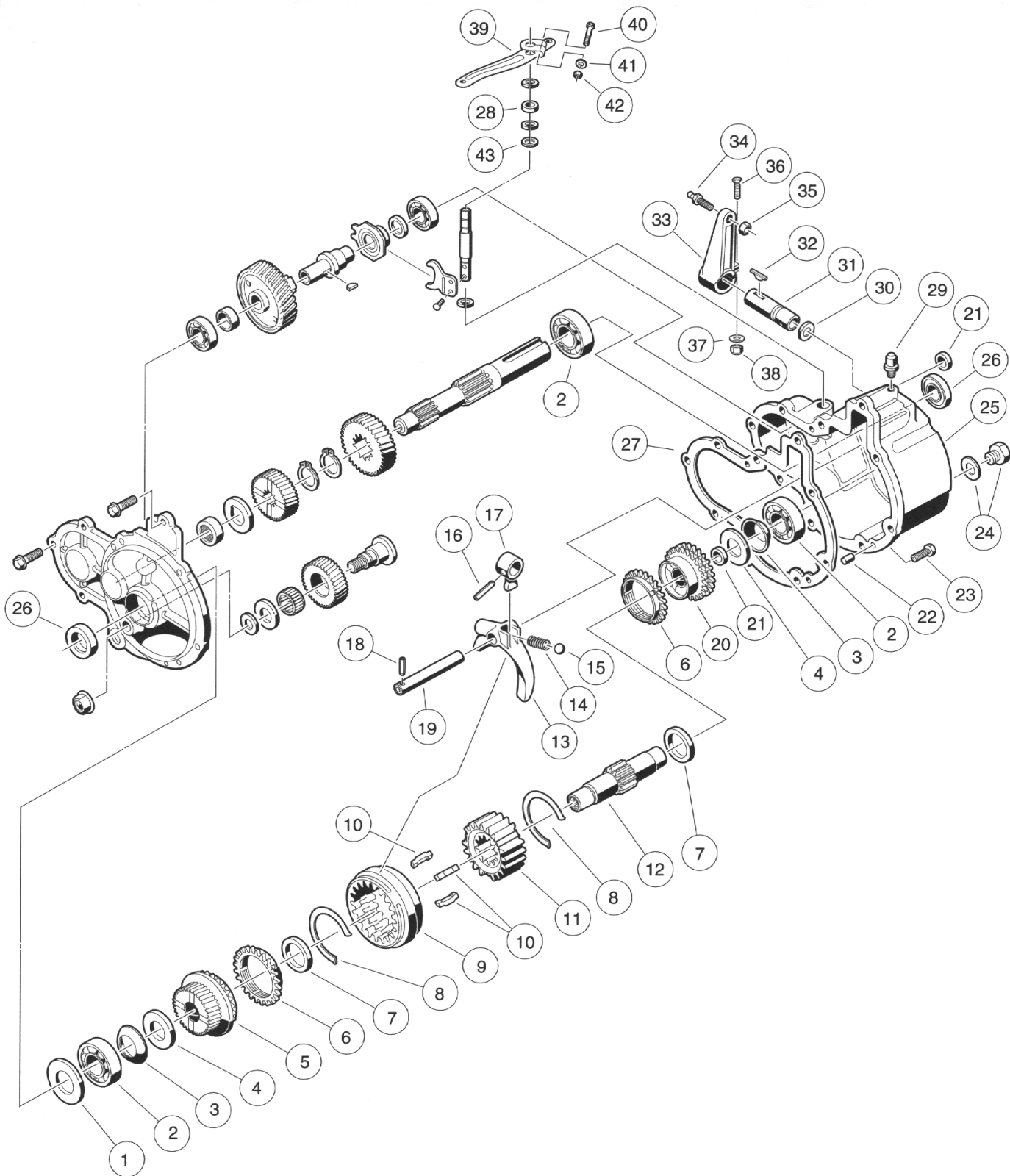


**TRANSMISSION**

---

**10**

**G**



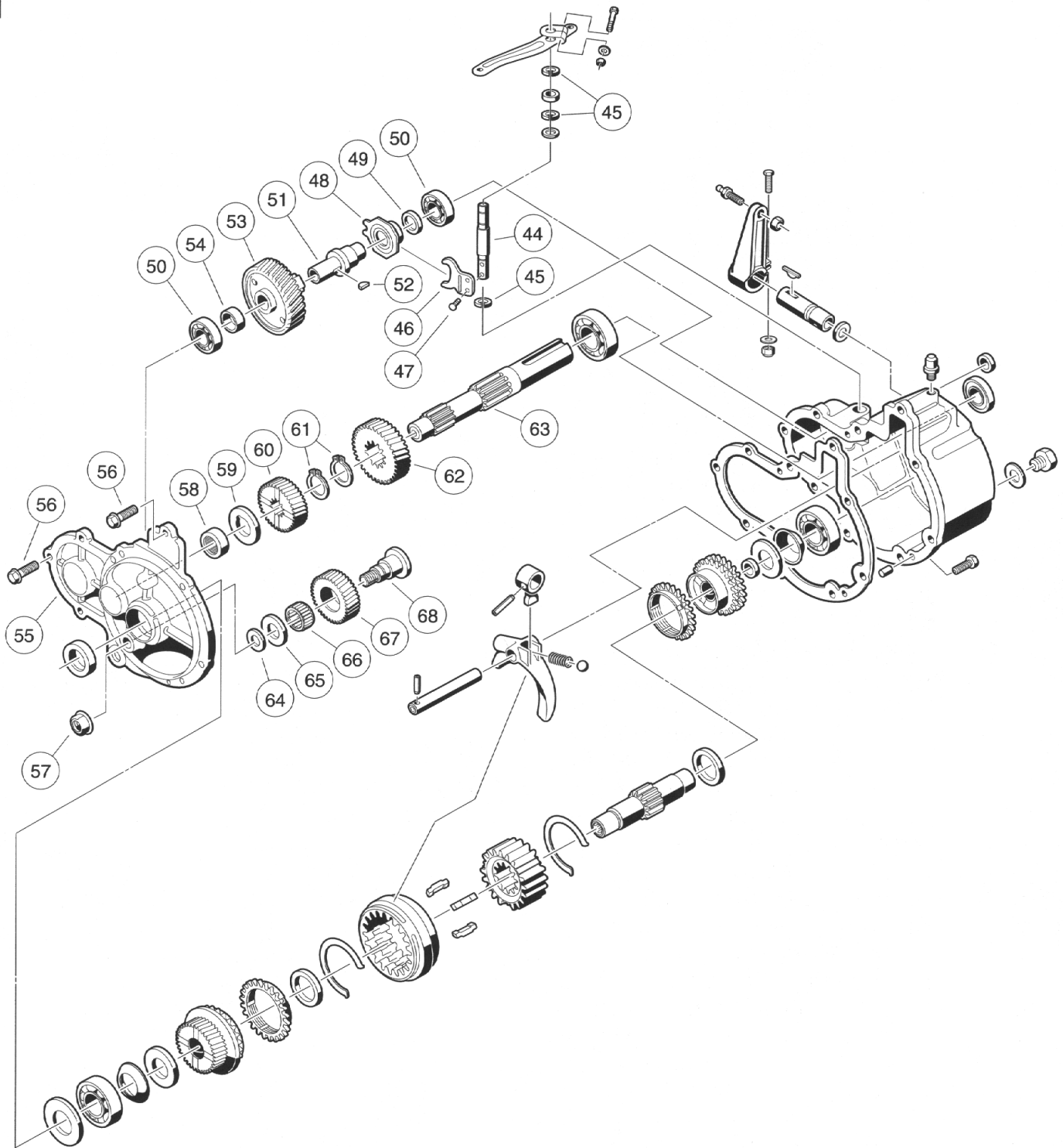


# TRANSMISSION

10

G

ITEM	PART NO.	DESCRIPTION	QTY
		1 2 3 4	
	1015747	TRANSMISSION .....	1
1	1012783	SHIM, 0.2MM .....	A/R
1	1012784	SHIM, 0.1MM .....	A/R
2	7336	BEARING, BALL .....	3
3	1016338	WASHER, SPRING .....	2
4	1016337	WASHER, THRUST .....	2
5	1012737	ASSEMBLY, GEAR, 34 TOOTH .....	1
6	1012742	RING, SYNCHRONIZER .....	2
7	1012743	WASHER, THRUST .....	2
8	1012741	SPRING, SYNCHRONIZER .....	2
9	1012739	SLEEVE, CLUTCH .....	1
10	1012740	INSERT, SYNCHRONIZER .....	3
11	1012738	HUB, CLUTCH .....	1
12	1012734	SHAFT, OUTPUT .....	1
13	1012746	ARM, SLEEVE SHIFT .....	1
14	1012748	SPRING, SHIFTER .....	1
15	1012747	BALL, SHIFTER .....	1
16	1012752	PIN, ROLL .....	1
17	1012750	LEVER, SHIFTER ARM, INSIDE .....	1
18	1012749	PIN, ROLL .....	1
19	1012745	ROD, SHIFT .....	1
20	1016591	ASSEMBLY, GEAR, 28 TOOTH .....	1
21	1012735	PLUG .....	2
22	1012710	PIN, DOWEL .....	2
23	1012719	SCREW, HEX HEAD CAP, M6 x 1 x 14 MM .....	1
24	1013759	PLUG, FILL, WITH GASKET .....	1
25	1013960	CASE, GEAR, WITHOUT LOCKOUT OPENING .....	1
26	1012714	SEAL, OIL .....	2
27	1012717	GASKET, CASE .....	1
28	1012767	SEAL, OIL .....	1
29	1012711	BREATHER .....	1
30	1012754	O-RING .....	1
31	1012751	SHAFT, SHIFTER .....	1
32	1017231	KEY, WOODRUFF .....	1
33	1016341	LEVER, TRANSMISSION SHIFTER .....	1
34	1010954	STUD, BALL, 1/4 - 28 x 9/16 .....	1
35	8717	NUT, NYLON LOCK, 1/4 - 28 .....	1
36	1017082	SCREW, HEX WASHER HEAD, #10 - 32 x 3/4 .....	1
37	183	WASHER, FLAT, #10 .....	1
38	1013061	NUT, NYLON LOCK, #10 - 32 .....	1
39	1015710	ARM, GOVERNOR LEVER .....	1
40	1016686	BOLT, HEX, M6 x 1 x 28 MM .....	1
41	1016513	WASHER, FLAT, M6 .....	1
42	1012919	NUT, M6 x 1 .....	1
43	1012765	WASHER, FLAT, M8 .....	1



# TRANSMISSION

10

G

ITEM	PART NO.	DESCRIPTION	QTY
		1 2 3 4	
44	1012762	SHAFT, GOVERNOR ARM .....	1
45	1012766	RING, SNAP .....	3
46	1012763	ARM, GOVERNOR, INTERNAL .....	1
47	1012764	SCREW, M4 x .7 x 6 MM .....	2
48	1012757	SLEEVE, GOVERNOR .....	1
49	1012758	SPACER, THIN .....	1
50	1012761	BEARING, BALL .....	2
51	1012756	SHAFT, GOVERNOR .....	1
52	1012760	KEY, GOVERNOR SHAFT .....	1
53	1012755	GEAR, GOVERNOR, 41 TOOTH .....	1
54	1012759	SPACER, THICK .....	1
55	1016592	COVER .....	1
56	1012718	SCREW, HEX HEAD CAP, M6 x 1 x 20 MM .....	4
57	1012733	NUT, FLANGE, M8 x 1.75 .....	1
58	1012716	BEARING, NEEDLE .....	1
59	1012723	WASHER, THRUST, 3.0 MM .....	A/R
59	1012724	WASHER, THRUST, 3.3 MM (WHITE) .....	A/R
59	1012725	WASHER, THRUST, 3.6 MM (YELLOW) .....	A/R
60	1012722	GEAR, 33 TOOTH .....	1
61	1012727	RING, SNAP .....	2
62	1016594	GEAR, 29 TOOTH .....	1
63	1012720	SHAFT, INPUT .....	1
64	1012732	O-RING .....	1
65	1012730	WASHER, THRUST .....	1
66	1012731	BEARING, NEEDLE .....	1
67	1012729	GEAR, REVERSE IDLER .....	1
68	1012728	SHAFT, IDLER .....	1

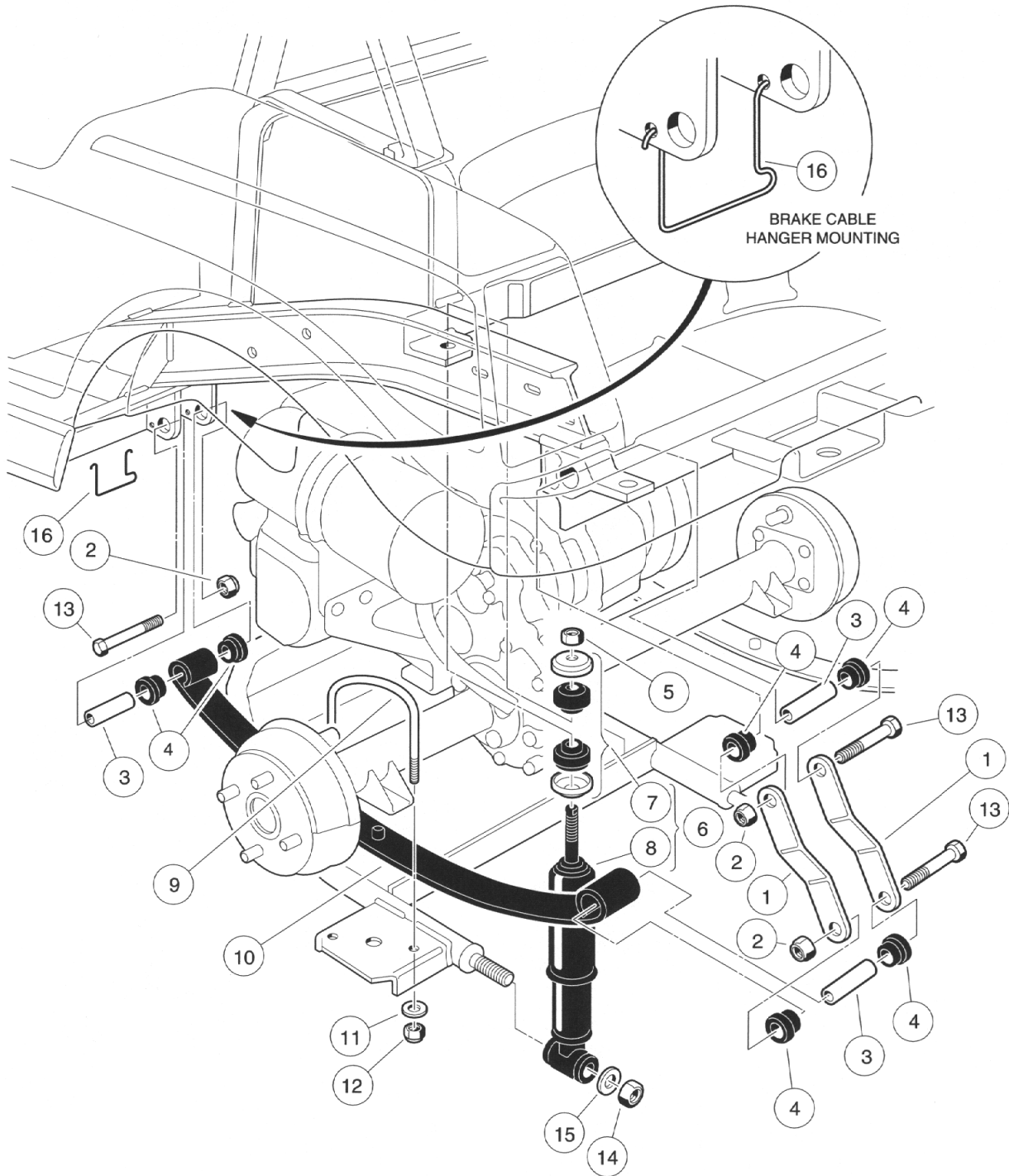


# REAR SUSPENSION GASOLINE VEHICLE

---

**11**

**G**

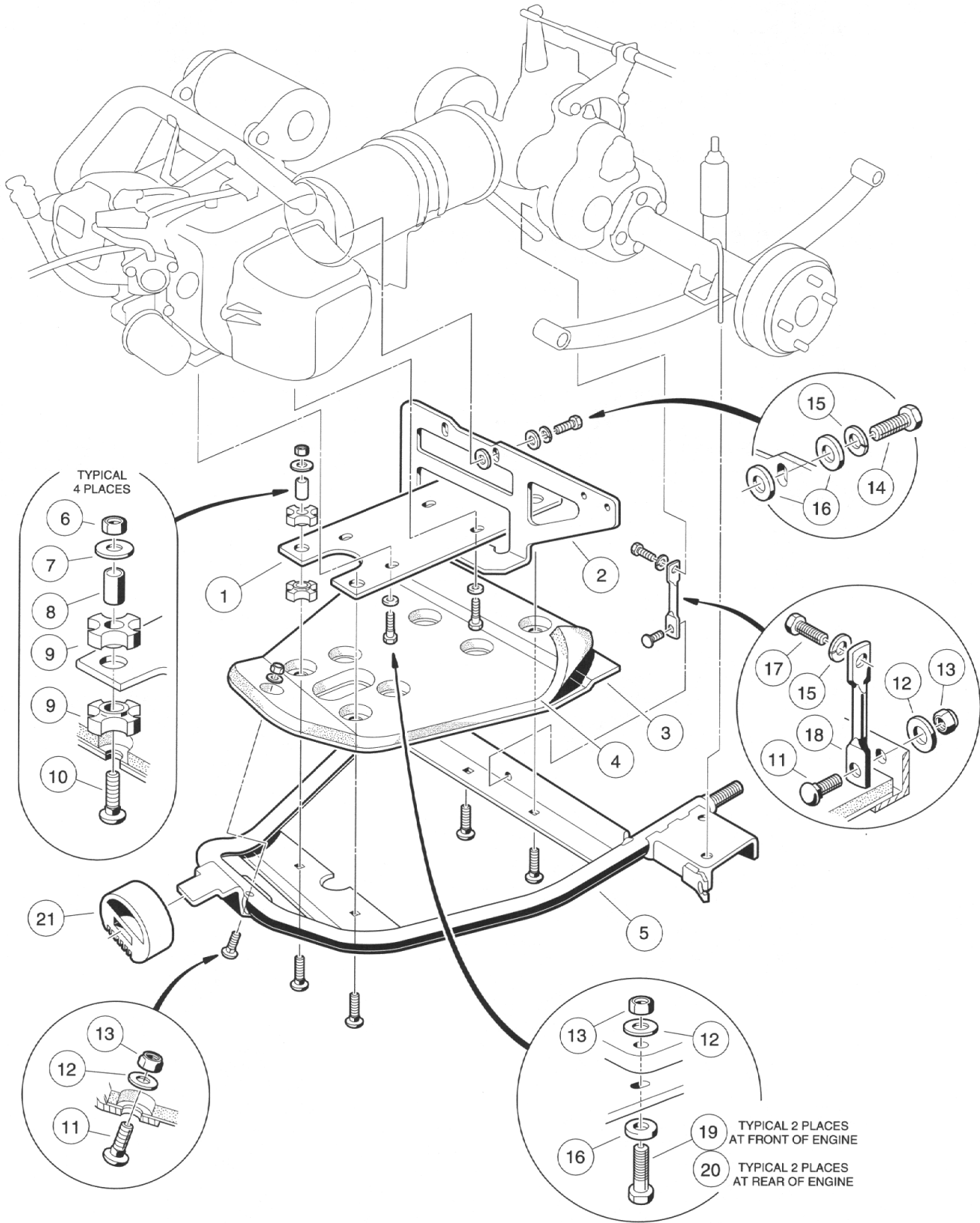


# REAR SUSPENSION - GASOLINE VEHICLE

11

G

ITEM	PART NO.	DESCRIPTION	QTY
		1 2 3 4	
1	1012304	SHACKLE, REAR SPRING .....	4
2	8754	NUT, NYLON LOCK, 3/8 - 16 .....	6
3	1012303	BUSHING, STEEL .....	4
4	1015583	BUSHING, URETHANE .....	12
5	1010145	NUT, UNF HEX, 3/8 - 24 .....	2
6	1012781	KIT, SHOCK ABSORBER (INCLUDES ITEMS 7 AND 8) .....	2
7	1011415	KIT, SHOCK ABSORBER CUSHION .....	2
8	1014234	SHOCK ABSORBER, REAR .....	2
9	1012180	BOLT, "U" .....	2
10	1012324	SPRING, REAR LEAF .....	2
11	1014557	WASHER, FLAT, 7/16 .....	4
12	1014555	NUT, NYLON LOCK, 7/16 - 24 .....	4
13	8755	SCREW, HEX HEAD CAP, 3/8 - 16 x 3 3/8 .....	6
14	1010188	NUT, DIMPLED LOCK, 5/8 - 11 .....	2
15	1010193	WASHER, FLAT, 5/8 .....	2
16	1013207	HANGER, BRAKE CABLE .....	2





# INNER FRAME - GASOLINE VEHICLE

11

G

ITEM	PART NO.	DESCRIPTION	QTY
		1 2 3 4	
1	1016869	PLATE, INNER FRAME MOUNTING .....	1
2	1016206	PLATE, MUFFLER MOUNTING .....	1
3	1016196	PAN, BELLY .....	1
4	1016197	INSULATION, BELLY PAN SOUND .....	1
5	1016870	ASSEMBLY, INNER FRAME WELD .....	1
6	8754	NUT, NYLON LOCK, 3/8 - 16 .....	4
7	808	WASHER, FLAT, 3/8 .....	4
8	1017033	BUSHING, STEEL .....	4
9	1016810	MOUNT, ENGINE .....	8
10	1012428	BOLT, CARRIAGE, 3/8 - 16 x 2 1/4 .....	4
11	1015932	BOLT, CARRIAGE, 5/16 - 18 x 1 .....	1
12	1241	WASHER, FLAT, 5/16 .....	6
13	7473	NUT, NYLON LOCK, 5/16 - 18 .....	6
14	1015709	SCREW, HEX HEAD CAP, M8 x 1.25 x 30MM .....	2
15	7174	WASHER, LOCK, 5/16 .....	3
16	1012571	WASHER, HEAVY FLAT, 5/16 .....	8
17	1010577	SCREW, HEX HEAD CAP, 5/16 - 18 x 1 1/2 .....	1
18	101620001	SUPPORT, TRANSMISSION STRAP .....	1
19	8963	SCREW, HEX HEAD CAP, 5/16 - 18 x 1 3/4 .....	2
20	8916	SCREW, HEX HEAD CAP, 5/16 - 18 x 2 .....	2
21	1012164	SNUBBER, INNER FRAME .....	1

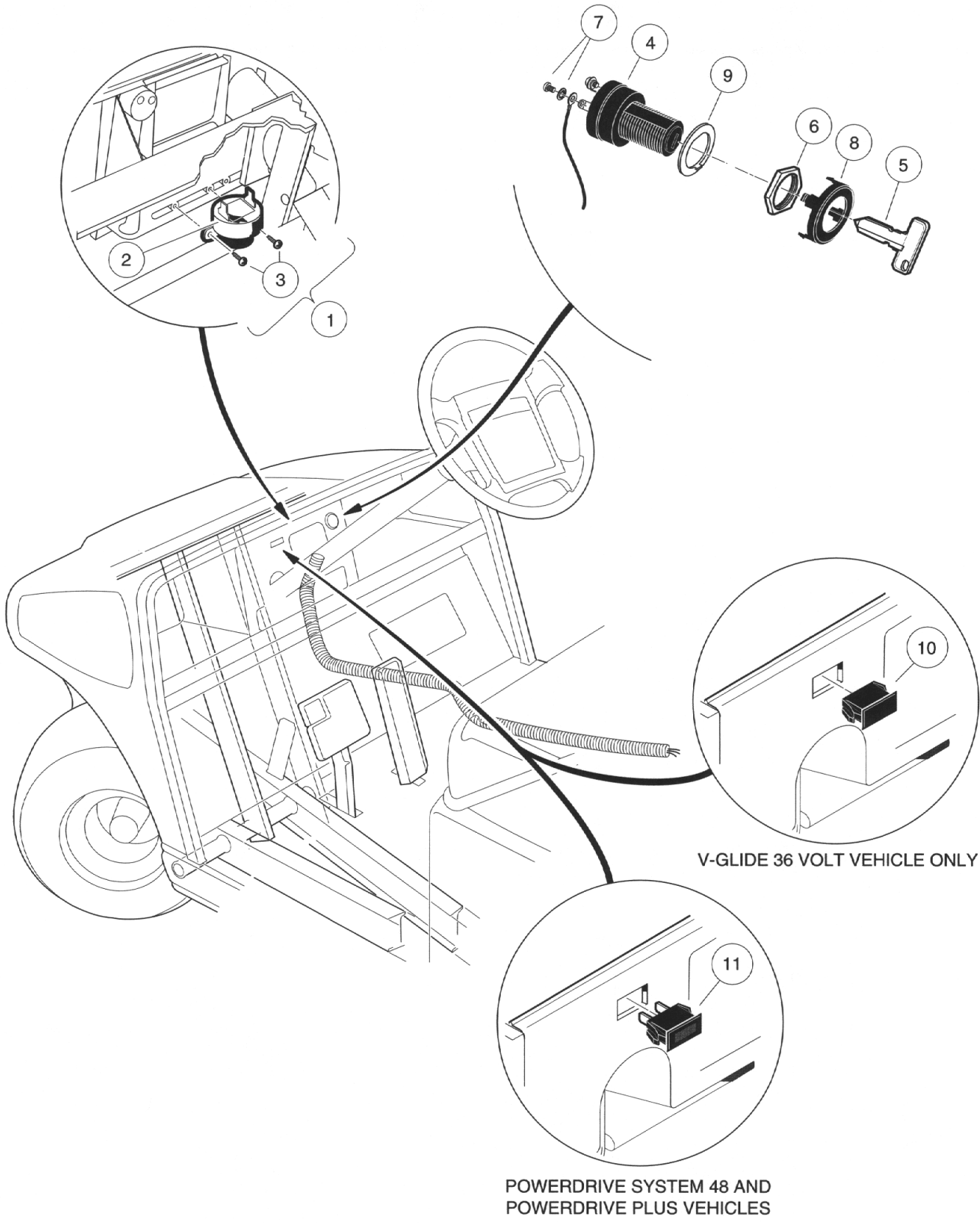


# ELECTRICAL SYSTEM ELECTRIC VEHICLES

---

**12**

**E**



V-GLIDE 36 VOLT VEHICLE ONLY

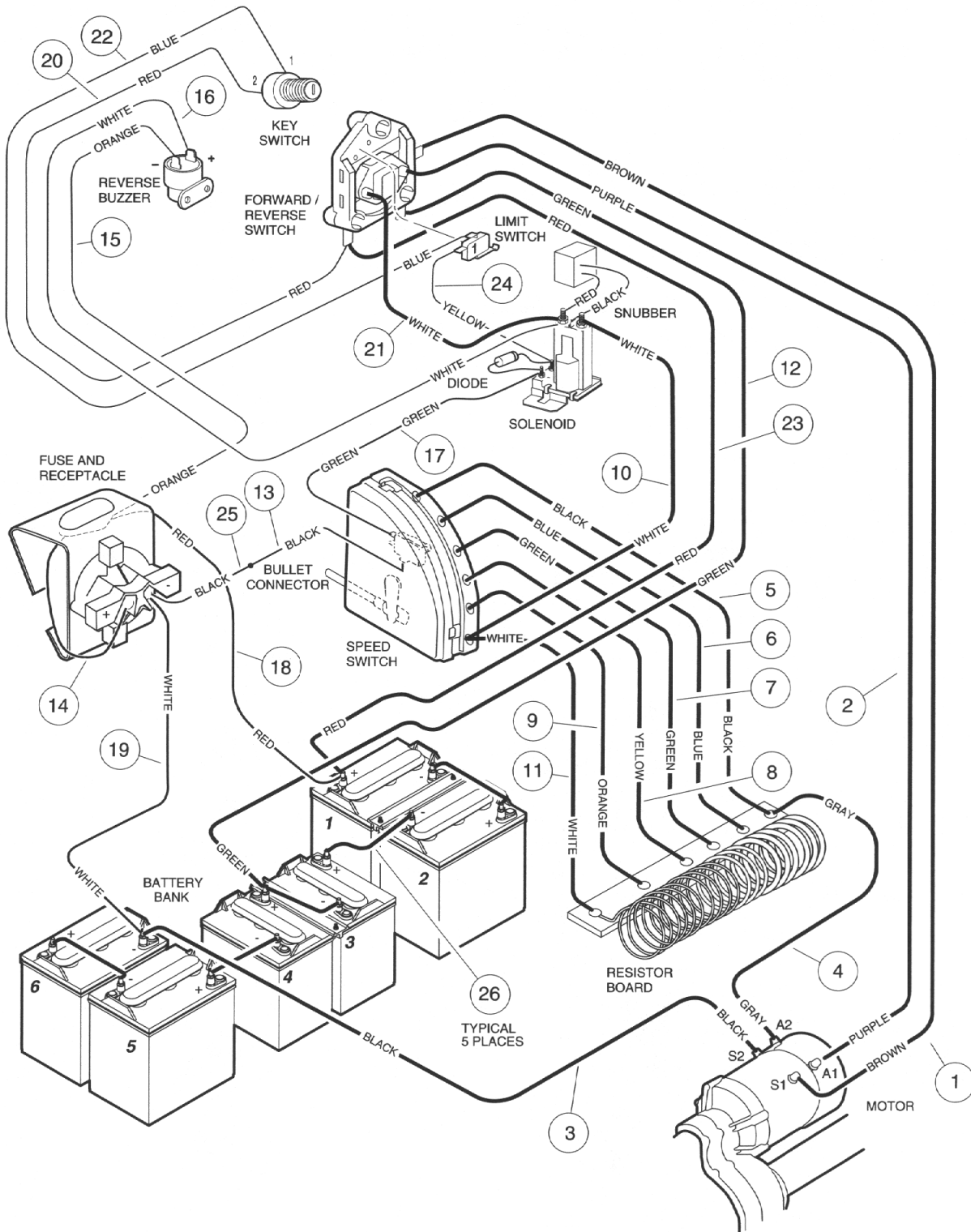
POWERDRIVE SYSTEM 48 AND  
POWERDRIVE PLUS VEHICLES

# ELECTRICAL COMPONENTS, FRONT BODY ELECTRIC VEHICLES

**12**

**E**

ITEM	PART NO.	DESCRIPTION	QTY
		1 2 3 4	
1	1016859	KIT, REVERSE BUZZER (INCLUDES ITEMS 2 AND 3) .....	1
2	1016851	BUZZER, REVERSE .....	1
3	1016849	SCREW, PAN HEAD HILO, #4 - 24 x 5/16 .....	2
4	101826201	SWITCH, KEY .....	1
5	1012505	KEY (PAIR) .....	1
6	101830701	NUT, KEY SWITCH .....	1
7	101830601	ASSEMBLY, SCREW AND WASHER .....	2
8	101834502	CAP, KEY SWITCH .....	1
9	101851101	WASHER .....	1
10	101802601	PLUG, HOLE (V-GLIDE 36 VOLT VEHICLE ONLY) .....	1
11	101802501	LIGHT, BATTERY WARNING (POWERDRIVE SYSTEM 48 AND POWERDRIVE PLUS) .....	1

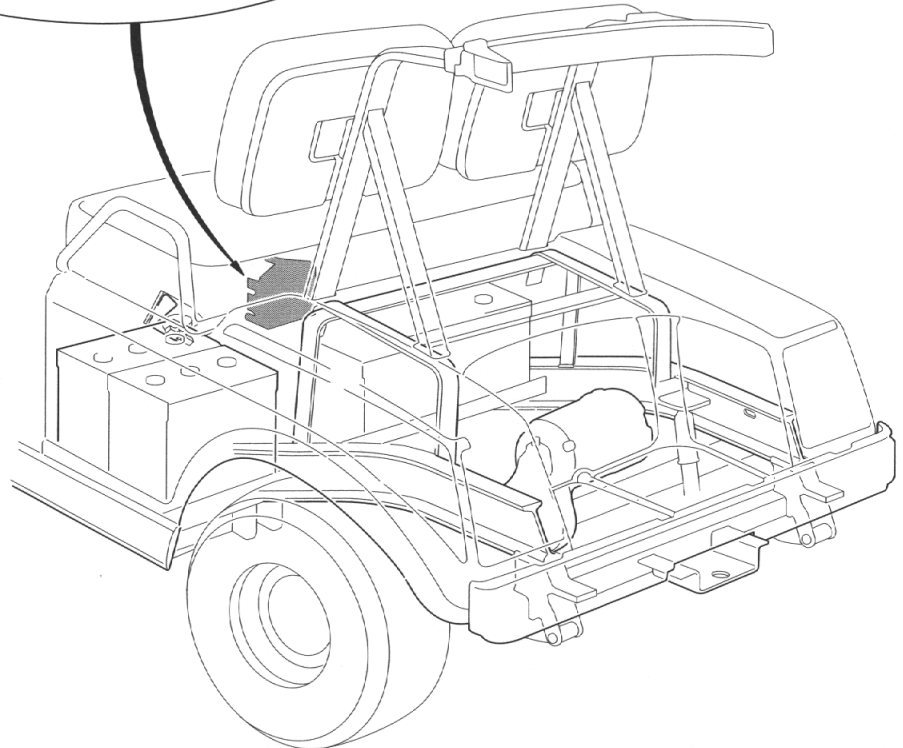
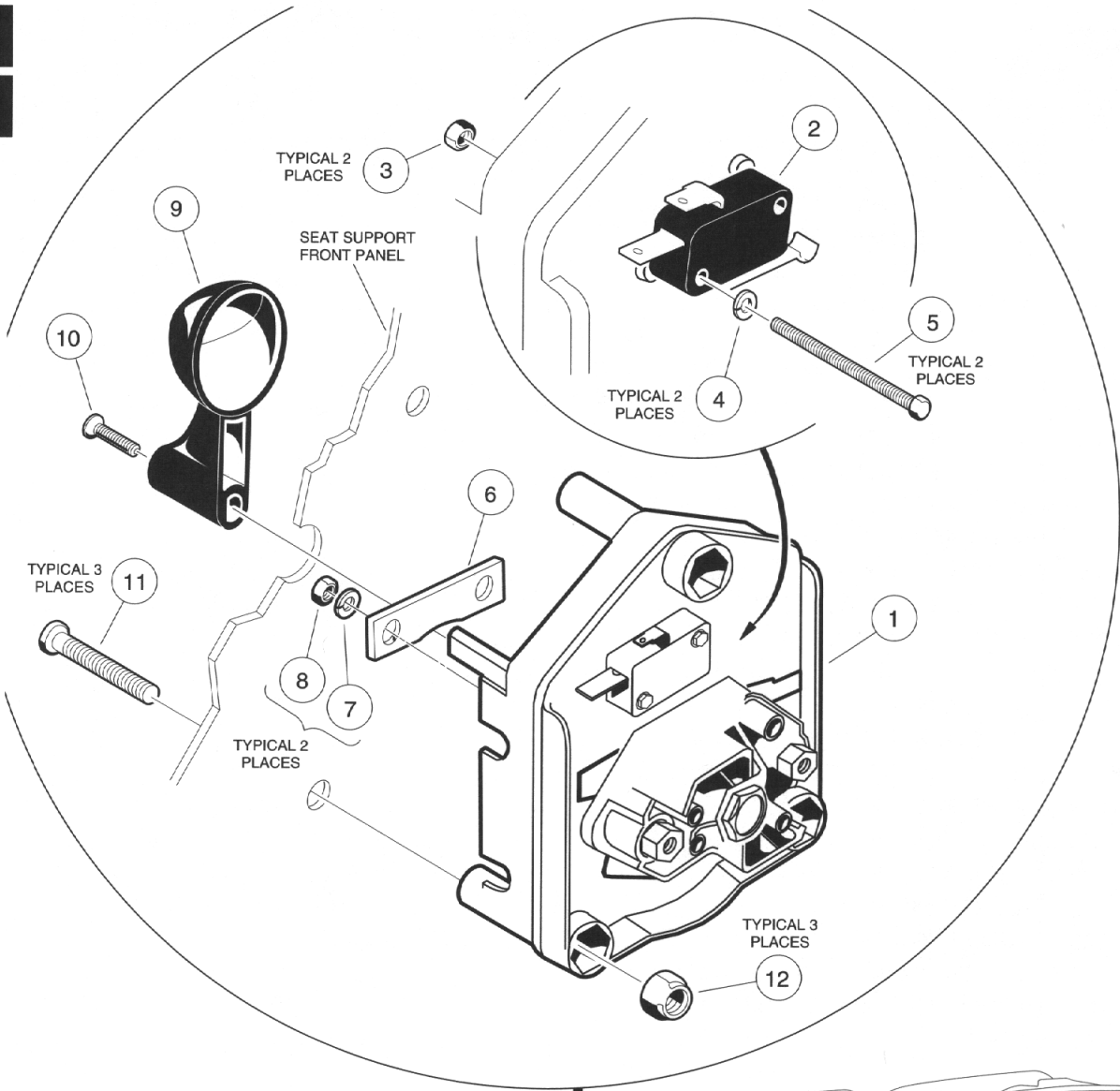


# WIRING - V-GLIDE 36 VOLT VEHICLE

**12**

**E**

ITEM	PART NO.	DESCRIPTION	QTY
		1 2 3 4	
1	1016070	WIRE ASSEMBLY, #6 BROWN .....	1
2	1016069	WIRE ASSEMBLY, #6 PURPLE .....	1
3	1012651	WIRE ASSEMBLY, #6 BLACK .....	1
4	1016068	WIRE ASSEMBLY, #6 GRAY .....	1
5	1014036	WIRE ASSEMBLY, #6 BLACK, 6TH SPEED.....	1
6	1014035	WIRE ASSEMBLY, #6 BLUE, 5TH SPEED .....	1
7	1014034	WIRE ASSEMBLY, #6 GREEN, 4TH SPEED .....	1
8	1014033	WIRE ASSEMBLY, #6 YELLOW, 3RD SPEED .....	1
9	1014032	WIRE ASSEMBLY, #6 ORANGE, 2ND SPEED .....	1
10	1014029	WIRE ASSEMBLY, #6 WHITE.....	1
11	1014030	WIRE ASSEMBLY, #6 WHITE .....	1
12	1014828	WIRE ASSEMBLY, #6 GREEN .....	1
13	N/A	WIRE ASSEMBLY, #18 BLACK .....	1
14	1013092	WIRE ASSEMBLY, #10 RED .....	1
15	N/A	WIRE ASSEMBLY, #18 ORANGE .....	1
16	N/A	WIRE ASSEMBLY, #18 WHITE .....	1
17	N/A	WIRE ASSEMBLY, #18 GREEN .....	1
18	102018001	WIRE ASSEMBLY, #10 RED .....	1
19	1011010	WIRE ASSEMBLY, #10 WHITE .....	1
20	N/A	WIRE ASSEMBLY, #18 RED .....	1
21	1014039	WIRE ASSEMBLY, #6 WHITE .....	1
22	N/A	WIRE ASSEMBLY, #18 BLUE .....	1
23	1011069	WIRE ASSEMBLY, #6 RED .....	1
24	N/A	WIRE ASSEMBLY, #18 YELLOW .....	1
25	N/A	WIRE ASSEMBLY, #18 BLACK .....	1
26	1010958	WIRE ASSEMBLY, #6 BLACK .....	5



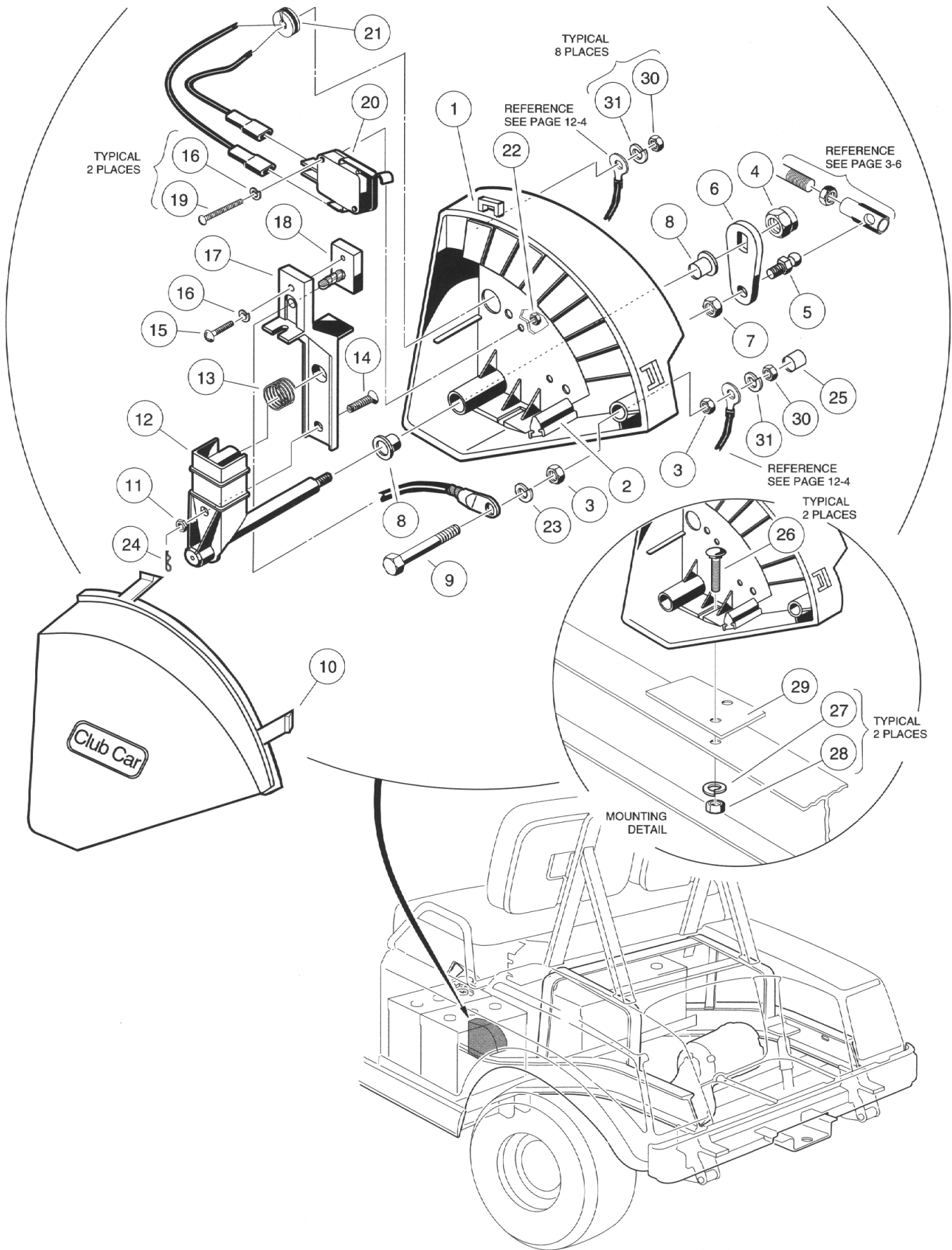


# FORWARD AND REVERSE SWITCH V-GLIDE 36 VOLT VEHICLE

**12**

**E**

ITEM	PART NO.	DESCRIPTION	QTY
		1 2 3 4	
1	1011997	ASSEMBLY, FOWARD AND REVERSE SWITCH (INCLUDES ITEMS 2 - 8) .....	1
2	1014808	SWITCH, LIMIT .....	1
3	8057	NUT, HEX, #4 - 40 .....	2
4	8058	WASHER, LOCK, #4 .....	2
5	1011991	SCREW, SLOTTED ROUND HEAD, #4 - 40 x 1 1/8 .....	2
6	1017799	BAR, BUSS .....	1
7	451	WASHER, LOCK, 1/4 .....	2
8	1028	NUT, HEX, 1/4 - 20 .....	2
9	1012987	HANDLE, FOWARD AND REVERSE SWITCH .....	1
10	1013198	SCREW, PHILLIPS HEAD MACHINE, #8 - 32 x 5/8 .....	1
11	1016845	SCREW, PHILLIPS TRUSS HEAD, 1/4 - 20 x 2 1/8 .....	3
12	8233	NUT, NYLON LOCK, 1/4 - 20 .....	3



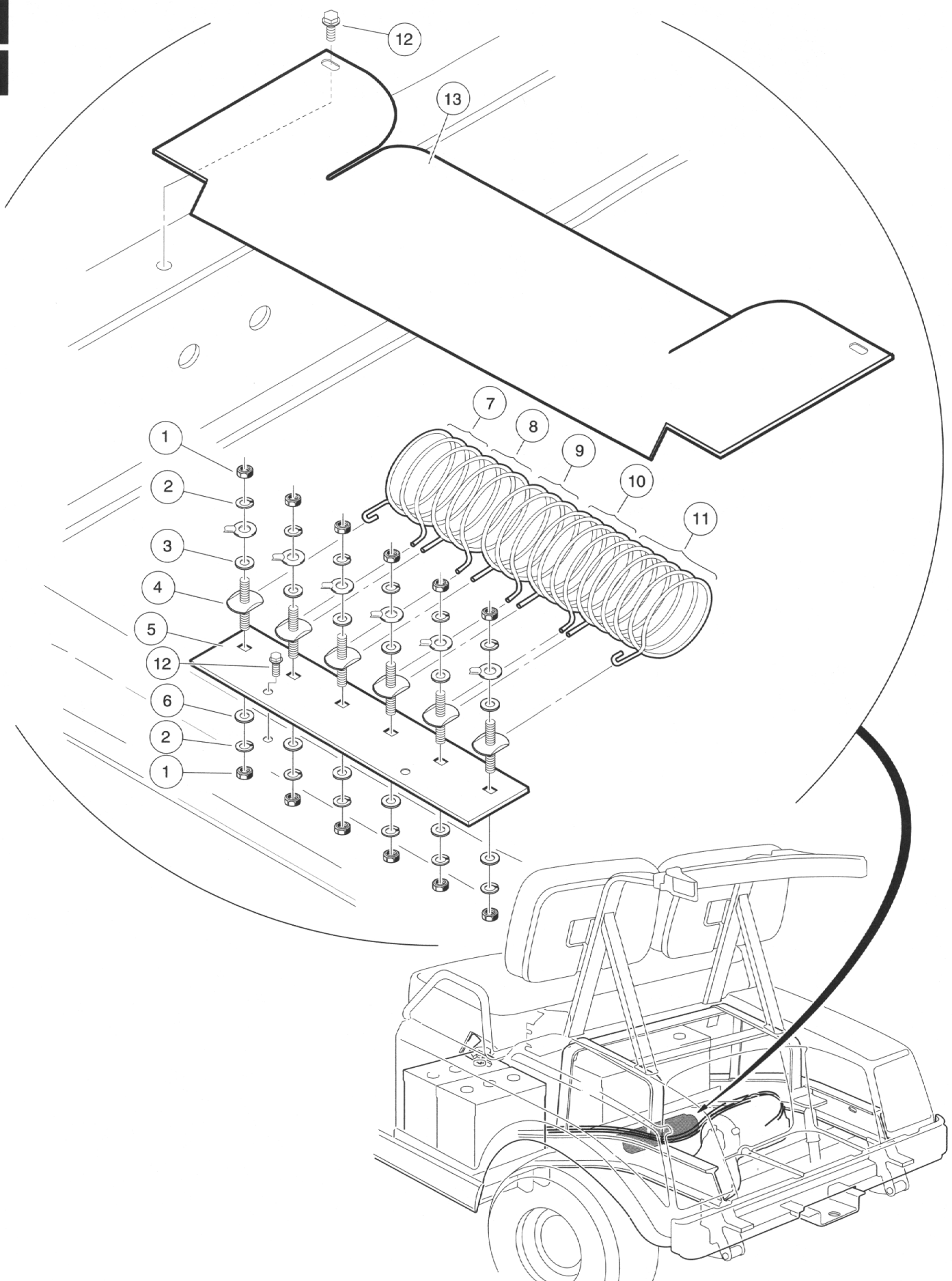
# WIPER SWITCH - V-GLIDE 36 VOLT VEHICLE

12

E

ITEM	PART NO.	DESCRIPTION	QTY
		1 2 3 4	
	1014735	ASSEMBLY, V-GLIDE WIPER SWITCH AND RESISTOR GROUP (INCLUDES WIPER SWITCH ASSEMBLY LISTED BELOW, RESISTOR AND BOARD ASSEMBLY – ITEMS 1 - 11 ON PAGE 12-11, AND CONNECTING WIRES – ITEMS 5 - 11 ON PAGE 12-5)	
	1016140	ASSEMBLY, V - GLIDE WIPER SWITCH (INCLUDES ITEMS 1 - 24) .....	1
1	1014999	ASSEMBLY, WIPER SWITCH CASE, 6 SPEED (INCLUDES ITEM 2) .....	1
2	1014414	BUMPER, WIPER SWITCH .....	1
3	1014253	NUT, BRASS HEX JAM, 1/4 - 20 .....	2
4	7473	NUT, NYLON LOCK, 5/16 - 18 .....	1
5	1012353	STUD, SHORT BALL 1/4 - 28 .....	1
6	1014003	CRANK, BELL .....	1
7	8449	NUT, DIMPLED LOCK, 1/4 - 28 .....	1
8	1012903	BEARING, BRONZE, 3/8 x 1/2 .....	2
9	1014189	SCREW, BRONZE HEX HEAD CAP, 1/4 - 20 x 2 .....	1
10	1013886	COVER, WIPER SWITCH CASE .....	1
11	7893	NUT, HEX, #10 - 32 .....	1
12	1014017	CARRIER, WIPER SWITCH ARM .....	1
13	1013998	SPRING, WIPER SWITCH BRUSH .....	1
14	1014000	STUD, WIPER SWITCH ADJUSTING .....	1
15	1014019	SCREW, SELF-TAPPING, #4 - 40 x 3/8 .....	1
16	8058	WASHER, LOCK, #4 .....	3
17	1013887	ARM, SPEED SWITCH .....	1
18	1013860	ASSEMBLY, SWITCH BRUSH .....	1
19	8056	SCREW, ROUND HEAD MACHINE, #4 - 40 x 3/4 .....	2
20	1014807	SWITCH, LIMIT .....	1
21	1014010	GROMMET, SPLIT .....	1
22	8057	NUT, HEX, #4 - 40 .....	2
23	451	WASHER, LOCK, 1/4 .....	1
24	1014413	PIN, HAIR SPRING COTTER .....	1
25	1017692	CAP, PROTECTOR .....	1
26	1014109	BOLT, ROUND HEAD SQUARE NECK, #10 - 24 x 1 .....	2
27	1016175	WASHER, LOCK, #10 .....	2
28	1017	NUT, HEX, #10 - 24 .....	2
29	1014367	SHIM, WIPER SWITCH .....	1
30	1014	NUT, BRASS HEX, 1/4 - 20 .....	9
31	451	WASHER, LOCK, 1/4 .....	9

**12**  
**E**

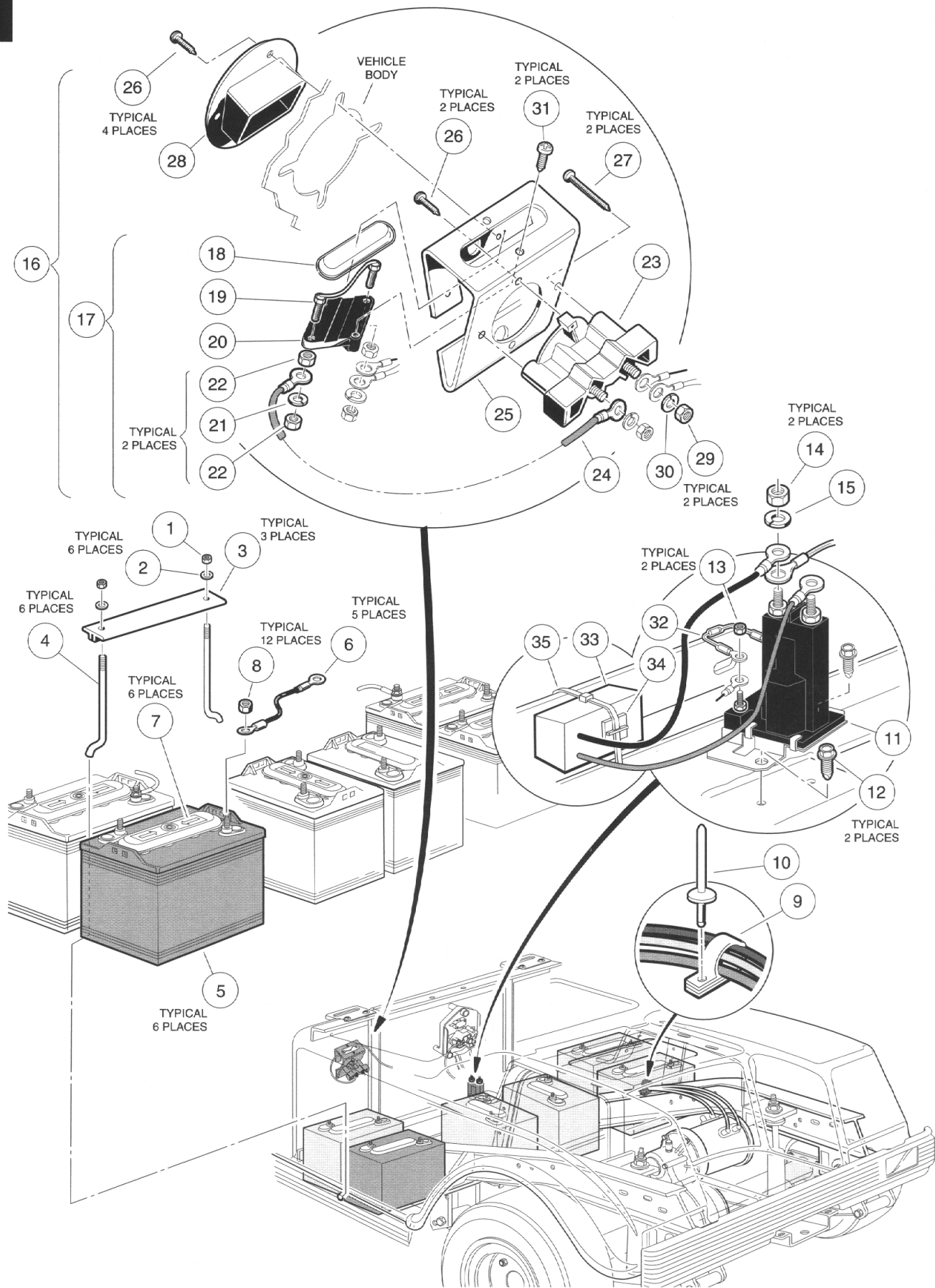


# RESISTOR AND BOARD ASSEMBLY V-GLIDE 36 VOLT VEHICLE

**12**

**E**

ITEM	PART NO.	DESCRIPTION	QTY
		1 2 3 4	
1	1028	NUT, HEX, 1/4 - 20 .....	12
2	451	WASHER, LOCK, 1/4 .....	12
3	1011931	WASHER, FLAT, 1/4 .....	6
4	1014045	STAND-OFF, RESISTOR COIL .....	6
5	1014728	BOARD, RESISTOR MOUNTING .....	1
6	332	WASHER, FLAT, 1/4 .....	6
7	1014476	COIL, RESISTOR, 5TH SPEED, .182" WIRE DIAMETER, 3-COIL .....	1
8	1014012	COIL, RESISTOR, 4TH SPEED, .162" WIRE DIAMETER, 3-COIL .....	1
9	1014013	COIL, RESISTOR, 3RD SPEED, .144" WIRE DIAMETER, 3-COIL .....	1
10	1014014	COIL, RESISTOR, 2ND SPEED, .128" WIRE DIAMETER, 4-COIL .....	1
11	1014729	COIL, RESISTOR, 1ST SPEED, .128" WIRE DIAMETER, 6-COIL .....	1
12	1012285	SCREW, THREAD ROLLING, 1/4 - 20 x 5/8 .....	4
13	1013971	SHIELD, RESISTOR .....	1

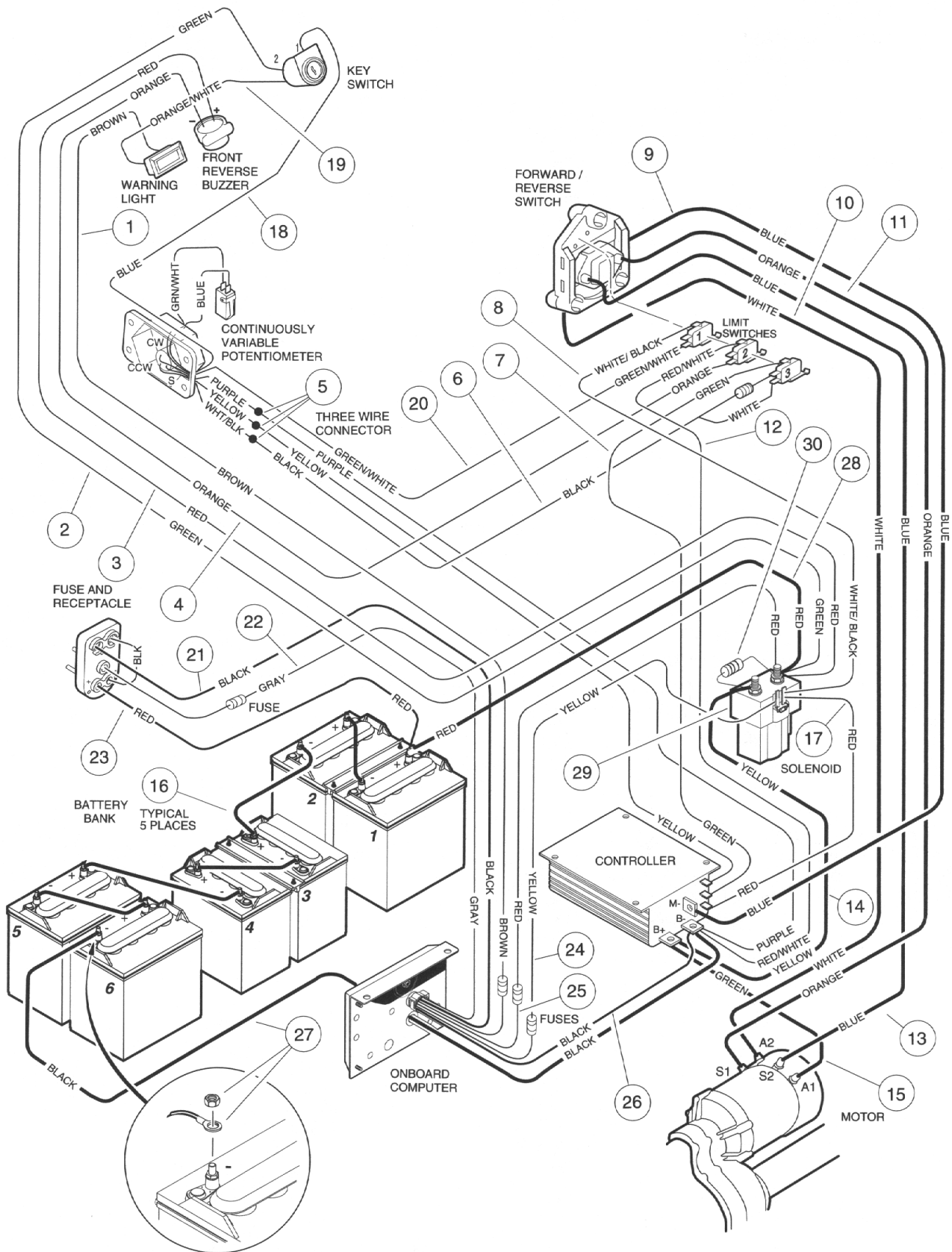


# ELECTRICAL COMPONENTS, REAR BODY V-GLIDE 36 VOLT VEHICLE

**12**

**E**

ITEM	PART NO.	DESCRIPTION	QTY
		1 2 3 4	
1	1015072	NUT, NYLON LOCK, STAINLESS STEEL, 5/6 - 18 .....	6
2	1011578	WASHER, FLAT, TYPE B WIDE, 5/16 .....	6
3	101090801	HOLD-DOWN, BATTERY .....	3
4	1013683	J-BOLT .....	6
5	101661601	BATTERY, 6-VOLT .....	6
5	101661602	BATTERY, 6-VOLT, DRY .....	6
6	1010958	WIRE ASSEMBLY, #6 BLACK .....	5
7	101831401	CAP, 6-VOLT BATTERY .....	6
8	1014304	NUT, HEX, STAINLESS STEEL, 5/6 - 18 .....	12
9	1012022	CLAMP, CABLE .....	2
10	1606	RIVET, POP, 3/16 .....	2
11	101975901	SOLENOID, 36-VOLT .....	1
12	1012285	SCREW, THREAD-ROLLING, 1/4 - 20 x 5/8 .....	2
13	7893	NUT, HEX, #10 - 32 .....	2
14	1010521	NUT, HEX, 5/16 - 24 .....	2
15	7174	WASHER, LOCK, 5/16 .....	2
16	101342501	KIT, FUSE AND RECEPTACLE (INCLUDES ITEMS 17 - 31) .....	1
17	1014516	KIT, FUSE (INCLUDES ITEMS 18 - 22) .....	1
18	N/A	LENS, FUSE .....	1
19	N/A	FUSE, 80-AMP .....	1
20	N/A	HOLDER, FUSE .....	1
21	1016	WASHER, LOCK, #10 .....	2
22	8797	NUT, BRASS, #10 - 32 .....	4
23	4107	RECEPTACLE, CHARGER, 2-PRONG .....	1
24	1013092	WIRE ASSEMBLY, #10 RED .....	1
25	1013628	BRACKET, FUSE AND RECEPTACLE MOUNTING .....	1
26	8796	SCREW, PHILLIPS PAN HEAD SELF-TAPPING, #7 - 19 x 3/4 .....	6
27	8795	SCREW, PHILLIPS PAN HEAD SELF-TAPPING, #7 - 19 x 1-3/4 .....	2
28	1013649	BEZEL, CHARGER RECEPTACLE .....	1
29	8797	NUT, BRASS, #10 - 32 .....	2
30	1016	WASHER, LOCK, #10 .....	2
31	1013266	SCREW, PHILLIPS PAN HEAD SELF-TAPPING, #8 - 18 x 1/2 .....	2
32	1014948	DIODE .....	1
33	102047201	SNUBBER .....	1
34	102048301	BASE, MOUNTING .....	1
35	8639	TIE, WIRE .....	1



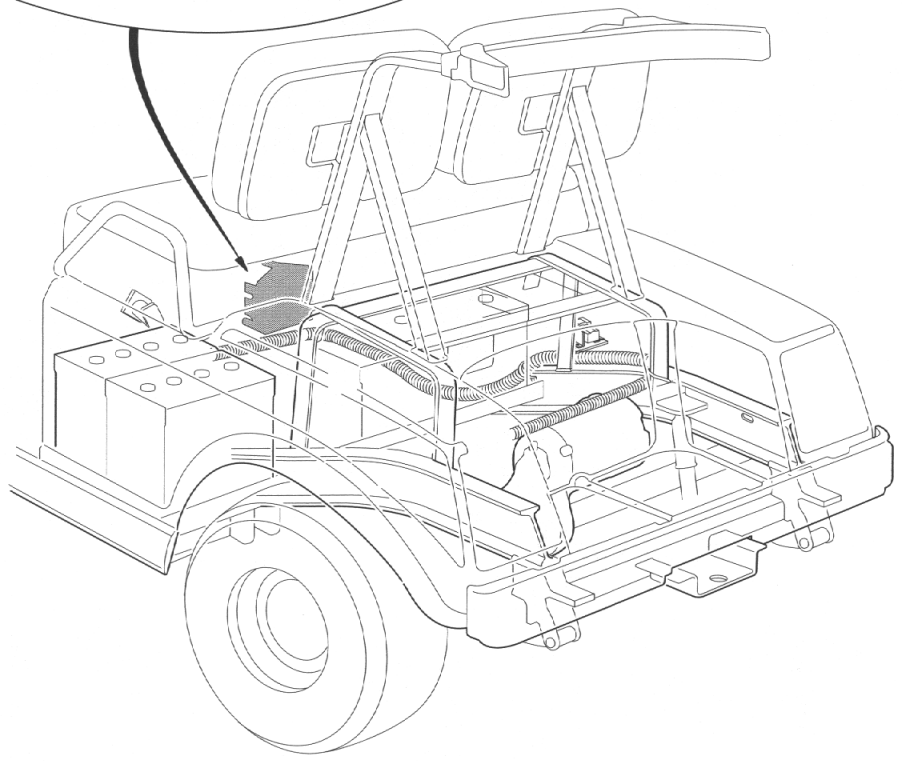
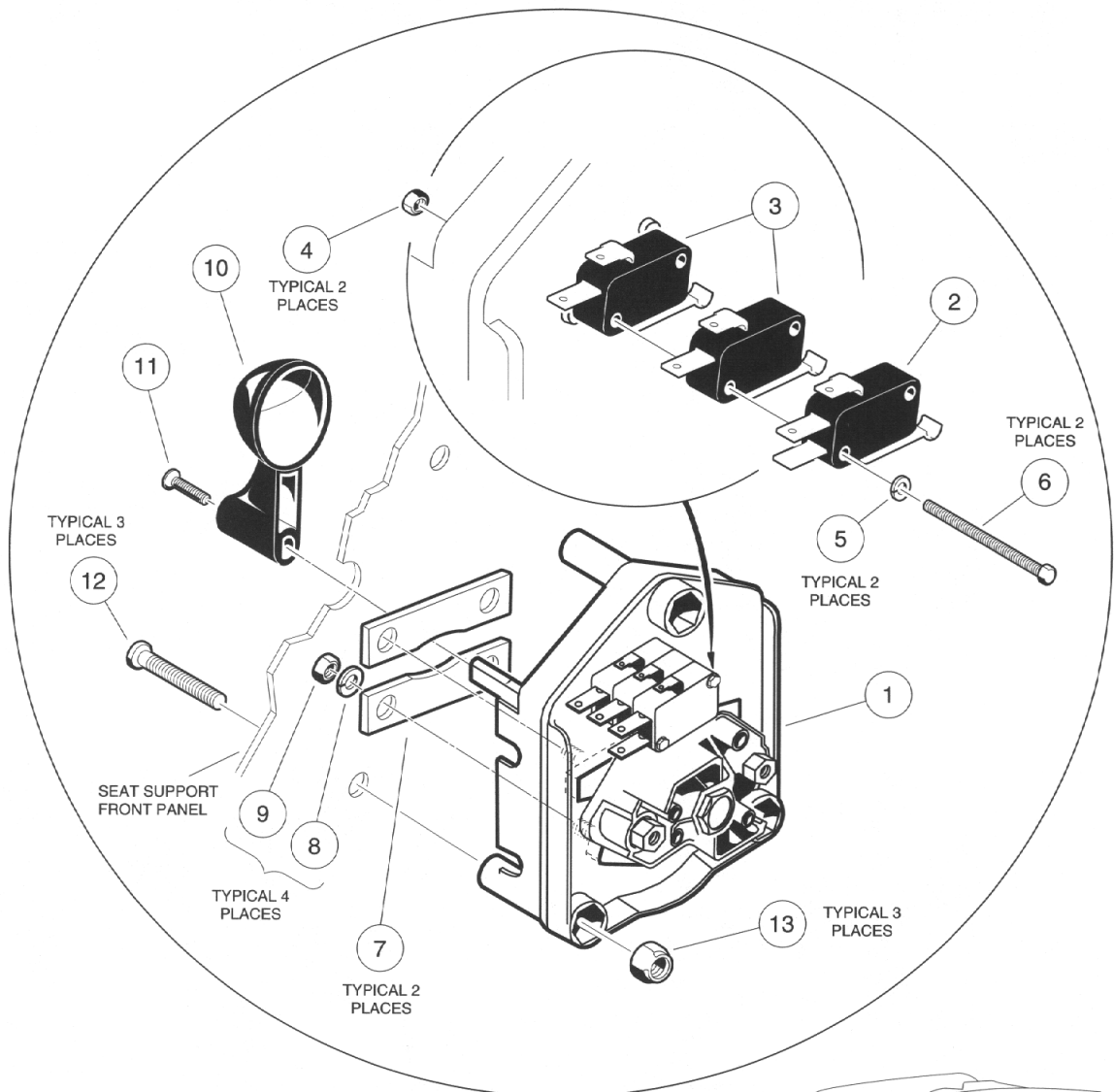


# WIRING - POWERDRIVE SYSTEM 48 VEHICLE

12

E

ITEM	PART NO.	DESCRIPTION	QTY
		1 2 3 4	
	101794203	WIRE HARNESS (INCLUDES ITEMS 1 - 13) .....	1
1	N/A	WIRE ASSEMBLY, #18 BROWN .....	1
2	N/A	WIRE ASSEMBLY, #18 GREEN .....	1
3	N/A	WIRE ASSEMBLY, #18 RED .....	1
4	N/A	WIRE ASSEMBLY, #18 ORANGE .....	1
5	101865101	ASSEMBLY, 3-WAY PLUG (INCLUDES #18 PURPLE, #18 YELLOW AND ITEM 6) ...	1
6	101883002	WIRE ASSEMBLY, #18 BLACK (INCLUDES RESISTOR AND #18 WHITE WIRE) (VEHICLE WITH DEUTSCH CONNECTOR) .....	1
7	N/A	WIRE ASSEMBLY, #18 GREEN .....	1
8	N/A	WIRE ASSEMBLY, #18 WHITE/BLACK .....	1
9	1018110	WIRE ASSEMBLY, #6 BLUE .....	1
10	1015769	WIRE ASSEMBLY, #6 WHITE .....	1
11	1014854	WIRE ASSEMBLY, #6 ORANGE .....	1
12	N/A	WIRE ASSEMBLY, #18 RED/WHITE .....	1
13	1018109	WIRE ASSEMBLY, #6 BLUE .....	1
14	1015858	WIRE ASSEMBLY, #6 YELLOW .....	1
15	1015860	WIRE ASSEMBLY, #6 GREEN .....	1
16	101795701	WIRE ASSEMBLY, #6 BLACK .....	5
17	N/A	WIRE ASSEMBLY, #18 RED .....	1
18	N/A	WIRE ASSEMBLY, #18 BLUE .....	1
19	N/A	WIRE ASSEMBLY, #18 ORANGE/WHITE .....	1
20	N/A	WIRE ASSEMBLY, #18 GREEN/WHITE .....	1
21	N/A	WIRE ASSEMBLY, #10 BLACK (PART OF ONBOARD COMPUTER ASSEMBLY) .....	1
22	N/A	WIRE ASSEMBLY, #18 GREY (PART OF ONBOARD COMPUTER ASSEMBLY) .....	1
23	N/A	WIRE ASSEMBLY, #10 RED (PART OF FUSE AND RECEPTACLE ASSEMBLY) .....	1
24	N/A	WIRE ASSEMBLY, #18 YELLOW (PART OF ONBOARD COMPUTER ASSEMBLY) .....	1
25	N/A	WIRE ASSEMBLY, #18 RED (PART OF ONBOARD COMPUTER ASSEMBLY) .....	1
26	N/A	WIRE ASSEMBLY, #10 BLACK (PART OF ONBOARD COMPUTER ASSEMBLY) .....	1
27	101827801	KIT, WIRE AND TERMINAL, #6 BLACK .....	1
28	101837601	WIRE ASSEMBLY, #6 RED .....	1
29	1014948	ASSEMBLY, DIODE .....	1
30	1014947	ASSEMBLY, RESISTOR .....	1

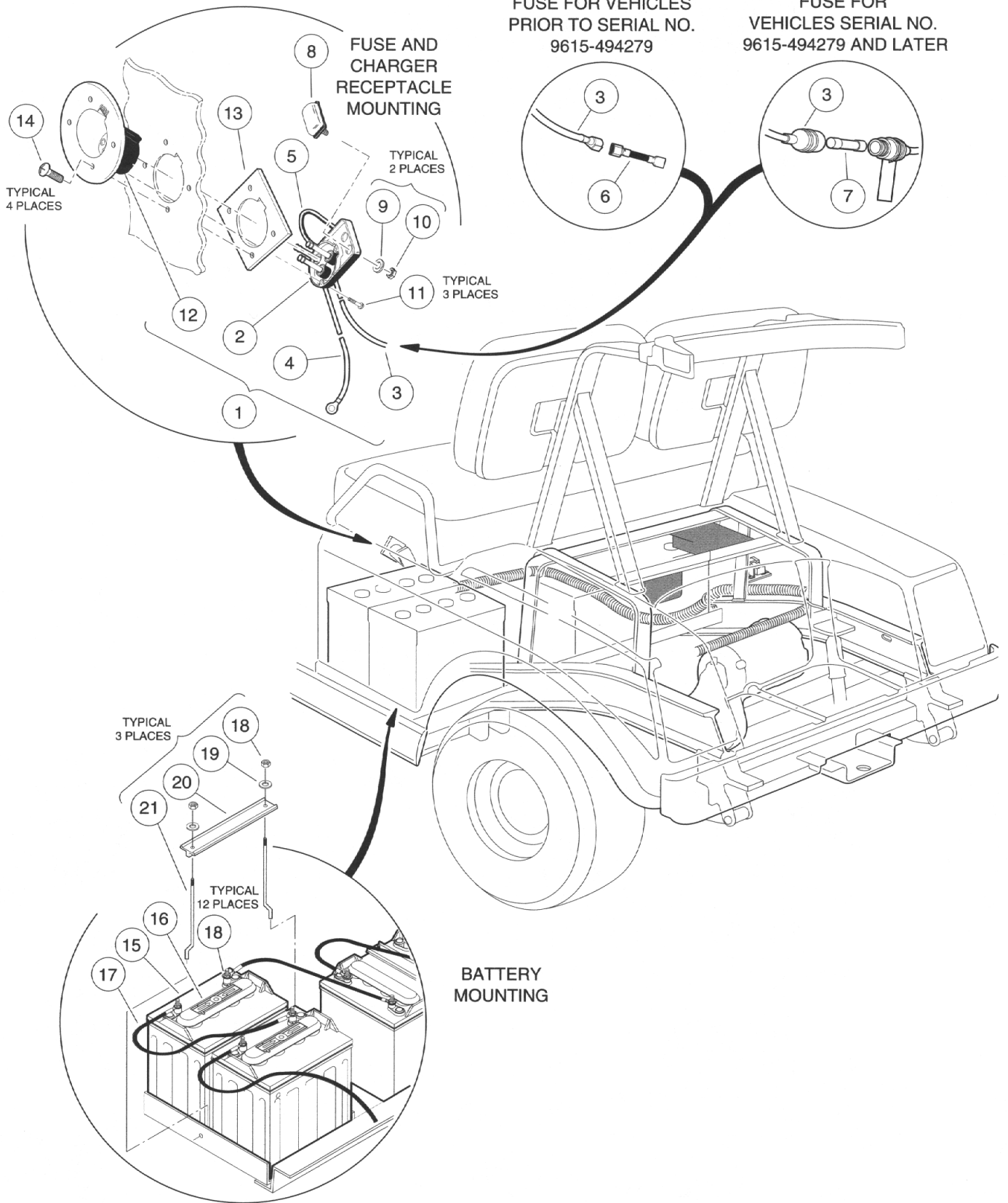


# FORWARD AND REVERSE SWITCH POWERDRIVE SYSTEM 48 VEHICLE

**12**

**E**

ITEM	PART NO.	DESCRIPTION	QTY
		1 2 3 4	
1	101753005	ASSEMBLY, FOWARD AND REVERSE SWITCH (INCLUDES ITEMS 2 - 9) .....	1
2	1014807	SWITCH, LIMIT .....	1
3	1014808	SWITCH, LIMIT .....	2
4	8057	NUT, HEX, #4 - 40 .....	2
5	8058	WASHER, LOCK, #4 .....	2
6	1014871	SCREW, HEX WASHER HEAD, #4 - 40 x 2 .....	2
7	1017799	BAR, BUSS .....	2
8	451	WASHER, LOCK, 1/4 .....	4
9	1028	NUT, HEX, 1/4 - 20 .....	4
10	1012987	HANDLE, FORWARD AND REVERSE SWITCH .....	1
11	1013198	SCREW, PHILLIPS HEAD MACHINE, #8 - 32 x 5/8 .....	1
12	1016845	SCREW, PHILLIPS TRUSS HEAD, 1/4 - 20 x 2 1/8 .....	3
13	8233	NUT, NYLON LOCK, 1/4 - 20 .....	3

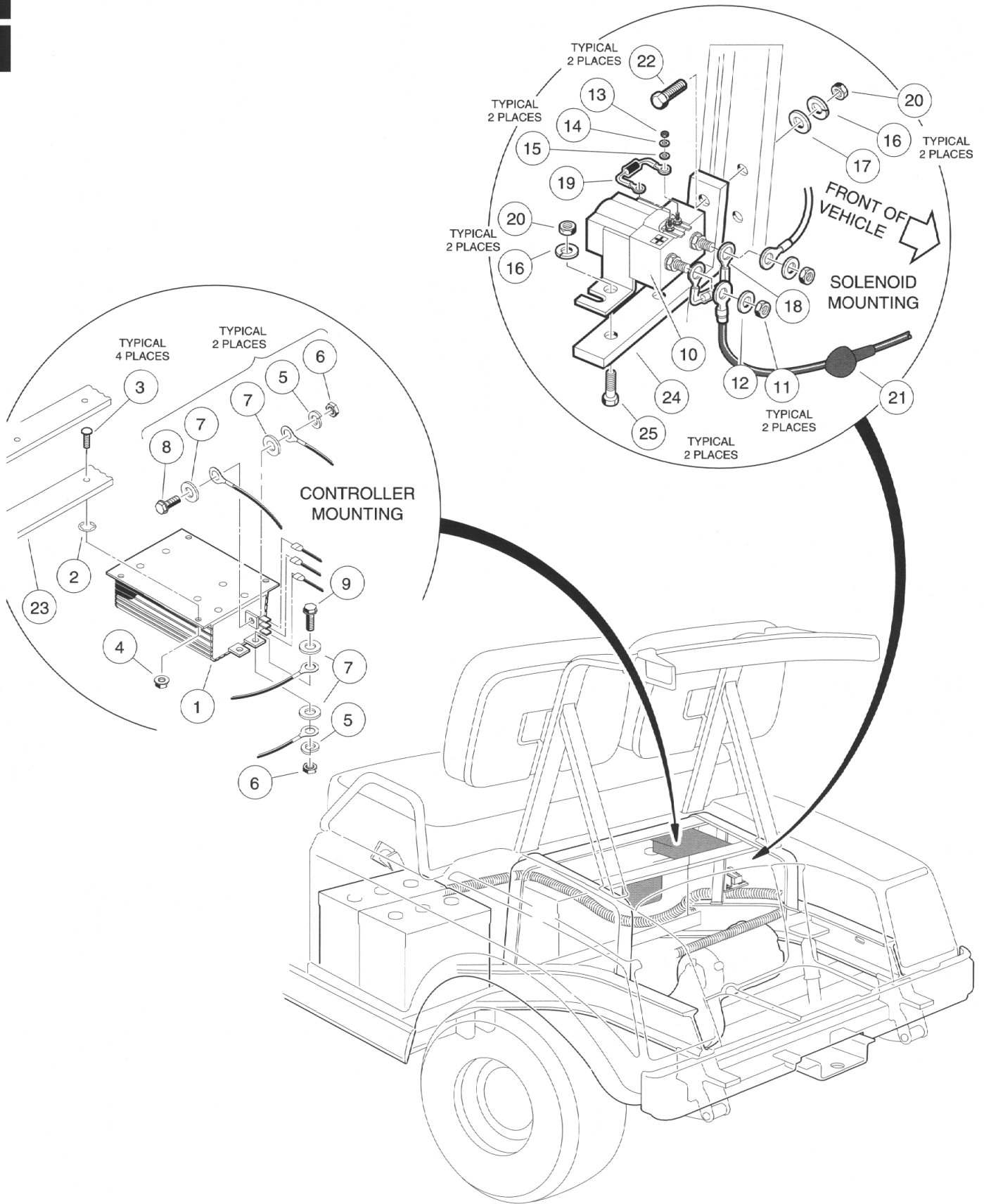


# ELECTRICAL COMPONENTS, REAR BODY POWERDRIVE SYSTEM 48 VEHICLE

**12**

**E**

ITEM	PART NO.	DESCRIPTION	QTY
		1 2 3 4	
1	101802101	KIT, FUSE AND RECEPTACLE (INCLUDES ITEMS 2 - 12) .....	1
2	N/A	ASSEMBLY, FUSE AND RECEPTACLE (INCLUDES ITEMS 3 - 11) .....	1
3	N/A	WIRE ASSEMBLY, SENSE LEAD, GREY .....	1
4	N/A	WIRE ASSEMBLY, #10 RED .....	1
5	N/A	WIRE ASSEMBLY, #10 BLACK .....	1
6	101863301	ASSEMBLY, FUSE, 1/4 AMP (FOR VEHICLES PRIOR TO SERIAL NUMBER 9615-494279) .....	1
7	101894901	ASSEMBLY, FUSE, 3/8 AMP (FOR VEHICLES SERIAL NUMBER 9615-494279 AND LATER) .....	1
8	101796801	ASSEMBLY, FUSE, 48 VOLT (INCLUDES ITEMS 9 AND 10) .....	1
9	1018038	WASHER, NARROW TYPE 13, #10 .....	2
10	1018028	NUT, SERRATED, #10 - 32 .....	2
11	1017705	SCREW, PHILLIPS PAN HEAD, #8 TYPE AB .....	3
12	101796501	BEZEL, RECEPTACLE .....	1
13	101801001	PLATE, RECEPTACLE BACKING .....	1
14	101832001	SCREW, PHILLIPS PAN HEAD, #7 - 18 x 3/4 .....	4
15	101797701	BATTERY, 8 VOLT POWERDRIVE .....	6
15	101797702	BATTERY, 8 VOLT POWERDRIVE, DRY .....	6
16	101797801	CAP, BATTERY, 4 PORT GANG .....	6
17	101795701	WIRE ASSEMBLY, #6 BLACK .....	5
18	1014304	NUT, STAINLESS STEEL HEX, 5/16 - 18 .....	18
19	1011578	WASHER, FLAT, TYPE B WIDE, 5/16 .....	6
20	101090801	HOLD-DOWN, BATTERY .....	3
21	1013683	BOLT, "J" .....	6



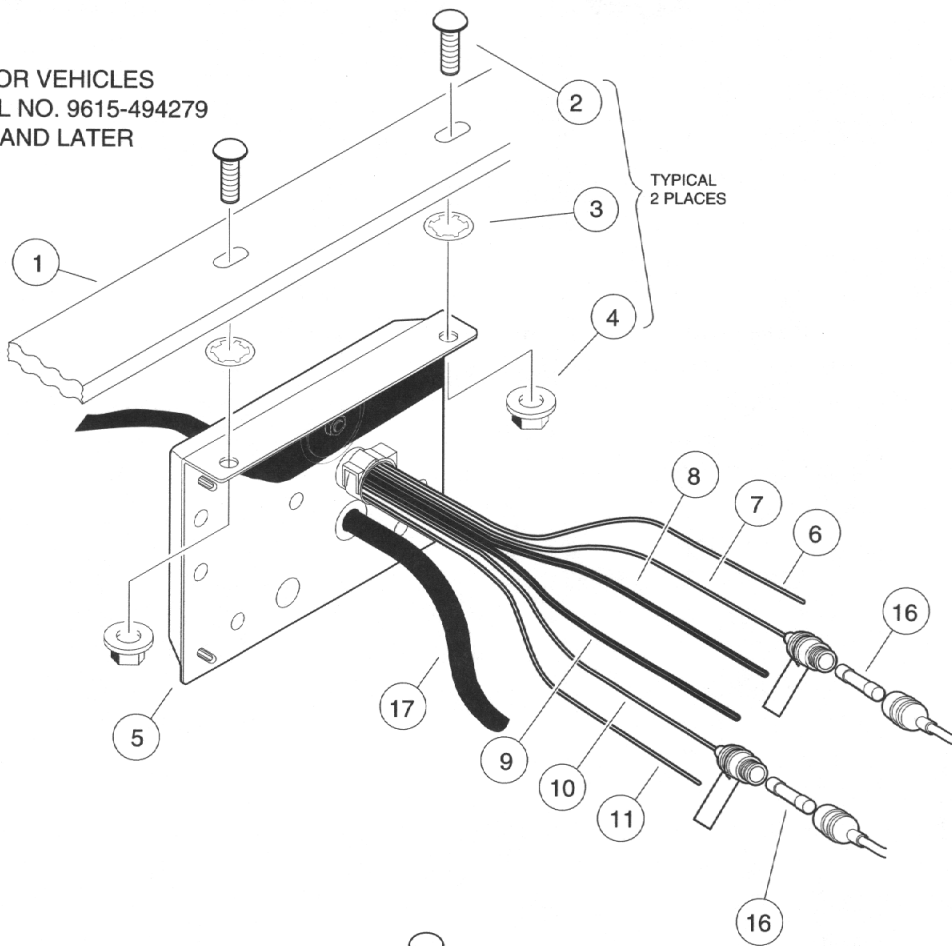
# ELECTRICAL COMPONENTS, REAR BODY POWERDRIVE SYSTEM 48 VEHICLE

**12**

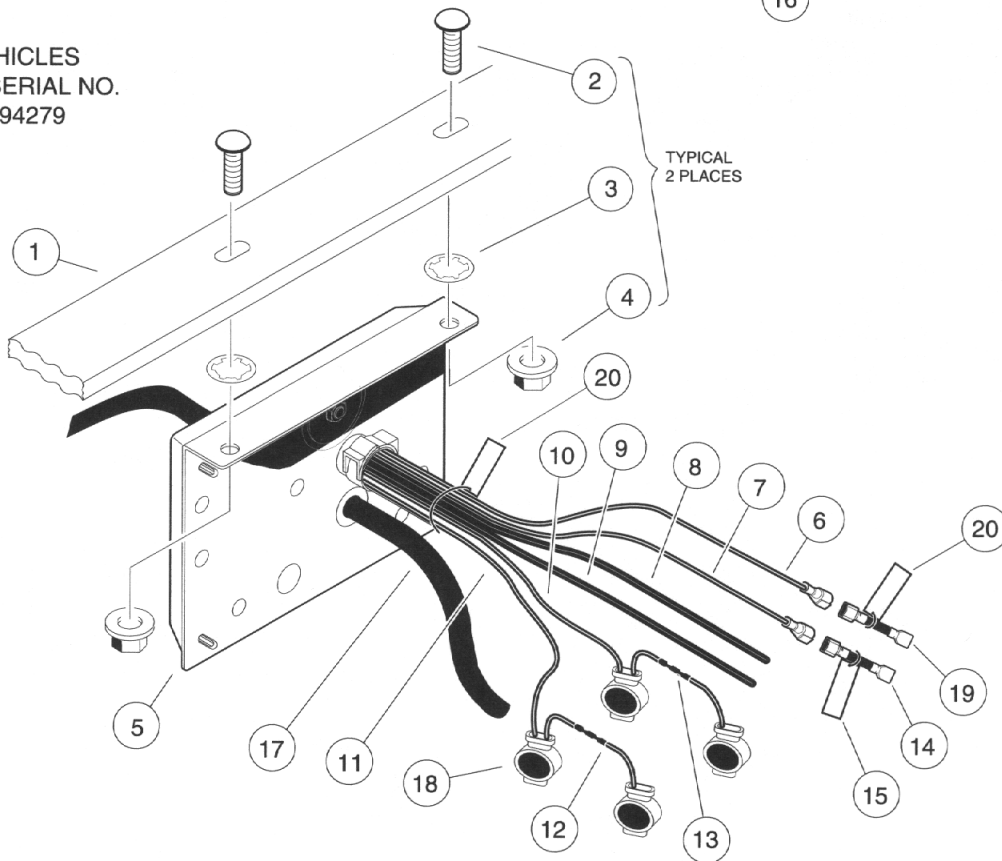
**E**

ITEM	PART NO.	DESCRIPTION	QTY
		1 2 3 4	
1	101840201	CONTROLLER, 48 VOLT (225 AMP) .....	1
2	1016631	NUT, PUSH .....	4
3	1017203	BOLT, CARRIAGE, 1/4 - 20 x 1 .....	4
4	101835601	NUT, HEX FLANGED LOCK, 1/4 - 20 .....	8
5	7174	WASHER, LOCK, 5/16 .....	3
6	1242	NUT, HEX, 5/16 - 18 .....	3
7	1241	WASHER, FLAT, 5/16 .....	6
8	7173	BOLT, HEX HEAD, 5/16 - 18 x 3/4 .....	2
9	1218	BOLT, HEX HEAD, 5/16 - 18 x 1 1/4 .....	1
10	101908701	SOLENOID, 48 VOLT (WITH DIODE) (INCLUDES ITEMS 11 - 15) .....	1
11	1012528	NUT, HEX, M8 .....	2
12	7174	WASHER, LOCK, 5/16 .....	2
13	1016545	NUT, HEX, M5 x .8 .....	2
14	N/A	WASHER, LOCK .....	2
15	N/A	WASHER, FLAT .....	2
16	451	WASHER, LOCK, 1/4 .....	4
17	332	WASHER, FLAT, 1/4 .....	2
18	1014947	ASSEMBLY, RESISTOR .....	1
19	1014948	ASSEMBLY, DIODE (SERVICE PART ONLY) .....	1
20	1028	NUT, HEX, 1/4 - 20 .....	4
21	101902601	BOOT, WIRE .....	1
22	304	BOLT, HEX HEAD, 1/4 - 20 x 1 .....	2
23	1015837	PLATE, CONTROLLER MOUNTING .....	2
24	1015838	BRACKET, SOLENOID MOUNTING .....	1
25	7847	BOLT, HEX HEAD, 1/4 - 20 x 3/4 .....	2

FOR VEHICLES  
SERIAL NO. 9615-494279  
AND LATER



FOR VEHICLES  
PRIOR TO SERIAL NO.  
9615-494279



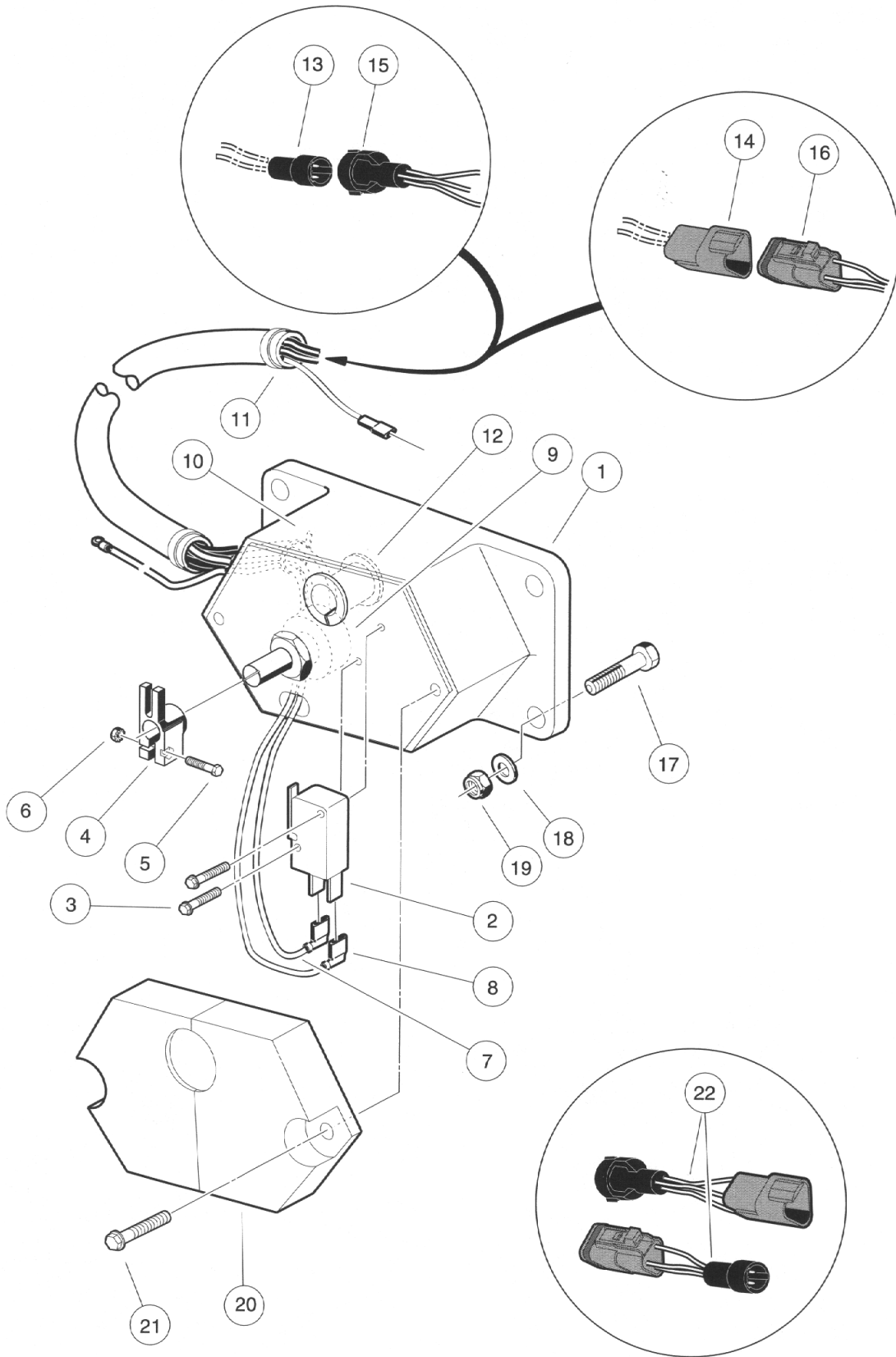


# ONBOARD COMPUTER POWERDRIVE SYSTEM 48 VEHICLE

**12**

**E**

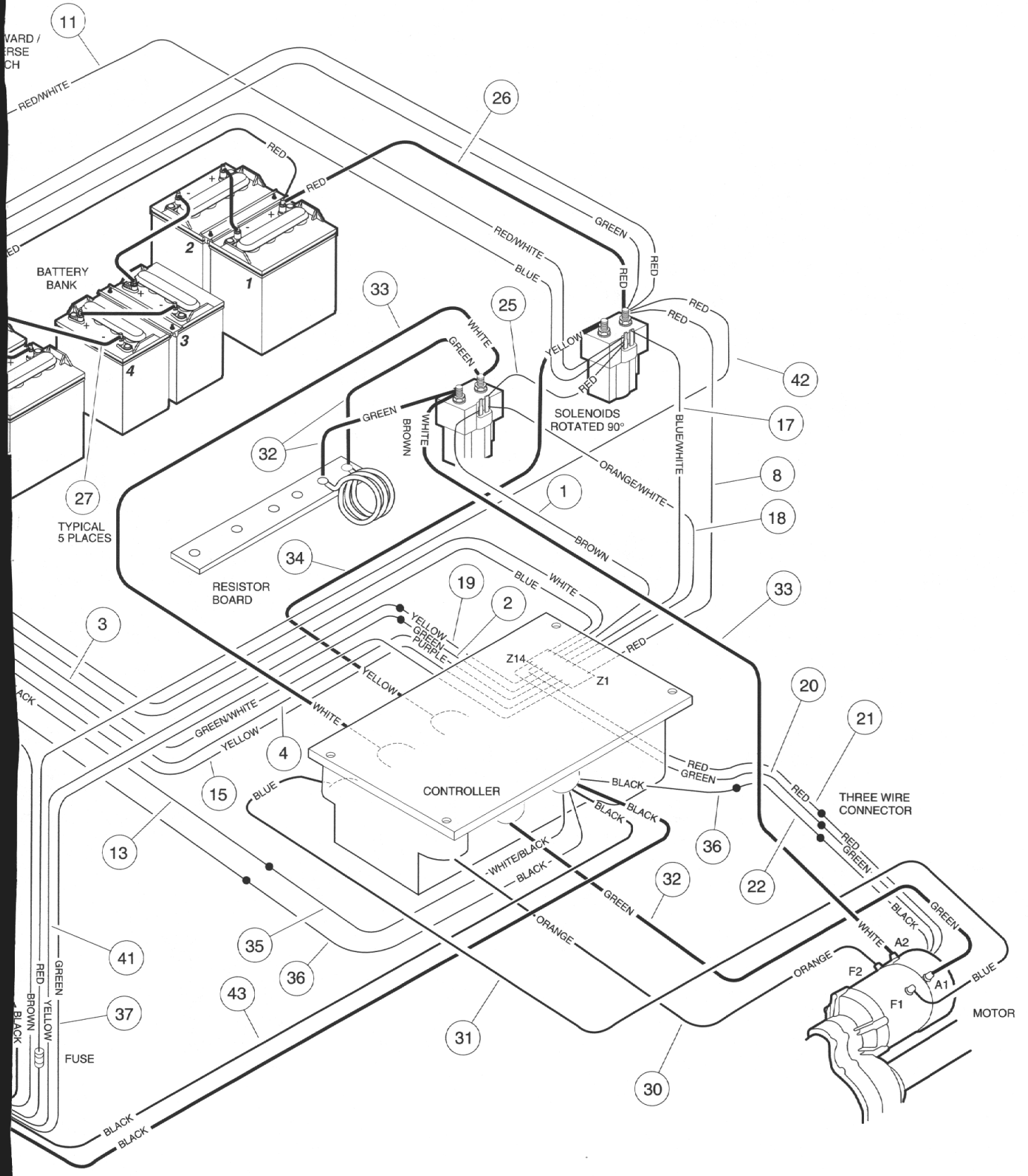
ITEM	PART NO.	DESCRIPTION	QTY
		1 2 3 4	
1	1015837	PLATE, CONTROLLER MOUNTING .....	1
2	1017203	BOLT, CARRIAGE, 1/4 - 20 x 1 .....	2
3	1016631	NUT, PUSH, 3/16 .....	2
4	101835601	NUT, HEX FLANGED LOCK, 1/4 - 20 .....	2
5	101800606	COMPUTER, ONBOARD (INCLUDES ITEMS 6 - 17) .....	1
6	N/A	WIRE ASSEMBLY, #18 BROWN .....	1
7	N/A	WIRE ASSEMBLY, #18 GRAY .....	1
8	N/A	WIRE ASSEMBLY, #10 BLACK .....	1
9	N/A	WIRE ASSEMBLY, #10 BLACK .....	1
10	N/A	WIRE ASSEMBLY, #18 RED .....	1
11	N/A	WIRE ASSEMBLY, #18 YELLOW .....	1
12	101877901	FUSE ASSEMBLY, YELLOW WIRE (FOR VEHICLES PRIOR TO SERIAL NUMBER 9615-494279) .....	1
13	101877801	FUSE ASSEMBLY, RED WIRE (FOR VEHICLES PRIOR TO SERIAL NUMBER 9615-494279) .....	1
14	101863301	FUSE ASSEMBLY, 1/4 AMP (AT GRAY WIRE) (FOR VEHICLES PRIOR TO SERIAL NUMBER 9615-494279) (INCLUDES ITEM 15) .....	1
15	N/A	LABEL, WARNING .....	1
16	101894901	FUSE ASSEMBLY, 3/8 AMP (FOR VEHICLES SERIAL NUMBER 9615-494279 AND LATER) .....	2
17	101827801	KIT, WIRE AND TERMINAL, #6 BLACK .....	1
18	101884301	CONNECTOR, SILICON FILLED (FOR IN-LINE FUSE REPLACEMENT) .....	A/R
19	101863302	FUSE ASSEMBLY, 1/4 AMP (AT BROWN WIRE) (FOR VEHICLES PRIOR TO SERIAL NUMBER 9615-494279) .....	1
20	101884401	LABEL, RED WARNING .....	2

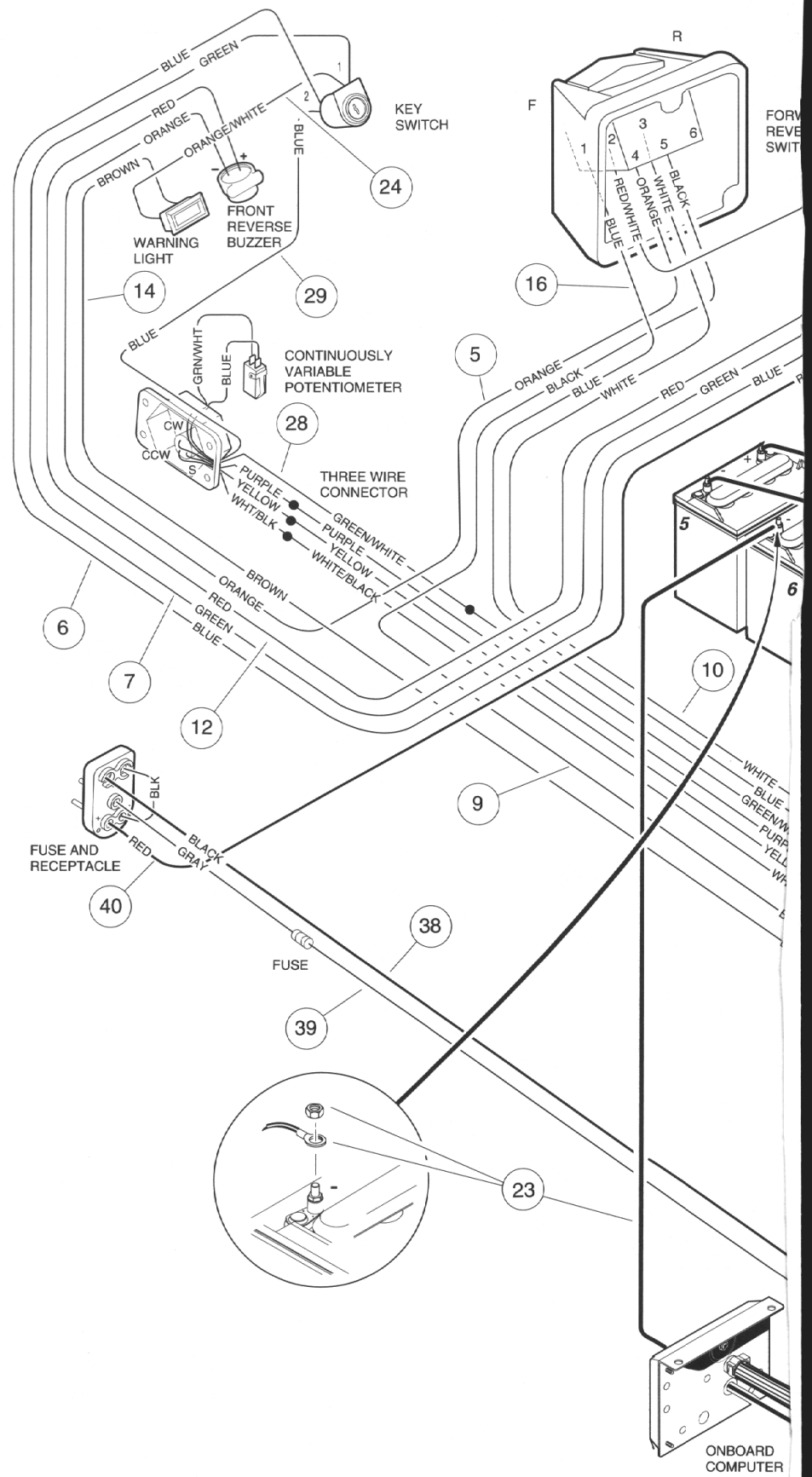


# CONTINUOUSLY VARIABLE POTENTIOMETER POWERDRIVE SYSTEM 48 AND POWERDRIVE PLUS

**12**  
**E**

ITEM	PART NO.	DESCRIPTION	QTY
		1 2 3 4	
	101739202	ASSEMBLY, POTENTIOMETER HOUSING WITH BLACK PLUG (INCLUDES ITEMS 1 - 13) (FOR VEHICLES PRIOR TO SERIAL NUMBER 9628-508740) .....	1
	101739201	ASSEMBLY, POTENTIOMETER HOUSING WITH GRAY PLUG (INCLUDES ITEMS 1 - 12 AND 14) (FOR VEHICLES SERIAL NUMBER 9628-508740 AND LATER) .....	1
1	N/A	HOUSING, POTENTIOMETER .....	1
2	1017830	SWITCH, LIMIT .....	1
3	101822601	SCREW, HEX HEAD, #4 - 24 .....	2
4	101809001	LEVER, POTENTIOMETER .....	1
5	1017853	SCREW, HEX HEAD, #6 - 32 x 3/4 .....	1
6	1011229	NUT, LOCK, "K", #6 - 32 .....	1
7	1017393	WIRE ASSEMBLY, #18 BLUE .....	1
8	1017394	WIRE ASSEMBLY, #18 GREEN/WHITE .....	1
9	N/A	POTENTIOMETER .....	1
10	8168	WRAP, TIE .....	3
11	N/A	CONDUIT, ELECTRICAL .....	1
12	1017424	BEARING, PIVOT SUPPORT .....	1
13	101857301	HOUSING, FEMALE, 3-WIRE BLACK (FOR VEHICLES PRIOR TO SERIAL NUMBER 9628-508740).....	1
14	101895101	HOUSING, FEMALE, 3-WIRE GRAY (FOR VEHICLES SERIAL NUMBER 9628-508740 AND LATER) .....	1
15	101857101	HOUSING, MALE, 3-WIRE BLACK (FOR VEHICLES PRIOR TO SERIAL NUMBER 9628-508740) .....	1
16	101920101	HOUSING, MALE, 3-WIRE GRAY (FOR VEHICLES SERIAL NUMBER 9628-508740 AND LATER) .....	1
17	101861901	SCREW, HEX HEAD CAP, 1/4 - 20 x 1 1/8 .....	4
18	332	WASHER, FLAT, 1/4 .....	4
19	8233	NUT, NYLON LOCK, 1/4 - 20 .....	4
20	1017743	COVER, ACCELERATOR .....	1
21	101804301	SCREW, HI-LO HEX HEAD, #8 - 18 x 1/2 .....	2
22	101894501	ASSEMBLIES, ADAPTER PLUG (2 PIECES) (ADAPTS A POTENTIOMETER ASSEMBLY WITH A GRAY PLUG TO A WIRE HARNESS WITH A BLACK PLUG, OR, ADAPTS A POTENTIOMETER ASSEMBLY WITH A BLACK PLUG TO A WIRE HARNESS WITH A GRAY PLUG) .....	A/R





12

E

FOLDOUT ILLUSTRATION

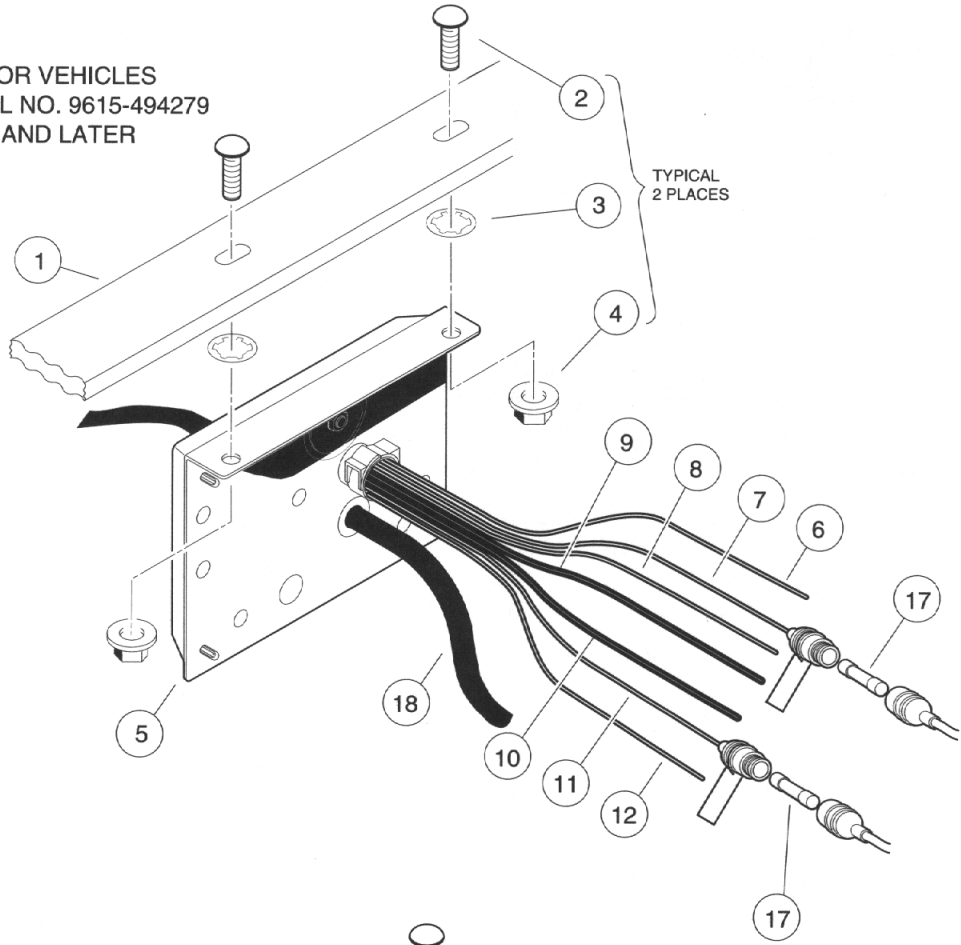
# WIRING - POWERDRIVE PLUS VEHICLE

12

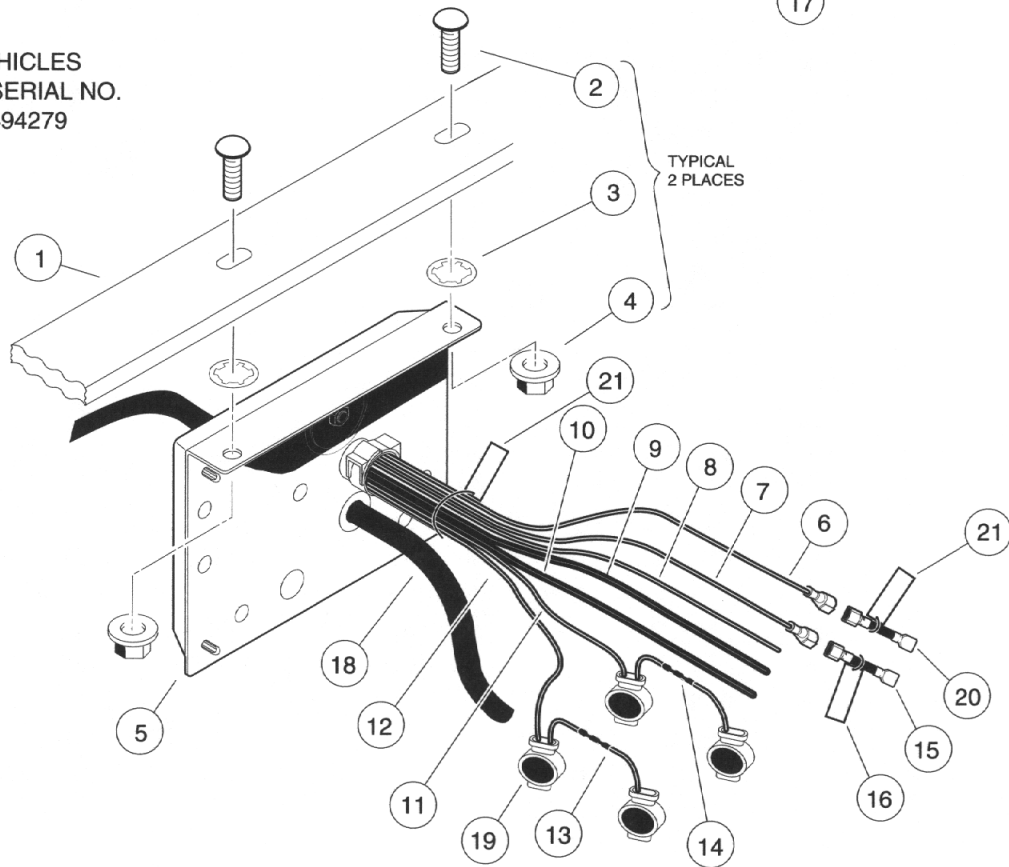
E

ITEM	PART NO.	DESCRIPTION	QTY
		1 2 3 4	
	101860801	WIRE HARNESS (INCLUDES ITEMS 1 - 22) .....	1
1	N/A	WIRE ASSEMBLY, #18 BROWN .....	1
2	N/A	WIRE ASSEMBLY, #18 GREEN .....	1
3	N/A	WIRE ASSEMBLY, #18 GREEN/WHITE .....	1
4	N/A	WIRE ASSEMBLY, #18 PURPLE .....	1
5	N/A	WIRE ASSEMBLY, #18 ORANGE .....	1
6	N/A	WIRE ASSEMBLY, #18 BLUE .....	1
7	N/A	WIRE ASSEMBLY, #18 GREEN .....	1
8	N/A	WIRE ASSEMBLY, #18 RED .....	1
9	N/A	WIRE ASSEMBLY, #18 BLACK .....	1
10	N/A	WIRE ASSEMBLY, #18 WHITE .....	1
11	N/A	WIRE ASSEMBLY, #18 RED/WHITE .....	1
12	N/A	WIRE ASSEMBLY, #18 RED .....	1
13	N/A	WIRE ASSEMBLY, #18 WHITE/BLACK .....	1
14	N/A	WIRE ASSEMBLY, #18 BROWN .....	1
15	N/A	WIRE ASSEMBLY, #18 YELLOW .....	1
16	N/A	WIRE ASSEMBLY, #18 BLUE .....	1
17	N/A	WIRE ASSEMBLY, #18 BLUE/WHITE .....	1
18	N/A	WIRE ASSEMBLY, #18 ORANGE/WHITE .....	1
19	N/A	WIRE ASSEMBLY, #18 YELLOW .....	1
20	N/A	WIRE ASSEMBLY, #18 GREEN .....	1
21	N/A	WIRE ASSEMBLY, #18 RED .....	1
22	N/A	WIRE ASSEMBLY, #18 BLACK .....	1
23	101827801	KIT, WIRE AND TERMINAL, #6 BLACK .....	1
24	N/A	WIRE ASSEMBLY, #18 ORANGE/WHITE .....	1
25	N/A	WIRE ASSEMBLY, #18 RED .....	1
26	101837601	WIRE ASSEMBLY, #6 RED .....	1
27	101795701	WIRE ASSEMBLY, #6 BLACK .....	5
28	N/A	WIRE ASSEMBLY, #18 GREEN/WHITE .....	1
29	N/A	WIRE ASSEMBLY, #18 BLUE .....	1
30	101853501	WIRE ASSEMBLY, #10 ORANGE .....	1
31	101853601	WIRE ASSEMBLY, #10 BLUE .....	1
32	1015860	WIRE ASSEMBLY, #6 GREEN .....	3
33	1015861	WIRE ASSEMBLY, #6 WHITE .....	2
34	1015858	WIRE ASSEMBLY, #6 YELLOW .....	1
35	N/A	WIRE ASSEMBLY, #18 BLACK/WHITE .....	1
36	N/A	WIRE ASSEMBLY, #18 BLACK .....	2
37	N/A	WIRE ASSEMBLY, #18 GREEN (PART OF ONBOARD COMPUTER ASSEMBLY) .....	1
38	N/A	WIRE ASSEMBLY, #10 BLACK (PART OF ONBOARD COMPUTER ASSEMBLY) .....	1
39	N/A	WIRE ASSEMBLY, #18 GREY (PART OF ONBOARD COMPUTER ASSEMBLY) .....	1
40	N/A	WIRE ASSEMBLY, #10 RED (PART OF FUSE AND RECEPTACLE ASSEMBLY) .....	1
41	N/A	WIRE ASSEMBLY, #18 YELLOW (PART OF ONBOARD COMPUTER ASSEMBLY) .....	1
42	N/A	WIRE ASSEMBLY, #18 RED (PART OF ONBOARD COMPUTER ASSEMBLY) .....	1
43	N/A	WIRE ASSEMBLY, #10 BLACK (PART OF ONBOARD COMPUTER ASSEMBLY) .....	1

FOR VEHICLES  
SERIAL NO. 9615-494279  
AND LATER



FOR VEHICLES  
PRIOR TO SERIAL NO.  
9615-494279



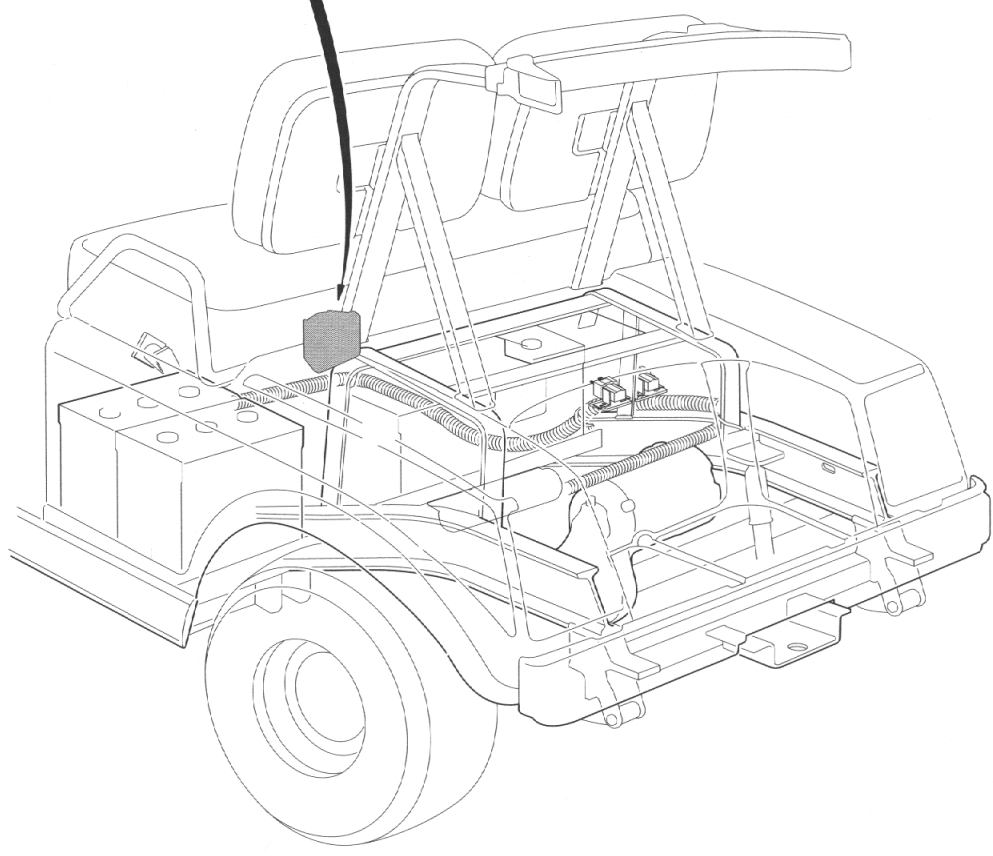
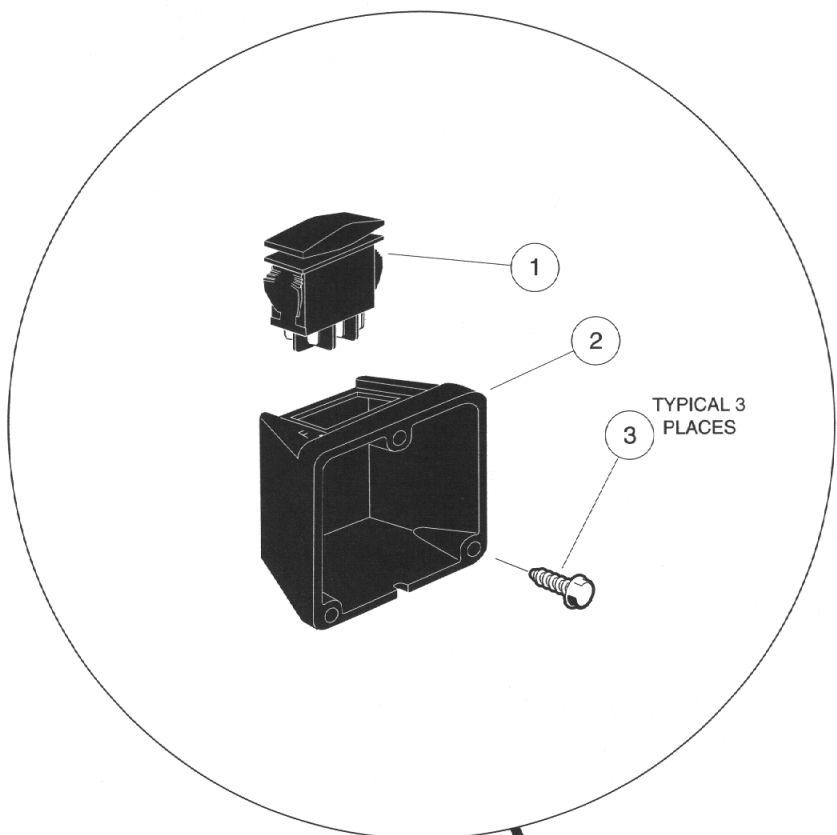


# ONBOARD COMPUTER POWERDRIVE PLUS VEHICLE

**12**

**E**

ITEM	PART NO.	DESCRIPTION	QTY
		1 2 3 4	
1	1015837	PLATE, CONTROLLER MOUNTING .....	1
2	1017203	BOLT, CARRIAGE, 1/4 - 20 x 1 .....	2
3	1016631	NUT, PUSH, 3/16 .....	2
4	101835601	NUT, HEX FLANGED LOCK, 1/4 - 20 .....	2
5	101800608	COMPUTER, ONBOARD (INCLUDES ITEMS 6 - 18) .....	1
6	N/A	WIRE ASSEMBLY, #18 BROWN .....	1
7	N/A	WIRE ASSEMBLY, #18 GRAY .....	1
8	N/A	WIRE ASSEMBLY, #18 GREEN .....	1
9	N/A	WIRE ASSEMBLY, #10 BLACK .....	1
10	N/A	WIRE ASSEMBLY, #10 BLACK .....	1
11	N/A	WIRE ASSEMBLY, #18 RED .....	1
12	N/A	WIRE ASSEMBLY, #18 YELLOW .....	1
13	101877901	FUSE ASSEMBLY, YELLOW WIRE (FOR VEHICLES PRIOR TO SERIAL NUMBER 9615-494279) .....	1
14	101877801	FUSE ASSEMBLY, RED WIRE (FOR VEHICLES PRIOR TO SERIAL NUMBER 9615-494279) .....	1
15	101863301	FUSE ASSEMBLY, 1/4 AMP (AT GRAY WIRE) (FOR VEHICLES PRIOR TO SERIAL NUMBER 9615-494279) (INCLUDES ITEM 16) .....	1
16	N/A	LABEL, WARNING .....	1
17	101894901	FUSE ASSEMBLY, 3/8 AMP (FOR VEHICLES SERIAL NUMBER 9615-494279 AND LATER) .....	2
18	101827801	KIT, WIRE AND TERMINAL, #6 BLACK .....	1
19	101884301	CONNECTOR, SILICON FILLED (FOR IN-LINE FUSE REPLACEMENT) .....	4
20	101863302	FUSE ASSEMBLY, 1/4 AMP (AT BROWN WIRE) (FOR VEHICLES PRIOR TO SERIAL NUMBER 9615-494279) .....	1
21	101884401	LABEL, RED WARNING .....	2

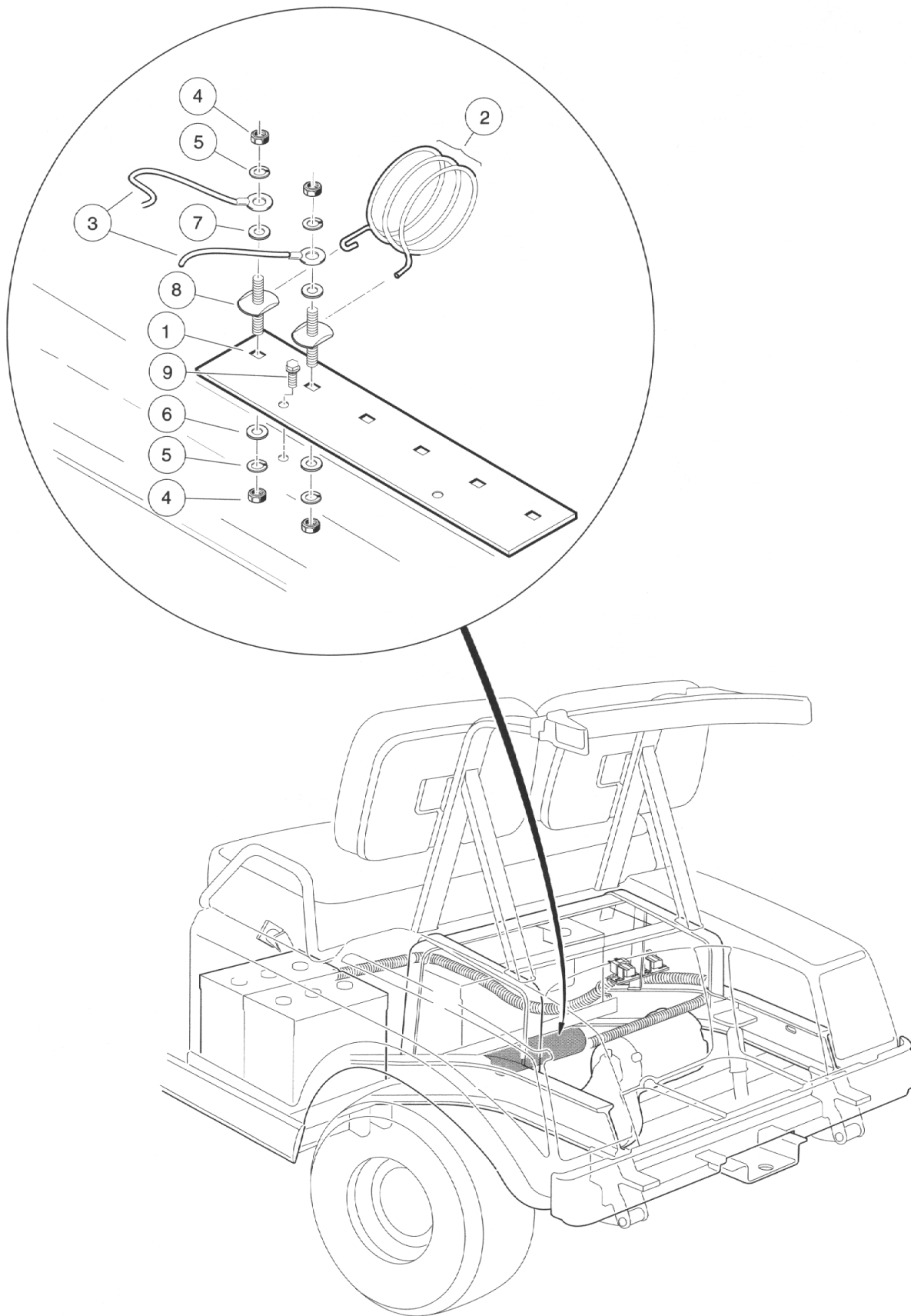


# FORWARD AND REVERSE SWITCH POWERDRIVE PLUS VEHICLE

**12**

**E**

ITEM	PART NO.	DESCRIPTION	QTY
		1 2 3 4	
1	101856001	SWITCH, FORWARD AND REVERSE .....	1
2	101855001	CASE, FORWARD AND REVERSE SWITCH .....	1
3	101856101	SCREW, HI-LO, 1/4 .....	3

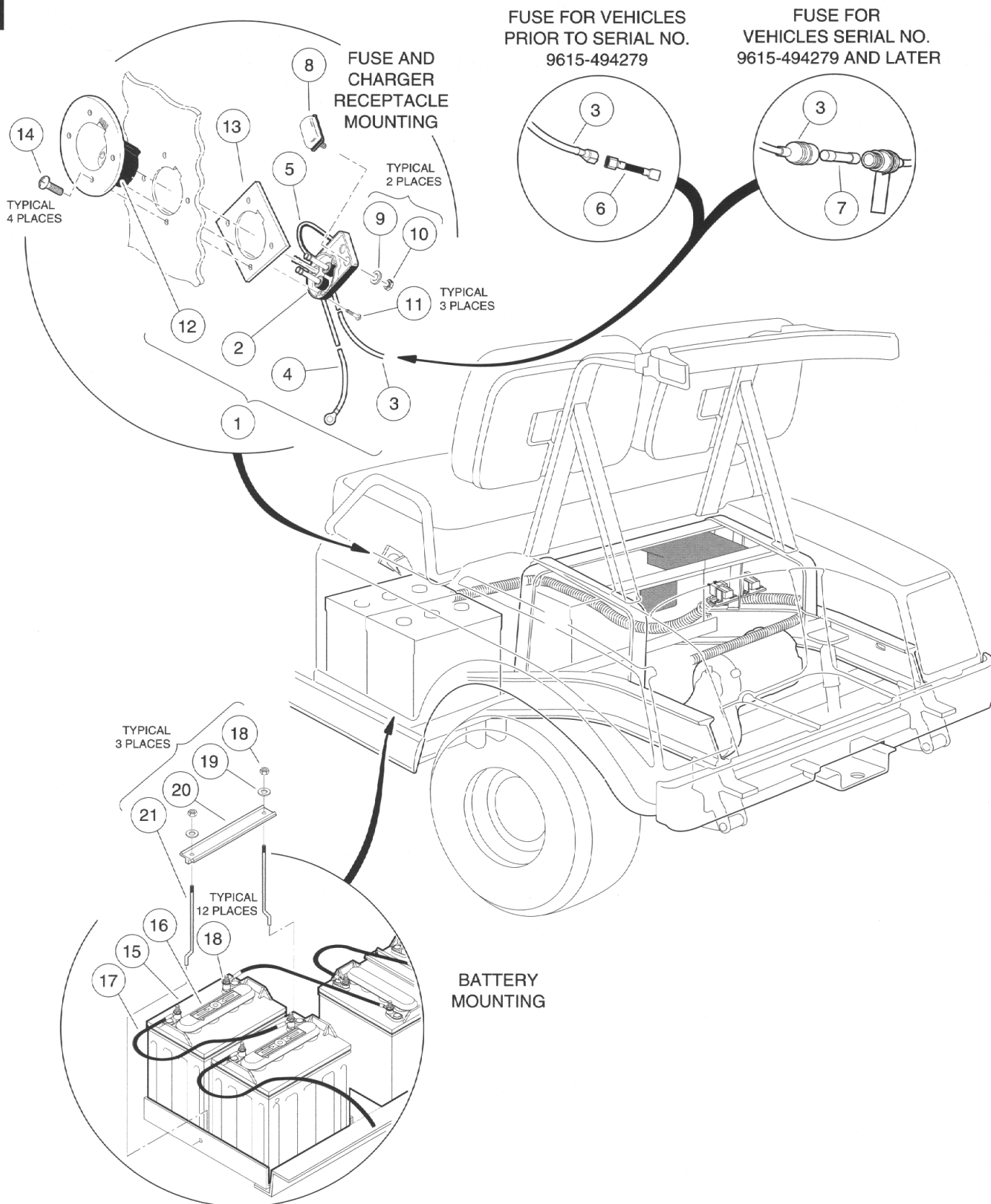


# ENERGY DISPLACEMENT MODULE POWERDRIVE PLUS VEHICLE

**12**

**E**

ITEM	PART NO.	DESCRIPTION	QTY
		1 2 3 4	
	101856601	ASSEMBLY, RESISTOR BOARD (INCLUDES ITEMS 1 - 8) .....	1
1	1014728	BOARD, RESISTOR MOUNTING .....	1
2	1014729	RESISTOR .....	1
3	1015860	WIRE ASSEMBLY, #6 GREEN .....	2
4	1028	NUT, HEX, 1/4 - 20 .....	4
5	451	WASHER, LOCK, 1/4 .....	2
6	332	WASHER, FLAT, 1/4 .....	2
7	1011931	WASHER, FLAT, 1/4 .....	2
8	1014045	STANDOFF, RESISTOR COIL .....	2
9	1012285	SCREW, HEX HEAD, 1/4 - 20 x 5/8 .....	2

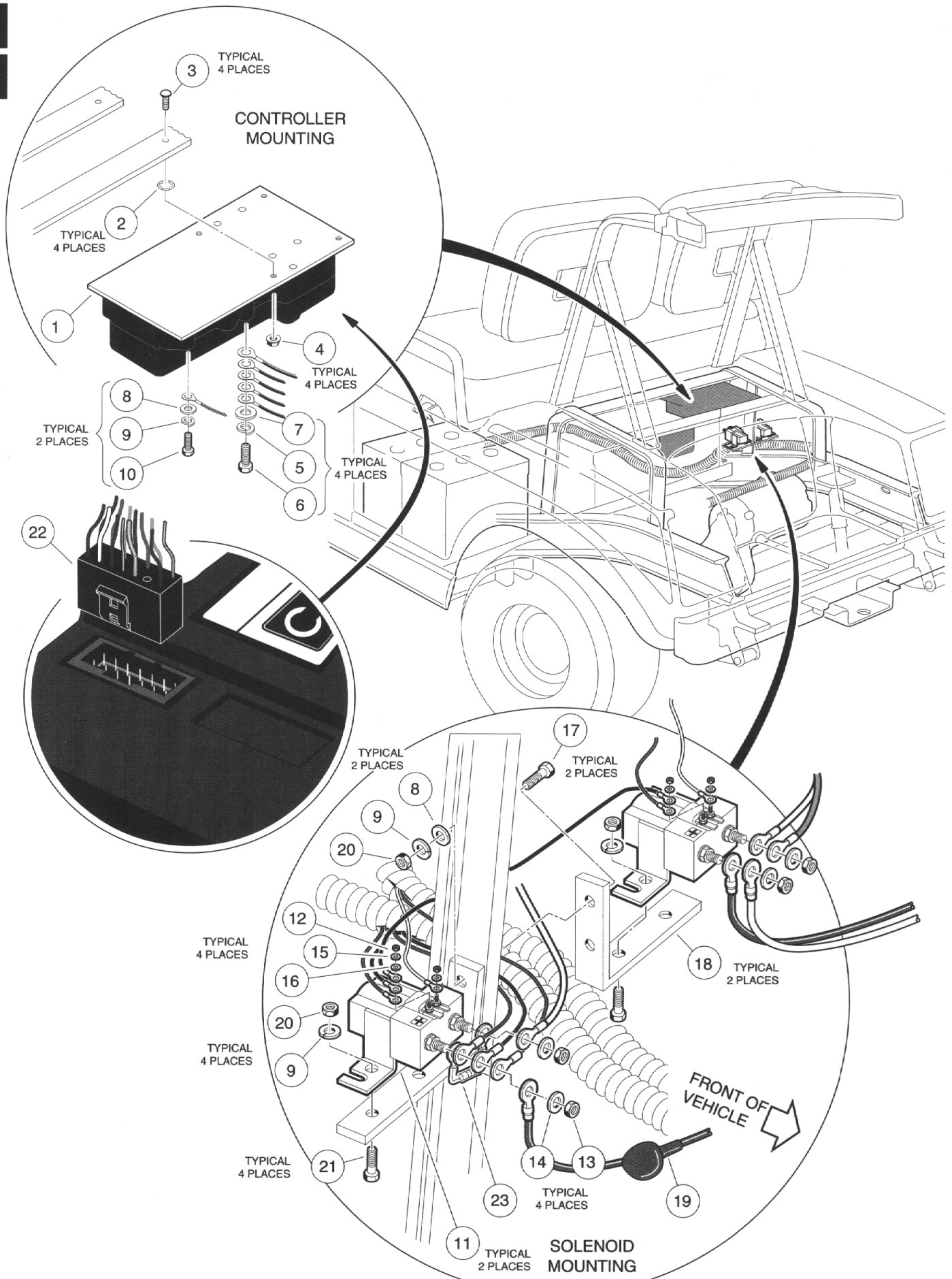


# ELECTRICAL COMPONENTS, REAR BODY POWERDRIVE PLUS VEHICLE

**12**

**E**

ITEM	PART NO.	DESCRIPTION	QTY
		1 2 3 4	
1	101802101	KIT, FUSE AND RECEPTACLE (INCLUDES ITEMS 2 - 12) .....	1
2	101846801	ASSEMBLY, FUSE AND RECEPTACLE (INCLUDES ITEMS 3 - 11) .....	1
3	N/A	WIRE ASSEMBLY, SENSE LEAD, GREY .....	1
4	N/A	WIRE ASSEMBLY, #10 RED .....	1
5	N/A	WIRE ASSEMBLY, #10 BLACK .....	1
6	101863301	ASSEMBLY, FUSE, 1/4 AMP (FOR VEHICLES PRIOR TO SERIAL NUMBER 9615-494279) .....	1
7	101894901	ASSEMBLY, FUSE, 3/8 AMP (FOR VEHICLES SERIAL NUMBER 9615-494279 AND LATER) .....	1
8	101796801	ASSEMBLY, FUSE, 48 VOLT (INCLUDES ITEMS 9 AND 10) .....	1
9	1018038	WASHER, NARROW TYPE 13, #10 .....	2
10	1018028	NUT, SERRATED, #10 - 32 .....	2
11	1017705	SCREW, PHILLIPS PAN HEAD, #8 TYPE AB .....	3
12	101796501	BEZEL, RECEPTACLE .....	1
13	101801001	PLATE, RECEPTACLE BACKING .....	1
14	101832001	SCREW, PHILLIPS PAN HEAD, #7 - 18 x 3/4 .....	4
15	101797701	BATTERY, 8 VOLT POWERDRIVE .....	6
15	101797702	BATTERY, 8 VOLT POWERDRIVE, DRY .....	6
16	101797801	CAP, BATTERY, 4 PORT GANG .....	6
17	1017957	WIRE ASSEMBLY, #6 BLACK .....	5
18	1014304	NUT, STAINLESS STEEL HEX, 5/16 - 18 .....	18
19	1011578	WASHER, FLAT, TYPE B WIDE, 5/16 .....	6
20	101090801	HOLD-DOWN, BATTERY .....	3
21	1013683	BOLT, "J" .....	6





# ELECTRICAL COMPONENTS, REAR BODY POWERDRIVE PLUS VEHICLE

**12**

**E**

ITEM	PART NO.	DESCRIPTION	QTY
		1 2 3 4	
1	101853701	CONTROLLER, 48 VOLT (225 AMP) .....	1
2	1016631	NUT, PUSH .....	4
3	1017203	BOLT, CARRIAGE, 1/4 - 20 x 1 .....	4
4	101835601	NUT, HEX FLANGED LOCK, 1/4 - 20 .....	4
5	7174	WASHER, LOCK, 5/16 .....	4
6	1015331	BOLT, HEX HEAD, M8 x 1 1/4 x 25 MM .....	4
7	1241	WASHER, FLAT, 5/16 .....	4
8	332	WASHER, FLAT, 1/4 .....	4
9	451	WASHER, LOCK, 1/4 .....	8
10	101855701	BOLT, HEX HEAD, M6 x 1 x 25 MM .....	2
11	101908701	SOLENOID, 48 VOLT (WITH DIODE) (INCLUDES ITEMS 12 - 16) .....	2
12	1016545	NUT, HEX, M5 x .8 .....	4
13	1012528	NUT, HEX, M8 .....	4
14	7174	WASHER, LOCK, 5/16 .....	4
15	N/A	WASHER, LOCK .....	2
16	N/A	WASHER, FLAT .....	2
	1014948	ASSEMBLY, DIODE (SERVICE PART ONLY - NOT PICTURED) .....	2
17	304	BOLT, HEX HEAD, 1/4 - 20 x 1 .....	2
18	1015838	BRACKET, SOLENOID MOUNTING .....	2
19	101902601	BOOT, WIRE .....	1
20	1028	NUT, HEX, 1/4 - 20 .....	6
21	7847	BOLT, HEX HEAD, 1/4 - 20 x 3/4 .....	4
22	101855501	"Z" PLUG .....	1
	101855401	SEAL, "Z" PLUG (NOT PICTURED) .....	1
23	1014947	ASSEMBLY, RESISTOR .....	1

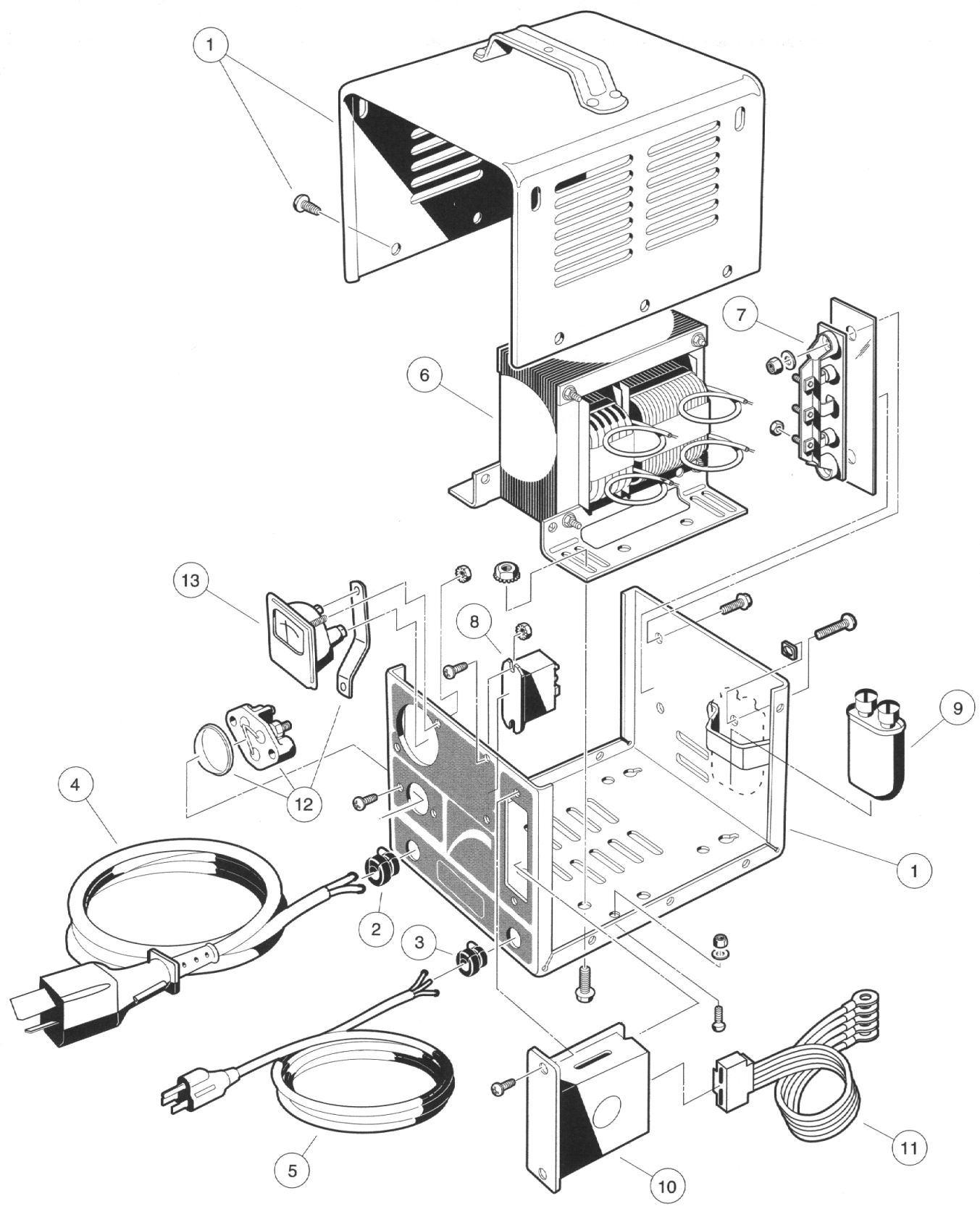


# BATTERY CHARGERS

---

**13**

**E**

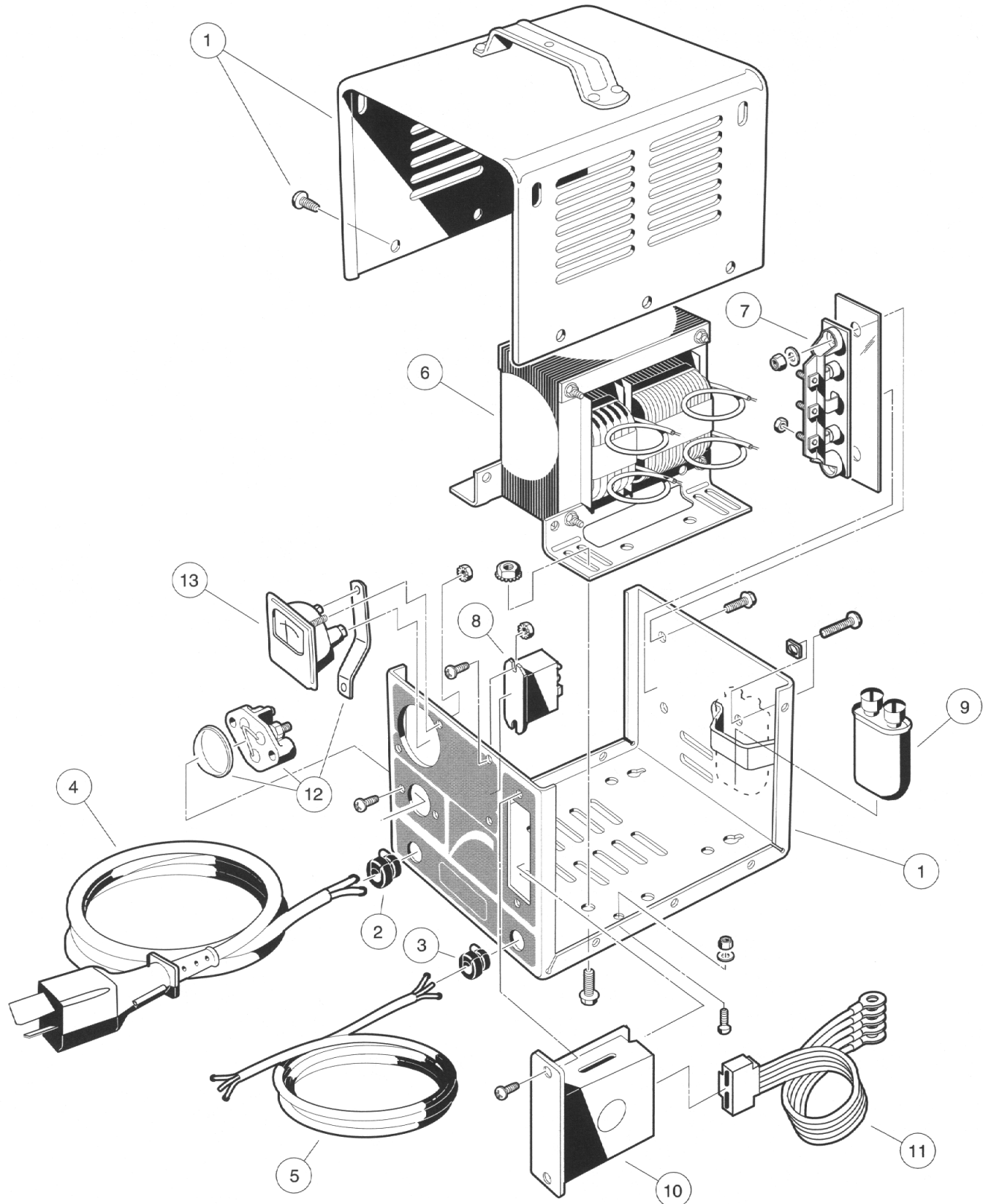


# ACCU-POWER CHARGER, DOMESTIC V-GLIDE 36 VOLT VEHICLE

**13**

**E**

ITEM	PART NO.	DESCRIPTION	QTY
		1 2 3 4	
	101646401	CHARGER, ACCU-POWER, DOMESTIC, 120 VAC, 36 VDC, 60 HZ (MODEL NUMBER 13800-11) (INCLUDES ITEMS 1 - 13) 108 IN. DC CORD 72 IN. AC CORD .....	1
1	1015907	ASSEMBLY, CASE (INCLUDES FASTENERS) .....	1
2	1012098	BUSHING, STRAIN RELIEF, 12 AWG DC CORD .....	1
2	1012042	BUSHING, STRAIN RELIEF, 10 AWG DC CORD .....	1
3	1015917	BUSHING, STRAIN RELIEF, AC CORD .....	1
4	101643301	CORDSET, DC, 108 INCHES LONG (STANDARD) 12 AWG .....	1
4	101643302	CORDSET, DC, 146 INCHES LONG, 10 AWG .....	1
4	101643303	CORDSET, DC, 242 INCHES LONG, 10 AWG .....	1
5	101591601	CORDSET, AC, 72 INCHES LONG (STANDARD) .....	1
5	101591602	CORDSET, AC, 108 INCHES LONG .....	1
6	1015912	ASSEMBLY, TRANSFORMER .....	1
7	1015914	ASSEMBLY, HEATSINK, WITH DIODES (INCLUDES MOUNTING HARDWARE) .....	1
8	1015911	36 VDC RELAY .....	1
9	1015910	CAPACITOR .....	1
10	1015906	ASSEMBLY, TIMER KIT (INCLUDES MOUNTING HARDWARE) .....	1
11	1015913	ASSEMBLY, CONTROL CABLE .....	1
12	1012101	ASSEMBLY, FUSE (INCLUDES MOUNTING HARDWARE) .....	1
13	1015905	AMMETER (INCLUDES MOUNTING HARDWARE) .....	1

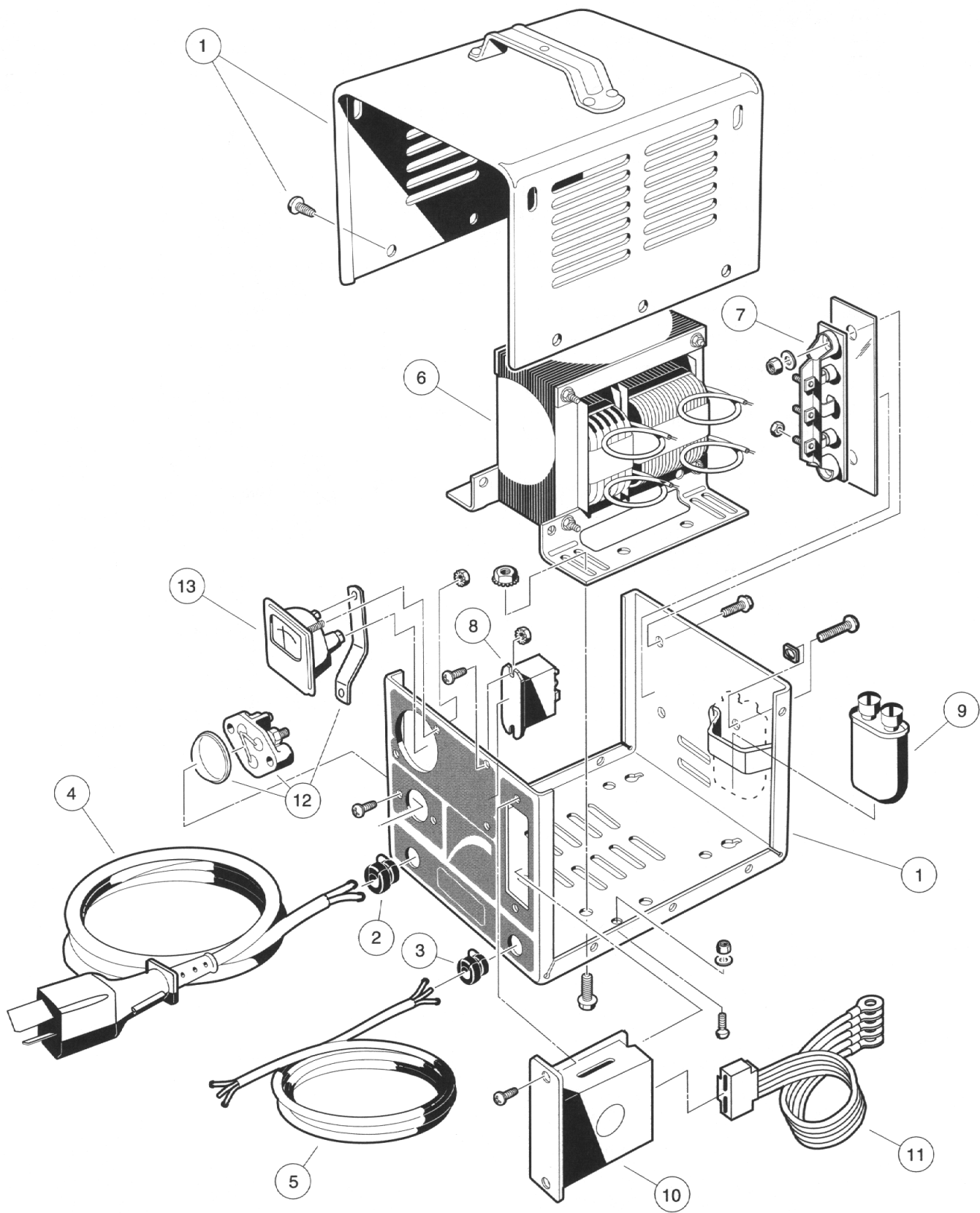


# ACCU-POWER CHARGER, EXPORT, 230 VOLT V-GLIDE 36 VOLT VEHICLE

**13**

**E**

ITEM	PART NO.	DESCRIPTION	QTY
		1 2 3 4	
	101643401	CHARGER, ACCU-POWER, EXPORT, 230 VAC, 36 VDC, 50 HZ (MODEL NUMBER 14410-11) (INCLUDES ITEMS 1 - 13) 108 IN. DC CORD 108 IN. AC CORD .....	1
1	1015907	ASSEMBLY, CASE (INCLUDES FASTENERS) .....	1
2	1012098	BUSHING, STRAIN RELIEF, 12 AWG DC CORD .....	1
2	1012042	BUSHING, STRAIN RELIEF, 10 AWG DC CORD .....	1
3	1015917	BUSHING, STRAIN RELIEF, AC CORD .....	1
4	101643301	CORDSET, DC, 108 INCHES LONG, 12 AWG (STANDARD) .....	1
4	101643302	CORDSET, DC, 146 INCHES LONG, 10 AWG .....	1
4	101643303	CORDSET, DC, 242 INCHES LONG, 10 AWG .....	1
5	1014696	CORDSET, AC, 108 INCHES LONG (STANDARD) .....	1
6	1015936	ASSEMBLY, TRANSFORMER .....	1
7	1015914	ASSEMBLY, HEATSINK, WITH DIODES (INCLUDES MOUNTING HARDWARE) .....	1
8	1015911	36 VDC RELAY .....	1
9	1015910	CAPACITOR .....	1
10	1015906	ASSEMBLY, TIMER KIT (INCLUDES MOUNTING HARDWARE) .....	1
11	1015913	ASSEMBLY, CONTROL CABLE .....	1
12	1012101	ASSEMBLY, FUSE (INCLUDES MOUNTING HARDWARE) .....	1
13	1015905	AMMETER (INCLUDES MOUNTING HARDWARE) .....	1



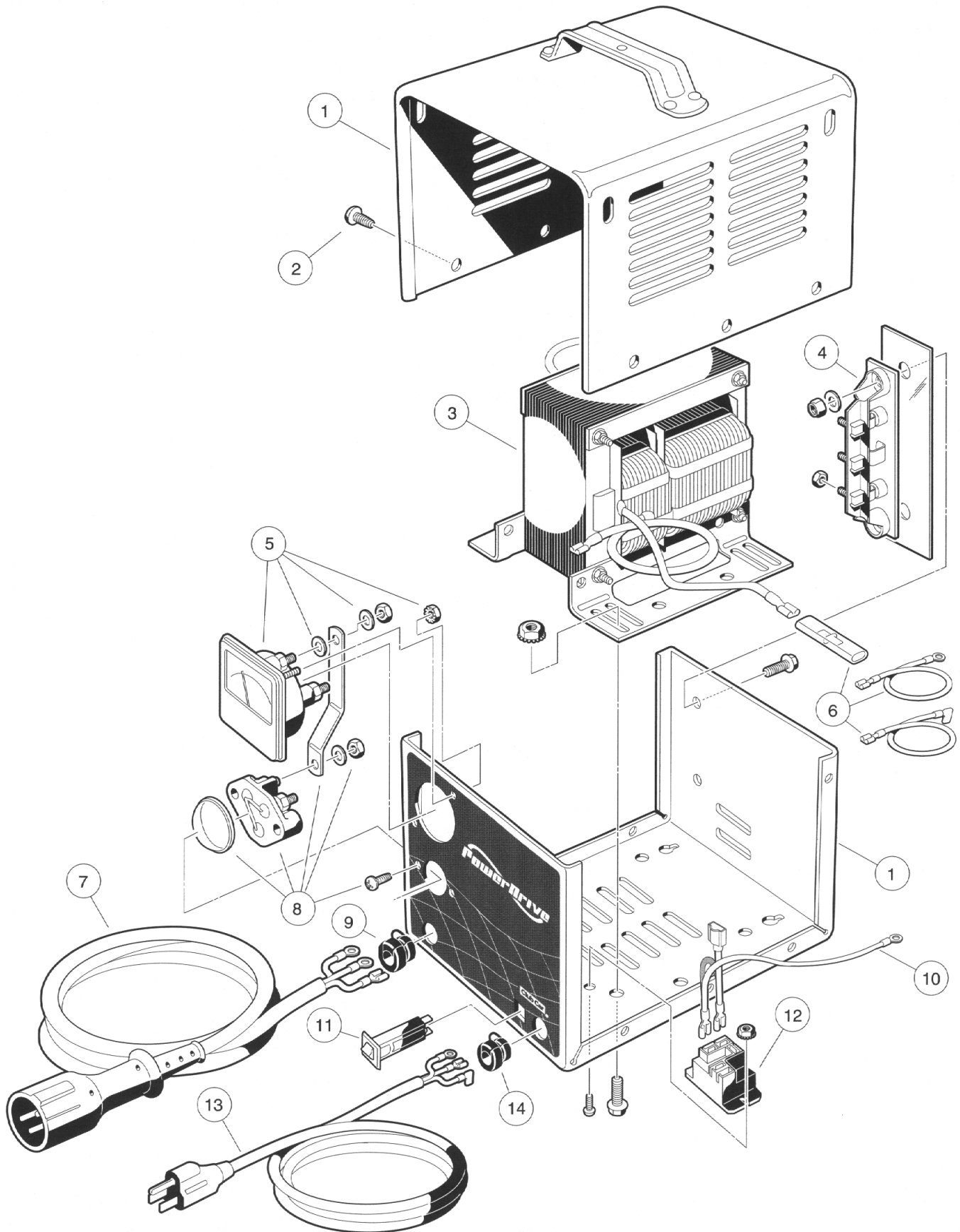


# ACCU-POWER CHARGER, EXPORT, 100 VOLT V-GLIDE 36 VOLT VEHICLE

**13**

**E**

ITEM	PART NO.	DESCRIPTION	QTY
		1 2 3 4	
	101646201	CHARGER, ACCU-POWER, EXPORT, 100 VAC, 36 VDC, 50 HZ (MODEL NUMBER 14900) (INCLUDES ITEMS 1 - 13) 108 IN. DC CORD 108 IN. AC CORD .....	1
1	1016283	ASSEMBLY, CASE (INCLUDES FASTENERS) .....	1
2	1012098	BUSHING, STRAIN RELIEF, 12 AWG DC CORD .....	1
2	1012042	BUSHING, STRAIN RELIEF, 10 AWG DC CORD .....	1
3	1015917	BUSHING, STRAIN RELIEF, AC CORD .....	1
4	101643301	CORDSET, DC, 108 INCHES LONG, 12 AWG (STANDARD) .....	1
4	101643302	CORDSET, DC, 146 INCHES LONG, 10 AWG .....	1
4	101643303	CORDSET, DC, 242 INCHES LONG, 10 AWG .....	1
5	1016282	CORDSET, AC, 108 INCHES LONG .....	1
6	1016336	ASSEMBLY, TRANSFORMER .....	1
7	1015914	ASSEMBLY, HEATSINK, WITH DIODES (INCLUDES MOUNTING HARDWARE) .....	1
8	1015911	36 VDC RELAY .....	1
9	1015939	CAPACITOR .....	1
10	1015906	ASSEMBLY, TIMER KIT (INCLUDES MOUNTING HARDWARE) .....	1
11	1015913	ASSEMBLY, CONTROL CABLE .....	1
12	1012101	ASSEMBLY, FUSE (INCLUDES MOUNTING HARDWARE) .....	1
13	1015905	AMMETER (INCLUDES MOUNTING HARDWARE) .....	1

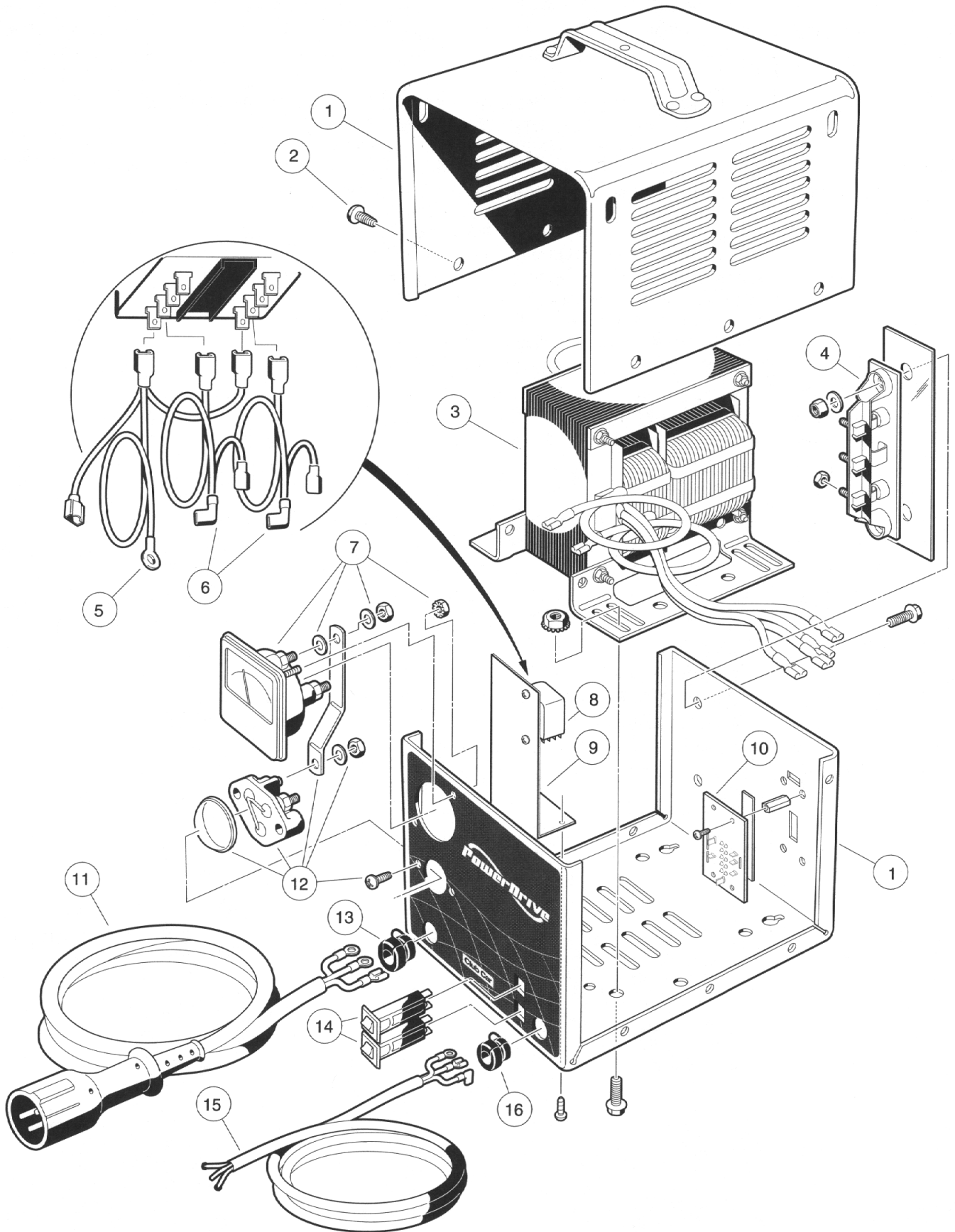


# POWERDRIVE CHARGER, DOMESTIC POWERDRIVE SYSTEM 48 AND POWERDRIVE PLUS

**13**

**E**

ITEM	PART NO.	DESCRIPTION	QTY
		1 2 3 4	
	101802201	CHARGER, BATTERY, POWERDRIVE, DOMESTIC 120VAC 48VDC 60 HZ (MODEL NUMBER 17930-11) (INCLUDES ITEMS 1 - 14) 103 IN. DC CORD WITH MALE 3-PIN PLUG, 12 AWG 74 IN. AC CORD WITH MALE GROUNDED PLUG .....	1
	101802202	CHARGER, BATTERY, POWERDRIVE 120VAC 48VDC 60 HZ (MODEL NUMBER 17930-18) (INCLUDES ITEMS 1 - 14) 144 IN. DC CORD WITH MALE 3-PIN PLUG, 12 AWG 108 IN. AC CORD WITH MALE GROUNDED PLUG .....	1
	101802203	CHARGER, BATTERY, POWERDRIVE 120VAC 48VDC 60 HZ (MODEL NUMBER 17930-19) (INCLUDES ITEMS 1 - 14) 240 IN. DC CORD WITH MALE 3-PIN PLUG, 12 AWG 108 IN. AC CORD WITH MALE GROUNDED PLUG .....	1
1	101828301	ASSEMBLY, CASE (INCLUDES FASTENERS) .....	1
2	7577	SCREW, PAN HEAD, SELF-TAPPING, #10 - 16 x 1/2 .....	10
3	101819701	ASSEMBLY, TRANSFORMER .....	1
4	1015914	ASSEMBLY, HEATSINK, WITH DIODES (INCLUDES MOUNTING HARDWARE) .....	1
5	101828501	AMMETER (INCLUDES MOUNTING HARDWARE) .....	1
6	101831101	KIT, WIRE ASSEMBLY .....	1
7	101828901	CORDSET, DC, 113 INCHES LONG WITH MALE 3-PIN PLUG, 12 AWG .....	1
7	101828902	CORDSET, DC, 154 INCHES LONG WITH MALE 3-PIN PLUG, 12 AWG .....	1
7	101828903	CORDSET, DC, 250 INCHES LONG WITH MALE 3-PIN PLUG, 12 AWG .....	1
8	1012101	ASSEMBLY, FUSE (INCLUDES MOUNTING HARDWARE) .....	1
9	1012098	BUSHING, STRAIN RELIEF, DC CORD, 12 AWG .....	1
10	101914401	ASSEMBLY, VOLTAGE SUPPRESSOR .....	1
11	101828701	BREAKER, CIRCUIT, 15 AMP .....	1
12	101828601	RELAY, POWER, 48 VDC .....	1
13	101828801	CORDSET, AC, 80 INCHES LONG .....	1
13	101828802	CORDSET, AC, 116 INCHES LONG .....	1
14	1015917	BUSHING, STRAIN RELIEF, AC CORD .....	1



# POWERDRIVE CHARGER, EXPORT POWERDRIVE SYSTEM 48 AND POWERDRIVE PLUS

ITEM	PART NO.	DESCRIPTION	QTY
		1 2 3 4	
	101831503	CHARGER, BATTERY, POWERDRIVE, EXPORT WITH 4-POSITION SWITCH 100 - 200 - 220 - 240 VAC, 48 VDC 50/60 HZ (MODEL NUMBER 18780-11) (INCLUDES ITEMS 1 - 16) 103 IN. DC CORD WITH MALE 3-PIN PLUG, 12 AWG 74 IN. AC CORD WITH NO PLUG .....	1
	101831504	CHARGER, BATTERY, POWERDRIVE EXPORT WITH 4-POSITION SWITCH 100 - 200 - 220 - 240 VAC, 48 VDC 50/60 HZ (MODEL NUMBER 18780-18) (INCLUDES ITEMS 1 - 16) 144 IN. DC CORD WITH MALE 3-PIN PLUG, 12 AWG 108 IN. AC CORD WITH NO PLUG .....	1
1	N/A	ASSEMBLY, CASE (INCLUDES FASTENERS) .....	1
2	7577	SCREW, PAN HEAD, SELF-TAPPING, #10 - 16 x 1/2 .....	10
3	101838201	ASSEMBLY, TRANSFORMER .....	1
4	1015914	ASSEMBLY, HEATSINK, WITH DIODES (INCLUDES MOUNTING HARDWARE) .....	1
5	101914401	ASSEMBLY, VOLTAGE SUPPRESSOR .....	1
6	101838501	KIT, WIRE ASSEMBLY .....	1
7	101828501	AMMETER (INCLUDES MOUNTING HARDWARE) .....	1
8	101838301	RELAY, POWER, 48 VDC (INCLUDES MOUNTING HARDWARE) .....	1
9	101838701	BRACKET, POWER RELAY MOUNTING .....	1
10	101838601	SWITCH, 4-POSITION, SLIDE .....	1
11	101828901	CORDSET, DC, 113 INCHES LONG WITH MALE 3-PIN PLUG, 12 AWG .....	1
11	101828902	CORDSET, DC, 154 INCHES LONG WITH MALE 3-PIN PLUG, 12 AWG .....	1
11	101828903	CORDSET, DC, 250 INCHES LONG WITH MALE 3-PIN PLUG, 12 AWG .....	1
12	1012101	ASSEMBLY, FUSE (INCLUDES MOUNTING HARDWARE) .....	1
13	1012098	BUSHING, STRAIN RELIEF, DC CORD, 12 AWG .....	1
14	101838401	BREAKER, CIRCUIT, 15 AMP .....	2
15	101831701	CORDSET, AC, 80 INCHES LONG, WITH LEADS (NO PLUG) .....	1
15	101831702	CORDSET, AC, 116 INCHES LONG, WITH LEADS (NO PLUG) .....	1
16	1015917	BUSHING, STRAIN RELIEF, AC CORD .....	1

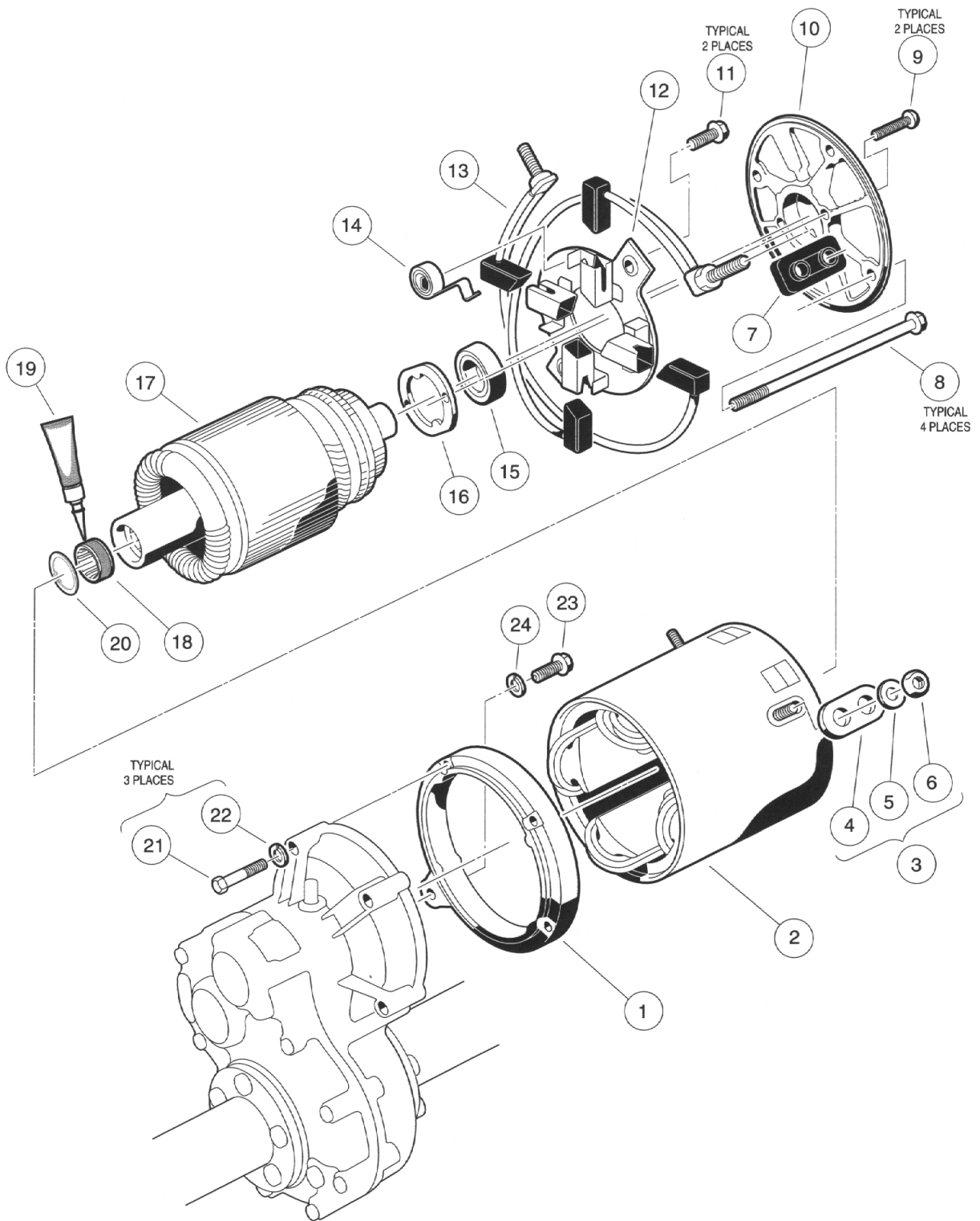


# ELECTRIC MOTOR

---

**14**

**E**





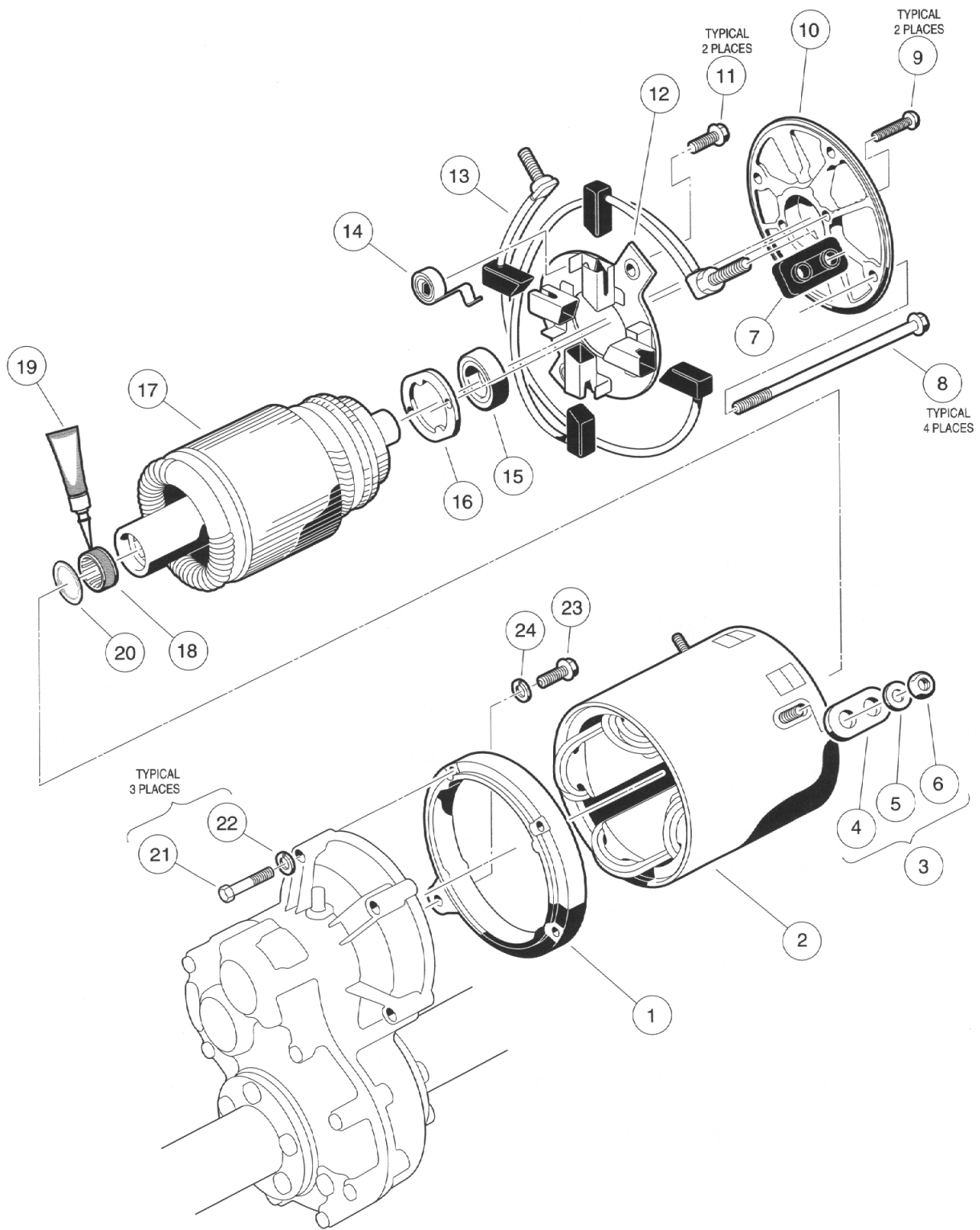
# MOTOR - V-GLIDE 36 VOLT VEHICLE

**14**

**E**

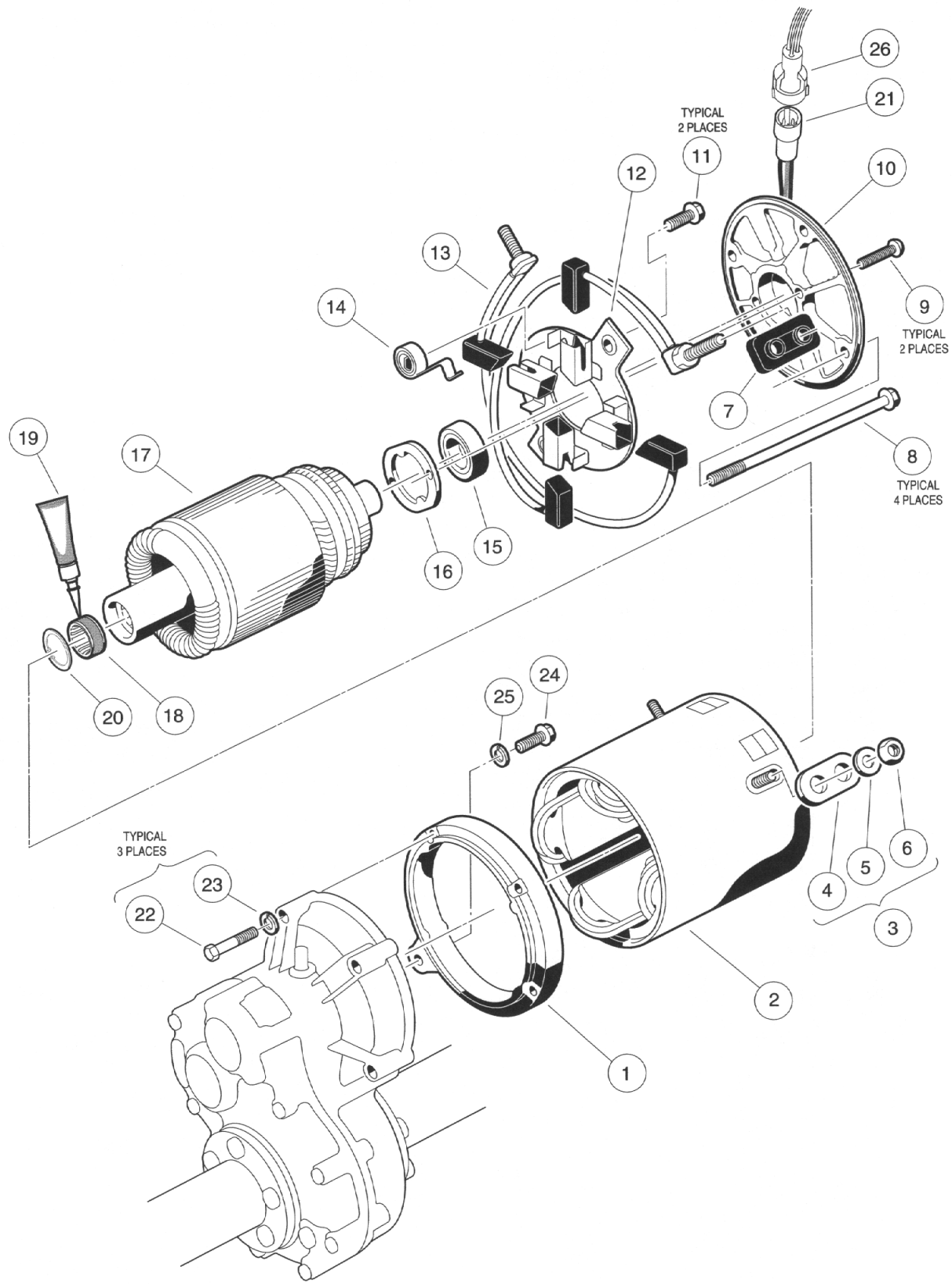
ITEM	PART NO.	DESCRIPTION	QTY
		1 2 3 4	
	101772801	ASSEMBLY, 36 VOLT MOTOR, 2.97 HP (INCLUDES ITEMS 1 - 20) .....	1
1	1017944	SHIELD, END .....	1
2	1017945	ASSEMBLY, STATOR SHELL AND WINDING .....	1
3	1017947	PACKAGE, HARDWARE (INCLUDES ITEMS 4 - 7) .....	1
4	N/A	BUSHING, INSULATOR .....	2
5	N/A	WASHER, FLAT, 5/16 .....	4
6	N/A	NUT, LOCK, 5/16 - 18 .....	4
7	N/A	BUSHING, INSULATOR .....	2
8	1017952	SCREW, CLAMP .....	4
9	1017953	SCREW, BEARING RETAINER .....	2
10	1017951	SHIELD, END .....	1
11	1017949	SCREW, BRUSH HOLDER .....	2
12	1017948	RIGGING, BRUSH .....	1
13	1017946	PACKAGE, BRUSH (2 PIECES) .....	1
14	1011411	PACKAGE, BRUSH SPRING (4 PIECES) .....	1
15	1011290	BEARING, BALL .....	1
16	1017950	RETAINER, BEARING .....	1
17	N/A	ARMATURE .....	1
18	101789101	RING, GUIDE .....	1
19	101813202	ADHESIVE, GUIDE RING, 3 GRAM TUBE .....	A/R
20	101822801	RING, INTERNAL RETAINING .....	1
21	1014201	BOLT, HEX HEAD, 1/4 - 20 x 2 1/4 .....	3
22	451	WASHER, LOCK, 1/4 .....	3
23	1010934	BOLT, HEX HEAD, 5/16 - 18 x 1 .....	1
24	7174	WASHER, LOCK, 5/16 .....	1

**14**  
**E**



# MOTOR - POWERDRIVE SYSTEM 48 VEHICLE

ITEM	PART NO.	DESCRIPTION	QTY
		1 2 3 4	
	101785701	ASSEMBLY, 48 VOLT MOTOR, 3.10 HP (INCLUDES ITEMS 1 - 20) .....	1
1	1017944	SHIELD, END .....	1
2	1017958	ASSEMBLY, STATOR SHELL AND WINDING .....	1
3	1017947	PACKAGE, HARDWARE (INCLUDES ITEMS 4 - 7) .....	1
4	N/A	BUSHING, INSULATOR .....	2
5	N/A	WASHER, FLAT, 5/16 .....	4
6	N/A	NUT, LOCK, 5/16 - 18 .....	4
7	N/A	BUSHING, INSULATOR .....	2
8	1017961	SCREW, CLAMP .....	4
9	1017953	SCREW, BEARING RETAINER .....	2
10	1017951	SHIELD, END .....	1
11	1017949	SCREW, BRUSH HOLDER .....	2
12	1017948	RIGGING, BRUSH .....	1
13	1017946	PACKAGE, BRUSH (2 PIECES) .....	1
14	1011411	PACKAGE, BRUSH SPRING (4 PIECES) .....	1
15	1011290	BEARING, BALL .....	1
16	1017950	RETAINER, BEARING .....	1
17	N/A	ARMATURE .....	1
18	101789101	RING, GUIDE .....	1
19	101813202	ADHESIVE, GUIDE RING, 3 GRAM TUBE .....	A/R
20	101822801	RING, INTERNAL RETAINING .....	1
21	1014201	BOLT, HEX HEAD, 1/4 - 20 x 2 1/4 .....	3
22	0000451	WASHER, LOCK, 1/4 .....	3
23	1010934	BOLT, HEX HEAD, 5/16 - 18 x 1 .....	1
24	0007174	WASHER, LOCK, 5/16 .....	1



# MOTOR - POWERDRIVE PLUS VEHICLE

ITEM	PART NO.	DESCRIPTION	QTY
		1 2 3 4	
	101854501	ASSEMBLY, 48 VOLT MOTOR, 3.10 HP (INCLUDES ITEMS 1 - 21) .....	1
1	1017944	SHIELD, END .....	1
2	101879201	ASSEMBLY, STATOR SHELL AND WINDING .....	1
3	1017947	PACKAGE, HARDWARE (INCLUDES ITEMS 4 - 7) .....	1
4	N/A	BUSHING, INSULATOR .....	2
5	N/A	WASHER, FLAT, 5/16 .....	4
6	N/A	NUT, LOCK, 5/16 - 18 .....	4
7	N/A	BUSHING, INSULATOR .....	2
8	1017961	SCREW, CLAMP .....	4
9	1017953	SCREW, BEARING RETAINER .....	2
10	101879301	SHIELD, END (WITH SPEED SENSOR) .....	1
11	1017949	SCREW, BRUSH HOLDER .....	2
12	1017948	RIGGING, BRUSH .....	1
13	1017946	PACKAGE, BRUSH (2 PIECES) .....	1
14	1011411	PACKAGE, BRUSH SPRING (4 PIECES) .....	1
15	1011290	BEARING, BALL .....	1
16	1017950	RETAINER, BEARING .....	1
17	N/A	ARMATURE .....	1
18	101789101	RING, GUIDE .....	1
19	101813202	ADHESIVE, GUIDE RING, 3 GRAM TUBE .....	A/R
20	101822801	RING, INTERNAL RETAINING .....	1
21	101857301	HOUSING, FEMALE, 3-WIRE BLACK .....	1
22	1014201	BOLT, HEX HEAD, 1/4 - 20 x 2 1/4 .....	3
23	451	WASHER, LOCK, 1/4 .....	3
24	1010934	BOLT, HEX HEAD, 5/16 - 18 x 1 .....	1
25	7174	WASHER, LOCK, 5/16 .....	1
26	101857101	HOUSING, MALE, 3-WIRE BLACK .....	1

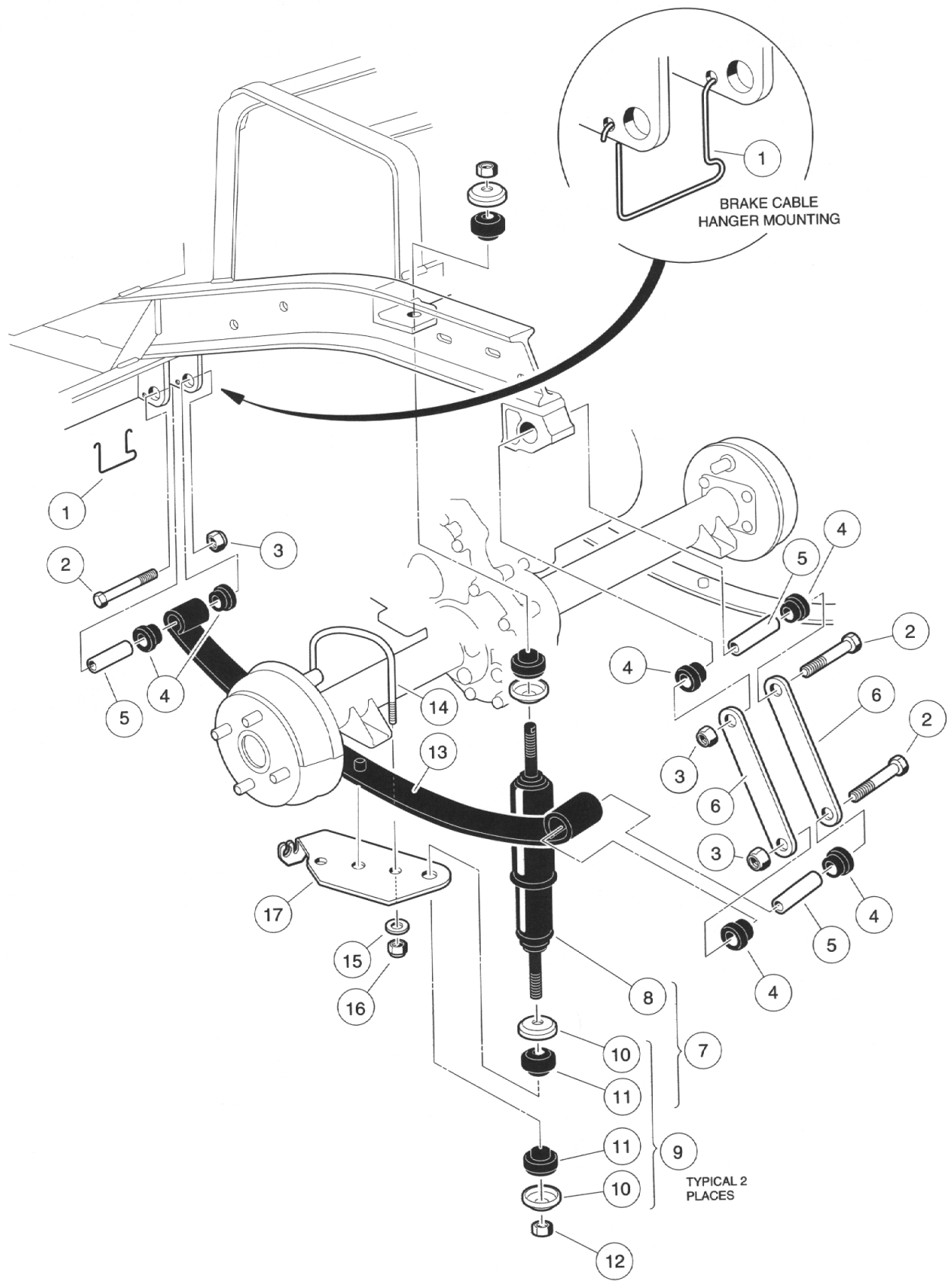


# REAR SUSPENSION ELECTRIC VEHICLES

---

**15**

**E**



TYPICAL EACH SIDE OF VEHICLE



# REAR SUSPENSION - ELECTRIC VEHICLES

15

E

ITEM	PART NO.	DESCRIPTION	QTY
		1 2 3 4	
1	1013207	HANGER, BRAKE CABLE .....	2
2	8755	BOLT, HEX HEAD CAP, 3/8 - 16 x 3 1/8 .....	6
3	1010138	NUT, DIMPLED LOCK, 3/8 - 16 .....	6
4	1015583	BUSHING, URETHANE .....	12
5	1012303	BUSHING, STEEL .....	6
6	7569	PLATE, SPRING SHACKLE .....	4
7	1013164	KIT, SHOCK ABSORBER (INCLUDES ITEMS 8, 10, AND 11) .....	2
8	1014236	ABSORBER, SHOCK .....	2
9	1011415	KIT, SHOCK ABSORBER CUSHION (INCLUDES 2 EACH OF ITEMS 10 AND 11) .....	4
10	N/A	RETAINER, SHOCK ABSORBER CUSHION .....	8
11	N/A	CUSHION, SHOCK ABSORBER .....	8
12	1010145	NUT, HEX HEAD, 3/8 - 24 .....	4
13	1010974	SPRING, REAR LEAF .....	2
14	1012180	"U" BOLT .....	2
15	1014557	WASHER, FLAT, 7/16 .....	4
16	1014555	NUT, NYLON LOCK, 7/16 - 14 .....	4
17	1012182	MOUNT, SHOCK, LEFT HAND .....	1
17	1012181	MOUNT, SHOCK, RIGHT HAND .....	1



# SAFETY DECALS

---

**16**

**G**

**E**

**PRACTICE GOLF ETIQUETTE**

- Observe club rules.
- Drive on golf car paths when possible.
- Keep proper distance from greens.
- Replace divots.
- Repair ball marks on greens.
- Rake sand traps.
- Allow faster players to play through.
- Help speed up play.
- Dispose of litter properly.

**Club Car**

**GOLF ETIQUETTE DECAL**

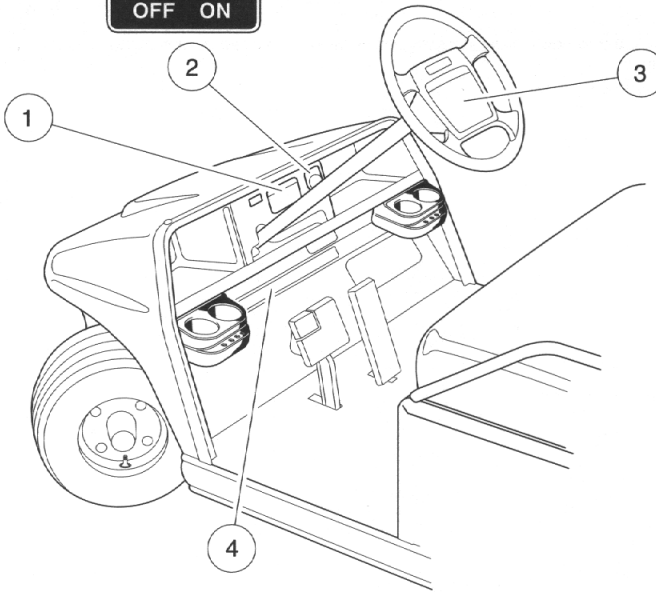
**KEY SWITCH DECAL**



**OPERATING INSTRUCTIONS DECAL**

**OPERATING INSTRUCTIONS**

- Read owner's manual prior to operation.
- Study and understand controls. Be sure everyone is seated.
- Before driving, read safety warnings located above pedals.
- Make sure wheels are turned in desired direction.
- Turn key to "ON" position and let start rolling in in your path.
- Select direction by placing shift lever in desired position:  
F - Forward N - Neutral R - Reverse
- Vehicle will start moving when accelerator pedal is depressed.
- Slowly depress accelerator pedal to increase speed. Park brake will release when accelerator pedal is depressed.
- To stop, release accelerator pedal and depress brake pedal.
- After stopping, firmly depress park brake until it locks.
- Place forward and reverse switch in neutral position.
- Turn key "OFF" and remove key when not in use.



**WARNING**

- Failure to follow these instructions can cause severe injury or death.
- Read operating instructions before using vehicle.
- Never stand in front or behind vehicle.
- Vehicle should be driven only in specified areas by trained persons.
- Do not use on public roads.
- Only two persons per seat.
- Operate vehicle from driver's side only.
- Do not start vehicle until all people are seated.
- Remain seated and hold on in moving vehicle.
- Keep arms, legs, feet and body inside vehicle.
- Stop vehicle before changing direction.
- Buzzer will sound in reverse.
- Drive slowly in turns.
- Drive slowly straight up and down slopes.
- Set park brake before leaving vehicle.
- Remove key when vehicle is not in use.
- Place shift lever in neutral when vehicle is not in use.

**SAFETY WARNING DECAL**

**GASOLINE TANK DANGER DECAL (ON BODY ADJACENT TO FUEL TANK)**

**DANGER**

- Gasoline - extremely flammable.
- Keep heat, sparks and open flame away from fuel tank and fuel lines.
- Do not add fuel while engine is running or hot.
- Service by trained personnel.

**HOT MANIFOLD AND MUFFLER DECAL (ON ENGINE)**

**WARNING**

HOT manifold and muffler can cause severe burns.

**PERIODIC SERVICE SCHEDULE DECAL (ON AIR INTAKE BOX)**

**ClubCar** Periodic Service Schedule

Service	Regular Interval
1. Check oil level	Monthly
2. Check engine coolant level	Monthly
3. Check battery and clean air filter	Once Year (After 1000 miles or 100 hours)
4. Change air filter	Once Year or 100 hours
5. Check Tire Pressure	Monthly (Check twice)
6. Inspect Fuel Filter	Once Year or 100 hours
7. Check Belt Tension	Once Year or 100 hours
8. Check All Fasteners	Once Year or 100 hours

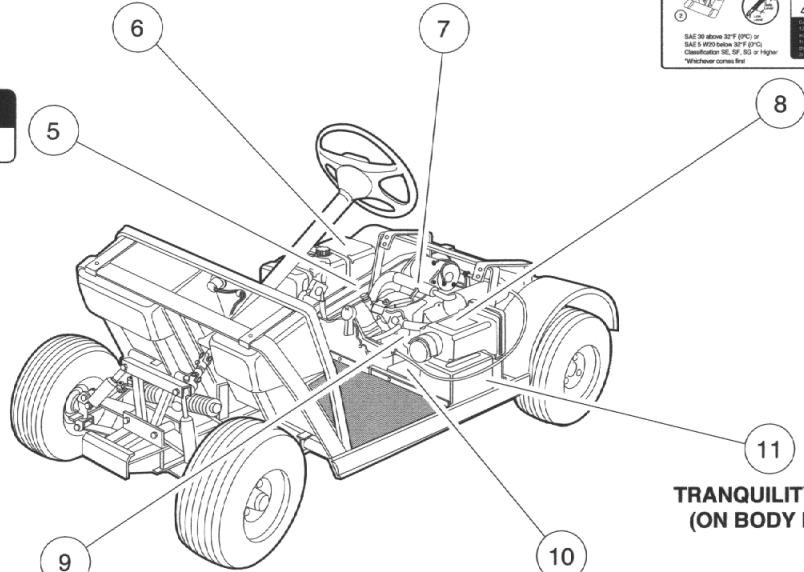
**WARNING**

SAE 30 above 32°F (0°C) or SAE 5 W/30 below 32°F (0°C)  
 Qualifier SE, SE-2, SE-3 or higher  
 \*Whichever comes first

**MOVING PARTS DECAL (ON FRAME)**

**WARNING**

MOVING PARTS



**TRANQUILITY DECAL (ON BODY PANEL)**

**DANGER / POISON**

NO SPARKS - FLAMES - SMOKE

SULFURIC ACID CAN CAUSE BLINDNESS OR SEVERE BURNS

FLUSH EYES IMMEDIATELY WITH WATER

GET MEDICAL HELP FAST

KEEP OUT OF THE REACH OF CHILDREN - DO NOT TIP - KEEP VENT CAPS TIGHT AND LEVEL

**DANGER DECAL (ON BODY UNDER SEAT)**

**WARNING**

Negative frame ground. Do not contact positive (+) battery post or cable to frame as this can cause battery explosion, electrical shocks, and burns.

**FRAME GROUND WARNING DECAL (ON FRAME)**

# SAFETY DECALS - GASOLINE VEHICLE

ITEM	PART NO.	DESCRIPTION	QTY GAS
		1 2 3 4	
1	1013390	DECAL, GOLF ETIQUETTE .....	1
2	101825101	DECAL, KEY SWITCH .....	1
3	101621601	DECAL, OPERATING INSTRUCTIONS .....	1
4	1014883	DECAL, SAFETY WARNING .....	1
5	1015475	DECAL, MOVING PARTS WARNING .....	1
6	1015476	DECAL, GASOLINE DANGER .....	1
7	1017257	DECAL, HOT MANIFOLD WARNING .....	1
8	1016062	DECAL, PERIODIC SERVICE SCHEDULE .....	1
9	1013677	DECAL, BATTERY DANGER/POISON .....	1
10	1015474	DECAL, NEGATIVE FRAME GROUND WARNING .....	1
11	101647602	DECAL, TRANQUILITY - GOLD .....	2

**PRACTICE GOLF ETIQUETTE**

- Observe club rules.
- Drive on golf car paths when possible.
- Keep proper distance from greens.
- Replace divots.
- Repair ball marks on greens.
- Rake sand traps.
- Allow faster players to play through.
- Help speed up play.
- Dispose of litter properly.

Club Car

**GOLF ETIQUETTE  
DECAL**

**V-GLIDE 36 VOLT AND  
POWERDRIVE SYSTEM 48 VEHICLES**

**IMPORTANT NOTICE**

VEHICLE EQUIPPED TO CONTROL DOWNHILL SPEED

- Maximum vehicle speed is controlled during downhill operation with accelerator pedal depressed.
- Vehicle will brake gently when accelerator pedal is released.
- System is activated only when key is in the "ON" position.
- When towing vehicle, key must be in the "OFF" position.

Club Car

**REGENERATIVE  
BRAKING DECAL**  
**POWERDRIVE PLUS VEHICLE  
ONLY**

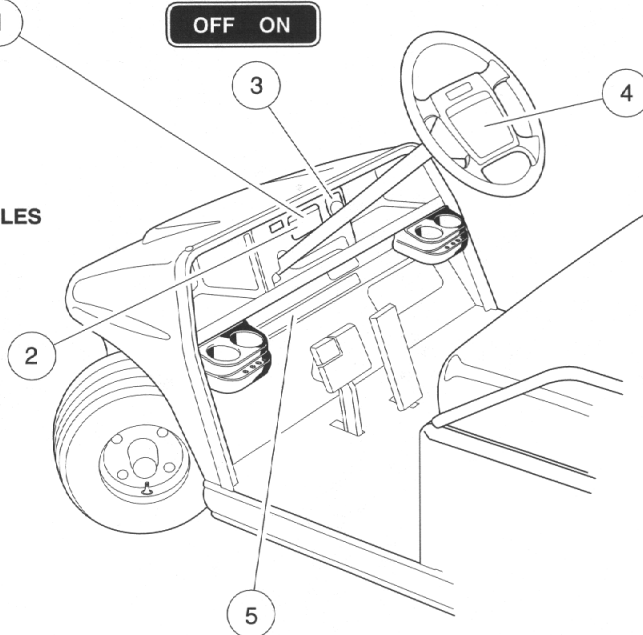
**KEY SWITCH  
DECAL**

OFF ON

**OPERATING INSTRUCTIONS  
DECAL**

**OPERATING INSTRUCTIONS**

- Read owner's manual prior to operation.
- Study and understand controls. Be sure everyone is seated.
- Before driving, rear safety warning locked doors pedal.
- Make sure wheels are turned in desired direction.
- Turn key to "ON" position and be sure nothing is in your path.
- Select direction by placing shift lever in desired position:  
P - Forward; N - Neutral; R - Reverse
- Vehicle will start moving when accelerator pedal is depressed.
- Slowly depress accelerator pedal to increase speed. Park brake will release when accelerator pedal is depressed.
- To stop, release accelerator pedal and depress brake pedal.
- After stopping, firmly depress park brake until it locks.
- Place forward and reverse switch in "neutral" position.
- Turn key "OFF" and remove key when not in use.



**WARNING**

Failure to follow these instructions can cause severe injury or death.

- Read operating instructions before using vehicle.
- Never stand in front or behind vehicle.
- Vehicle should be driven only in specified areas by trained persons.

- Do not use on public roads.
- Only two persons per seat.
- Operate vehicle from driver's side only.
- Do not start vehicle until all people are seated.

- Remain seated and hold on in moving vehicle.
- Keep arms, legs, feet and body inside vehicle.
- Stop vehicle before changing direction.
- Buzzer will sound in reverse.
- Drive slowly in turns.

- Drive slowly straight up and down slopes.
- Set park brake before leaving vehicle.
- Remove key when vehicle is not in use.
- Place shift lever in neutral when vehicle is not in use.

**SAFETY WARNING DECAL**

**DANGER DECAL  
(ON BODY UNDER SEAT)**

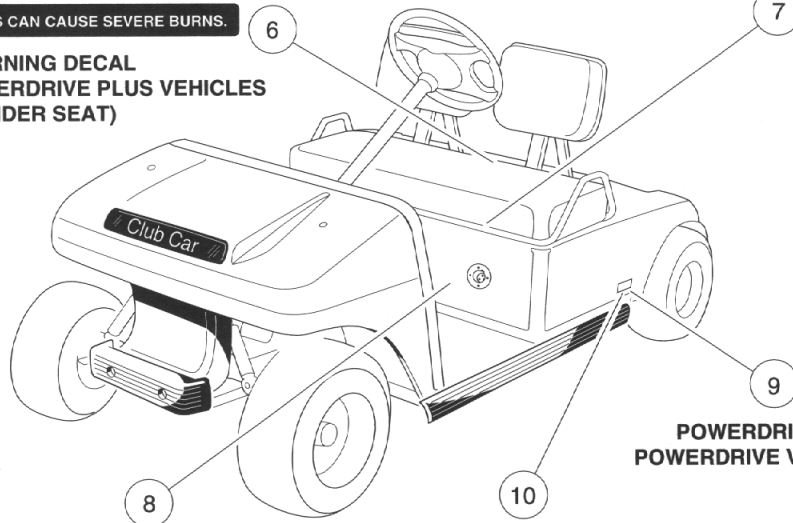
**DANGER / POISON**

EXPLOSIVE GASES CAN CAUSE BLOW-UP OR BURST	SHIELD EYES	NO SPARKS, FLAMES OR SMOKE	SULFURIC ACID CAN CAUSE BURNING OR SEVERE BURNS	FLUSH EYES IMMEDIATELY WITH WATER. GET MEDICAL HELP FAST.
--	-------------	----------------------------	---	---

KEEP OUT OF THE REACH OF CHILDREN - DO NOT TIP - KEEP VENT CAPS TIGHT AND LEVEL

**WARNING** HOT RESISTORS CAN CAUSE SEVERE BURNS.

**RESISTOR WARNING DECAL**  
**V-GLIDE 36 VOLT AND POWERDRIVE PLUS VEHICLES  
(ON BODY UNDER SEAT)**



**POWERDRIVE DECAL**  
**POWERDRIVE VEHICLE ONLY**



**CAUTION** DO NOT OPERATE VEHICLE WITHOUT COVER IN PLACE • DO NOT DIRECT WATER STREAM AT THIS SWITCH

**SPEED SWITCH CAUTION DECAL**  
**V-GLIDE 36 VOLT VEHICLE ONLY  
(ON WIPER SWITCH COVER)**

**POWERDRIVE PLUS DECAL**  
**POWERDRIVE PLUS  
VEHICLE ONLY**

# SAFETY DECALS - ELECTRIC VEHICLES

**16**

**E**

ITEM	PART NO.	DESCRIPTION	QTY ELEC
		1 2 3 4	
1	1013390	DECAL, GOLF ETIQUETTE (V-GLIDE 36 VOLT AND POWERDRIVE SYSTEM 48) .....	1
2	101862101	DECAL, REGENERATIVE BRAKING (POWERDRIVE PLUS VEHICLE ONLY) .....	1
3	101825101	DECAL, KEY SWITCH .....	1
4	1016216	DECAL, OPERATING INSTRUCTIONS .....	1
5	1014883	DECAL, SAFETY WARNING .....	1
6	1013496	DECAL, HOT RESISTORS WARNING (V-GLIDE 36 VOLT AND POWERDRIVE PLUS VEHICLES) .....	1
7	1013677	DECAL, BATTERY DANGER/POISON .....	1
8	1016109	DECAL, WIPER SWITCH CAUTION (V-GLIDE 36 VOLT VEHICLE ONLY) .....	1
9	101830401	DECAL, POWERDRIVE (POWERDRIVE SYSTEM 48 VEHICLE ONLY) .....	2
10	101885401	DECAL, POWERDRIVE PLUS (POWERDRIVE PLUS VEHICLE ONLY) .....	2





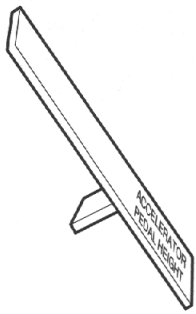
# MAINTENANCE AND SERVICE TOOLS

---

**17**

**G**

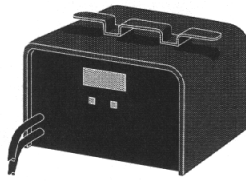
**E**



1



2



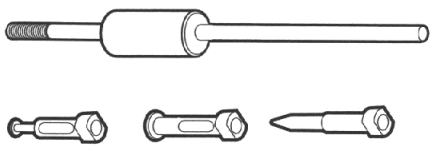
3



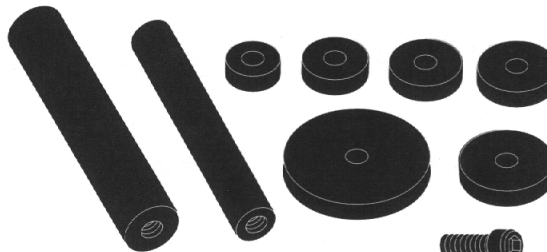
4



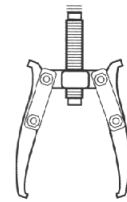
5



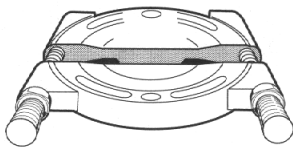
6



7



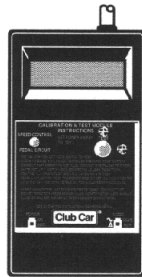
8



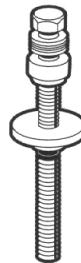
9



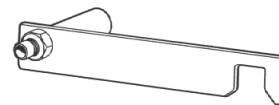
10



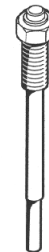
11



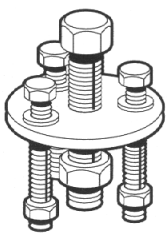
12



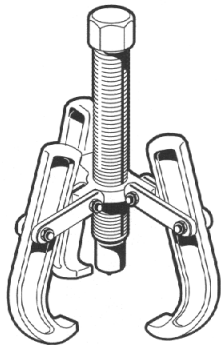
13



14



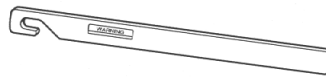
15



16



17



18



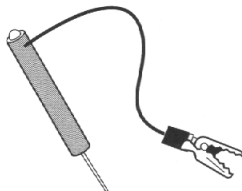
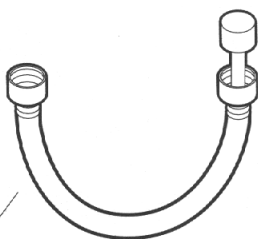
19



20



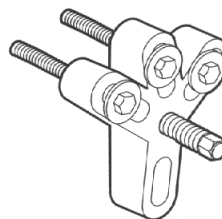
21



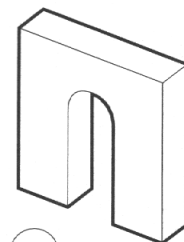
22



23



24



25

# MAINTENANCE AND SERVICE TOOLS

**17**

**G**

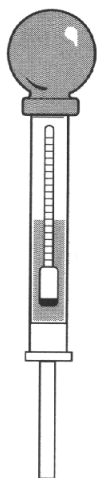
**E**

ITEM	PART NO.	DESCRIPTION	QTY GAS	QTY ELEC
		1 2 3 4 THE FOLLOWING TOOL LIST INCLUDES ALL TOOLS AVAILABLE FROM CLUB CAR FOR MAINTENANCE AND SERVICE PROCEDURES FOR GASOLINE AND/OR ELECTRIC VEHICLES, BOTH PAST AND PRESENT MODELS. BE SURE TO CAREFULLY EXAMINE THE TOOL LIST FOR APPLICABILITY TO YOUR VEHICLE BEFORE ORDERING.		
1	101871001	ACCELERATOR PEDAL ADJUSTMENT TOOL .....	1	1
2	101813202	ADHESIVE, GUIDE RING, 3-GRAM TUBE .....	1	1
3	101831901	BATTERY DISCHARGE MACHINE, 36/48 VOLT .....		1
4	1014305	BATTERY TERMINAL PROTECTOR SPRAY .....	1	1
5	1011767	BATTERY THERMOMETER .....		1
6	1016417	BEARING AND OIL SEAL REMOVER ASSEMBLY .....	1	1
7	1016416	BEARING DRIVER SET .....	1	1
8	1012811	BEARING PULLER .....	1	1
9	1012812	BEARING PULLER WEDGE ATTACHMENT .....	1	1
10	1013582	BRAKE ADJUSTMENT TOOL (USED ONLY ON VEHICLES WITH MANUALLY ADJUSTED BRAKES) .....	1	1
11	101887101	CALIBRATION TEST MODULE .....		1
12	101808401	CAM INSTALLATION TOOL .....	1	
	1014510	CLUTCH TOOL KIT (INCLUDES ITEMS 13 - 19) .....	1	
13	1014498	CLUTCH ALIGNMENT TOOL (FOR PRE-UNITIZED TRANSAXLE VEHICLES BUILT PRIOR TO 1997 MODEL YEAR) .....	1	
14	1014496	DRIVE CLUTCH PULLER .....	1	
15	1014497	DRIVE CLUTCH HUB PULLER .....	1	
16	1014508	DRIVEN CLUTCH CAM PULLER .....	1	
17	1014507	DRIVEN CLUTCH PULLER PLUG .....	1	
18	1015524	DRIVE CLUTCH HOLDER TOOL ASSEMBLY .....	1	
19	101809101	PRESS WELDMENT .....	1	
20	101831801	COMMUNICATION DISPLAY MODULE .....		1
21	101641002	COMPRESSION GAUGE AND ADAPTER .....	1	
22	1011273	CONTINUITY TESTER .....	1	1
23	1012151	DRY MOLY LUBRICANT .....	1	1
24	1016627	FLY WHEEL PULLER KIT .....	1	
25	1016418	GEAR YOKE .....	1	1
		PLEASE REFER TO THE MAINTENANCE AND SERVICE MANUAL FOR PROPER TOOL APPLICATION.		

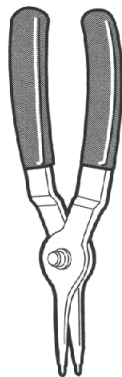
**17  
G  
E**



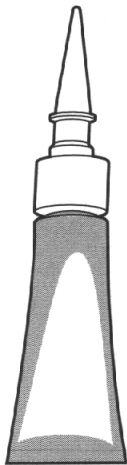
26



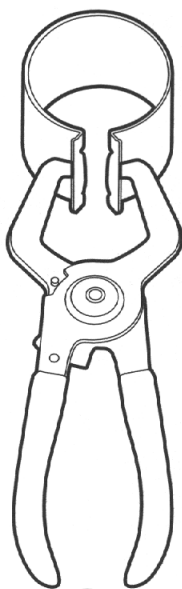
27



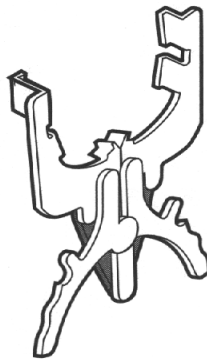
28



29



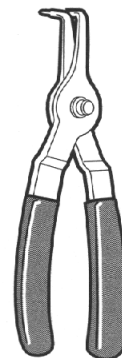
30



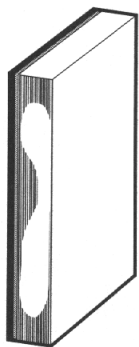
31



32



33



34



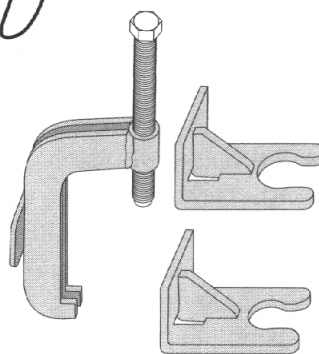
35



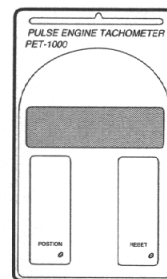
36



37



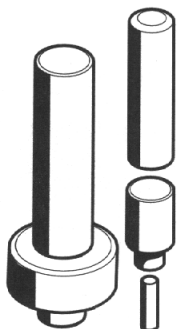
38



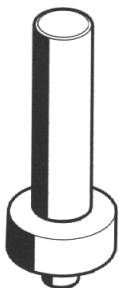
39



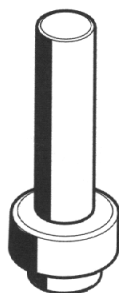
40



41



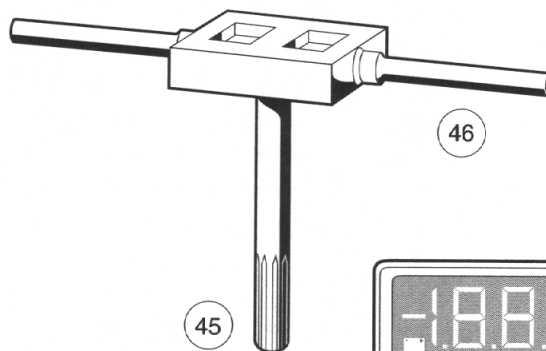
42



43

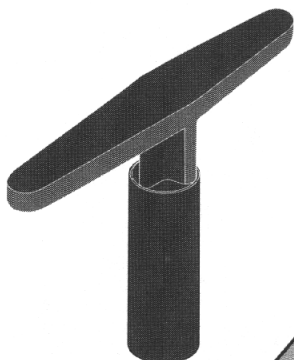


44

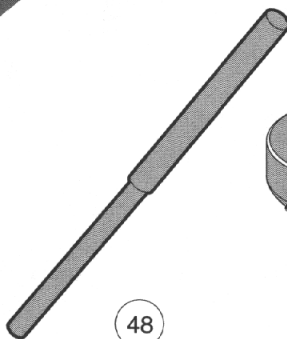


46

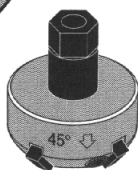
45



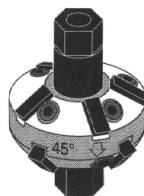
47



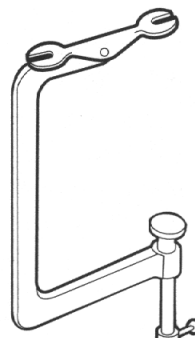
48



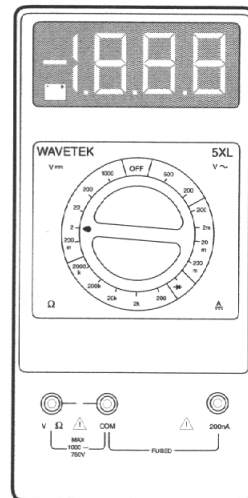
49



50



51



52

# MAINTENANCE AND SERVICE TOOLS, CONTINUED

17

G

E

ITEM	PART NO.	DESCRIPTION	QTY GAS	QTY ELEC
		1 2 3 4		
26	101933101	GOVERNOR SHAFT INSTALLATION TOOL .....	1	
27	1011478	HYDROMETER .....	1	1
28	1013593	INTERNAL RETAINING RING PLIERS .....	1	1
29	101928701	LIQUID GASKET (TRANSAXLE CASE) .....	1	
30	1016414	PISTON RING COMPRESSOR KIT .....	1	
31	1016415	PISTON RING PLIERS .....	1	
32	1012549	RETAINING RING PLIERS, 45° EXTERNAL .....	1	1
33	1012560	RETAINING RING PLIERS, 90° INTERNAL .....	1	1
34	101823101	SAFETY FIRST CARD (50 PER PACK) .....	1	1
35	1012809	SEAL PULLER .....	1	1
36	1014264	STEERING COLUMN BEARING PRESS TOOL .....	1	1
37	1014259	STEERING COLUMN RETAINING RING TOOL .....	1	1
38	102061201	STEERING WHEEL PULLER TOOL .....	1	1
39	1016112	TACHOMETER .....	1	
40	101997201	PAINT, TOUCH-UP—BEIGE .....	1	1
40	101997202	PAINT, TOUCH-UP—WHITE .....	1	1
40	101997204	PAINT, TOUCH-UP—GRAY .....	1	1
40	101997209	PAINT, TOUCH-UP—DARK GREEN .....	1	1
40	101997211	PAINT, TOUCH-UP—CLASSIC BLUE .....	1	1
40	101997212	PAINT, TOUCH-UP—BURGUNDY .....	1	1
41	1014115	TRANSMISSION TOOL KIT .....	1	
42	1014161	TRANSAXLE PINION SEAL TOOL .....	1	
43	1014162	TRANSAXLE AXLE SEAL TOOL .....	1	
44	1016413	VALVE CLEARANCE ADJUSTER SCREW HOLDER (FOR FE290 ENGINES ONLY) .....	1	
45	101641201	VALVE GUIDE REAMER .....	1	
46	101641202	ARBOR .....	1	
47	1016551	VALVE SEAT CUTTER T-WRENCH .....	1	
48	1016552	VALVE SEAT CUTTER GUIDE .....	1	
49	1016553	VALVE SEAT CUTTER, 45° (32 MM DIAMETER) .....	1	
50	1016554	VALVE SEAT CUTTER, 32° AND 45° (35 MM DIAMETER) (FOR FE350 ENGINES ONLY) .....	1	
51	101641101	VALVE SPRING COMPRESSOR .....	1	
52	1011480	VOLT OHM METER .....	1	1
53	101611003	TUNE-UP KIT, ALL OHV (INCLUDES AIR FILTER, SPARK PLUG, OIL FILTER, FUEL FILTERS) (NOT SHOWN) .....	1	
PLEASE REFER TO THE MAINTENANCE AND SERVICE MANUAL FOR PROPER TOOL APPLICATION.				



