

Club Car®

**1994
ILLUSTRATED
PARTS LIST**



**DS GOLF CARS
GASOLINE/ELECTRIC**

MANUAL NUMBER 101770102

PRINT CODE 0893C00000

USING THE ILLUSTRATED PARTS LIST

This manual is to be used for identification and ordering of service parts for the DS Gasoline and DS Electric golf cars.

The first four (4) sections include information common to both the Gasoline and Electric vehicles. Section 5 through 11 contain information related solely to the Gasoline vehicles while Sections 12 through 15 relate solely to the Electric vehicles.

The manual numerical index will help provide quick reference to each section.

WARNING

This manual is to be used for identification and ordering of service parts only. Be sure to read and use the maintenance and service manual for any repair.

**4125 WASHINGTON ROAD
P.O. Box 4658
AUGUSTA, GEORGIA 30917-4658
USA
Telephone: 706-863-3000
TELEX 54-5444
FAX: 706-860-7231**

CONTENTS

MAINTENANCE AND SERVICE TOOLS

| | |
|---|-------------------|
| BODY AND TRIM | SECTION 1 |
| Body and Trim | 1-3 |
| Fender Body Installation Gas | 1-5 |
| Fender Body Installation Electric | 1-7 |
| Covers Front | 1-9 |
| Covers Rear | 1-11 |
| Seat Back and Bag Hoop | 1-13 |
| Seat Bottom and Armrest - Electric Vehicle | 1-14 |
| Seat Bottom and Armrest - Gas Vehicle | 1-15 |
| TRANSAXLE | SECTION 2 |
| | 2-3 |
| BRAKES, PEDAL, AND CABLE ASSEMBLY | SECTION 3 |
| Brakes Cluster, Right and Left Hand | 3-3 |
| Brakes Pedal and Cable Assembly | 3-5 |
| Accelerator Pedal Assembly | 3-7 |
| STEERING AND FRONT SUSPENSION | SECTION 4 |
| Steering Column - Aluminum | 4-3 |
| Steering Assembly | 4-5 |
| Front Suspension Assembly - Delta A-Plate | 4-7 |
| ELECTRICAL AND BATTERY | SECTION 5 |
| Wiring - Gas Vehicle | 5-3 |
| Electrical Component Box | 5-5 |
| Starter Generator Assembly | 5-7 |
| F&R Shifter Assembly | 5-9 |
| Starter Generator - Mounting | 5-10 |
| Reverse Buzzer | 5-11 |
| Battery | 5-12 |
| ENGINE | SECTION 6 |
| Engine | 6-3 - 6-13 |
| FUEL AND INTAKE SYSTEM | SECTION 7 |
| Fuel System Assembly | 7-3 |
| Carburetor Assembly | 7-5 |
| Governor Guard and Intake Hose | 7-7 |
| Expansion Chamber, Choke, and Filter | 7-9 |
| Governor and Accelerator Cables | 7-11 |
| EXHAUST SYSTEM | SECTION 8 |
| Exhaust System | 8-3 |
| TORQUE CONVERTER | SECTION 9 |
| Drive Clutch Assembly | 9-3 |
| Driven Clutch Assembly | 9-5 |
| TRANSMISSION | SECTION 10 |
| Transmission Assembly | 10-3 |
| REAR SUSPENSION | SECTION 11 |
| Rear Suspension Assembly | 11-3 |
| Inner Frame Assembly | 11-5 |
| ELECTRICAL - ELECTRICAL VEHICLE | SECTION 12 |
| Power Wiring - Electric Wiring | 12-3 |
| V-Glide Wiper Switch | 12-5 |
| Resistor and Board Assembly - V-Glide | 12-7 |
| Forward and Reverse Switch Assembly - V-Glide | 12-9 |
| Power Wiring - Solid State Controller | 12-11 |
| Forward and Reverse Switch - Solid State Controller | 12-13 |
| V-Glide Wiper Switch - Solid State Controller | 12-15 |
| Reverse Buzzer | 12-16 |
| CHARGER | SECTION 13 |
| Model 13800 Accu-Power | 13-3 |
| Model 14000 Ultra-Power | 13-5 |
| MOTOR | SECTION 14 |
| CLUB CAR Models 5BC48JB764 and 5BC48JB771 | 14-3 |
| CLUB CAR Models 5BC58JBS6163 and 5BC58JBS6215 | 14-5 |
| REAR SUSPENSION ASSEMBLY - ELECTRIC VEHICLE | SECTION 15 |
| Rear Suspension Assembly - Electric Vehicle | 15-3 |



MAINTENANCE AND SERVICE TOOLS

| DESCRIPTION | PART NO. |
|---|------------|
| Internal Retaining Pliers | 1013593 |
| Brake Adjusting Tool | 1013582 |
| Volt Ohm Meter | 1011480 |
| Continuity Tester | 1011273 |
| Retaining Ring Pliers (45° External) | 1012549 |
| Retaining Ring Pliers (90° Internal) | 1012560 |
| Keyswitch Tool | 1012801 |
| Seal Puller | 1012809 |
| Bearing Puller | 1012811 |
| Bearing Puller Wedge Attachment | 1012812 |
| Tachometer | 1016112 |
| Drive Clutch Puller | 1014496 |
| Clutch Alignment Tool | 1014498 |
| Touch-up Paint- Beige | 1017097-01 |
| Transmission Tool Kit | 1014115 |
| TransAxle Pinion Seal Tool | 1014161 |
| TransAxle Axle Seal Tool | 1014162 |
| Steering Column Bearing Press Tool | 1014264 |
| Steering Column Retaining Ring Tool | 1014259 |
| Battery Terminal Protector | 1014305 |
| Dry Moly Lubricant | 1012151 |
| Flexible Cowl Repair Kit | 1014963 |
| Hydrometer | 1011478 |
| Battery Tester (Discharge Machine) | 1010687 |
| Battery Thermometer | 1011767 |
| Fly Wheel Puller Kit | 1016627 |
| Valve Seat Cutter 45° (32mm Diameter) | 1016553 |
| Valve Seat Cutter 45° (32mm Diameter) | 1016554 |
| Valve Seat Cutter 32° (35mm Diameter) | 1016555 |
| Clutch Tool Kit | 1014510 |
| Spring Tune-Up Kit (OHV Engine) | 1016110-02 |
| Compression Gauge | 1016410-01 |
| Adapter | 1016410-02 |
| Valve Spring Compression | 1016411-01 |
| Adapter | 1016411-02 |
| Valve Guide Reamer | 1016412-01 |
| Arbor | 1016412-02 |
| Valve Clearance Adjuster Screw Holder | 1016413 |
| Piston Ring Compressor Kit | 1016414 |
| Piston Ring Plier | 1016415 |
| Bearing Driver Set | 1016416 |
| Bearing and Oil Seal Remover Assembly | 1016417 |
| Gear Yoke | 1016418 |
| Generator Belt Tension Tool | 1016867 |
| Muffler Spring Tool | 1016712 |
| Armorflex Repair Kit | 1017295 |
| Adhesion Promoter - Armorflex | 1016985 |

Please refer to the Maintenance and Service Manual for proper tool application.



INDEX

GASOLINE



G

ELECTRIC



E

BODY AND TRIM — FRONT AND REAR



1

TRANSAXLE



2

BRAKES, PEDAL, AND CABLE ASSEMBLY

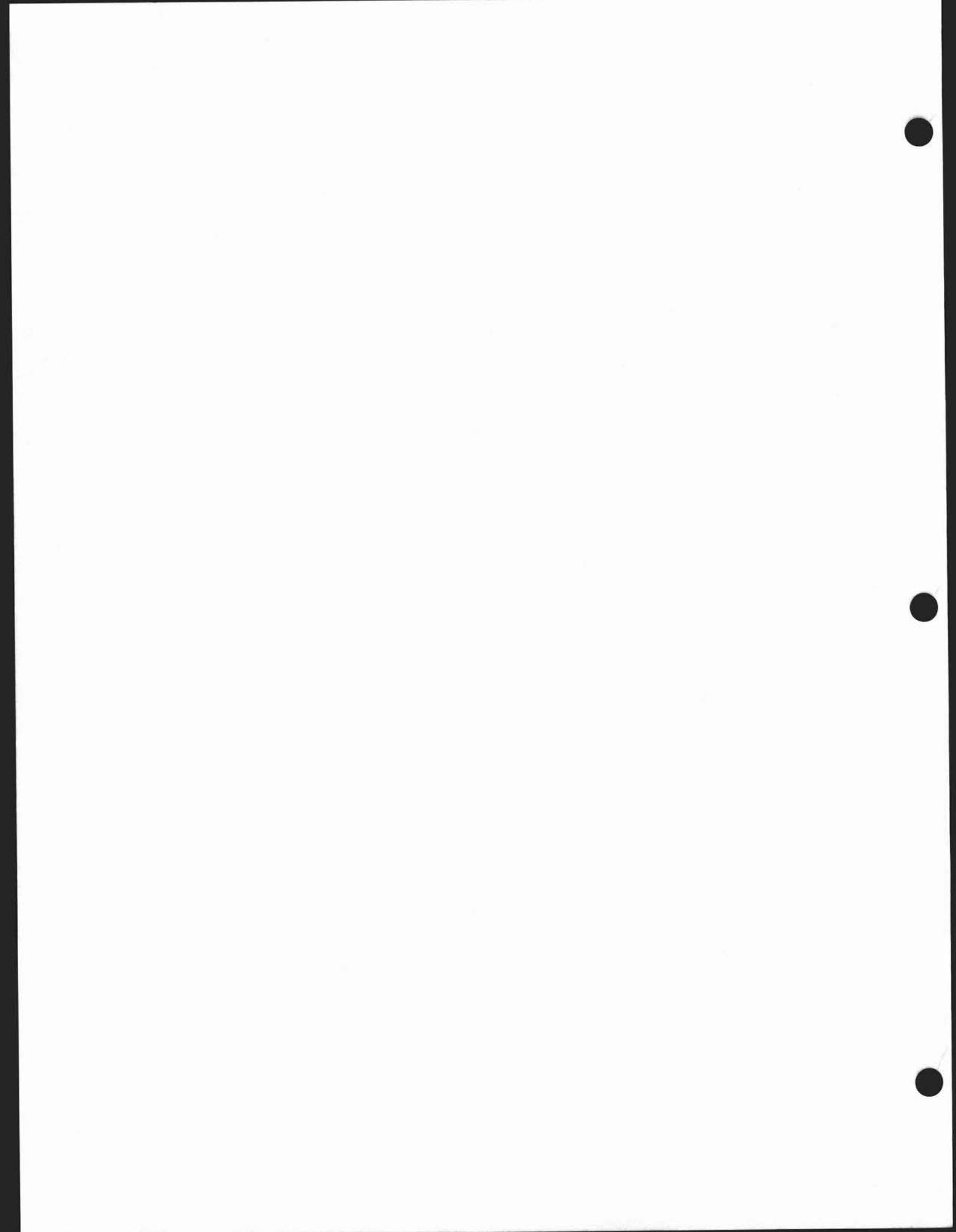


3

STEERING AND FRONT SUSPENSION



4










INDEX

GASOLINE



G

| | | |
|--|---|-----------|
| ELECTRICAL AND BATTERY |  | 5 |
| ENGINE |  | 6 |
| FUEL, INTAKE, AND GOVERNOR SYSTEM |  | 7 |
| EXHAUST SYSTEM |  | 8 |
| TORQUE CONVERTER |  | 9 |
| TRANSMISSION AND GOVERNOR |  | 10 |
| REAR SUSPENSION |  | 11 |







INDEX

ELECTRIC



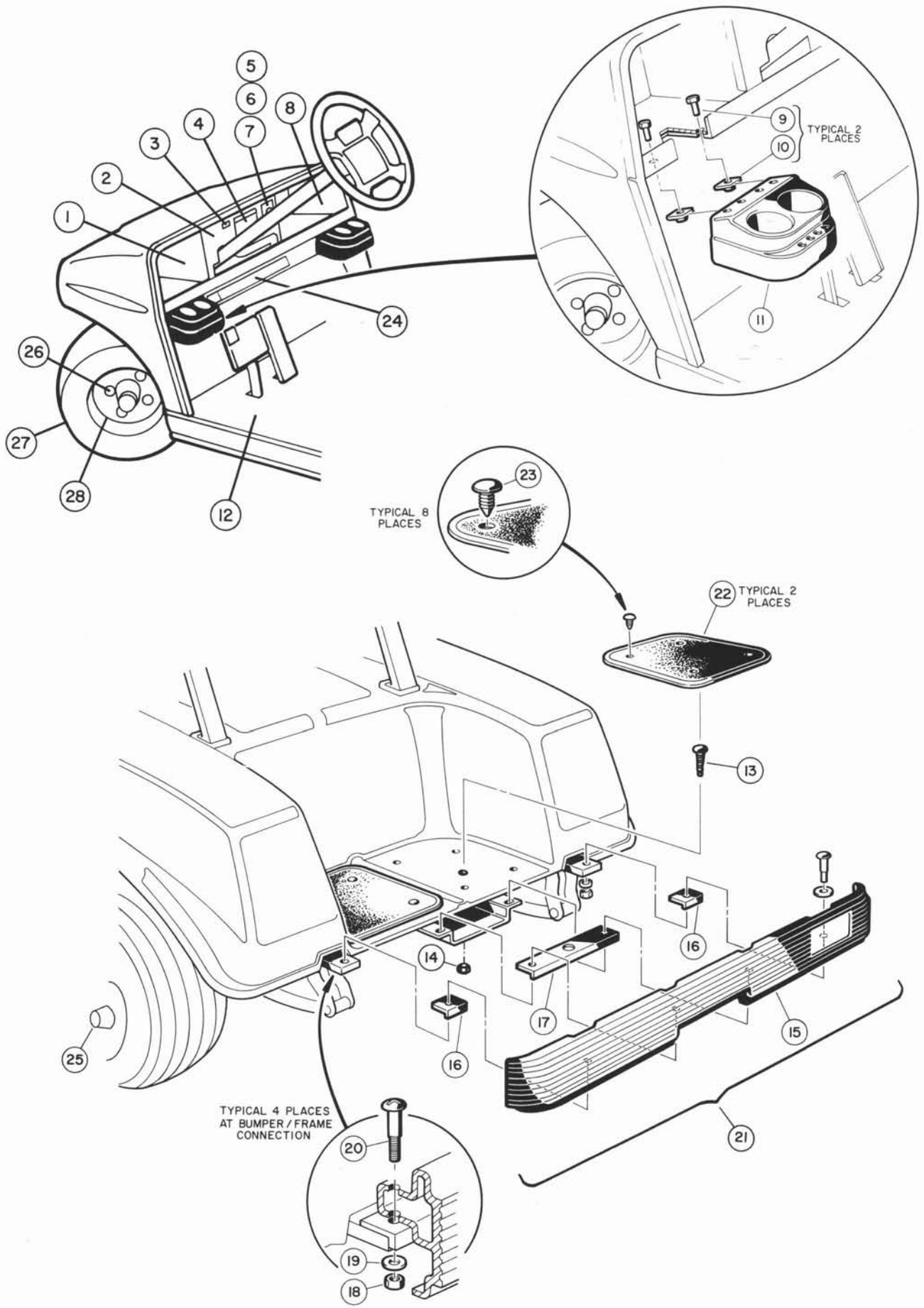
E

| | | |
|------------------------|---|-----------|
| ELECTRICAL |  | 12 |
| BATTERY CHARGER |  | 13 |
| MOTOR |  | 14 |
| REAR SUSPENSION |  | 15 |



Section 1

**BODY AND TRIM
FRONT AND REAR COVERS**



BODY AND TRIM

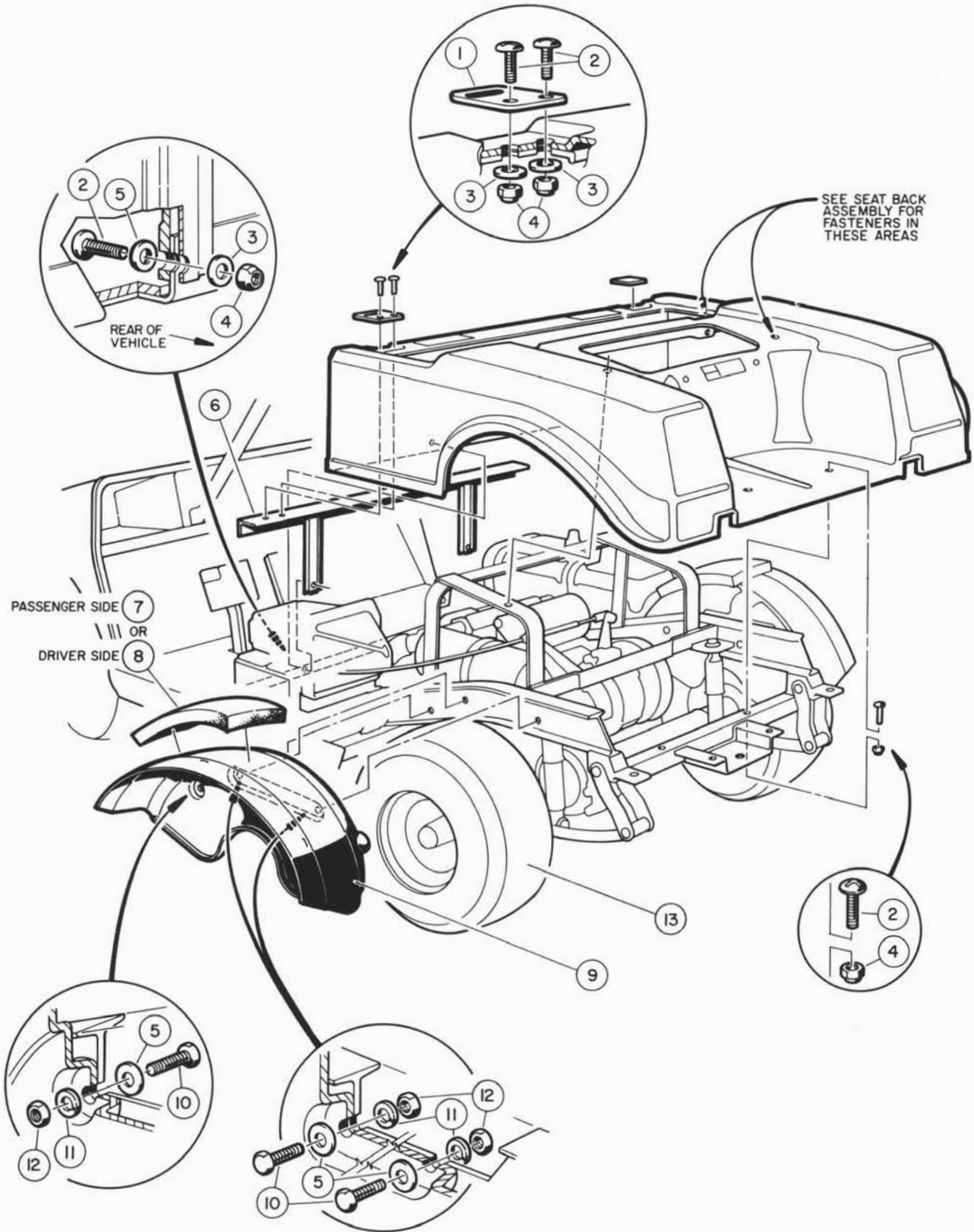
BODY AND TRIM

G

E

1

| ITEM NUMBER | PART NUMBER | DESCRIPTION | UNITS PER VEHICLE | |
|-------------|-------------|--|-------------------|-------|
| | | | GAS | ELEC. |
| 1 | 1013980 | DASH COMPONENT, LEFT (TAN) | 1 | 1 |
| 1 | 1013344 | DASH COMPONENT, LEFT (BLACK) | 1 | 1 |
| 2 | 1016604-01 | CENTER DASH PANEL (TAN) | | 1 |
| 2 | 1016620-01 | CENTER DASH PANEL WITH OIL LIGHT OPENING (TAN) | 1 | |
| 2 | 1016604-02 | CENTER DASH PANEL (BLACK) | | 1 |
| 2 | 1016620-02 | CENTER DASH PANEL WITH OIL LIGHT OPENING (BLACK) | 1 | |
| 2 | 1016620-03 | CENTER DASH PANEL WITH OIL AND FUEL GAUGE (BLACK) | 1 | |
| 3 | 1016630 | OIL LIGHT | 1 | |
| 4 | 1013390 | DECAL, GOLF ETIQUETTE | 1 | 1 |
| 5 | 1012415 | SWITCH, KEY (INCLUDES 2 KEYS) 12 VOLT | 1 | |
| 5 | 1012531 | SWITCH, KEY (INCLUDES 2 KEYS) 36 VOLT | | 1 |
| 6 | 1012505 | KEY | PAIR | PAIR |
| 7 | 1012530 | DECAL, ON/OFF | 1 | 1 |
| 8 | 1013979 | DASH COMPONENT, RIGHT (TAN) | 1 | 1 |
| 8 | 1013343 | DASH COMPONENT, RIGHT (BLACK) | 1 | 1 |
| 9 | 7847 | BOLT, 1/4-20x3/4 | 2 | 2 |
| 10 | 1016952 | 1/4-20 U-NUT | 2 | 2 |
| 11 | 1017083-01 | DRINK HOLDER KIT INCLUDES ITEMS 8 AND 9 | 2 | 2 |
| 12 | 1015032 | MAT, FLOOR | 1 | 1 |
| 13 | 8251 | PHILLIPS TRUSS HEAD SCREW, 1/4-20 | 2 | 2 |
| 14 | 8233 | NYLON LOCKNUT, 1/4-20 | 2 | 2 |
| 15 | 1016379 | REAR BUMBER | 1 | 1 |
| 16 | 1016874 | MOUNTING PLATE - SHORT | 2 | 2 |
| 17 | 1016875 | MOUNTING PLATE - LONG | 2 | 2 |
| 18 | 7473 | NYLON LOCKNUT, 5/16-18 | 4 | 4 |
| 19 | 1241 | FLATWASHER, 5/16 DIAMETER | 4 | 4 |
| 20 | 1016876 | PHILLIPS TRUSS HEAD SHOULDER BOLT, 3/8-58 | 4 | 4 |
| 21 | 1017079 | REAR BUMPER KIT INCLUDES ITEMS 15-20 | 1 | 1 |
| 22 | 1014392 | MAT, BAG WELL | 2 | 2 |
| 23 | 1010434 | PLASTIC BARREL FASTENER | 8 | 8 |
| 24 | 1014883 | DASH WARNING DECAL | 1 | 1 |
| 25 | 1012186 | DUST SEAL (REAR WHEELS ONLY) | 2 | 2 |
| 26 | 1011390 | LUG NUT PACKAGE (8 PIECES) | 2 | 2 |
| 27 | 1015705-01 | TIRE AND WHEEL ASSEMBLY, BEIGE, RIB TERRA | 4 | 4 |
| 27 | 1015705-02 | TIRE AND WHEEL ASSEMBLY, BEIGE, POWER RIB | 4 | 4 |
| 27 | 1015705-03 | TIRE AND WHEEL ASSEMBLY, BEIGE, SOFTRAC | 4 | 4 |
| 27 | 1015705-04 | TIRE AND WHEEL ASSEMBLY, BEIGE, WHITE WALL POWER RIB | 4 | 4 |
| 27 | 1015705-05 | TIRE AND WHEEL ASSEMBLY, BEIGE, TERRAGARD | 4 | 4 |
| 27 | 1016514-01 | TIRE AND WHEEL ASSEMBLY, WHITE, RIB TERRA | 4 | 4 |
| 27 | 1016514-02 | TIRE AND WHEEL ASSEMBLY, WHITE, POWER RIB | 4 | 4 |
| 27 | 1016514-03 | TIRE AND WHEEL ASSEMBLY, WHITE, SOFTRAC | 4 | 4 |
| 27 | 1016514-04 | TIRE AND WHEEL ASSEMBLY, WHITE, WHITE WALL POWER RIB | 4 | 4 |
| 27 | 1016514-05 | TIRE AND WHEEL ASSEMBLY, WHITE, TERRAGARD | 4 | 4 |
| 27 | 1016514-06 | TIRE AND WHEEL ASSEMBLY, WHITE, POWER CUSHION, 6 PLY | 4 | 4 |
| 27 | 1016514-07 | TIRE AND WHEEL ASSEMBLY, WHITE, SOFTRAC, 6 PLY | 4 | 4 |
| 28 | 1015707 | WHEEL RIM, BEIGE (UNMOUNTED RIM NOT SHOWN) | 4 | 4 |
| 28 | 1014771 | WHEEL RIM, WHITE (UNMOUNTED RIM NOT SHOWN) | 4 | 4 |

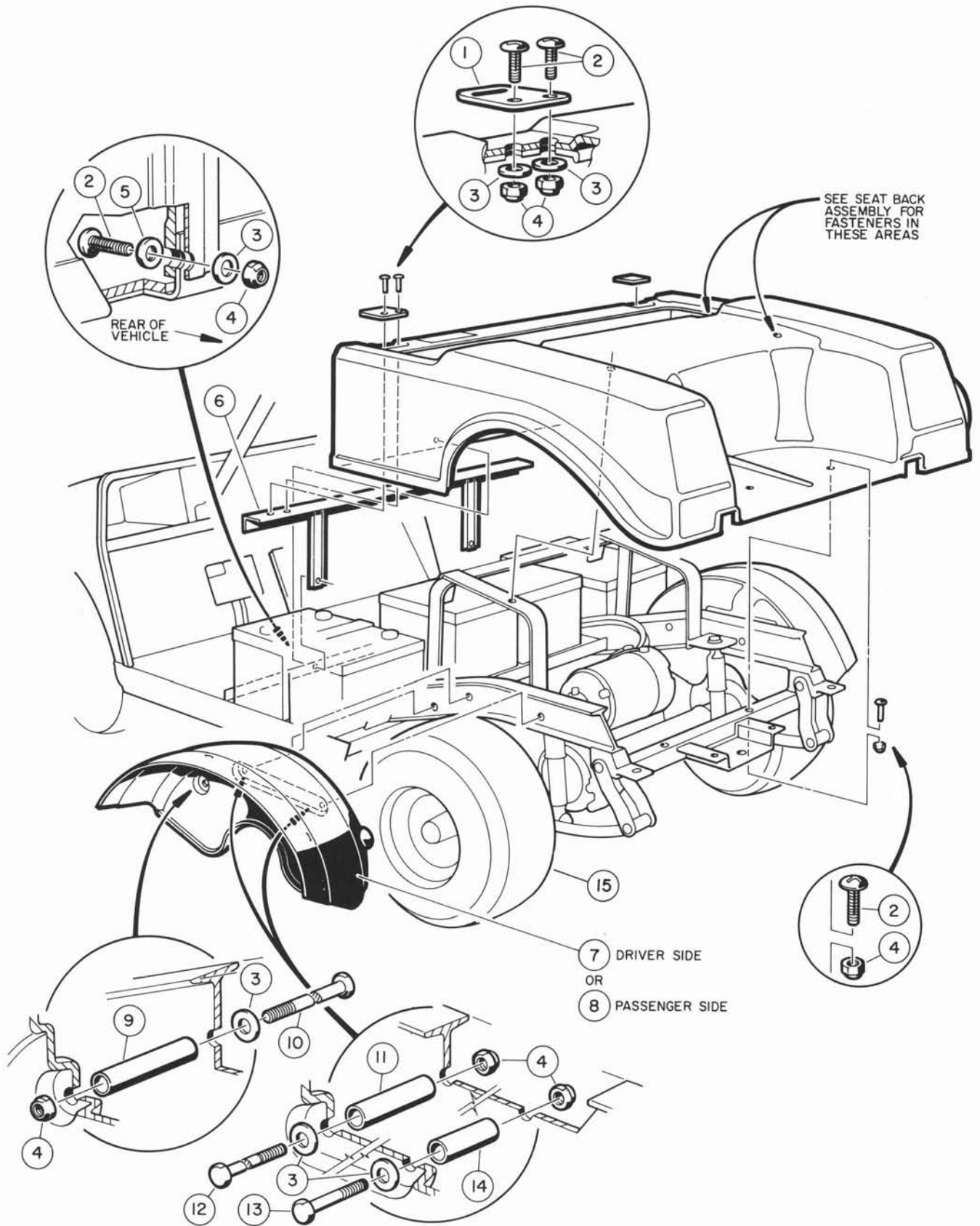


FENDER BODY INSTALLATION - GASOLINE VEHICLE

FENDER BODY INSTALLATION - GASOLINE VEHICLE

| ITEM NUMBER | PART NUMBER | DESCRIPTION | | | | UNITS PER VEHICLE |
|-------------|-------------|--|---|---|---|-------------------|
| | | 1 | 2 | 3 | 4 | |
| 1 | 1012412 | HINGE PLATE BODY | | | | 2 |
| 2 | 8251 | PHILLIP HEAD SCREW, 1/4-20 X 1" | | | | 8 |
| 3 | 332 | FLATWASHER, 1/4 DIAMETER | | | | 12 |
| 4 | 8233 | NYLON LOCKNUT, 1/4-20 | | | | 8 |
| 5 | 1014528 | PLASTIC WASHER, 1/4 DIAMETER | | | | 2 |
| 6 | 1017141 | BODY SUPPORT FRONT | | | | 1 |
| 7 | 1015422 | SOUND INSULATION RIGHT SIDE FENDER | | | | 1 |
| 8 | 1015421 | SOUND INSULATION LEFT SIDE FENDER | | | | 1 |
| 9 | 1013103 | INNER FENDER | | | | 2 |
| 10 | 304 | HEX HEAD CAP SCREW, 1/4-20 X 1" | | | | 6 |
| 11 | 451 | LOCKWASHER, 1/4 DIAMETER | | | | 6 |
| 12 | 1028 | HEX NUT, 1/4-20 | | | | 6 |
| 13 | 1015672 | TIRE - UNMOUNTED, POWER RIB | | | | A/R |
| 13 | 1015674 | TIRE - UNMOUNTED, SOFTRAC | | | | A/R |
| 13 | 7271 | TIRE - UNMOUNTED, RIB TERRA | | | | A/R |
| 13 | 1017370 | TIRE - UNMOUNTED, POWER CUSHION, 6 PLY | | | | A/R |
| 13 | 1017693 | TIRE - UNMOUNTED, SOFTRAC, 6 PLY | | | | A/R |

G
E
1

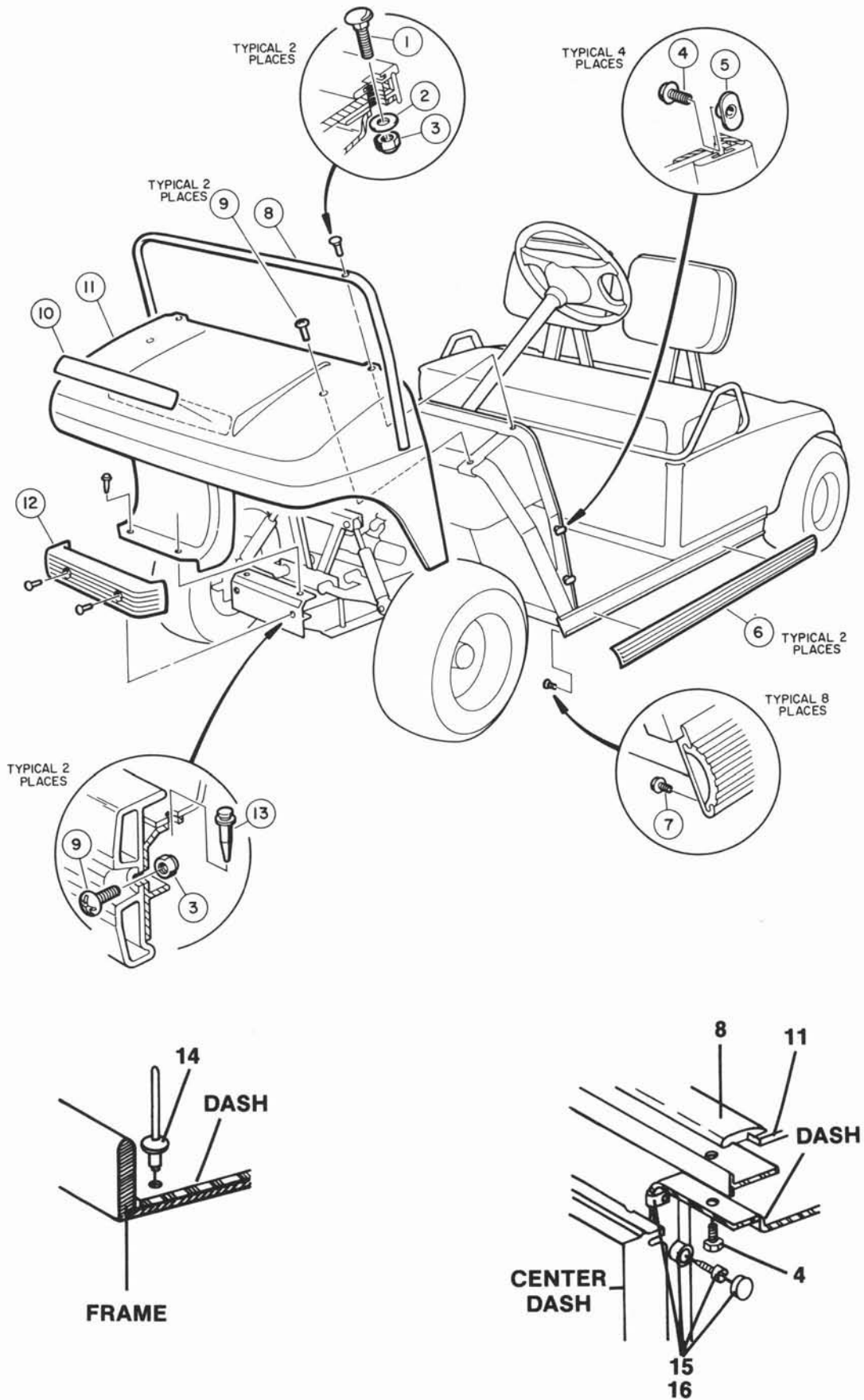


FENDER BODY INSTALLATION - ELECTRIC VEHICLE

FENDER BODY INSTALLATION - ELECTRIC VEHICLE

G
E
1

| ITEM NUMBER | PART NUMBER | DESCRIPTION | UNITS PER VEHICLE |
|-------------|-------------|--|-------------------|
| 1 | 1012412 | HINGE PLATE BODY | 2 |
| 2 | 8251 | PHILLIPS HEAD SCREW, 1/4-20 X 1" | 8 |
| 3 | 332 | FLATWASHER, 1/4 DIAMETER | 12 |
| 4 | 8233 | NYLON LOCKNUT, 1/4-20 | 8 |
| 5 | 1014528 | FLATWASHER, 1/4 DIAMETER | 2 |
| 6 | 1017141 | BODY SUPPORT FRONT | 1 |
| 7 | 1013103 | INNER FENDER, DRIVER SIDE | 1 |
| 8 | 1013103 | INNER FENDER, PASSENGER SIDE | 1 |
| 9 | 1013508 | POLYTHYLENE SPACER, 2-3/4" | 2 |
| 10 | 1012462 | HEX HEAD CAP SCREW, 1/4-20 X 3-1/2" | 2 |
| 11 | 1013506 | POLYTHYLENE SPACER, 2-1/8" | 2 |
| 12 | 343 | HEX HEAD CAP SCREW, 1/4-20 X 3" | 2 |
| 13 | 1013509 | HEX HEAD CAP SCREW, 1/4-20 X 1-3/4" | 2 |
| 14 | 1013507 | SPACER, 1" | 2 |
| 15 | 1015672 | TIRE - UNMOUNTED, POWER RIB | A/R |
| 15 | 1015674 | TIRE - UNMOUNTED, SOFTRAC | A/R |
| 15 | 7271 | TIRE - UNMOUNTED, RIB TERRA | A/R |
| 15 | 1017370 | TIRE - UNMOUNTED, POWER CUSHION, 6 PLY | A/R |
| 15 | 1017693 | TIRE - UNMOUNTED, SOFTRAC, 6 PLY | A/R |



COVER - FRONT

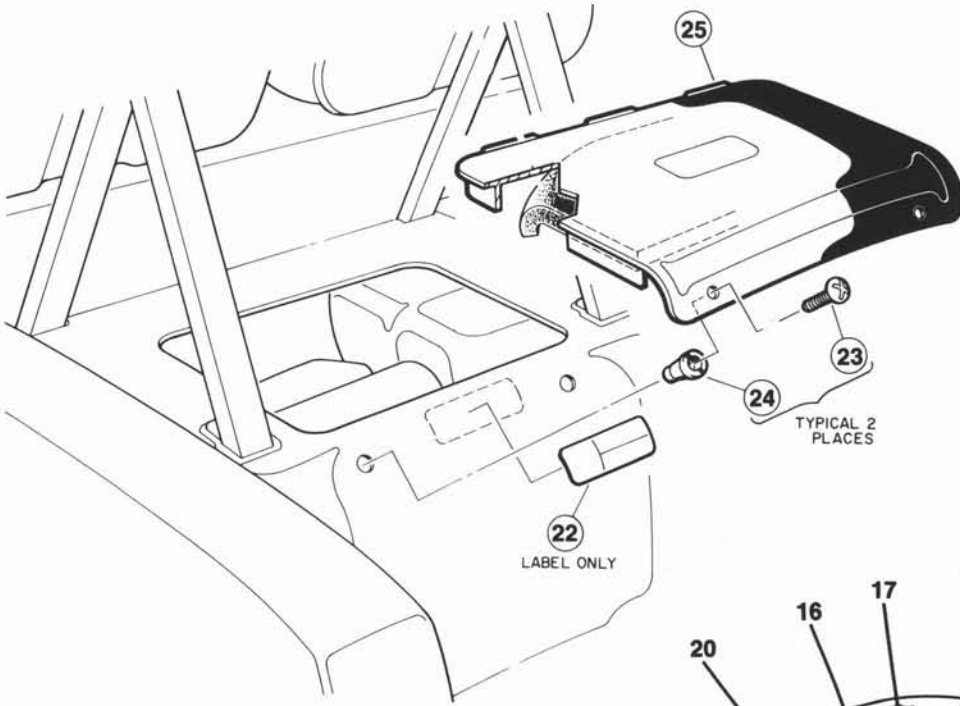
COVER - FRONT

G

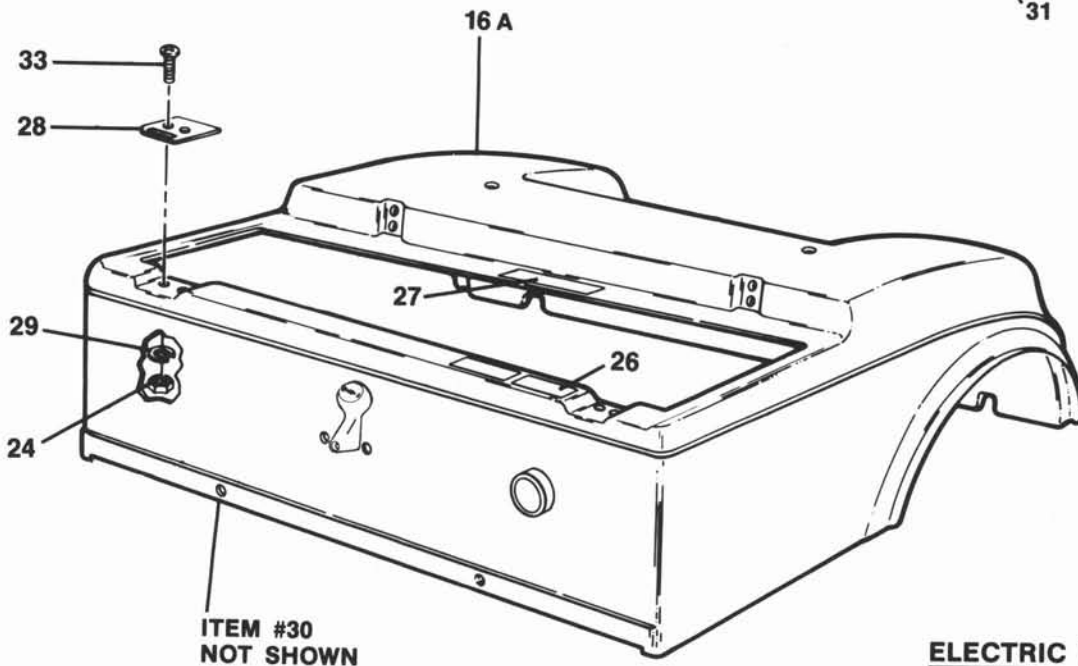
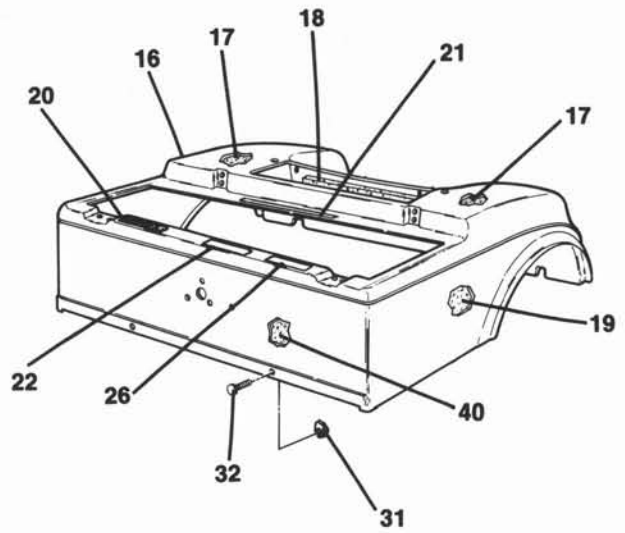
E

1

| ITEM NUMBER | PART NUMBER | 1 | 2 | 3 | 4 | DESCRIPTION | UNITS PER VEHICLE |
|-------------|-------------|---|---|---|---|---|-------------------|
| 1 | 1010435 | | | | | ROUND HEAD SQUARE NECK BOLT, 5/16-18 X 1" | 2 |
| 2 | 1241 | | | | | FLATWASHER, 5/16 DIAMETER | 2 |
| 3 | 7473 | | | | | NYLON LOCKNUT, 5/16-18 | 2 |
| 4 | 1011017 | | | | | FLANGE LOCK SCREW | 6 |
| 5 | 1011394 | | | | | SLAB BASE "T" NUT PACKAGE (4 PIECES) | 1 |
| 6 | 1013983 | | | | | BUMPER SIDE GUARD | 2 |
| 7 | 1012047 | | | | | SELF TAPPING SCREW, #8-32 | 8 |
| 8 | 1011014 | | | | | FRONT BODY, TRIM | 1 |
| 9 | 7251 | | | | | PHILLIPS TRUSS HEAD SCREW, 5/16-18 X 1.00 | 2 |
| 10 | 1014198 | | | | | NAMEPLATE KIT | 1 |
| 11 | 1016925-01 | | | | | FRONT BODY, BEIGE | 1 |
| 11 | 1016925-02 | | | | | FRONT BODY, WHITE | 1 |
| 11 | 1016925-04 | | | | | FRONT BODY, GRAY | 1 |
| 11 | 1016925-05 | | | | | FRONT BODY, GREEN | 1 |
| 11 | 1016925-06 | | | | | FRONT BODY, RED | 1 |
| 11 | 1016925-07 | | | | | FRONT BODY, LIGHT BLUE | 1 |
| 11 | 1016939-01 | | | | | FRONT BODY WITH HEADLIGHT OPENING, BEIGE | 1 |
| 11 | 1016939-02 | | | | | FRONT BODY WITH HEADLIGHT OPENING, WHITE | 1 |
| 11 | 1016939-04 | | | | | FRONT BODY WITH HEADLIGHT OPENING, GRAY | 1 |
| 11 | 1016939-05 | | | | | FRONT BODY WITH HEADLIGHT OPENING, GREEN | 1 |
| 11 | 1016939-06 | | | | | FRONT BODY WITH HEADLIGHT OPENING, RED | 1 |
| 11 | 1016939-07 | | | | | FRONT BODY WITH HEADLIGHT OPENING, LIGHT BLUE | 1 |
| 12 | 1016868 | | | | | BUMPER FRONT | 1 |
| 13 | 1016967 | | | | | BLIND RIVET | 2 |
| 14 | 7973 | | | | | POP RIVET, 3/16 X 1/2" | 7 |
| 15 | 1013986 | | | | | SNAP WASHER KIT (BROWN) | 2 |
| 16 | 1014645 | | | | | SNAP WASHER KIT (BLACK) | 2 |
| | 1017080 | | | | | FRONT BUMPER KIT INCLUDES ITEMS 3, 9, AND 12 | 1 |



GASOLINE VEHICLE



ELECTRIC VEHICLE

COVERS - REAR

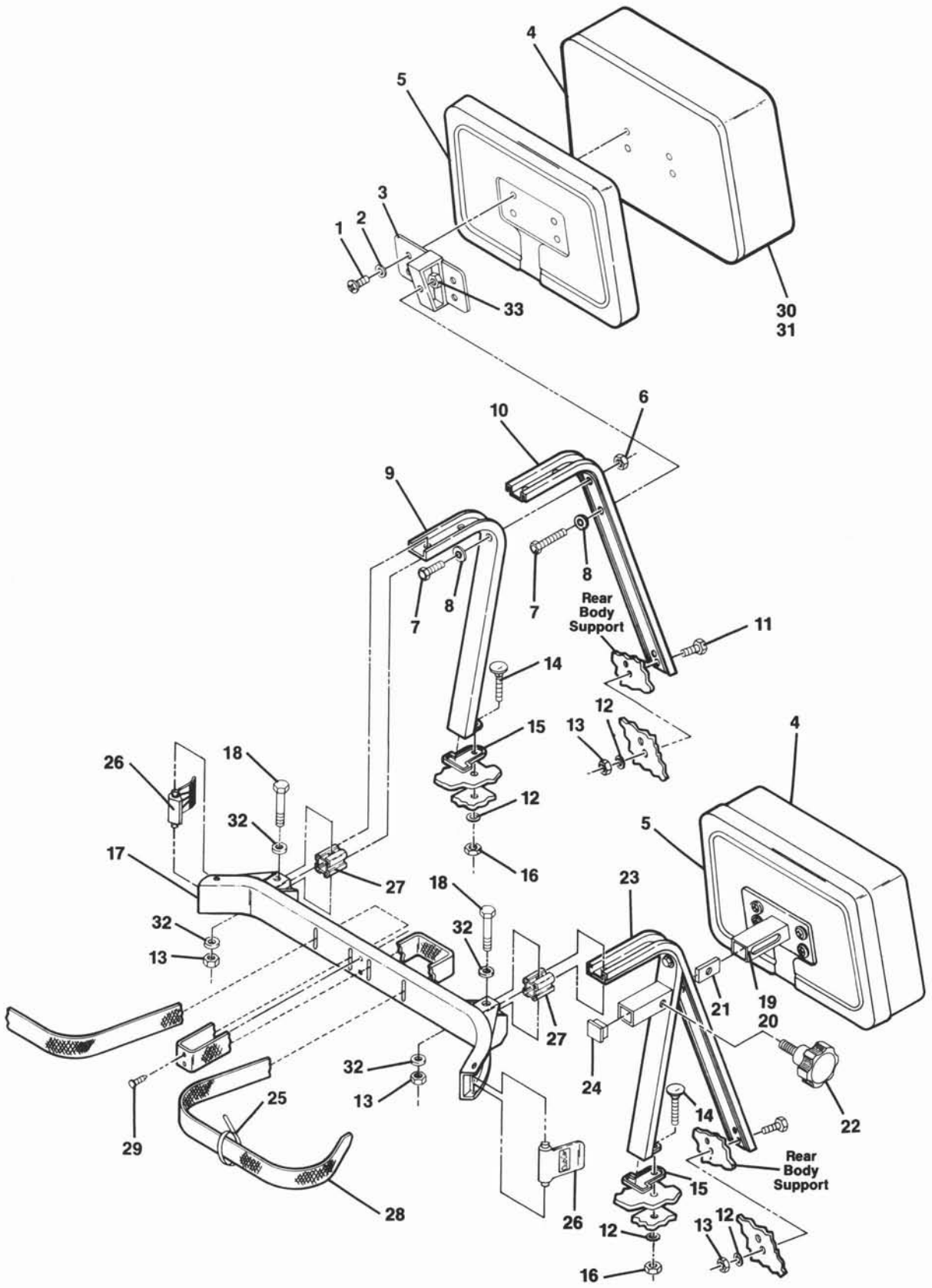
COVERS - REAR

G

E

1

| ITEM NUMBER | PART NUMBER | DESCRIPTION | UNITS PER VEHICLE | |
|-------------|-------------|--|-------------------|-------|
| | | | GAS | ELEC. |
| 16 | 1016926-01 | BODY, BEIGE, GASOLINE VEHICLE | 1 | |
| 16 | 1016926-02 | BODY, WHITE, GASOLINE VEHICLE | 1 | |
| 16 | 1016926-04 | BODY, GRAY, GASOLINE VEHICLE | 1 | |
| 16 | 1016926-05 | BODY, GREEN, GASOLINE VEHICLE | 1 | |
| 16 | 1016926-06 | BODY, RED, GASOLINE VEHICLE | 1 | |
| 16 | 1016926-07 | BODY, LIGHT BLUE, GASOLINE VEHICLE | | 1 |
| 16A | 1016933-01 | BODY, BEIGE, ELECTRIC VEHICLE | | 1 |
| 16A | 1016933-02 | BODY, WHITE, ELECTRIC VEHICLE | | 1 |
| 16A | 1016933-04 | BODY, GRAY, ELECTRIC VEHICLE | | 1 |
| 16A | 1016933-05 | BODY, GREEN, ELECTRIC VEHICLE | | 1 |
| 16A | 1016933-06 | BODY, RED, ELECTRIC VEHICLE | | 1 |
| 16A | 1016933-07 | BODY, LIGHT BLUE, ELECTRIC VEHICLE | | 1 |
| 16A | 1016962-01 | BODY WITH TAIL LIGHT OPENINGS, BEIGE, ELECTRIC VEHICLE | | 1 |
| 16A | 1016962-02 | BODY WITH TAIL LIGHT OPENINGS, WHITE, ELECTRIC VEHICLE | | 1 |
| 16A | 1016962-04 | BODY WITH TAIL LIGHT OPENINGS, GRAY, ELECTRIC VEHICLE | | 1 |
| 16A | 1016962-05 | BODY WITH TAIL LIGHT OPENINGS, GREEN, ELECTRIC VEHICLE | | 1 |
| 16A | 1016962-06 | BODY WITH TAIL LIGHT OPENINGS, RED, ELECTRIC VEHICLE | | 1 |
| 16A | 1016962-07 | BODY WITH TAIL LIGHT OPENINGS, LIGHT BLUE, ELECTRIC VEHICLE | | 1 |
| 16 | 1016926-08 | BODY WITH TAIL LIGHT OPENINGS, BEIGE, GASOLINE VEHICLE | 1 | |
| 16 | 1016926-09 | BODY WITH TAIL LIGHT OPENINGS, WHITE, GASOLINE VEHICLE | 1 | |
| 16 | 1016926-11 | BODY WITH TAIL LIGHT OPENINGS, GRAY, GASOLINE VEHICLE | 1 | |
| 16 | 1016926-12 | BODY WITH TAIL LIGHT OPENINGS, GREEN, GASOLINE VEHICLE | 1 | |
| 16 | 1016926-13 | BODY WITH TAIL LIGHT OPENINGS, RED, GASOLINE VEHICLE | 1 | |
| 16 | 1016926-14 | BODY WITH TAIL LIGHT OPENINGS, LIGHT BLUE, GASOLINE VEHICLE | 1 | |
| 17 | 1015420 | SOUND INSULATION BODY RIGHT/LEFT FENDER | 2 | |
| 18 | 1015419 | SOUND INSULATION BAGWELL AREA | 1 | |
| 19 | 1017113 | SOUND INSULATION LEFT SIDE | 1 | |
| 20 | 1015476 | GASOLINE TANK DANGER LABEL | 1 | |
| 21 | 1017257 | HOT MANIFOLD/MUFFLER LABEL | 1 | |
| 22 | 1015475 | WARNING: MOVING PARTS DECAL - GASOLINE VEHICLES | 2 | |
| 23 | 1017114 | PHILLIPS HEAD SCREW (BLACK), 1/4-20 X 1 | 8 | 8 |
| 24 | 8233 | NYLON LOCKNUT, 1/4-20 | 4 | 4 |
| 24 | 1015525 | BLIND NUT, 1/4-20 | 2 | |
| 25 | 1015829-01 | ACCESS DOOR ASSEMBLY (BEIGE) KIT | 1 | |
| 25 | 1015829-02 | ACCESS DOOR ASSEMBLY (BLACK) KIT | 1 | |
| 26 | 1013677 | BATTERY DANGER DECAL | | 1 |
| 27 | 1013496 | RESISTOR WARNING DECAL | | 1 |
| 28 | 1012412 | HINGE PLATE | 2 | 2 |
| 29 | 332 | FLATWASHER, 1/4 DIAMETER | 4 | 4 |
| 30 | 1017220 | BODY SUPPORT RETROFIT KIT (NOT SHOWN) INCLUDES (ITEMS 34 THRU 39) | 1 | 1 |
| 31 | 1016952 | U-NUT, 1/4-20 | 2 | 2 |
| 32 | 1014415 | TORX TRUSS HEAD SCREW, 1/4-20 X 3/4 | 2 | 2 |
| 33 | 8251 | PHILLIPS HEAD SCREW, 1/4-20 X 1 | 4 | 4 |
| 34 | 1017141 | BODY SUPPORT FRONT (NOT SHOWN) | 1 | 1 |
| 35 | 1017138 | BODY SUPPORT REAR (NOT SHOWN) | 1 | 1 |
| 36 | 1014528 | PLASTIC FLATWASHER, 1/4 DIAMETER | 2 | 2 |
| 37 | 332 | FLATWASHER, 1/4 DIAMETER | 6 | 6 |
| 38 | 8251 | PHILLIPS TRUSS HEAD SCREW, 1/4-20 X 1" | 6 | 6 |
| 39 | 8233 | LOCKNUT, 1/4 -20 | 6 | 6 |
| 40 | 1016963 | SOUND INSULATION FRONT | 1 | |



SEAT BACK AND BAG HOOP

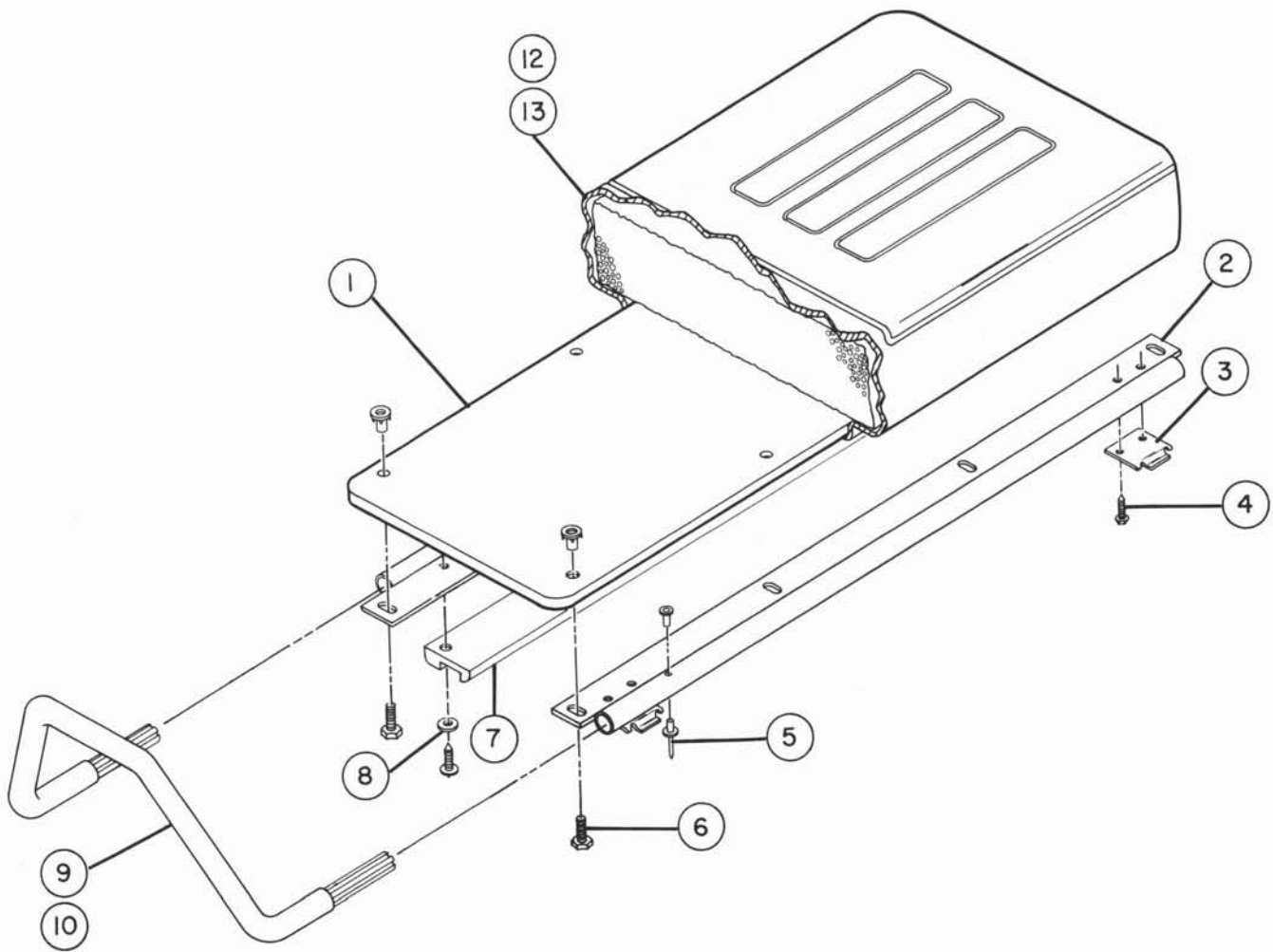
SEAT BACK AND BAG HOOP

G

E

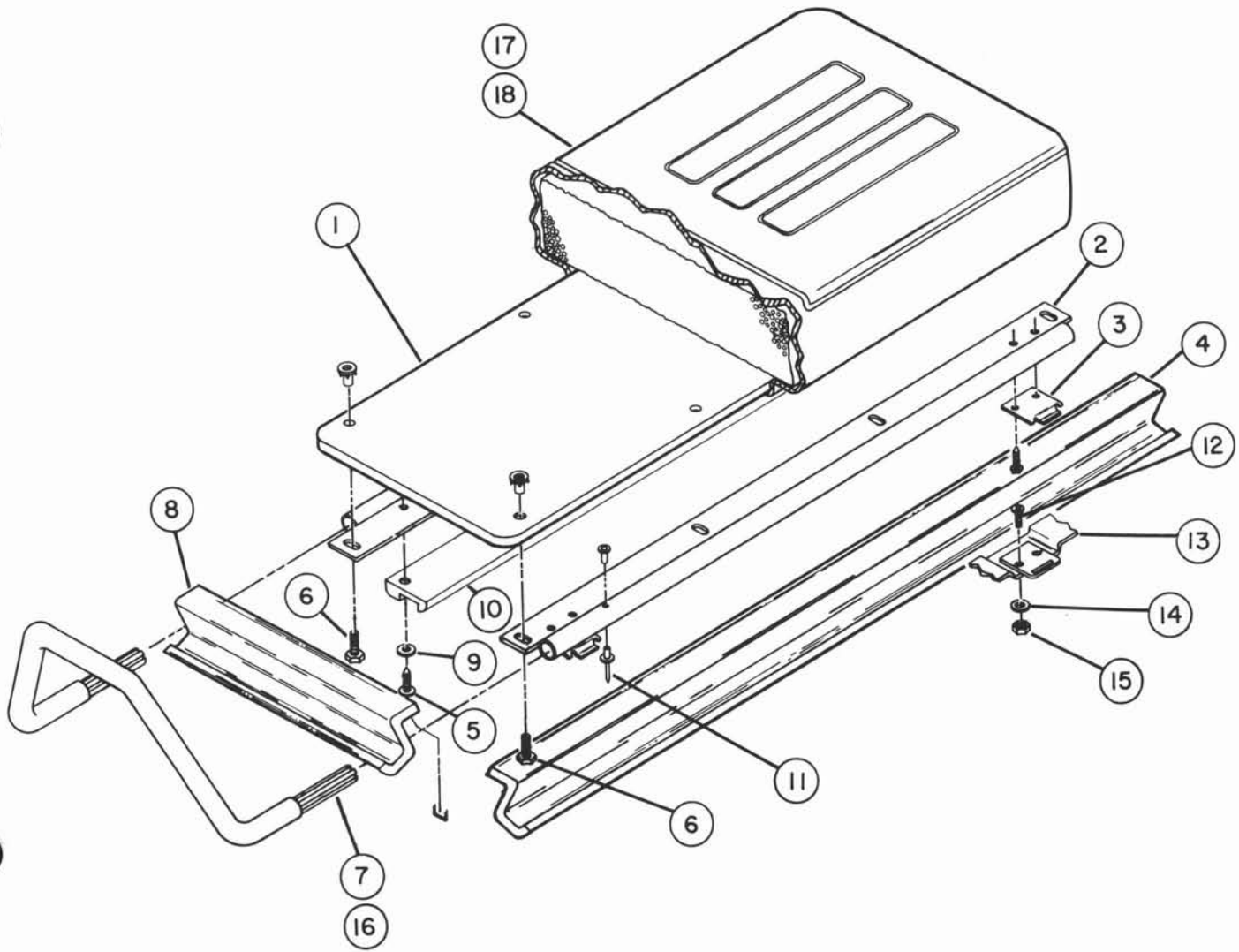
1

| ITEM NUMBER | PART NUMBER | DESCRIPTION | UNITS PER VEHICLE | |
|-------------|-------------|---|-------------------|-------|
| | | | GAS | ELEC. |
| 1 | 8248 | PHILLIPS TRUSS HEAD SCREW 1/4-20 X 3/4 | 8 | 8 |
| 2 | 8304 | LOCKWASHER, 1/4 INTERNAL TOOTH | 8 | 8 |
| 3 | 1017409 | SEAT BACK MOUNT | 2 | 2 |
| 4 | 1015651-02 | SEAT BACK ASSEMBLY - THICK BUNN (WHITE WITH BLACK CAP) INCLUDES ITEM 5 | 2 | 2 |
| 4 | 1015651-04 | SEAT BACK ASSEMBLY - THICK BUNN (WHITE WITH TAN CAP) INCLUDES ITEM 5 | 2 | 2 |
| 4 | 1015651-05 | SEAT BACK ASSEMBLY - THICK BUNN (BUFF WITH BLACK CAP) INCLUDES ITEM 5 | 2 | 2 |
| 5 | 1011231 | CAP, SEAT BACK (TAN) | 2 | 2 |
| 5 | 1013938 | CAP, SEAT BACK (BROWN) | 2 | 2 |
| 5 | 1013335 | CAP, SEAT BACK (BLACK) | 2 | 2 |
| 6 | 8233 | NYLON LOCKNUT, 1/4-20 | 2 | 2 |
| 7 | 7847 | HEX HEAD CAP SCREW, 1/4-20 X 3/4" | 6 | 6 |
| 8 | 332 | FLATWASHER, 1/4 DIAMETER | 8 | 8 |
| 9 | 1011710 | KNEE BRACE WELD ASSEMBLY | 2 | 2 |
| 10 | 1011708 | MAIN SEAT BACK SUPPORT | 2 | 2 |
| 11 | 1010577 | HEX HEAD CAP SCREW, 5/16-18 X 1-1/2" | 4 | 4 |
| 12 | 1241 | FLATWASHER, 5/16 DIAMETER | 6 | 6 |
| 13 | 7473 | NYLON LOCKNUT, 5/16-18 | 8 | 8 |
| 14 | 7818 | CARRIAGE BOLT, 5/16-18 X 1-1/2" | 2 | 2 |
| 15 | 1011706 | SEAT BACK SUPPORT MOUNTING PAD | 2 | 2 |
| 16 | 1242 | HEX NUT, 5/16-18 | 2 | 2 |
| 17 | 1013935 | BAG HOOP ASSEMBLY INCLUDES ITEMS 26, 28, AND 29 | 1 | 1 |
| 18 | N/A | HEX HEAD CAP SCREW, 5/16-18 X 2-1/4" | 2 | 2 |
| 19 | 1011794 | ADJUSTABLE SEAT BACK KIT (OPTION) INCLUDES ITEMS 20-24 | A/R | A/R |
| 20 | 1011794 | MOUNTING PLATE WELD ASSEMBLY | 2 | 2 |
| 21 | 1010322 | SEAT ADJUSTER LOCK | 2 | 2 |
| 22 | 1011761 | SEAT ADJUSTER KNOB | 2 | 2 |
| 23 | NO # | ADJUSTABLE SEAT BACK WELD ASSEMBLY (SEE ITEM 21) | 2 | 2 |
| 24 | 1011760 | TUBE PLUG | 2.4 | 2 |
| 25 | 8639 | TIE WRAP | 1 | 1 |
| 26 | 1013754 | BAG STRAP BUCKLE | 2 | 2 |
| 27 | 1013884 | SPACER, BAG HOOP | 2 | 2 |
| 28 | 1010413 | BELT STRAP (LONG) | 1 | 1 |
| 29 | 1010434 | PLASTIC BARRELS (BLACK) | 2 | 2 |
| 30 | 1015626-01 | VINYL COVER - SEAT BACK (BUFF) | A/R | A/R |
| 31 | 1015626-02 | VINYL COVER - SEAT BACK (WHITE) | A/R | A/R |
| 32 | N/A | FLATWASHER (BLACK), 5/16 | 4 | 4 |
| 33 | 1015661 | FLANGE LOCKNUTS, 1/4-20 | 4 | 4 |



SEAT BOTTOM AND ARMREST - ELECTRIC VEHICLE

| ITEM NUMBER | PART NUMBER | 1 2 3 4 | DESCRIPTION | UNITS PER VEHICLE |
|-------------|-------------|---------|--|-------------------|
| 1 | 1015648-04 | | SEAT BOTTOM ASSEMBLY, BUFF | 1 |
| 1 | 1015648-05 | | SEAT BOTTOM ASSEMBLY, WHITE | 1 |
| 2 | 1015625 | | BRACKET, SEAT SUPPORT | 2 |
| 3 | 1011652 | | PLATE, SEAT HINGE | 2 |
| 4 | 1011451 | | TYPE AB SCREW, #12 | 9 |
| 5 | 1012327 | | MATING RIVET, 3/16 | 4 |
| 6 | 304 | | HEX HEAD CAP SCREW, 1/4-20 | 8 |
| 7 | 1012597 | | SEAT BUMPER | 1 |
| 8 | 183 | | FLATWASHER, #10 DIAMETER | 3 |
| 9 | 1011786 | | LEFT ARMREST ASSEMBLY | 1 |
| 10 | 1011780 | | RIGHT ARMREST ASSEMBLY | 1 |
| 11 | 1015670 | | ARMREST SEAT BOTTOM ASSEMBLY KIT INCLUDES ITEMS 2, 5, 9, AND 10 | 1 |
| 12 | 1015627-01 | | VINYL COVER - SEAT COVER BOTTOM, BUFF | A/R |
| 13 | 1015627-02 | | VINYL COVER - SEAT COVER BOTTOM, WHITE | A/R |



SEAT BOTTOM AND ARMREST - GASOLINE VEHICLE

| ITEM NUMBER | PART NUMBER | DESCRIPTION | | | | UNITS PER VEHICLE |
|-------------|-------------|---|---|---|---|-------------------|
| | | 1 | 2 | 3 | 4 | |
| 1 | 1015648-04 | SEAT BOTTOM ASSEMBLY, BUFF | | | | 1 |
| 1 | 1015648-05 | SEAT BOTTOM ASSEMBLY, WHITE | | | | 1 |
| 2 | 1015625 | BRACKET, SEAT SUPPORT | | | | 2 |
| 3 | 1011652 | PLATE, SEAT HINGE | | | | 2 |
| 4 | 1012657 | GASKET, SEAT (LONG) | | | | 1 |
| 5 | 1011451 | TYPE AB SCREW, #12 | | | | 9 |
| 6 | 304 | HEX HEAD CAP SCREW, 1/4-20 | | | | 8 |
| 7 | 1011786 | LEFT ARMREST ASSEMBLY | | | | 1 |
| 8 | 1012656 | GASKET, SEAT (SHORT) | | | | 2 |
| 9 | 183 | FLATWASHER, #10 DIAMETER | | | | 5 |
| 10 | 1012597 | SEAT BUMPER | | | | 1 |
| 11 | 1012327 | MATING RIVET, 3/16 | | | | 4 |
| 12 | 8251 | PHILLIPS HEAD SCREW, 1/4-20 | | | | 4 |
| 13 | 1012412 | PLATE, BODY HINGE | | | | 2 |
| 14 | 332 | FLATWASHER, 1/4 DIAMETER | | | | 4 |
| 15 | 8233 | NYLON LOCKNUT, 1/4-20 | | | | 4 |
| 16 | 1011780 | RIGHT ARMREST ASSEMBLY | | | | 1 |
| 17 | 1015627-01 | VINYL COVER - SEAT COVER BOTTOM, BUFF | | | | A/R |
| 18 | 1015627-02 | VINYL COVER - SEAT COVER BOTTOM, WHITE | | | | A/R |
| 19 | 1015670 | ARMREST SEAT BOTTOM ASSEMBLY KIT INCLUDES ITEMS 2, 8, 12, AND 13 | | | | 1 |
| 20 | 1015417 | SOUND INSULATION, SEAT BOTTOM (NOT SHOWN) | | | | 1 |
| 21 | 1016623 | INSULATION RETAINER (NOT SHOWN) | | | | 2 |

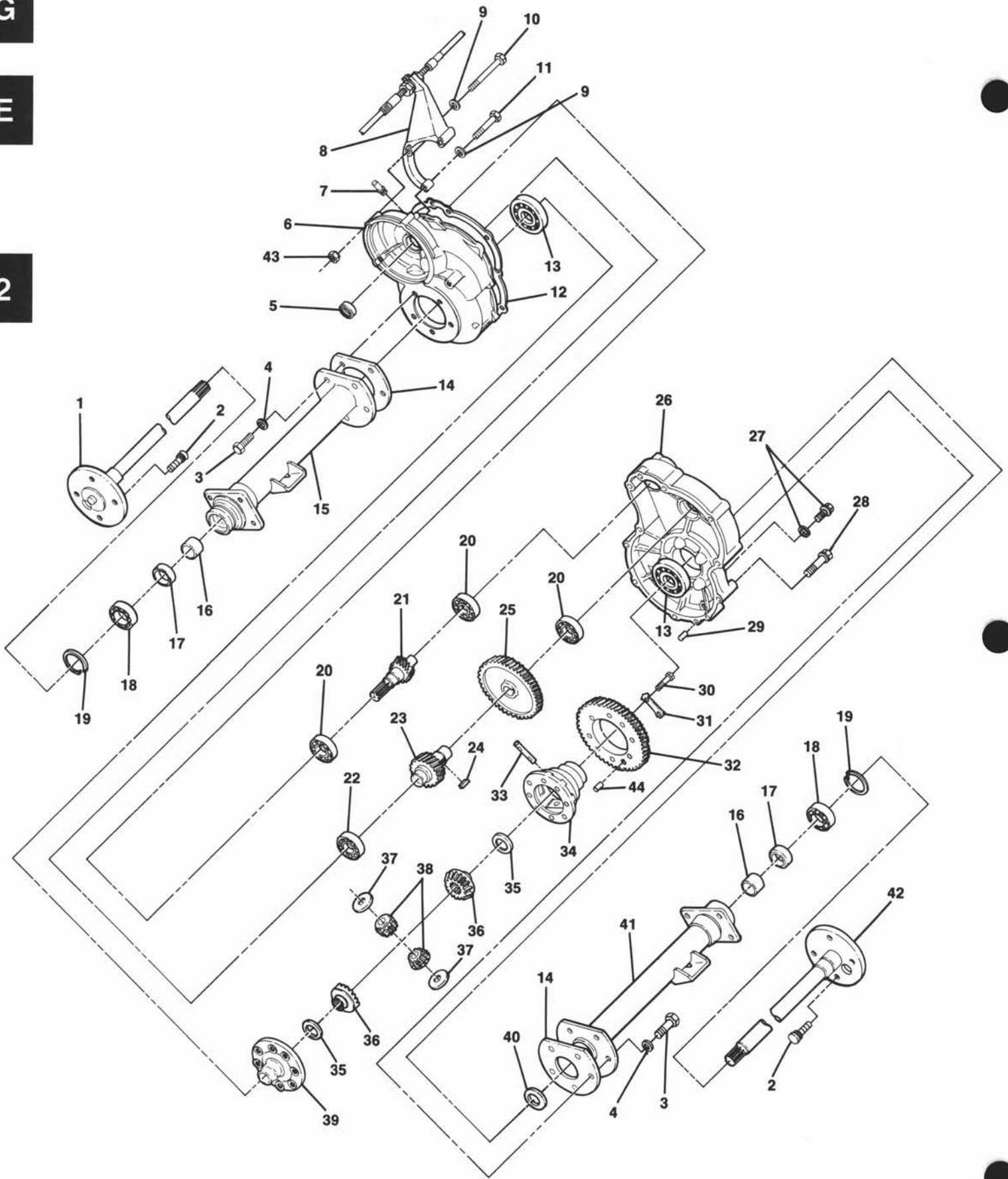


G

E

2

Section 2
TRANSAXLE



TRANSAXLE

TRANSAXLE

G

E

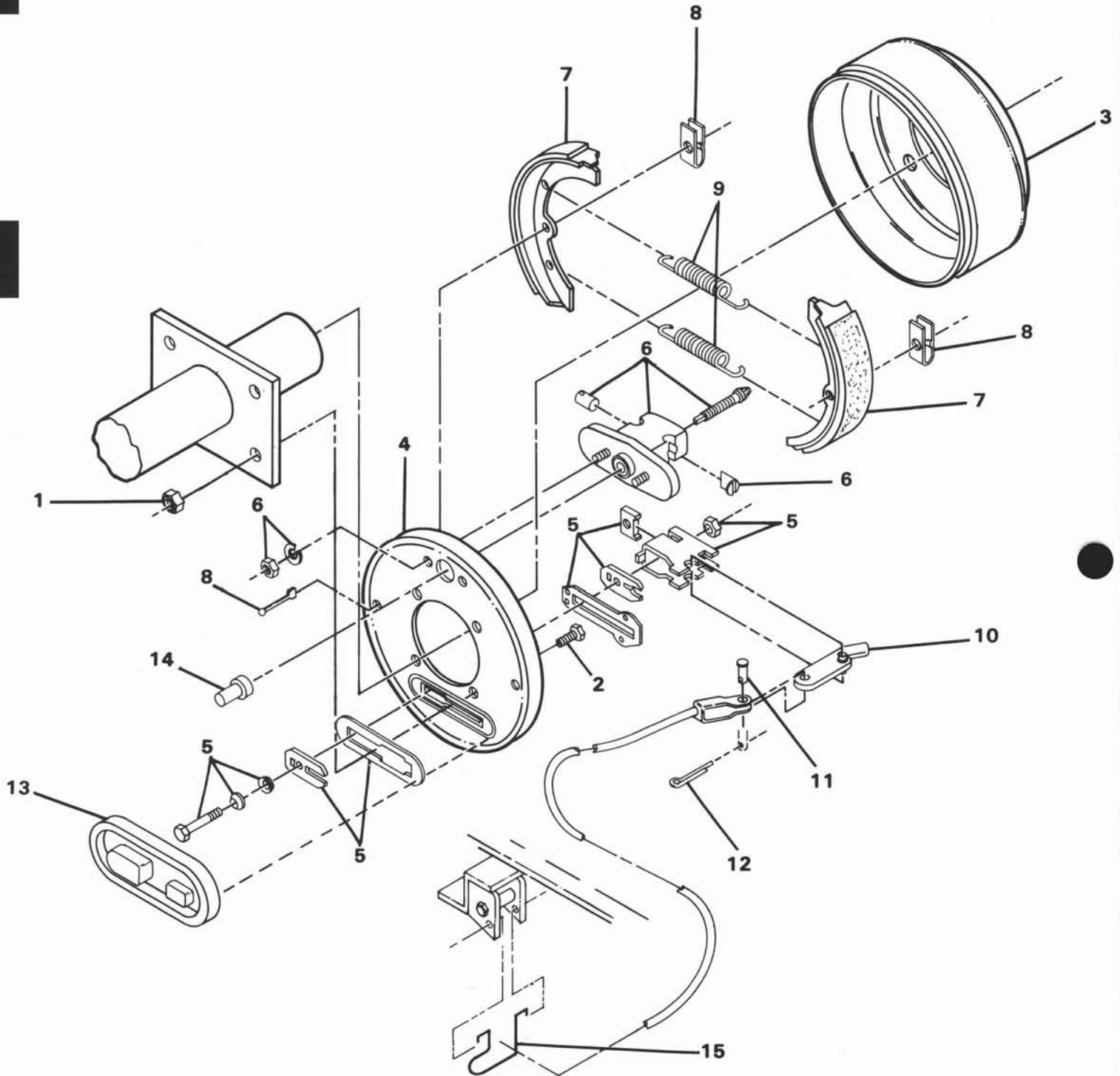
2

| ITEM NUMBER | PART NUMBER | DESCRIPTION | UNITS PER VEHICLE |
|-------------|-------------|---|-------------------|
| | | 1 2 3 4 | |
| | 1017683-01 | TRANSAXLE INCLUDES ALL ITEMS EXCEPT 8, 9, 10, 11, AND 43 | 1 |
| 1 | 1013785 | AXLE ASSEMBLY, RIGHT INCLUDES ITEMS 2, 16, 18, AND 19 | 1 |
| 2 | 1013787 | LUG STUD | 8 |
| 3 | 1013790 | BOLT (10 X 30) | 10 |
| 4 | 1013791 | LOCKWASHER | 10 |
| 5 | 1013775 | INPUT SHAFT OIL SEAL | 1 |
| 6 | 1013756 | GEAR CASE - RIGHT | 1 |
| 7 | 1012711 | BREATHER PLUG | 1 |
| 8 | 1013866 | SHIFT CABLE SUPPORT BRACKET KIT (GASOLINE VEHICLE ONLY) INCLUDES ITEMS 9, 10, 11, AND 43 | 1 |
| 9 | 332 | FLATWASHER, 1/4 DIAMETER | 6 |
| 10 | 1013872 | HEX HEAD CAP SCREW, 1/4-20 X 4" | 2 |
| 11 | 1012462 | HEX HEAD CAP SCREW, 1/4-20 X 3-1/2" | 1 |
| 12 | 1013758 | GASKET, CASE | 1 |
| 13 | 7330 | INNER AXLE, TUBE BEARING | 2 |
| 14 | 1013789 | GASKET - AXLE TUBE | 2 |
| 15 | 1017703 | AXLE TUBE ASSEMBLY - RIGHT | 1 |
| 16 | 1014207 | BUSHING WITH BROOVE IN END | 1 |
| 17 | 1013794 | AXLE SHAFT OIL SEAL | 2 |
| 18 | 1011291 | OUTER AXLE TUBE BEARING | 2 |
| 19 | 1013792 | CIRCLIP, TYPE C | 2 |
| 20 | 7335 | INPUT GEAR BEARING | 3 |
| 21 | 1013764 | SHAFT, INPUT | 1 |
| 22 | 7336 | INTERMEDIATE GEAR BEARING | 1 |
| 23 | 1013766 | INTERMEDIATE GEAR - SMALL | 1 |
| 24 | 1013780 | KEY, SUNK | 1 |
| 25 | 1013765 | INTERMEDIATE GEAR - LARGE | 1 |
| 26 | 1013757 | GEAR CASE - LEFT | 1 |
| 27 | 1013759 | FILL PLUG WITH GASKET | 2 |
| 28 | 1013763 | BOLT (6 X 50) | 10 |
| 29 | 1012710 | PIN, DOWEL | 2 |
| 30 | 1013779 | BOLT (8 X 37) | 8 |
| 31 | 1013782 | PLATE, LOCK | 4 |
| 32 | 1013767 | OUTPUT GEAR | 1 |
| 33 | 1013772 | DIFFERENTIAL PIN | 1 |
| 34 | 1013768 | DIFFERENTIAL GEAR CASE - LEFT | 1 |
| 35 | 1013773 | PLATE, THRUST (DIFFERENTIAL GEAR) | 2 |
| 36 | 1013771 | DIFFERENTIAL GEAR | 2 |
| 37 | 1013774 | PLATE, THRUST (IDLER GEAR) | 2 |
| 38 | 1013770 | DIFFERENTIAL IDLER GEAR | 1 |
| 39 | 1013769 | DIFFERENTIAL GEAR CASE - RIGHT | A/R |
| 40 | 1013781 | SHIM | 1 |
| 41 | 1017704 | AXLE TUBE ASSEMBLY - LEFT | 1 |
| 42 | 1013786 | AXLE ASSEMBLY, LEFT INCLUDES ITEM 2, 16, 18, AND 19 | 3 |
| 43 | 8233 | NYLON LOCKNUT, 1/4-20 | 1 |
| 44 | 1014193 | PIN, DOWEL | 2 |
| 45 | 1016672 | RETAINING RING | 2 |



Section 3

BRAKES, PEDAL AND CABLE ASSEMBLY



BRAKE CLUSTER, RIGHT HAND AND LEFT HAND

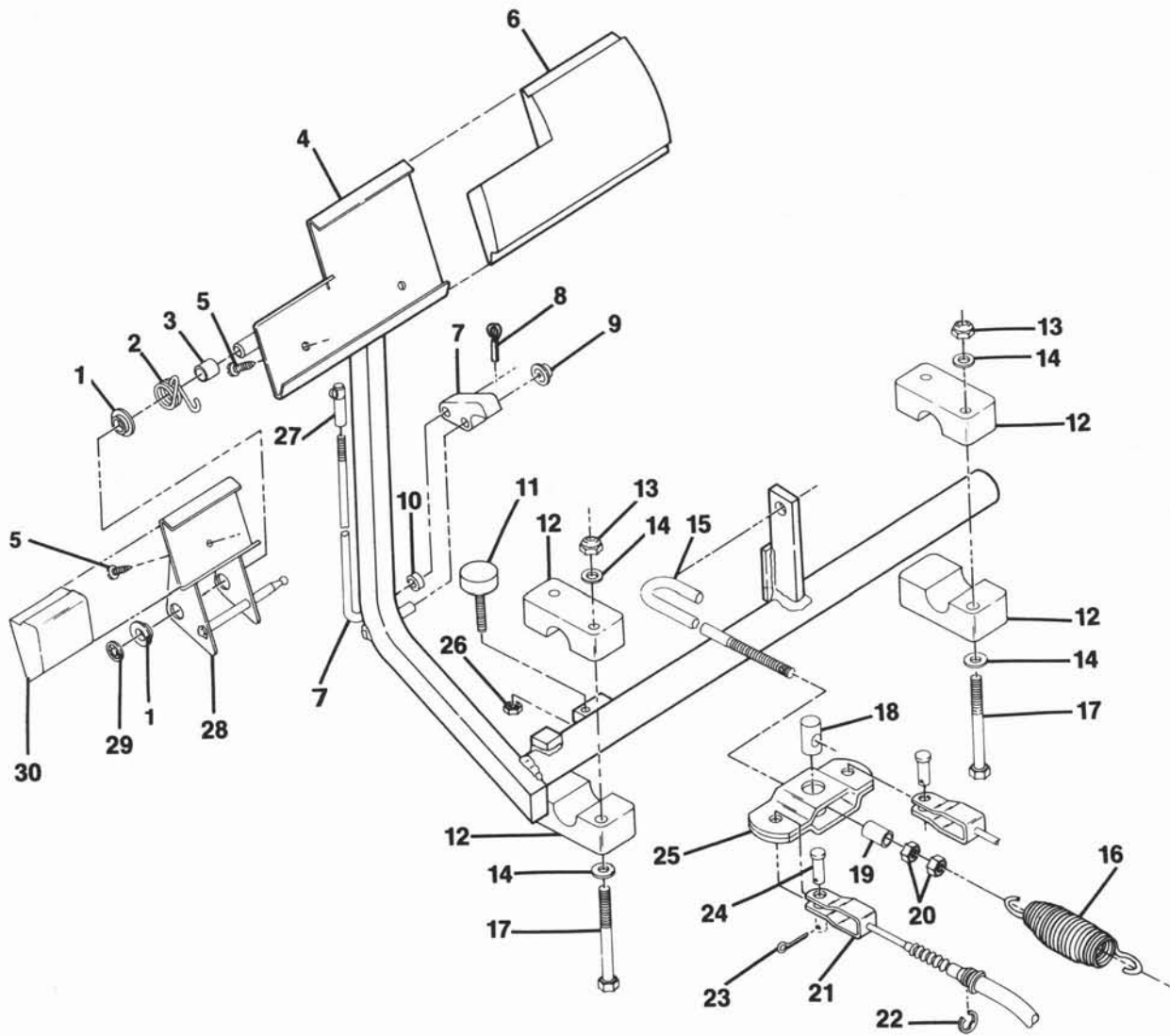
BRAKE CLUSTER, RIGHT HAND AND LEFT HAND

| ITEM NUMBER | PART NUMBER | 1 2 3 4 | DESCRIPTION | UNITS PER VEHICLE |
|----------------|----------------|---------|--|-------------------------|
| | 1011145 | | RIGHT CLUSTER W/O BRAKE DRUM INCLUDES ITEMS 4 THRU 14 | 1 |
| | 1011146 | | LEFT CLUSTER W/O BRAKE DRUM INCLUDES ITEMS 4 THRU 14 | 1 |
| 1 | 1013924 | | LOCKNUT, 5/16-24 GRADE 8 | 8 |
| 2 | 1014153 | | BOLT, BRAKE CLUSTER MOUNTING | 8 |
| 3 | 1011137 | | DRUM, BRAKE | 2 |
| 4 | 1011494 | | PLATE BACKING, LEFT HAND | 1 |
| 4 | 1011154 | | PLATE BACKING, RIGHT HAND | 1 |
| 5 | 1011465 | | BRAKE ACTUATOR KIT | 1 |
| 6 | 1011467 | | ANCHOR BODY KIT | 1 |
| 7 | 1011463 | | BRAKE SHOE PACKAGE (4 PIECES) | 1 |
| 8 | 1011466 | | SHOE RETAINER KIT | 1 |
| 9 | 1011464 | | BRAKE SPRING PACKAGE (4 PIECES) | 1 |
| 10 | NO # | | ARM, BRAKE LEVER (SEE ITEM 5) | 2 |
| 11 | 1010829 | | PIN, 5/16 CLEVIS | 2 |
| 12 | 1035 | | PIN, COTTER, 3/32 X 1" | 2 |
| 13 | 1010850 | | COVER, DUST | 2 |
| 14 | 1011303 | | CAP, ADJUSTMENT BOLT | 2 |
| 15 | 1013207 | | BRAKE CABLE HANGER | 2 |

G

E

3



BRAKE PEDAL AND CABLE ASSEMBLY

BRAKE PEDAL AND CABLE ASSEMBLY

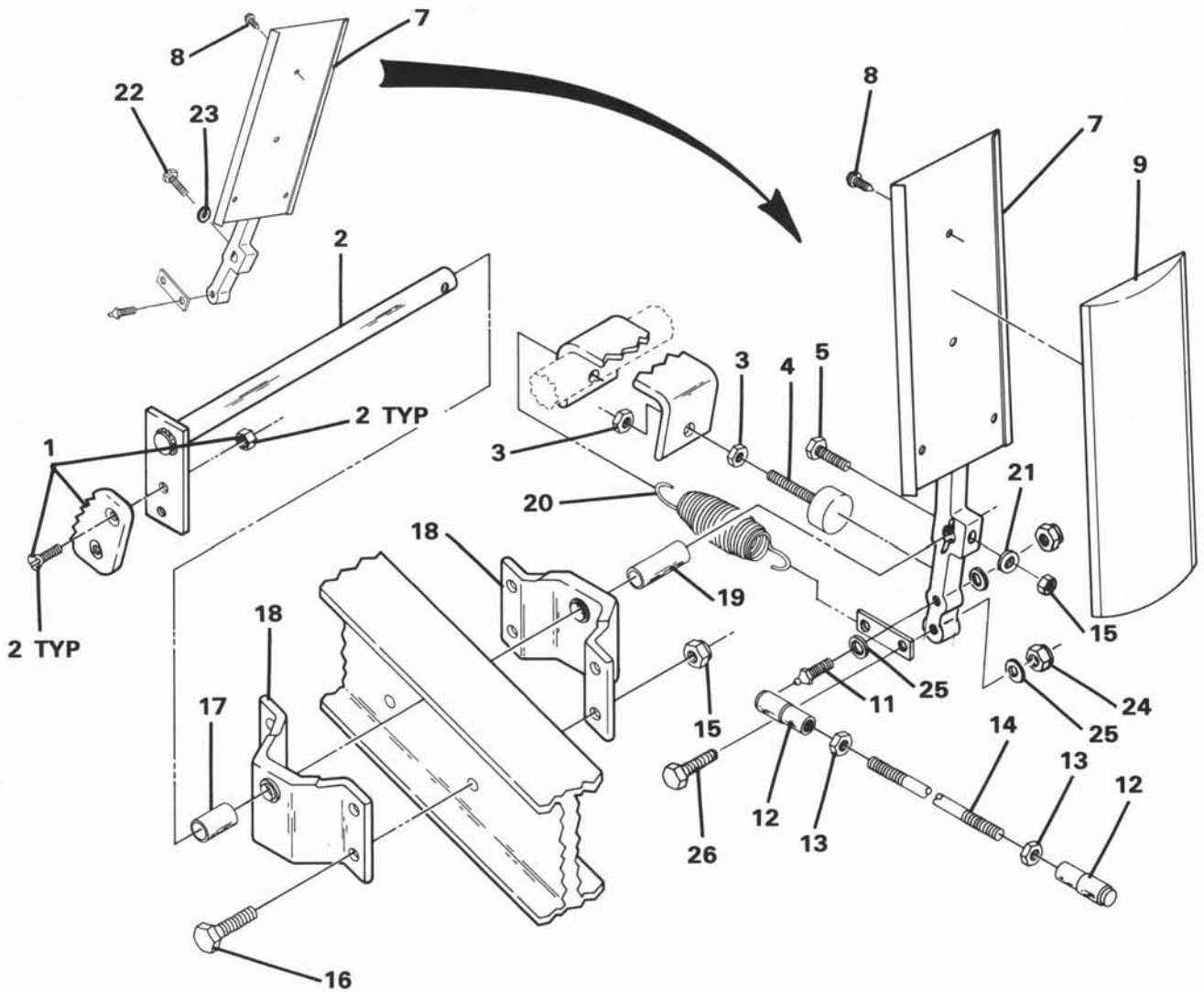
| ITEM NUMBER | PART NUMBER | 1 2 3 4 | DESCRIPTION | UNITS PER VEHICLE |
|----------------|----------------|---------|--|-------------------------|
| 1 | 1032 | | NYLON BUSHING | 2 |
| 2 | 1010933 | | HILL SPRAKE TENSION SPRING | 1 |
| 3 | 1010927 | | HILL BRAKE SPACER | 1 |
| 4 | 1011406 | | BRAKE PEDAL KIT INCLUDES ITEMS 5 & 6 | 1 |
| 5 | 7716 | | SCREW, NO. 10-16 SHEET METAL | 6 |
| 6 | 1013869 | | BRAKE PEDAL PAD | 1 |
| 7 | 1016173 | | HILL BRAKE ROD AND PAWL KIT INCLUDES ITEM 7, 8, 9, AND 10 | 1 |
| 8 | 1017029 | | PIN - COTTER, 7/64 X 1/2, 302 STAINLESS STEEL | 1 |
| 9 | 1010877 | | PUSH NUT, 5/16 | 1 |
| 10 | 1010805 | | HILL BRAKE ROD SLEEVE | 1 |
| 11 | 1010878 | | BRAKE STOP | 1 |
| 12 | 1011402 | | BRAKE MOUNTING BLOCK PACKAGE | 1 |
| 13 | 7473 | | NUT, 5/16-18 NYLON LOCK | 4 |
| 14 | 1241 | | WASHER, 5/16 FLAT | 8 |
| 15 | 1010808 | | EQUALIZER ROD | 1 |
| 16 | 1013532 | | SPRING, BRAKE RETURN - GASOLINE VEHICLE | 1 |
| 16 | 1013531 | | SPRING, BRAKE RETURN - ELECTRICAL VEHICLE | 1 |
| 17 | 1010921 | | HEX HEAD CAP SCREW, 5/16-18 | 4 |
| 18 | NO # | | PIN, EQUALIZER PIVOT | 1 |
| 19 | 1013855 | | SPACER EQUALIZER | 1 |
| 20 | 1242 | | NUT, 5/16-18 HEX | 2 |
| 21 | 1011403 | | BRAKE CABLE KIT INCLUDES ITEMS 22, 23, AND 24 | 2 |
| 22 | 1011779 | | E-50 1/2 ROTOR CLIP | 4 |
| 23 | 1035 | | PIN, COTTER, 3/32 X 1" | 2 |
| 24 | 1010829 | | PIN, 5/16 CLEVIS | 2 |
| 25 | 1017211 | | EQUALIZER AND PIVOT LIMITER KIT INCLUDES ITEM 18 AND 25 | 1 |
| 26 | 1028 | | NUT, 1/4-20 HEX | 1 |
| 27 | 1010932 | | BALL JOINT, 1/4-28 | 1 |
| 28 | 1011418 | | HILL BRAKE PEDAL KIT INCLUDES ITEMS 1, 5, 28, 29, AND 30 | 1 |
| 29 | 1013876 | | NUT, 3/8 PUSH | 1 |
| 30 | 1013870 | | PAD, HILL BRAKE | 1 |

G

E

3

ELECTRIC VEHICLE ONLY



ACCELERATOR PEDAL ASSEMBLY

ACCELERATOR PEDAL ASSEMBLY

| ITEM NUMBER | PART NUMBER | 1 2 3 4 | DESCRIPTION | UNITS PER VEHICLE |
|----------------|----------------|---------|--|-------------------------|
| 1 | 1011877 | | LATCH, HILL BRAKE KIT | 1 |
| 2 | 1016166 | | ROD, ACCELERATOR PIVOT (GASOLINE VEHICLE) SUB ASSEMBLY | 1 |
| 2 | 1016116 | | ROD, ACCELERATOR PIVOT (ELECTRIC VEHICLE) WELD ASSEMBLY | 1 |
| 3 | 1028 | | NUT, 1/4-20 HEX | 2 |
| 4 | 1010878 | | STOP, BRAKE | 1 |
| 5 | 1016619 | | HEX HEAD CAP SCREW, 1/4-20 | 1 |
| 6 | 1014007 | | FLATWASHER, 1/4 DIAMETER | 1 |
| 7 | 1016377-01 | | ACCELERATOR PEDAL ASSEMBLY (GASOLINE VEHICLE) INCLUDES ITEMS 8, 9, 10, 11, 24, 25, AND 26 | 1 |
| 7 | 1010969 | | ACCELERATOR PEDAL ASSEMBLY (ELECTRIC VEHICLE) INCLUDES ITEMS 8, 9, 10, AND 11 | 1 |
| 8 | 7716 | | SHEET METAL SCREW, #10-16 | 4 |
| 9 | 1013871 | | PAD, ACCELERATOR | 1 |
| 10 | 1011691 | | HANGER, ACCELERATOR PEDAL SPRING | 1 |
| 11 | 1016157 | | BALL STUD, 1/4-28 X 1.00 (GASOLINE VEHICLE) | 1 |
| 11 | 1010954 | | BALL STUD, 1/4-28 (ELECTRIC VEHICLE) | 1 |
| 12 | 1011734 | | BALL JOINT, 1/4-28 SPRING LOADED | 2 |
| 13 | 1011084 | | HEX JAM NUT, 1/4-28 | 2 |
| 14 | 1014085 | | ROD, ACCELERATOR (ELECTRIC VEHICLE) INCLUDES ITEMS 12 AND 13 | 1 |
| 14 | 1016168 | | ROD, ACCELERATOR (GASOLINE VEHICLE) INCLUDES ITEMS 12 AND 13 | 1 |
| 15 | 8233 | | NYLON LOCKNUT INSERT, 1/4-20 | 5 |
| 16 | 7479 | | HEX HEAD CAP SCREW, 1/4-20 X 1-1/4" | 4 |
| 17 | 1011699 | | SPACER, 1/2 | 1 |
| 18 | 1011694 | | BRACKET, ACCELERATOR BEARING | 2 |
| 19 | 1011700 | | SPACER, ACCELERATOR | 1 |
| 20 | 1012075 | | SPRING EXTENSION | 1 |
| 21 | 332 | | FLATWASHER, 1/4 DIAMETER | 1 |
| 22 | 403 | | HEX HEAD CAP SCREW, 1/4-20 X 5/8" (ELECTRIC VEHICLE ONLY) | 1 |
| 23 | 8304 | | WASHER, 1/4 DIAMETER INTERNAL TOOTH LOCK (ELECTRIC VEHICLE ONLY) | 1 |
| 24 | 8717 | | NYLON HEX NUT, 1/4-28 (GASOLINE VEHICLE) | 2 |
| 25 | 1014007 | | FLATWASHER, 1/4 DIAMETER (GASOLINE VEHICLE) | 3 |
| 26 | 7510 | | HEX HEAD CAP SCREW, 1/4-28 X 1-1/4" (GASOLINE VEHICLE) | 1 |

G

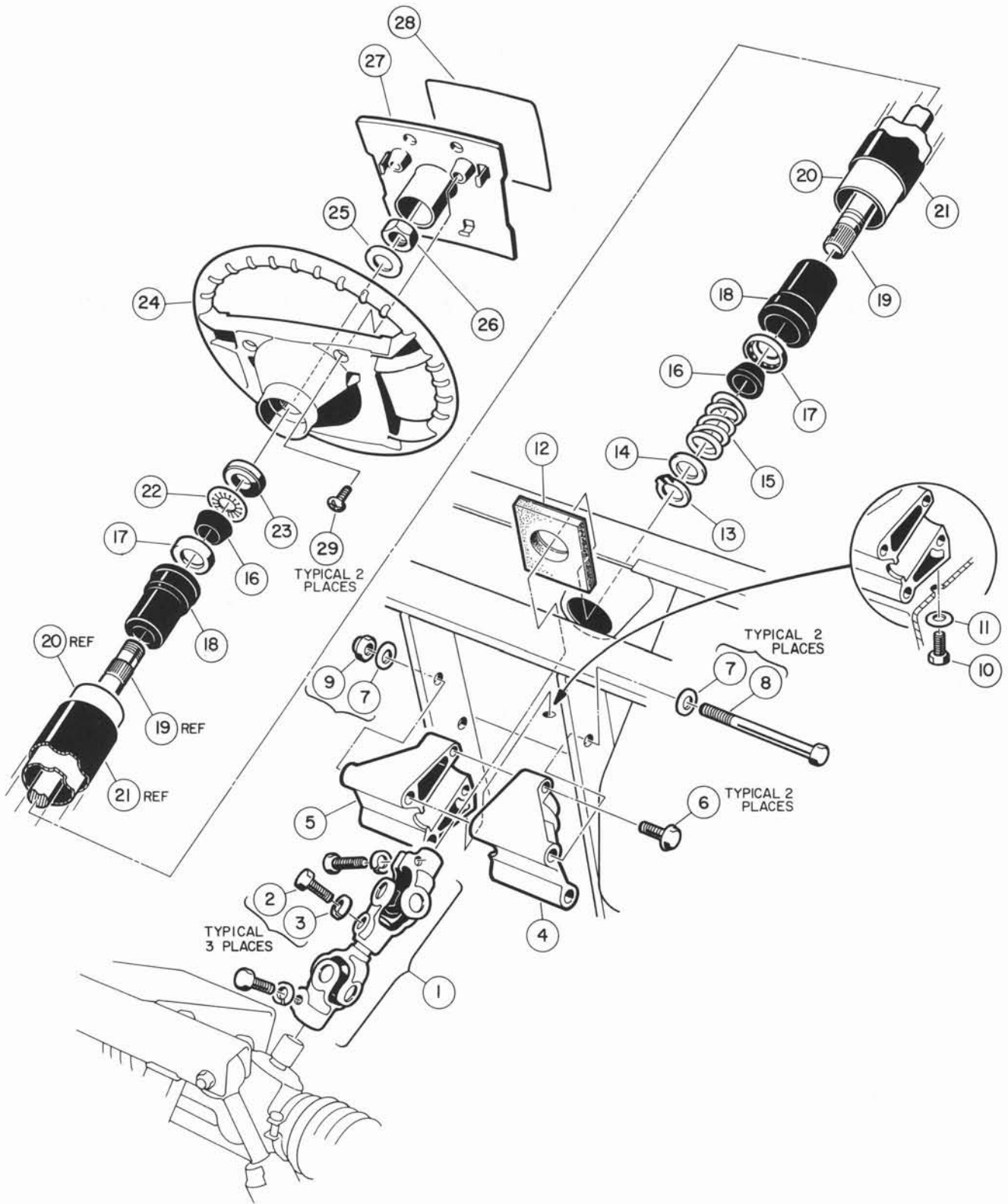
E

3



Section 4

STEERING AND FRONT SUSPENSION



STEERING COLUMN - ALUMINUM

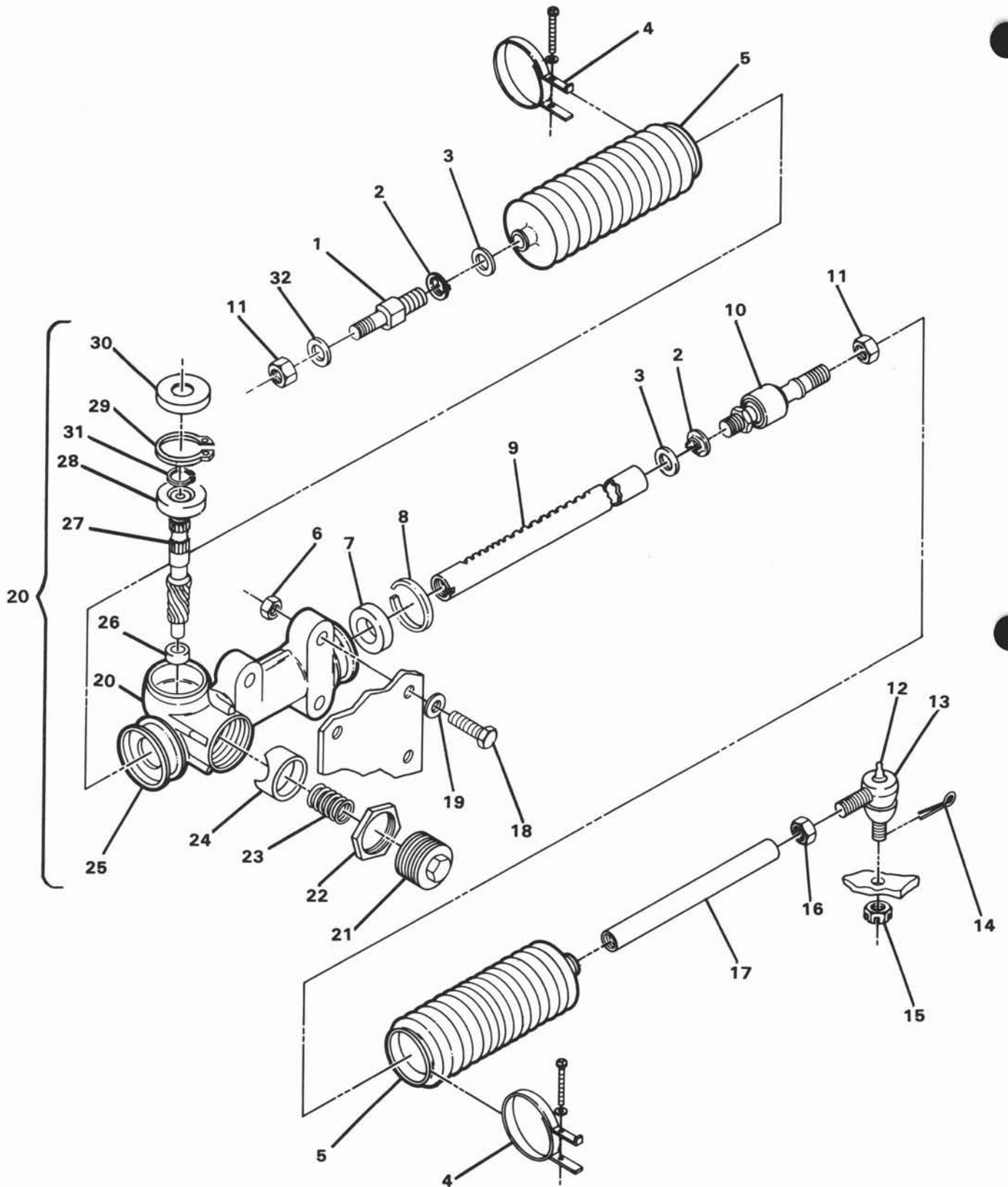
STEERING COLUMN - ALUMINUM

| ITEM NUMBER | PART NUMBER | 1 2 3 4 | | | | DESCRIPTION | UNITS PER VEHICLE |
|----------------|----------------|---------|--|--|--|---|-------------------------|
| | | | | | | | |
| 1 | 1013861 | | | | | COMPOUND STEERING JOINT INCLUDES ITEMS 2 AND 3 | 1 |
| 2 | 1017226 | | | | | HEX HEAD CAP SCREW, 8MM X 1.25-30 | 3 |
| 3 | 7174 | | | | | LOCKWASHER, 5/16 DIAMETER | |
| 4 | 1016185 | | | | | STEERING COLUMN MOUNT, LEFT HAND | 1 |
| 5 | 1016184 | | | | | STEERING COLUMN MOUNT, RIGHT HAND | 1 |
| 6 | 1016269 | | | | | HEX WASH HEAD THREAD FORMING SCREW, 5/16-18 X 2" | 2 |
| 7 | 334 | | | | | FLATWASHER, 3/8 DIAMETER | 4 |
| 8 | 1016183 | | | | | HEX HEAD CAP SCREW, 3/8-16 X 6-1/2" | 2 |
| 9 | 8754 | | | | | NYLON LOCKNUT INSERT, 3/8-16 | 2 |
| 10 | 1014288 | | | | | HEX WASH HEAD MACHINE SCREW, 5/16-18 X 3/4" | 2 |
| 11 | 1011697 | | | | | FLATWASHER, 5/16 DIAMETER | 1 |
| 12 | 1012499 | | | | | STEERING COLUMN BOOT | 1 |
| 13 | 1012605 | | | | | RETAINING RING | 1 |
| 14 | 1012604 | | | | | STEEL WASHER, 5/8 DIAMETER | 1 |
| 15 | 1014217 | | | | | COMPRESSION SPRING | 1 |
| 16 | 1014125 | | | | | WEDGE | 2 |
| 17 | 1014213 | | | | | BEARING ASSEMBLY | 2 |
| 18 | 1014126 | | | | | BEARING SEAT | 2 |
| 19 | 1015545 | | | | | STEERING COLUMN SHAFT | 1 |
| 20 | 1016622 | | | | | ALUMINUM STEERING COLUMN | 1 |
| 21 | 1016263 | | | | | BEARING TUBE COVER | 1 |
| 22 | 1014214 | | | | | RETAINING RING | 1 |
| 23 | 1014211 | | | | | BEARING SEAL | 1 |
| 24 | 1016156 | | | | | STEERING WHEEL | 1 |
| 25 | 1012604 | | | | | STEEL WASHER, 5/8 DIAMETER | 1 |
| 26 | 1017273 | | | | | NYLON JAM NUT, 5/16-18 | 1 |
| 27 | 1016219 | | | | | SCORECARD PLATE ASSEMBLY INCLUDES ITEMS 30 THRU 34 | 1 |
| 28 | 1016216 | | | | | OPERATING INSTRUCTIONS DECAL | 1 |
| 29 | 1010715 | | | | | PHILLIPS SCREW, #10-14 X 3/8" | 2 |
| 30 | 1012565 | | | | | ROUND HEAD SCREW, #12 (NOT SHOWN) | 2 |
| 31 | 1012566 | | | | | TAPERED COMPRESSION SPRING (NOT SHOWN) | 2 |
| 32 | 1016214 | | | | | PENCIL GRIP (NOT SHOWN) | 1 |
| 33 | 1016154 | | | | | SCORE CARD CLIP (NOT SHOWN) | 1 |
| 34 | 1016181 | | | | | STEERING COLUMN ASSEMBLY INCLUDES ITEMS 13 THRU 20, 22, AND 23 | |

G

E

4



STEERING ASSEMBLY

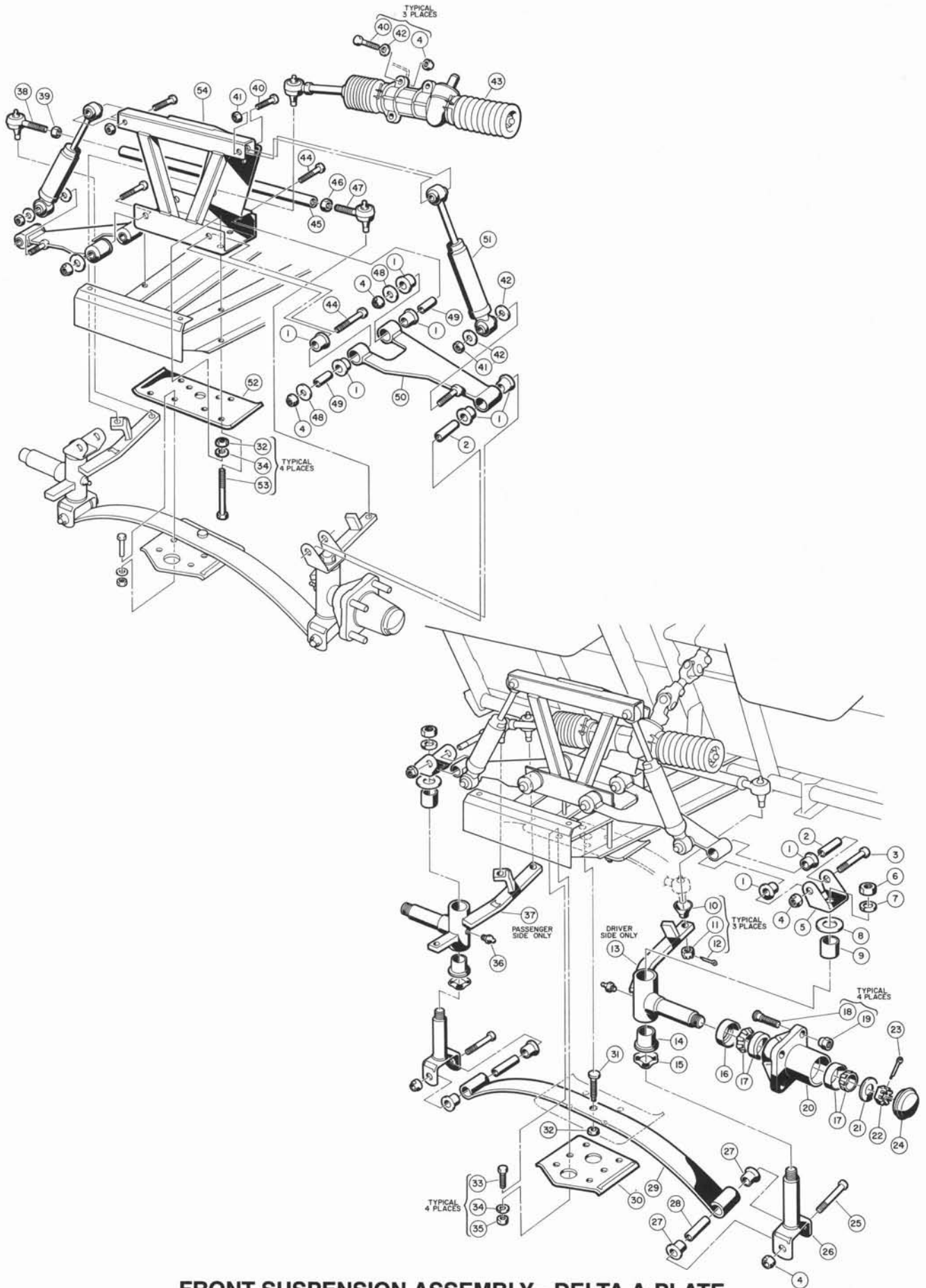
STEERING ASSEMBLY

| ITEM NUMBER | PART NUMBER | 1 2 3 4 | | | | DESCRIPTION | UNITS PER VEHICLE |
|----------------|----------------|---------|---|---|---|--|-------------------------|
| | | 1 | 2 | 3 | 4 | | |
| 1 | 1013053 | | | | | BOLT, STOPPER, 12MM | 1 |
| 2 | 1013040 | | | | | LOCKWASHER, TIE ROD | 2 |
| 3 | 1013039 | | | | | WASHER, TIE ROD STOPPER | 2 |
| 4 | 1013034 | | | | | BAND, BELLOWS | 2 |
| 5 | 1013035 | | | | | SEAL, DUST | 2 |
| 6 | 1010138 | | | | | DIMPLED LOCKNUT, 3/8-16 | 3 |
| 7 | 1013036 | | | | | BUSHING, RACK | 1 |
| 8 | 1013037 | | | | | RING, SNAP | 1 |
| 9 | NO # | | | | | RACK, STEERING (SEE ITEM 20) | 1 |
| 10 | 1013041 | | | | | END, RACK | 1 |
| 11 | 1013042 | | | | | HEX NUT, 12MM | 2 |
| 12 | 1015597 | | | | | THREADED FORM GREASE FITTING, 1/4-28 | 1 |
| 13 | 7540 | | | | | SOCKET, VERTICAL, LEFT HAND INCLUDES ITEMS 12 AND 15 | 1 |
| 14 | 1035 | | | | | PIN, COTTER, 3/32 X 1" | 1 |
| 15 | 7602 | | | | | HEX NUT, SLOTTED, 3/8-24 | 1 |
| 16 | 7555 | | | | | HEX NUT, 1/2-20 | 1 |
| 17 | 1012467 | | | | | RACK AND PINION DRAG LINK | 1 |
| 18 | 1624 | | | | | HEX HEAD CAP SCREW, 3/8-16 X 1-1/2" | 3 |
| 19 | 334 | | | | | FLATWASHER, 3/8 DIAMETER | 3 |
| 20 | 1012452 | | | | | STEERING GEAR BOX ASSEMBLY INCLUDES ITEMS 1 THRU 5, 7 THRU 11, AND 21 THRU 30 | 1 |
| 21 | NO # | | | | | SCREW, RACK GUIDE (SEE ITEM 20) | 1 |
| 22 | 1013044 | | | | | LOCKNUT, RACK SCREW | 1 |
| 23 | 1013045 | | | | | SPRING, RACK GUIDE PRESSURE | 1 |
| 24 | 1013046 | | | | | GUIDE, STEERING RACK | 1 |
| 25 | 1013047 | | | | | BOX, STEERING GEAR | 1 |
| 26 | 1013048 | | | | | BUSHING, PINION | 1 |
| 27 | NO # | | | | | PINION, STEERING (SEE ITEM 20) | 1 |
| 28 | 1012884 | | | | | BALL BEARING | 1 |
| 29 | 1013051 | | | | | SNAP RING | 1 |
| 30 | 1013052 | | | | | DUST SEAL, STEERING PINION | 1 |
| 31 | 1013031 | | | | | RING-RETAINING, EXTERNAL | 1 |
| 32 | 1013030 | | | | | WASHER, END | 1 |
| 33 | 1011930 | | | | | DUST SEAL | 1 |

G

E

4



FRONT SUSPENSION ASSEMBLY - DELTA A-PLATE

FRONT SUSPENSION ASSEMBLY - DELTA A-PLATE

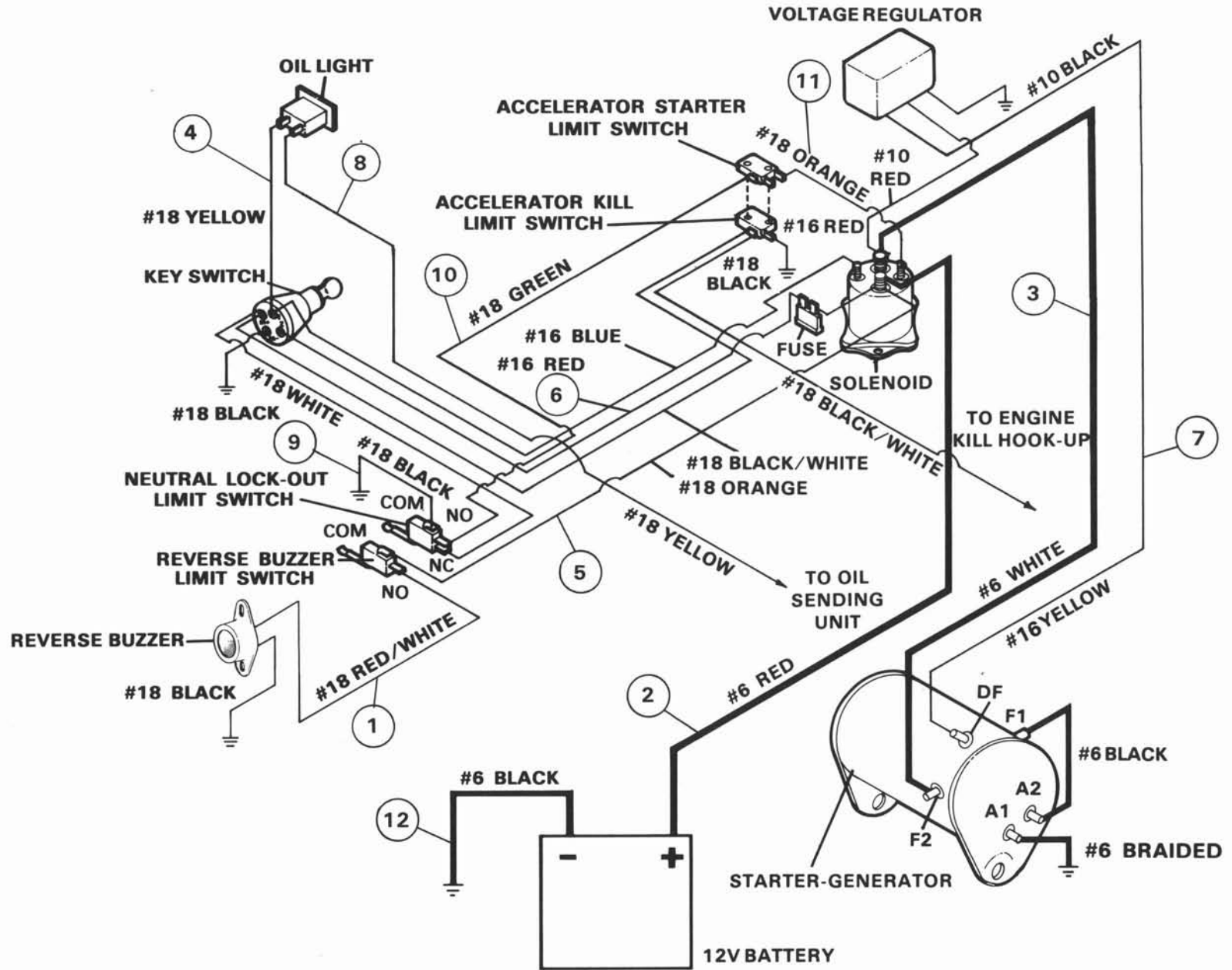
| ITEM NUMBER | PART NUMBER | DESCRIPTION | | | | UNITS PER VEHICLE |
|-------------|-------------|---|---|---|---|-------------------|
| | | 1 | 2 | 3 | 4 | |
| 1 | 1016346 | URETHANE BUSHING | | | | 12 |
| 2 | 1016350 | DELTA OUTER SLEEVE | | | | 2 |
| 3 | 1016387 | HEX HEAD CAP SCREW, 3/8-16 X 2-3/4" | | | | 2 |
| 4 | 8754 | NYLON LOCKNUT INSERT, 3/8-16 | | | | 11 |
| 5 | 1016384 | UPPER DELTA CLEVIS | | | | 2 |
| 6 | 1308 | HEX NUT, 1/2-20 | | | | 2 |
| 7 | 209 | SPLIT LOCKWASHER, 1/2 DIAMETER | | | | 2 |
| 8 | 1010150 | THRUST BEARING | | | | 2 |
| 9 | 8067 | BRONZE SPINDLE BUSHING | | | | 2 |
| 10 | 1011930 | DUST SEAL | | | | 3 |
| 11 | 7602 | HEX NUT, SLOTTED, 3/8-24 | | | | 3 |
| 12 | 1035 | COTTER PIN, 3/32 DIAMETER X 1" | | | | 3 |
| 13 | 1010348 | SPINDLE ASSEMBLY, LEFT INCLUDES ITEMS 9, 14, AND 36 | | | | 1 |
| 14 | 7048 | BRONZE BUSHING | | | | 2 |
| 15 | 1016389 | KINGPIN WAVE WASHER | | | | 2 |
| 16 | 1013135 | DOUBLE LIP SEAL | | | | 2 |
| 17 | 1011393 | HUB BEARING PACKAGE | | | | 4 |
| 18 | 1011304 | LUG STUD 50-20 | | | | 8 |
| 19 | 1011390 | LUG NUT PACKAGE (8 PIECES) | | | | 2 |
| 20 | 1011892 | HUB ASSEMBLY INCLUDES ITEMS 17, 18 AND 20 | | | | 2 |
| 21 | 1010005 | FLATWASHER, 3/4 DIAMETER | | | | 2 |
| 22 | 7840 | HEX NUT, SLOTTED, 3/4-16 | | | | 2 |
| 23 | 7910 | COTTER PIN, 5/32 X 1" | | | | 2 |
| 24 | 1011887 | DUST COVER | | | | 2 |
| 25 | 8755 | HEX HEAD CAP SCREW, 3/8-16 X 3-3/8" | | | | 2 |
| 26 | 1016386 | KINGPIN ASSEMBLY | | | | 2 |
| 27 | 1015583 | URETHANE BUSHING | | | | 4 |
| 28 | 1012303 | STEEL BUSHING | | | | 2 |
| 29 | 1015828 | TAPERED LEAF SPRING ASSEMBLY (GASOLINE VEHICLE) INCLUDES ITEMS 29, 31 AND 32 | | | | 1 |
| 29 | 1013867 | TAPERED LEAF SPRING ASSEMBLY (ELECTRIC VEHICLE) INCLUDES ITEMS 29, 31 AND 32 | | | | 1 |
| 30 | 1014276 | FRONT SPRING RETAINER PLATE | | | | 1 |
| 31 | 8745 | ECCENTRIC ASSEMBLY | | | | 1 |
| 32 | 706 | HEX NUT, 3/8-16 | | | | 5 |
| 33 | 1624 | HEX HEAD CAP SCREW, 3/8-16 X 1-1/2" | | | | 4 |
| 34 | 357 | LOCKWASHER, 3/8 DIAMETER | | | | 8 |
| 35 | 706 | HEX NUT, 3/8-16 | | | | 4 |
| 36 | 1015597 | GREASE FITTING | | | | 2 |
| 37 | 1010347 | SPINDLE ASSEMBLY, RIGHT INCLUDES ITEMS 9, 14, AND 36 | | | | 1 |
| 38 | 7539 | BALL JOINT, RIGHT HAND | | | | 1 |
| 39 | 1308 | HEX NUT, 1/2-20, RIGHT | | | | 1 |
| 40 | 1624 | HEX HEAD CAP SCREW, 3/8-16 X 1-1/2" | | | | 5 |
| 41 | 1010138 | DIMPLED LOCKNUT, 3/8-16 | | | | 4 |
| 42 | 1011990 | FLATWASHER, 3/8 DIAMETER | | | | 7 |
| 43 | 1012452 | GEAR AND SOCKET ASSEMBLY (SEE PAGE 4-5 FOR DETAILS) | | | | 1 |
| 44 | 2402 | HEX HEAD CAP SCREW, 3/8-16 X 2-1/4" | | | | 4 |
| 45 | 1010219 | TIE ROD | | | | 1 |
| 46 | 7555 | HEX NUT, 1/2-20, LEFT | | | | 1 |
| 47 | 7540 | BALL JOINT, LEFT HAND | | | | 1 |
| 48 | 808 | FLATWASHER, 3/8 DIAMETER | | | | 4 |
| 49 | 1016349 | DELTA INNER SLEEVE | | | | 4 |
| 50 | 1016353 | DELTA A-PLATE ASSEMBLY INCLUDES ITEMS 1, 2, AND 49 | | | | 2 |
| 51 | 1015813 | FRONT SHOCK ABSORBER (GASOLINE VEHICLE) | | | | 2 |
| 51 | 1014235 | FRONT SHOCK ABSORBER (ELECTRIC VEHICLE) | | | | 2 |
| 52 | 1010124 | SPRING MOUNTING PLATE | | | | 1 |
| 53 | 1010200 | HEX HEAD CAP SCREW, 3/8-16 X 4-1/4" | | | | 4 |
| 54 | 1016385 | DELTA SHOCK AND GEAR SUPPORT ASSEMBLY | | | | 1 |



Section 5

ELECTRICAL AND BATTERY

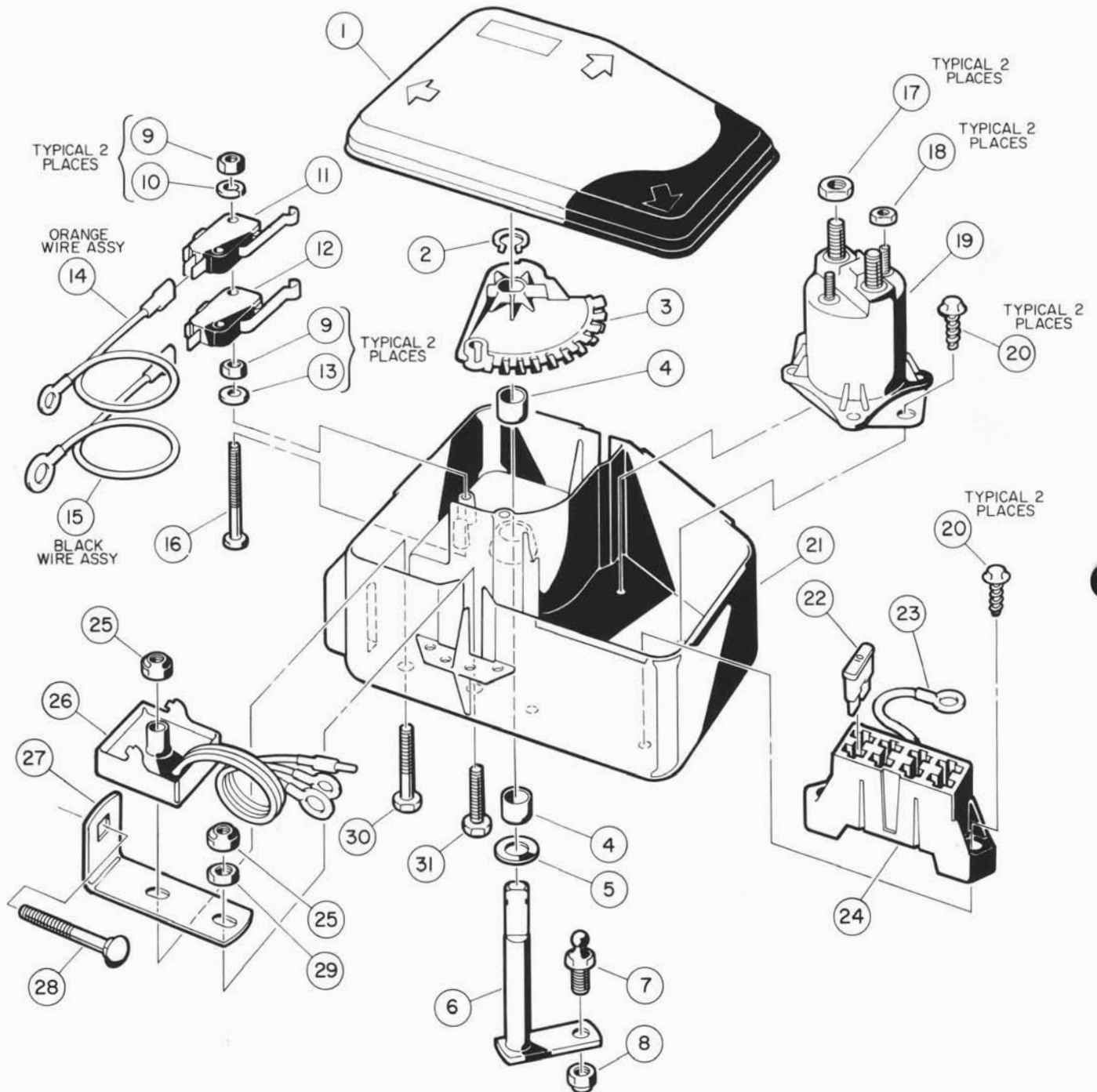
WIRING - GASOLINE VEHICLE



WIRING - GASOLINE VEHICLE

| ITEM NUMBER | PART NUMBER | DESCRIPTION | UNITS PER VEHICLE |
|-------------|-------------|------------------------------|-------------------|
| | | 1 2 3 4 | |
| | 1015735 | WIRE HARNESS ASSEMBLY | 1 |
| 1 | 1013723 | WIRE ASSEMBLY, #18 RED/WHITE | 1 |
| 2 | 1014119 | WIRE ASSEMBLY, #6 RED | 1 |
| 3 | 1015769 | WIRE ASSEMBLY, #6 WHITE | 1 |
| 4 | 1013601 | WIRE ASSEMBLY, #18 YELLOW | 1 |
| 5 | 1015831 | WIRE ASSEMBLY, #18 ORANGE | 1 |
| 6 | 1015736 | WIRE ASSEMBLY, #16 RED | 1 |
| 7 | 1015738 | WIRE ASSEMBLY, #16 YELLOW | 1 |
| 8 | 1015740 | WIRE ASSEMBLY, #18 YELLOW | 1 |
| 9 | 1015780 | WIRE ASSEMBLY, #18 BLACK | 1 |
| 10 | 1015779 | WIRE ASSEMBLY, #18 GREEN | 1 |
| 11 | 1015767 | WIRE ASSEMBLY, #18 ORANGE | 1 |
| 12 | 1012382 | WIRE ASSEMBLY, #6 BLACK | 1 |

**NOTE: ITEM #33 BOX COVER
MOUNTING SCREW NOT SHOWN**



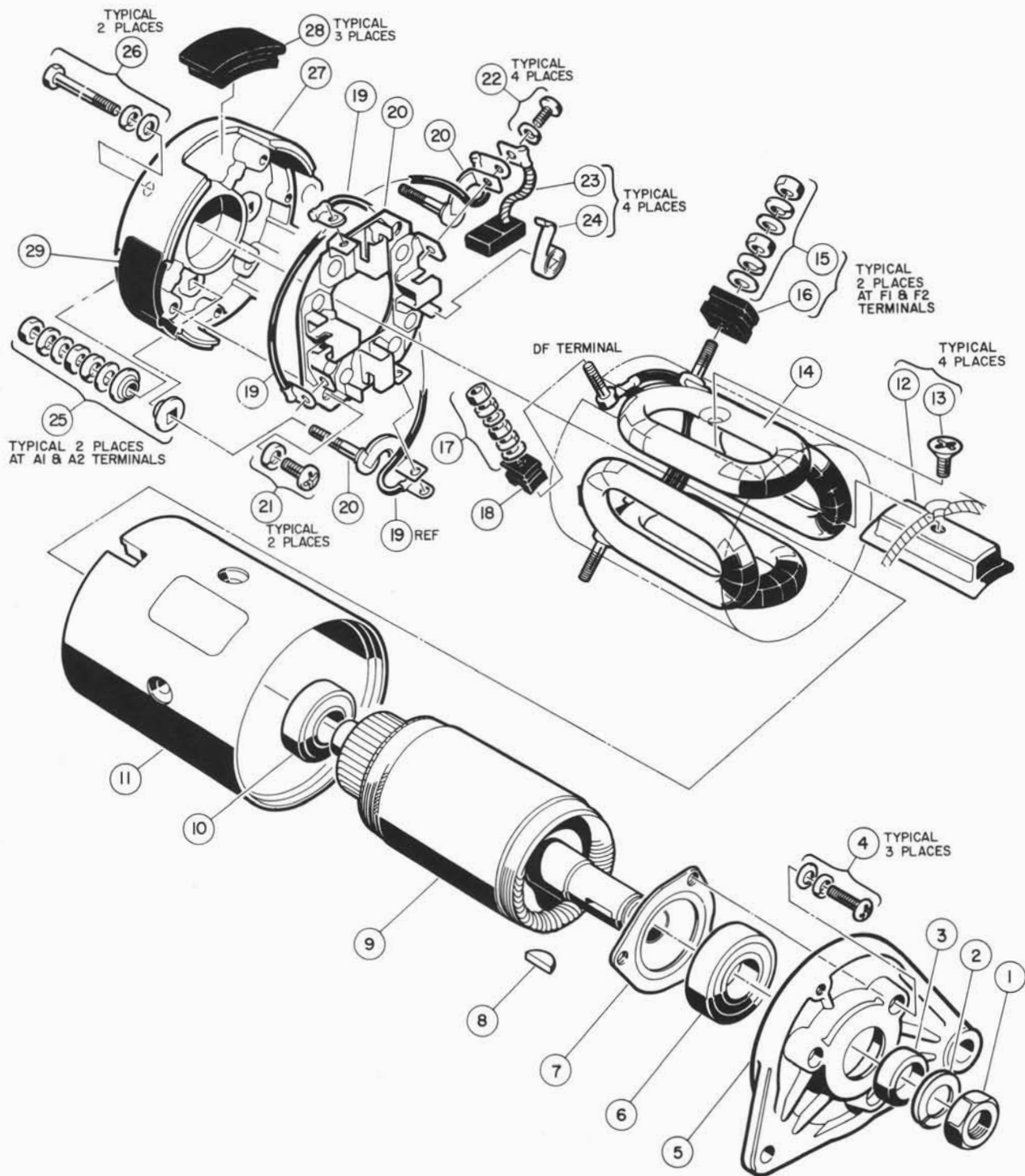
ELECTRICAL COMPONENT BOX

ELECTRICAL COMPONENT BOX

G

| ITEM NUMBER | PART NUMBER | 1 | 2 | 3 | 4 | DESCRIPTION | UNITS PER VEHICLE |
|-------------|-------------|---|---|---|---|--|-------------------|
| 1 | 1015372 | | | | | ELECTRICAL COMPONENT BOX COVER | 1 |
| 2 | 1013589 | | | | | RETAINING RING | 1 |
| 3 | 1015373 | | | | | ELECTRICAL BOX CAM | 1 |
| 4 | 1014145 | | | | | BUSHING SECONDARY WEIGHT | 2 |
| 5 | 1014065 | | | | | FLATWASHER (DERLIN) | 1 |
| 6 | 1015345 | | | | | BELL CRANK SHAFT ASSEMBLY | 1 |
| 7 | 1010954 | | | | | BALL STUD, 1/4-28 | 1 |
| 8 | 8717 | | | | | NYLON LOCK NUT, 1/4-28 | 1 |
| 9 | 8057 | | | | | UNC HEX NUT, #4-40 | 4 |
| 10 | 8058 | | | | | LOCKWASHER #4 | 2 |
| 11 | 1014807 | | | | | LIMIT SWITCH | 1 |
| 12 | 1014808 | | | | | LIMIT SWITCH | 1 |
| 13 | 1012431 | | | | | FLATWASHER #4 | 2 |
| 14 | 1015767 | | | | | WIRE ASSEMBLY | 1 |
| 15 | 1015766 | | | | | WIRE ASSEMBLY | 1 |
| 16 | 1015878 | | | | | HEX HEAD MACHINE SCREW, #4-40 X 1-5/8" | 2 |
| 17 | 1242 | | | | | UNC HEX NUT, 5/16-18 | 2 |
| 18 | 7893 | | | | | UNF HEX NUT, #10-32 | 2 |
| 19 | 1013609 | | | | | 12 VOLT SOLENOID | 1 |
| 20 | 1015752 | | | | | HILO SCREW, #12-16 X 1/2" | 4 |
| 21 | 1015371 | | | | | ELECTRICAL COMPONENT BOX | 1 |
| 22 | 1012295 | | | | | FUSE 10 AMP | 1 |
| 23 | 1015737 | | | | | WIRE ASSEMBLY | 1 |
| 24 | 1015741 | | | | | FUSE BLOCK | 1 |
| 25 | 8233 | | | | | NYLON LOCKNUT INSERT, 1/4-20 | 2 |
| 26 | 1015777 | | | | | VOLTAGE REGULATOR ASSEMBLY OHV | 1 |
| 27 | 1015343 | | | | | GROUND STRAP | 1 |
| 28 | 1015405 | | | | | ROUND HEAD SQUARE NECK SCREW, 5/16-18 X 2" | 1 |
| 29 | 1015919 | | | | | HEX JAM NUT, 1/4-20 | 1 |
| 30 | 1703 | | | | | HEX HEAD CAP SCREW, 1/4-20 X 1-1/2" | 1 |
| 31 | 304 | | | | | HEX HEAD CAP SCREW, 1/4-20 UNC X 1" | 1 |
| 32 | 8168 | | | | | WIRE TIE WRAP (NOT SHOWN) | 2 |
| 33 | 1015752 | | | | | HEX HEAD CAP SCREW, 1/4-20 X 1-1/2" | 1 |

5



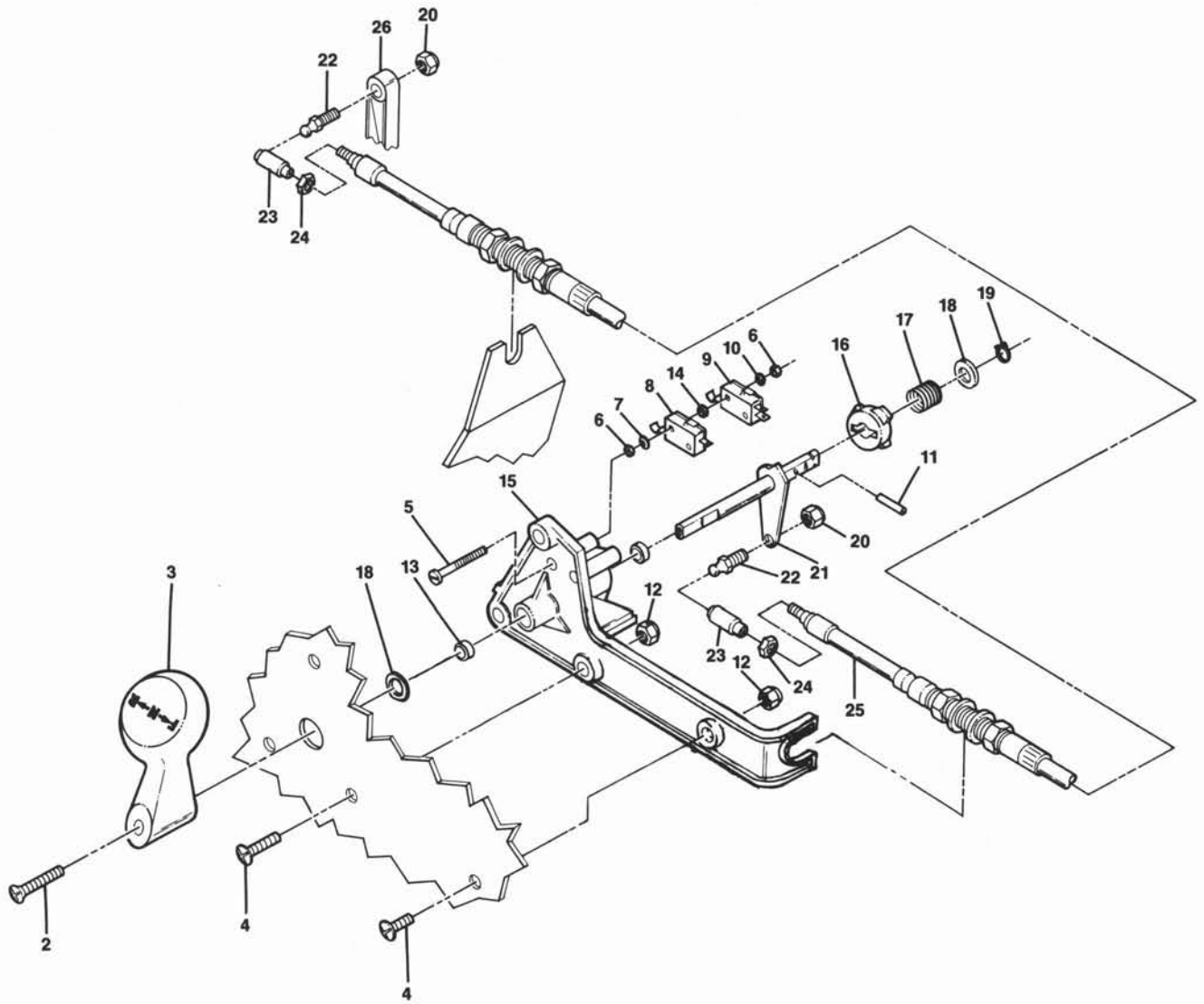
STARTER-GENERATOR ASSEMBLY

STARTER-GENERATOR ASSEMBLY

G

| ITEM NUMBER | PART NUMBER | 1 2 3 4 | DESCRIPTION | UNITS PER VEHICLE |
|-------------|-------------|---------|--|-------------------|
| 1 | NO # | | HEX NUT, M14 X 1.5 | 1 |
| 2 | NO # | | LOCKWASHER, M14 | 1 |
| 3 | 1013000 | | SPACER | 1 |
| 4 | NO # | | CROSS-RECESSED SCREW, M5 X 18 WITH LOCKWASHERS AND FLATWASHERS | 3 |
| 5 | 1012999 | | OUTPUT SHAFT END BELL | 1 |
| 6 | 1013001 | | BALL BEARING OUTPUT SHAFT | 1 |
| 7 | 1013002 | | BEARING RETAINER | 1 |
| 8 | 1013003 | | KEY | 1 |
| 9 | 1013004 | | ARMATURE ASSEMBLY INCLUDES ITEMS 3, 6, 7, 10, AND, ARMATURE | 1 |
| 10 | 1013005 | | BALL BEARING COMMUTATOR | 1 |
| 11 | 1013006 | | FRAME ASSEMBLY INCLUDES ITEMS 12 THRU 18 AND FRAME | 1 |
| 12 | NO # | | POLE PIECE (SEE ITEM 11) | 4 |
| 13 | 1013009 | | POLE PIECE SCREW | 4 |
| 14 | 1013010 | | FIELD COIL ASSEMBLY | 1 |
| 15 | 1013007 | | TERMINAL HARDWARE KIT INCLUDES NUTS, LOCKWASHERS, AND FLATWASHERS | 2 |
| 16 | NO # | | INSULATOR (SEE ITEM 11) | 2 |
| 17 | 1013017 | | TERMINAL HARDWARE KIT INCLUDES NUTS, LOCKWASHERS, AND FLATWASHERS | 1 |
| 18 | NO # | | INSULATOR (SEE ITEM 11) | |
| 19 | 1013013 | | CROSSOVER LEAD | 2 |
| 20 | 1013011 | | BRUSH HOLDER | 1 |
| 251 | NO # | | SCREW, M5 X 16 WITH LOCKWASHER | 2 |
| 22 | NO # | | SCREW, M4 X 10 WITH LOCKWASHER | 4 |
| 23 | 1014699 | | BRUSH PACKAGE INCLUDES 4 BRUSHES | 1 |
| 24 | 1013016 | | BRUSH SPRING | 4 |
| 25 | 1012990 | | TERMINAL HARDWARE KIT INCLUDES NUTS, LOCKWASHERS, FLATWASHERS, AND INSULATORS | 2 |
| 26 | 1012992 | | CLAMP BOLT, 6 X 180 | 2 |
| 27 | 1012993 | | COMMUTATOR END BELL | 1 |
| 28 | 1012991 | | BRUSH INSPECTION PORT COVER | 3 |
| 29 | 1017653 | | BRUSH INSPECTION PORT COVER WITH DRAIN | 1 |
| | 1013018 | | PULLEY NUT AND SCREW KIT INCLUDES 1, 2, 4, 21, AND 22 | 1 |
| | 1012316 | | STARTER/GENERATOR | |

5



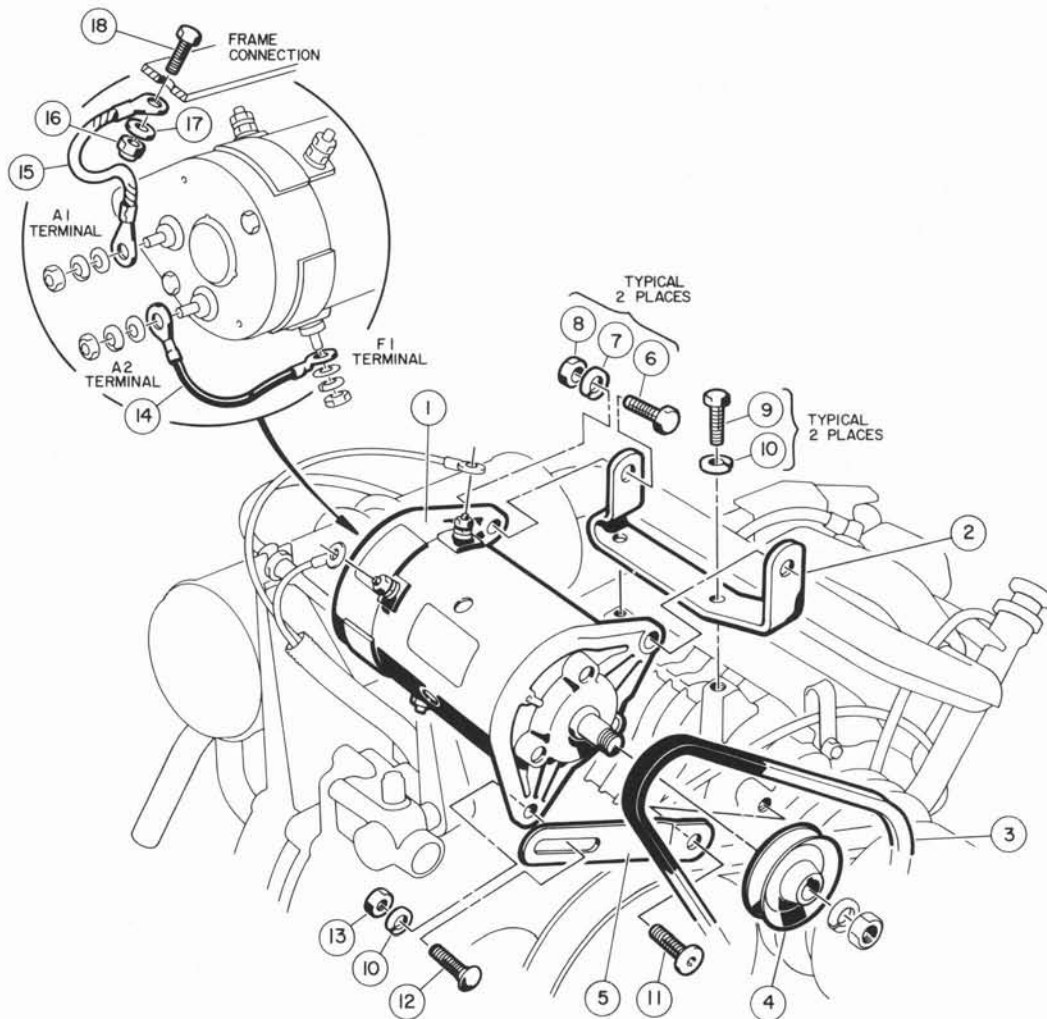
F&R SHIFTER ASSEMBLY

F&R SHIFTER ASSEMBLY

G

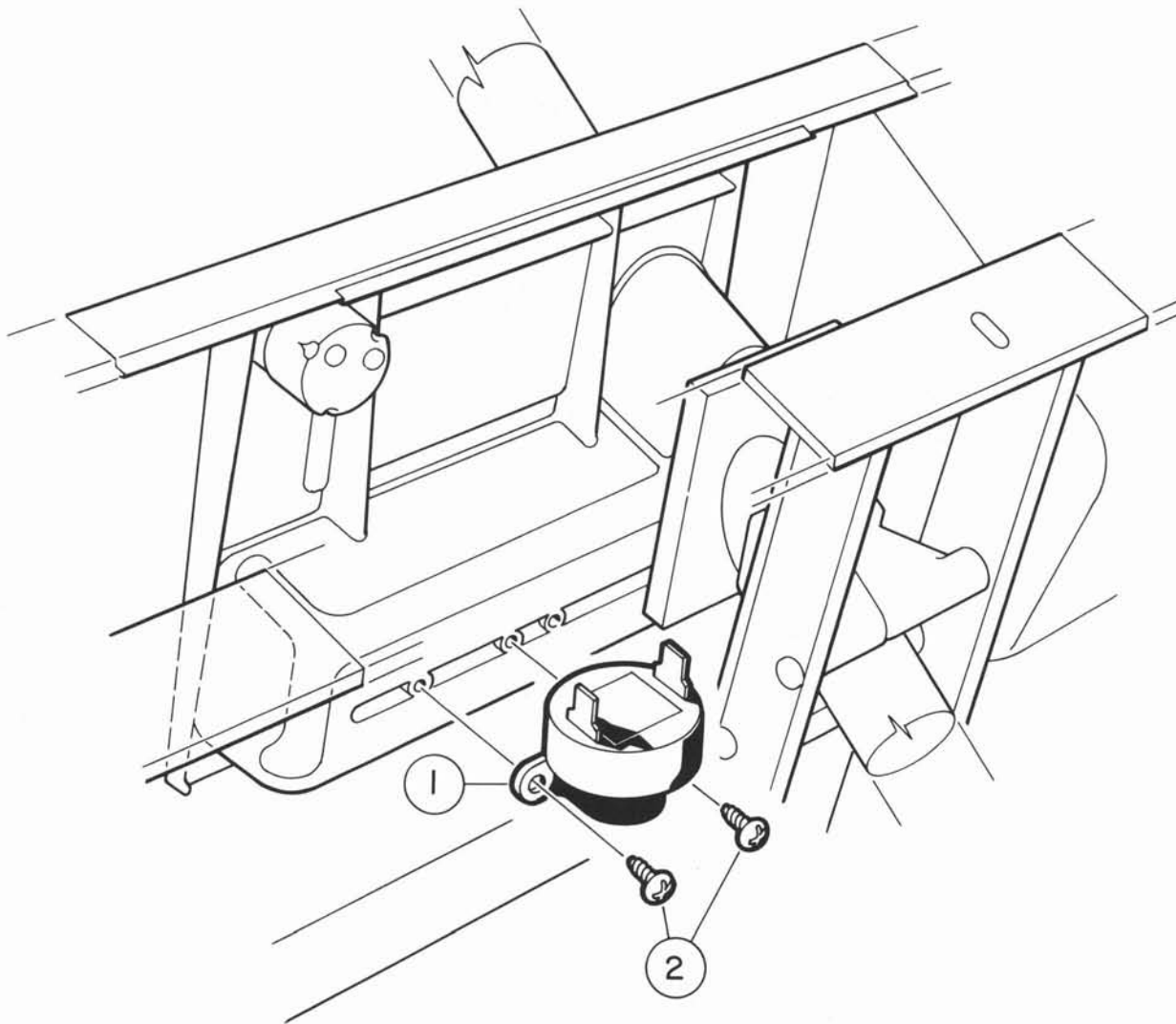
| ITEM NUMBER | PART NUMBER | DESCRIPTION | UNITS PER VEHICLE |
|-------------|-------------|---|-------------------|
| 1 | 1016947 | F&R SHIFTER ASSEMBLY INCLUDES ITMES 5 THRU 22, 27 AND 28 | 1 |
| 2 | 1013198 | PHILLIPS OVAL COUNTERSUNK MACHINE SCREW, #8-32 | 1 |
| 3 | 1012987 | F&R SWITCH HANDLE | 1 |
| 4 | 8248 | PHILLIPS HEAD SCREW, 1/4-20 X 3/4 | 4 |
| 5 | 1012594 | MACHINE SCREW, #4-40 X 1.00 | 2 |
| 6 | 8057 | UNC HEX HEAD, #4-40 | 4 |
| 7 | 1012431 | FLATWASHER, #4 | 2 |
| 8 | 1014808 | LIMIT SWITCH | 1 |
| 9 | 1014807 | LIMIT SWITCH | 1 |
| 10 | 8058 | LOCKWASHER, #4 | 2 |
| 11 | 1013591 | ROLL PIN, 1/8 DIAMETER | 1 |
| 12 | 8233 | NYLON LOCKNUT INSERT, 1/4-20 | 4 |
| 13 | 1014145 | BRONZE BUSHING, SECONDARY WEIGHT | 2 |
| 14 | 1014727 | FLATWASHER (NYLON), #4 | 2 |
| 15 | 1016342 | F&R SHIFTER BASE | 1 |
| 16 | 1014089 | NEUTRAL LOCK-OUT CAM KIT INCLUDES ITEM 18 | 1 |
| 17 | 1013590 | SPRING - F&R CAM | 1 |
| 18 | 1014065 | FLATWASHER (DERLIN) | 1 |
| 19 | 1013589 | RETAINING RING | 1 |
| 20 | 8717 | NYLON LOCKNUT, 1/4-28 | 2 |
| 21 | 1013587 | F&R BELL CRANK WELDMENT | 1 |
| 22 | 1010954 | BALL STUD, 1/4-28 X 1/4" | 2 |
| 23 | 1012333 | BALL JOINT | 2 |
| 24 | 7893 | UNF HEX NUT, #10-32 | 2 |
| 25 | 1013085 | TRANSMISSION SHIFT CABLE INCLUDES ITEMS 23 AND 24 | 1 |
| 26 | 1016341 | TRANSMISSION SHIFT LEVER | 1 |

5



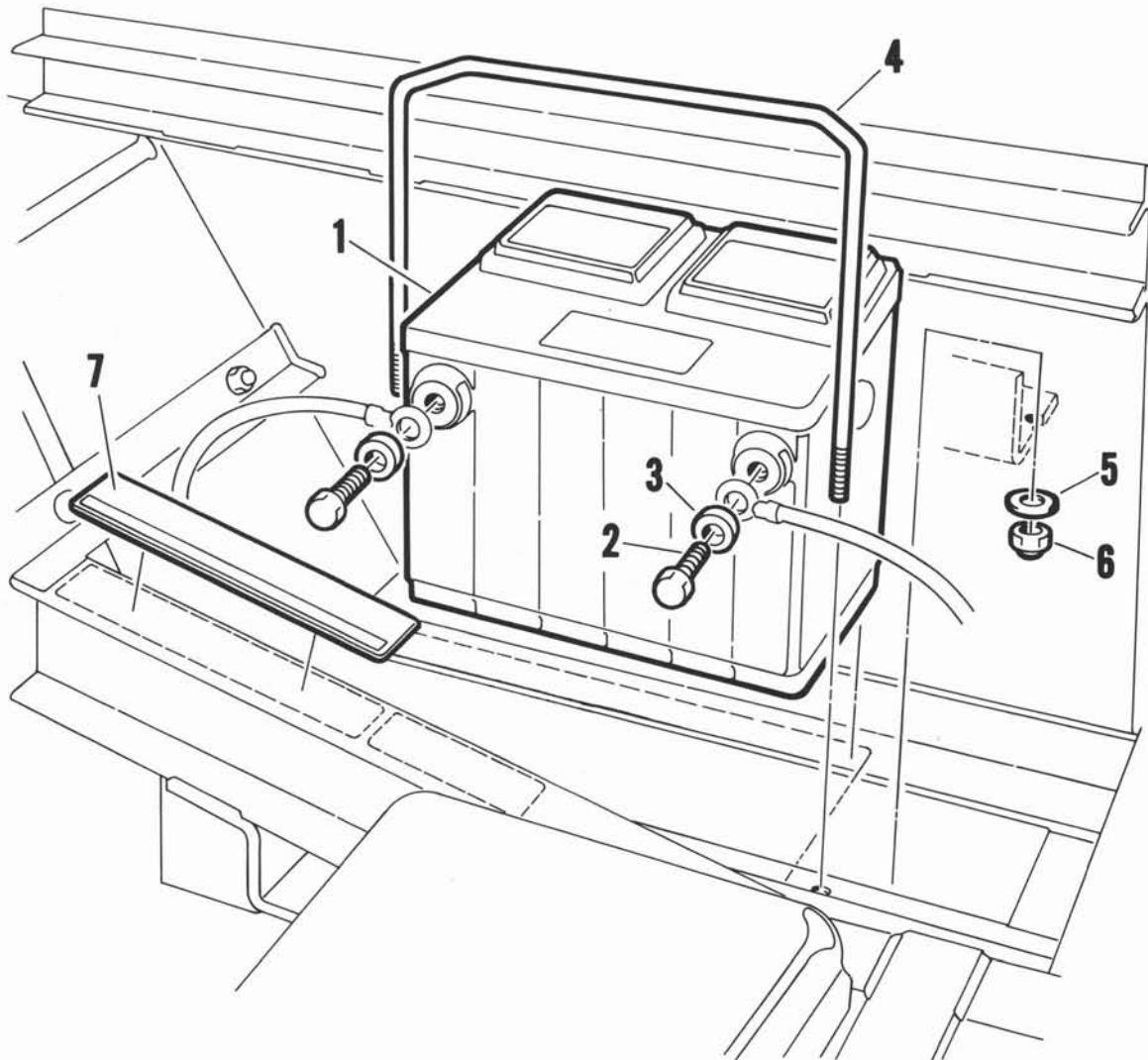
STARTER-GENERATOR MOUNTING

| ITEM NUMBER | PART NUMBER | 1 2 3 4 | DESCRIPTION | UNITS PER VEHICLE |
|-------------|-------------|---------|---|-------------------|
| 1 | 1012316 | | STARTER-GENERATOR | 1 |
| 2 | 1015240-01 | | MOUNTING BRACKET | 1 |
| 3 | 1014290 | | BELT | 1 |
| 4 | 1014289 | | PULLEY | 1 |
| 5 | 1012335 | | ADJUSTING BRACKET | 1 |
| 6 | 705 | | HEX HEAD CAP SCREW, 3/8-16 X 1-1/4" | 2 |
| 7 | 357 | | LOCKWASHER, 3/8 DIAMETER | 2 |
| 8 | 706 | | HEX NUT, 3/8-16 | 2 |
| 9 | 1015331 | | HEX HEAD CAP SCREW, M8-1.25 X 25MM | 2 |
| 10 | 7174 | | LOCKWASHER, 5/16 DIAMETER | 2 |
| 11 | 1016074 | | TORX HEAD SCREW, M8-1.25 X 18MM | 2 |
| 12 | 1015932 | | ROUND HEAD SQUARE NECK BOLT, 5/16-18 X 1" | 1 |
| 13 | 1242 | | HEX NUT, 5/16-18 | 1 |
| 14 | 1012384 | | #6 BLACK WIRE ASSEMBLY | 1 |
| 15 | 1015920 | | GROUND WIRE | 1 |
| 16 | 7473 | | NYLON LOCK NUT, 5/16-18 | 1 |
| 17 | 1241 | | FLATWASHER, 5/16 DIAMETER | 1 |
| 18 | 7173 | | HEX HEAD CAP SCREW, 5/16-18 X 3/4" | 1 |



REVERSE BUZZER - DASH MOUNTED

| ITEM NUMBER | PART NUMBER | 1 2 3 4 | DESCRIPTION | UNITS PER VEHICLE |
|-------------|-------------|---------|--|-------------------|
| 1 | 1016859 | | REVERSE BUZZER KIT | 1 |
| 2 | 1016849 | | SCREW PAN HEAD HI-LO, #4-24 X .330 | 2 |
| 3 | 1016857 | | WIRE ASSEMBLY, BLACK (GASOLINE VEHICLE ONLY - NOT SHOWN) | 1 |

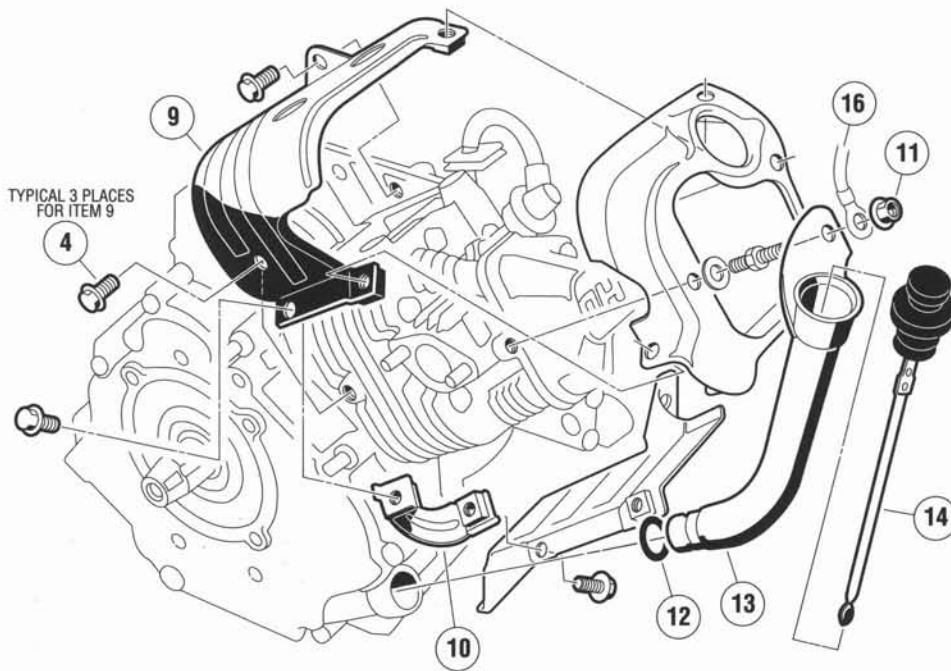
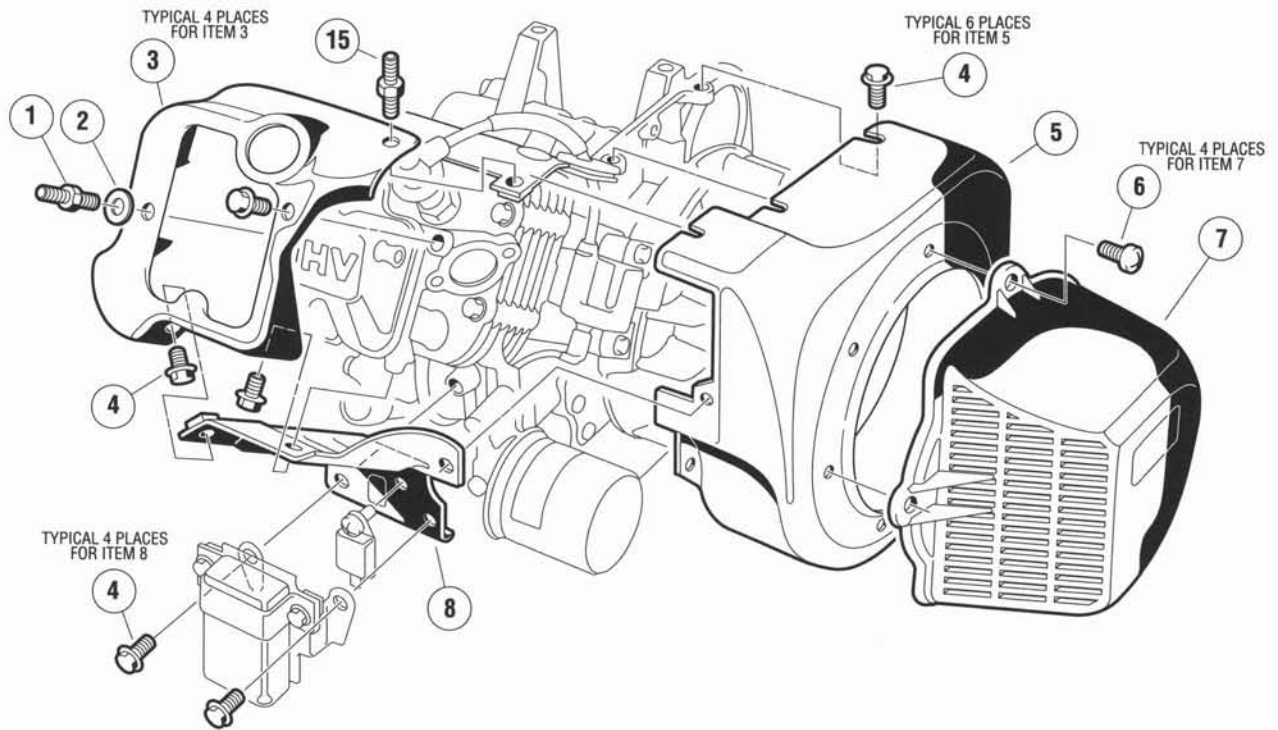


BATTERY

| ITEM NUMBER | PART NUMBER | DESCRIPTION | | | | UNITS PER VEHICLE |
|-------------|-------------|-------------|---|---|---|-------------------|
| | | 1 | 2 | 3 | 4 | |
| 1 | 1012328 | | | | | 1 |
| 2 | 1014375 | | | | | 2 |
| 3 | 1014374 | | | | | 2 |
| 4 | 1013882 | | | | | 1 |
| 5 | 1011964 | | | | | 2 |
| 6 | 1015068 | | | | | 2 |
| 7 | 1015474 | | | | | 1 |

Section 6

ENGINE



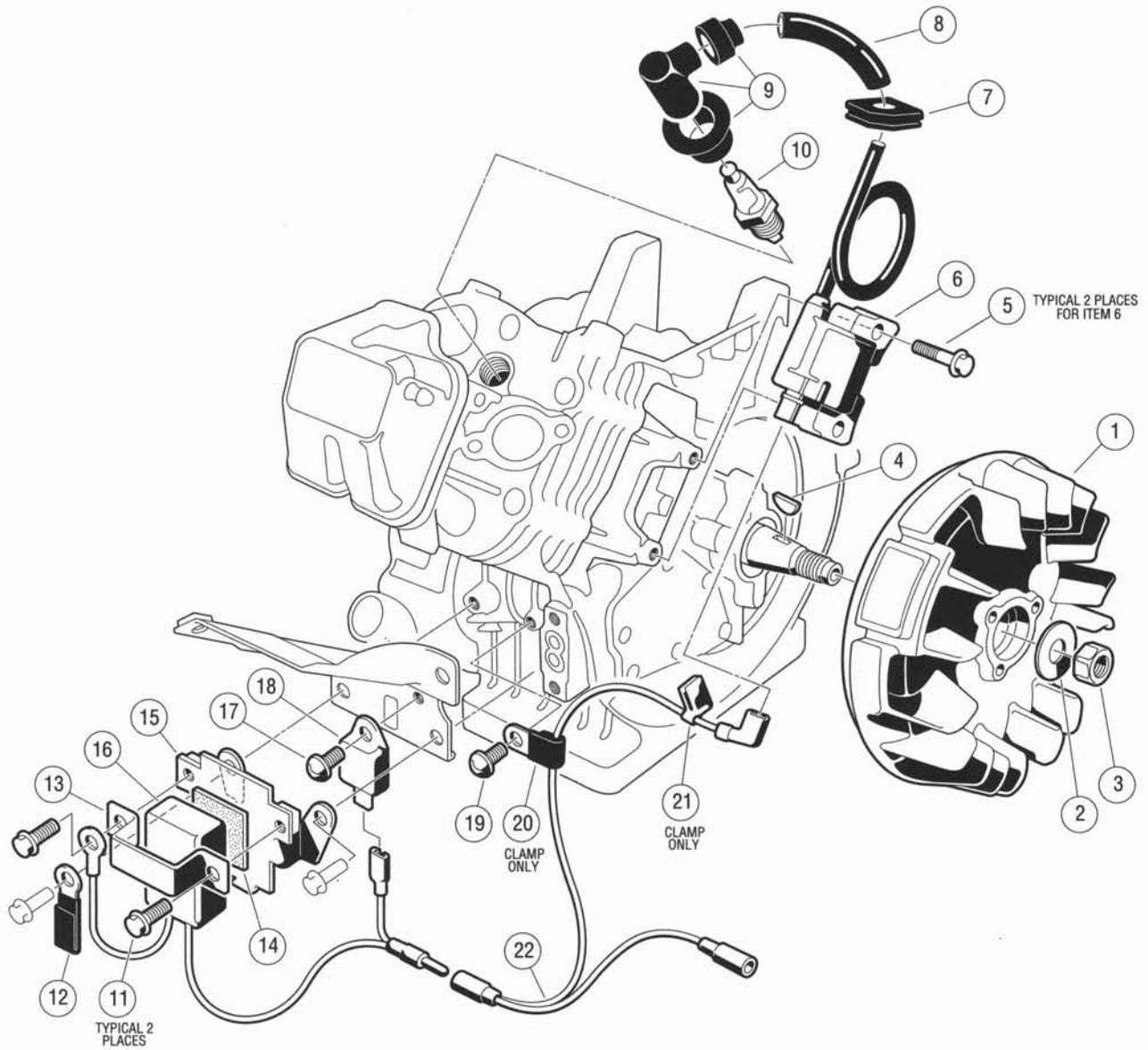
ENGINE

ENGINE

G

| ITEM NUMBER | PART NUMBER | DESCRIPTION | UNITS PER VEHICLE |
|-------------|-------------|---------------------------------------|-------------------|
| | | 1 2 3 4 | |
| | 1015731 | FE 290 OHV GASOLINE ENGINE - COMPLETE | |
| 1 | 1016507 | BOLT, 2-ENDED, M6 X 1 | 1 |
| 2 | 1016512 | PLAIN WASHER, 6MM DIAMETER | 1 |
| 3 | 1016524 | ENGINE SHROUD, FE 290 | 1 |
| 4 | 1016456 | FLANGED BOLT, M6 X 1 X 12 MM LONG | 17 |
| 5 | 1016534 | FAN HOUSING | 1 |
| 6 | 1015969 | PAN HEAD SCREW, M6 X 1 X 14MM LONG | 4 |
| 7 | 1015649 | FAN SHROUD | 1 |
| 8 | 1016526 | ENGINE SHROUD, FE 290 | 1 |
| 9 | 1016525 | ENGINE SHROUD, FE 290 | 1 |
| 10 | 1016443 | BRACKET | 1 |
| 11 | 1016547 | NUT, M6 X 1 | 1 |
| 12 | 1016539 | O-RING | 1 |
| 13 | 1016536 | OIL FILLER TUBE, FE 290 | 1 |
| 14 | 1016531 | DIPSTICK, FE 290 | 1 |
| 15 | 1017221 | SCREW, M6 X 1" STUD | 1 |
| 16 | 1015332 | WIRE ASSEMBLY, #6 BRAIDED | 1 |

6



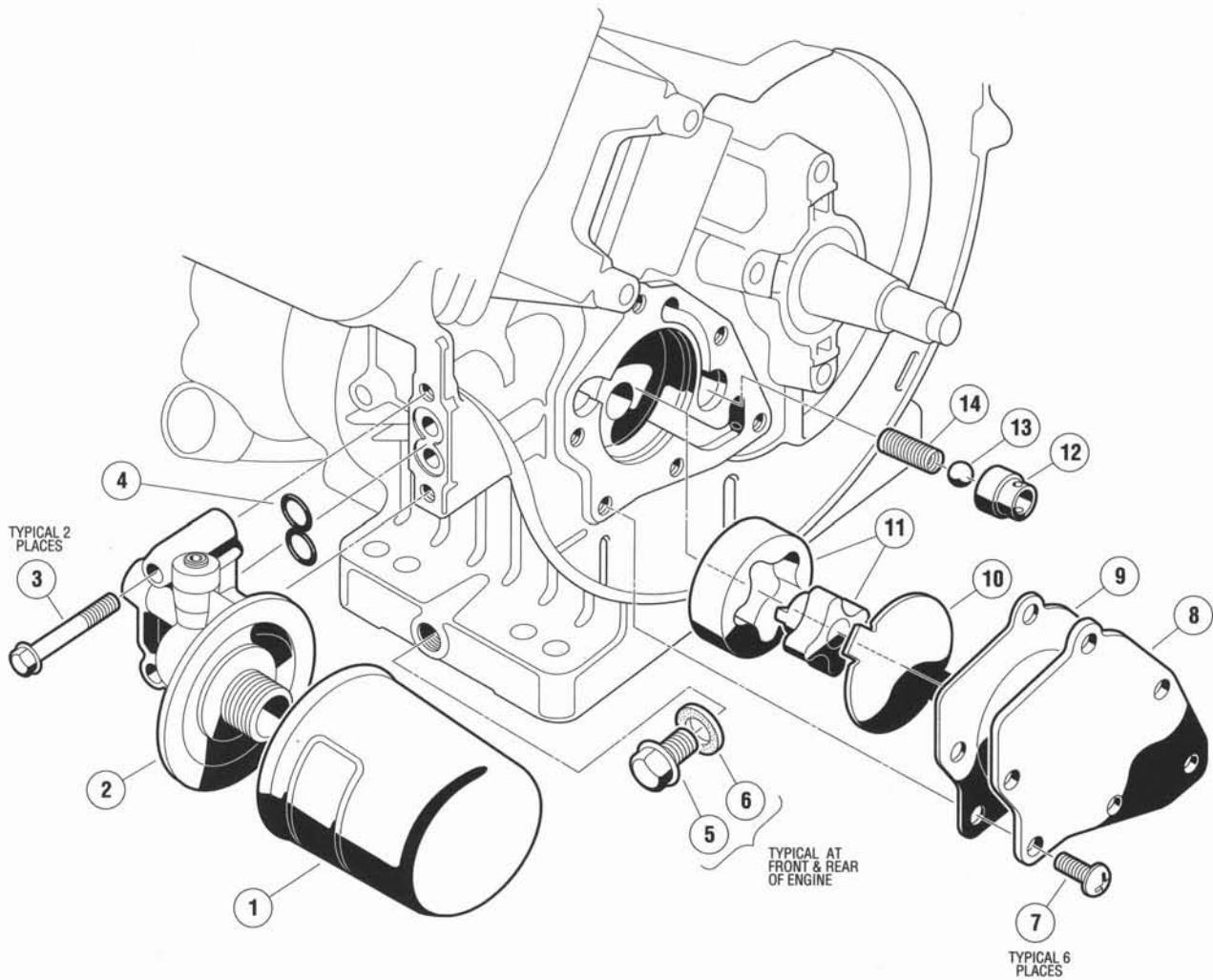
ENGINE

ENGINE

G

| ITEM NUMBER | PART NUMBER | 1 2 3 4 | DESCRIPTION | UNITS PER VEHICLE |
|-------------|-------------|---------|---|-------------------|
| 1 | 1016495 | | COMPOSITE FLYWHEEL OHV | 1 |
| 2 | 1016548 | | FLATWASHER, 16MM DIAMETER | 1 |
| 3 | 1016505 | | HEX NUT, M16 X 1.5 | 1 |
| 4 | 1016562 | | KEY | 1 |
| 5 | 1016455 | | FLANGED BOLT, M5 X 0.8 X 25MM LONG | 2 |
| 6 | 1016492 | | IGNITION COIL | 1 |
| 7 | 1016578 | | GROMMET | 1 |
| 8 | 1016588 | | TUBE, 7MM X 10MM X 70MM | 1 |
| 9 | 1016493 | | PLUG CAP ASSEMBLY | 1 |
| 10 | 1016111 | | SPARK PLUG OHV | 1 |
| 11 | 1016456 | | FLANGED BOLT, M6 X 1.0 X 12MM LONG | 2 |
| 12 | 1012981 | | CLAMP | 1 |
| 13 | 1016579 | | RPM LIMITER MOUNT | 1 |
| 14 | 1016586 | | DAMPER RPM LIMITER | 1 |
| 15 | 1016445 | | BRACKET RPM LIMITER | 1 |
| 16 | 1016511 | | RPM LIMITER OHV | 1 |
| 17 | 1016497 | | CROSS PAN HEAD SCREW, M5 X 0.8 X 8MM LONG | 1 |
| 18 | 1016491 | | IGNITER OHV | 1 |
| 19 | 1016544 | | CROSS PAN HEAD SELF TAP SCREW, M5 X 12MM LONG | 1 |
| 20 | 1016561 | | CLAMP | 1 |
| 21 | 1016587 | | CLAMP | 1 |
| 22 | 1016503 | | LEAD WIRE | 1 |

6



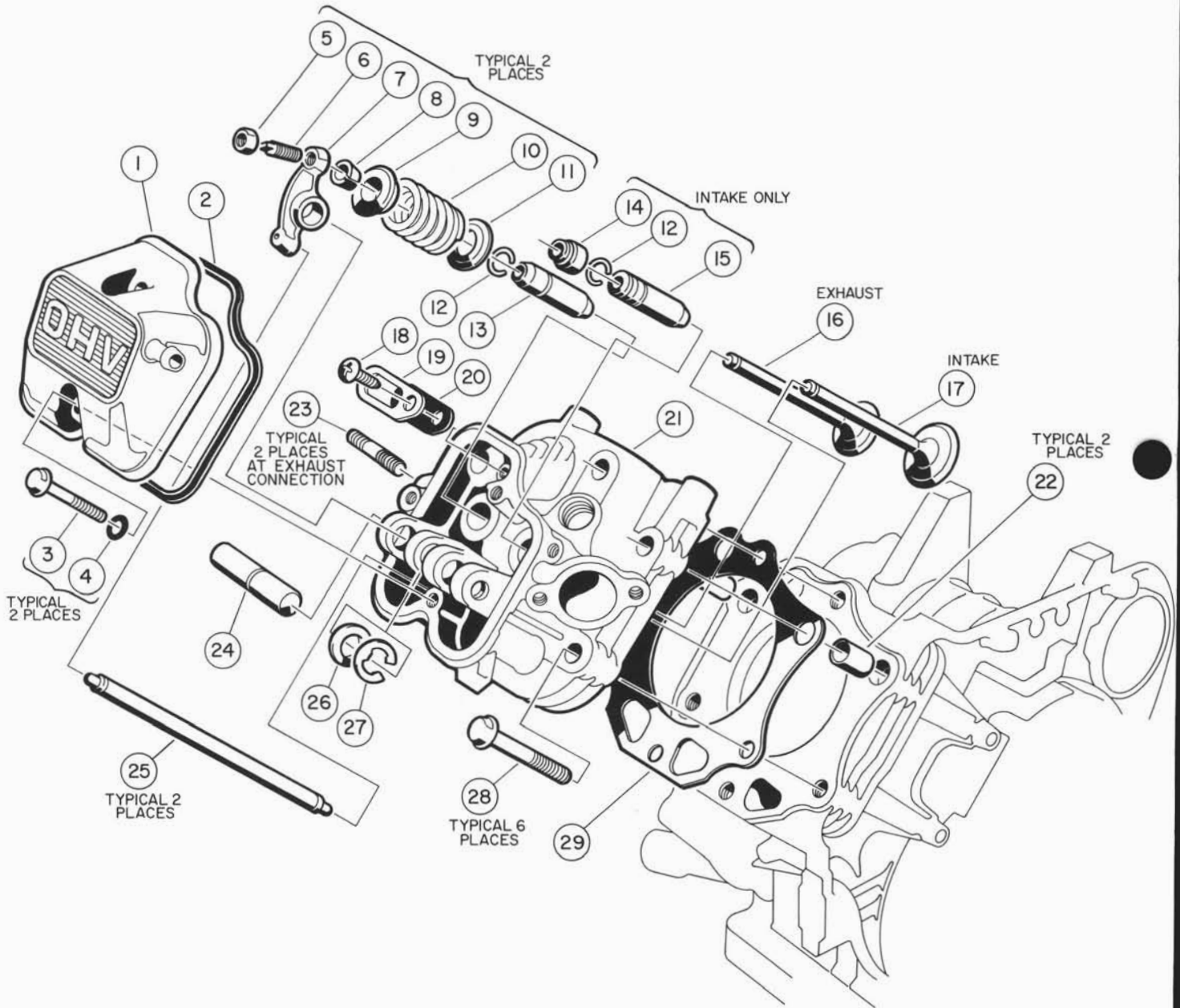
ENGINE

ENGINE

G

| ITEM NUMBER | PART NUMBER | 1 | 2 | 3 | 4 | DESCRIPTION | UNITS PER VEHICLE |
|-------------|-------------|---|---|---|---|---|-------------------|
| 1 | 1016467 | | | | | OIL FILTER ASSEMBLY OHV | 1 |
| 2 | 1016502 | | | | | OIL FILTER BRACKET | 1 |
| 3 | 1016457 | | | | | FLANGED HEX HEAD BOLT, M6 X 1.0 X 40MM LONG | 2 |
| 4 | 1016570 | | | | | O-RING, OIL FILLER MOUNT | 1 |
| 5 | 1016576 | | | | | DRAIN PLUG, FE 290 | 2 |
| 6 | 1013761 | | | | | GASKET, DRAIN PLUG | 2 |
| 7 | 1016498 | | | | | CROSS PAN HEAD SCREW, M6 X 1.0 X 12MM LONG | 6 |
| 8 | 1016484 | | | | | PUMP COVER | 1 |
| 9 | 1016435 | | | | | OIL PUMP GASKET | 1 |
| 10 | 1016473 | | | | | OIL PUMP PLATE | 1 |
| 11 | 1016482-03 | | | | | OIL PUMP AND ROTOR | 1 |
| 12 | 1016429 | | | | | VALVE SEAT | 1 |
| 13 | 1016537 | | | | | STEEL BALL, PRESS RELIEF | 1 |
| 14 | 1016581 | | | | | SPRING | 1 |

6



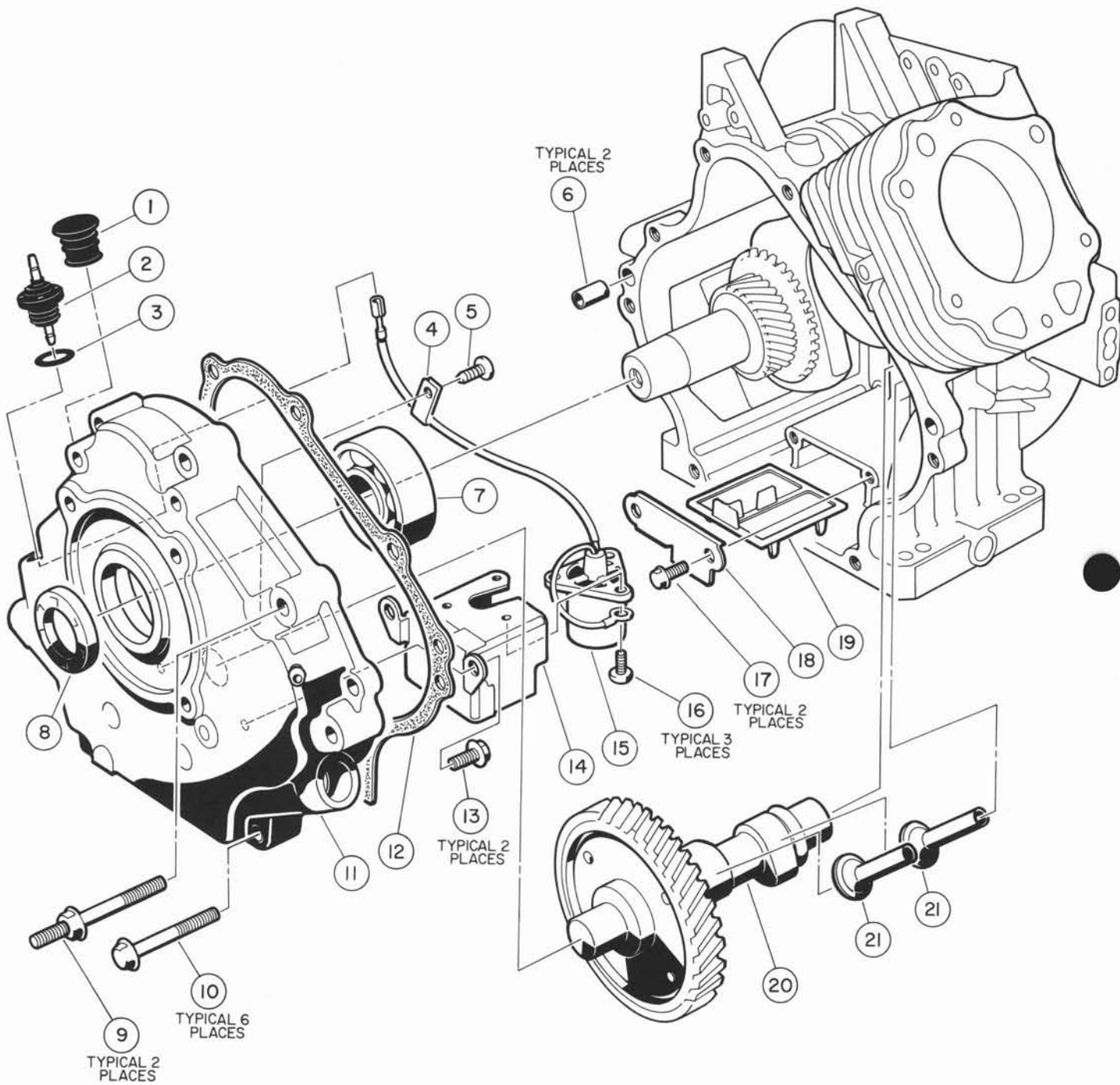
ENGINE

ENGINE

G

| ITEM NUMBER | PART NUMBER | 1 2 3 4 | DESCRIPTION | UNITS PER VEHICLE |
|-------------|-------------|---------|---|-------------------|
| 1 | 1016442 | | ROCKER CASE | 1 |
| 2 | 1016436 | | ROCKER CASE GASKET | 1 |
| 3 | 1016583 | | FLANGED BOLT, M6 X 1.0 X 35MM LONG | 2 |
| 4 | 1016569 | | O-RING | 2 |
| 5 | 1016545 | | HEX NUT | 2 |
| 6 | 1016542 | | SCREW | 2 |
| 7 | 1016451 | | ROCKER ARM | 2 |
| 8 | 1016450 | | COLLET | 2 |
| 9 | 1016449 | | VALVE SPRING RETAINER | 2 |
| 10 | 1016523 | | ENGINE VALVE SPRING | 2 |
| 11 | 1016479 | | SPRING SEAT | 2 |
| 12 | 1016560 | | SNAP RING | 2 |
| 13 | 1016518 | | VALVE GUIDE (EXHAUST) | 1 |
| 14 | 1016566 | | VALVE SEAL OIL SEAL | 1 |
| 15 | 1016519 | | VALVE GUIIDE (INTAKE) | 1 |
| 16 | 1016448 | | EXHAUST VALVE | 1 |
| 17 | 1016447 | | INTAKE VALVE | 1 |
| 18 | 1016544 | | SCREW | 1 |
| 19 | 1016474 | | PLATE | 1 |
| 20 | 1016483 | | VALVE | 1 |
| 21 | 1016431 | | CYLINDER HEAD COMPLETE OHV INCLUDES ITEMS 12, 13, AND 15 | 1 |
| 22 | 1016563 | | PIN | 2 |
| 23 | 1016489 | | STUD BOLT | 2 |
| 24 | 1016452 | | ROCKER SHAFT | 1 |
| 25 | 1016471 | | PUSH ROD | 2 |
| 26 | 1016549 | | WASHER | 1 |
| 27 | 1016517 | | TYPE-E CIRCLIP | 1 |
| 28 | 1016458 | | FLANGED BOLT, M8 X 1.25 X 45MM LONG | 6 |
| 29 | 1016430 | | HEAD GASKET FE 290 | 1 |

6



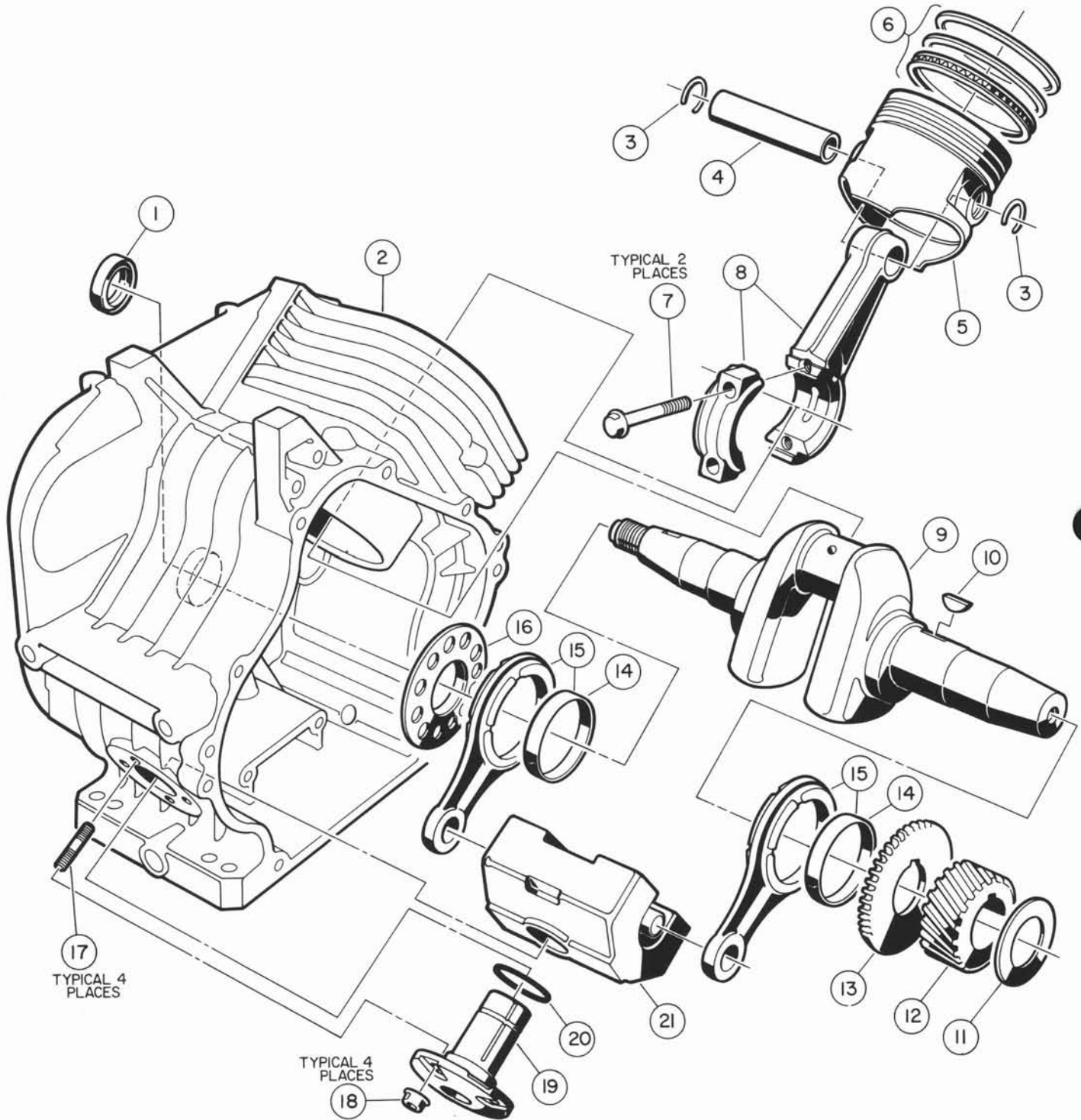
ENGINE

ENGINE

G

| ITEM NUMBER | PART NUMBER | DESCRIPTION | UNITS PER VEHICLE |
|-------------|-------------|---|-------------------|
| 1 | 1016596 | PLUG | 1 |
| 2 | 1016535 | CORD CONNECTOR | 1 |
| 3 | 1016538 | O-RING | 1 |
| 4 | 1016506 | CLAMP | 1 |
| 5 | 1016544 | CROSS PAN HEAD SELF TAPPING SCREW, 5MM DIAMETER X 12MM LONG | 1 |
| 6 | 1016564 | PIN | 2 |
| 7 | 1016565 | BALL BEARING | 1 |
| 8 | 1016567 | CRANKSHAFT SEAL | 1 |
| 9 | 1016584 | FLANGED 2-ENDED BOLT, M8 X 1.25 | 2 |
| 10 | 1016458 | FLANGED BOLT, M8 X 1.25 | 6 |
| 11 | 1016520 | CRANKCASE COVER | 1 |
| 12 | 1016446 | CRANKCASE COVER GASKET | 1 |
| 13 | 1016456 | FLANGED BOLT, M5 X 1.0 X 12MM LONG | 2 |
| 14 | 1016510 | SWITCH BRACKET, OIL LEVEL | 1 |
| 15 | 1016494 | SENSOR, OIL LEVEL, FE 290 | 1 |
| 16 | 1016496 | CROSS PAN HEAD SCREW, M4 X 0.7 X 8MM LONG | 3 |
| 17 | 1016454 | FLANGED BOLT, M5 X 0.8 X 8MM LONG | 2 |
| 18 | 1016472 | OIL FILTER SCREEN PLATE | 1 |
| 19 | 1016521 | OIL FILTER, SCREEN | 1 |
| 20 | 1016528 | CAMSHAFT, COMPOSITE | 1 |
| 21 | 1016453 | TAPPET | 2 |

6



ENGINE

ENGINE

G

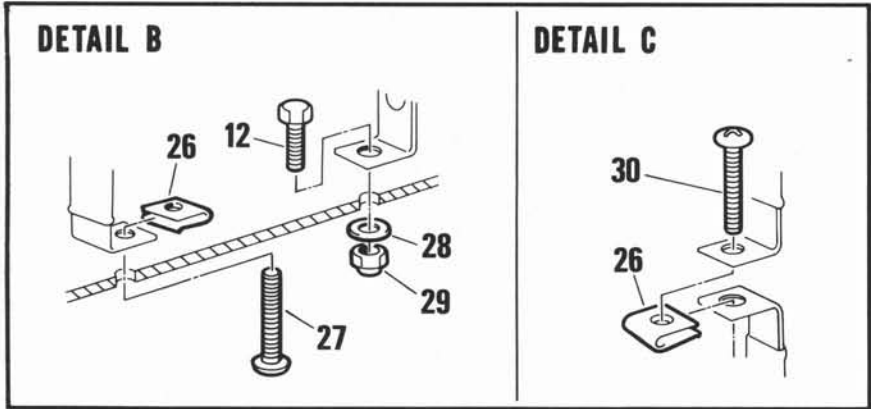
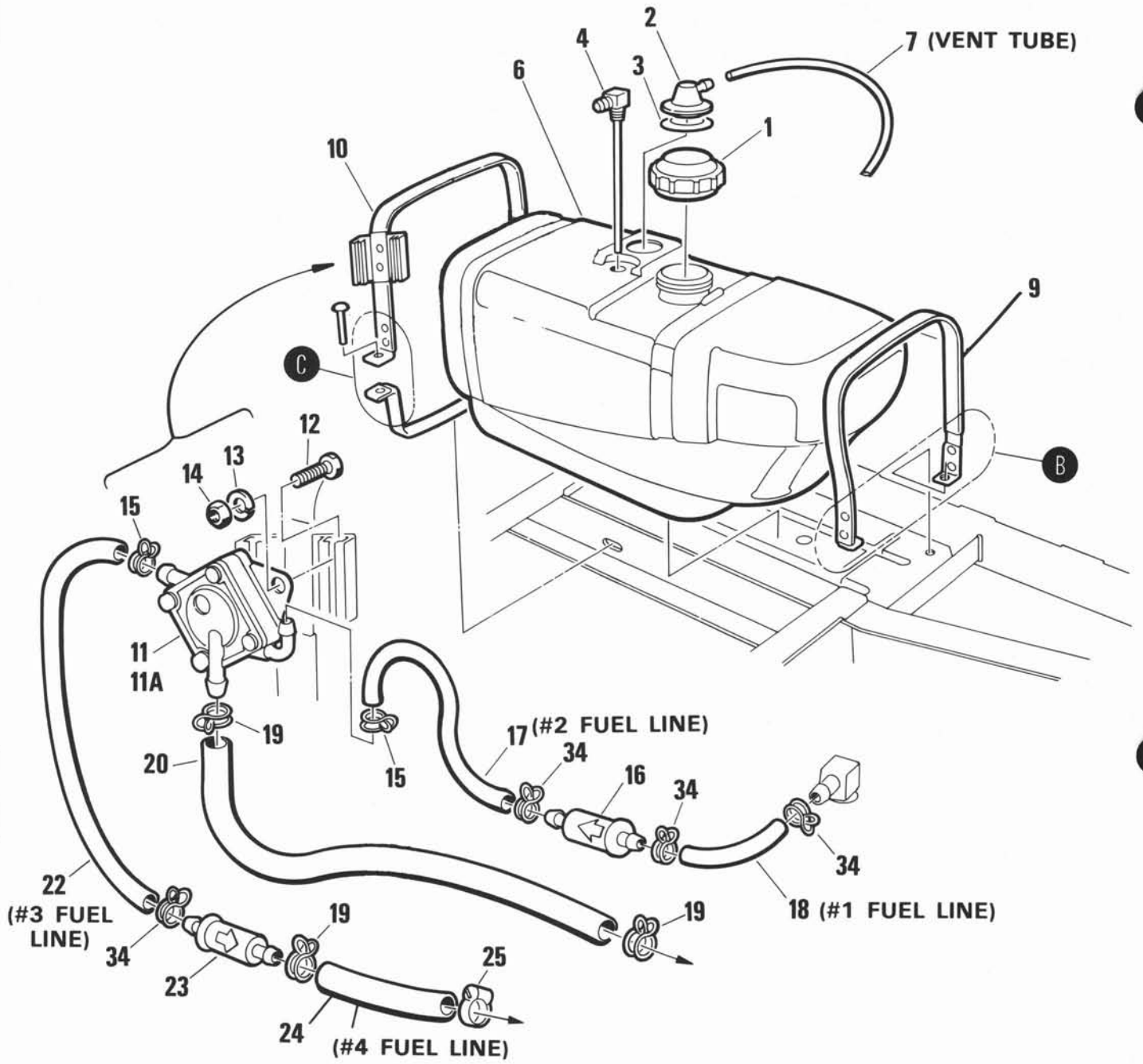
| ITEM NUMBER | PART NUMBER | 1 2 3 4 | DESCRIPTION | UNITS PER VEHICLE |
|-------------|-------------|---------|--|-------------------|
| 1 | 1016568 | | OIL SEAL | 1 |
| 2 | 1016529 | | CRANKCASE, COMPLETE OHV | 1 |
| 3 | 1016558 | | SNAP RING | 2 |
| 4 | 1016460 | | PISTON PIN | 1 |
| 5 | 1016459-01 | | PISTON - STANDARD | 1 |
| 5 | 1016459-02 | | PISTON - .25MM OVERSIZE | 1 |
| 5 | 1016459-03 | | PISTON - .50MM OVERSIZE | 1 |
| 5 | 1016459-04 | | PISTON - .75MM OVERSIZE | 1 |
| 6 | 1016461-01 | | PISTON RING - STANDARD | 1 |
| 6 | 1016461-02 | | PISTON RING - .25MM OVERSIZE | 1 |
| 6 | 1016461-03 | | PISTON RING - .50MM OVERSIZE | 1 |
| 6 | 1016461-04 | | PISTON RING - .75MM OVERSIZE | 1 |
| 7 | 1016509 | | BOLT | 2 |
| 8 | 1016475-01 | | CONNECTING ROD ASSEMBLY - STANDARD INCLUDES 2 EACH ITEM 7 | 1 |
| 8 | 1016475-02 | | CONNECTING ROD ASSEMBLY - .50MM OVERSIZE INCLUDES 2 EACH ITEM 7 | 1 |
| 9 | 1016468 | | CRANKSHAFT, OHV INCLUDES 1 EACH ITEMS 12, 13, AND 15 | 1 |
| 10 | 1016562 | | KEY | 1 |
| 11 | 1016550-01 | | SHIM 1.13MM THICK | 1 |
| 11 | 1016550-02 | | SHIM 1.18MM THICK | 1 |
| 11 | 1016550-03 | | SHIM 1.23MM THICK | 1 |
| 11 | 1016550-04 | | SHIM 1.28MM THICK | 1 |
| 11 | 1016550-05 | | SHIM 1.33MM THICK | 1 |
| 11 | 1016550-06 | | SHIM 1.38MM THICK | 1 |
| 11 | 1016550-07 | | SHIM 1.43MM THICK | 1 |
| 11 | 1016550-08 | | SHIM 1.48MM THICK | 1 |
| 11 | 1016550-09 | | SHIM 1.53MM THICK | 1 |
| 12 | 1016533 | | HELICAL GEAR | 1 |
| 13 | 1016532 | | SPUR GEAR | 1 |
| 14 | 1016580 | | PLANE BEARING | 2 |
| 15 | 1016516 | | CONNECTING ROD ASSEMBLY INCLUDES ITEM 14 | 2 |
| 16 | 1016559 | | SPACER | 1 |
| 17 | 1016541 | | STUD M6 X 1.0 | 4 |
| 18 | 1016547 | | FLANGED NUT M6 X 1.0 | 4 |
| 19 | 1016470 | | SHAFT, GUIDE COUNTER BALANCE | 1 |
| 20 | 1016571 | | O-RING | 1 |
| 21 | 1016469 | | COUNTER BALANCE, WEIGHT | 1 |

6



Section 7

FUEL, INTAKE, AND GOVERNOR SYSTEM



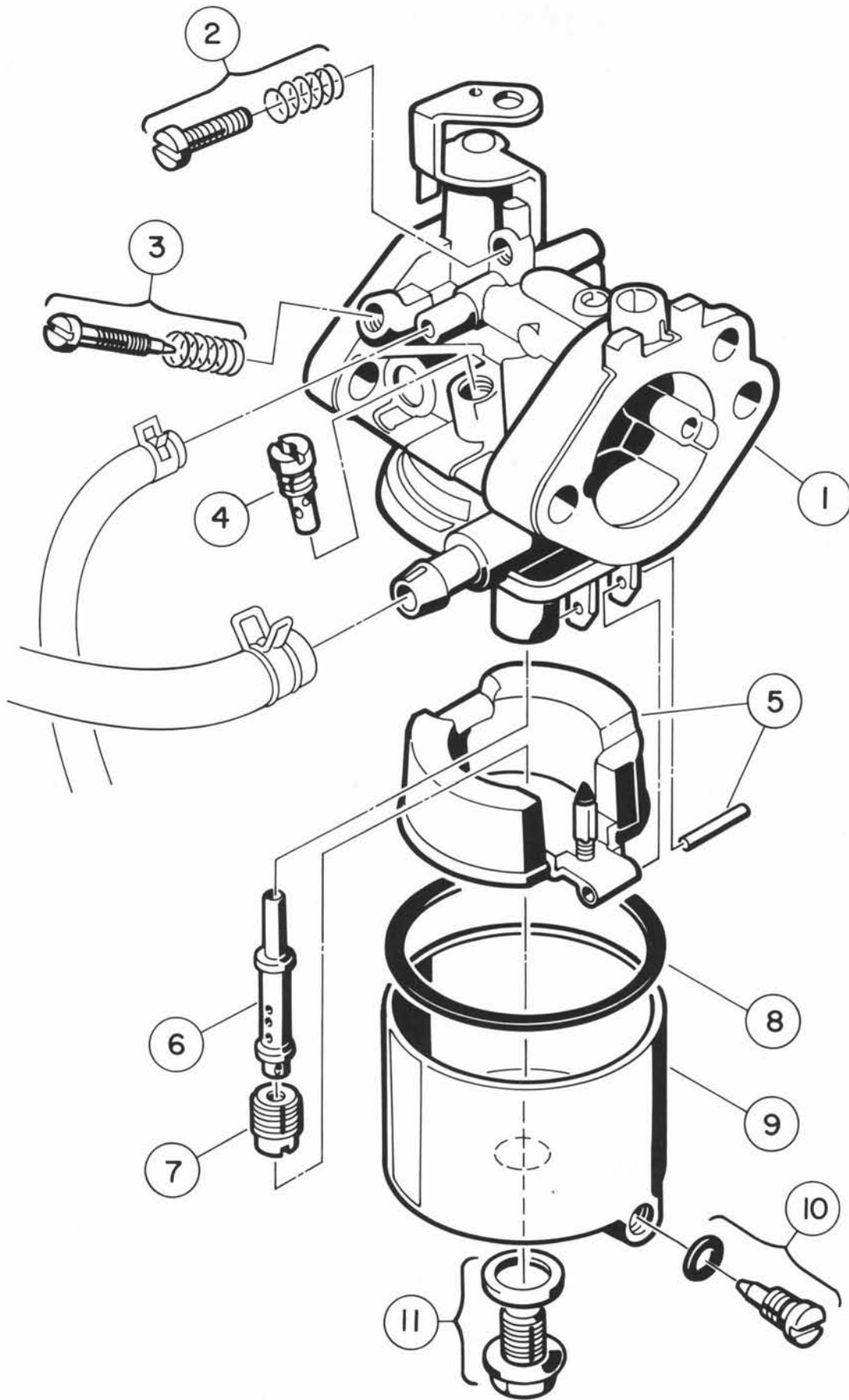
FUEL SYSTEM ASSEMBLY

FUEL SYSTEM ASSEMBLY

G

| ITEM NUMBER | PART NUMBER | 1 2 3 4 | DESCRIPTION | UNITS PER VEHICLE |
|-------------|-------------|---------|--|-------------------|
| 1 | 1015188 | | FUEL TANK CAP, NONVENTED | 1 |
| 2 | 1015143 | | FUEL TANK VENT ASSEMBLY | 1 |
| 3 | 1015139 | | INSULATION GROMMET | 1 |
| 4 | 1012619 | | FUEL TUBE AND FITTING ASSEMBLY | 1 |
| 5 | 1015921 | | WIRE ASSEMBLY, #16 BLACK | 1 |
| 6 | 1016004 | | TANK KIT WITH SENDING UNIT | 1 |
| | | | INCLUDES ITEMS 7, 27, 28, AND 29 | |
| 7 | NO # | | VENT FUEL LINE, 33" | 1 |
| | | | SEE ITEM 33 | |
| 8 | 1015476 | | DANGER DECAL - GASOLINE VEHICLES | 1 |
| 9 | 1014928 | | REAR FUEL STRAP ASSEMBLY | 1 |
| 10 | 1014927 | | FRONT FUEL STRAP ASSEMBLY | 1 |
| 11 | 1014523 | | IMPULSE FUEL PUMP, SQUARE BODY | 1 |
| 11A | 1014524 | | IMPULSE FUEL PUMP, SQUARE BODY REBUILD KIT | A/R |
| 12 | 7847 | | HEX HEAD CAP SCREW, 1/4-20 X 3/4" | 3 |
| 13 | 451 | | LOCKWASHER, HEL SP, 1/4 DIAMETER | 2 |
| 14 | 1028 | | HEX NUT, 1/4-20 | 2 |
| 15 | 1013134-01 | | HOSE CLAMP (RED) | 2 |
| 16 | 1013684 | | PRIMARY FUEL FILTER (WHITE) | 1 |
| 17 | NO #2 | | FUEL LINE | 1 |
| | | | SEE ITEM 31 | |
| 18 | NO #2 | | FUEL LINE | 1 |
| | | | SEE ITEM 31 | |
| 19 | 1012649 | | HOSE CLAMP | 3 |
| 20 | NO #4 | | FUEL LINE | 1 |
| | | | SEE ITEM 32 | |
| 21 | 8639 | | TIE WRAP (IF USED) | 1 |
| 22 | NO #2 | | FUEL LINE | 1 |
| | | | SEE ITEM 31 | |
| 23 | 1014522 | | SECONDARY FUEL FILTER (BLUE) | 1 |
| 24 | NO #4 | | FUEL LINE | 1 |
| | | | SEE ITEM 32 | |
| 25 | 1013687 | | HOSE CLAMP, 3/8 DIAMETER | 1 |
| 26 | 1014116 | | SPEED NUT, U-TYPE, 1/4-20 | 2 |
| 27 | 1013176 | | PHILLIP TRUSS HEAD SCREW, 1/4-20 X 2-1/2" | 1 |
| 28 | 332 | | FLATWASHER, 1/4 DIAMETER | 1 |
| 29 | 8233 | | NYLON LOCKNUT INSERT, 1/4-20 | 1 |
| 30 | 1011988 | | PHILLIP TRUSS HEAD SCREW, 1/4-20 X 2" | 1 |
| 31 | 1012293 | | FUEL LINE BULK (#2) | A/R |
| 32 | 1013692 | | FUEL LINE BULK (#4) | A/R |
| 33 | 1015137 | | FUEL LINE BULK (VENT) | A/R |
| 34 | 1013134-02 | | HOSE CLAMP (GOLD) | 4 |

7



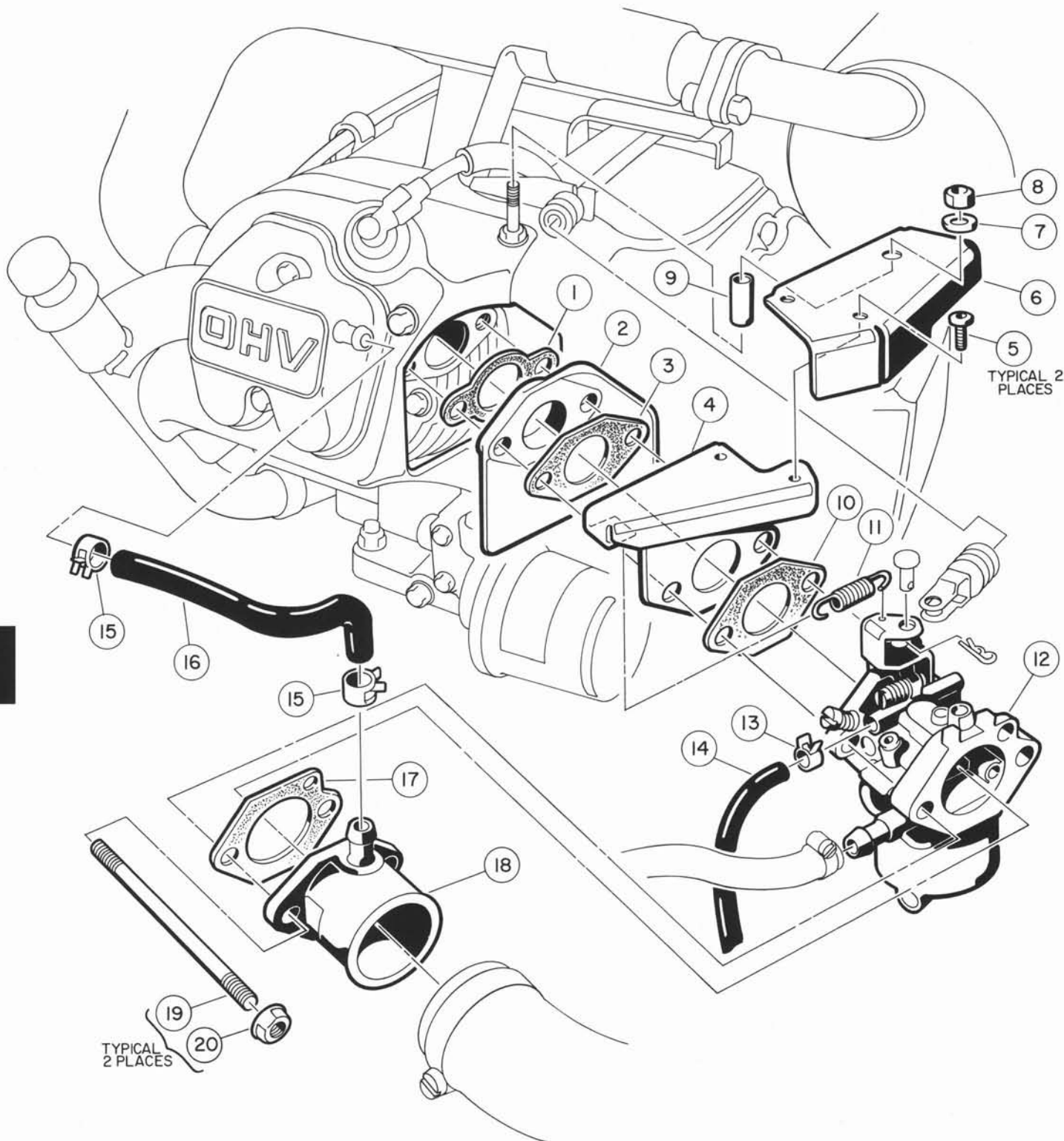
CARBURETOR ASSEMBLY

CARBURETOR ASSEMBLY

G

| ITEM NUMBER | PART NUMBER | DESCRIPTION | | | | UNITS PER VEHICLE |
|----------------|----------------|---|---|---|---|-------------------------|
| | | 1 | 2 | 3 | 4 | |
| 1 | 1016478 | CARBURETOR ASSEMBLY OHV INCLUDES ITEMS 2 THRU 11 AND CARBURETOR BODY WITH THROTTLE VALVE | | | | 1 |
| 2 | 1016501 | SCREW ASSEMBLY | | | | 1 |
| 3 | 1016500 | SCREW ASSEMBLY | | | | 1 |
| 4 | 1016574 | PILOT JET, #45 | | | | 1 |
| 5 | 1016486 | FLOAT ASSEMBLY | | | | 1 |
| 6 | 1016530 | MAIN NOZZLE | | | | 1 |
| 7 | 1016425-80 | MAIN JET (IF ABOVE 3000 FT., CONTACT YOUR DEALER FOR PROPER JETTING.) | | | | 1 |
| 8 | 1016437 | GASKET, CARBURETOR BOWL, OHV | | | | 1 |
| 9 | 1016487 | FLOAT CHAMBER ASSEMBLY INCLUDES ITEM 10 AND FLOAT CHAMBER | | | | 1 |
| 10 | 1016499 | SCREW ASSEMBLY | | | | 1 |
| 11 | 1016585 | BOLT | | | | 1 |

7



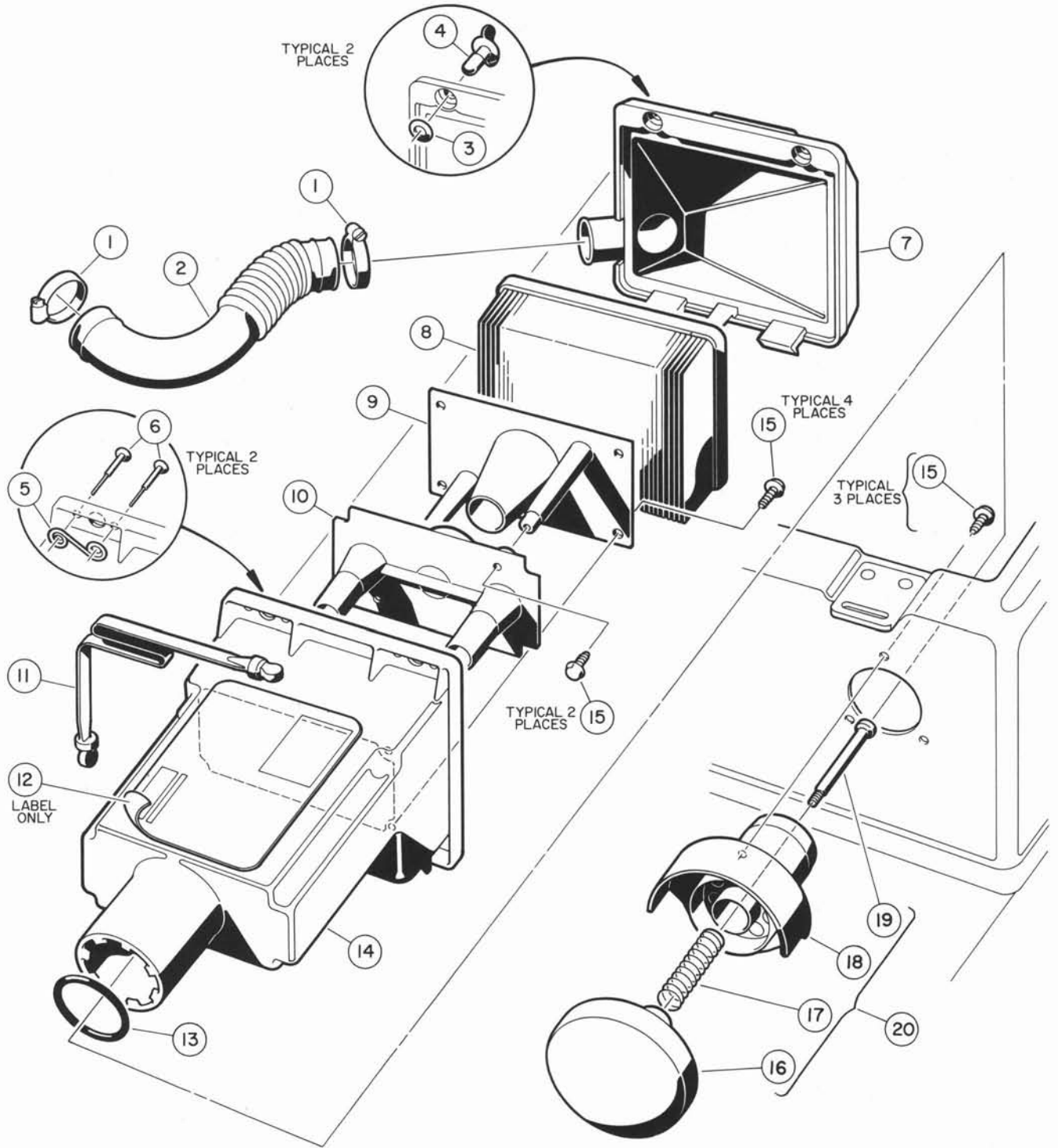
GOVERNOR GUARD AND INTAKE HOSE

GOVERNOR GUARD AND INTAKE HOSE

G

| ITEM NUMBER | PART NUMBER | DESCRIPTION | UNITS PER VEHICLE |
|----------------|----------------|---|-------------------------|
| 1 | 1016440 | INSULATOR GASKET | 1 |
| 2 | 1016481 | CARBURETOR INSULATOR | 1 |
| 3 | 1016439 | GASKET, CARBURETOR INSULATOR TO THROTTLE BRACKET | 1 |
| 4 | 1016444 | THROTTLE BRACKET | 1 |
| 5 | 1016103 | PAN HEAD, TORX HEAD, SELF-TAPPING SCREW, #6-32 X 1/4" | 2 |
| 6 | 1016102 | GOVERNOR GUARD | 1 |
| 7 | 451 | LOCKWASHER, 1/4 DIAMETER | 1 |
| 8 | 1011114 | HEX NUT, M6 | 1 |
| 9 | 1016848 | GOVERNOR GUARD SPACER | 1 |
| 10 | 1016441 | GASKET, THROTTLE BRACKET TO CARBURETOR OHV | 1 |
| 11 | 1016582 | SPRING, THROTTLE RETURN | 1 |
| 12 | 1016478 | CARBURETOR ASSEMBLY | 1 |
| 13 | 1013746 | HOSE CLAMP | 1 |
| 14 | 1015877-01 | AIR VENT TUBE | 1 |
| 15 | 1013746 | HOSE CLAMP | 2 |
| 16 | 1016572 | TUBE, CRANKCASE VENT | 1 |
| 17 | 1016438 | GASKET, CARBURETOR TO INTAKE MANIFOLD | 1 |
| 18 | 1016480 | INTAKE PIPE | 1 |
| 19 | 1016490 | STUD BOLT | 2 |
| 20 | 1016547 | FLANGED NUT, M6 | 2 |

7



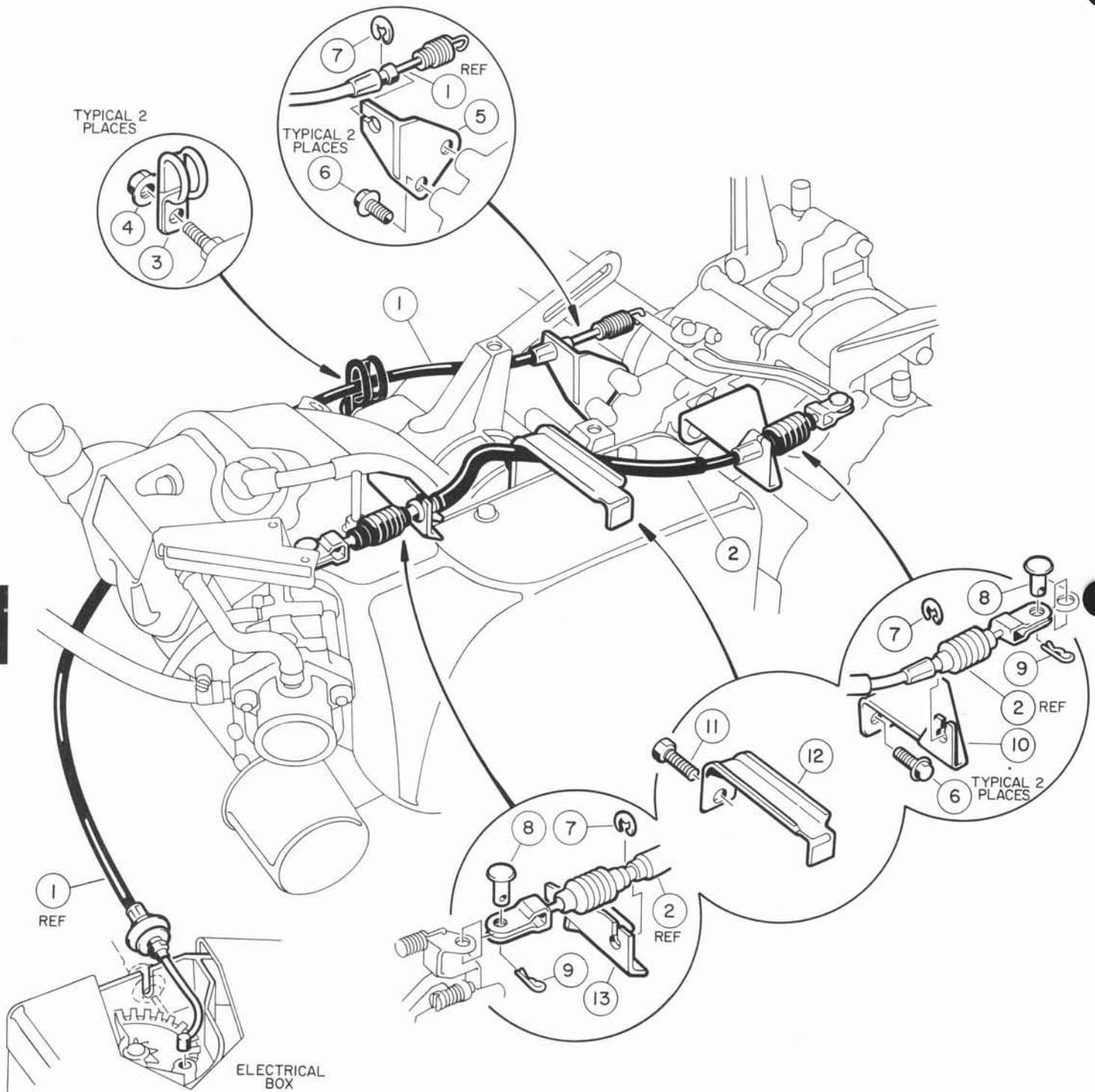
EXPANSION CHAMBER, CHOKE, AND FILTER

EXPANSION CHAMBER, CHOKE, AND FILTER

G

| ITEM NUMBER | PART NUMBER | 1 2 3 4 | DESCRIPTION | UNITS PER VEHICLE |
|----------------|----------------|---------|---|-------------------------|
| 1 | 1015430 | | HOSE CLAMP, AIR INTAKE | 2 |
| 2 | 1016228 | | INTAKE HOSE | 1 |
| 3 | 1015291 | | FASTENER GROMMET STUD RETAINER, SIZE 6 | 2 |
| 4 | 1015290 | | WING HEAD STUD, SIZE 6 | 2 |
| 5 | 1015292 | | SPRING RECEPTACLE, SIZE 6 | 2 |
| 6 | 1015727 | | POP RIVET, 1/8 DIAMETER | 4 |
| 7 | 1015293 | | EXPANSION CHAMBER COVER | 1 |
| 8 | 1015426 | | AIR FILTER ELEMENT | 1 |
| 9 | 1015542 | | SECONDARY AIR BOX BAFFLE | 1 |
| 10 | 1015541 | | PRIMARY AIR BOX BAFFLE | 1 |
| 11 | 1015577 | | EXPANSION CHAMBER RETENSION STRAP | 1 |
| 12 | 1016062 | | SERVICE DECAL OHV | 1 |
| 13 | 1015425 | | O-RING | 1 |
| 14 | 1015540 | | EXPANSION CHAMBER | 1 |
| 15 | 1015289 | | HI-LO HEX SCREW, #10 X 5/8" | 9 |
| 16 | 1012629 | | CHOKE COVER | 1 |
| 17 | 1012633 | | CHOKE SPRING | 1 |
| 18 | 1015485 | | CHOKE BASE | 1 |
| 19 | 1012634 | | SHOULDER SCREW, 1/4-20 X 2" | 1 |
| 20 | 1015745 | | CHOKE ASSEMBLY INCLUDES ITEMS 16 THRU 19 | 1 |

7



GOVERNOR AND ACCELERATOR CABLES

GOVERNOR AND ACCELERATOR CABLES

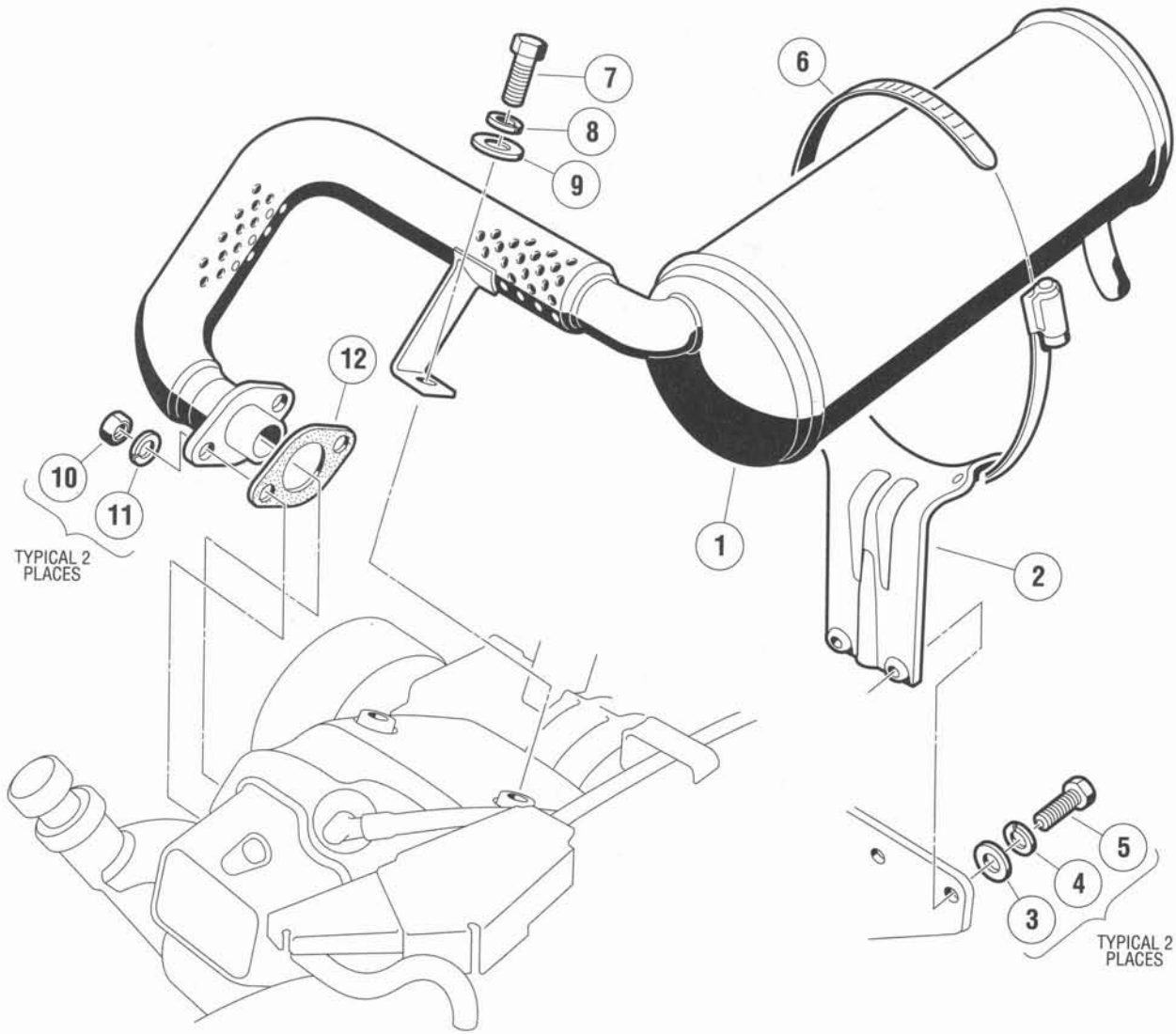
G

| ITEM NUMBER | PART NUMBER | 1 2 3 4 | DESCRIPTION | UNITS PER VEHICLE |
|----------------|----------------|---------|--|-------------------------|
| 1 | 1015225 | | ACCELERATOR CABLE | 1 |
| 2 | 1015226-01 | | GOVERNOR CABLE | 1 |
| 3 | 1013700 | | CLAMP - HOSE RETAINING | 2 |
| 4 | 1016546 | | NUT | 2 |
| 5 | 1015410 | | ACCELRACTOR SUPPORT BRACKET | 1 |
| 6 | 1015746 | | HEX WASHER HEAD MACHINE SCREW, 1/4-20 X 5/8" | 4 |
| 7 | 1016202 | | "E" RING | 3 |
| 8 | 1015408 | | CLEVIS PIN, GOVERNOR CABLE | 2 |
| 9 | 1014413 | | HAIR SPRING COTTER - 1/8 I.D. X 5/8" | 2 |
| 10 | 1015411 | | SUPPORT BRACKET | 1 |
| 11 | 1016456 | | FLANGED BOLT | 1 |
| 12 | 1016057 | | THROTTLE CABLE CLAMP | 1 |
| 13 | 1015845 | | GOVERNOR CABLE BRACKET, ENGINE | 1 |

7



Section 8
EXHAUST SYSTEM



EXHAUST SYSTEM

EXHAUST SYSTEM

G

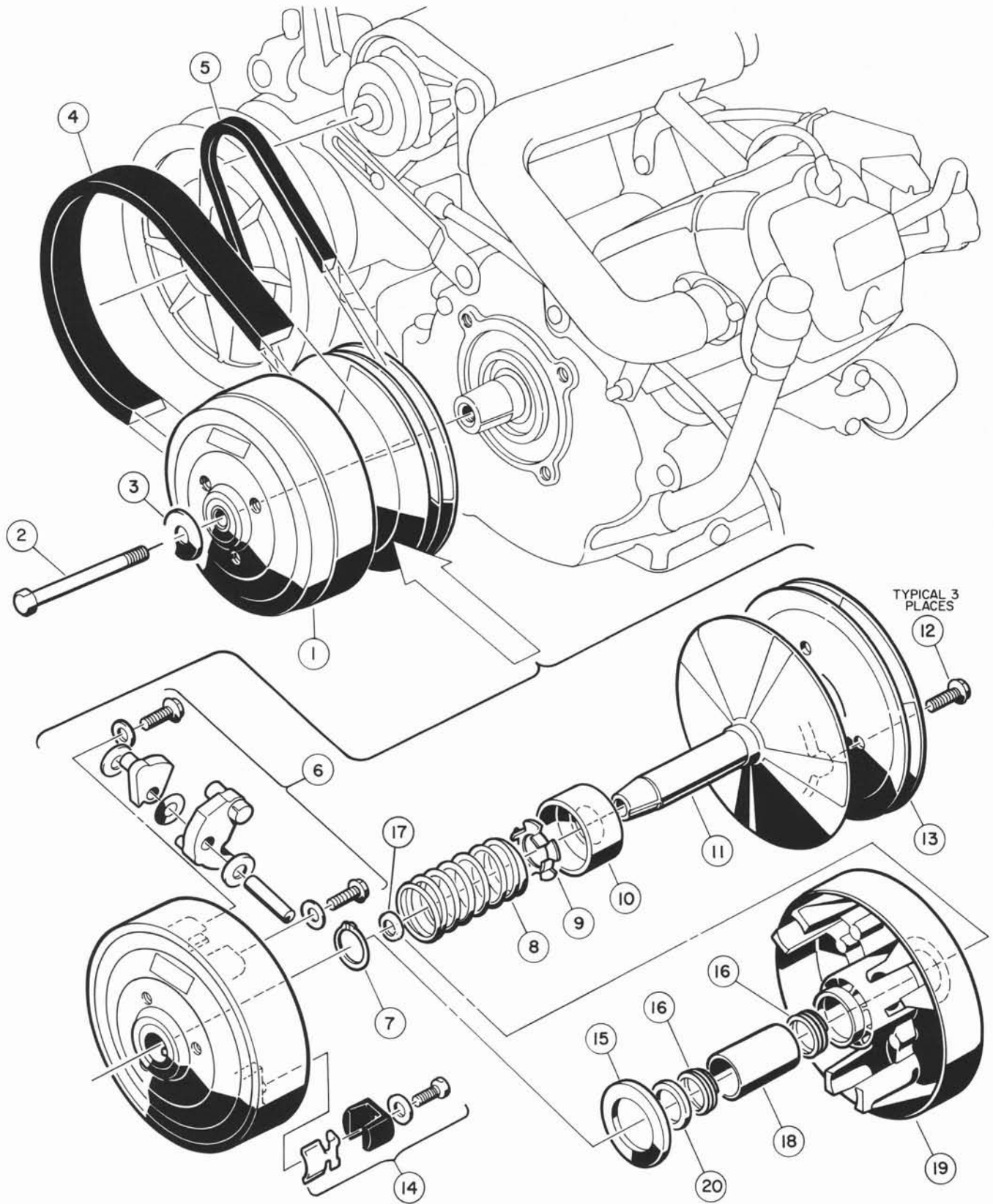
| ITEM NUMBER | PART NUMBER | 1 2 3 4 | DESCRIPTION | UNITS PER VEHICLE |
|----------------|----------------|---------|---|-------------------------|
| 1 | 1017491 | | MUFFLER | 1 |
| 2 | 1015814 | | MUFFLER BRACKET | 1 |
| 3 | 332 | | FLATWASHER, 1/4 DIAMETER | 2 |
| 4 | 451 | | LOCKWASHER, 1/4 DIAMETER | 2 |
| 5 | 7847 | | HEX HEAD CAP SCREW, 1/4-20 X 3/4" | 2 |
| 6 | 1017689 | | MUFFLER CLAMP | 1 |
| 7 | 1012830 | | HEX HEAD CAP SCREW, M8-1.25 X 22MM LONG | 1 |
| 8 | 7174 | | LOCKWASHER, 5/16 DIAMETER | 2 |
| 9 | 1011697 | | FLATWASHER, 5/16 DIAMETER | 1 |
| 10 | 1012528 | | HEX NUT, 8MM | 2 |
| 11 | 1013734 | | LOCKWASHER, 8MM | 2 |
| 12 | 1015330 | | GASKET, EXHAUST OHV | 1 |

8



Section 9

TORQUE CONVERTER



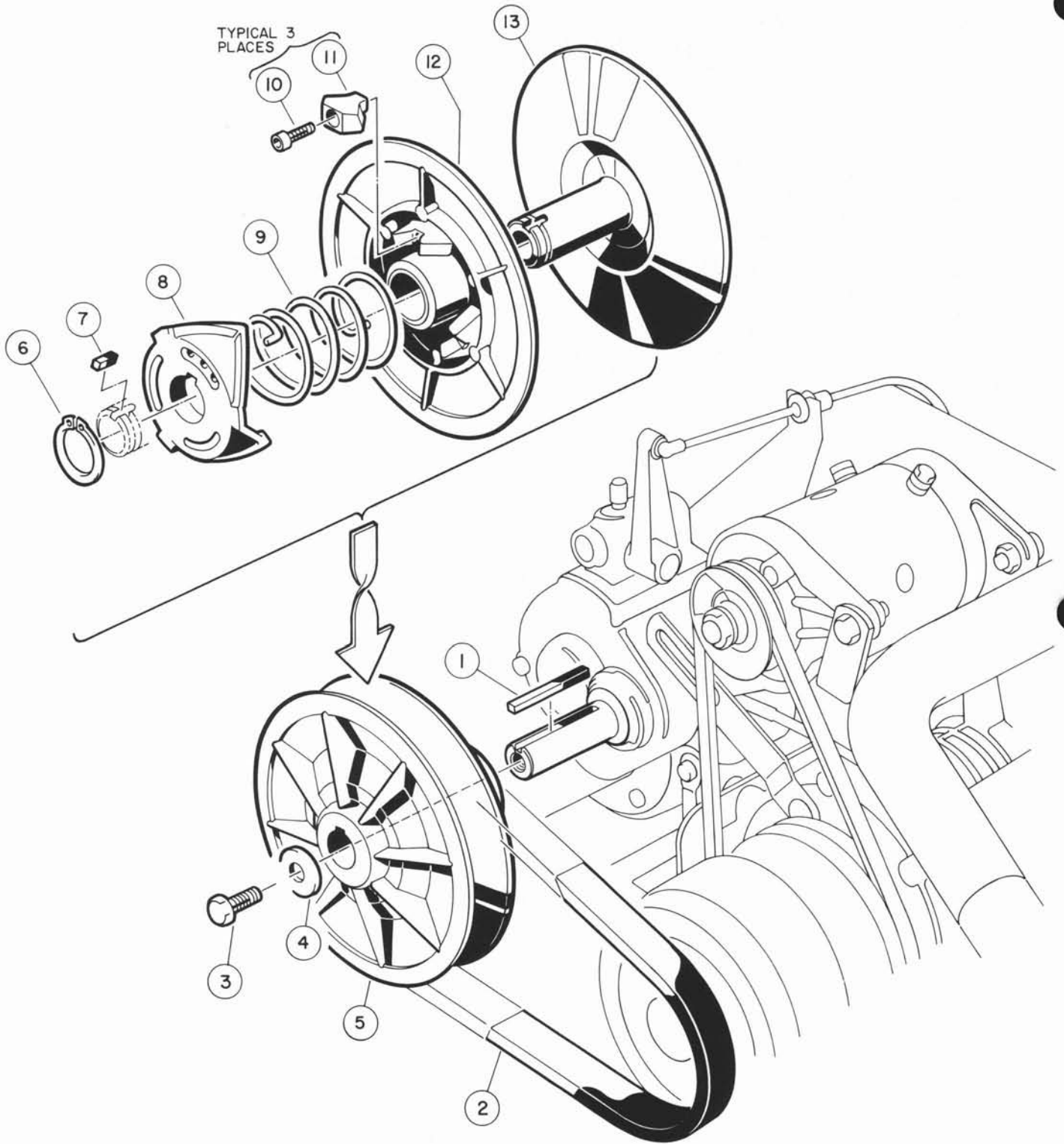
DRIVE CLUTCH ASSEMBLY

DRIVE CLUTCH ASSEMBLY

G

| ITEM NUMBER | PART NUMBER | 1 | 2 | 3 | 4 | DESCRIPTION | UNITS PER VEHICLE |
|-------------|-------------|---|---|---|---|-------------------------------------|-------------------|
| 1 | 1016378-02 | | | | | DRIVE CLUTCH ASSEMBLY | |
| 2 | 1014059 | | | | | DRIVE HUB ASSEMBLY - DRIVE CLUTH | 1 |
| 3 | 1012441 | | | | | HEX HEAD CAP SCREW, 3/8-24 X 5-1/2" | 1 |
| 3 | 1017328 | | | | | DRIVE CLUTCH MOUNTING WASHER | 1 |
| 4 | 1016203 | | | | | DRIVE BELT | 1 |
| 5 | 1014290 | | | | | STARTER/GENERATOR BELT | 1 |
| 6 | 1016801 | | | | | DRIVE CLUTCH WEIGHT KIT | 1 |
| 7 | 1014057 | | | | | RETAINING RING | 1 |
| 8 | 1014051 | | | | | SPRING - DRIVE CLUTCH | 1 |
| 9 | 1014050 | | | | | SPRING RETAINING | 1 |
| 10 | 1014049 | | | | | IDLER BEARING | 1 |
| 11 | 1017383-01 | | | | | FIXED FACE - DRIVE | 1 |
| | | | | | | INCLUDES ITEMS 12 AND 13 | |
| 12 | 1014288 | | | | | SCREW, WASH HEAD HEX | 3 |
| 13 | N/A | | | | | PULLEY | 1 |
| 14 | 1014453 | | | | | DRIVE CLUTCH BUTTON KIT | 1 |
| 15 | 1014058 | | | | | THRUST WASHER | 1 |
| 16 | 1014056 | | | | | SPIRAL - BACK-UP RING | 2 |
| 17 | 1016289 | | | | | FIXED FACE SHAFT SPACER | 1 |
| 18 | NO # | | | | | BUSHING (SEE ITEM 19) | 1 |
| 19 | 1014052 | | | | | MOVABLE FACE ASSEMBLY | 1 |
| | | | | | | INCLUDES ITEMS 17 AND 18 | |
| 20 | 1014055 | | | | | RETAINER | 1 |

9



DRIVEN CLUTCH ASSEMBLY

DRIVEN CLUTCH ASSEMBLY

G

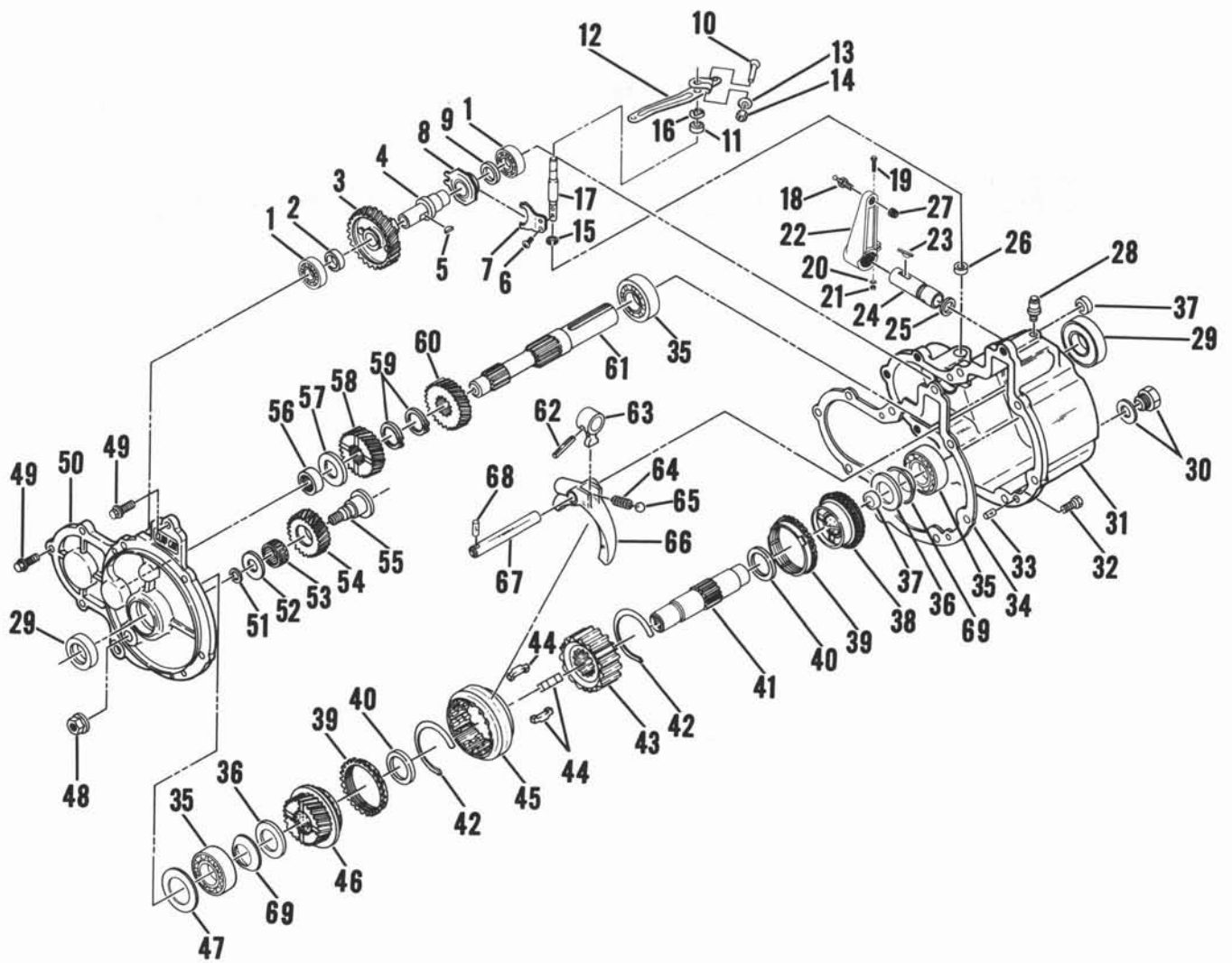
| ITEM NUMBER | PART NUMBER | DESCRIPTION | | | | UNITS PER VEHICLE |
|-------------|-------------|---|---|---|---|-------------------|
| | | 1 | 2 | 3 | 4 | |
| 1 | 1012455 | SQUARE KEY, TRANSMISSION | | | | |
| 2 | 1016203 | DRIVE BELT | | | | 1 |
| 3 | 7173 | HEX HEAD CAP SCREW, 5/16-18 X 3/4" | | | | 1 |
| 4 | 1017327 | DRIVEN CLUTCH MOUNTING WASHER | | | | 1 |
| 5 | 1016360-01 | DRIVEN CLUTCH ASSEMBLY INCLUDES ITEMS 6 THRU 13 | | | | 1 |
| 6 | 1014080 | RETAINING RING | | | | 1 |
| 7 | 1014078 | KEY, DRIVEN CLUTCH | | | | 1 |
| 8 | 1017686 | CAM DRIVEN CLUTCH | | | | 1 |
| 9 | 1017732 | SPRING DRIVEN CLUTCH | | | | 1 |
| 10 | NO # | SOC HEAD CAP SCREW, #8-32 X 3/4" (SEE ITEM 11) | | | | 3 |
| 11 | 1014454 | DRIVEN CLUTCH BUTTON KIT INCLUDES (3) OF ITEMS 10 AND 11 | | | | 1 |
| 12 | 1014072 | MOVABLE FACE ASSEMBLY W/BUSHING | | | | 1 |
| 13 | 1014458 | FIXED FACE ASSEMBLY | | | | 1 |

9



Section 10

TRANSMISSION AND GOVERNOR



TRANSMISSION ASSEMBLY

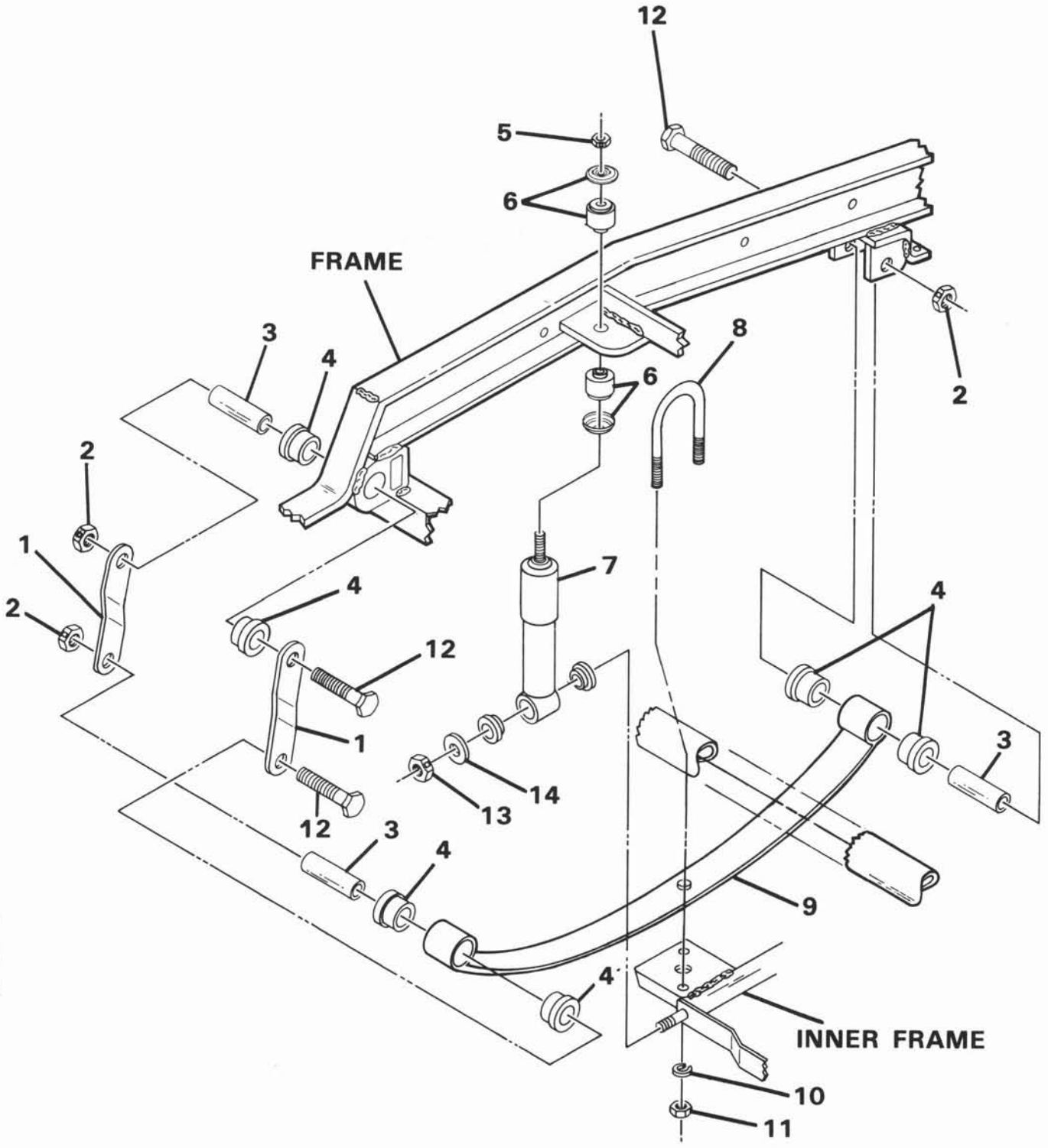
TRANSMISSION ASSEMBLY

| ITEM NUMBER | PART NUMBER | DESCRIPTION | UNITS |
|----------------|----------------|--|----------------|
| | | | PER VEHICLE |
| | | 1 2 3 4 | |
| | 1015747 | TRANSMISSION ASSEMBLY | 1 |
| 1 | 1012761 | BALL BEARING | 2 |
| 2 | 1012759 | SPACER-THICK | 1 |
| 3 | 1012755 | GOVERNOR GEAR, 41 TOOTH | 1 |
| 4 | 1016598 | GOVERNOR SHAFT | 1 |
| 5 | 1012760 | GOVERNOR SHAFT KEY | 1 |
| 6 | 1012764 | SCREW, M4 X 0.7 X 6MM LONG | 2 |
| 7 | 1012763 | GOVERNOR ARM, INTERNAL | 1 |
| 8 | 1012757 | GOVERNOR SLEEVE | 1 |
| 9 | 1012758 | SPACER-THIN | 1 |
| 10 | 1016540 | BOLT, M6 X 1 X 25MM HEX | 1 |
| 11 | 1012772 | GOVERNOR ARM PIVOT | 1 |
| 12 | 1015710 | GOVERNOR LEVER ARM, OHV | 1 |
| 13 | 1016513 | FLATWASHER | 1 |
| 14 | 1012770 | NUT, M6 X 1 | 1 |
| 15 | 1012766 | SNAP RING | 2 |
| 16 | 1012765 | WASHER | 1 |
| 17 | 1012762 | GOVERNOR ARM SHAFT | 1 |
| 18 | 1010954 | BALL STUD, 1/4-28 | 1 |
| 19 | 1017082 | SLOT HEX SCREW, #10-32 X 3/4" | 1 |
| 20 | 183 | FLATWASHER, 3/16 DIAMETER | 1 |
| 21 | 1013061 | NYLON LOCKNUT, #10-32 | 1 |
| 22 | 1016341 | TRANSMISSION SHIFTER LEVER | 1 |
| 23 | 1017231 | KEY, WOODRUF | 1 |
| 24 | 1012751 | SHIFTER SHAFT | 1 |
| 25 | 1012754 | O-RING | 1 |
| 26 | 1012767 | OIL SEAL | 1 |
| 27 | 8717 | NYLON LOCKNUT, 1/4-28 | 1 |
| 28 | 1012711 | BREATHER | 1 |
| 29 | 1012714 | OIL SEAL | 2 |
| 30 | 1013759 | FILL PLUG WITH GASKET | 1 |
| 31 | 1013960 | GEAR CASE W/O LOCKOUT OPENING | 1 |
| 32 | 1012719 | HEX HEAD CAP SCREW, M6 X 1 X 14MM LONG | 1 |
| 33 | 1012710 | DOWEL PIN | 2 |
| 34 | 1012717 | CASE GASKET | 1 |
| 35 | 7336 | BALL BEARING | 3 |
| 36 | 1016337 | THRUST WASHER | 2 |
| 37 | 1012735 | PLUG | 2 |
| 38 | 1016591 | GEAR ASSEMBLY, 29 TOOTH | 1 |
| 39 | 1012742 | SYNCHRONIZER RING | 2 |
| 40 | 1012743 | THRUST WASHER | 2 |
| 41 | 1012734 | OUTPUT SHAFT | 1 |
| 42 | 1012741 | SYNCHRO RING | 2 |
| 43 | 1012738 | CLUTCH HUB | 1 |
| 44 | 1012740 | SYNCHRO INSERT | 3 |
| 45 | 1012739 | SLEEVE | 1 |
| 46 | 1012737 | GEAR ASSEMBLY, 34 TOOTH | 1 |
| 47 | 1012783 | SHIM 0.2MM | A/R |
| 48 | 1012784 | SHIM 0.1MM | A/R |
| 49 | 1012733 | FLANGE NUT, M8 X 1.25 | 1 |
| 50 | 1012718 | HEX HEAD CAP SCREW, M6 X 1 X 20MM LONG | 4 |
| 50 | 1016592 | COVER | 1 |
| 51 | 1012732 | O-RING | 1 |
| 52 | 1012730 | THRUST WASHER | 1 |
| 53 | 1012731 | NEEDLE BEARING | 1 |
| 54 | 1012729 | REVERSE IDLER GEAR | 1 |
| 55 | 1012728 | IDLER SHAFT | 1 |
| 56 | 1012716 | NEEDLER BEARING | 1 |
| 57 | 1012723 | THRUST WASHER, 3.0MM | A/R |
| 58 | 1012724 | THRUST WASHER, 3.3MM WHITE | A/R |
| 59 | 1012725 | THRUST WASHER, 3.6MM YELLOW | A/R |
| 60 | 1012722 | GEAR, 25 TOOTH | 1 |
| 61 | 1012727 | SNAP RING | 2 |
| 61 | 1016594 | GEAR, 28 TOOTH | 1 |
| 61 | 1012720 | INPUT SHAFT | 1 |
| 62 | 1012752 | ROLL PIN | 1 |
| 63 | 1012750 | SHIFTER ARM LEVER, INSIDE | 1 |
| 64 | 1012748 | SHIFTER SPRING | 1 |
| 65 | 1012747 | SHIFTER BALL | 1 |
| 66 | 1012746 | SLEEVE SHIFT ARM | 1 |
| 67 | 1012745 | SHIFT ROD | 1 |
| 68 | 1012749 | ROLL PIN | 1 |
| 69 | 1016338 | SPRING WASHER | 2 |



Section 11

REAR SUSPENSION



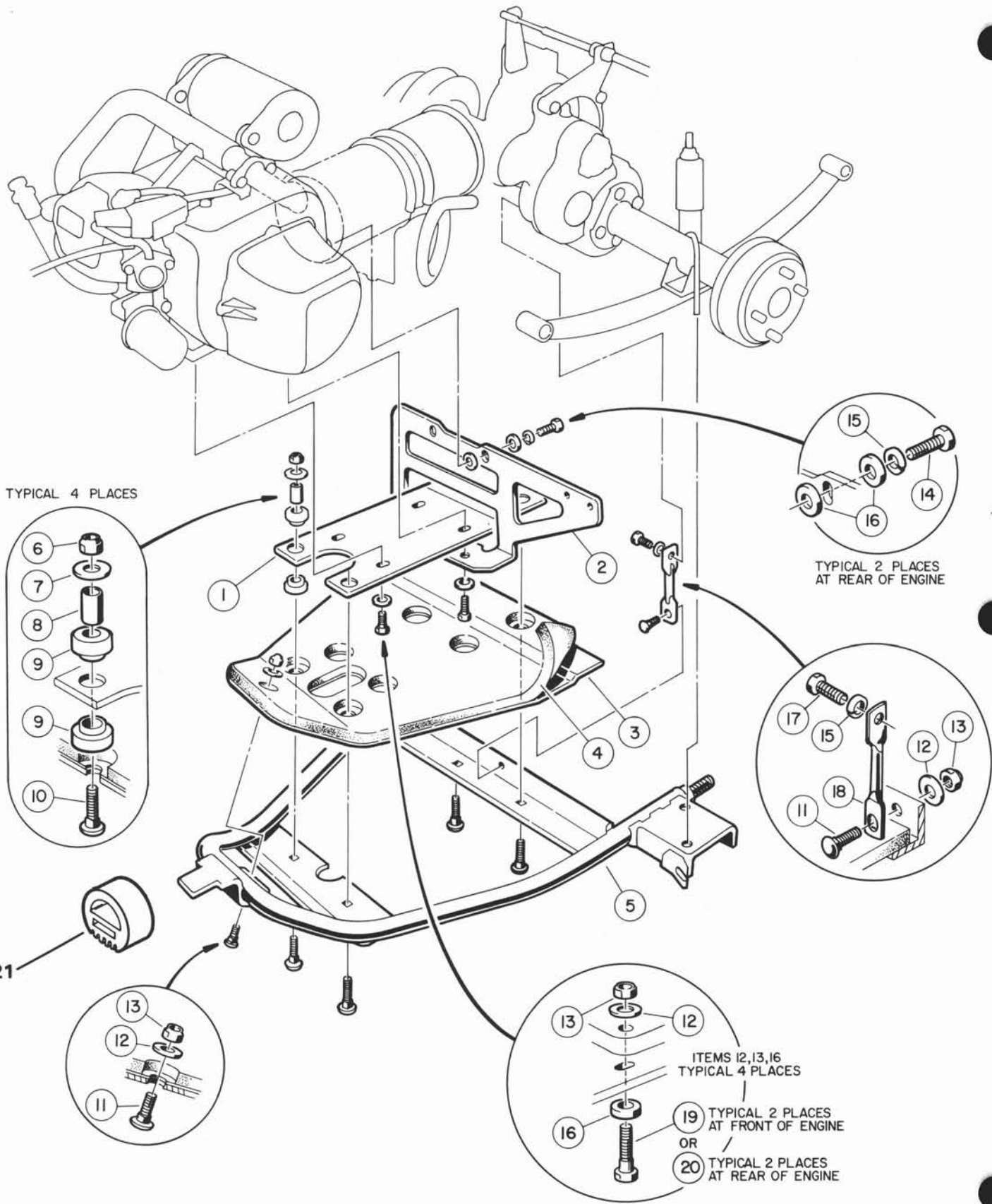
REAR SUSPENSION ASSEMBLY

REAR SUSPENSION ASSEMBLY

G

| ITEM NUMBER | PART NUMBER | DESCRIPTION | UNITS PER VEHICLE |
|-------------|-------------|--|-------------------|
| 1 | 1012304 | REAR SPRING SHACKLE | 4 |
| 2 | 8754 | NYLON LOCKNUT, 3/8-16 | 6 |
| 3 | 1012303 | STEEL BUSHING | 4 |
| 4 | 1015583 | URETHANE BUSHING | 12 |
| 5 | 1010145 | HEX NUT, 3/8-24, SHOCK ABSORBER | 2 |
| 6 | 1011415 | SHOCK ABSORBER CUSHION KIT | 2 |
| 7 | 1014234 | SHOCK ABSORBER KIT - GASOLINE VEHICLE | 1 |
| 8 | 1012180 | "U" BOLT | 2 |
| 9 | 1012324 | REAR LEAF SPRING | 2 |
| 10 | 357 | FLATWASHER, 7/16 DIAMETER | 4 |
| 11 | 706 | NYLON LOCKNUT, 7/16-14 | 8 |
| 12 | 8755 | HEX HEAD CAP SCREW, 3/8-16 X 3-3/8" | 6 |
| 13 | 1010188 | DIMPLED LOCKNUT, 5/8-11 | 2 |
| 14 | 1010193 | FLATWASHER, 5/8 DIAMETER | 2 |
| 15 | 1012781 | SHOCK ABSORBER KIT (NOT SHOWN) (INCLUDES ITEMS 6 AND 7) | 1 |

11



INNER FRAME ASSEMBLY

INNER FRAME ASSEMBLY

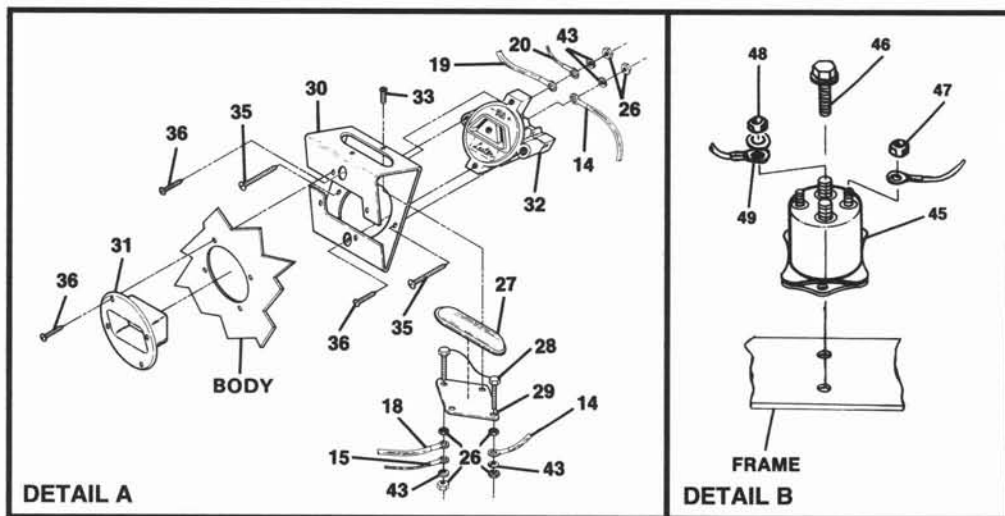
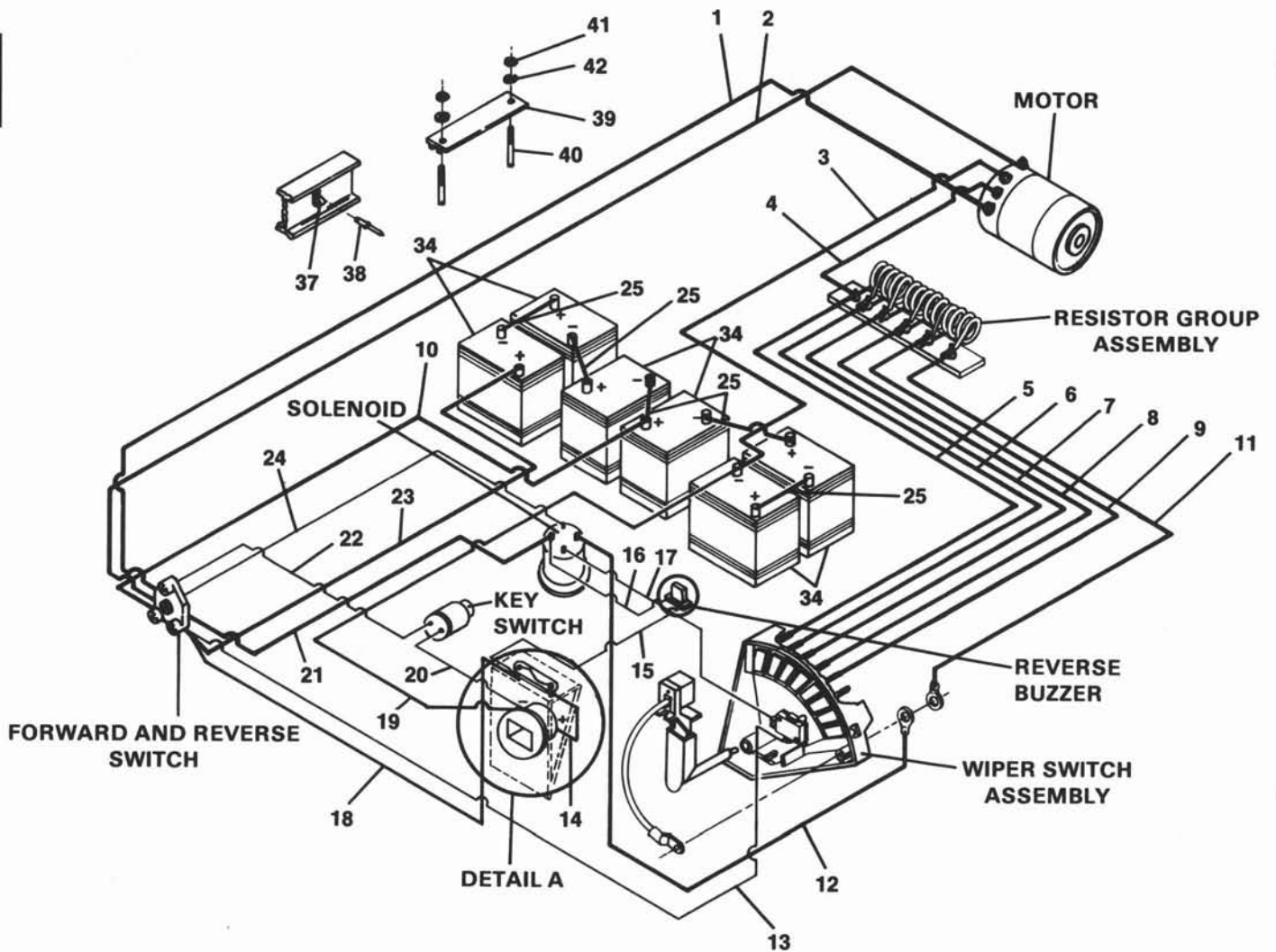
G

| ITEM NUMBER | PART NUMBER | 1 | 2 | 3 | 4 | DESCRIPTION | UNITS PER VEHICLE |
|-------------|-------------|---|---|---|---|--|-------------------|
| 1 | 1016010 | | | | | INNER FRAME MOUNTING PLATE | 1 |
| 2 | 1016206 | | | | | MUFFLER MOUNTING PLATE | 1 |
| 3 | 1016196 | | | | | BELLY PAN | 1 |
| 4 | 1016197 | | | | | SOUND INSULATION | 1 |
| 5 | 1016870 | | | | | INNER FRAME WELD ASSEMBLY | 1 |
| 6 | 8754 | | | | | NYLON LOCKNUT INSERT, 3/8-16 | 4 |
| 7 | 808 | | | | | FLATWASHER, 3/8 DIAMETER | 4 |
| 8 | 1017033 | | | | | STEEL BUSHING | 4 |
| 9 | 1016810 | | | | | ENGINE MOUNTS | 8 |
| 10 | 1012428 | | | | | ROUND HEAD SQUARE NECK BOLT, 3/8-16 X 2-1/4" | 4 |
| 11 | 1015932 | | | | | ROUND HEAD SQUARE NECK BOLT, 5/16-18 X 1" | 1 |
| 12 | 1241 | | | | | FLATWASHER, 5/16 DIAMETER | 5 |
| 13 | 7473 | | | | | NYLON LOCKNUT, 5/16-18 | 5 |
| 14 | 1015709 | | | | | HEX HEAD CAP SCREW, M8 X 1.25 X 30MM LONG | 2 |
| 15 | 7174 | | | | | LOCKWASHER, 5/16 DIAMETER | 3 |
| 16 | 1012571 | | | | | HEAVY FLATWASHER, 5/16 DIAMETER | 8 |
| 17 | 1010577 | | | | | HEX HEAD CAP SCREW, 5/16-18 X 1-1/2" | 1 |
| 18 | 1016200-02 | | | | | TRANSMISSION STRAP SUPPORT | 1 |
| 19 | 8963 | | | | | HEX HEAD CAP SCREW, 5/16-18 X 1-3/4" | 2 |
| 20 | 8916 | | | | | HEX HEAD CAP SCREW, 5/16-18 X 2" | 2 |
| 21 | 1012164 | | | | | SNUBBER, INNER FRAME | 1 |

11



Section 12
ELECTRICAL



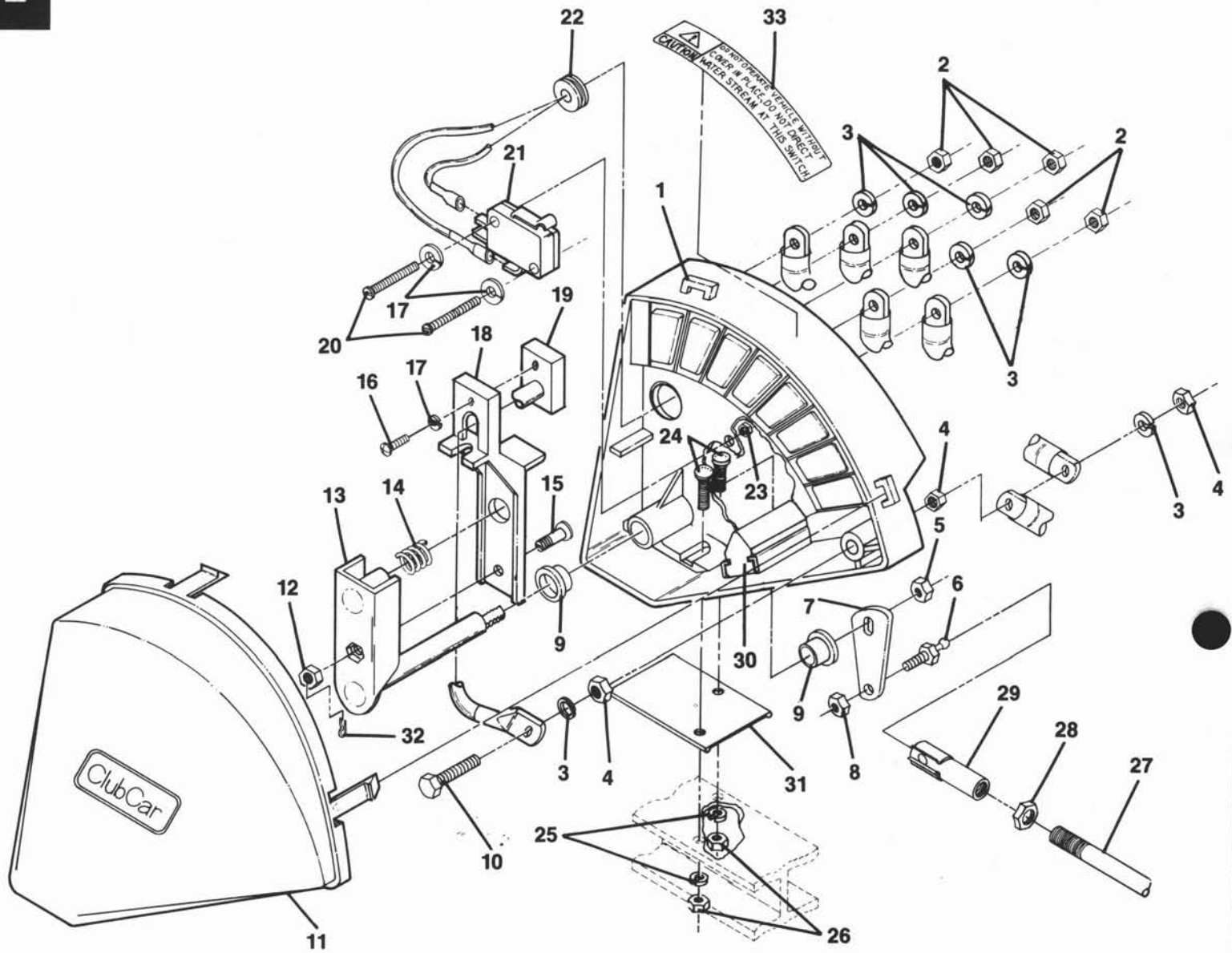
POWER WIRING - ELECTRIC WIRING

POWER WIRING - ELECTRIC WIRING

| ITEM NUMBER | PART NUMBER | DESCRIPTION | | | | UNITS PER VEHICLE |
|-------------|-------------|--|---|---|---|-------------------|
| | | 1 | 2 | 3 | 4 | |
| 1 | 1016070 | WIRE ASSEMBLY #6 BROWN | | | | 1 |
| 2 | 1016069 | WIRE ASSEMBLY #6 PURPLE | | | | 1 |
| 3 | 1012651 | WIRE ASSEMBLY #6 BLACK | | | | 1 |
| 4 | 1016068 | WIRE ASSEMBLY #6 GRAY | | | | 1 |
| 5 | 1014036 | WIRE ASSEMBLY #6 BLACK | | | | 1 |
| 6 | 1014035 | WIRE ASSEMBLY #6 BLUE, 6TH SPEED | | | | 1 |
| 7 | 1014034 | WIRE ASSEMBLY #6 GREEN, 5TH SPEED | | | | 1 |
| 8 | 1014033 | WIRE ASSEMBLY #6 YELLOW, 4TH SPEED | | | | 1 |
| 9 | 1014032 | WIRE ASSEMBLY #6 ORANGE, 3RD SPEED | | | | 1 |
| 10 | 1014828 | WIRE ASSEMBLY #6 GREEN | | | | 1 |
| 11 | 1014030 | WIRE ASSEMBLY #6 WHITE, 1ST SPEED | | | | 1 |
| 12 | 1014029 | WIRE ASSEMBLY #6 WHITE | | | | 1 |
| 13 | 1014022 | WIRE ASSEMBLY #18 RED | | | | 1 |
| 14 | 1013092 | WIRE ASSEMBLY #10 RED | | | | 1 |
| 15 | 1014024 | WIRE ASSEMBLY #18 ORANGE | | | | 1 |
| 16 | 1012230 | WIRE ASSEMBLY #18 WHITE | | | | 1 |
| 17 | 1014023 | WIRE ASSEMBLY #18 GREEN | | | | 1 |
| 18 | 1012237 | WIRE ASSEMBLY #10 RED | | | | 1 |
| 19 | 1011010 | WIRE ASSEMBLY #10 WHITE | | | | 1 |
| 20 | 1011007 | WIRE ASSEMBLY #18 RED | | | | 1 |
| 21 | 1014039 | WIRE ASSEMBLY #6 WHITE | | | | 1 |
| 22 | 1011006 | WIRE ASSEMBLY #18 BLUE | | | | 1 |
| 23 | 1011069 | WIRE ASSEMBLY #6 RED | | | | 1 |
| 24 | 1014040 | WIRE ASSEMBLY #18 YELLOW | | | | 1 |
| 25 | 1010958 | WIRE ASSEMBLY #6 BLACK | | | | 5 |
| 26 | 8797 | BRASS NUT, #10-32 | | | | 6 |
| 27 | 1012143 | FUSE LENS | | | | 1 |
| 28 | 1012085 | FUSE, 80 AMP | | | | 1 |
| 29 | 1012142 | FUSE HOLDER | | | | 1 |
| 30 | 1013628 | FUSE AND RECEPTACLE MOUNTING BRACKET | | | | 1 |
| 31 | 1013649 | CHARGER RECEPTACLE BEZEL | | | | 1 |
| 32 | 4107 | CHARGER RECEPTACLE, 2 PRONG | | | | 1 |
| 33 | 1013266 | PHILLIPS HEAD SCREW, #8-18 X 1/2" | | | | 2 |
| 34 | 1016616-01 | CLUB CAR 6 VOLT BATTERY | | | | 6 |
| 35 | 8795 | PHILLIPS PAN HEAD SELF TAPPING SCREW, #7 X 1-3/4" | | | | 2 |
| 36 | 8796 | PHILLIPS PAN HEAD SELF TAPPING SCREW, #7 X 3/4" | | | | 6 |
| 37 | 1012022 | CABLE CLAMP | | | | 3 |
| 38 | 1606 | POP RIVET, 3/16 DIAMETER | | | | 3 |
| 39 | 1010908 | BATTERY HOLD DOWN | | | | 3 |
| 40 | 1013683 | J BOLT | | | | 6 |
| 41 | 1014304 | UNC S.S. HEX NUT, 5/16-18 | | | | 18 |
| 42 | 1011578 | TYPE B FLATWASHER, 5/16 | | | | 6 |
| 43 | 1016 | SPLIT LOCKWASHER, #10 | | | | 4 |
| 44 | 1014516 | FUSE LINK KIT (NOT SHOWN) INCLUDES ITEMS 26, 27, 28, 29, AND 43 | | | | 1 |
| 45 | 8016 | SOLENOID - 36 VOLT | | | | 1 |
| 46 | 1012285 | THREAD ROLLING SCREW, 1/4-20 X 5/8" | | | | 2 |
| 47 | 7893 | HEX NUT, #10-32 | | | | 2 |
| 48 | 1242 | HEX NUT, 5/16 X 18 | | | | 2 |
| 49 | 7174 | HELICAL SPRING WASHER, 5/16 DIAMETER | | | | 2 |

E

12



V-GLIDE WIPER SWITCH

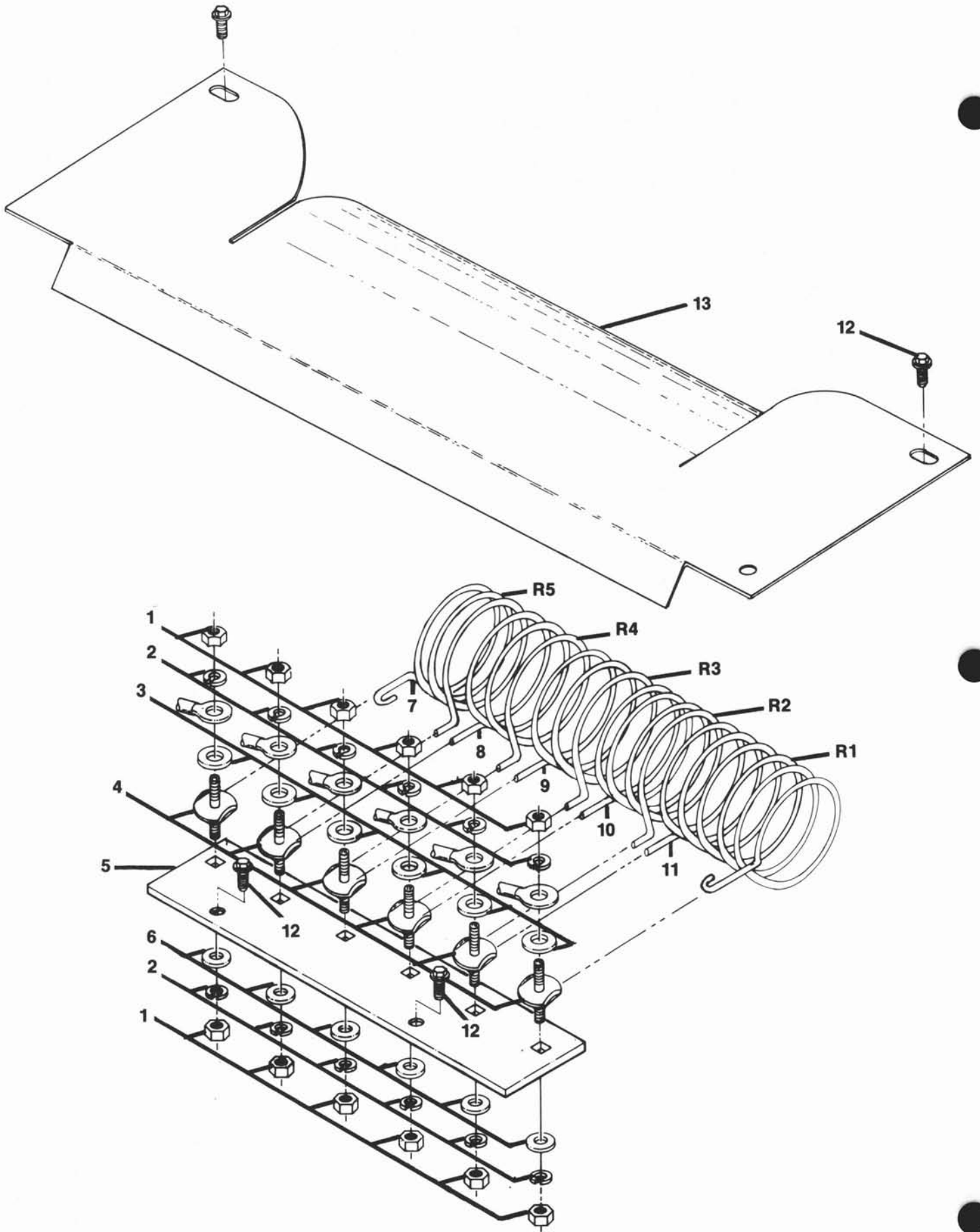
V-GLIDE WIPER SWITCH

| ITEM NUMBER | PART NUMBER | 1 2 3 4 | DESCRIPTION | UNITS PER VEHICLE |
|----------------|----------------|---------|---|-------------------------|
| | 1016140 | | V-GLIDE WIPER SWITCH ASSEMBLY INCLUDES ITEMS 1 THRU 23, 30, 32, AND 33 | 1 |
| 1 | 1014999 | | WIPER SWITCH CASE ASSEMBLY, 6 SPEED | 1 |
| 2 | 1014 | | UNC BRASS HEX NUT, 1/4-20 | 5 |
| 3 | 451 | | SPLIT LOCKWASHER, 1/4 DIAMETER | 7 |
| 4 | 1014253 | | BRASS HEX JAM NUT, 1/4-20 | 3 |
| 5 | 7473 | | UNC NYLON LOCKNUT, 5/16-18 | 1 |
| 6 | 1012353 | | SHORT BALL STUD, 1/4-28 X 1/4" | 1 |
| 7 | 1014003 | | SWITCH BELL CRANK | 1 |
| 8 | 8449 | | DIMPLED LOCKNUT, 1/4-28 | 1 |
| 9 | 1012903 | | BRONZE BEARING, 3/8 X 1/2" | 2 |
| 10 | 1014189 | | BRONZE HEX HEAD CAP SCREW, 1/4-20 X 2" | 1 |
| 11 | 1013886 | | WIPER SWITCH CASE COVER | 1 |
| 12 | 7893 | | UNF HEX NUT, #10-32 | 1 |
| 13 | 1014017 | | WIPER SWITCH ARM CARRIER | 1 |
| 14 | 1013998 | | WIPER SWITCH BRUSH SPRING | 1 |
| 15 | 1014000 | | WIPER SWITCH ADJUSTING STUD | 1 |
| 16 | 1014019 | | SELF-TAPPING SCREW, #4-40 X 3/8" | 1 |
| 17 | 8058 | | SPLIT LOCKWASHER, #4 | 3 |
| 18 | 1013887 | | SPEED SWITCH ARM | 1 |
| 19 | 1013860 | | SWITCH BRUSH ASSEMBLY | 1 |
| 20 | 8056 | | ROUND HEAD MACHINE SCREW, #4-40 X 3/4" | 2 |
| 21 | 1014807 | | LIMIT SWITCH | 1 |
| 22 | 1014010 | | SPLIT GROMMET | 1 |
| 23 | 8057 | | UNC HEX NUT, #4-40 | 2 |
| 24 | 1014109 | | ROUND HEAD SQUARE NECK BOLT, #10-24 X 1" | 2 |
| 25 | 1016175 | | SPLIT LOCKWASHER, #10 | 2 |
| 26 | 1017 | | HEX NUT, #10-24 | 2 |
| 27 | 1014016 | | ACCELERATOR ROD | 1 |
| 28 | 1011084 | | HEX JAM NUT, 1/4-28 | 2 |
| 29 | 1011734 | | BALL JOINT | 2 |
| 30 | 1014414 | | WIPER SWITCH BUMPER | 1 |
| 31 | 1014367 | | WIPER SWITCH SHIM | 1 |
| 32 | 1014413 | | HAIR SPRING COTTER PIN | 1 |
| 33 | 1014660 | | WIPER SWITCH DECAL | 1 |

E

12

E



RESISTOR AND BOARD ASSEMBLY - V-GLIDE

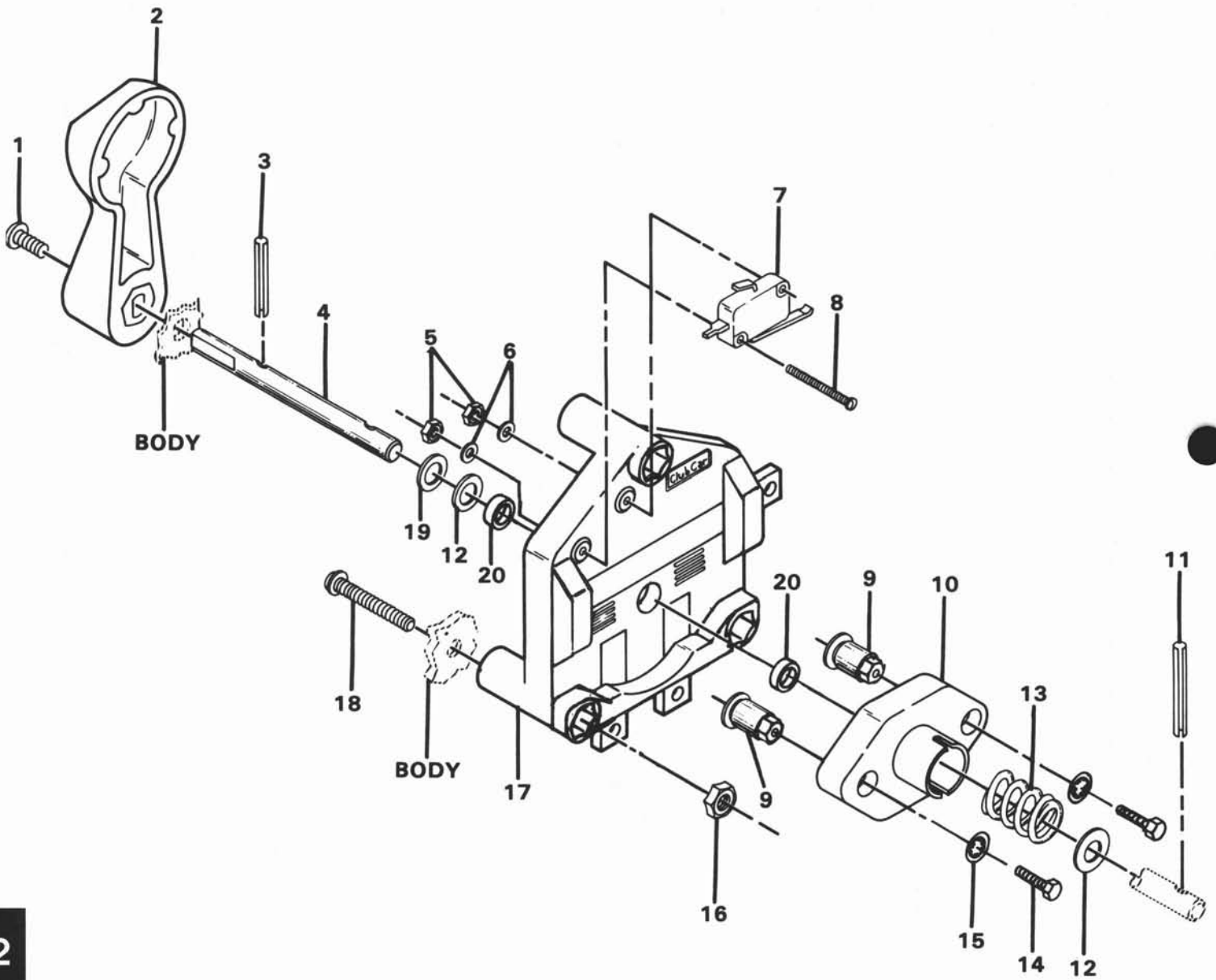
12

RESISTOR AND BOARD ASSEMBLY - V-GLIDE

| ITEM NUMBER | PART NUMBER | DESCRIPTION | UNITS PER VEHICLE |
|----------------|----------------|--|-------------------------|
| 1 | 1028 | UNC HEX NUT, 1/4-20 | 12 |
| 2 | 451 | SPLIT LOCKWASHER, 1/4 DIAMETER | 12 |
| 3 | 1011931 | FLATWASHER, 1/4 DIAMETER | 6 |
| 4 | 1014045 | RESISTOR COIL STANDOFF | 6 |
| 5 | 1014728 | RESISTOR MOUNTING BOARD | 1 |
| 6 | 332 | FLATWASHER, 1/4 DIAMETER | 6 |
| 7 | 1014655 | RESISTOR COIL | 1 |
| 8 | 1014654 | RESISTOR COIL | 1 |
| 9 | 1014013 | RESISTOR COIL | 1 |
| 10 | 1014014 | RESISTOR COIL | 1 |
| 11 | 1014729 | RESISTOR COIL | 1 |
| 12 | 1012285 | UNC THREAD ROLLING SCREW, 1/4-20 X 5/8 | 4 |
| 13 | 1013971 | RESISTOR SHIELD | 1 |

E

12



FORWARD AND REVERSE SWITCH ASSEMBLY - V-GLIDE

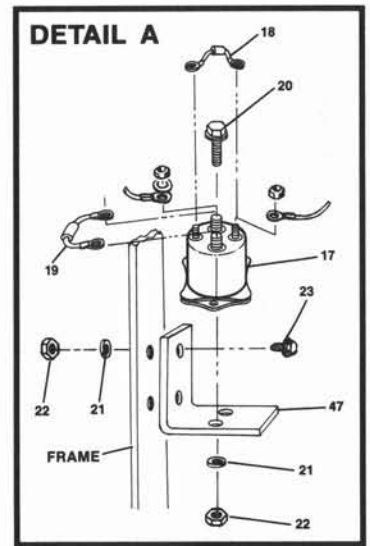
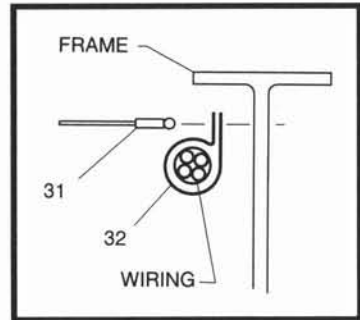
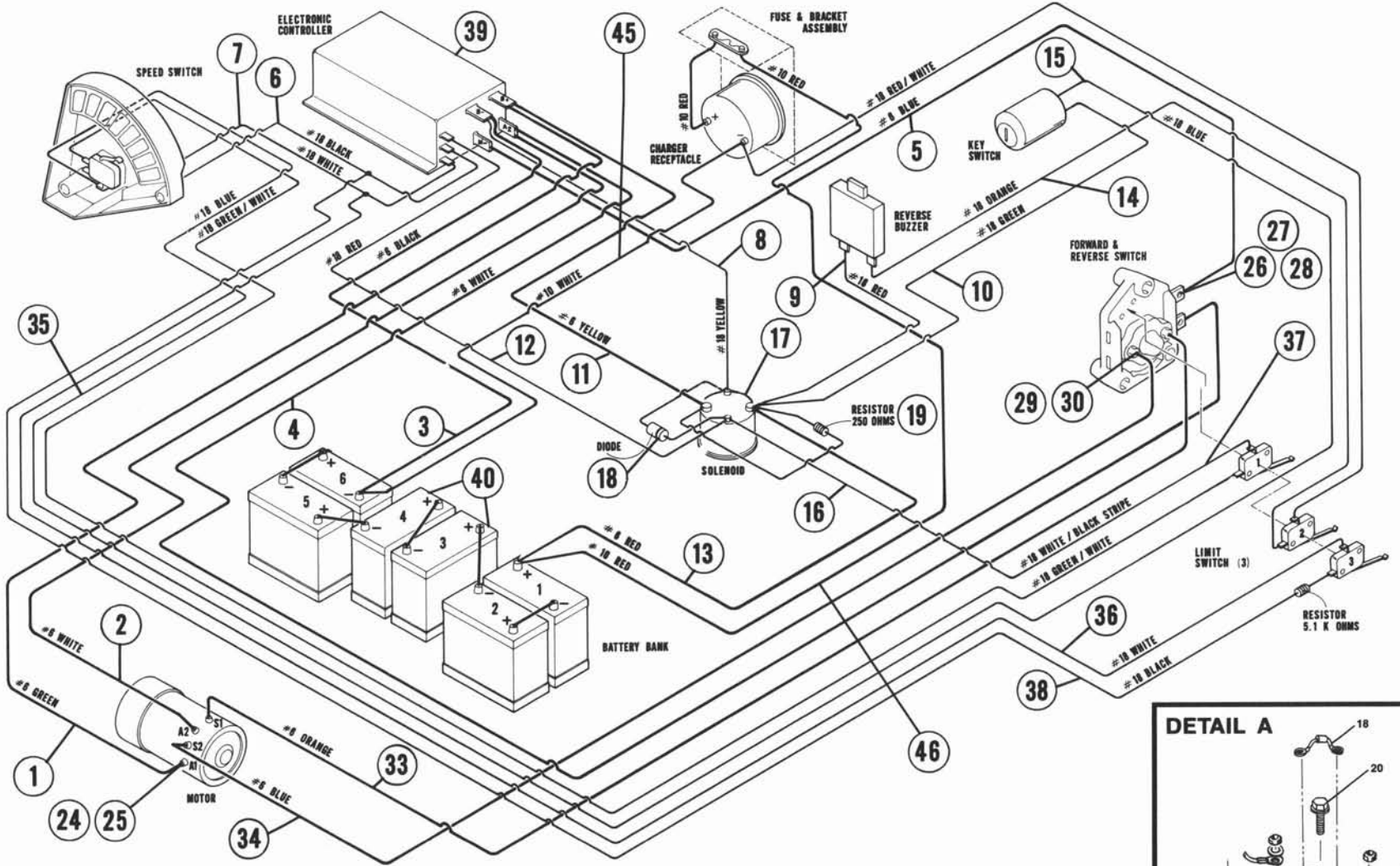
FORWARD AND REVERSE SWITCH ASSEMBLY - V-GLIDE

| ITEM NUMBER | PART NUMBER | 1 2 3 4 | DESCRIPTION | UNITS PER VEHICLE |
|----------------|----------------|---------|--|-------------------------|
| | 1011997 | | FORWARD AND REVERSE SWITCH ASSEMBLY COMPLETE EXCLUDING ITMES 1 AND 2 AND MOUNTING HARDWARE, ITEMS 14, 15, 16, AND 18 | |
| 1 | 1013198 | | PHILLIPS MACHINE SCREWC COUNTERSUNK, #8-32 | 1 |
| 2 | 1012987 | | FORWARD AND REVERSE HANDLE SWITCH | 1 |
| 3 | 1231 | | ROLL PIN, 1/8 X 1" | 1 |
| 4 | 1017529 | | FORWARD AND REVERSE SWITCH SHAFT | 1 |
| 5 | 8057 | | UNC HEX NUT, #4-40 | 2 |
| 6 | 8058 | | LOCKWASHER, #4 | 2 |
| 7 | 1014808 | | FORWARD AND REVERSE LIMIT SWITCH | 1 |
| 8 | 1011991 | | SLOTTED ROUND HEAD SCREW, #4-40 X 1-1/8" | 2 |
| 9 | 8793 | | ROTOR CONTACT | 2 |
| 10 | 1017528 | | FORWARD AND REVERSE ROTOR SWITCH | 1 |
| 11 | 1011993 | | ROLL PIN, 3/16 X 1-3/8" | 1 |
| 12 | 1011990 | | FLATWASHER, 3/8 DIAMETER | 2 |
| 13 | 7627 | | FORWARD AND REVERSE SHAFT SPRING | 1 |
| 14 | 8450 | | HEX HEAD CAP SCREW, #10-24 | 2 |
| 15 | 8049 | | INTERNAL TOOTH LOCKWASHER, #10 | 2 |
| 16 | 8233 | | NYLON LOCKNUT, 1/4-20 | 3 |
| 17 | 1017527 | | FORWARD AND REVERSE SWITCH CASE | 1 |
| 18 | 1011988 | | TRUSS HEAD PHILLIPS SCREW, 1/4-20 X 2" | 3 |
| 19 | 1014065 | | FLAT WASHER (DERLIN), 3/8 DIAMETER | 1 |
| 20 | 1014145 | | BRONZE BUSHING, SECONDARY WEIGHT | 2 |

E

12

POWER WIRING - SOLID STATE CONTROLLER

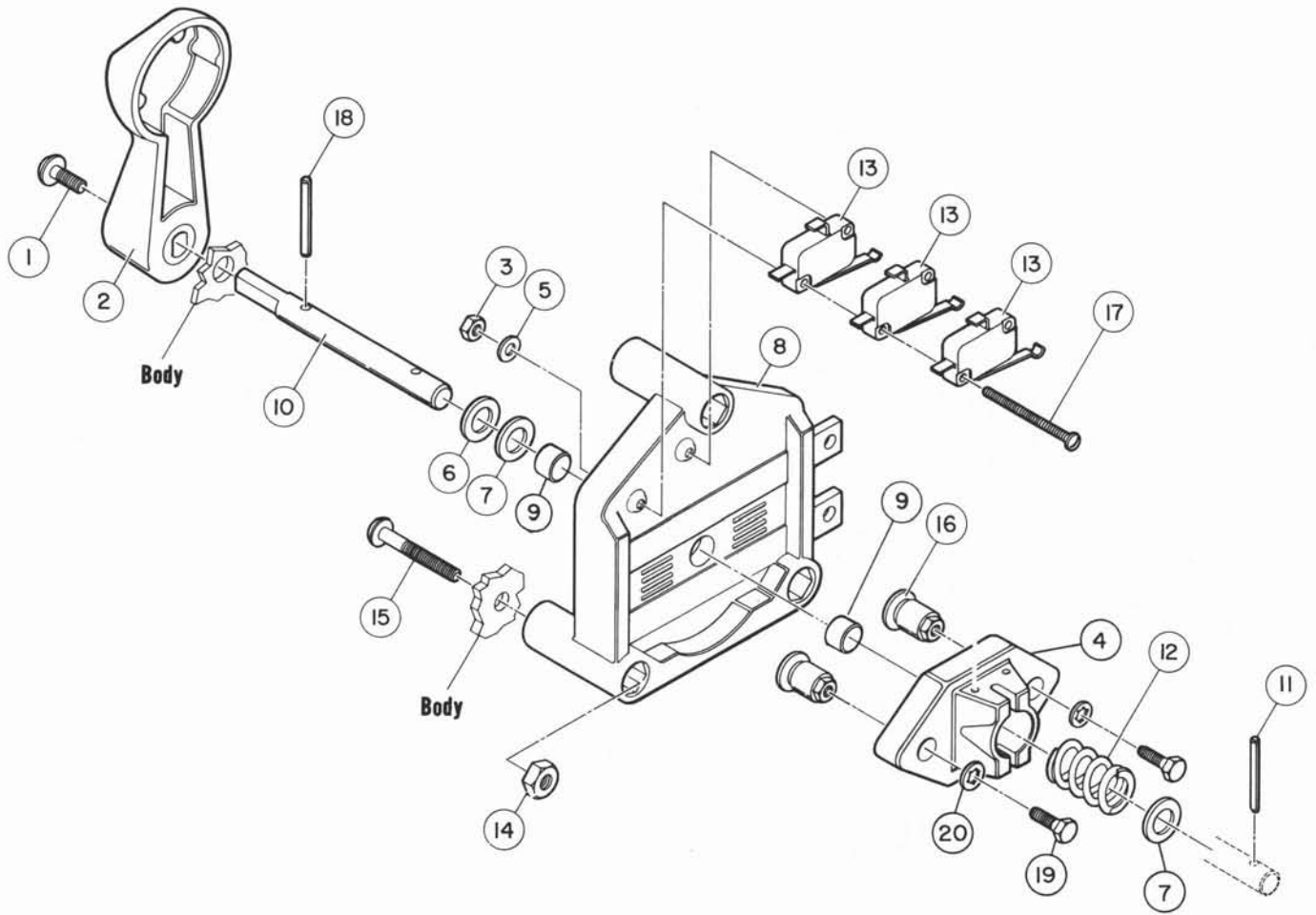


POWER WIRING - SOLID STATE CONTROLLER

| ITEM NUMBER | PART NUMBER | DESCRIPTION | | | | UNITS PER VEHICLE |
|----------------|----------------|--|---|---|---|-------------------------|
| | | 1 | 2 | 3 | 4 | |
| | 1015879 | CONTROLLER WIRING ASSEMBLY | | | | 1 |
| 1 | 1015860 | WIRE ASSEMBLY #6 GREEN | | | | 1 |
| 2 | 1015861 | WIRE ASSEMBLY #6 WHITE | | | | 1 |
| 3 | 1016137 | WIRE ASSEMBLY #6 BLACK | | | | 1 |
| 4 | 1015856 | WIRE ASSEMBLY #6 WHITE | | | | 1 |
| 5 | 1015857 | WIRE ASSEMBLY #6 BLUE | | | | 1 |
| 6 | 1015863 | WIRE ASSEMBLY #18 BLACK | | | | 1 |
| 7 | 1015864 | WIRE ASSEMBLY #18 WHITE | | | | 1 |
| 8 | 1015866 | WIRE ASSEMBLY #18 YELLOW | | | | 1 |
| 9 | 1016135 | WIRE ASSEMBLY #18 RED | | | | 1 |
| 10 | 1016121 | WIRE ASSEMBLY #18 GREEN | | | | 1 |
| 11 | 1015858 | WIRE ASSEMBLY #6 YELLOW | | | | 1 |
| 12 | 1015865 | WIRE ASSEMBLY #18 RED | | | | 1 |
| 13 | 1015859 | WIRE ASSEMBLY #6 RED | | | | 1 |
| 14 | 1016134 | WIRE ASSEMBLY #18 ORANGE | | | | 1 |
| 15 | 1016133 | WIRE ASSEMBLY #18 BLUE | | | | 1 |
| 16 | 1016122 | WIRE ASSEMBLY #18 BLACK/WHITE | | | | 1 |
| 17 | 8016 | SOLENOID - 36 VOLT | | | | 1 |
| 18 | 1014948 | DIODE ASSEMBLY | | | | 1 |
| 19 | 1014947 | RESISTOR ASSEMBLY | | | | 1 |
| 20 | 7847 | HEX HEAD CAP SCREW, 1/4-20 X 3/4" | | | | 2 |
| 21 | 451 | HELICAL SPRING LOCKWASHER, 1/4 DIAMETER | | | | 2 |
| 22 | 1028 | HEX NUT, 1/4-20 | | | | 2 |
| 23 | 1012285 | SCREW, HEX HEAD WASHER | | | | 1 |
| 24 | 7174 | HELICAL SPRING LOCKWASHER, 5/16 DIAMETER | | | | 4 |
| 25 | 1242 | HEX NUT, 5/16-18 | | | | 4 |
| 26 | 403 | HEX HEAD CAP SCREW, 1/4-20 X 5/8" | | | | 2 |
| 27 | 451 | LOCKWASHER, 1/4 DIAMETER | | | | 2 |
| 28 | 1028 | HEX NUT, 1/4-20 | | | | 2 |
| 29 | 8450 | HEX HEAD CAP SCREW, #10-24 X 1/2" | | | | 2 |
| 30 | 8049 | INTERNAL TOOTH LOCKWASHER, #10 | | | | 2 |
| 31 | 1606 | POP RIVET, 3/16 DIAMETER | | | | 3 |
| 32 | 1012022 | CABLE CLAMP (WIRING HARNESS TO FRAME) | | | | 3 |
| 33 | 1014854 | WIRE ASSEMBLY #6 ORANGE | | | | 1 |
| 34 | 1014855 | WIRE ASSEMBLY #6 BLUE | | | | 1 |
| 35 | 1016142 | WIRE ASSEMBLY #18 BLUE | | | | 1 |
| 36 | 1016019 | WIRE ASSEMBLY #18 WHITE | | | | 1 |
| 37 | 1014839 | WIRE ASSEMBLY #18 GREEN/WHITE | | | | 1 |
| 38 | 1016018 | WIRE ASSEMBLY #18 BLACK | | | | 1 |
| 39 | 1014749-01 | ELECTRONIC CONTROLLER | | | | 1 |
| 40 | 1016616-01 | CLUB CAR 6 VOLT BATTERY | | | | 6 |
| 41 | 1010908 | BATTERY HOLD DOWN (NOT SHOWN) | | | | 3 |
| 42 | 1013683 | J BOLT (NOT SHOWN) | | | | 6 |
| 43 | 1014304 | UNC STAINLESS STEEL HEX NUT, 5/16-18 (NOT SHOWN) | | | | 18 |
| 44 | 1011578 | TYPE B FLATWASHER, 5/16 DIAMETER (NOT SHOWN) | | | | 6 |
| 45 | 1011010 | WIRE ASSEMBLY #18 WHITE | | | | 1 |
| 46 | 1015862 | WIRE ASSEMBLY #18 RED | | | | 1 |
| 47 | 1015838 | BRACKET, SOLENOID MTG. | | | | 1 |

E

12



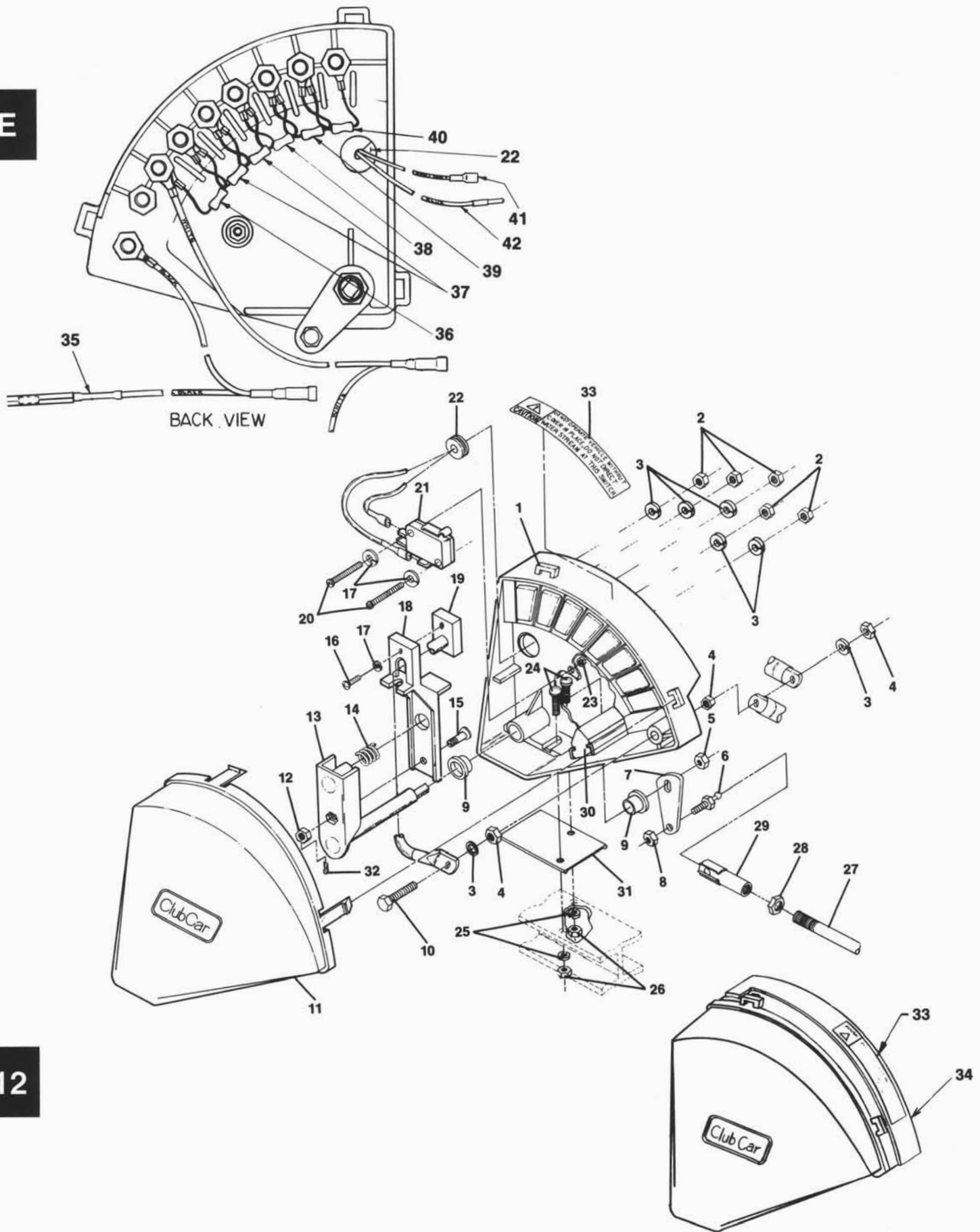
F&R SWITCH - SOLID STATE CONTROLLER

F&R SWITCH - SOLID STATE CONTROLLER

| ITEM NUMBER | PART NUMBER | DESCRIPTION | UNITS PER VEHICLE |
|----------------|----------------|--|-------------------------|
| | | 1 2 3 4 | |
| | 1015846 | F&R SWITCH ASSEMBLY, ELECTRONIC CONTROLLER | |
| 1 | 1013198 | PHILLIPS OVAL COUNTERSUNK MACHINE SCREW, #8-32 | 1 |
| 2 | 1012987 | HANDLE SWITCH, F&R | 1 |
| 3 | 8057 | UNC HEX NUT, #4-40 | 2 |
| 4 | 1017528 | F&R SWITCH ROTOR | 1 |
| 5 | 8058 | #4 LOCKWASHER | 2 |
| 6 | 1014065 | DELTRIN FLATWASHER | 1 |
| 7 | 1011990 | FLATWASHER, 3/8 DIAMETER | 2 |
| 8 | 1017527 | F&R SWITCH CASE | 1 |
| 9 | 1014145 | BUSHING, SECONDARY WEIGHT | 2 |
| 10 | 1017529 | F&R SWITCH SHAFT | 1 |
| 11 | 1011993 | ROLL PIN, 3/16 X 1-3/8" | 1 |
| 12 | 7627 | F&R SHAFT SPRING | 1 |
| 13 | 1014808 | LIMIT SWITCH | 3 |
| 14 | 8233 | HEX NUT, 1/4-20 | 3 |
| 15 | 1011988 | TRUSS HEAD PHILLIPS SCREW, 1/4-20 X 2" | 3 |
| 16 | 8793 | ROTOR CONTACT, F&R | 2 |
| 17 | 1014871 | HEX WASHER HEAD SCREW, #4-40 X 2" | 2 |
| 18 | 1231 | ROLL PIN, 1/8 X 1.00 | 1 |
| 19 | 8450 | HEX HEAD CAP SCREW, #10-34 X 1/2" | 2 |
| 20 | 8049 | INTERNAL TOOTH LOCKWASHER, #10 | 2 |

E

12



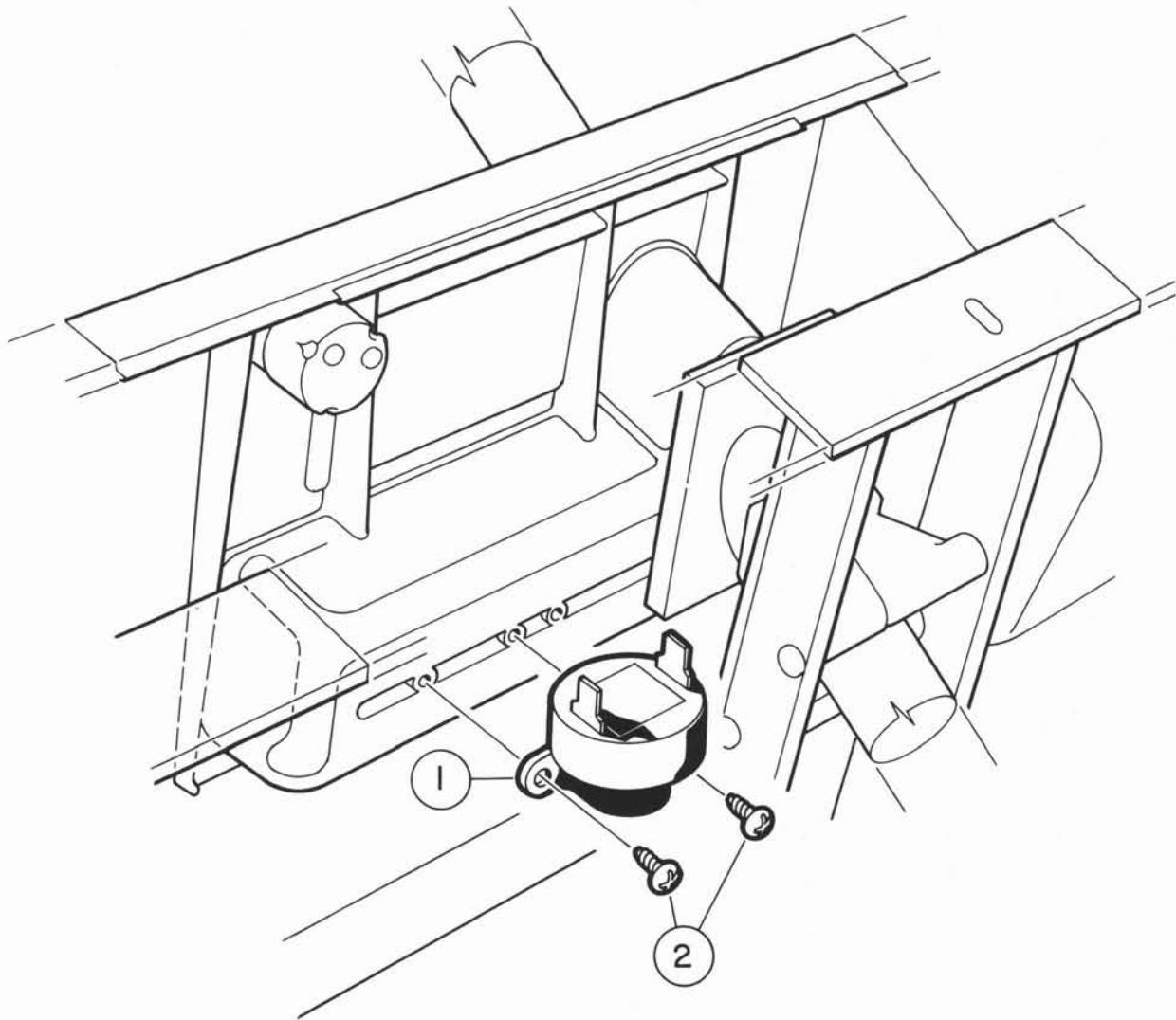
V-GLIDE WIPER SWITCH - SOLID STATE CONTROLLER

V-GLIDE WIPER SWITCH - SOLID STATE CONTROLLER

| ITEM NUMBER | PART NUMBER | 1 2 3 4 | DESCRIPTION | UNITS PER VEHICLE |
|----------------|----------------|---------|---|-------------------------|
| | | | V-GLIDE WIPER SWITCH - SOLID STATE CONTROLLER | |
| 1 | 1014999 | | SPEED CONTROLLER CASE | 1 |
| 2 | 1014 | | UNC BRASS HEX NUT, 1/4-20 | 5 |
| 3 | 451 | | SPLIT LOCKWASHER, 1/4 DIAMETER | 7 |
| 4 | 1014253 | | BRASS JAM NUT, 1/4-20 | 3 |
| 5 | 7473 | | UNC NYLON LOCKNUT, 5/16-18 | 1 |
| 6 | 1012353 | | SHORT BALL STUD, 1/4 X 1/4-28 | 1 |
| 7 | 1014003 | | SWITCH BELL CRANK | 1 |
| 8 | 8449 | | DIMPLED LOCKNUT, 1/4-28 | 1 |
| 9 | 1012903 | | BRONZE BEARING, 3/8 X 1/2 | 2 |
| 10 | 1014189 | | BRONZE HEX HEAD CAP SCREW, 1/4-20 X 2" | 1 |
| 11 | 1013886 | | SPEED CONTROLLER COVER | 1 |
| 12 | 7893 | | UNF HEX NUT, #10-32 | 1 |
| 13 | 1014017 | | WIPER SWITCH ARM CARRIER | 1 |
| 14 | 1013998 | | WIPER SWITCH BRUSH SPRING | 1 |
| 15 | 1014000 | | WIPER SWITCH ADJUSTING STUD | 1 |
| 16 | 1014019 | | SELF-TAPPING SCREW, #4-40 X 3/8" | 1 |
| 17 | 8058 | | SPLIT LOCKWASHER, #4 | 3 |
| 18 | 1013887 | | SPEED SWITCH ARM | 1 |
| 19 | 1013860 | | SPEED SWITCH BRUSH | 1 |
| 20 | 8056 | | ROUND HEAD MACHINE SCREW, #4-40 X 3/4" | 2 |
| 21 | 1014807 | | LIMIT SWITCH | 1 |
| 22 | 1014010 | | SPLIT GROMMET | 1 |
| 23 | 8057 | | UNC HEX NUT, #4-40 | 2 |
| 24 | 1014109 | | ROUND HEAD BOLT, #10-24 X 3/4" | 2 |
| 25 | 1016175 | | SPLIT LOCKWASHER, #10 | 2 |
| 26 | 1017 | | HEX NUT, #10-24 | 2 |
| 27 | 1014016 | | ACCELERATOR ROD | 1 |
| 28 | 1011084 | | HEX JAM NUT, 1/4-28 | 2 |
| 29 | 1011734 | | BALL JOINT | 2 |
| 30 | 1014414 | | WIPER SWITCH BUMPER | 1 |
| 31 | 1014367 | | WIPER SWITCH SHIM | 1 |
| 32 | 1014413 | | HAIR SPRING COTTER PIN | 1 |
| 33 | 1016109 | | SPEED CONTROLLER DECAL | 2 |
| 34 | 1016061 | | WIPER SWITCH RESISTOR PROTECTOR | 1 |
| 35 | 1016018 | | WIRE ASSEMBLY #18 BLACK | 1 |
| 36 | 1016017 | | RESISTOR ASSEMBLY 910Ω | 1 |
| 37 | 1016016 | | RESISTOR ASSEMBLY 620Ω | 2 |
| 38 | 1016015 | | RESISTOR ASSEMBLY 750Ω | 1 |
| 39 | 1016014 | | RESISTOR ASSEMBLY 820Ω | 1 |
| 40 | 1016013 | | RESISTOR ASSEMBLY 1100Ω | 1 |
| 41 | 1014839 | | WIRE ASSEMBLY #18 GREEN/WHITE | 1 |
| 42 | 1016142 | | WIRE ASSEMBLY #18 BLUE | 1 |
| 43 | 1016092 | | PAN HEAD SCREW (NOT SHOWN), #8-32 X .44 (ATTACHES RESISTOR PROTECTOR #34 TO WIPER SWITCH CASE) | 2 |
| 44 | 1013529 | | PLAIN WASHER (NOT SHOWN), #8 (ATTACHES RESISTOR PROTECTOR #34 TO WIPER SWITCH CASE) | 4 |
| 45 | 1011571 | | HEX NUT (NOT SHOWN), #8-32 (ATTACHES RESISTOR PROTECTOR #34 TO WIPER SWITCH CASE) | 2 |
| 46 | 1016090 | | HEX MALE/FEMALE STANDOFF (NOT SHOWN), #8-32 (ATTACHES RESISTOR PROTECTOR #34 TO WIPER SWITCH CASE) | 2 |
| 47 | 1012076 | | EXTERNAL TOOTH LOCKWASHER (NOT SHOWN), #8 (ATTACHES RESISTOR PROTECTOR #34 TO WIPER SWITCH CASE) | 4 |

E

12

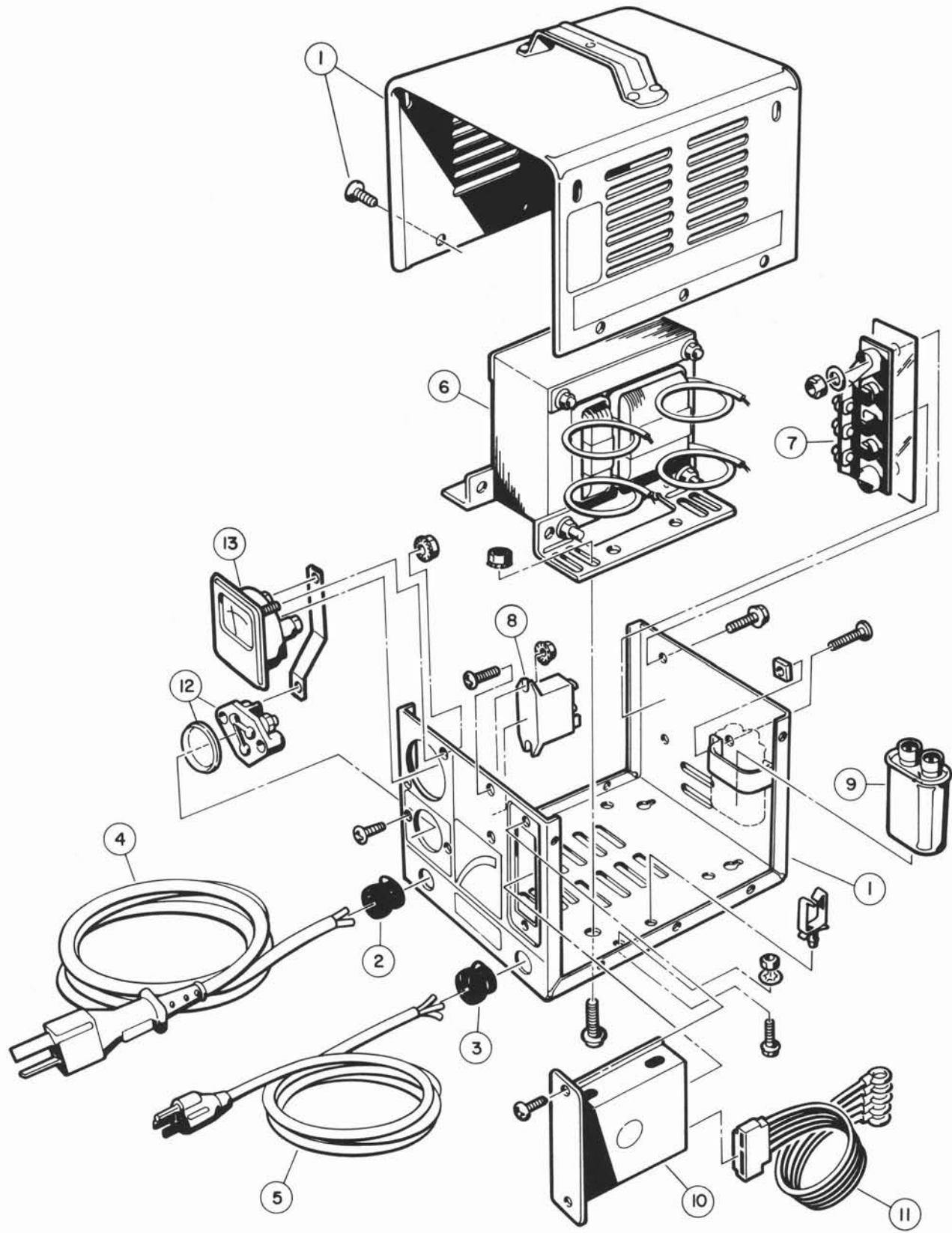


REVERSE BUZZER - DASH MOUNTED

| ITEM NUMBER | PART NUMBER | 1 2 3 4 | DESCRIPTION | UNITS PER VEHICLE |
|-------------|-------------|---------|------------------------------------|-------------------|
| 1 | 1016859 | | REVERSE BUZZER KIT | 1 |
| 2 | 1016849 | | PAN HEAD HI-LI SCREW, #4-24 X .330 | 2 |

Section 13

BATTERY CHARGER



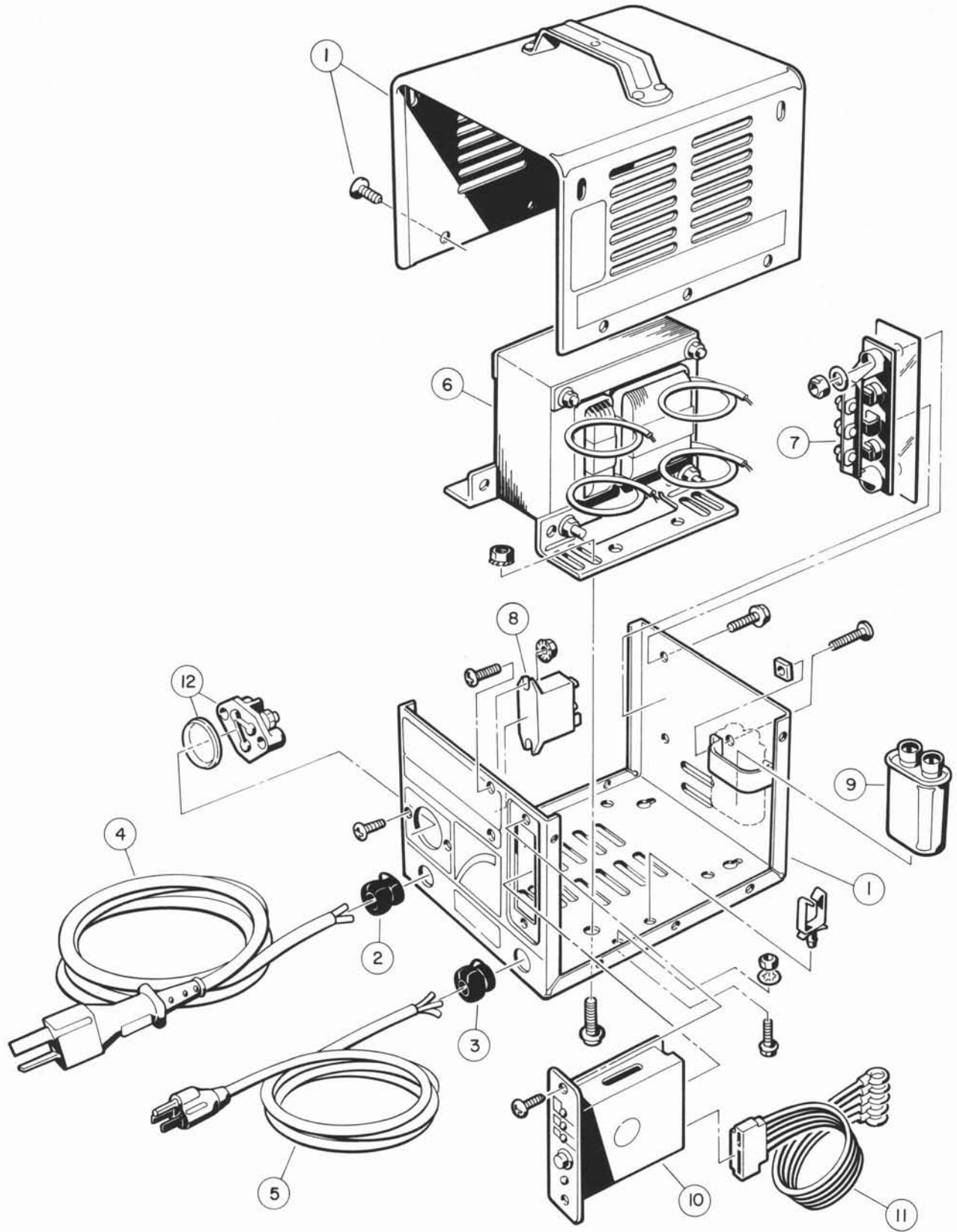
MODEL 1016464 ACCU-POWER CHARGER

MODEL 1016464 ACCU-POWER CHARGER

| ITEM NUMBER | PART NUMBER | 1 2 3 4 | DESCRIPTION | UNITS PER VEHICLE |
|----------------|----------------|---------|---|-------------------------|
| 1 | 1015907 | | CASE ASSEMBLY INCLUDES FASTENERS | 1 |
| 2 | 1012098 | | STRAIN RELIEF BUSHING, 12 AWG DC CORD | 1 |
| 2 | 1012042 | | STRAIN RELIEF BUSHING, 10 AWG DC CORD | 1 |
| 3 | 1015917 | | STRAIN RELIEF BUSHING, AC CORD | 1 |
| 4 | 1016433-01 | | DC CORDSET, 12 AWG X 110 INCHES LONG | 1 |
| 4 | 1016433-02 | | DC CORDSET, 12 AWG X 146 INCHES LONG | 1 |
| 4 | 1016433-03 | | DC CORDSET, 10 AWG X 242 INCHES LONG | 1 |
| 4 | 1016433-04 | | DC CORDSET, 10 AWG X 110 INCHES LONG | 1 |
| 5 | 1015916-01 | | AC CORDSET, 16 AWG X 80 INCHES LONG | 1 |
| 5 | 1015916-02 | | AC CORDSET, 16 AWG X 110 INCHES LONG | 1 |
| 6 | 1015912 | | TRANSFORMER ASSEMBLY | 1 |
| 7 | 1015914 | | HEATSINK ASSEMBLY WITH DIODES | 1 |
| 8 | 1015911 | | 36 VDC RELAY | 1 |
| 9 | 1015910 | | CAPACITOR | 1 |
| 10 | 1015906 | | TIMER KIT ASSEMBLY | 1 |
| 11 | 1015913 | | CONTROL CABLE ASSEMBLY | 1 |
| 12 | 1012101 | | FUSE ASSEMBLY | 1 |
| 13 | 1015905 | | AMMETER | 1 |
| | 1016464-01 | | ACCU-POWER CHARGER ASSEMBLY INCLUDES ITEMS 1 THRU 3, 6 THRU 13, 1 OF ITEMS 4 AND 5 | 1 |

E

13



MODEL 1016463 ULTRA-POWER CHARGER

MODEL 1016463 ULTRA-POWER CHARGER

| ITEM NUMBER | PART NUMBER | 1 2 3 4 | DESCRIPTION | UNITS PER VEHICLE |
|----------------|----------------|---------|--|-------------------------|
| 1 | 1015909 | | CASE ASSEMBLY INCLUDES FASTENERS | 1 |
| 2 | 1012098 | | STRAIN RELIEF BUSHING, 12 AWG DC CORD | 1 |
| 2 | 1012042 | | STRAIN RELIEF BUSHING, 10 AWG DC CORD | 1 |
| 3 | 1015917 | | STRAIN RELIEF BUSHING, AC CORD | 1 |
| 4 | 1016433-01 | | DC CORDSET, 12 AWG X 110 INCHES LONG | 1 |
| 4 | 1016433-02 | | DC CORDSET, 12 AWG X 146 INCHES LONG | 1 |
| 4 | 1016433-03 | | DC CORDSET, 10 AWG X 242 INCHES LONG | 1 |
| 4 | 1016433-04 | | DC CORDSET, 10 AWG X 110 INCHES LONG | 1 |
| 5 | 1015916-01 | | AC CORDSET, 16 AWG X 80 INCHES LONG | 1 |
| 5 | 1015916-02 | | AC CORDSET, 16 AWG X 110 INCHES LONG | 1 |
| 6 | 1015912 | | TRANSFORMER ASSEMBLY | 1 |
| 7 | 1015914 | | HEATSINK ASSEMBLY W.31TH DIODES | 1 |
| 8 | 1015911 | | 36 VDC RELAY | 1 |
| 9 | 1015910 | | CAPACITOR | 1 |
| 10 | 1015908 | | TIMER KIT ASSEMBLY | 1 |
| 11 | 1015913 | | CONTROL CABLE ASSEMBLY | 1 |
| 12 | 1012101 | | FUSE ASSEMBLY | 1 |
| | 1016463-01 | | ULTRA-POWER CHARGER ASSEMBLY INCLUDES ITEMS 1 THRU 3, 6 THRU 12, 1 OF ITEMS 4 AND 5 | 1 |

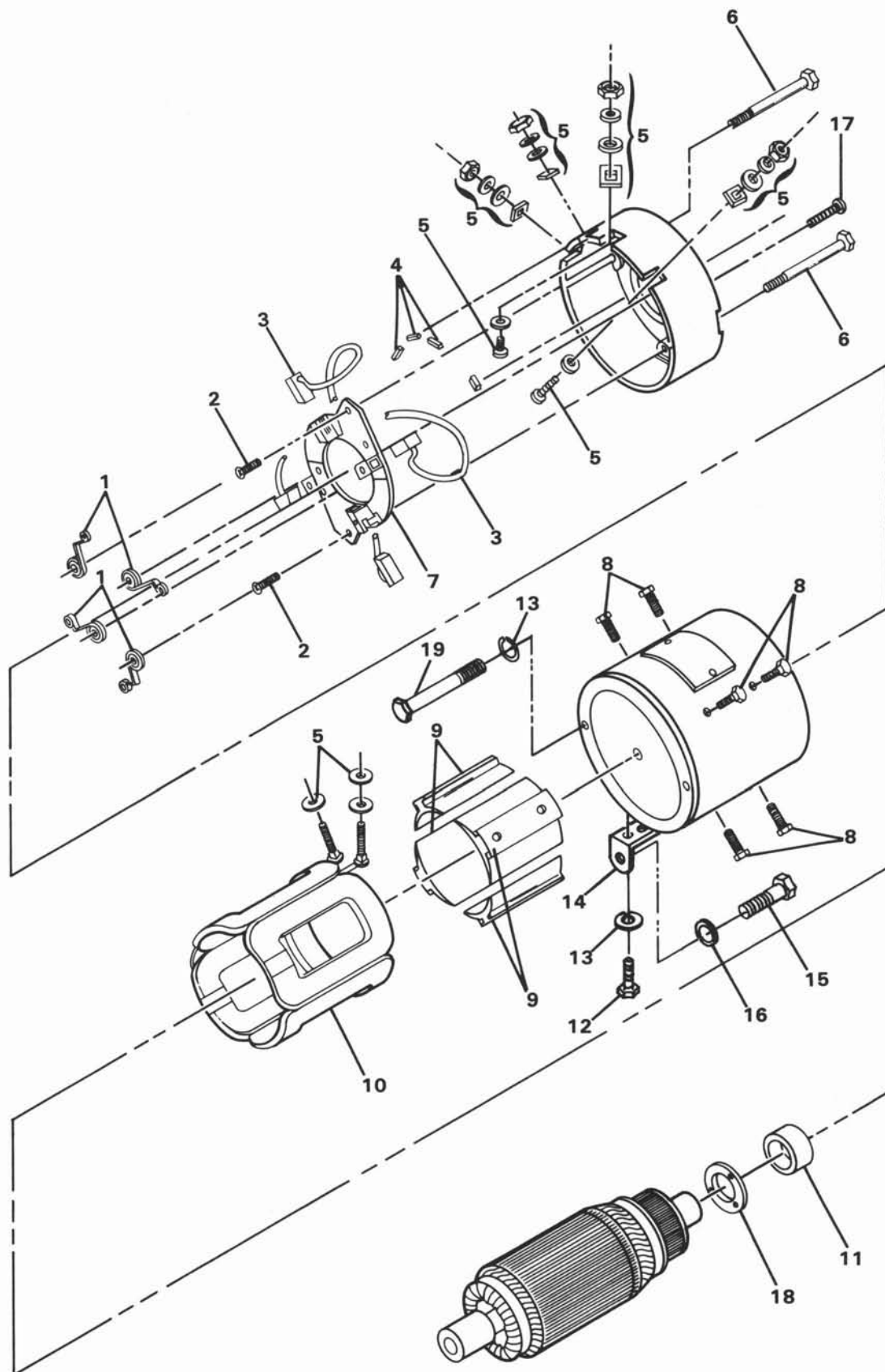
E

13



Section 14

MOTOR



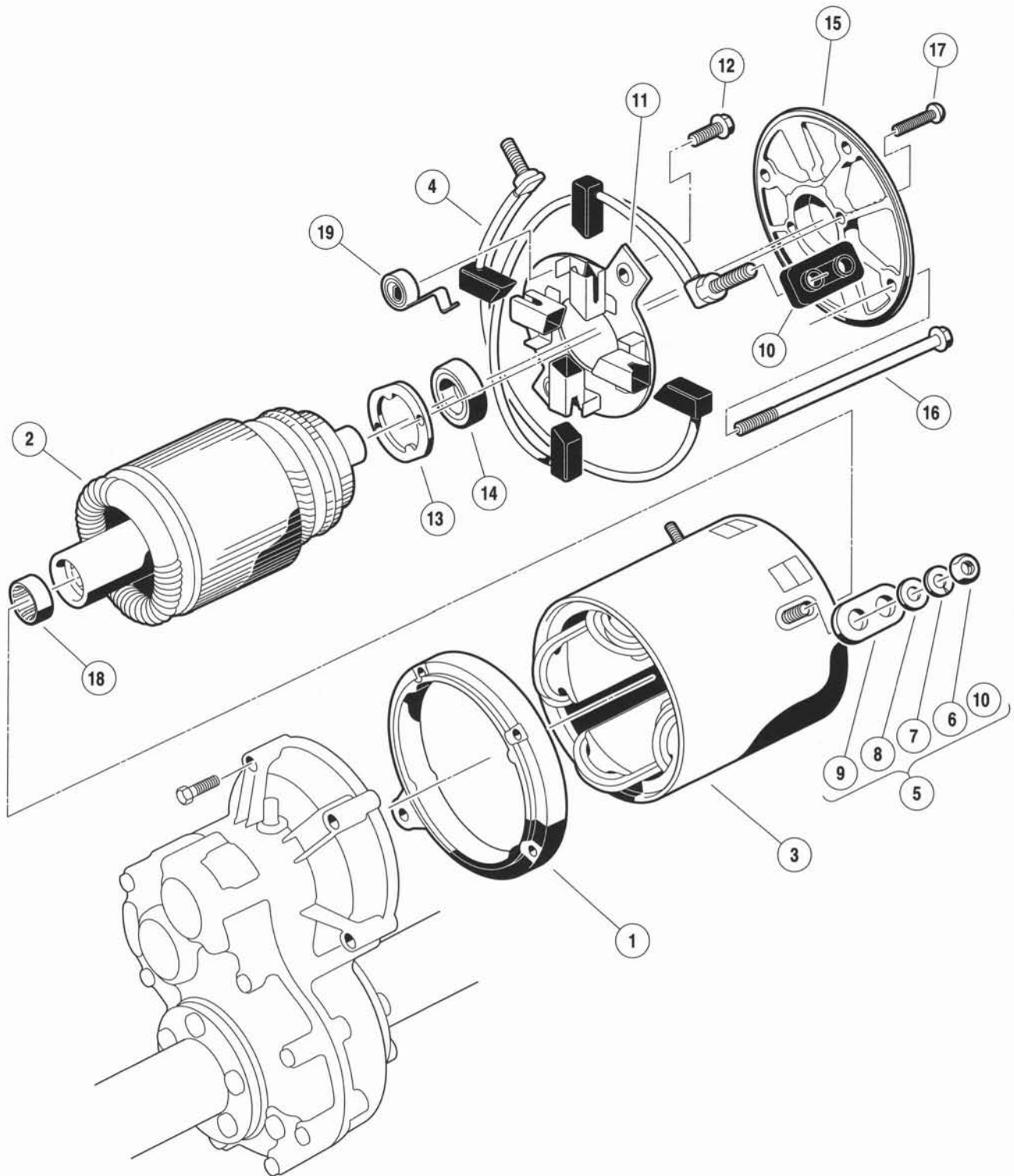
MOTOR ASSEMBLY
CLUB CAR PART# 1012191 MODEL 5BC48JB764
CLUB CAR PART# 1014678 MODEL 5BC48JB771

MOTOR ASSEMBLY
CLUB CAR PART# 1012191 MODEL 5BC48JB764
CLUB CAR PART# 1014678 MODEL 5BC48JB771

| ITEM NUMBER | PART NUMBER | DESCRIPTION | | | | UNITS PER VEHICLE |
|----------------|----------------|--------------------------------------|---|---|---|-------------------------|
| | | 1 | 2 | 3 | 4 | |
| | 1012191 | MOTOR ASSEMBLY COMPLETE | | | | 1 |
| 1 | 1011411 | BRUSH SPRING PACKAGE (4 PIECES) | | | | 1 |
| 2 | 1011283 | SCREW, BRUSH RIGGING | | | | 2 |
| 3 | 1011410 | BRUSH PACKAGE (4 PIECES) | | | | 1 |
| 4 | 1011409 | RUBBER GASKET PACKAGE (4 PIECES) | | | | 2 |
| 5 | 1011407 | HARDWARE KIT | | | | 4 |
| 6 | NO # | MOTOR CLAMP SCREW (CE) | | | | 2 |
| 7 | 1011284 | BRUSH RIGGING | | | | 1 |
| 8 | 1011412 | SCREW, POLE PIECE PACKAGE (8 PIECES) | | | | 1 |
| 9 | 1011413 | FIELD POLE PIECE PACKAGE (4 PIECES) | | | | 1 |
| 10 | 1011288 | FIELD COILS, MODEL 5BC48JB764 | | | | 1 |
| 10 | 1011289 | FIELD COILS, MODEL 5BC48JB771 | | | | 1 |
| 11 | 1011290 | BALL BEARING, DOUBLE SHIELD | | | | 1 |
| 12 | 7847 | HEX HEAD CAP SCREW, 1/4-20 X 3/4" | | | | 2 |
| 13 | 451 | LOCKWASHER, 1/4 DIAMETER | | | | 5 |
| 14 | 1012177 | MOTOR/AXLE CLIP | | | | 1 |
| 15 | 1010934 | HEX HEAD CAP SCREW, 5/16-18 X 1" | | | | 1 |
| 16 | 7174 | LOCKWASHER, 5/16 DIAMETER | | | | 1 |
| 17 | 1013893 | PAN HEAD SCREW, #8-32 | | | | 3 |
| 18 | 1013894 | RETAINING-BEARING | | | | 1 |
| 19 | 1014201 | HEX HEAD CAP SCREW, 1/4-20 X 2-1/4" | | | | 3 |

E

14



MOTOR ASSEMBLY

2.97 HP CLUB CAR PART# 1017728-01 MODEL 5BC58JBS6163

3.50 HP CLUB CAR PART# 1017728-02 MODEL 5BC58JBS6215

MOTOR ASSEMBLY

2.97 HP CLUB CAR PART# 1017728-01 MODEL 5BC58JBS6163

3.50 HP CLUB CAR PART# 1017728-02 MODEL 5BC58JBS6215

| ITEM NUMBER | PART NUMBER | DESCRIPTION | UNITS PER VEHICLE |
|-------------|-------------|------------------------------------|-------------------|
| | | 1 2 3 4 | |
| | 1017728-01 | 2.97 HP MOTOR ASSEMBLY COMPLETE | 1 |
| 1 | 1017944 | END SHIELD | 1 |
| 2 | N/A | ARMATURE | |
| 3 | 1017945 | STATOR SHELL AND WINDING | 1 |
| 4 | 1017946 | BRUSH PKG. (4 PCS) | 2 |
| 5 | 1017947 | HARDWARE PKG. (INCLUDES ITEMS 6-9) | 1 |
| 6 | N/A | NUT | 4 |
| 7 | N/A | LOCKWASHER | 4 |
| 8 | N/A | FLAT WASHER | 4 |
| 9 | N/A | INSUL BUSHING | 2 |
| 10 | N/A | INSUL BUSHING | 2 |
| 11 | 1017948 | BRUSH RIGGING | 1 |
| 12 | 1017949 | SCREW, BRUSH HOLDER | 2 |
| 13 | 1017950 | BEARING RETAINER | 1 |
| 14 | 1011290 | BALL BEARING | 1 |
| 15 | 1017951 | END SHIELD | 1 |
| 16 | 1017952 | CLAMP SCREW | 4 |
| 17 | 1017953 | SCREW, BEARING RETAINER | 2 |
| 18 | 1017891 | GUIDE RING | 1 |
| 19 | 1017960 | BRUSH SPRING PKG. (4 PCS) | 1 |
| | 1017728-02 | 3.50 HP MOTOR ASSEMBLY COMPLETE | 1 |
| 1 | 1017944 | END SHIELD | 1 |
| 2 | N/A | ARMATURE | |
| 3 | 1017954 | STATOR SHELL AND WINDING | 1 |
| 4 | 1017946 | BRUSH PKG. (4 PCS) | 2 |
| 5 | 1017947 | HARDWARE PKG. (INCLUDES ITEMS 6-9) | 1 |
| 6 | N/A | NUT | 4 |
| 7 | N/A | LOCKWASHER | 4 |
| 8 | N/A | FLAT WASHER | 4 |
| 9 | N/A | INSUL BUSHING | 2 |
| 10 | N/A | INSUL BUSHING | 2 |
| 11 | 1017948 | BRUSH RIGGING | 1 |
| 12 | 1017949 | SCREW, BRUSH HOLDER | 2 |
| 13 | 1017950 | BEARING RETAINER | 1 |
| 14 | 1011290 | BALL BEARING | 1 |
| 15 | 1017951 | END SHIELD | 1 |
| 16 | 1017952 | CLAMP SCREW | 4 |
| 17 | 1017953 | SCREW, BEARING RETAINER | 2 |
| 18 | 1017891 | GUIDE RING | 1 |
| 19 | 1017960 | BRUSH SPRING PKG. (4 PCS) | 1 |

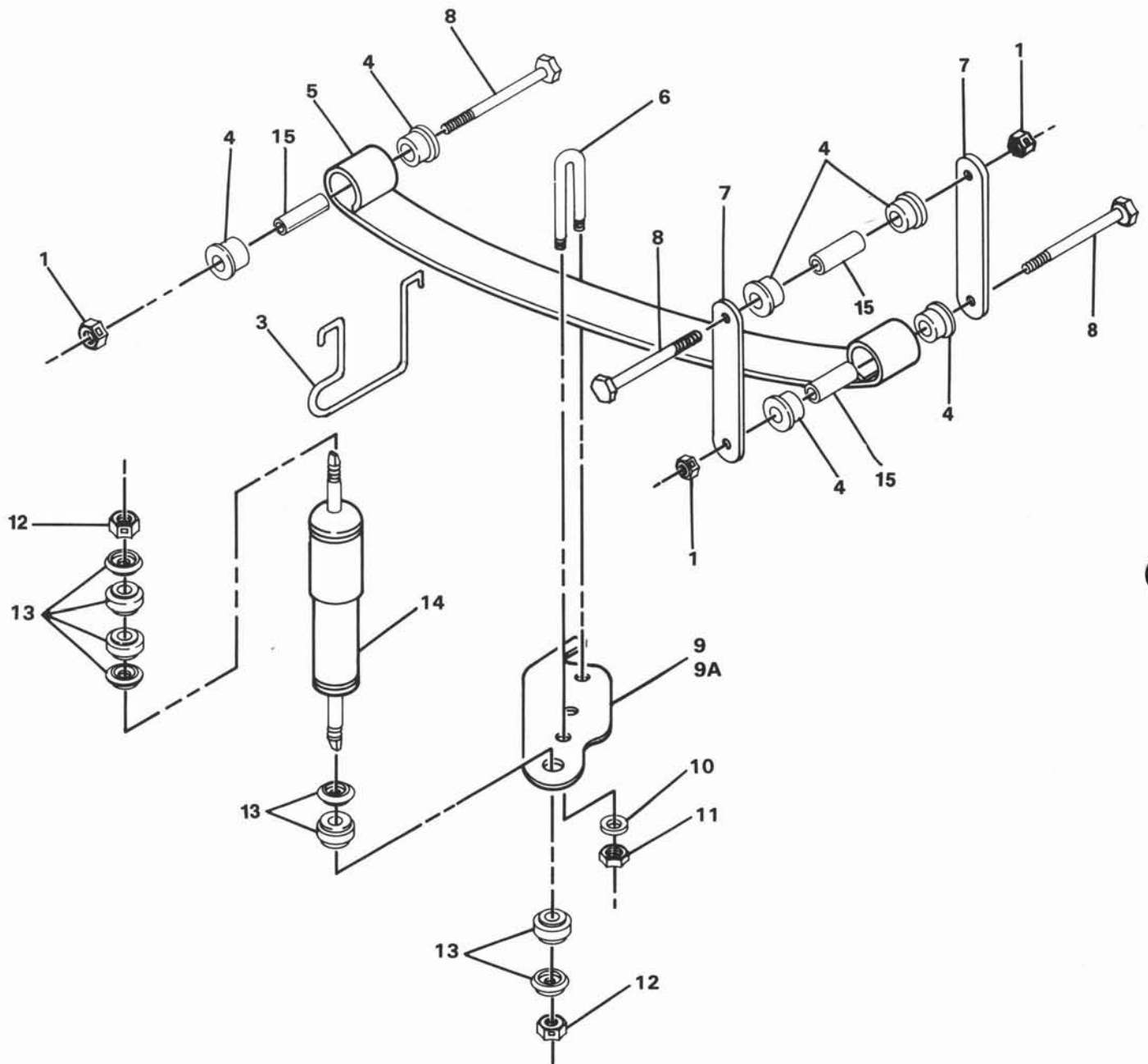
E

14



Section 15

REAR SUSPENSION

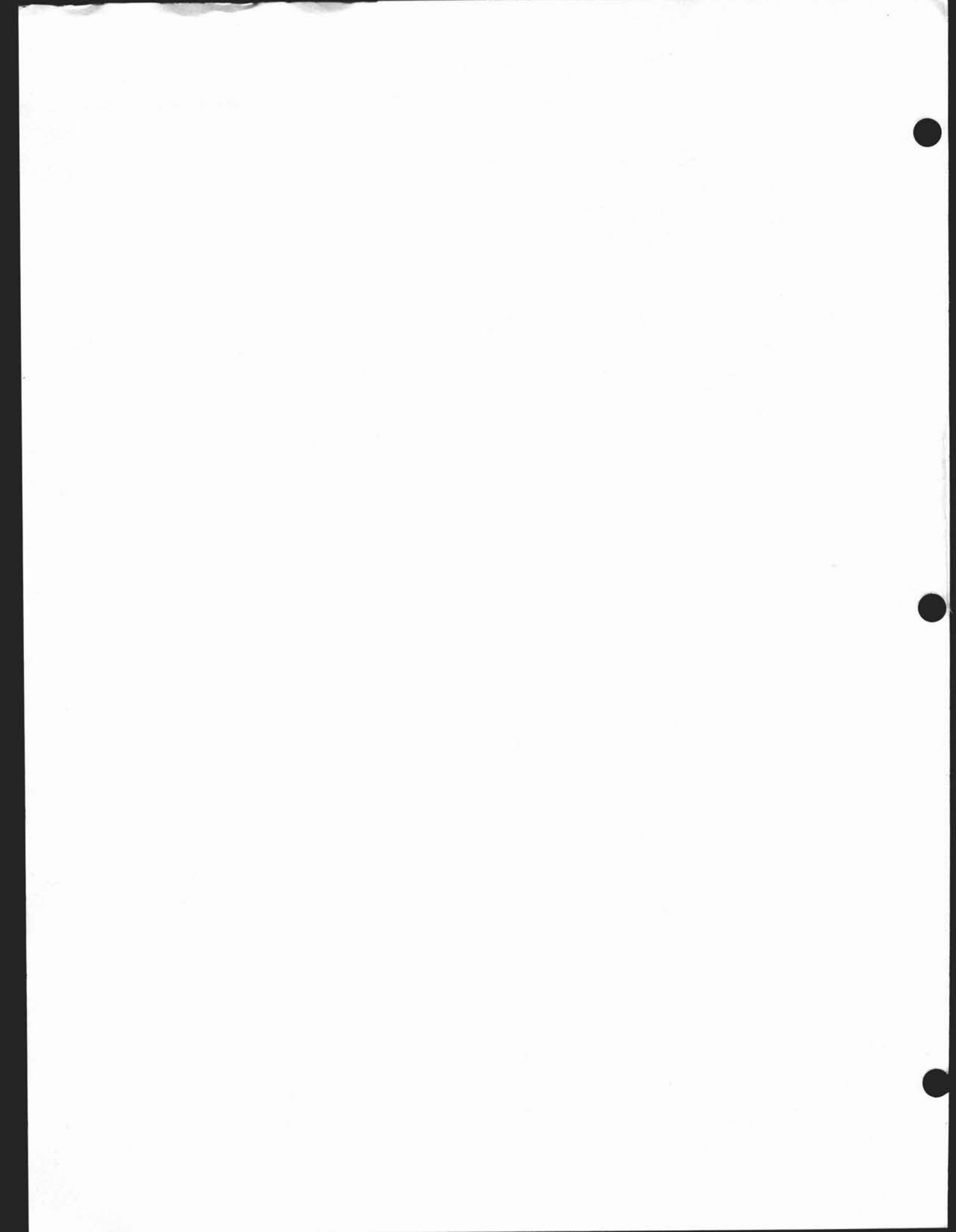


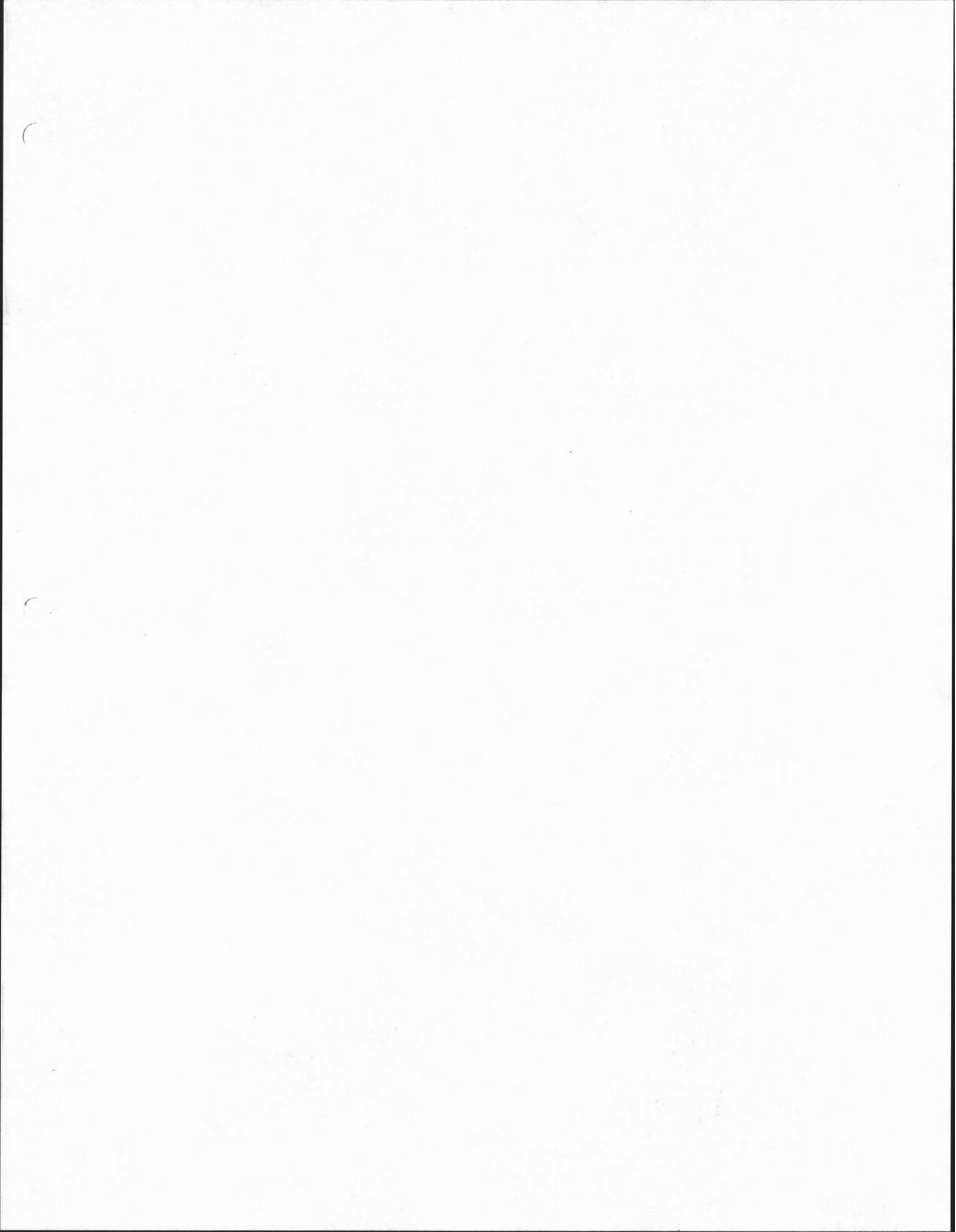
REAR SUSPENSION ASSEMBLY - ELECTRIC

REAR SUSPENSION ASSEMBLY - ELECTRIC

| ITEM NUMBER | PART NUMBER | 1 2 3 4 | DESCRIPTION | UNITS PER VEHICLE |
|----------------|----------------|---------|--|-------------------------|
| 1 | 1010138 | | DIMPLED LOCKNUT, 3/8-16 | 6 |
| 3 | 1013207 | | BRAKE SUPPORT CABLE | 2 |
| 4 | 1015583 | | URETHANE BUSHING | 12 |
| 5 | 1010974 | | REAR LEAF SPRING | 2 |
| 6 | 1012180 | | "U" BOLT | 2 |
| 7 | 7569 | | REAR SPRING SHACKLE | 4 |
| 8 | 8755 | | HEX HEAD CAP SCREW, 3/8-16 X 3-3/8" | 6 |
| 9 | 1012181 | | SHOCK MOUNT, RIGHT HAND | 1 |
| 9A | 1012182 | | SHOCK MOUNT, LEFT HAND | 1 |
| 10 | 720 | | LOCKWASHER, 7/16 DIAMETER | 4 |
| 11 | 8938 | | HEX NUT, 7/16-14 | 4 |
| 12 | 1010145 | | HEX NUT, SHOCK ABSORBER, 3/8-24 | 4 |
| 13 | 1011415 | | SHOCK ABSORBER CUSHION KIT | 4 |
| 14 | 1014236 | | SHOCK ABSORBER, REAR ELECTRIC | 1 |
| 15 | 1012303 | | STEEL BUSHING | 6 |
| 16 | 1013164 | | SHOCK ABSORBER KIT INCLUDES ITEMS 13 AND 14 | 1 |

E





CLUB CAR

INGERSOLL-RAND

Golf Cars

Club Car Inc.
P.O. Box 204658
Augusta, GA 30917-4658