

Ride With An Attitude



LSV MODEL MTV **OWNER'S & PARTS MANUAL**

2010 Edition

For additional information, please see us at

www.badboymtv.com

Bad Boy, Inc.
102 Industrial Drive
Batesville, Arkansas 72501
(870) 698-0090



Low Speed Vehicle



BAD BOY MULTI-TERRAIN VEHICLE (MTV)

FOR MODELS: *Bad Boy MTV—LSV (Low Speed Vehicle)*

WARNING

A WARNING indicates a hazardous situation which, if not avoided, may result in death or serious injury.

CAUTION

A CAUTION indicates a hazardous situation which, if not avoided, may result in minor or moderate injury.

NOTICE

A NOTICE indicates a situation that may result in property damage.

Warnings and Safety	pages 3–14
Features and Controls.....	pages 15–17
Operation	pages 18–21
Maintenance	pages 22–31
Transporting.....	page 31
Warranty	page 32
Vehicle Identification Log.....	page 33
Maintenance Log	page 33
Parts Section	page 34
Contact Information	page 48

A Message from Bad Boy, Inc.

Thank you for purchasing a Bad Boy Multi-Terrain Vehicle (MTV), and welcome to our family of Bad Boy, Inc. product owners. For safe and enjoyable operation of your MTV, be sure to follow the instructions and recommendations in this owner's manual. Your manual includes instructions for minor maintenance, but major repairs should be performed only by a Certified Dealer Technician. All information enclosed within this publication is based on the latest product information at the time of publication. Due to constant improvements in the design and quality of production components, some minor discrepancies may result between the actual vehicle and the information presented in this publication. Depictions and/or procedures in this publication are intended for reference use only. No liability can be accepted for omissions or inaccuracies.



WARNING

Improper vehicle use can result in Severe Injury or Death.

AGE 16 WARNING

Operating this vehicle if you are under the age of 16 increases your chance of severe injury or death. NEVER operate this vehicle if you are under age 16 or without a valid driver's license.

WARNING

Read, understand, and follow all of the instructions and safety precautions in this manual and on all product labels. Failure to follow the safety precautions could result in serious injury or death.

VENTILATION WARNING

Hydrogen gas is generated in the charging cycle of batteries and is explosive in concentrations as low as 4%. Because hydrogen gas is lighter than air, it will collect in the ceiling of buildings necessitating proper ventilation. Five air exchanges per hour are considered the minimum requirement. Never charge a vehicle in an area that is subject to flame or spark. Pay particular attention to natural gas or propane gas water heaters and furnaces. Always use a dedicated circuit for each battery charger. Do not permit other appliances to be plugged into the receptacle when the charger is in operation. Chargers must be installed and operated in accordance with charger manufacturer's recommendations or applicable electrical code (whichever is higher).



DO NOT DRIVE:

- On hills steeper than 15 degrees.
- With non-Bad Boy MTV approved accessories - they may seriously affect stability.
- These vehicles are strictly for on road use only. Use otherwise can result in serious damage to specific MTV components.
- Without knowledge of local and state government laws pertaining to use of vehicle.
- With more than two passengers, or passengers under age five.
- At speeds too fast for your skills or the conditions.
- After or while using Alcohol or Drugs.
- On surfaces other than paved ones.

ALWAYS USE THESE INSTRUCTIONS WHILE OPERATING MTV:

- Wear eye protection and keep hands and feet in vehicle at all times.
- Use extra caution when carrying passengers.
- Wear a helmet and/or protective head gear.
- Make sure passenger(s) reads and understands all safety labels.
- Look out for branches or other hazards that could enter vehicle.
- Avoid sharp turns or turns while applying heavy throttle.
- Operate slowly in reverse.

Information contained in this manual is subject to change without notice.

The manufacturer is not liable for errors in this manual or for incidental or consequential damages that result from the use of the material in this manual.

- This vehicle conforms to the current applicable standard for safety and performance requirements.
- These vehicles are designed and manufactured for paved surface use.
- Units conform to Federal Motor Vehicle Safety Standard Number 500 (49 CFR 571.500)
- Standard units are equipped for operation on public streets posted at 35 MPH and under and cross public streets posted at 45 MPH.
- With electric powered vehicles, be sure that all electrical accessories are grounded directly to the battery (-) post.
- Never use the chassis or body as a ground connection.
- Never modify the vehicle in any way that will alter the weight distribution of the vehicle, decrease its stability or increase the speed beyond the factory specification. Such modifications can cause serious personal injury or death.
- Modifications that increase the speed and/or weight of the vehicle will extend the stopping distance and may reduce the stability of the vehicle. Do not make any such modifications or changes.
- The manufacturer prohibits and disclaims responsibility for any such modifications or any other alteration which would adversely affect the safety of the vehicle.
- Always follow the manufacturer's directions if you do any maintenance on your vehicle. Be sure to disable the vehicle before performing any maintenance. Disabling includes removing the key from the key switch and removal of a battery wire(s).



WARNING

This Vehicle is NOT a TOY. NEVER let any child play on this machine even while parked.

- Always insulate any tools used within the battery area in order to prevent sparks or battery explosion caused by shorting the battery terminals or associated wiring. Remove the batteries or cover exposed terminals with an insulating material.
- Always check the polarity of each battery terminal and be sure to rewire the batteries correctly.
- Always use specified replacement parts. Never use replacement parts of lesser quality.
- Always use recommended tools.
- Always determine that tools and procedures not specifically recommended by the manufacturer will not compromise the safety of personnel nor jeopardize the safe operation of the vehicle.
- Always support the vehicle using wheel chocks and safety stands. Never get under a vehicle that is supported by a jack. Lift the vehicle in accordance with the manufacturer's instructions.
- Never attempt to maintain a vehicle in an area where exposed flame is present or persons are smoking.
- Always be aware that a vehicle that is not performing as designed is a potential hazard and must not be operated.
- The manufacturer cannot anticipate all situations, therefore people attempting to maintain or repair the vehicle must have the skill and experience to recognize and protect themselves from potential situations that could result in severe personal injury or death and damage to the vehicle.
- Always test drive the vehicle after any repairs or maintenance. All tests must be conducted in a safe area that is free of both vehicular and pedestrian traffic.
- Always replace damaged or missing warning, caution or information labels.
- Always keep complete records of the maintenance history of the vehicle.



OPERATOR WARNING

- Always use the vehicle in a responsible manner and maintain the vehicle in safe operating condition.
- Always read and observe all warnings and operation instruction labels affixed to the vehicle.
- Always follow all safety rules established in the area where the vehicle is being operated.
- Always reduce speed to compensate for poor terrain or conditions.
- Always apply service brake to control speed on steep grades.
- Always maintain adequate distance between vehicles.
- Always reduce speed in wet areas.
- Always use extreme caution when approaching sharp or blind turns.
- Always use extreme caution when driving over loose terrain.
- Always use extreme caution in areas where pedestrians are present.
- Always maintain your vehicle in accordance with the manufacturer's periodic service schedule.
- Always ensure that mechanics performing repairs are trained and qualified to do so.
- Always follow the manufacturer's directions if you do any maintenance on your vehicle.
- Be sure to disable the vehicle before performing any maintenance. Disabling includes removing the key from the key switch and removal of a battery wire.
- Always insulate any tools used within the battery area in order to prevent sparks or battery explosion caused by shorting the battery terminals or associated wiring. Remove the batteries or cover exposed terminals with an insulating material.
- Always use recommended tools.
- Always determine that tools and procedures not specifically recommended by the manufacturer will not compromise the safety of personnel nor jeopardize the safe operation of the vehicle.
- Always support the vehicle using wheel chocks and safety stands. Never get under a vehicle that is supported by a jack. Lift the vehicle in accordance with the manufacturer's instructions.
- Never attempt to maintain a vehicle in an area where exposed flame is present or persons are smoking.
- Always be aware that a vehicle that is not performing as designed is a potential hazard and must not be operated.
- The manufacturer cannot anticipate all situations, therefore people attempting to maintain or repair the vehicle must have the skill and experience to recognize and protect themselves from potential situations that could result in severe personal injury or death and damage to the vehicle.

Use extreme caution and, if unsure as to the potential for injury, refer the repair or maintenance to a qualified mechanic.

- Always test drive the vehicle after any repairs or maintenance. All tests must be conducted in a safe area that is free of both vehicular and pedestrian traffic.

WASH HANDS AFTER HANDLING!

BATTERIES AND RELATED PARTS CONTAIN LEAD



OPERATOR SAFETY

WARNING

Failure to follow the warnings contained in this manual can result in severe injury or death.

A Bad Boy Multi-Terrain Vehicle (MTV) is not a toy and can be hazardous to operate. This vehicle handles differently than other vehicles, such as motorcycles and cars. A collision or rollover can occur quickly, even during routine maneuvers like turning, or driving on hills or over obstacles, if you fail to take proper precautions.

Read and understand your owner's manual and all warnings before operating the vehicle.

Age Restrictions

This vehicle is an ADULT VEHICLE ONLY. Operation is prohibited for anyone under 16 years of age and anyone who does not have a valid Drivers License. No person under the age of 5 may ride as a passenger in this vehicle.

Know Your Vehicle

As the operator of the vehicle, you are responsible for your personal safety, the safety of others, and the protection of our environment. Read and understand your owner's manual, which includes valuable information about all aspects of your vehicle, including safe operating procedures.

The Bad Boy MTV is not an off-road vehicle. Familiarize yourself with all laws and regulations concerning the operation of this vehicle in your area.

We strongly advise you to strictly follow the recommended maintenance program outlined in your owner's manual. This preventive maintenance program is designed to ensure that all critical components on your vehicle are thoroughly inspected at specific intervals.

SAFETY

Operator Safety

WARNING

Serious injury or death can result if you do not follow these instructions and procedures, which are outlined in further detail within your owner's manual. Read this manual and all labels carefully. Follow the operating procedures described.

- Never allow anyone without a valid driver's license to operate this vehicle.
- Minimum age recommendation for passengers is five years old. Passengers under five years of age require special restraints which are not available with this vehicle. Driver and passenger should wear their seat belts at all times.
- Never permit a guest to operate this vehicle unless the guest has read this manual and all product labels.
- To reduce tip over risk, be especially careful when encountering obstacles and slopes and when braking on hills or turns.
- This vehicle is for on road use only. Never operate vehicle off road.
- Never consume alcohol or drugs before or while operating this vehicle.
- Never operate at excessive speeds. Always travel at a speed proper for the terrain, visibility and operating conditions, and your experience.
- Never attempt jumps or other stunts.
- Always inspect your vehicle each time you use it to make sure it's in safe operating condition.
- Always follow the inspection and maintenance procedures and schedules described in this manual.



WARNING

Always keep both hands on the steering wheel and both feet on the floorboards of the vehicle during operation.

Always travel slowly and use extra caution when operating on unfamiliar terrain. Be alert to changing terrain.

Never operate on excessively rough, slippery or loose terrain.

Safety Decals and Locations:

Warning decals have been placed on the vehicle for your protection. Read and follow the instructions of the decals on the vehicle carefully.

If any of the decals depicted in this manual differ from the decals on your vehicle, always read and follow the instructions of the decals on the vehicle.

If any decal becomes illegible or comes off, contact your Bad Boy MTV dealer to purchase a replacement. Replacement safety decals are provided by Bad Boy, Inc.

- Do Not Tow Heavy Loads up Steep hills or embankments,
- Do Not Pull Heavy Trailers up Steep hills or embankments.
- Do not Ride in Cargo Box. Never Carry Passengers in Cargo Box!
- Always follow proper procedures for turning as described in this manual. Practice turning at slow speeds before attempting to turn at faster speeds. Never turn at excessive speeds.
- Always have this vehicle checked by an authorized Bad Boy MTV dealer if it has been involved in an accident.
- Never operate this vehicle on hills too steep for the vehicle or for your abilities. Practice on smaller hills before attempting larger hills.
- Always follow proper procedures for climbing hills as described in this manual. Check the terrain carefully before attempting to climb a hill.
- Never climb hills with excessively slippery or loose surfaces.
- Never open the throttle suddenly. Never go over the top of a hill at high speed.
- Always follow the proper procedures outlined in this manual for traveling downhill and for braking on hills. Check the terrain carefully before descending a hill. Never travel downhill at high speed. Avoid going downhill at an angle, which would cause the vehicle to lean sharply to one side. Travel straight down the hill where possible.
- Always check for obstacles before operating in a new area. Never attempt to operate over large obstacles such as rocks or fallen trees. Always follow the proper procedures outlined in this manual when operating over obstacles.
- Always be careful of skidding or sliding. On slippery surfaces such as ice, travel slowly and exercise caution to reduce the chance of skidding or sliding out of control.





- Never operate your vehicle in fast-flowing water or in standing water. Severe damage will occur to motor if water or debris enters open windings. Wet brakes may have reduced stopping ability. Test your brakes after leaving water. If necessary, apply them lightly several times to let friction dry out the pads.
- Always be sure there are no obstacles or people behind your vehicle when operating in reverse. When it's safe to proceed in reverse, move slowly. Avoid turning at sharp angles in reverse.
- Always use the proper size and type of tires specified in this manual.
- Always maintain proper tire pressure.
- Never modify this vehicle through improper installation or improper use of accessories.
- Never exceed the stated load capacity for this vehicle. Cargo should be properly distributed and securely attached. Reduce speed and follow the instructions in this manual for hauling cargo or pulling a trailer. Allow a greater distance for braking.
- Always wear the seat belts when operating this vehicle. Seat belts reduce the severity of injury in case of a sudden stop or collision.
- Always keep arms and legs inside the cab frame while the vehicle is in motion.
- Always engage the park brake before getting out of the vehicle.
- Always apply the brakes before engaging or releasing the park brake.
- Always remove the master switch key when the vehicle is not in use to prevent unauthorized use or accidental starting.

BATTERY PROLONGED STORAGE NOTICE

All batteries will self discharge over time. The rate of self discharge varies depending on the ambient temperature and the age and condition of the batteries.

A fully charged battery will not freeze in winter temperatures unless the temperature falls below -75°F (-60°C).

For winter storage, the batteries must be clean, fully charged and disconnected from any source of electrical drain.

The battery charger and the controller are both sources of electrical drain. Unplug the battery charger DC plug from the vehicle receptacle.

As with all electric vehicles, the batteries must be checked and recharged as required or at a minimum of 30 day intervals.

***FOR MORE INFORMATION ABOUT SAFETY,
call Bad Boy, Inc:***

***Toll Free: (866) 622 3269
(870) 698 0090***



SAFETY

Operator Safety

WARNING

Make sure your Bad Boy MTV is in excellent operating condition at all times. We strongly recommend that the operator check all safety components before each ride.

Bad Boy MTV's are designed to provide safe operation when used as directed. Failure of critical machine components may result from operation with any modifications, especially those that increase speed or power. The vehicle may become aerodynamically unstable at speeds higher than those for which it is designed. Loss of control may occur at higher speeds. Modifications may also create a safety hazard and lead to bodily injury.

We are concerned for the safety of our customers and for the general public. Therefore, we strongly recommend that consumers do not install on a Bad Boy MTV any equipment that may increase the speed or power of the vehicle, or make any other modifications to the vehicle for these purposes. Any modifications to the original equipment of the vehicle create a substantial safety hazard and increase the risk of bodily injury.

The warranty on your Bad Boy MTV is terminated if any equipment has been added to the vehicle, or if any modifications have been made to the vehicle, that increase its speed or power.

NOTE: The addition of certain accessories, including (but not limited to) mowers, blades, tires, sprayers, or large racks, may change the handling characteristics of the vehicle. Use only Bad Boy MTV-approved accessories, and familiarize yourself with their function and effect on the vehicle.

POTENTIAL HAZARD

Stalling, rolling backwards while climbing a hill

WHAT CAN HAPPEN

Vehicle overturn

HOW TO AVOID THE HAZARD

- Maintain a steady speed when climbing a hill.
- If you lose all forward speed:
- Apply the brakes gradually until the vehicle is fully stopped. Place the transmission in reverse and slowly allow the vehicle to roll straight downhill while applying light brake pressure to control speed.
- Engage the park brake after fully stopped.

If you begin rolling backwards:

- Never apply motor power.
- Apply the brakes gradually.
- When fully stopped, engage the park brake.
- In the event of an accident, have a qualified service dealer check the complete vehicle for possible damage, including (but not limited to) brakes, throttle and steering.



POTENTIAL HAZARD

Operating this vehicle off road

WHAT CAN HAPPEN

Loss of control

HOW TO AVOID THE HAZARD

- This vehicle's tires are designed for paved surfaces only, not for use off road.

POTENTIAL HAZARD

Operating this vehicle without proper instruction

WHAT CAN HAPPEN

Loss of control, accident

HOW TO AVOID THE HAZARD

- The risk of an accident is greatly increased if the operator does not know how to operate the vehicle properly in different situations and on different types of terrain.
- All operators must read and understand the Owner's Manual and all warning and instruction labels before operating vehicle.

POTENTIAL HAZARD

Operating this vehicle off road.

WHAT CAN HAPPEN

Damage to LSV specific components.

HOW TO AVOID THE HAZARD

- Never operate this vehicle off road.



POTENTIAL HAZARD

Operating this vehicle after consuming alcohol or drugs

WHAT CAN HAPPEN

Alcohol and Drugs could seriously affect your judgment.
Alcohol and Drugs could cause you to react more slowly.
Alcohol and Drugs could affect your balance and perception.
Alcohol and Drugs could result in an accident.

HOW TO AVOID THE HAZARD

- Driving a MTV requires your full attention. DO NOT drink alcohol or use drugs or medications before or while driving. They will reduce your alertness and slow your reaction time. In most states and provinces, it's prohibited by law to drive while intoxicated or under the influence of drugs.

POTENTIAL HAZARD

Operating this vehicle at excessive speeds

WHAT CAN HAPPEN

Loss of control, accident

HOW TO AVOID THE HAZARD

- Always travel at a speed proper for the terrain, visibility and operating conditions, and your experience.

POTENTIAL HAZARD

Attempting jumps and other stunts

WHAT CAN HAPPEN

Loss of control, accident and/or vehicle overturns

HOW TO AVOID THE HAZARD

- Never attempt jumps and other stunts. Avoid exhibition driving.

POTENTIAL HAZARD

Operating on frozen bodies of water.

WHAT CAN HAPPEN

Severe injury or death can result if the vehicle and/or the operator fall through the ice.

HOW TO AVOID THE HAZARD

- Never operate the MTV on a frozen body of water.



POTENTIAL HAZARD

Failure to inspect the vehicle before operating
Failure to properly maintain the vehicle

WHAT CAN HAPPEN

Accident, equipment damage

HOW TO AVOID THE HAZARD

- Always inspect your MTV before each use to make sure it's in safe operating condition.
- Always follow the inspection and maintenance procedures and schedules described in the Owner's Manual.

POTENTIAL HAZARD

Failure to use extra caution when operating this vehicle on unfamiliar terrain

WHAT CAN HAPPEN

Loss of control, vehicle overturns

HOW TO AVOID THE HAZARD

- Travel slowly and use extra caution when operating on unfamiliar terrain.
- Always be alert to changing terrain conditions when operating the vehicle. You may come upon hidden rocks, bumps, or holes suddenly, without enough time to react.

POTENTIAL HAZARD

Failure to follow the minimum age recommendations for this vehicle

WHAT CAN HAPPEN

Serious injury or death (the child or others)

HOW TO AVOID THE HAZARD

- Only persons with a valid driver's license should operate a Bad Boy MTV.
- Even though a child may be within the age group for which some vehicles are recommended, he or she may not have the skills, abilities, or judgment needed to operate the vehicle safely and may be involved in a serious accident.

POTENTIAL HAZARD

Operating this vehicle with improper tires or with improper or uneven tire pressure

WHAT CAN HAPPEN

Loss of control, accident and/or overturn

HOW TO AVOID THE HAZARD

- Always use the size and type of tires specified in the Owner's Manual for this vehicle. Always maintain proper tire pressure as described on the decal and in the Owner's Manual.



SAFETY

Operator Safety

WARNING

Leaving the keys in the master switch can lead to unauthorized use of the vehicle resulting in serious injury or death. Always remove the master switch key when the vehicle is not in use.

WARNING

After any overturn or accident, have a qualified service dealer inspect the entire vehicle for possible damage, including (but not limited to) brakes, throttle and steering systems.

CAUTION

- Hot Electric Motor Temperature can exceed 200° F.
- Do not attempt any type of servicing: operations before reading and understanding all notes, cautions and warnings in this manual.
- Wear eye protection when working on vehicle. Use extra care when working around batteries, or using solvents or compressed air.
- Turn off all electrical loads from battery before removing battery wires.
- Wrap wrenches with vinyl tape to reduce possibility of a dropped wrench 'shorting out' a battery, which could result in an explosion.
- Remove and ground sparkplug wires and disconnect battery at negative terminal before servicing.
- Treat all electrolyte spills to body and eyes with extended flushing with clear water. Contact a physician.
- Insulate metal aerosol containers of battery terminal protectant to reduce chance of contacting battery terminals which could result in an explosion.

WARNING

Remove flammable material containers from box before filling. Passengers can be thrown off. This can cause serious injury or death. Never carry passengers in cargo box.

CONTAINER/PASSENGER/TIRE PRESSURE WARNING

- Maximum LSV Box Load 850 lbs.
- IMPROPER TIRE PRESSURE OR OVERLOADING can cause loss of control resulting in SEVERE INJURY OR DEATH.
- TIRE PRESSURE IN PSI: LSV FRONT 10 REAR 10
- MAXIMUM WEIGHT CAPACITY INCLUDES WEIGHT OF OPERATOR, PASSENGER, CARGO AND ACCESSORIES.
- LSV is 1750 LBS
- Overloading or carrying tall, off-center, or unsecured loads will increase your risk of losing control. Loads should be centered and carried as low as possible in box. For stability on rough or hilly terrain, reduce speed and cargo. Be careful if load extends over the side of the box.



FEATURES AND CONTROLS

Ride Your Bad Boy for miles, then simply plug it into any standard wall socket.



The batteries in the Bad Boy MTV may be located under the seat, hood, or bed depending model.

DASHBOARD CONTROLS

NOTICE

Do not attempt to shift the transmission while the vehicle is moving or damage to the transmission could result. Always shift when the vehicle is stationary.



Battery Meter

High/Low Gear Selector

Master Switch

The master switch is a two-position, key-operated switch. The key can be removed from the switch when it is in the OFF position.

Direction Selector

4-Wheel Drive Selector

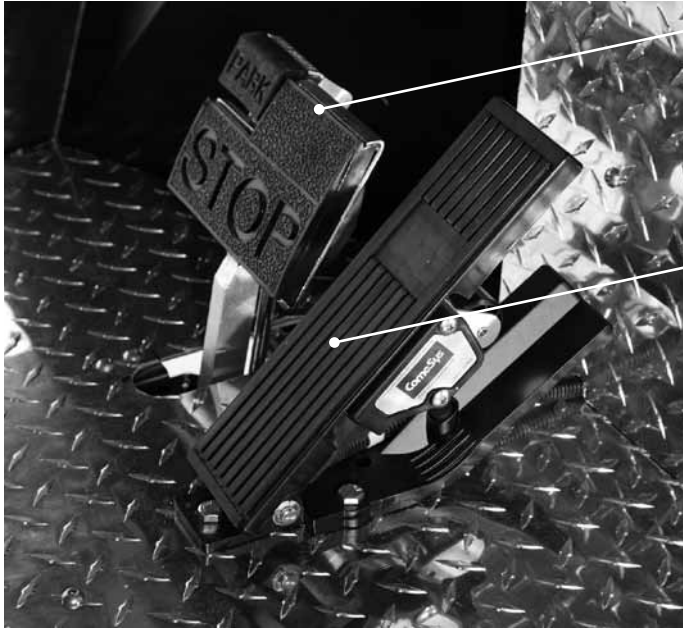
12V Plug-In

A WARNING

Leaving the keys in the master switch can lead to unauthorized use of the vehicle resulting in serious injury or death. Always remove the master switch key when the vehicle is not in use



ACCELERATOR AND BRAKE CONTROLS



Brake

Accelerator

To help prevent the vehicle from rolling, engage the park brake when parking the vehicle. When the park brake is fully engaged and the park brake indicator is illuminated. Parking Brake has an interlock switch which prevents vehicle operation while the parking brake is set

NOTE: This feature will not operate properly if the park brake connector or switch (under the hood) malfunctions or becomes disconnected, or if the switch has moved. Check for disconnection, and then see your dealer promptly if this feature fails to operate properly.

Inspect and adjust park / Service Brake cable tension after the first 25 hours of operation and every 100 hours thereafter to ensure proper cable tension.

Apply the brakes.

To release the park brake, apply the brakes

Depressing Service Brake unlocks Parking Brake

WARNING

Operating the vehicle while the park brake is engaged could cause loss of control and result in serious injury or death. Always disengage the park brake before operating the vehicle.

ELECTRIC BED DUMP



Dump Bed Switch

Dumping the Cargo Box

WARNING

Operating the vehicle while the cargo box is raised could result in severe injury. Never operate this vehicle with the cargo box in the raised position.

WARNING

If the weight distribution on the box is located toward the rear of the box, the box may dump unexpectedly and cause serious injury to the operator or bystanders.

Never operate the dump lever without ensuring that the load is positioned evenly or at the front of the box.

SEAT BELTS

WARNING

Falling from a moving vehicle could result in serious injury or death. Always fasten your seat belt securely before operating or riding in the Bad Boy MTV. Passengers under five years of age require special restraints, which are not available with this vehicle. No person under the age of five may ride in the Bad Boy MTV

The Bad Boy LSV is equipped with three point-style seat belts for the operator and passenger. To wear the seat belt properly, follow this procedure:

- Place the belt across your lap as low on your hips as possible.
- Make sure that the belt is not twisted.
- Push the latch plate into the buckle until it clicks.
- Release the strap, it will self tighten.
- To release the seat belt, press the square red button in the buckle's center.





OPERATION

Pre-Ride Inspection

WARNING

If a proper inspection is not done before each use, severe injury or death could result. Always inspect the vehicle before each use to ensure it's in proper operating condition.

<u>Part Item</u>	<u>Comment</u>
Brake system / pedal travel	Ensure proper operation
Brake fluid.....	Ensure proper level
Steering	Ensure free operation
Tires.....	Inspect condition and pressure
Wheels/fasteners.....	Inspect, ensure fastener tightness
Frame nuts, bolts, fasteners	Inspect, ensure tightness
Indicator lights and switches.....	Ensure operation
Headlamp	Check operation, apply dielectric grease when lamp is replaced
Turn signals / Horn / Brake light.....	Ensure proper operation of each.

Driving On Slippery Surfaces

When driving on slippery surfaces such as wet trails, loose gravel, or ice, be alert for the possibility of skidding and sliding. Under these conditions, follow these precautions:

- Slow down when entering slippery areas.
- Maintain a high level of alertness, reading the trail and avoiding quick, sharp turns, which can cause skids.
- Correct a skid by turning the steering wheel in the direction of the skid.
- Drive with 4WD engaged (if equipped) to assist in controlling the vehicle.

NOTICE

Severe damage to the drive train may occur if the 4WD is engaged while the wheels are spinning. Always allow the wheels to stop spinning before engaging 4WD.

WARNING

Failure to exercise care when operating on slippery surfaces can result in loss of tire traction and cause loss of control, accident, and serious injury or death. Never apply the brakes during a skid. Do not operate on excessively slippery surfaces. Always reduce speed and use additional caution when operating on slippery surfaces.



OPERATION

Driving Uphill

- Whenever traveling uphill, follow these precautions:
- Always travel straight uphill.
- Avoid steep hills (15° maximum).
- Keep both feet on the floor.
- Proceed at a steady rate of speed.

WARNING

Climbing hills improperly can cause loss of control or vehicle overturn. Always check the terrain carefully before climbing a hill. Braking and handling are greatly affected when operating in hilly terrain. Improper procedure could cause loss of control or overturn and result in serious injury or death. Avoid climbing steep hills (15° maximum). Use extreme caution when operating on hills, and follow proper operating procedures outlined in the owner's manual. Never climb hills with excessively slippery or loose surfaces. Never open the throttle suddenly. Never go over the crest of a hill at high speed. An obstacle, a sharp drop, or another vehicle or person could be on the other side of the hill.

Driving on side of a hill

Driving Downhill

Whenever descending a hill, follow these precautions:

- Proceed directly downhill.
- Slow down.
- Apply the brakes slightly to aid in slowing.

WARNING

Traveling downhill improperly could cause loss of control or vehicle overturn. Always check the terrain carefully before descending a hill. Never descend a hill at high speed. Excessive speed may result in loss of vehicle control and lead to serious injury or death. Always operate slowly when traveling downhill. Avoid descending a hill at an angle, which would cause the vehicle to lean sharply to one side. Travel straight downhill when possible.

Driving Through Water

WARNING

The large tires on your MTV may cause the vehicle to float in deep or fast-flowing water, which could result in loss of control and lead to serious injury or death. Never cross deep or fast-flowing water with your MTV. Your Bad Boy MTV/LSV is not designed to operate in standing or flowing water. Do not operate MTV/LSV in standing or flowing water.



OPERATION

Driving Over Obstacles

Be alert! Look ahead and learn to read the terrain you're traveling on. Watch for hazards such as logs, rocks and low hanging branches.

WARNING

Severe injury or death can result if your vehicle suddenly comes in contact with a hidden obstacle. Not all obstacles are immediately visible. Reduce speed and travel with caution in unfamiliar terrain.

Driving in Reverse

Follow these guidelines when operating in reverse:

- Back slowly.
- Apply the brakes lightly for stopping.
- Avoid turning at sharp angles.
- Always avoid backing downhill.
- Never open the throttle suddenly while backing.
- Always inspect left and right fields of vision before backing.

WARNING

Failure to use caution when operating in reverse can result in serious injury or death. Before shifting into reverse, always check for obstacles or people behind the vehicle and follow the reverse operation procedures outlined in this manual. Always back slowly.

Parking on an Incline

Avoid parking on an incline if possible. If it's unavoidable, follow these precautions:

- Apply the brakes.
- Place the transmission in gear.
- Engage the park brake.
- Turn the switch off.
- Block the rear wheels on the downhill side.

WARNING

A rolling vehicle can cause property damage and serious injury. Always engage the park brake when stopping the engine. Always block the downhill side of the wheels if leaving the vehicle on a hill. Operating the vehicle while the park brake is engaged could cause loss of control and result in serious injury or death. Always disengage the park brake before operating the vehicle.



OPERATION

Hauling Cargo

The Bad Boy MTV has been designed to carry or tow specific capacities. Always read and understand the load distribution warnings listed on the warning labels. Never exceed the following capacities.

WARNING

Driving with passengers in the cargo box can result in severe injury or death. Never allow passengers to ride in the cargo box. Passengers must always ride in the cab with seat belts fastened securely.

Towing Loads

Always follow these precautions when towing:

- Never exceed 10 MPH while towing a trailer.
- Towing a trailer increases braking distance.
- Never tow a trailer on a grade steeper than 15°.

WARNING

Towing improperly can alter vehicle handling and may cause loss of control or brake instability, which can result in serious injury or death.

Parking the Vehicle

- Apply the brakes. Stop the vehicle on a level surface.
- Turn the motor off.
- Engage the park brake.
- Remove the ignition switch key to prevent unauthorized use.

WARNING

A rolling vehicle can cause property damage and serious injury or death. Always engage the park brake when stopping the engine.



MAINTENANCE

LIFTING THE VEHICLE

Tool List

Floor jack	1
Jack stands	4
Chocks	4

Some servicing operations may require the front wheels, the rear wheels, or the entire vehicle be raised.

WARNING

To reduce the possibility of severe injury or death from a vehicle falling from a jack:

- Be sure the vehicle is on a firm and level surface.
- Never get under a vehicle while it is supported by a jack.
- Use jack stands and test the stability of the vehicle on the stands.
- Always place chocks in front and behind the wheels not being raised.
- Use extreme care since the vehicle is extremely unstable during the lifting process.

CAUTION

When lifting vehicle, position jacks and jack stands at the areas indicated only.

To raise the entire vehicle, install chocks in front and behind each front wheel; Center the jack under the rear frame cross-member. Raise the vehicle enough to place a jack stand under the outer ends of the rear axle.

Lower the jack and test the stability of the vehicle on the two jack stands.

Place the jack at the center of the front axle. Raise the vehicle enough to place jack stands under the frame cross-member as indicated.

Lower the jack and test the stability of the vehicle on all four jack stands.

If only the front or rear of the vehicle is to be raised, place the chocks in front and behind each wheel not being raised to stabilize the vehicle.

Lower the vehicle by reversing the lifting sequence.



MAINTENANCE

Periodic Maintenance

Careful periodic maintenance will help keep your vehicle in the safest, most reliable condition. Inspection, adjustment and lubrication of important components are explained in the periodic maintenance chart.

Inspect, clean, lubricate, adjust and replace parts as necessary. When inspection reveals the need for replacement parts, use genuine Bad Boy parts available from your Bad Boy Dealer.

NOTE: Service and adjustments are important for proper vehicle operation. If you're not familiar with safe service and adjustment procedures, have a qualified dealer perform these operations.

Maintenance intervals in the following chart are based upon average riding conditions and an average vehicle speed of approximately ten (10) miles per hour. Vehicles subjected to severe use must be inspected and serviced more frequently.

Severe Use Definition:

- Immersion in mud, water or sand
- Racing use
- Prolonged low speed, heavy load operation

WARNING

Improperly performing the procedures marked with a * could result in component failure and lead to serious injury or death. Have an authorized Bad Boy dealer perform these services.



PERIODIC MAINTENANCE CHART

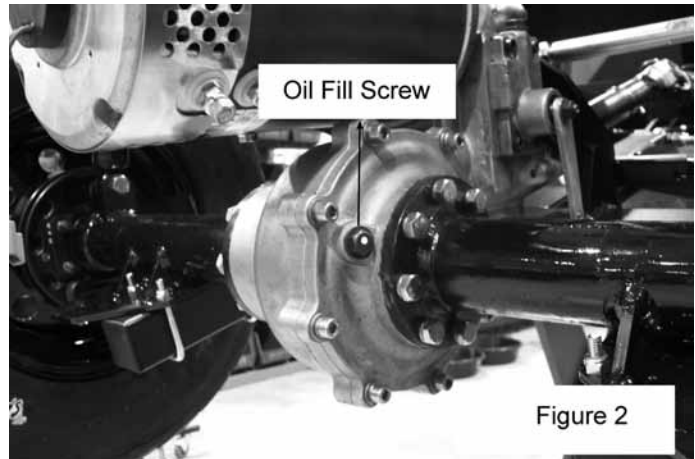
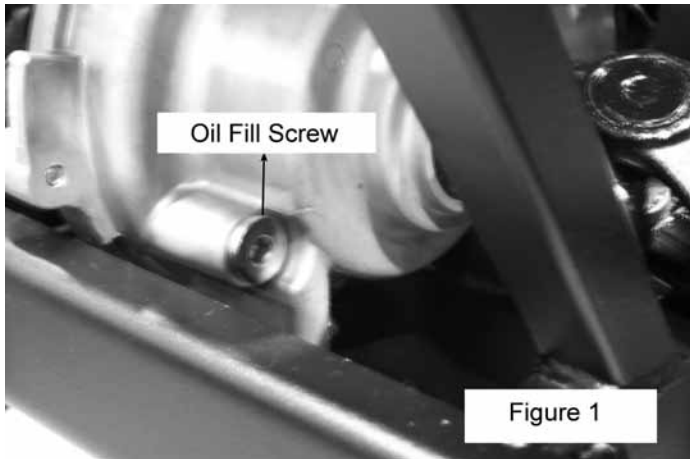
Perform all services at whichever maintenance interval is reached first.

P - Perform these procedures more often for vehicles subjected to severe use.
 D - Have an authorized Bad Boy dealer perform these services.

CODE	PART / FUNCTION	UNIT	When	PROCEDURE
P	Steering	LSV	Pre-Ride	Make adjustments as needed.
P	Front suspension	LSV	Pre-Ride	Make sure connections are tight.
P	Rear suspension	LSV	Pre-Ride	Make sure connections are tight.
P	Tires	LSV	Pre-Ride	Check pressure and make sure tread is acceptable.
P	Brake fluid level	LSV	Pre-Ride	Make sure fluid is just below the max line.
P	Brake pedal travel	LSV	Pre-Ride	Make sure brake pedal is not spongy.
P	Brake system	LSV	Pre-Ride	Make sure brakes are functional.
P	Wheels/fasteners	LSV	Pre-Ride	Check bead seat and wheel for cracks.
P	Frame fasteners	LSV	Pre-Ride	Make sure frame is tight.
D	Brake pad wear	LSV	10 H Monthly	Make sure pads are within acceptable limits.
P	Batteries	LSV	20 H Monthly	Check terminals; clean; test. See battery flyer
P	Front Gear case Oil*	LSV	25 H Monthly	Inspect level; change yearly. Use 80w 90 oil
P	Rear Gear case Oil **	LSV	25 H Monthly	Inspect level; change yearly. Use hydraulic oil

* See figure 1

** See figure 2





PERIODIC MAINTENANCE CHART

CODE	ITEM	UNIT	HOURS	When	Procedure
P	Park brake cable tension	LSV	25 H	Monthly	Check tension, adjust
P	General lubrication***	LSV	50 H	3 Months	Lubricate all fittings, pivots, cables, etc.
P	Shift Linkage	LSV	50 H	6 Months	Inspect, lubricate, adjust
D	Steering	LSV	50 H	6 Months	Lubricate
P	Front Suspension	LSV	50 H	6 Months	Lubricate
P	Rear Suspension	LSV	50 H	6 Months	Lubricate

*** See figures 3a and 3b below

Figure 3a

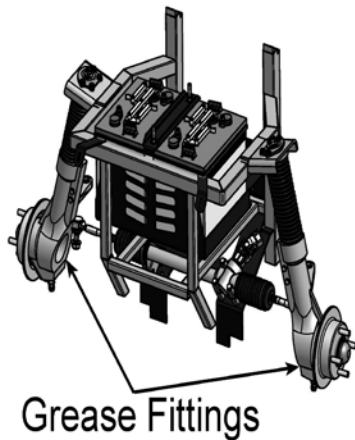
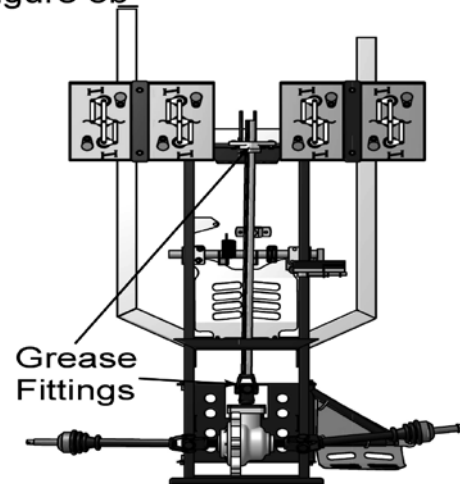


Figure 3b



Unit may also have 2 grease fittings on the telescoping driveshaft.

Vehicle Immersion

NOTICE

If your electric vehicle becomes immersed, major motor damage will result. Mud and sand will also cause major motor damage and will void the manufacturer's warranty.

Take the vehicle to your dealer for service as soon as possible, do not try to drive vehicle.



MAINTENANCE

Seat Belts

Inspect all seat belts for proper operation before each use of the vehicle.

Push the latch plate into the buckle until it clicks. The latch plate must slide smoothly into the buckle. A click indicates that it's securely latched.

Push the red button in the middle of the buckle to make sure it releases freely.

Check the belt webbing for wear, cuts or damage. If any irregularities are found, have the seat belt system checked and/or replaced by an authorized Bad Boy dealer.

The MTV seat belt is adjustable and should be adjusted for both the operator and passengers before driving. Although having the belt at 30° is typical for many people, it will not accommodate all body sizes and shapes. Make sure the seat belt is adjusted to the lowest possible lap position before riding.

To adjust, loosen the bolts.

Reposition both the buckle and retractor. Tighten the bolts.

WARNING

Failure to follow the age recommendations for this vehicle could result in serious injury or death. No one under the age of 16 may operate this vehicle. No one under the age of 5 may ride as a passenger in this vehicle.

Foot Pedal Throttle System

- Always check the pedal for free movement and return before starting the engine and occasionally during operation.
- Never start or operate this vehicle if it has a sticking or improperly operating throttle pedal.
- Immediately contact your dealer for service if throttle problems arise.

Throttle Free-play

The throttle may also not open fully. If the throttle pedal has no free-play, the throttle may be hard to control, and the idle speed may be erratic.

- Check the throttle pedal free-play. Adjust the free-play if necessary.
- Apply the brakes. Engage the park brake. Place travel selector in FWD/REV

WARNING

Failure to check or maintain proper operation of the throttle system can result in an accident and lead to serious injury or death if the throttle pedal sticks during operation.



MAINTENANCE

Brakes

The front brakes are hydraulic disc type brakes. Press down on the brake pedal to engage the brakes.

The rear brakes are mechanical linkage drum type brakes. Press down on the brake pedal to engage the brakes.

The speed controller utilizes regenerative braking when foot pedal is no longer depressed. Be sure and gain a strong level of confidence in this feature before frequent operation.

Brake Fluid

Inspect the brake system routinely. Inspect the level of the brake fluid before each operation.

Change the brake fluid every two years and any time the fluid becomes contaminated, the fluid level is below the minimum, or if the type and brand of the fluid in the reservoir are unknown.

- Position the vehicle on a level surface.
- If the fluid level is lower than the upper level line, add brake fluid to the upper (MAX) line.
- Apply the brake forcefully for a few seconds and check for fluid leakage around the fittings.
- If only front brakes are present, adjust rear linkage until front brakes catch slightly before the rear brakes catch.

WARNING

After opening a bottle of brake fluid, always discard any unused portion. Never store or use a partial bottle. Brake fluid is hygroscopic, meaning it rapidly absorbs moisture from the air. The moisture causes the boiling temperature of the brake fluid to drop, which can lead to early brake fade and the possibility of accident or severe injury.

Brake Inspection

- Check the brake system for fluid leaks.
- Check the brake pedal for excessive travel or a spongy feel.
- Check the friction pads for wear, damage and looseness.
- Inspect the brake disc spine and pad wear surface for excessive wear.
- Change pads when worn to 3/64" (1 mm).

Park Brake Inspection

Apply the brakes.

Check the vehicle for movement. The vehicle should not roll while parked. If the vehicle moves, adjust the park brake.



MAINTENANCE

Tires

WARNING

Improperly installed wheels can adversely affect tire wear and vehicle handling, which can result in serious injury or death. Always ensure that all nuts are torqued to specification. Do not service axle nuts that have a cotter pin installed. See your Bad Boy dealer.

Wheel Removal

- Apply the brakes. Engage the park brake.
- Loosen the wheel nuts slightly.
- Elevate the side of the vehicle by placing a suitable stand under the frame.
- Remove the wheel nuts and washers. Remove the wheel.

Wheel Installation

- Apply the brakes.
- Engage the park brake.
- Place the wheel in the correct position on the wheel hub. Be sure the valve stem is toward the outside and rotation arrows on the tire point toward forward rotation.
- Attach the wheel nuts and washers and finger tighten.
- Carefully lower the vehicle to the ground.
- Torque front lug nuts to 55 ft. lb. and rear lug nuts to 65 ft. lb.

Lights

WARNING

Poor lighting while driving can result in severe injury or death. Headlight lenses become dirty during normal operation. Wash the headlights frequently to maintain lighting quality. Hot components can cause burns to skin. Do not service the headlamps until they've cooled sufficiently.

Headlight Lamp Replacement

- Unplug the headlamp from the wiring harness.
- Be sure to pull on the connector, not on the wiring.
- Install the new lamp.
- Reinstall the harness assembly into the headlight assembly.

NOTE: Make sure the tab on the lamp locates properly in the housing.



MAINTENANCE

Battery

Your vehicle may have either a sealed battery, which requires little maintenance, or a conventional battery. A sealed battery can be identified by its flat covers on the top of the battery. A conventional battery has three filler caps on the top of the battery.

Always keep battery terminals and connections free of corrosion. If cleaning is necessary, remove the corrosion with a stiff wire brush. Wash with a solution of one tablespoon baking soda and one cup water. Rinse well with tap water and dry off with clean shop towels. Coat the terminals with dielectric grease or petroleum jelly. Be careful not to allow cleaning solution or tap water into the battery.

WARNING

Battery electrolyte is poisonous. It contains sulfuric acid. Serious burns can result from contact with skin, eyes or clothing.

Conventional Battery

Antidote:

External: Flush with water.

Internal: Drink large quantities of water or milk. Follow with milk of magnesia, beaten egg, or vegetable oil. Call physician immediately.

Eyes: Flush with water for 15 minutes and get prompt medical attention.

Batteries produce explosive gases.

Keep sparks, flame, cigarettes, etc. away. Ventilate when charging or using in an enclosed space. Always shield eyes when working near batteries.

KEEP OUT OF REACH OF CHILDREN.

WARNING

Improperly connecting or disconnecting battery cables can result in an explosion and cause serious injury or death. When removing the battery, always disconnect the negative cable first. When reinstalling the battery, always connect the negative cable last.

Battery Removal

- On conventional batteries, remove the battery vent tube.
- Disconnect the negative battery cable first.
- Disconnect the positive battery cable last.
- Lift the battery out of the vehicle. Be careful not to tip a conventional battery sideways, which could spill electrolyte.

NOTICE: If electrolyte spills, immediately wash it off with a solution of one tablespoon baking soda and one cup water to prevent damage to the vehicle.



MAINTENANCE

Battery Installation

Using a new battery that has not been fully charged can damage the battery and result in a shorter life. It can also hinder vehicle performance.

- Ensure that the battery is fully charged.
- Place the battery in the battery holder.
- With conventional batteries, install the battery vent tube (sealed batteries do not have a vent tube).

NOTE: The vent tube must be free of obstructions and securely installed. Route the tube away from the frame and vehicle body to prevent contact with electrolyte.

WARNING

Battery gases could accumulate in an improperly installed vent tube and cause an explosion, resulting in serious injury or death. Always ensure that the vent tube is free of obstructions and is securely installed as recommended.

- On conventional batteries, coat the terminals with dielectric grease or petroleum jelly.
- Connect and tighten the positive cable first.
- Connect and tighten the negative cable last.
- Verify that cables are properly routed.

Battery Charging (Sealed Battery)

The following battery charging instructions apply only to the installation of a sealed battery. Read all instructions before proceeding with the installation of this battery.

- The sealed battery is already filled with electrolyte and has been sealed and fully charged at the factory.
- Never pry the sealing strip off or add any other fluid to this battery.
- The single most important thing about maintaining a sealed battery is to keep it fully charged.
- Since the battery is sealed and the sealing strip cannot be removed, you must use a voltmeter or multi-meter to measure DC voltage.

WARNING

An overheated battery may explode, causing severe injury or death. Always watch charging times carefully. Stop charging if the battery becomes very warm to the touch. Allow it to cool before resuming charging.

Cleaning and Storage — Washing the Vehicle

Keeping your Bad Boy MTV clean will not only improve its appearance but it can also extend the life of various components.

NOTICE: High water pressure may damage components. Bad Boy recommends washing the vehicle by hand or with a garden hose, using mild soap.



Certain products, including insect repellents and chemicals, will damage plastic surfaces. Do not allow these types of products to contact the vehicle.

- The best and safest way to clean your MTV is with a garden hose and a pail of mild soap and water.
- Use a professional-type washing cloth, cleaning the upper body first and the lower parts last.
- Rinse with clean water frequently.
- Avoid the use of harsh cleaners, which can scratch the finish.
- Do not use a power washer to clean the vehicle.
- Do not use medium to heavy duty compounds on the finish.
- Always use clean cloths and pads for cleaning and polishing. Old or reused cloths and pads may contain dirt particles that will scratch the finish.

If a high pressure water system is used for cleaning (not recommended), exercise extreme caution. The water may damage components and could remove paint and decals. Avoid directing the water stream at the following items:

- Wheel bearings
- Brakes
- Cab and body panels
- Labels and decals
- Electrical components and wiring
- Battery Charger

WARNING

The onboard 48vDC, 18 Amp Battery Charger is NOT Rated For Water Intrusion. DO NOT DIRECTLY SPRAY WITH WATER. Doing So May Cause Serious Injury or Death

NOTE: DIRECTLY SPRAYING onboard 48vDC, 18 Amp Battery Charger May VOID WARRANTY.

NOTE: If warning and safety labels are damaged, contact your Bad Boy dealer for free replacement.

- Make any necessary repairs and clean the vehicle as recommended.
- The Bad Boy Electric MTV may be kept on charge for short-term storage and charging guidelines are followed.
- Routinely charge the MTV throughout the duration of storage.

Transporting the MTV

Follow these procedures when transporting the vehicle:

- Apply the brakes.
- Engage the park brake.
- Stop the motor.
- Place the transmission in gear.
- Remove the key to prevent loss during transporting.
- Always tie the frame of the MTV to the transporting unit
- Securely with suitable straps or rope.
- Do not attach tie straps to the front A-arm bolt pockets.



2009/2010 BAD BOY INC
4X4 ELECTRIC LSV (Low Speed Vehicle)

LIMITED WARRANTY

The BAD BOY 4X4 LSV was manufactured with the primary intent for use on public streets, roads, and highways. Off road use could void warranty.

Limited, One-Year Warranty

Bad Boy, Inc. will, at its option, repair or replace, without charge, any part covered by the warranty which is found to be defective in material and/or workmanship within one year after date of sale to the original retail purchaser of a new Bad Boy 4X4, Electric LSV. This limited warranty will be subject to certain limitations. Also, Bad Boy, Inc. will not be responsible for defects attributed to abuse, accidents, nature or vandalism.

Warranty Period

Bad Boy LSV 4X4 electric vehicles shall carry a warranty of one year after the specific date of purchase for both private and commercial users. This one year warranty will only be valid for the original purchaser of the vehicle, and the warranty will not be transferable to succeeding purchasers.

Replacement Parts

Bad Boy LSV dealers will repair or replace, at Bad Boy Inc's option, any defective part during the one year warranty period. The parts, to be warranted, must be defective in material and/or workmanship. All replacement parts must be obtained from Bad Boy, Inc.

Battery Warranty

The batteries used to power the Bad Boy LSV will carry a one year, free replacement warranty. These warranty claims will be handled by the manufacturer, Interstate Battery.

Exclusions

This warranty does not cover defects caused by depreciation or damage caused by normal wear, accidents, improper maintenance, improper use or abuse of the product, or failure to follow the instructions contained in any owner's manual for operation and maintenance. Some specific exclusions include but are not limited to: light bulbs, wheels, tires, brakes, cv boots or upholstery.

Responsibility of the Customer

It is the responsibility of the customer to register his/her machine for warranty by promptly returning a completed warranty registration card within 30 days from the date of purchase. Also, the customer must operate and maintain his/her machine within the proper guidelines of the owner's manual.

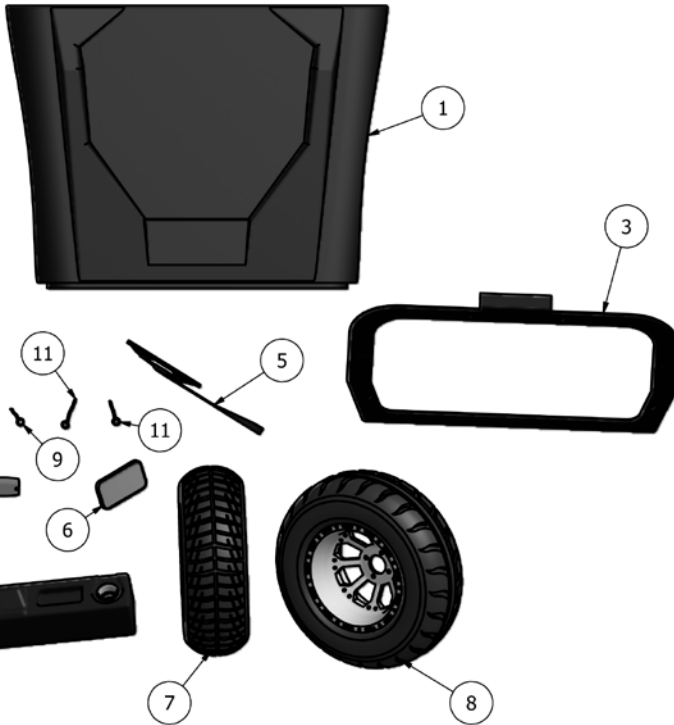
This warranty gives you specific legal rights, and you may also have other rights, which may vary from state to state.

Any warranty issues that arise can be handled by your Bad Boy MTV/LSV dealer or at:
Bad Boy, Inc • 102 Industrial Drive • Batesville, AR 72501 • (866) 622-3269

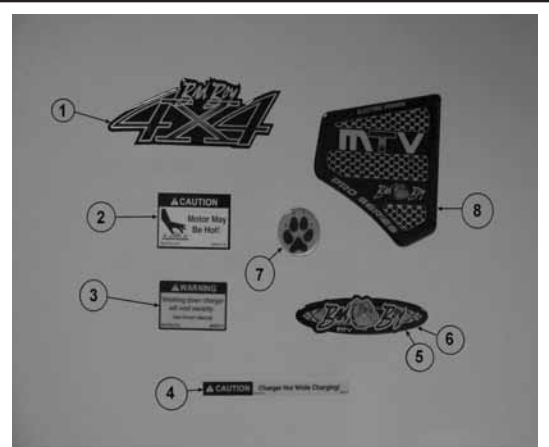


PARTS MANUAL FOR YOUR MTV-LSV

LSV KIT PACK

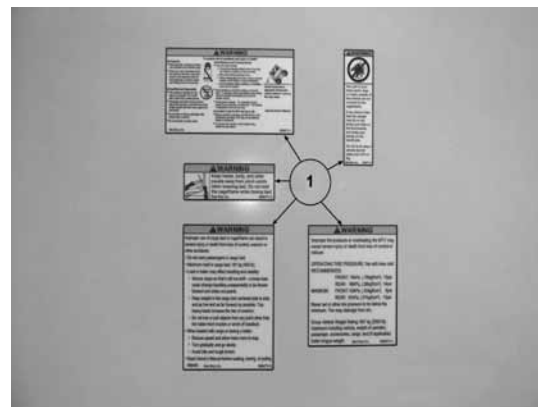


LABELS/DECALS



Parts List			
ITEM	QTY	PART NUMBER	DESCRIPTION
1	1	693-8010-00	LSV 2 Seat Hard Top
2	1	693-3525-00	Dash Console
3	1	693-3522-00	Windshield Dot Glass
5	1	693-3524-00	Wiper Assembly
6	1	693-3550-00	Rear View Mirror, Seizmik 1810
7	1	622-5115-00	Left Rear Tire 25R10-12
8	1	622-5110-00	Right Rear Tire 25R10-12
9	2	688-1002-00	Front Turn Signal, Maxxima M093008
10	1	688-1001-00	Tail light/ Brake Light assy, Maxxima m42205a
11	2	688-1003-00	Rear Turn Signal, Maxxima M093008, Red
12	1	688-1004-00	Horn

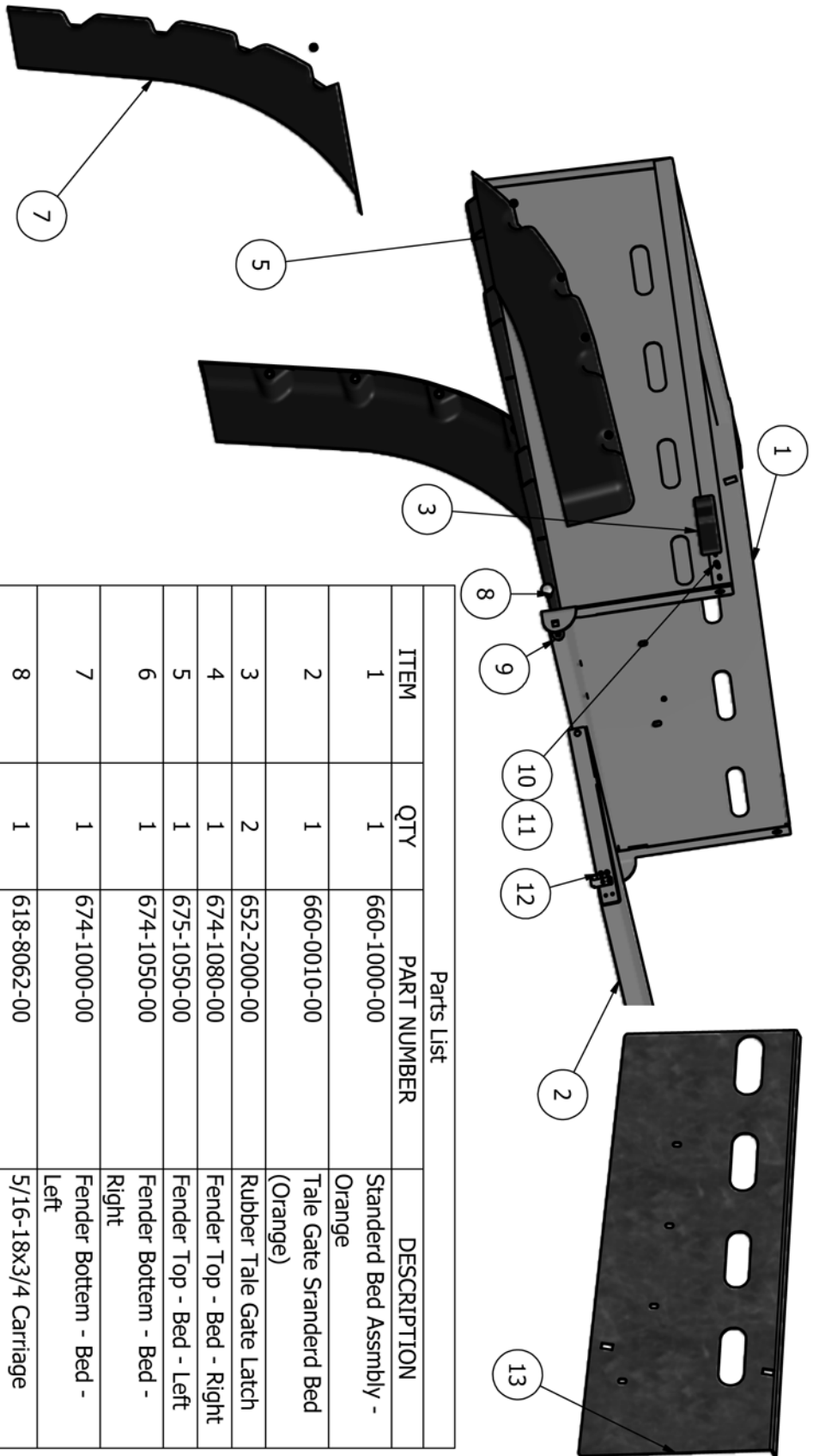
Parts List			
ITEM	QTY	PART NUMBER	DESCRIPTION
1	1	691-0025-00	4x4 Decal
2	1	691-3025-00	Hot Motor Caution Label, BBMTV-08
3	1	691-3000-00	Battery Charger Warning Label
4	1	691-3030-00	Hot charge caution label
5	1	691-0010-00	Front Dome Decal
6	1	691-0015-00	Rear Dome Decal
7	1	691-2000-00	Paw Decal
8	1	691-2050-00	Left & Right Fender Decals - Electric



Parts List			
ITEM	QTY	PART NUMBER	DESCRIPTION
1	1	691-0020-00	Warning Cluster Decals



REAR BED ASSEMBLY

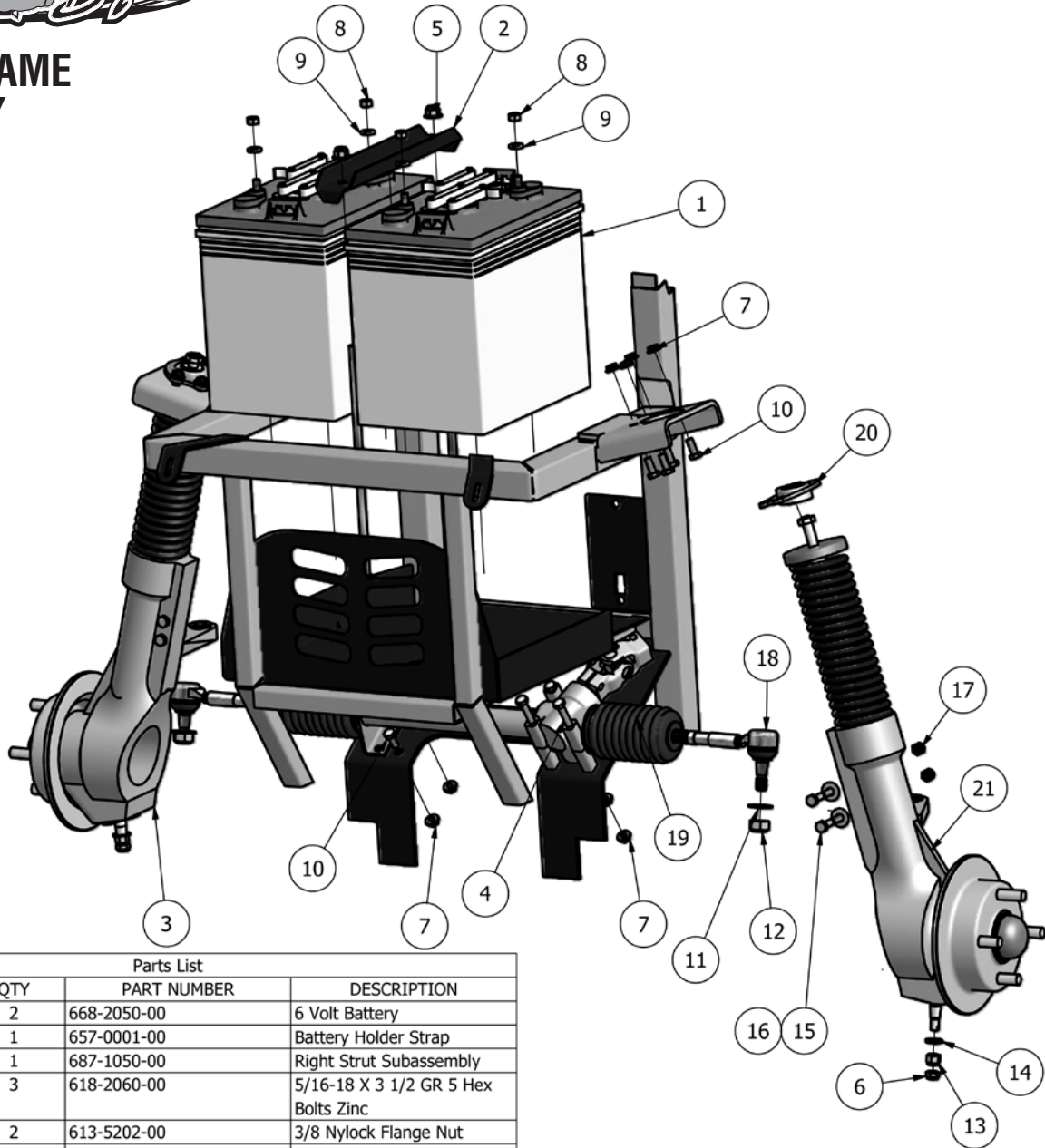


Parts List

ITEM	QTY	PART NUMBER	DESCRIPTION
1	1	660-1000-00	Standerd Bed Assembly - Orange
2	1	660-0010-00	Tale Gate Sranderd Bed (Orange)
3	2	652-2000-00	Rubber Tale Gate Latch
4	1	674-1080-00	Fender Top - Bed - Right
5	1	675-1050-00	Fender Top - Bed - Left
6	1	674-1050-00	Fender Bottem - Bed - Right
7	1	674-1000-00	Fender Bottem - Bed - Left
8	1	618-8062-00	5/16-18x3/4 Carriage Bolts Zinc
9	1	613-8049-00	5/16-18 Nylon Insert Flange Nut Zinc Orange Nylon
10	2	630-2015-00	6-32 x 1/2 Pan Phillips Head Zinc
11	2	613-0007-00	6-32 Nylon Lock Nut Zinc
12	2	618-2039-00	1/8 Rivet
13	1	660-1050-00	Right Bed Panel - Camo
14	1	660-1051-00	Left Bed Panel - Camo



FRONT FRAME ASSEMBLY

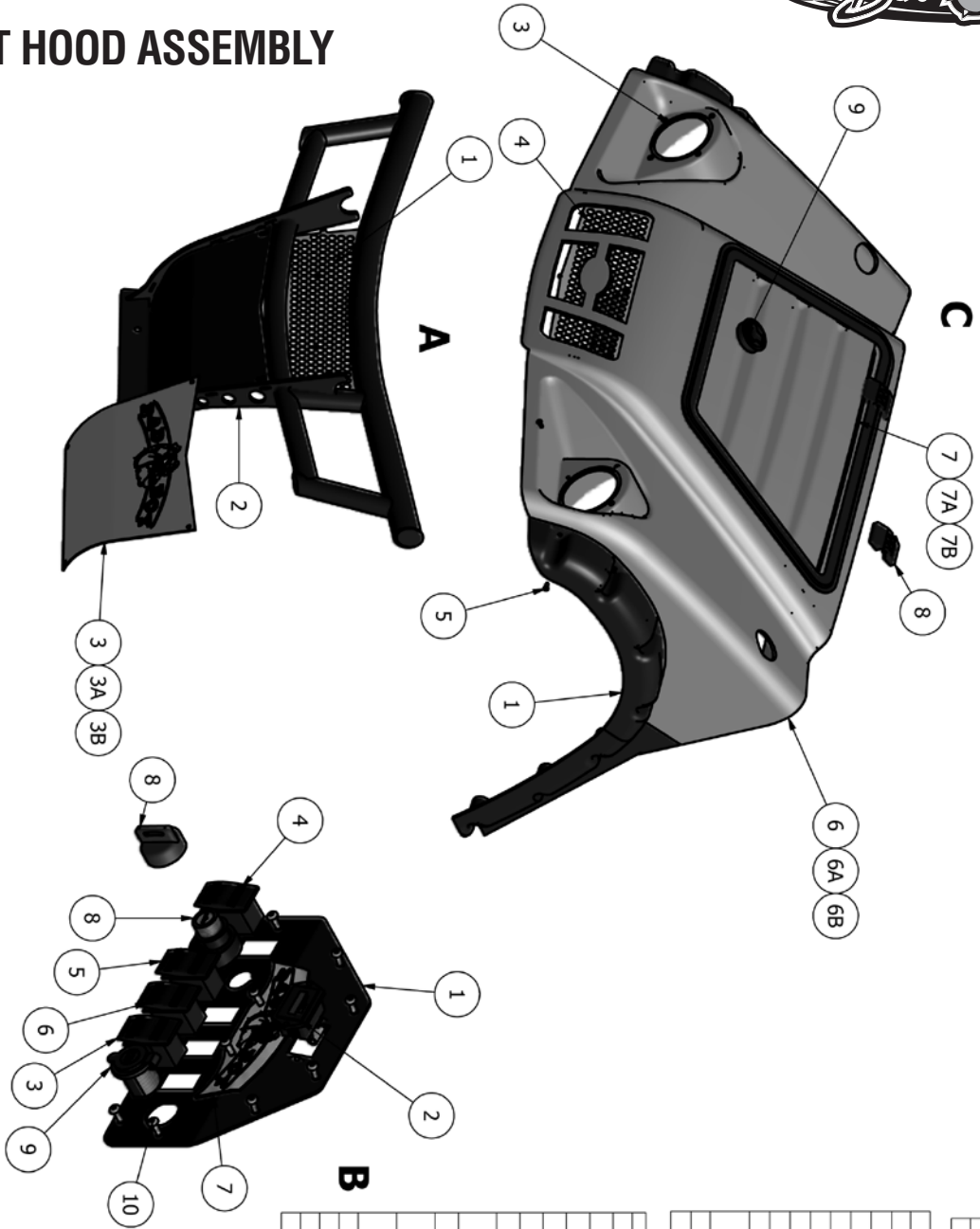


Parts List

ITEM	QTY	PART NUMBER	DESCRIPTION
1	2	668-2050-00	6 Volt Battery
2	1	657-0001-00	Battery Holder Strap
3	1	687-1050-00	Right Strut Subassembly
4	3	618-2060-00	5/16-18 X 3 1/2 GR 5 Hex Bolts Zinc
5	2	613-5202-00	3/8 Nylock Flange Nut
6	2	618-4011-00	3/8-24 Nylon Insert Locknut Zinc Orange Nylon
7	13	613-9002-00	5/16-18 Hex Flange Nuts Zinc w/Serations
8	4	613-8043-00	5/16-18 Hex Nuts Zinc
9	4	619-0023-00	5/16 Lock Washer 18-8 SS
10	10	618-8063-00	5/16-18 x 3/4 GR 5 Hex bolt Zinc
11	2	619-1050-00	5/8 USS Flat Washer Grade 8
12	2	613-7021-00	5/8-11Nylon Locknut Zinc Orange Nylon
13	2	613-5041-00	3/8-16 Nylon Insert Locknut Zinc Orange Nylon
14	2	619-5029-00	3/8 USS Flat Washer Zinc
15	4	618-5345-00	5/16-18 x2 Hex Bolt Grade 2 Zinc
16	4	619-8044-00	5/16 USS Flat Washer Zinc
17	4	613-8047-00	5/16-18 Nylon Insert Locknut Zinc Orange Nylon
18	2	637-1051-00	Tie Rod End
19	1	637-0050-00	Steering Shaft Assembly
20	2	610-1000-00	Upper Strut Bearing
21	1	687-1000-00	Left Strut Subassembly



FRONT HOOD ASSEMBLY



A

Parts List

ITEM	QTY	PART NUMBER	DESCRIPTION
1	1	602-1000-00	Brush Guard Grill
2	1	614-2000-00	Brush Guard
3	1	614-2010-00	Brush Guard Cover (Orange)
3A	1	614-2010-10	Brush Guard Cover (Black)
3B	1	614-2010-50	Brush Guard Cover (Camo)

B

Parts List

ITEM	QTY	PART NUMBER	DESCRIPTION
1	1	614-2500-00	Dash Board Switch Cover
2	1	686-0001-00	Battery Fuel Gauge
3	1	677-2050-00	Light Switch
4	1	677-3000-00	Dump Switch
5	1	677-1000-00	Forward/Reverse Switch
6	1	677-2000-00	4WD Switch
7	1	679-3000-00	Logo Panel Dash
8	1	677-4000-00	Key Switch, HomeWell
9	1	677-2075-00	12 Volt Auxiliary Plug
10	12	618-5301-00	10mm x 32 x 1" Bolt

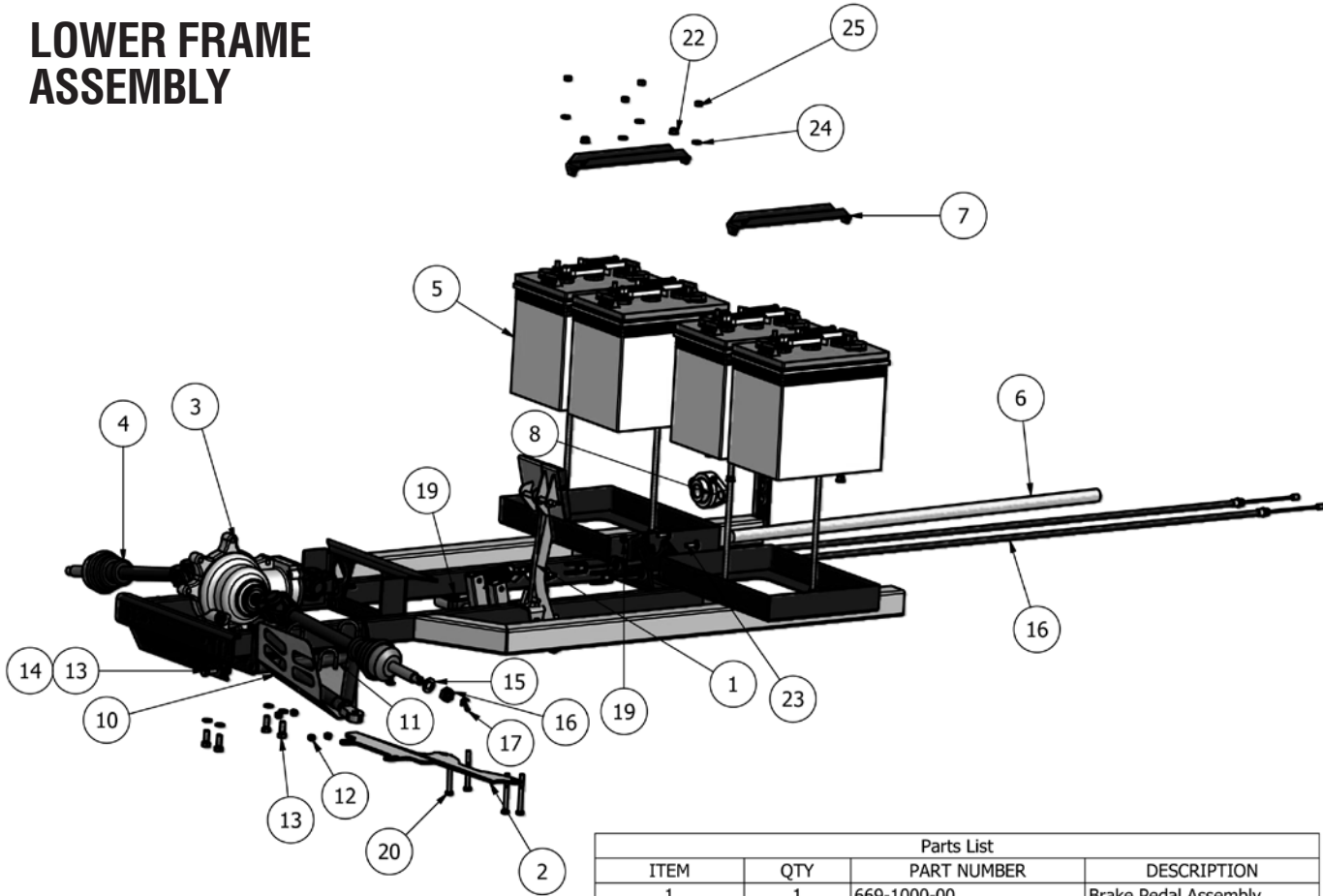
C

Parts List

ITEM	QTY	PART NUMBER	DESCRIPTION
1	1	675-1000-00	Left Hood Flare
2	1	675-1075-00	Right Hood Flare
3	2	688-1000-00	UV Headlight
4	1	602-1000-00	Brush Guard Grill
5	15	618-5301-00	10mm x 32 x 1" Bolt
6	1	659-1000-00	Hood - Orange
7	1	659-2000-00	Hood Hatch Door (Orange)
8	2	700-5000-00	Hood Hinge- Clancey
9	1	700-5010-00	Hood Latch, Clancey
6A	1	659-1000-10	Hood-Black
6B	1	659-1000-50	Hood-Camo
7A	1	659-2000-10	Hood Hatch Door (Black)
7B	1	659-2000-50	Hood Hatch Door (Camo)

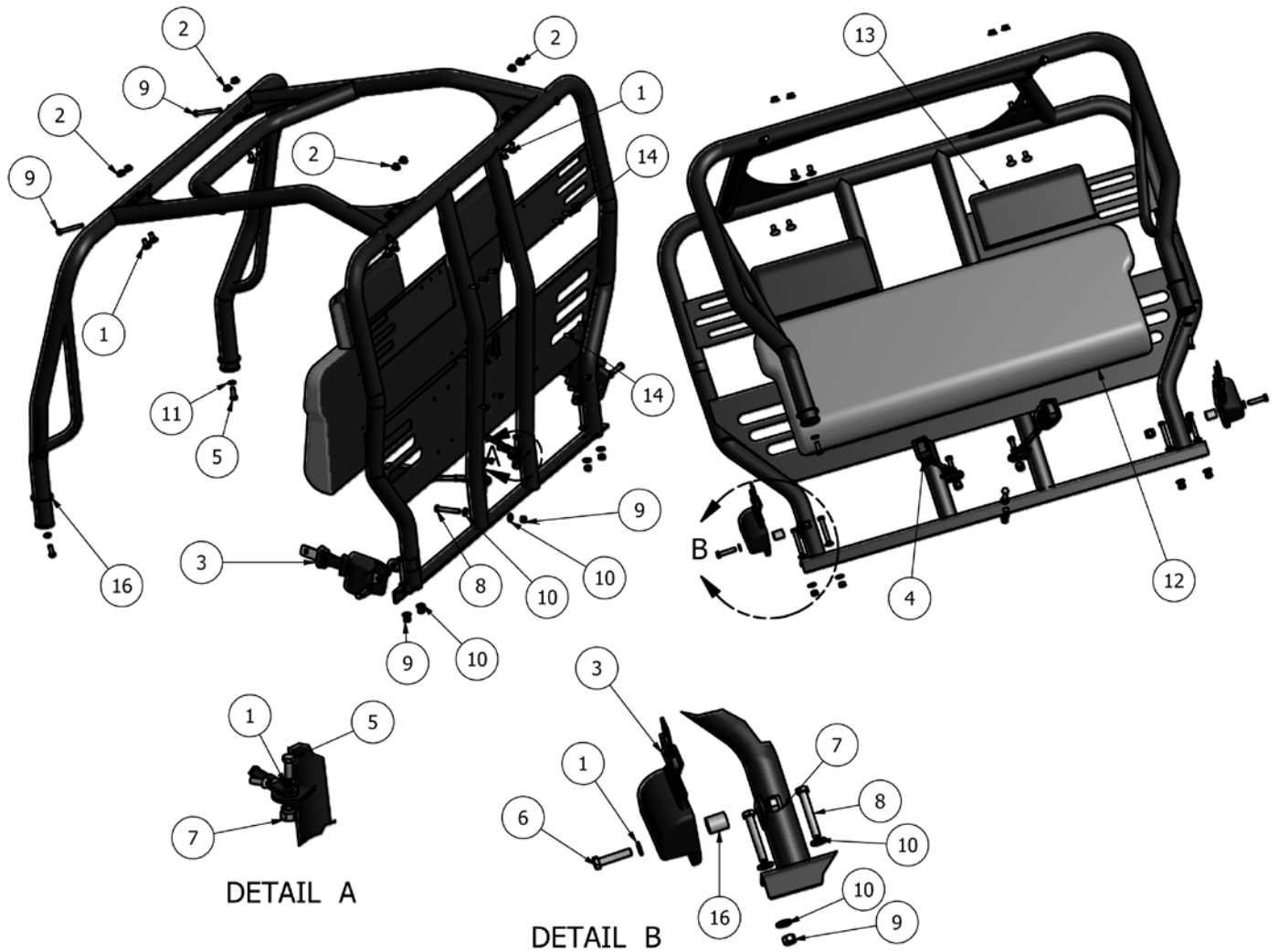


LOWER FRAME ASSEMBLY



Parts List			
ITEM	QTY	PART NUMBER	DESCRIPTION
1	1	669-1000-00	Brake Pedal Assembly
2	1	626-0025-00	Skid Plate EL
3	1	615-4000-00	CFD - Hilliard Corp. 6203-01-256-Differential
4	2	637-3000-00	Short Half Shaft - 3 inches Longer - Imaginative Manufacturing
5	4	668-2050-00	6 Volt Battery
6	1	637-4000-00	3/4 x 34-3/4 Keyed drive Shaft
7	2	657-0001-00	Battery Holder Strap
8	1	610-2050-00	Driveshaft carrier Bearing - VFMST 3/4
9	2	664-0001-00	Brake Cable-42 inch Long
11	3	618-1050-00	1/4-20x1-1/8 BLx1-1/2 LL U Bolt Zinc
12	6	613-8073-00	1/4-20 Nylon Insert Locknut Zinc Orange Nylon
13	8	618-6049-00	3/8-16 X 1 GR 5 Hex Bolts Zinc
14	8	619-5037-00	3/8 Lockwasher Zinc Grade8
15	1	619-1050-00	5/8 USS Flat Washer Grade8
16	1	613-0020-00	5/8-18 Slotted Hex Nut Zinc
17	1	620-7005-00	5/32x1 1/2 Cotter Pin Zinc
19	8	613-9002-00	5/16-18 Hex Flange Nuts Zinc w/Serations
20	4	618-4705-00	5/16-18 X 3 GR 5 Hex Bolts Zinc
21	4	618-2010-00	3/8 -16x11 Carriage Bolt
22	4	613-8049-00	5/16-18 Nylon Insert Flange Nut Zinc Orange Nylon
23	2	618-8062-00	5/16-18x3/4 Carriage Bolts Zinc
24	8	619-0023-00	5/16 Lock Washer 18-8 SS
25	8	613-8043-00	5/16-18 Hex Nuts Zinc

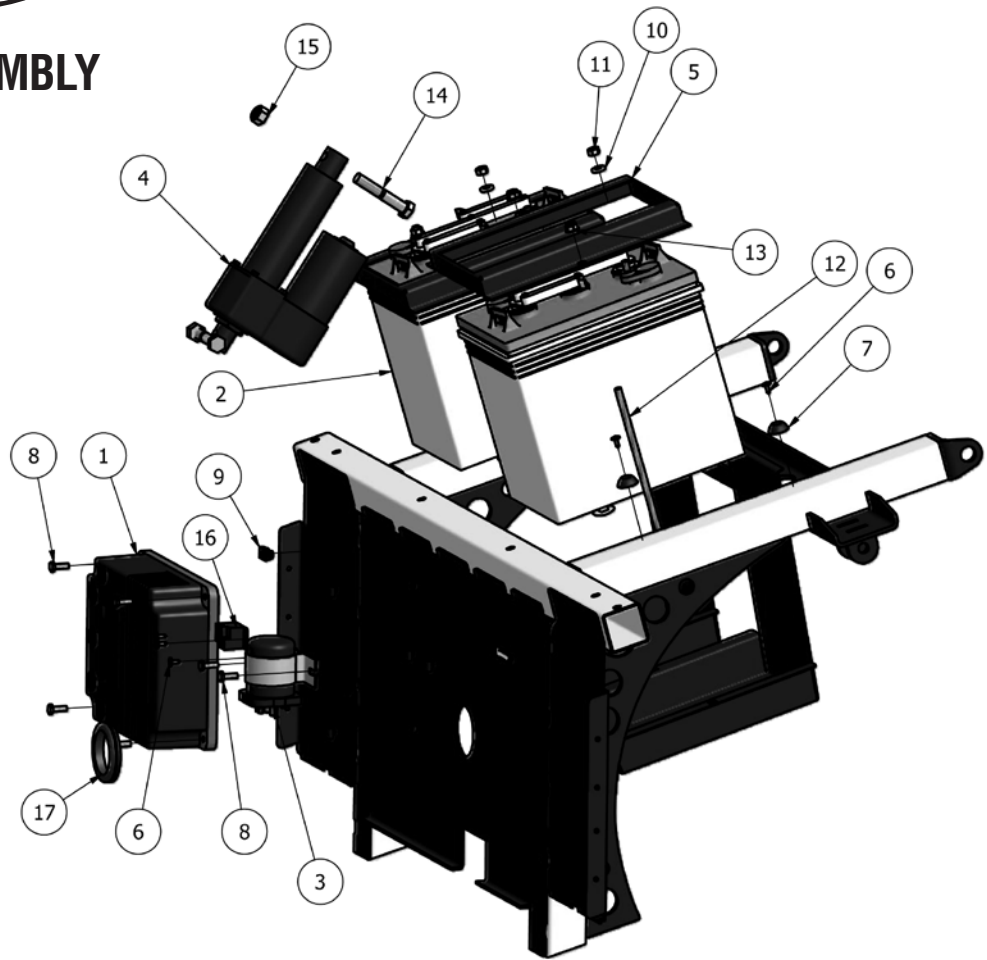
ROLL-OVER ASSEMBLY



Parts List			
ITEM	QTY	PART NUMBER	DESCRIPTION
1	8	618-8065-00	5/16-18 x 1 Carriage Bolt
2	8	613-8043-00	5/16-18 Hex Nut
3	2	971-0025-00	Retractable Seat Belt
4	2	671-0030-00	Seat Belt Latch
5	4	618-6049-00	3/8-16 x 1 GR5 Hex Bolt
6	2	618-6012-00	3/8-16 x 1 1/2 GR5 Hex Bolt
7	4	613-5202-00	3/8 Nylock Flange Nut
8	5	618-4700-00	3/8-16 x 3 GR5 Hex Bolt
9	5	613-6014-00	3/8-16 Hex Nut
10	12	619-0057-00	3/8 SAE Flatwasher
11	2	619-5037-00	3/8 Lock Washer
12	1	671-1050-00	Bench Seat Back
13	2	671-1055-00	Seat Headrest
14	14	618-2012-00	1/4-20 x 1/2 Button Socket
15	2	625-2000-00	.380 ID x .735 OD x .470 Spacer
16	2	619-0019-00	Rubber Grommet

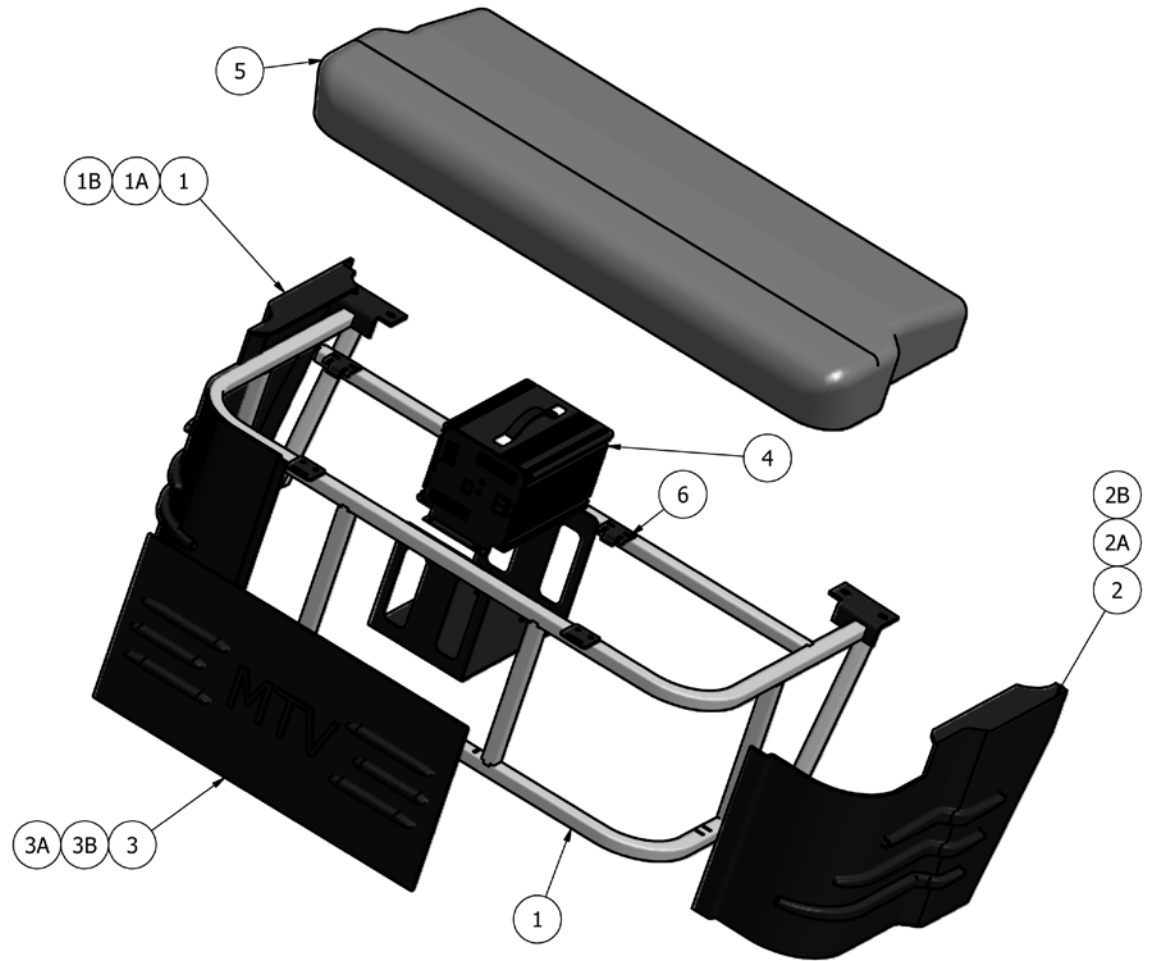


REAR FRAME ASSEMBLY



Parts List			
ITEM	QTY	PART NUMBER	DESCRIPTION
1	1	615-3000-00	Motor Speed Controller
2	2	668-2050-00	6 Volt Battery
3	1	615-1000-00	48 Volt, 4 Terminal Soleniod
4	1	635-7033-00	Actuator
5	2	657-0020-00	Rear Battery Holder Strap
6	7	630-2020-00	8/32 x 1/2 Pan Phillips Machine Screw
7	4	629-4010-00	Button Bumper
8	6	618-2055-00	1/4-20 x 3/4 Carriage Bolt Zinc
9	6	613-0054-00	1/4-20 Cage Nut
10	4	619-0023-00	5/16 Lock Washer 18-8 SS
11	4	613-8043-00	5/16-18 Hex Nuts Zinc
12	4	618-2056-00	5/16 -18x8 Carriage Bolt Zinc
13	4	613-8047-00	5/16-18 Nylon Insert Flange Nut Zinc Orange Nylon
14	2	618-6036-00	1/2-13 x 2-1/2 GR5 Hex Bolt Zinc
15	2	613-6037-00	1/2-13 Nylon Locknut Zinc Orange Nylon
16	1	686-4800-00	Relay -48 Volt
17	1	619-0020-00	Rubber Grommet-Rear Fire Wall-0709143

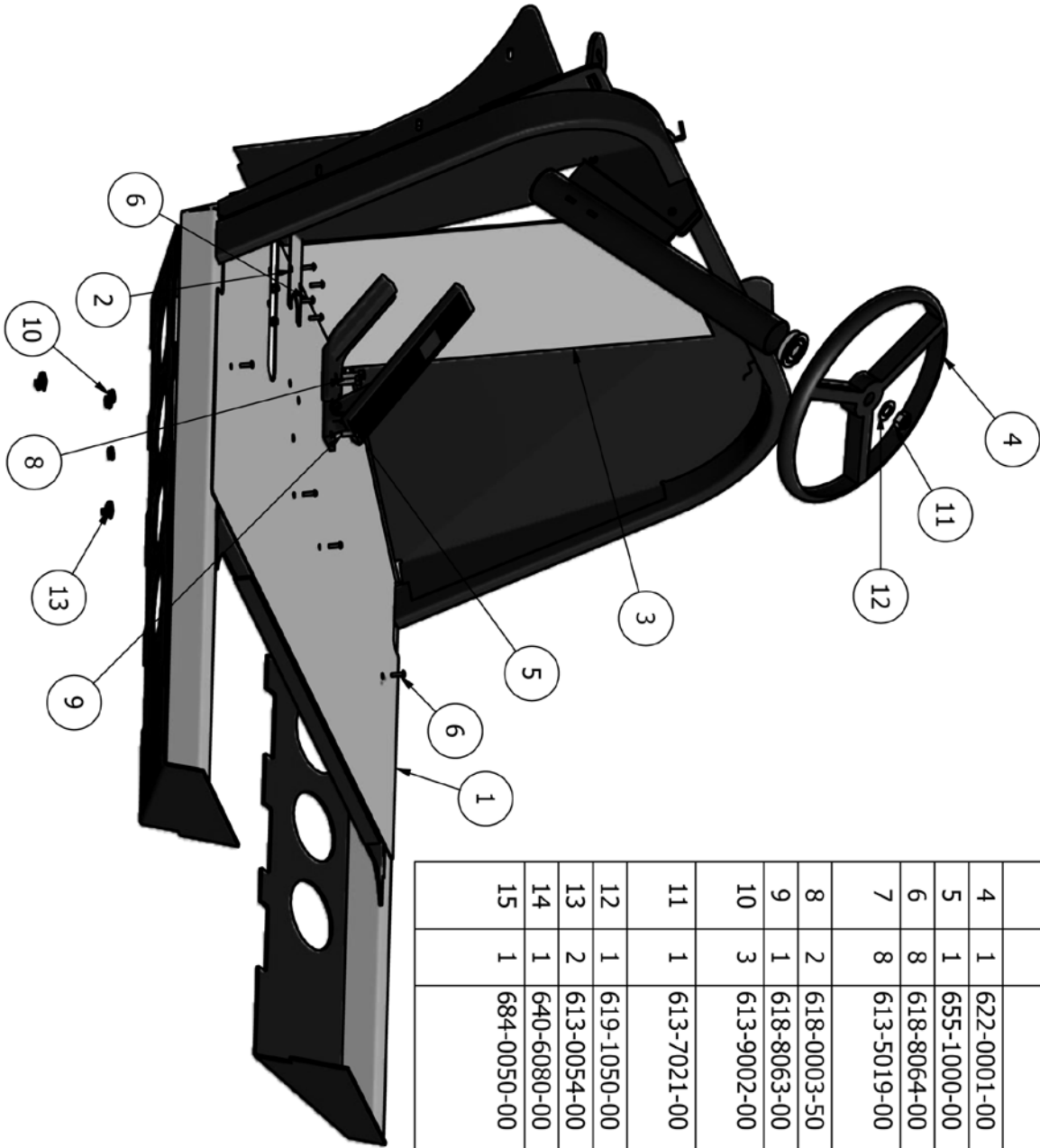
SEAT FRAME ASSEMBLY



Parts List			
ITEM	QTY	PART NUMBER	DESCRIPTION
1	1	680-1000-00	Seat Frame Cover, Right - 2 Seat - Orange
2	1	680-1010-00	Seat Frame Cover, Left - 2 Seater - Orange
3	1	680-0050-00	Seat Frame Cover, Center - 2 Seater - Orange
4	1	668-1000-00	15 amp, 48 Volt Charger (Japlar 1548)
5	1	671-1000-00	Bench Seat Bottom
6	2	652-1000-00	Seat Frame Latch
1A	1	680-1000-10	Seat Frame Cover, Right - 2 Seat - Black
3B	1	680-1050-50	Seat Frame Cover, Center - 2 Seater - Camo
2A	1	680-1010-10	Seat Frame Cover, Left - 2 Seat - Black
3A	1	680-1050-10	Seat Frame Cover, Center - 2 Seater - Black
1B	1	680-1000-50	Seat Frame Cover, Right - 2 Seat - Camo
2B	1	680-1010-50	Seat Frame Cover, Left - 2 Seat - Camo



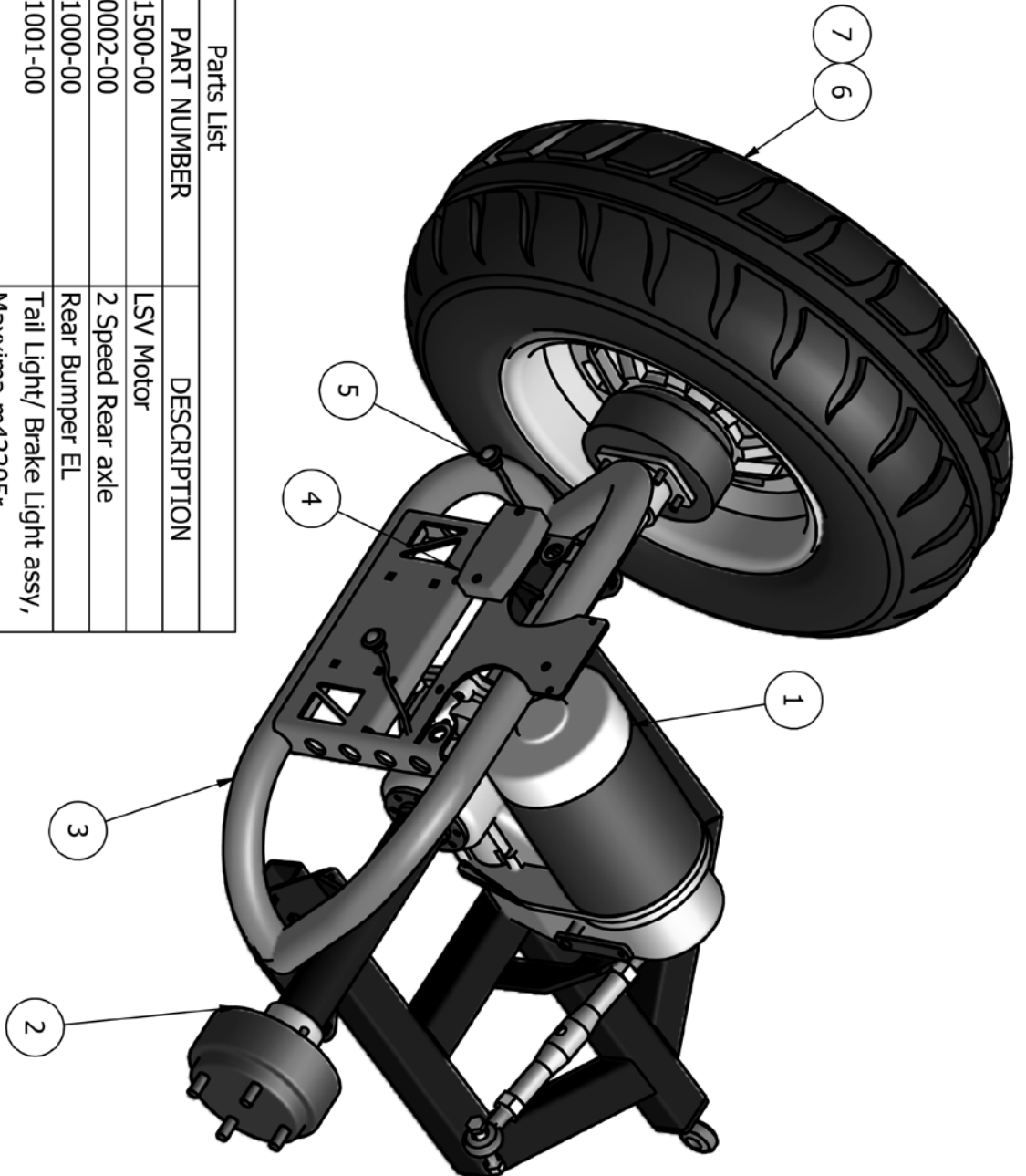
UPPER FRAME ASSEMBLY



Parts List			
ITEM	QTY	PART NUMBER	DESCRIPTION
1	1	679-2000-00	Floor Panel EL Front
2	1	614-0001-00	Brake Slot Floor Cover
3	1	614-0020-00	Fire Wall Cover
4	1	622-0001-00	Steering Wheel
5	1	655-1000-00	Foot Pedal Throttle
6	8	618-8064-00	1 1/4 x 3/4 Button Socket C/S 18-8 SS
7	8	613-5019-00	10-24 Nylon Insert Locknut Zinc Orange Nylon
8	2	618-0003-50	5/16-18 x 1 Hex Bolt GR 8 Black Zinc
9	1	618-8063-00	5/16 - 18 x 3/4 GR 5 Hex bolt Zinc
10	3	613-9002-00	5/16-18 Hex Flange Nuts Zinc w/Serations
11	1	613-7021-00	5/8-11Nylon Locknut Zinc Orange Nylon
12	1	619-1050-00	5/8 USS Flat Washer Grade 8
13	2	613-0054-00	1/4-20 Cage Nut
14	1	640-6080-00	Ratchet Fastener - Floor Board
15	1	684-0050-00	Rubber Stipping - Per foot

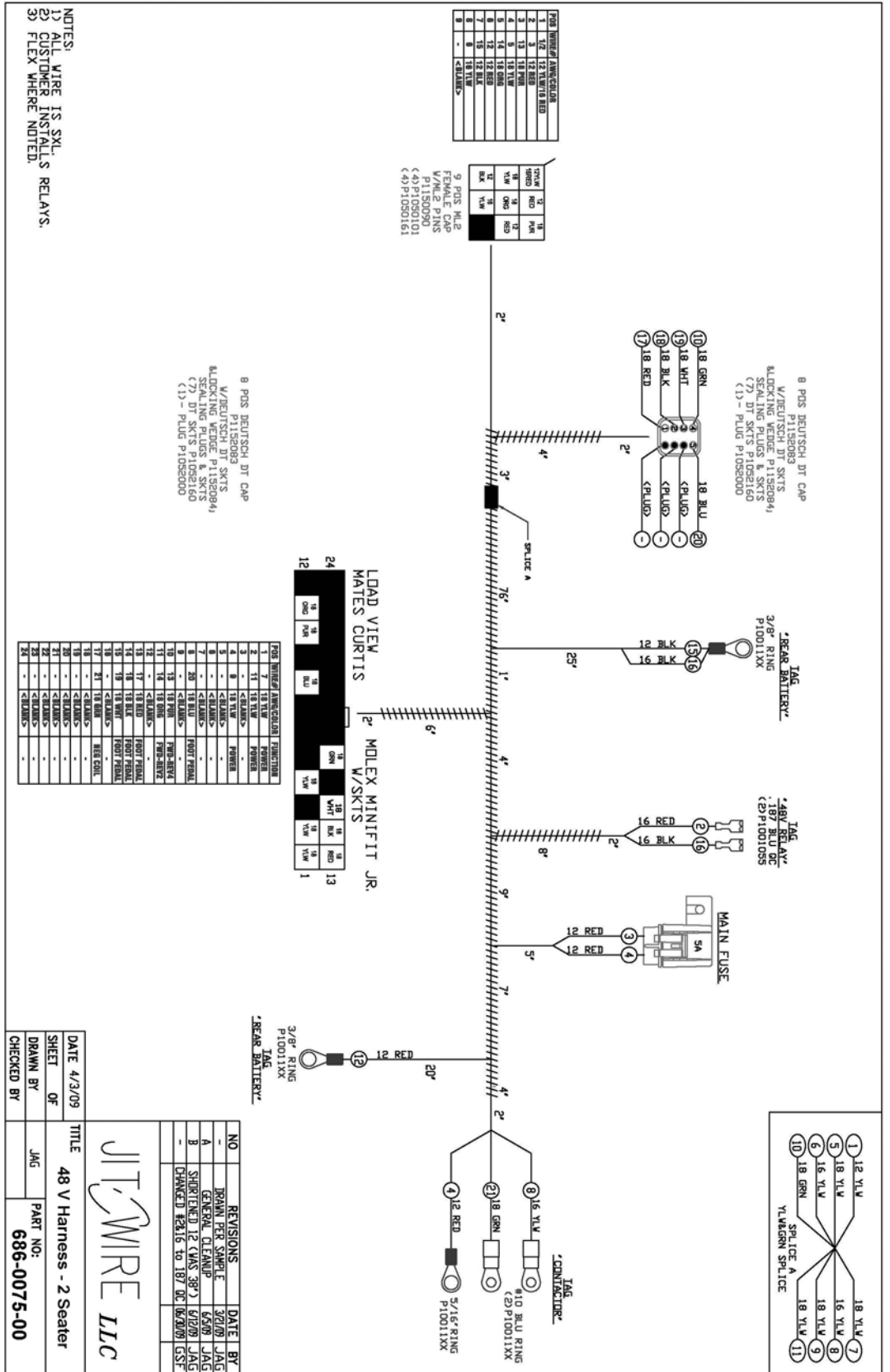
2-SPEED REAR END ASSEMBLY

Parts List			
ITEM	QTY	PART NUMBER	DESCRIPTION
1	1	615-1500-00	LSV Motor
2	2	637-0002-00	2 Speed Rear axle
3	4	629-1000-00	Rear Bumper EL
4	1	688-1001-00	Tail Light/ Brake Light assy, Maxxima m42205r
5	1	688-1003-00	Rear turn signal, maxxima m093008, red
6	1	622-5115-00	LSV Left Rear Tire
7	1	622-5110-00	LSV Right Rear Tire





ELECTRICAL



- NOTES:
1) ALL WIRE IS SYL.
2) CUSTOMER INSTALLS RELAYS.
3) FLEX WHERE NOTED.

DATE	4/3/09	TITLE	48 V Harness - 2 Seater
SHEET	OF		
DRAWN BY	JAG	PART NO.	686-0075-00
CHECKED BY			

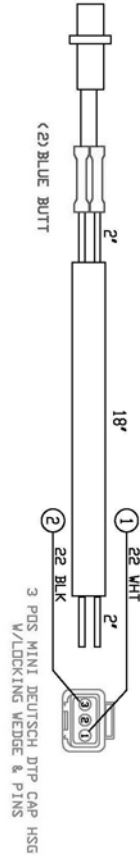
JTWIRE LLC

NO	REVISIONS	DATE	BY
-	BROWN PER SAMPLE	3/2/09	JAG
A	GENERAL CLEANUP	6/9/09	JAG
B	SHORTENED 12 (CANS 38")	6/7/09	JAG
-	CHANGED #2,16 to 187 DC	6/2/09	GSS



ELECTRICAL: BRAKE HARNESS

- NOTES:
1. USE 22/3 JACKETED CABLE WITH BARE GROUND
 2. CUT RED AND BARE COPPER BACK INTO THE INSULATION
 3. APPLY HEAT SHRINK 1 INCH OVER JACKET CABLE AND 3/8" OVER SIGNAL.
 4. REMOVE OUTER JACKET FROM BOTH ENDS OF CABLE APPROXIMATELY 1 INCHES.

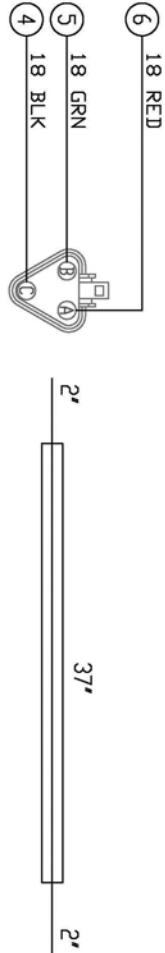


NO	REVISIONS	DATE	BY
-	-	-	-
-	-	-	-
-	-	-	-
-	-	-	-

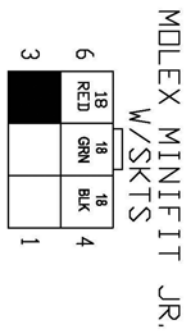
<p style="text-align: center; font-size: 2em; font-weight: bold;">JIT WIRE LLC</p>	
DATES/19/2009 SHEET OF DRAWN BY CHECKED BY	TITLE Interlock Wire for Brake PART NO: 686-0025-00



ELECTRICAL: SPEED CONTROL HARNESS



- MATES HRNS**
- 3 POS DEUTSCH DT MALE PLUG
 - W/LOCKING WEDGE & SKTS
 - P1152033 HSG PLUG3
 - P1152034 WEDGE W3S
 - (3)P1052160 SKT 14-16GA
 - (0)P1052000 PLUG 12-16GA



POS	WIRE#	AWG/COLOR	FUNCTION
1	-	<BLANK>	-
2	-	<BLANK>	-
3	-	<BLANK>	-
4	4	18 BLK	GROUND
5	5	18 GRN	SIGNAL
6	6	18 RED	POWER

- NOTES:**
- 1) HARNESS USES SXL WIRE.
 - 2) FLEX AS SHOWN.

NO	REVISIONS	DATE BY
-	DRAWN FOR SAMPLE	JAG

DATE	5/21/09	TITLE	JIT WIRE LLC
SHEET	OF		
DRAWN BY	JAG	PART NO:	686-0080-00
CHECKED BY			

BAD BOY, INC.

102 INDUSTRIAL DRIVE
BATESVILLE, AR 72501

1.866.622.3269

www.badboymtv.com

Technical Support:

David Watts

Randel Davis randel.davis@badboymowers.com

Jared Webb

Warranty:

Dustin Tissiere dustin@badboymowers.com Ext 6613

Bill Hurst bill@badboymowers.com Ext 6617

Nathan Simmons

Parts:

Jared Webb Jared@badboymowers.com



Low Speed Vehicle

www.badboymtv.com

Bad Boy, Inc.
102 Industrial Drive
Batesville, Arkansas 72501
(870) 698-0090