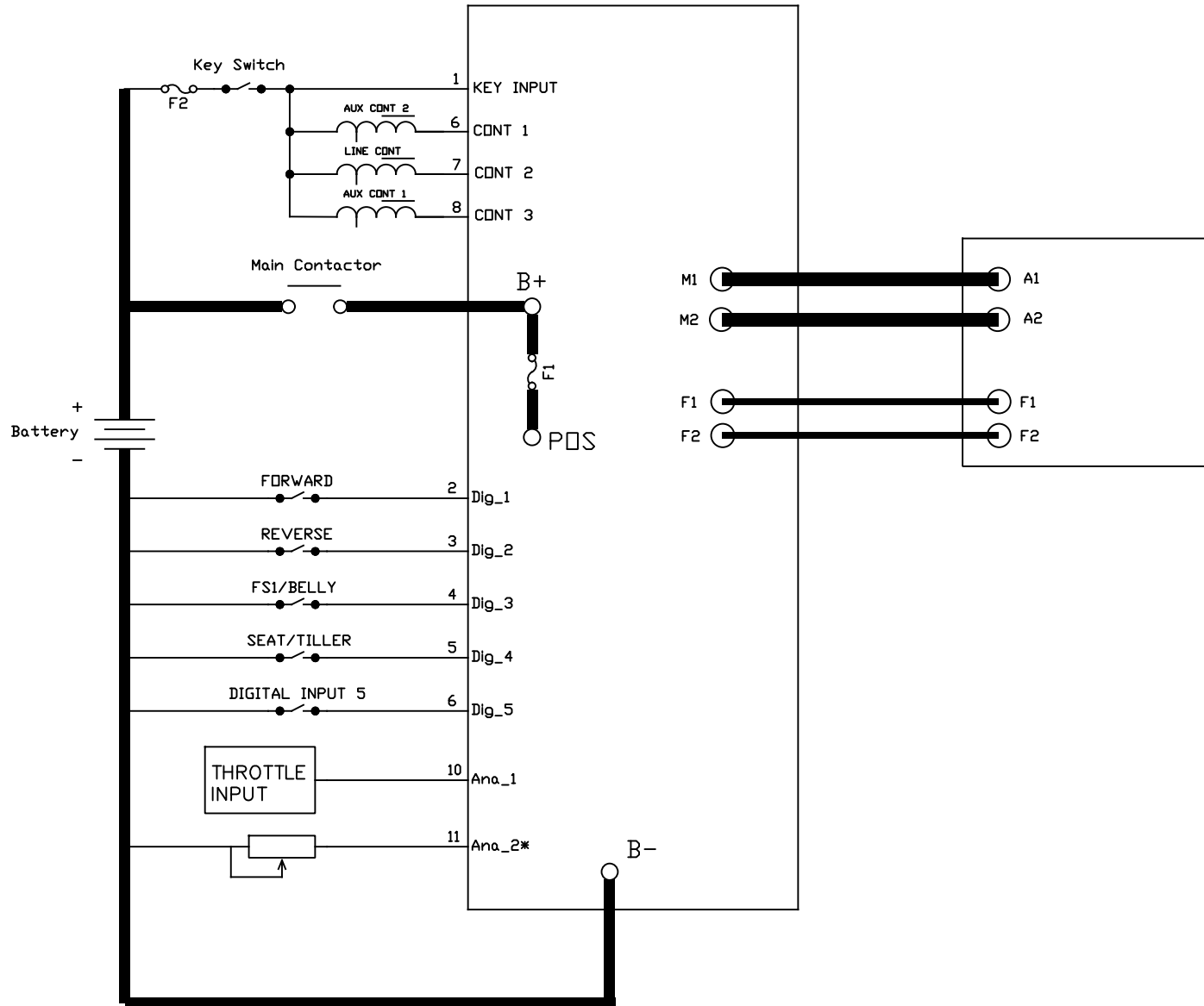


PROPRIETARY AND CONFIDENTIAL
 This document is the property of Flight Systems Industrial Products and contains proprietary and confidential information. This document is loaned on the express condition that the information contained therein shall NOT be disclosed to others without the express consent of FSIP and that the information shall be used by the recipient only as approved by FSIP. This document shall be returned to FSIP, 1015 Harrisburg Pike, Carlisle, PA, upon it's request.

REVISIONS			
REV	DESCRIPTION	DATE	APPROVED



*Can also be configured as an additional digital input

FSIP
 FLIGHT SYSTEMS
 INDUSTRIAL PRODUCTS
 1015 HARRISBURG PIKE
 CARLISLE PA 17013
 PHONE: 717-254-3747 FAX: 717-254-3777

TITLE		GENERIC SEVCON MILLIPAK SEM	
DRAWN	DATE	SIZE	FSCM NO.
Matt Potter	03/12/2001	C	
CHECKED	DATE	SCALE	DWG NO.
SHEET			1 of 1