



HD PARTS MANUAL



629257

ISSUED MARCH 2012

REVISED AUGUST 2012



SERVICE PARTS MANUAL

ELECTRIC POWERED VEHICLE

HD 48V

STARTING MODEL YEAR 2012

Never modify the vehicle in any way that will alter the weight distribution of the vehicle, decrease its stability, or increase the speed beyond the factory specifications. Such modifications can cause serious personal injury or death. Bad Boy Buggies prohibits and disclaims responsibility for any such modifications or any other alterations which would adversely affect the safety of the vehicle.

BB Buggies Inc. reserves the right to incorporate engineering and design changes to products in this manual, without obligation to include these changes on units sold previously.

The information contained in this manual may be revised periodically by BB Buggies Inc., and therefore is subject to change without notice.

BB Buggies Inc. **DISCLAIMS LIABILITY FOR ERRORS IN THIS MANUAL**, and **SPECIFICALLY DISCLAIMS LIABILITY FOR INCIDENTAL AND CONSEQUENTIAL DAMAGES** resulting from the use of the information and materials in this Manual.

TO CONTACT US:

Bad Boy Buggies

1451 Marvin Griffin Rd.

Augusta, GA 30906

PHONE: 800.448.7476

E-mail: info@badboybuggies.com

For parts and repair, contact your local dealer. To locate a local dealer, please go online to our website:

www.BADBOYBUGGIES.com

NOTES

To obtain a copy of the limited warranty applicable to the vehicle, call or write a local Distributor, authorized Branch or the Warranty Department with the vehicle serial number and the manufacturer code.

The use of non Original Equipment Manufacturer (OEM) approved parts may void the warranty.

Overfilling batteries may void the warranty.

BATTERY PROLONGED STORAGE

All batteries will self discharge over time. The rate of self discharge varies depending on the ambient temperature and the age and condition of the batteries.

A fully charged battery will not freeze in winter temperatures unless the temperature falls below -75° F (-60° C).

As with all electric vehicles, the batteries must be checked and recharged as required or at a minimum of 30 day intervals.

TABLE OF CONTENTS

SECTION	Page No.
HOW TO USE THE SERVICE PARTS MANUAL	Vii
ACCELERATOR	A - 1
BATTERY CHARGER	B - 1
BODY	C - 1
BRAKES	D - 1
CAB	E - 1
ELECTRICAL SYSTEM	F - 1
ELECTRONIC SPEED CONTROL	G - 1
FRONT SUSPENSION - STEERING	H - 1
MOTOR	J - 1
REAR AXLE	K - 1
REAR SUSPENSION	L - 1
SEATING	M - 1
TRUCK BED - PLASTIC	N - 1
TRUCK BED - METAL	P - 1
WEATHER PROTECTION	Q - 1
WHEELS AND TIRES	R - 1

HOW TO USE THE SERVICE PARTS MANUAL

This manual is divided into several sections:

- GENERAL INFORMATION
- ILLUSTRATED PARTS BREAKDOWN
- APPENDIX

The first section, GENERAL INFORMATION, contains the following information:

- WARRANTY INFORMATION
- GENERAL INDEX
- HOW TO USE THE SERVICE PARTS MANUAL

The second section, ILLUSTRATED PARTS BREAKDOWN, contains illustrations and parts lists for all systems of your vehicle.

The third section, APPENDIX, contains a listing of specialty products and accessories.

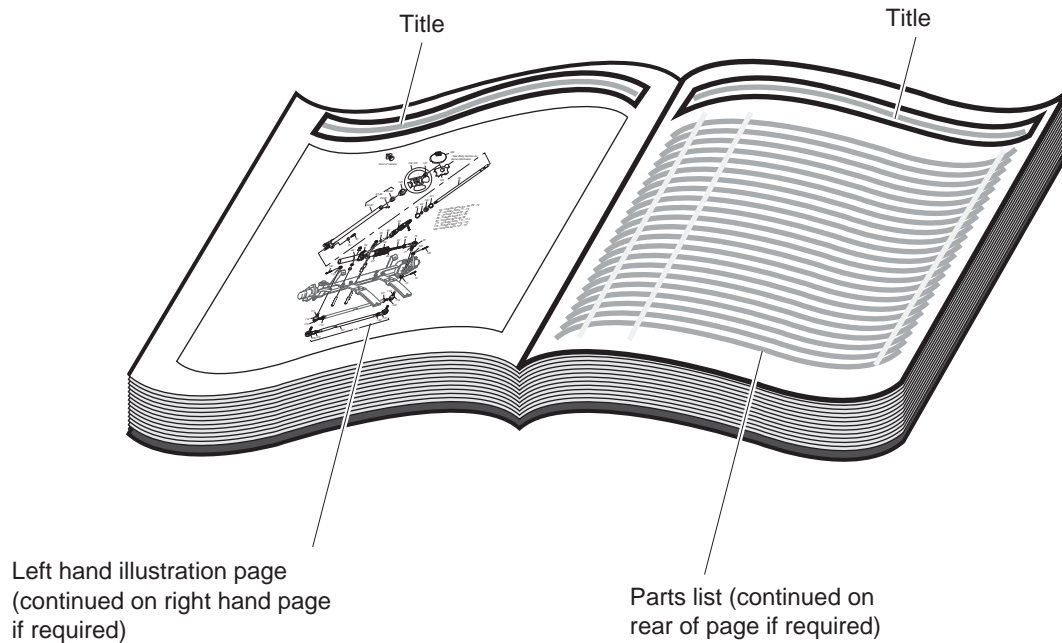
USE OF THE MANUAL

To use this manual, consult the GENERAL INDEX to locate the information or illustration required.

Introduction of some revisions varies due to supply of components; therefore, it is possible that various combinations of components may be found that are not directly reflected by each illustration. Consult the illustration that best suits your situation and then contact the Service Parts Department. It is important that the serial number of your vehicle and its model number be supplied to Service Parts when ordering any replacement components.

Locate the serial number plate (see BODY located in the Illustrated Parts Breakdown section of this manual for its location) and note the complete number shown on the plate.

HOW TO USE THE SERVICE PARTS MANUAL



1. WHEN THE PART NUMBER IS NOT KNOWN

- Determine the function and application of the part required. Turn to the General Index and select the most appropriate title.
- Turn to the page number indicated and locate the desired part on the illustration.
- From the illustration, obtain the item number assigned to the desired part. Refer to the accompanying description for specific information regarding the part.

2. IF YOU KNOW THE PART NUMBER

- Locate the part number or description in the appropriate column on the parts list page.

NOTE: It is suggested that you confirm that the part selected is correct by verifying it with the pictorial representation on the illustrated page.

Should an asterisk (*) appear in the part number column on the parts list page, read upwards until a part number is found. The part number is the lowest assembly sold by Service Parts and the asterisk (*) indicates that the part depicted is not available for purchase.

NOTE: Descriptions are indented under the assembly that they are used on. That assembly is, in turn listed under the assembly that it is used on. This process is repeated until the highest final assembly is reached.

To facilitate the maintenance and repair of the vehicle, a Technician's Repair and Service Manual is available from the Service Parts Department.

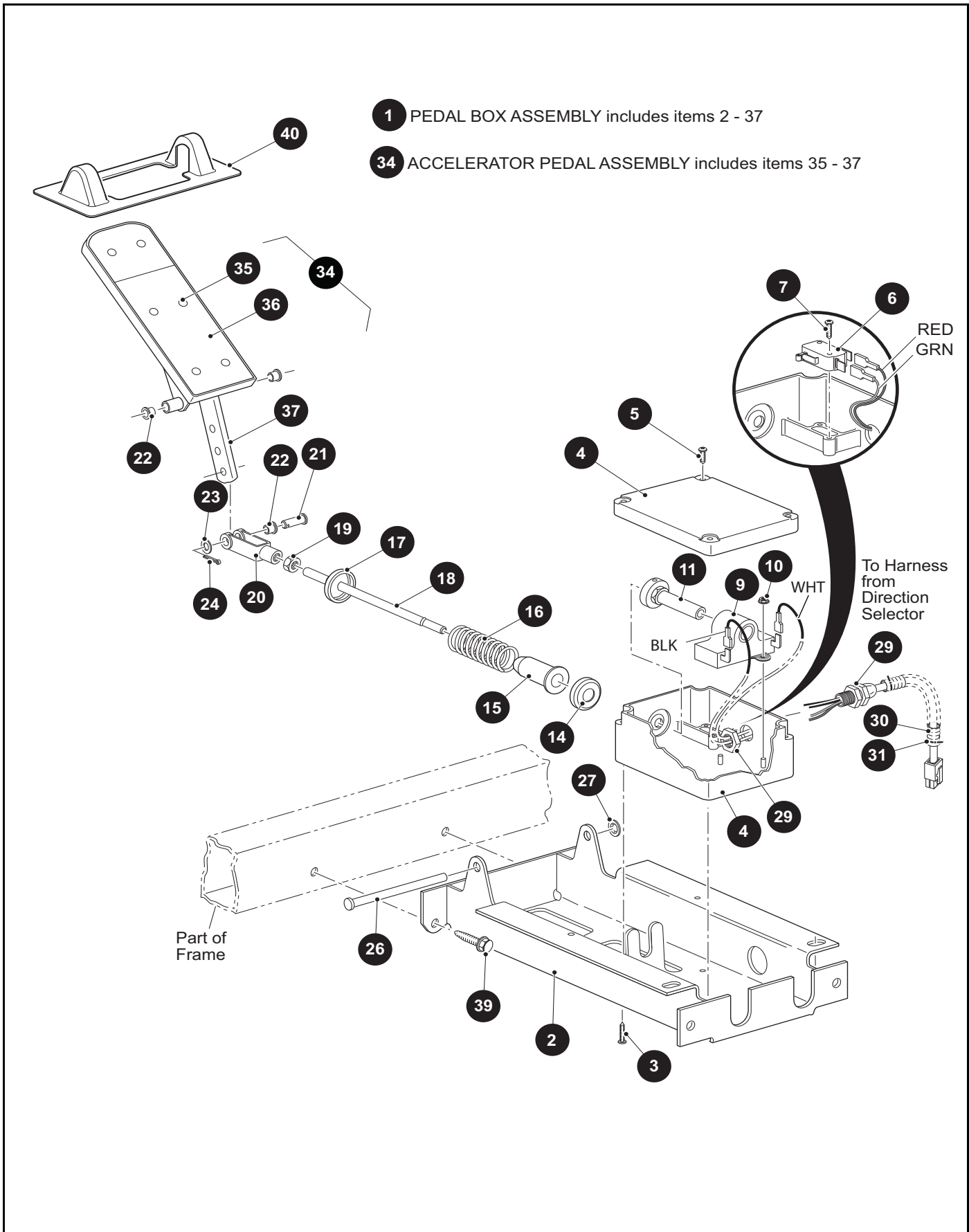
HOW TO USE THE SERVICE PARTS MANUAL

3. COLOR CODE FOR BODY COMPONENTS

The last two digits of the part number for the body part will denote the color code, locate the part number for the cowl, rear body, seat pod, side panel or seat wrap then locate your color in the list below, replace the last ** or XX with the two digit color code.

<u>CODE #</u>	<u>DESCRIPTION</u>	<u>CODE #</u>	<u>DESCRIPTION</u>
01	NO PAINT	53	MOSSY OAK NEW BREAK UP - DIPPED
02	SPECIAL COLOR	54	MOSSY OAK OBSESSION - DIPPED
05	JACOBSEN ORANGE	55	REALTREE ADVANTAGE MAX 4 - DIPPED
06	LIGHT GOLD PEARL	56	REALTREE HARDWOOD BROWN - DIPPED
07	SILVER PEARL METALIC	57	REALTREE AP HOT PINK - DIPPED
11	BLACK	58	BLACK / SILVER MARBLE - DIPPED
12	EMERALD GREEN PEARL	59	RED / SILVER MARBLE - DIPPED
13	CLOUD GREY	60	HOT PINK / SILVER MARBLE - DIPPED
14	VIPER BLUE METALLIC	61	REALTREE AP
19	PATRIOT BLUE PEARL	62	REALTREE MAX 4
20	INFERNO RED METALLIC	63	MOSSY OAK BREAKUP
23	ADVANTAGE CLASSIC CAMO	64	MOSSY OAK TREESTAND
24	NATURAL	65	REALTREE APG
25	VIVID NEW HOLLAND BLUE	66	REALTREE MAX 1
26	STEEL BLUE PEARL	67	REALTREE AP PINK
27	BRIGHT SILVER METALLIC	68	REALTREE AP - DIPPED
29	PRIMER ONLY		
30	HD ADVANTAGE CAMO		
31	METALLIC CHARCOAL		
32	LIGHT ALMOND PEARL		
33	TIMBERLINE GREEN		
34	DEEP MOLTEN RED		
35	SAFETY YELLOW		
36	CHAMPAGNE BEIGE		
37	HUNTER GREEN		
38	BRIGHT WHITE		
39	FLAME RED		
40	BLACK		
41	ELECTRIC BLUE		
42	PLATINUM		
43	BURGUNDY		
44	ALMOND		
45	BLACK		
46	FLAME RED		
47	BURLINGTON GREEN		
48	BLACK		
49	FLAME RED		
50	RECON GREEN		
51	SUNBURST ORANGE		
52	BRITISH RACING GREEN		

ACCELERATOR



ACCELERATOR

When ordering parts, please specify the model and serial number of the product.

* Indicates a component that is not available as an individual part.

*** Indicates consult Customer Service Department for additional information.

ITEM	PART NO.	1 2 3 4 5	DESCRIPTION	QTY.
1	73333G11		PEDAL BOX ASSEMBLY (INCLUDES ITEMS 2 - 37).....	1
2	70116G02		ACCELERATOR PEDAL BRACKET	1
3	01051G01		SCREW, #8 - 16 X 1/2" LG.	4
4	25853G01		PEDAL BOX AND COVER.....	1
5	00684G6		SCREW, #8 - 32 X 3/4" LG.	2
6	25861G02		MICRO SWITCH	1
7	01050G01		SCREW, #4 - 20 X 5/8" LG.....	2
8				
9	25854G01		INDUCTIVE THROTTLE SENSOR.....	1
10	00983G01		SELF THREADING NUT, 3/16"	2
11	602484		PLUNGER	1
12				
13				
14	17677G1		SPRING RETAINER, 1/2"	1
15	17979G1		BUSHING	1
16	73046G01		COMPRESSION SPRING.....	1
17	17677G2		SPRING RETAINER, 3/8"	1
18	73332G01		ACCELERATOR ROD.....	1
19	00532G4		LOCK NUT, 5/16 - 24	1
20	10385G4		CLEVIS YOKE (ADJUSTABLE)	1
21	10386G3		CLEVIS PIN, 5/16" X 1" LG	1
22	17838G1		NYLON BUSHING.....	3
23	17255G1		TEFLON WASHER, 5/16"	1
24	10387G3		COTTER PIN, 3/32" X 3/4" LG	1
25				
26	74432G01		PEDAL PIVOT PIN.....	1
27	12064G6		PUSH NUT	1
28				
29	25879G08		WIRING HARNESS (PEDAL BOX ASSEMBLY).....	1
30	17313G1		LOOM FLEX, 3/8" X 6" LG (BULK).....	1
31	17618G1		NYLON CLAMP	2

ACCELERATOR

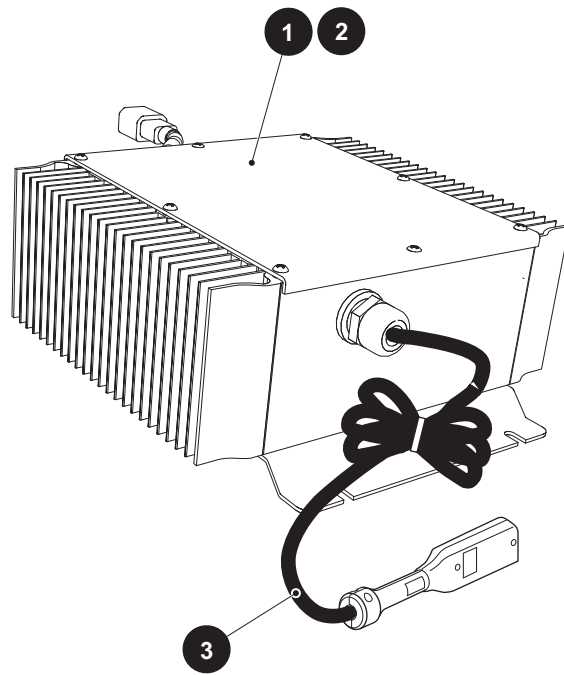
When ordering parts, please specify the model and serial number of the product.

* Indicates a component that is not available as an individual part.

*** Indicates consult Customer Service Department for additional information.

ITEM	PART NO.	1	2	3	4	5	DESCRIPTION	QTY.
32								
33								
34	25799G03						ACCELERATOR PEDAL ASSEMBLY (INCLUDES ITEMS 35 - 37).....	1
35	16409G01						OVAL RIVET, 15/32"	6
36	27512G01						ACCELERATOR PEDAL PAD.....	1
37	70125G04						ACCELERATOR PEDAL.....	1
38								
39	00715G2						BOLT, 5/16 - 18 X 13/16" LG	4
40	70135G01						PEDAL PIVOT COVER	1

BATTERY CHARGER



BATTERY CHARGER

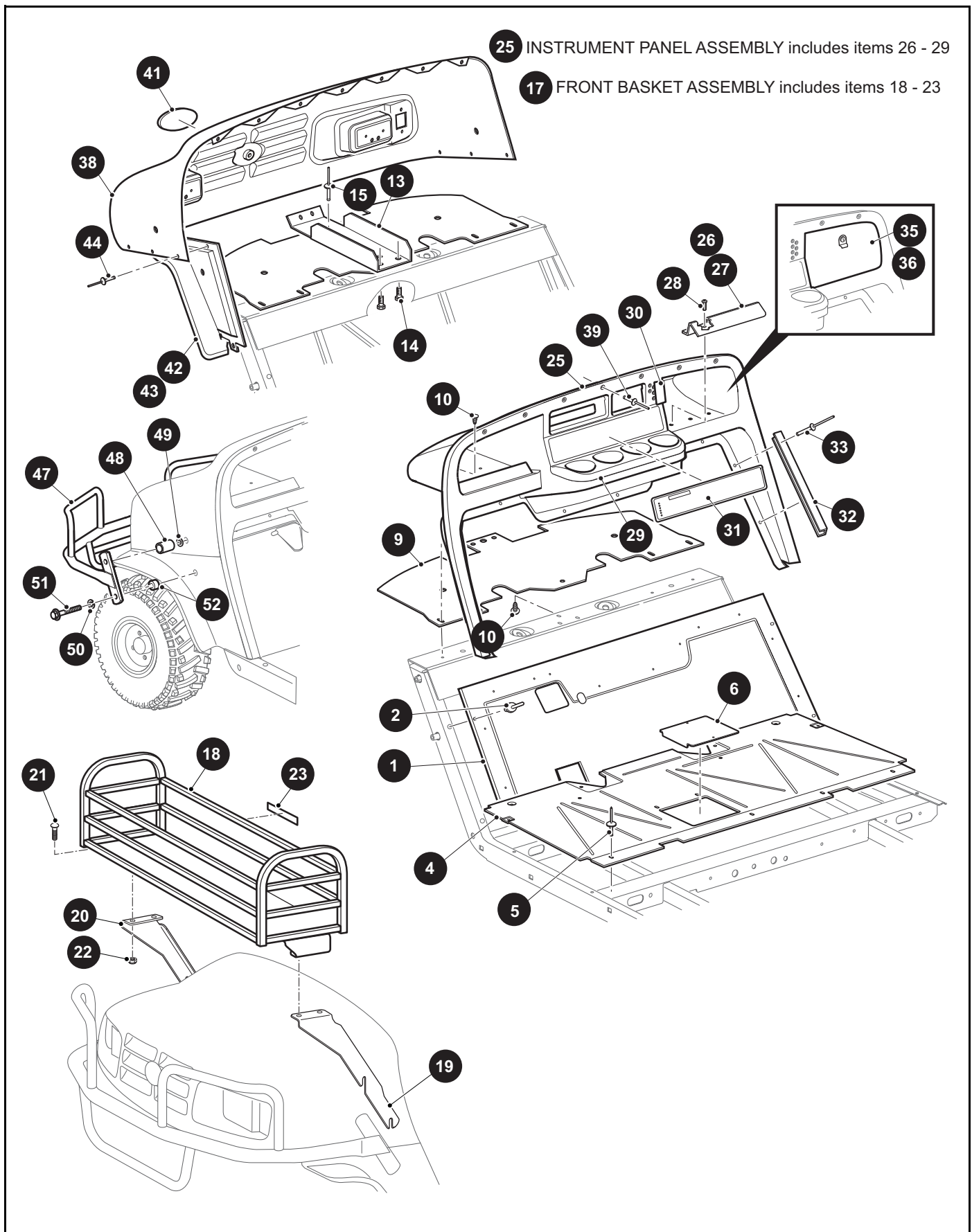
When ordering parts, please specify the model and serial number of the product.

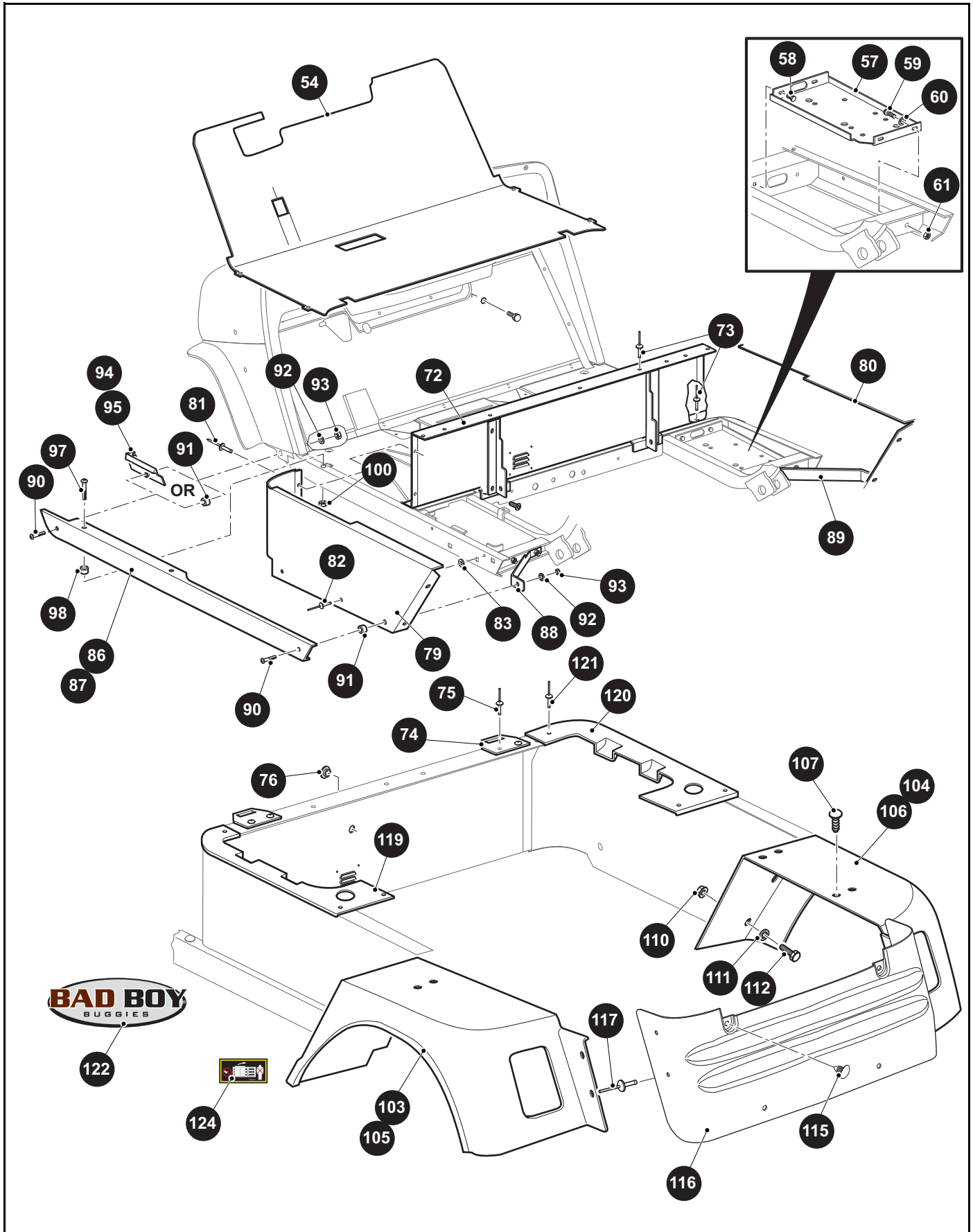
* Indicates a component that is not available as an individual part.

*** Indicates consult Customer Service Department for additional information.

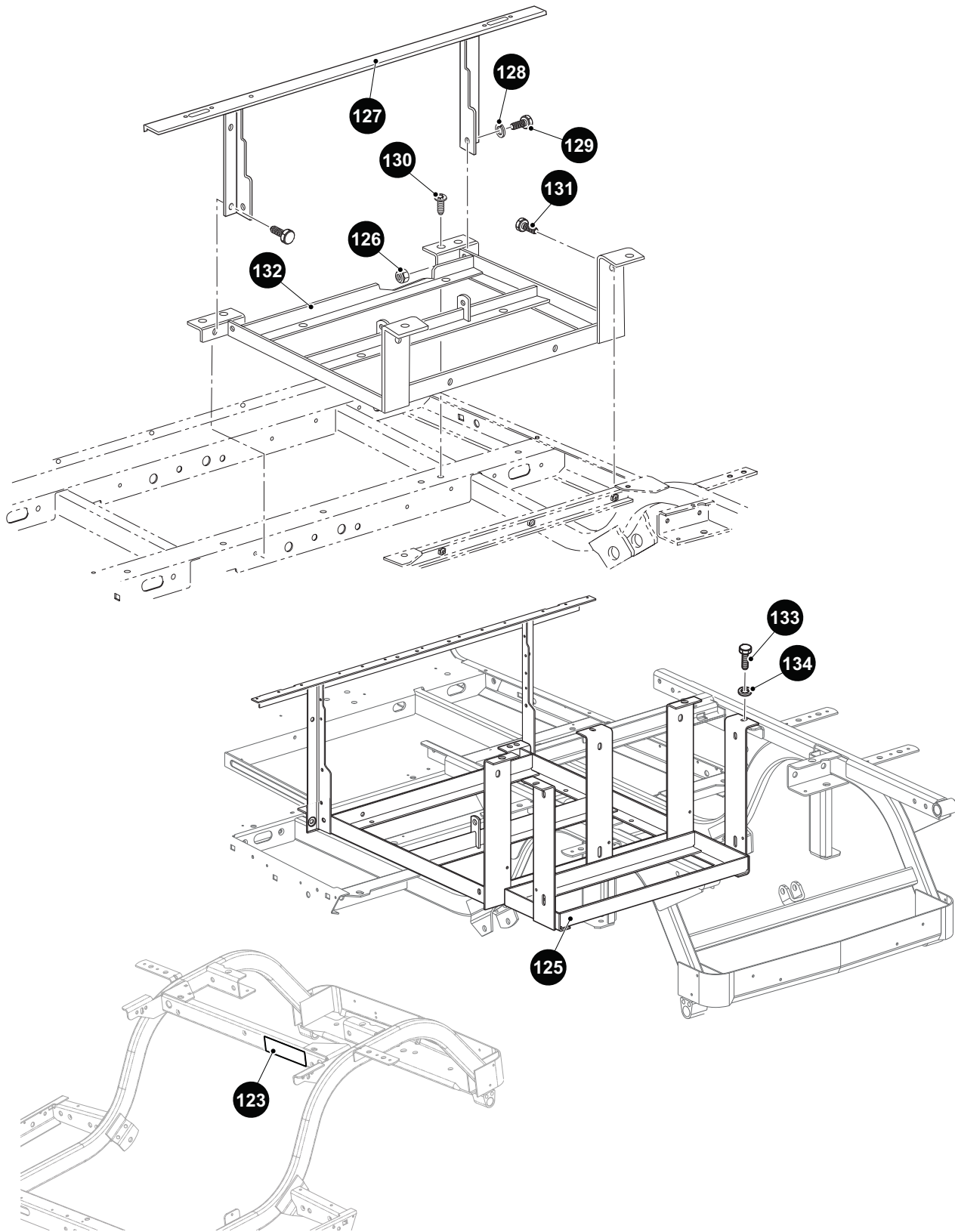
ITEM	PART NO.	1 2 3 4 5	DESCRIPTION	QTY.
1	603689		48V DELTA-Q BATTERY CHARGER WITH 10' DC CORD	1
2	603690		48V DELTA-Q BATTERY CHARGER WITH 18' DC CORD	1
3	600436G02		48V 10" DC CABLE ASSEMBLY	1
4	600432G01		AC POWER CORD (NOT SHOWN)	1

BODY



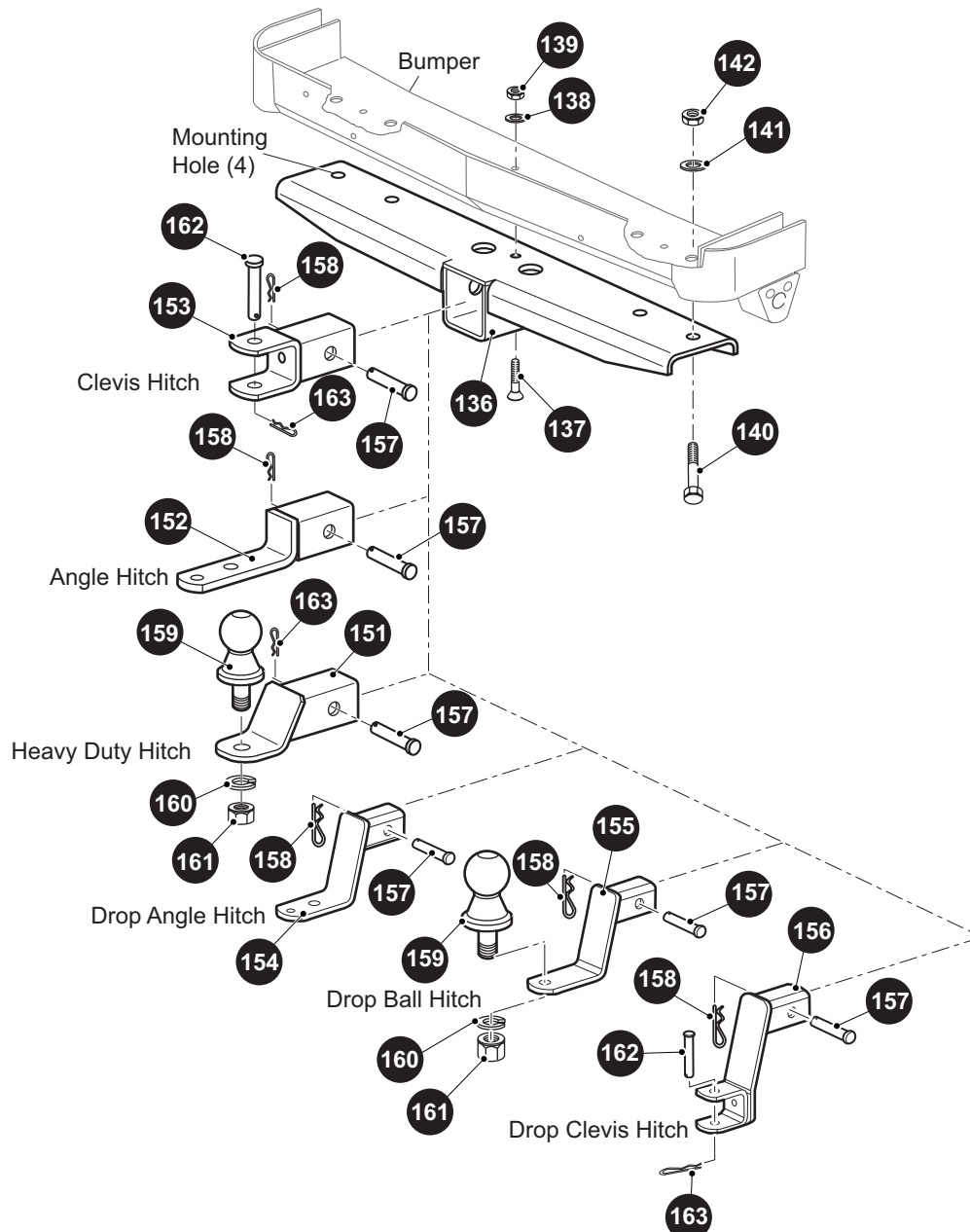


BODY

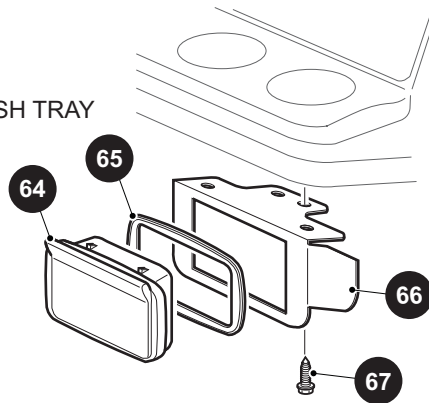


HITCHES

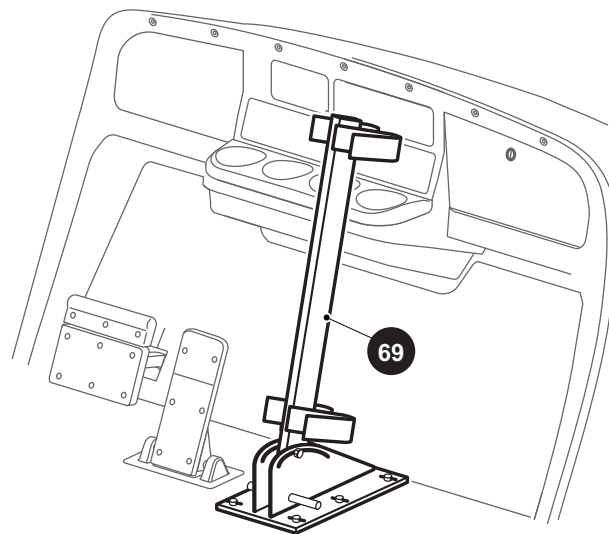
- 145 HEAVY DUTY HITCH KIT includes items 151, 157 - 161
- 146 ANGLE HITCH KIT includes items 152, 157, 158
- 147 CLEVIS HITCH KIT includes items 153, 157, 158, 162, 163
- 148 DROP ANGLE HITCH KIT includes items 154, 157, 158
- 149 DROP BALL HITCH KIT includes items 155, 157 - 161
- 150 DROP CLEVIS HITCH KIT includes items 156, 157, 158, 162, 163



ASH TRAY



FLOOR MOUNT
GUN HOLDER



When ordering parts, please specify the model and serial number of the product.

* Indicates a component that is not available as an individual part.

*** Indicates consult Customer Service Department for additional information.

ITEM	PART NO.	1 2 3 4 5	DESCRIPTION	QTY.
1	70662G01		UPPER FLOORPAN	1
2	14601G11		RIVET, 3/16" X 9/16" LG (ALUMINUM)	9
3				
4	70451G01		LOWER FLOORPAN	1
5	14601G11		RIVET, 3/16" X 9/16" LG (ALUMINUM)	7
6	70452G01		ACCESS COVER	1
7				
8				
9	71413G01		SPLASH PANEL	1
10	16816G2		RATCHET FASTENER, 1/4" X 3/4" LG	5
11				
12				
13	71101G02		COWL SUPPORT BRACKET	1
14	71102G02		SELF TAPPING SCREW, 1/4 - 20 X 1/2" LG.....	3
15	71055G01		RIVET, 3/16" X 1 1/8" LG (ALUMINUM)	1
16				
17	74521G02		FRONT BASKET ASSEMBLY (INCLUDES ITEMS 18 - 23)	1
18	74523G01		FRONT BASKET	1
19	74522G01		BASKET MOUNTING BRACKET (DRIVER SIDE)	1
20	74522G02		BASKET MOUNTING BRACKET (PASSENGER SIDE).....	1
21	00725G1		CARRIAGE BOLT, 3/8 - 16 X 1" LG (STAINLESS STEEL).....	4
22	00891G1		LOCK NUT, 3/8 - 16	4
23	71931G01		LABEL, FRONT BASKET (WARNING)	1
24				
25	71151G03		INSTRUMENT PANEL ASSEMBLY (INCLUDES ITEMS 26 - 29).....	1
26	71153G01		DEFLECTOR (PASSENGER SIDE).....	1
27	71154G01		DEFLECTOR (DRIVER SIDE)	1
28	00614G5		SCREW, #8 - 18 X 5/8" LG.....	4
29	71158G01		INSTRUMENT PANEL INSERT (FOUR CUP)	1
30	35968G01		T-HOLDER DECAL.....	1
31	601781		LABEL (SAFETY)	1

BODY

When ordering parts, please specify the model and serial number of the product.

* Indicates a component that is not available as an individual part.

*** Indicates consult Customer Service Department for additional information.

ITEM	PART NO.	1 2 3 4 5	DESCRIPTION	QTY.
32	71115G01		VINYL TRIM	2
33	71055G01		RIVET, 3/16" X 1" LG (ALUMINUM).....	10
34				
35	75459G02		GLOVE BOX DOOR (DRIVER SIDE)	1
36	75459G03		GLOVE BOX DOOR (PASSENGER SIDE).....	1
37				
38	71468GXX		COWL (See COLOR CODE in HOW TO USE Section).....	1
39	71055G01		RIVET, 3/16" X 1 1/8" LG (ALUMINUM).....	7
40				
41	617803		OVAL NAMEPLATE (BAD BOY BUGGIES).....	1
42	71338G01		FENDER FLARE (DRIVER SIDE)	1
43	71338G02		FENDER FLARE (PASSENGER SIDE)	1
44	71055G01		RIVET, 3/16" X 1" LG (ALUMINUM).....	6
45				
46				
47	74265G02		BUMPER	1
48	75048G04		SPACER, 1".....	2
49	00570G2		WASHER, 5/16"	2
50	00905G8		LOCK WASHER, 5/16".....	4
51	01035G02		BOLT, 5/16 - 18 X 2 1/2" LG	4
52	75048G01		SPACER.....	2
53				
54	70663G04		FLOOR MAT.....	1
55				
56				
57	70244G03		SPLASH PANEL.....	2
58	00715G2		BOLT, 5/16 - 18 X 13/16" LG	4
59	00438G8		BOLT, 5/16 - 18 X 1" LG	4
60	00559G8		WASHER, 5/16"	4
61	11098G6		LOCK NUT, 5/16 - 18 (STAINLESS STEEL)	4
62				

When ordering parts, please specify the model and serial number of the product.

* Indicates a component that is not available as an individual part.

*** Indicates consult Customer Service Department for additional information.

ITEM	PART NO.	1 2 3 4 5	DESCRIPTION	QTY.
63				
64	27731G01		ASH TRAY	1
65	27736G01		GASKET	1
66	75108G02		BRACKET	1
67	00100G4		SCREW, #10 - 16 X 1/2" LG	4
68				
69	74365G01		GUN HOLDER (INCLUDES ALL MOUNTING HARDWARE).....	1
70				
71				
72	609143GXX		SEAT WRAP W/LOUVERS (See COLOR CODE in HOW TO USE Section)...	1
73	10570G10		RIVET, 5/32" X 9/16" LG (STAINLESS STEEL).....	8
74	71609G01		SEAT HINGE PLATE	2
75	10570G11		RIVET, 3/16" X 3/4" LG (STAINLESS STEEL)	4
76	20271G9		HOLE PLUG	1
77				
78				
79	609168G1XX		SIDE PANEL (DRIVER) (See COLOR CODE in HOW TO USE Section)	1
80	609168G2XX		SIDE PANEL (PASSENGER) (See COLOR CODE in HOW TO USE Section)	1
81	10570G10		RIVET, 5/32" X 9/16" LG (STAINLESS STEEL)	4
82	10570G12		RIVET, 1/4" X 9/16" LG (ALUMINUM)	4
83	16469G1		WASHER, 1/4"	4
84				
85				
86	71439G03		ROCKER PANEL (DRIVER SIDE).....	1
87	71439G04		ROCKER PANEL (PASSENGER SIDE)	1
88	71440G03		BRACE (DRIVER SIDE)	1
89	71440G04		BRACE (PASSENGER SIDE)	1
90	00789G2		SCREW, #10 - 24 X 1 1/4" LG	4
91	23726G2		SPACER, 1/4"	4
92	00660G5		WASHER, #10 (STAINLESS STEEL).....	4
93	14390G10		LOCK NUT, #10 - 24	4

BODY

When ordering parts, please specify the model and serial number of the product.

* Indicates a component that is not available as an individual part.

*** Indicates consult Customer Service Department for additional information.

ITEM	PART NO.	1 2 3 4 5	DESCRIPTION	QTY.
94	71424G01		SPACER (DRIVER SIDE)	1
95	71424G02		SPACER (PASSENGER SIDE)	1
96				
97	16705G1		SCREW, 1/4 - 20 X 1" LG (STAINLESS STEEL)	4
98	23726G2		SPACER, 1/4"	2
99				
100	14390G4		LOCK NUT, 1/4 - 20	4
101				
102				
103	74893G01		FENDER (DRIVER SIDE)	1
104	74893G02		FENDER (PASSENGER SIDE)	1
105	74893G03		FENDER W/TAIL LIGHT OPENING (DRIVER SIDE)	1
106	74893G04		FENDER W/TAIL LIGHT OPENING (PASSENGER SIDE)	1
107	16816G2		RATCHET FASTENER, 1/4" X 3/4" LG	10
108				
109				
110	14390G4		LOCK NUT, 1/4 - 20	4
111	00642G7		WASHER, 1/4"	8
112	00414G6		BOLT, 1/4 - 20 X 3/4" LG	4
113				
114				
115	16816G2		RATCHET FASTENER, 1/4" X 3/4" LG	8
116	74890G01		REAR PANEL (ST 400)	1
117	71055G01		RIVET, 3/16" X 1" LG (ALUMINUM)	4
118				
119	74891G01		SEAT FILLER PANEL (DRIVER SIDE)	1
120	74891G02		SEAT FILLER PANEL (PASSENGER SIDE)	1
121	10570G10		RIVET, 5/32" X 9/16" LG (STAINLESS STEEL)	6
122	617806		LABEL (BAD BOY BUGGIES)	2
123	612049		CERTIFICATION LABEL	1
124	74099G01		LABEL (TILT WARNING)	2

When ordering parts, please specify the model and serial number of the product.

* Indicates a component that is not available as an individual part.

*** Indicates consult Customer Service Department for additional information.

ITEM	PART NO.	1 2 3 4 5	DESCRIPTION	QTY.
125	70365G02		BATTERY RACK WELDMENT	1
126	11098G6		LOCK NUT, 5/16 - 18	2
127	70441G01		SEAT FRAME	1
128	00559G8		WASHER, 5/16"	2
129	00438G6		BOLT, 5/16 - 18 X 3/4" LG.....	2
130	70200G01		SCREW, 3/8 - 16 X 1/4" LG	2
131	00715G2		BOLT, 5/16 - 18 X 13/16" LG.....	4
132	70046G02		BATTERY RACK	1
133	00438G6		BOLT, 5/16 - 18 X 3/4" LG.....	3
134	00565G8		WASHER, 5/16"	3
135				
136	74348G02		HITCH RECEIVER.....	1
137	00198G8		BOLT, 5/16 - 18 X 1" LG.....	1
138	00571G2		WASHER, 5/16"	1
139	11098G6		LOCK NUT, 5/16 - 18 (STAINLESS STEEL).....	1
140	00463G4		BOLT, 7/16 - 14 X 1 1/2" LG.....	4
141	00922G3		WASHER, 7/16"	4
142	00734G1		LOCK NUT, 7/16 - 14	4
143				
144				
145	74492G02		HEAVY DUTY BALL HITCH KIT (INCLUDES ITEMS 151, 157-161)	1
146	74492G04		ANGLE HITCH KIT (INCLUDES ITEMS 152, 157, 158).....	1
147	74492G06		CLEVIS HITCH KIT (INCLUDES ITEMS 153, 157, 158, 162, 163).....	1
148	74492G08		DROP ANGLE HITCH KIT (INCLUDES ITEMS 154, 157, 158)	1
149	74492G10		DROP BALL HITCH KIT (INCLUDES ITEMS 155, 157-161)	1
150	74492G12		DROP CLEVIS HITCH KIT (INCLUDES ITEMS 156, 157, 158, 162, 163).....	1
151	74351G02		HEAVY DUTY HITCH.....	1
152	74339G02		ANGLE HITCH	1
153	74338G02		CLEVIS HITCH.....	1
154	74489G02		DROP ANGLE HITCH.....	1
155	74491G02		DROP BALL HITCH	1

BODY

When ordering parts, please specify the model and serial number of the product.

* Indicates a component that is not available as an individual part.

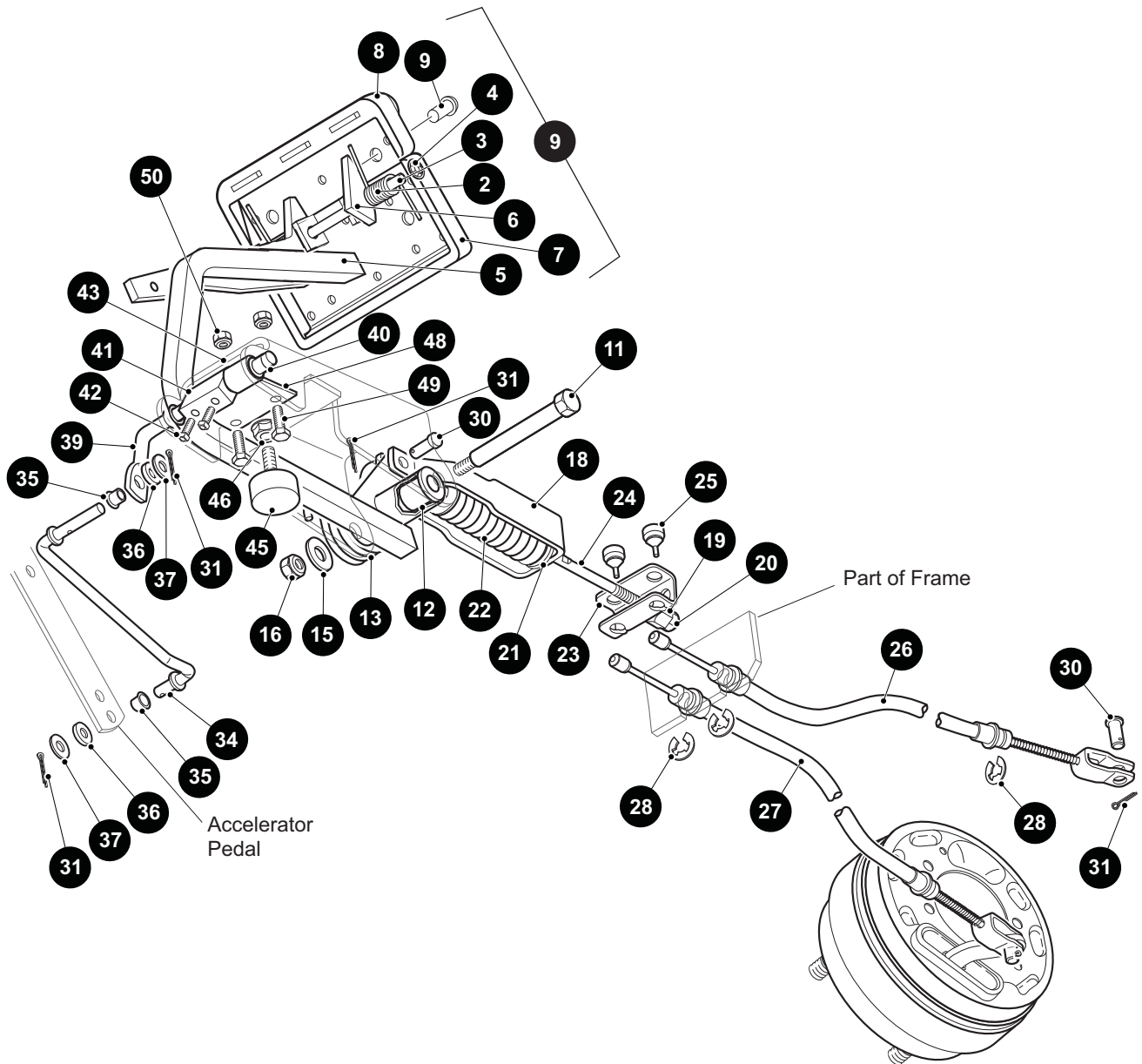
*** Indicates consult Customer Service Department for additional information.

ITEM	PART NO.	1	2	3	4	5	DESCRIPTION	QTY.
156	74495G02						DROP CLEVIS HITCH.....	1
157	21317G01						CLEVIS PIN, 5/8" X 3" LG	1
158	21683G1						COTTER PIN, 15/32" X 2 11/16" LG.....	1
159	31757G1						HITCH BALL, 1 7/8"	1
160	00566G6						LOCK WASHER, 3/4"	1
161	00702G11						NUT, 3/4 - 16.....	1
162	14443G7						CLEVIS PIN, 1/2" X 2 1/2" LG	1
163	19314G1						COTTER PIN, 2 1/2" LG	1

BRAKES

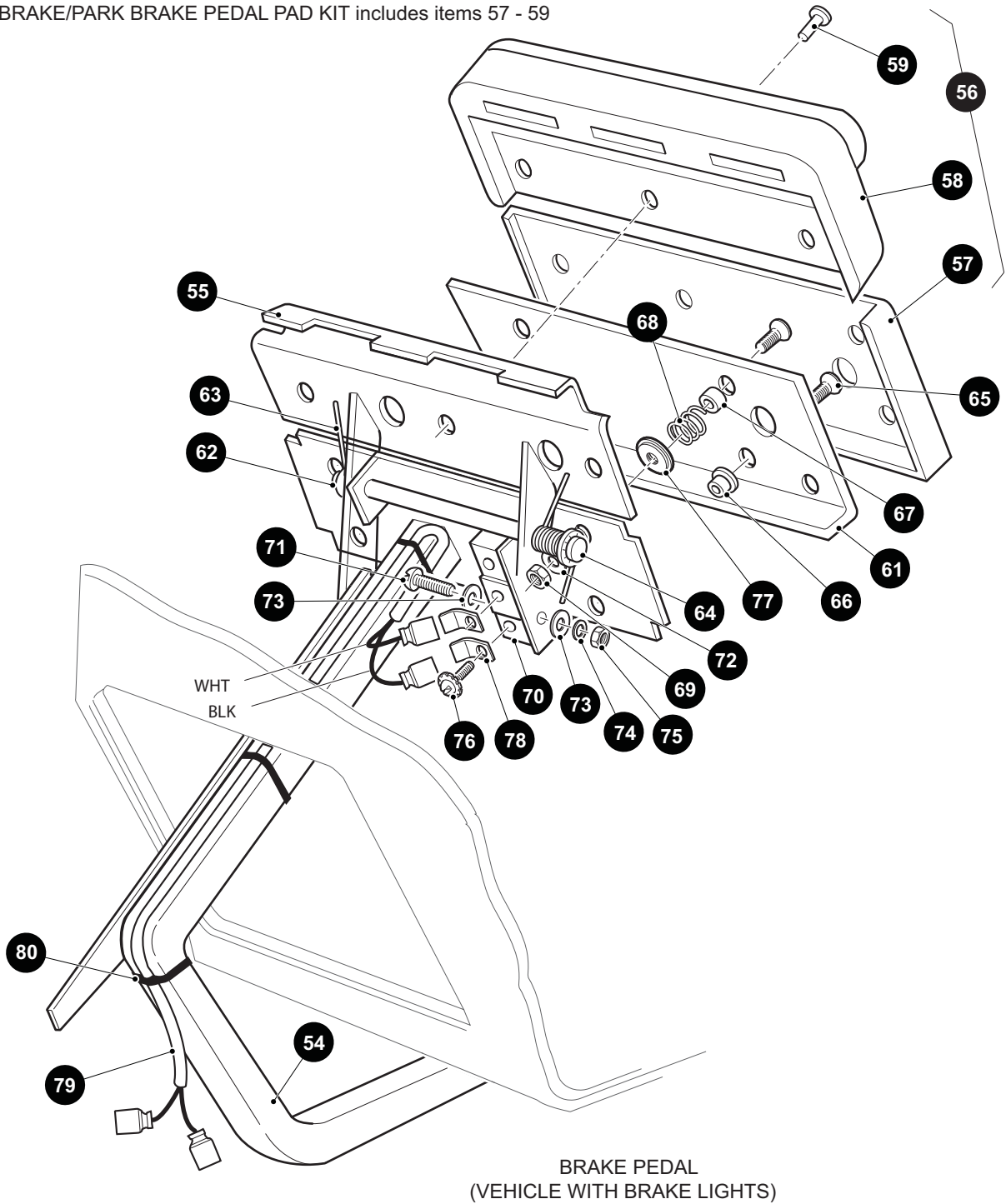
1 BRAKES PEDAL ASSEMBLY includes items 2 - 9

17 COMPENSATOR ASSEMBLY includes items 18 - 24



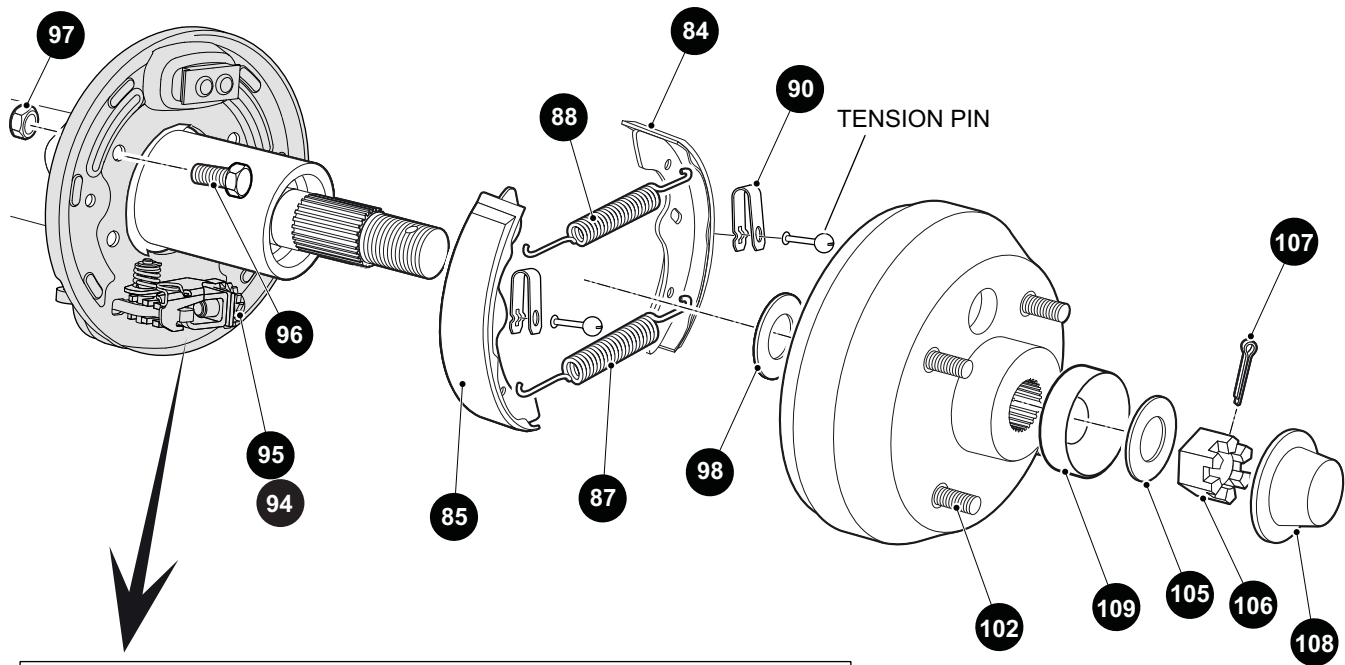
53 BRAKES PEDAL ASSEMBLY WITH BRAKE LIGHTS includes items 54 - 80

56 BRAKE/PARK BRAKE PEDAL PAD KIT includes items 57 - 59

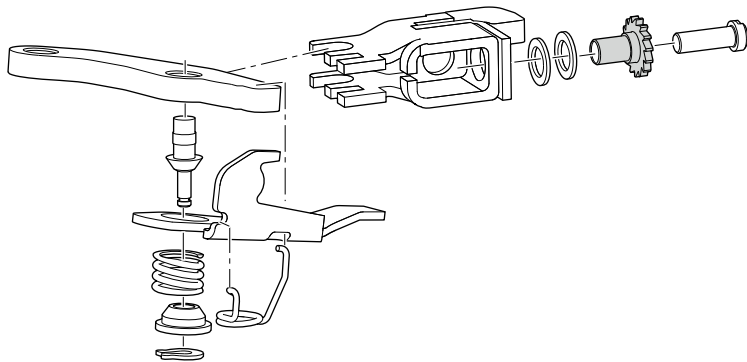


BOTTOM PULL

- 82 BRAKES ASSEMBLY includes items 84 - 88, 90, 95
- 83 BRAKES ASSEMBLY includes items 84 - 88, 90, 94
- 100 BRAKES DRUM ASSEMBLY includes items 101 - 102



ADJUSTER ASSEMBLY



BRAKES

When ordering parts, please specify the model and serial number of the product.

* Indicates a component that is not available as an individual part.

*** Indicates consult Customer Service Department for additional information.

ITEM	PART NO.	1 2 3 4 5	DESCRIPTION	QTY.
1	70612G02		BRAKES PEDAL ASSEMBLY (WITHOUT BRAKE LIGHTS) (INCLUDES ITEMS 2 - 9)	1
2	70681G01		TORSION SPRING	2
3	70682G01		PIVOT PIN.....	1
4	01071G01		PUSHNUT, 5/16"	2
5	70259G02		BRAKE PEDAL	1
6	70611G01		PARK BRAKE PEDAL.....	1
7	70257G01		SERVICE BRAKE PAD	1
8	70256G01		PARK BRAKE PEDAL PAD.....	1
9	16409G1		OVAL RIVET, 3/16" X 7/16" LG	9
10				
11	70582G01		SHOULDER BOLT, 3/8 - 16 X 4" LG (STAINLESS STEEL)	1
12	70581G01		FLANGED BUSHING.....	2
13	70676G01		TORSION SPRING.....	1
14				
15	00643G1		WASHER, 3/8"	1
16	11098G5		LOCK NUT, 3/8 - 16.....	1
17	612558		COMPENSATOR ASSEMBLY (INCLUDES ITEMS 18 - 24)	1
18	27330G01		BRAKE YOKE	1
19	00963G01		SPHERICAL NUT, 5/16 - 24.....	1
20	11098G9		LOCK NUT, 5/16 - 24	1
21	15121G1		WASHER 5/16.....	2
22	23463G1		COMPRESSION SPRING.....	1
23	28082G01		EQUALIZER BRACKET	1
24	612557		BRAKE COMPENSATOR LINK ROD	1
25	28083G01		BRAKE COMPENSATOR BUMPER	2
26	624700		BRAKE CABLE DRIVER SIDE	1
27	624698		BRAKE CABLE PASSENGER SIDE	1
28	01111G01		RETAINING RING, 13/32" (STAINLESS STEEL)	4
29				
30	10386G3		CLEVIS PIN, 5/16" X 13/16" LG	3

BRAKES

When ordering parts, please specify the model and serial number of the product.

* Indicates a component that is not available as an individual part.

*** Indicates consult Customer Service Department for additional information.

ITEM	PART NO.	1 2 3 4 5	DESCRIPTION	QTY.
31	10387G3		COTTER PIN, 3/32" X 3/4" LG	5
32				
33				
34	70601G01		KICK-OFF LINK.....	1
35	17838G1		NYLON BUSHING.....	2
36	20835G1		TEFLON WASHER, 3/8"	2
37	00559G8		WASHER, 5/16"	2
38				
39	70098G01		KICK-OFF CAM PIVOT	1
40	10097G6		FLANGED BEARING	2
41	70587G01		KICK-OFF CAM.....	1
42	71215G01		SETSCREW, 1/4 - 20 X 1/2" LG.....	2
43	14134G4		SPACER.....	1
44				
45	70113G01		ADJUSTABLE BUMPER	1
46	11027G1		LOCK NUT, 5/16 - 18	1
47				
48	70080G02		CATCH BRACKET	1
49	00414G6		BOLT, 1/4 - 20 X 3/4" LG	2
50	14390G4		LOCK NUT, 1/4 - 20 (STAINLESS STEEL)	2
51				
52				
53	70690G02		BRAKE PEDAL ASSEMBLY (WITH BRAKE LIGHTS) (INCLUDES ITEMS 54 - 80).....	1
54	*		BRAKE PEDAL	1
55	70611G02		PARK BRAKE PEDAL	1
56	70274G01		BRAKE/PARK BRAKE PEDAL PAD KIT (INCLUDES ITEMS 57 - 59).....	1
57	*		SERVICE BRAKE PAD	1
58	*		PARK BRAKE PAD	1
59	16409G1		OVAL RIVET, 3/16" x 7/16" LG.....	9
60				
61	70258G03		BRAKE PEDAL PLATE.....	1

BRAKES

When ordering parts, please specify the model and serial number of the product.

* Indicates a component that is not available as an individual part.

*** Indicates consult Customer Service Department for additional information.

ITEM	PART NO.	1 2 3 4 5	DESCRIPTION	QTY.
62	70682G01		PIVOT PIN.....	1
63	70681G01		TORSION SPRING	2
64	01071G01		PUSHNUT, 5/16"	1
65	00737G8		SCREW, #10 - 24 X 7/8" LG.....	4
66	00739G1		RUBBER NUT, #10 - 24	2
67	74535G01		BRAKE PEDAL STANDOFF	2
68	27137G01		CONICAL SPRING.....	2
69	14390G10		LOCK NUT, #10 - 24	2
70	10606G8		MICRO SWITCH	1
71	00645-G2		SCREW, #6 - 32 X 1 1/4" LG.....	2
72	00559G5		WASHER, #10.....	2
73	00559G3		WASHER, #6.....	4
74	00565G3		LOCK WASHER, #6.....	2
75	00525G5		NUT, #6 - 32	2
76	13514G1		SCREW AND LOCK WASHER, #6.....	2
77	00642-G8		WASHER - 5/16"	2
78	14628G1		FASTON TAB	2
79	24605G1		WIRE HARNESS (BRAKE LIGHT)	1
80	17618G1		WIRE TIE	4
81				
82	612189		BRAKE ASSEMBLY (DRIVER SIDE) (INCLUDES ITEMS 84 - 88, 90, 95)	1
83	612211		BRAKE ASSEMBLY (PASSENGER SIDE) (INCLUDES ITEMS 84 - 88, 90, 94)	1
84	612412		BRAKE SHOE	2
85	612411		BRAKE SHOE	2
86	612413		DUST COVER.....	1
87	612414		LOWER SPRING	1
88	612415		UPPER SPRING	1
89				
90	612416		SHOE CLAMP.....	2
91				

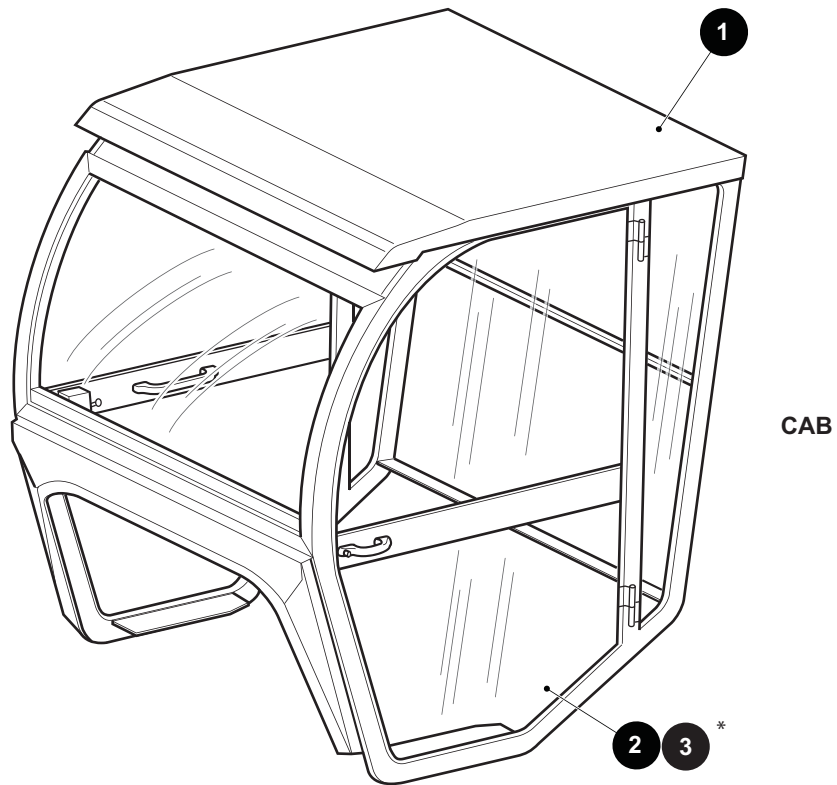
BRAKES

When ordering parts, please specify the model and serial number of the product.

* Indicates a component that is not available as an individual part.

*** Indicates consult Customer Service Department for additional information.

ITEM	PART NO.	1	2	3	4	5	DESCRIPTION	QTY.
92								
93								
94	612418						ADJUSTER	1
95	612417						ADJUSTER	1
96	17083G2						BOLT, 5/16 - 24 X 1" LG	8
97	15126G1						LOCK NUT, 5/16 - 24	8
98	21809G1						INNER BRAKE DRUM WASHER, 1 5/16" OD X 1" ID X 1/32"	2
99								
100	21807G2						BRAKE DRUM ASSEMBLY (INCLUDES ITEMS 101 - 102).....	2
101	*						BRAKE DRUM	1
102	19862G2						LUG BOLT, 1/2 - 20 X 1 3/16" LG	4
103								
104								
105	21830G1						OUTER BRAKE DRUM WASHER	2
106	613172						SLOTTED NUT, M22 X 1.5	2
107	10387G1						COTTER PIN, 1/8" X 1 1/2" LG	2
108	74175G01						SPINDLE CAP	2
109	607033						SPINDLE CAP ADAPTER.....	2



*Steel Doors Shown

When ordering parts, please specify the model and serial number of the product.

* Indicates a component that is not available as an individual part.

*** Indicates consult Customer Service Department for additional information.

ITEM	PART NO.	1 2 3 4 5	DESCRIPTION	QTY.
1	72684G**		STEEL CAB (WITHOUT DOORS) REPLACEMENT PARTS AND ACCESSORIES MAY BE OBTAINED FROM CURTIS CAB, INC. 72684G01 - STEEL CAB (WITHOUT DOORS) TAN 72684G02 - STEEL CAB (WITHOUT DOORS) WHITE 72684G03 - STEEL CAB (WITHOUT DOORS) OTHER	1
2	75855G01		VINYL DOOR KIT	1
3	75856G**		STEEL DOOR KIT 75856G01 - STEEL DOORS TAN 75856G03 - STEEL DOORS OTHER	1
<p>For Cab replacement parts and accessories, contact Curtis Cab at: Curtis Cab, Inc. 111 Higgins Street, Worcester, Massachusetts, 01606. Tel.: 508-853-2200. Toll free: 800-343-7676. www.curtiscab.com</p>				

ELECTRICAL SYSTEM

When ordering parts, please specify the model and serial number of the product.

* Indicates a component that is not available as an individual part.

*** Indicates consult Customer Service Department for additional information.

ITEM	PART NO.	1 2 3 4 5	DESCRIPTION	QTY.
1	***		6 VOLT BATTERY.....	8
2				
3	612867		BATTERY RETAINER.....	1
4	01101G01		HOLD DOWN BOLT (STAINLESS STEEL).....	2
5	11027G1		LOCK NUT, 5/16 - 18.....	2
6				
7				
8	73218G02		BATTERY RETAINER ANGLE.....	1
9	00438G6		BOLT, 5/16 - 18 X 3/4" LG.....	1
10	00559G8		WASHER, 5/16".....	2
11	11098G6		LOCK NUT, 5/16 - 18.....	1
12				
13				
14	11841G1		BATTERY RETAINER ANGLE INNER.....	1
15	01087G01		HOLD DOWN BOLT (STAINLESS STEEL).....	1
16	11027G1		LOCK NUT, 5/16 - 18.....	1
17				
18				
19	25971G18		4 GA WIRE (BATTERY INTERCONNECT, BLACK, 6").....	2
20	25971G13		4 GA WIRE (BATTERY INTERCONNECT, BLACK, 10 1/2").....	1
21	25971G14		4 GA WIRE (BATTERY INTERCONNECT, BLACK, 15").....	4
22	00565G8		LOCK WASHER, 5/16".....	16
23	00702G2		NUT, 5/16 - 18.....	16
24				
25				
26	25971G15		4 GA WIRE (BATTERY +, BLACK, 17").....	1
27	25971G16		4 GA WIRE (BATTERY -, BLACK, 19").....	5
28	74659G01		POWER HARNESS.....	1
29	74649G01		CONTROL HARNESS.....	1

ELECTRICAL SYSTEM

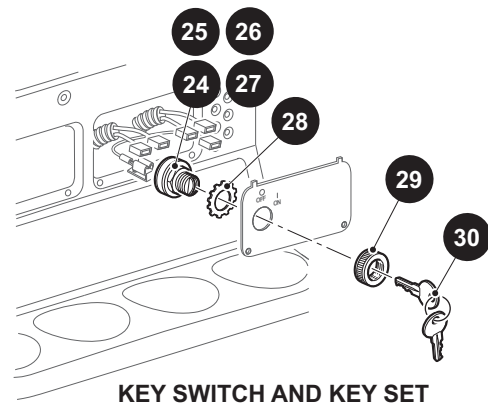
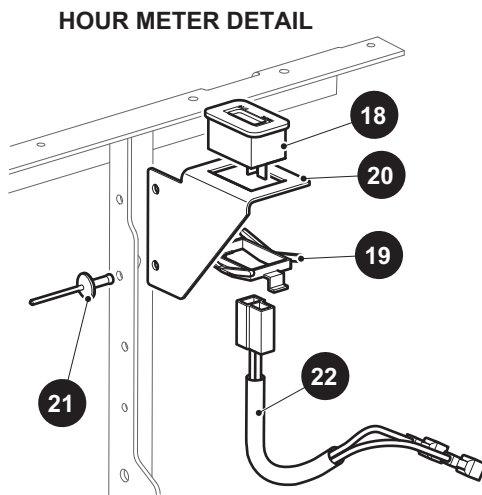
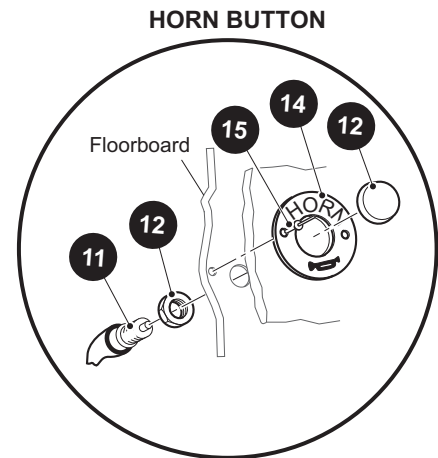
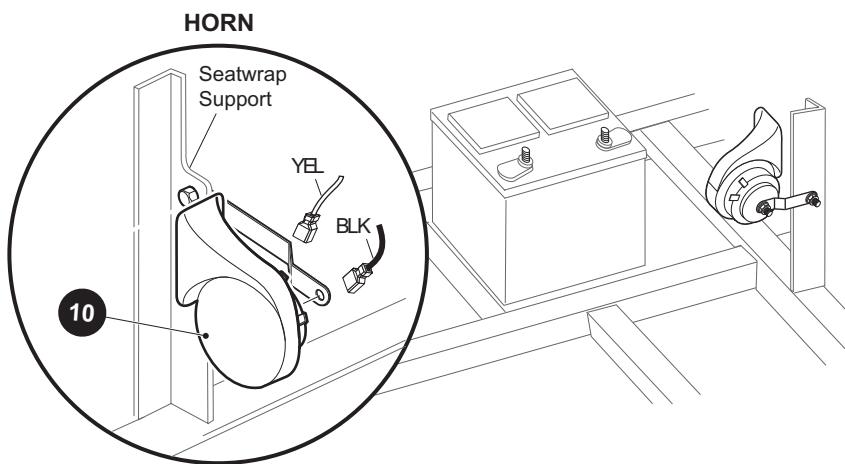
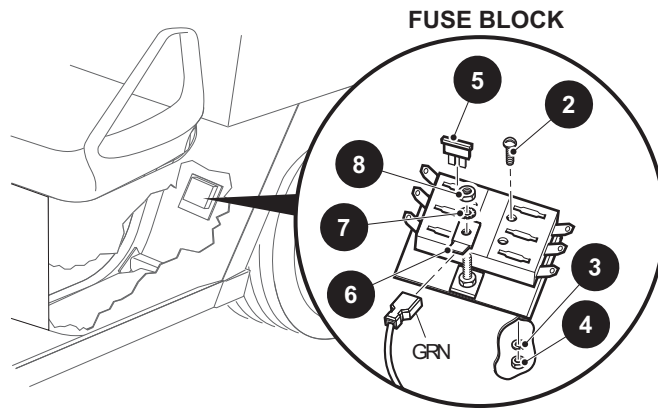
When ordering parts, please specify the model and serial number of the product.

* Indicates a component that is not available as an individual part.

*** Indicates consult Customer Service Department for additional information.

ITEM	PART NO.	1 2 3 4 5	DESCRIPTION	QTY.
30	609670		CHARGER RECEPTABLE AND HARNESS ASSEMBLY (INCLUDES ITEMS 31- 40).....	1
31	73051G30		CHARGER RECEPTACLE ASSEMBLY (INCLUDES ITEMS 32 - 39)	1
32	73051G21		RECEPTACLE COVER.....	1
33	73051G22		RECEPTACLE BOTTOM	1
34	73051G23		FEMALE CONNECTOR.....	1
35	73051G24		FEMALE CONNECTOR WITH INSULATOR SLEEVE	1
36	25978G25		18 GA WIRE (RED 9")	1
37	73051G08		SCREW, #10 - 32 X 1/2" LG (BRASS).....	2
38	73051G09		SCREW, #6 - 32 X 1 3/4" LG (STAINLESS STEEL)	3
39	73051G10		LOCK NUT, #6 - 32	3
40	609654		WIRE HARNESS (CHARGER).....	1
41				
42				
43				
44	14601G10		RIVET, 3/16" X 1" LG (ALUMINUM)	4
45	17618G1		WIRE TIE	3
46				
47				
48				
49	27327G02		CABLE CLAMP	1
50	10570G11		RIVET, 3/16" X 3/4" LG (STAINLESS STEEL)	1
51	17618G1		WIRE TIE	8
52				
53				
54				
55	00993G01		LOCK WASHER, 5/16" (SILICON BRONZE).....	5
56	28418G01		NUT, 5/16 - 18 (BRASS).....	2
57	00993G02		LOCK WASHER, 1/4" (SILICON BRONZE).....	2
58	28418G02		NUT, 1/4 - 20 (BRASS).....	2

ELECTRICAL SYSTEM



17 HOUR METER KIT includes items 18 - 22

ELECTRICAL SYSTEM

When ordering parts, please specify the model and serial number of the product.

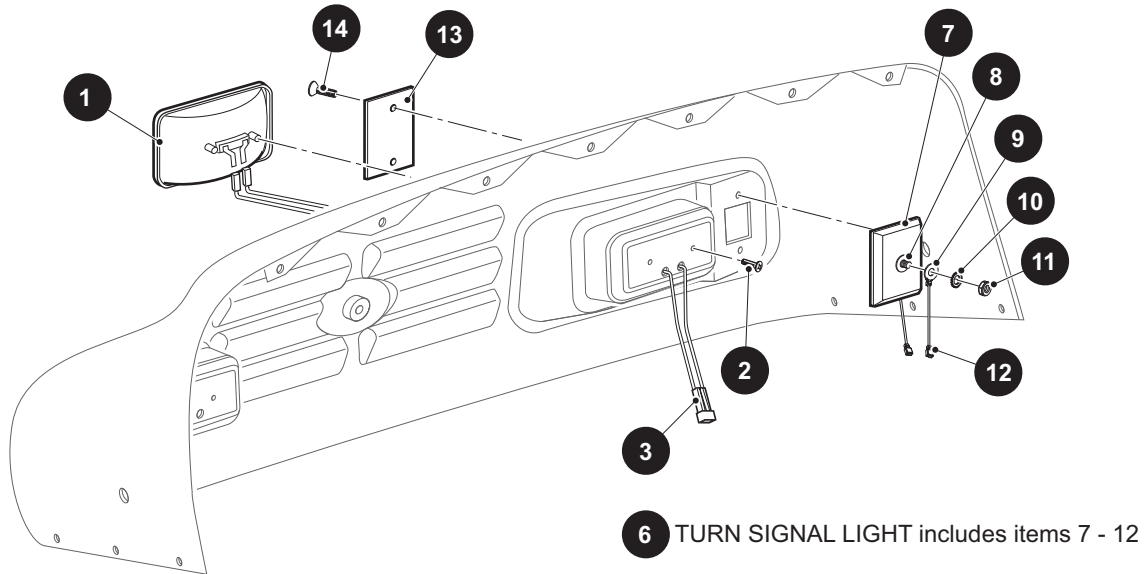
* Indicates a component that is not available as an individual part.

*** Indicates consult Customer Service Department for additional information.

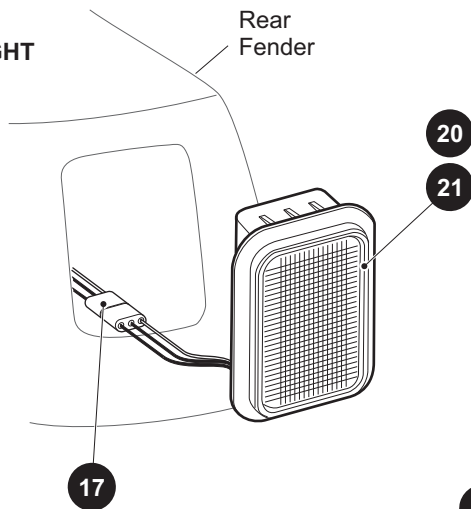
ITEM	PART NO.	1 2 3 4 5	DESCRIPTION	QTY.
1	35211G01		FUSE BLOCK (6 POSITION).....	1
2	00379G2		SCREW, #10 - 24 X 1 1/4" LG	2
3	00559G5		WASHER, #10	2
4	14390G10		LOCK NUT, #10 - 24	2
5	35212G01		FUSE, 15 AMP.....	AR
6	12914G1		PUSH ON MALE TERMINAL.....	1
7	00567G5		LOCK WASHER, #10	1
8	00526G4		NUT, #10 - 32.....	1
9				
10	32860G2		HORN	1
11	17318G1		HORN SWITCH	1
12	17318G2		HORN SWITCH CAP AND NUT.....	1
13	27068G01		HORN SWITCH BOOT	1
14	19233G1		HORN SWITCH PLATE	1
15	71055G01		RIVET, 3/16" X 1" LG (ALUMINUM)	2
16				
17	74914G02		HOUR METER KIT (INCLUDES ITEMS 18 - 22)	1
18	74665G02		HOUR METER	1
19	74696G01		HOUR METER RETAINER CLIP	1
20	74716G02		HOUR METER BRACKET	1
21	10570G11		RIVET, 3/16" X 3/4" LG (STAINLESS STEEL)	2
22	74908G01		WIRE HARNESS (HOUR METER)	1
23				
24	17421G1		KEY SWITCH KIT (W/O LIGHTS - STANDARD - WITH HARDWARE)	1
25	33639G02		KEY SWITCH (WITHOUT LIGHTS - NON STANDARD).....	1
26	33639G03		KEY SWITCH (WITH LIGHTS - INDIVIDUALLY KEYED)	1
27	33639G**		KEY SWITCH (WITH LIGHTS).....	1
28	00568G6		LOCK WASHER, 3/4"	1
29	17137G1		FACE NUT, 3/4 - 20	1
30	17063G1		KEY (SET)	1

ELECTRICAL SYSTEM

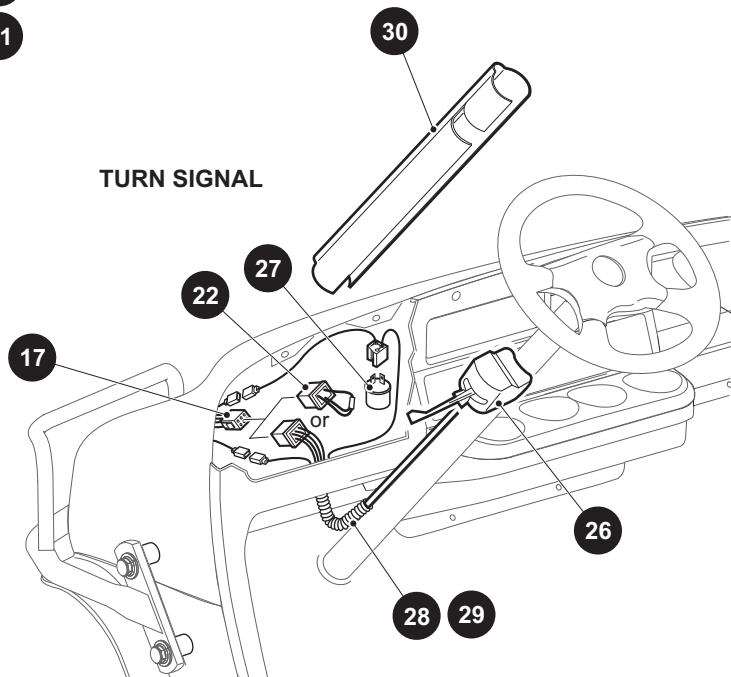
HEADLIGHT



TAILLIGHT



TURN SIGNAL



ELECTRICAL SYSTEM

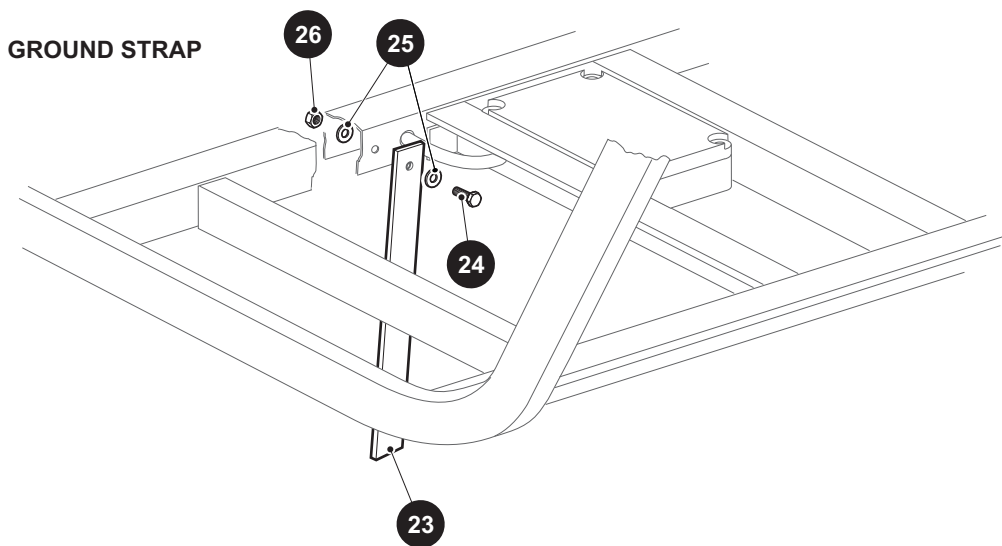
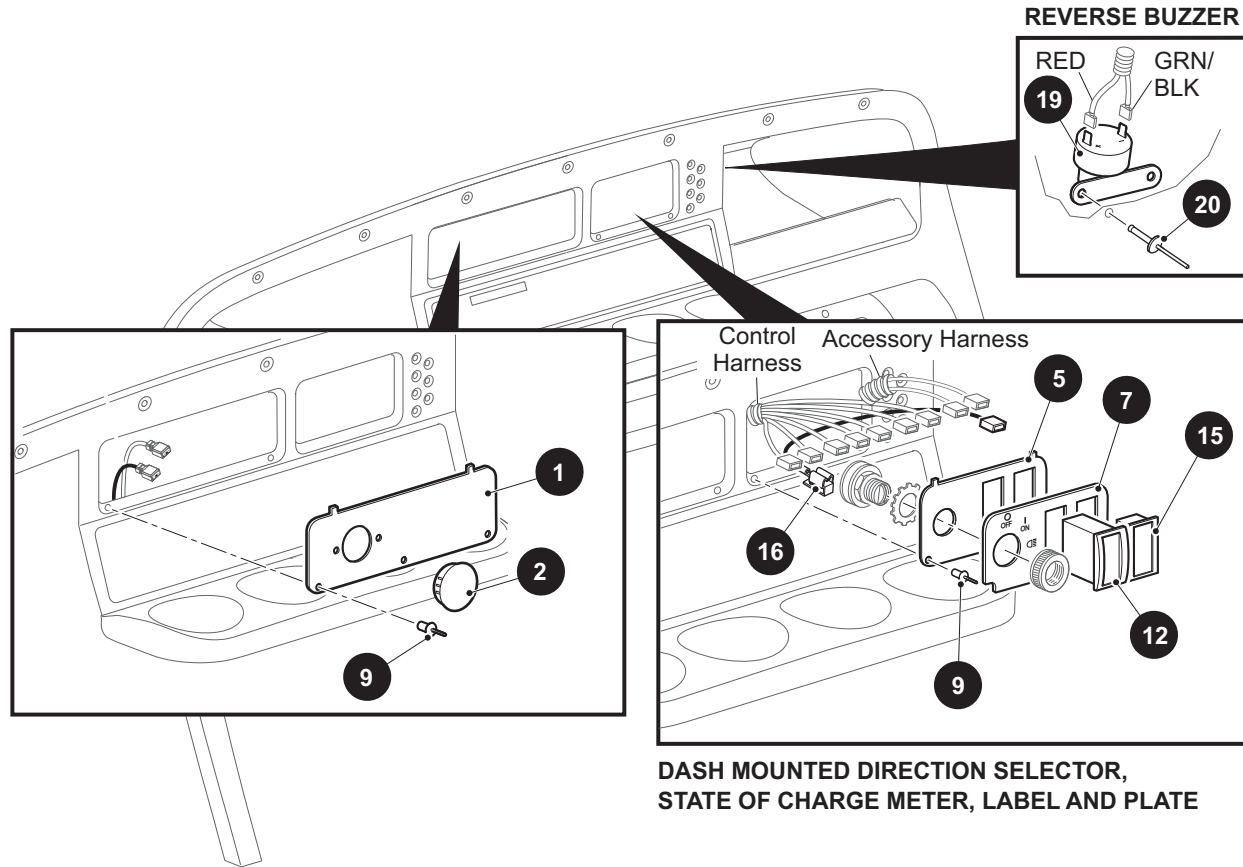
When ordering parts, please specify the model and serial number of the product.

* Indicates a component that is not available as an individual part.

*** Indicates consult Customer Service Department for additional information.

ITEM	PART NO.	1 2 3 4 5	DESCRIPTION	QTY.
1	22523G1		HEADLIGHT (RECTANGULAR)	2
2	00906G6		SCREW, #10 - 16 X 1" LG	2
3	74337G01		JUMPER WIRE (HEADLIGHT).....	2
4				
5				
6	20570G3		TURN SIGNAL LIGHT (INCLUDES ITEMS 7 - 12)	2
7	20574G3		TURN SIGNAL LIGHT	1
8	00660G7		WASHER, 1/4" (STAINLESS STEEL)	1
9	20606G1		WIRE	1
10	00567G7		LOCK WASHER, 1/4"	1
11	00532G1		NUT, 1/4 - 20	1
12	18995G1		PUSH-ON MALE TERMINAL	1
13	20574G4		LENS, AMBER.....	1
14	00118G5		SCREW, #6 - 18 X 5/8" LG	2
15				
16				
17	74651G01		WIRE HARNESS (ACCESSORY)	1
18				
19				
20	32739G3		TAILLIGHT (WITH SEALED CONNECTORS).....	2
21	21759G1		TAILLIGHT BULB.....	AR
22	75711G01		TAILLIGHT JUMPER PLUG (FOR VEHICLE W/OUT TURN SGL).....	1
23				
24				
25				
26	17867G1		TURN SIGNAL (WITH MOUNTING HARDWARE).....	1
27	21640G1		TURN SIGNAL FLASHER	1
28	32307G3		FLEX LOOM, 3/8" X 8" LG.....	1
29	17618G1		WIRE TIE	2
30	20965G3		STEERING COLUMN COVER	1

ELECTRICAL SYSTEM



ELECTRICAL SYSTEM

When ordering parts, please specify the model and serial number of the product.

* Indicates a component that is not available as an individual part.

*** Indicates consult Customer Service Department for additional information.

ITEM	PART NO.	1 2 3 4 5	DESCRIPTION	QTY.
1	73522G03		CONSOLE INSERT PLATE	1
2	20271G10		HOLE PLUG	1
3				
4				
5	73030G06		PLATE (KEY SWITCH, DIRECTION SELECTOR, CHARGE METER).....	1
6				
7	74322G01		LABEL (KEY SWITCH WITH LIGHTS, DIRECTION SELECTOR, CHARGE METER).....	1
8				
9	33623G02		DRIVE RIVET, 3/16" X 3/8" LG	5
10				
11				
12	74323G01		DIRECTION SELECTOR SWITCH (DASH MOUNTED)	1
13				
14				
15	33636G05		STATE OF CHARGE METER (VERTICAL)	1
16	25978G74		18 GA WIRE (RED 6")	1
17				
18				
19	73290G02		REVERSE WARNING BUZZER (CONTINUOUS TONE).....	1
20	01041G01		RIVET, 1/8" X 13/16" LG	2
21				
22				
23	35213G02		GROUND STRAP, 16" (EE ONLY)	1
24	00426G8		BOLT, 3/8 - 16 X 1" LG.....	1
25	00560G1		WASHER, 3/8"	2
26	11098G4		LOCK NUT, 3/8 - 16.....	1

ELECTRICAL SYSTEM

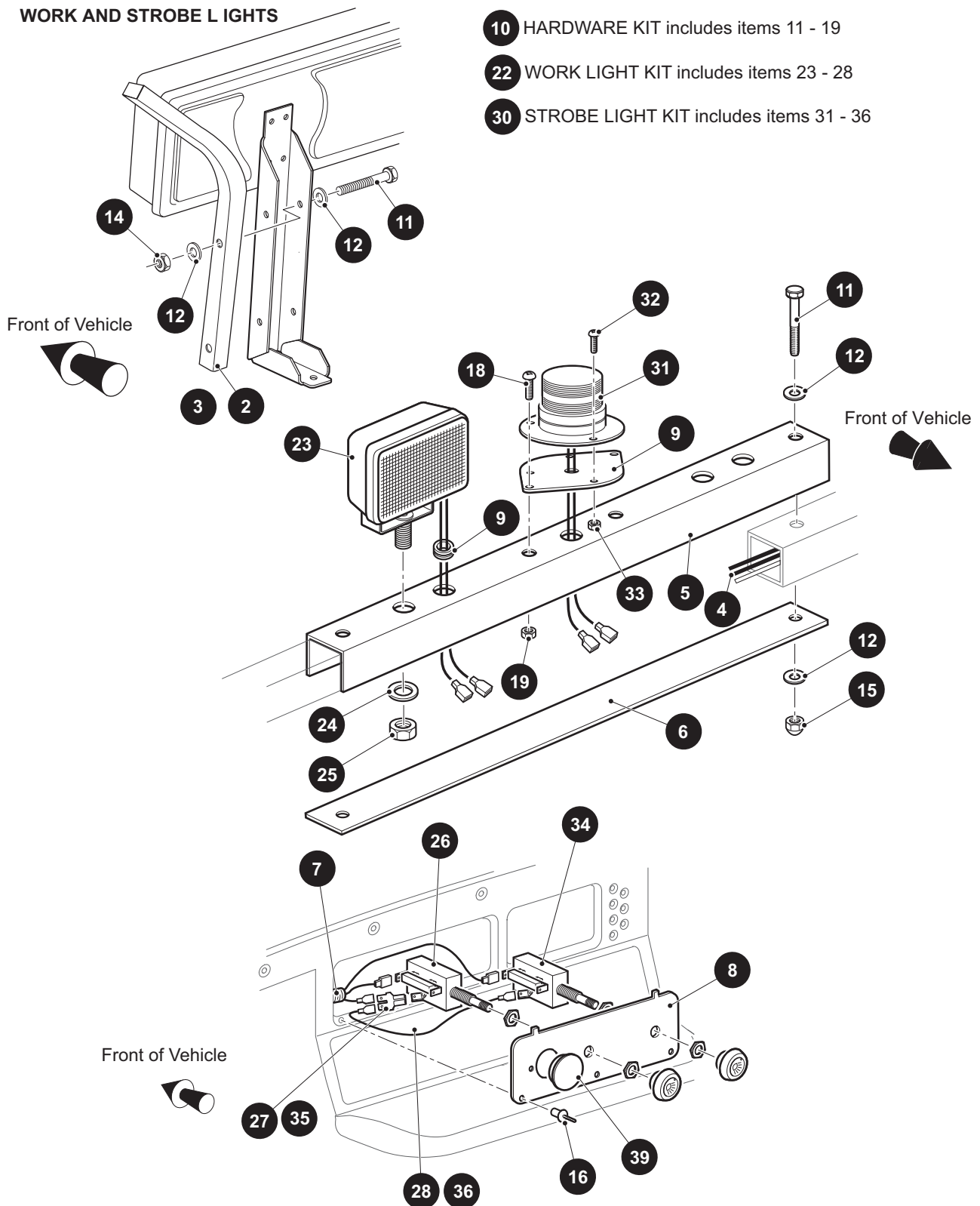
1 WORK LIGHT BAR WITH LIGHTS AND/OR STROBE includes items 2 - 19, 22 AND/OR 30

WORK AND STROBE LIGHTS

10 HARDWARE KIT includes items 11 - 19

22 WORK LIGHT KIT includes items 23 - 28

30 STROBE LIGHT KIT includes items 31 - 36



ELECTRICAL SYSTEM

When ordering parts, please specify the model and serial number of the product.

* Indicates a component that is not available as an individual part.

*** Indicates consult Customer Service Department for additional information.

ITEM	PART NO.	1 2 3 4 5	DESCRIPTION	QTY.
1	71323G**		WORK LIGHT BAR WITH LIGHTS AND/OR STROBE (INCLUDES ITEMS 2 - 19, 22 AND/OR 30)	1
2	75838G03		STRUT (DRIVER SIDE)	1
3	75838G04		STRUT (PASSENGER SIDE).....	1
4	75346G01		WIRE HARNESS (WORK LIGHT)	1
5	71294G02		BRACE	1
6	71293G02		COVER PLATE.....	1
7	75430G01		SWITCH HARNESS.....	1
8	73522G**		CONSOLE INSERT PLATE.....	1
9	33201G03		STROBE LIGHT MOUNT (USED ONLY WITH STROBE LIGHT)	1
10	75365G01		HARDWARE KIT (INCLUDES ITEMS 11 - 19)	1
11	00685G7		BOLT, 5/16 - 18 X 1 3/4" LG	6
12	00660G8		WASHER, 5/16"	12
13	15121G1		WASHER, 3/8" X 1 1/4"	2
14	01109G01		LOCK NUT, 5/16 - 18.....	4
15	00918G3		ACORN NUT, 5/16 - 18.....	2
16	33623G02		DRIVE RIVET, 3/16" X 3/8" LG.....	3
17	20367G1		GROMMET	2
18	16705G3		SCREW, 1/4 - 20 X 3/4" LG.....	2
19	14390G4		LOCK NUT, 1/4 - 20.....	2
20				
21				
22	20383G2		WORK LIGHT KIT (INCLUDES ITEMS 23 - 28).....	1
23	20209G2		WORK LIGHT (RECTANGULAR)	2
24	00566G3		LOCK WASHER, 1/2".....	2
25	00533G1		NUT, 1/2 - 13	2
26	17317G1		LIGHT SWITCH.....	1
27	17902G1		TAB ADAPTER.....	1
28	20053G1		16 GA WIRE (RED 5 3/8").....	1
29				

ELECTRICAL SYSTEM

When ordering parts, please specify the model and serial number of the product.

* Indicates a component that is not available as an individual part.

*** Indicates consult Customer Service Department for additional information.

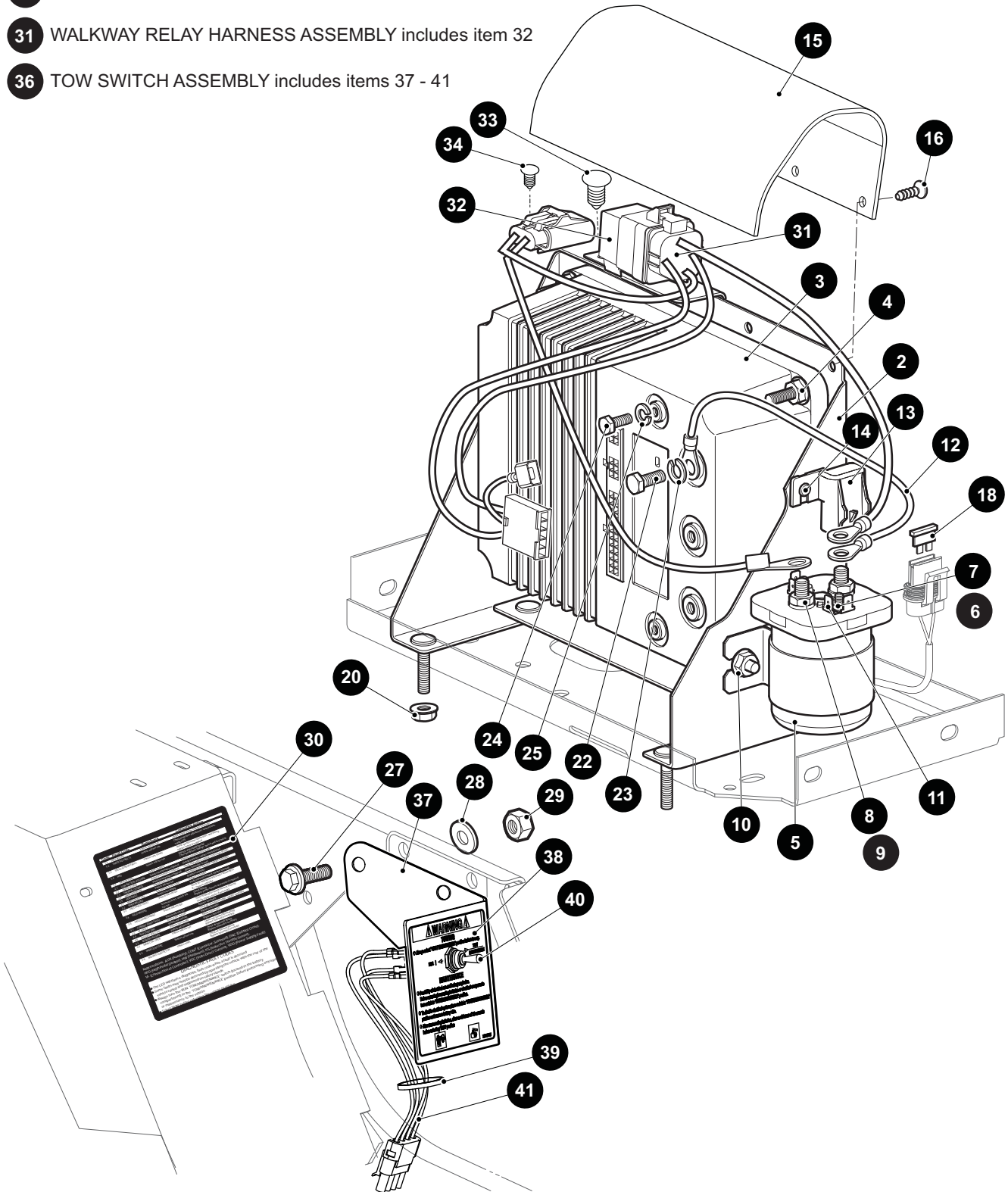
ITEM	PART NO.	1 2 3 4 5	DESCRIPTION	QTY.
30	20385G3		STROBE LIGHT KIT (INCLUDES ITEMS 31 - 36).....	1
31	20394G4		STROBE LIGHT.....	1
32	00379G4		SCREW, #10 - 24 x 1/2" LG.....	3
33	14390G10		LOCK NUT, #10 - 24.....	3
34	17317G1		LIGHT SWITCH.....	1
35	17902G1		TAB ADAPTER.....	1
36	20053G1		16 GA WIRE (RED 5 3/8").....	1
37				
38				
39	20271G10		HOLE PLUG.....	1

ELECTRONIC SPEED CONTROL

1 ELECTRONIC SPEED CONTROL ASSEMBLY includes items 2 - 16, 31, 33, 34

31 WALKWAY RELAY HARNESS ASSEMBLY includes item 32

36 TOW SWITCH ASSEMBLY includes items 37 - 41



ELECTRONIC SPEED CONTROL

When ordering parts, please specify the model and serial number of the product.

* Indicates a component that is not available as an individual part.

*** Indicates consult Customer Service Department for additional information.

ITEM	PART NO.	1 2 3 4 5	DESCRIPTION	QTY.
1	73348-G04		ELECTRONIC SPEED CONTROL ASSEMBLY (INCLUDES ITEMS 2 - 16, 31, 33, 34)	1
2	73351G01		CONTROLLER MOUNT	1
3	611173		ELECTRONIC SPEED CONTROLLER	1
4	11027G2		LOCK NUT, 1/4 - 20	4
5	73231G01		SOLENOID	1
6	*		LOCK WASHER, #10	2
7	*		NUT, #10 - 32	2
8	*		LOCK WASHER, 5/16"	2
9	*		JAM NUT, 5/16 - 24	2
10	11027G2		LOCK NUT, 1/4 - 20	2
11	73446G01		FASTON TAB, 90°	4
12	25971G17		4 GA WIRE (BLACK 9")	1
13	73499G01		IN-LINE FUSE COVER	1
14	15058G1		RIVET, 3/16" X 7/16" LG (ALUMINUM)	1
15	73523G01		COVER	1
16	16816G1		RATCHET FASTENER, 1/4" X 9/16" LG	4
17				
18	35212G05		FUSE, 7.5 AMP	1
19				
20	11027G2		LOCK NUT, 1/4 - 20	4
21				
22	73296G01		BOLT, 8MM X 16MM LG	3
23	00993G01		LOCK WASHER, 5/16" (SILICON BRONZE)	5
24	73346G01		BOLT, 6MM X 1 X 12MM LG	2
25	00993G02		LOCK WASHER, 1/4" (SILICON BRONZE)	2
26				
27	00438G8		CAP SCREW, 5/16 - 18	1
28	00571G2		FLAT WASHER	1
29	11098G6		LOCK NUT	1
30	73398G01		DIAGNOSTIC LABEL (FAULT CODE)	1

ELECTRONIC SPEED CONTROL

When ordering parts, please specify the model and serial number of the product.

* Indicates a component that is not available as an individual part.

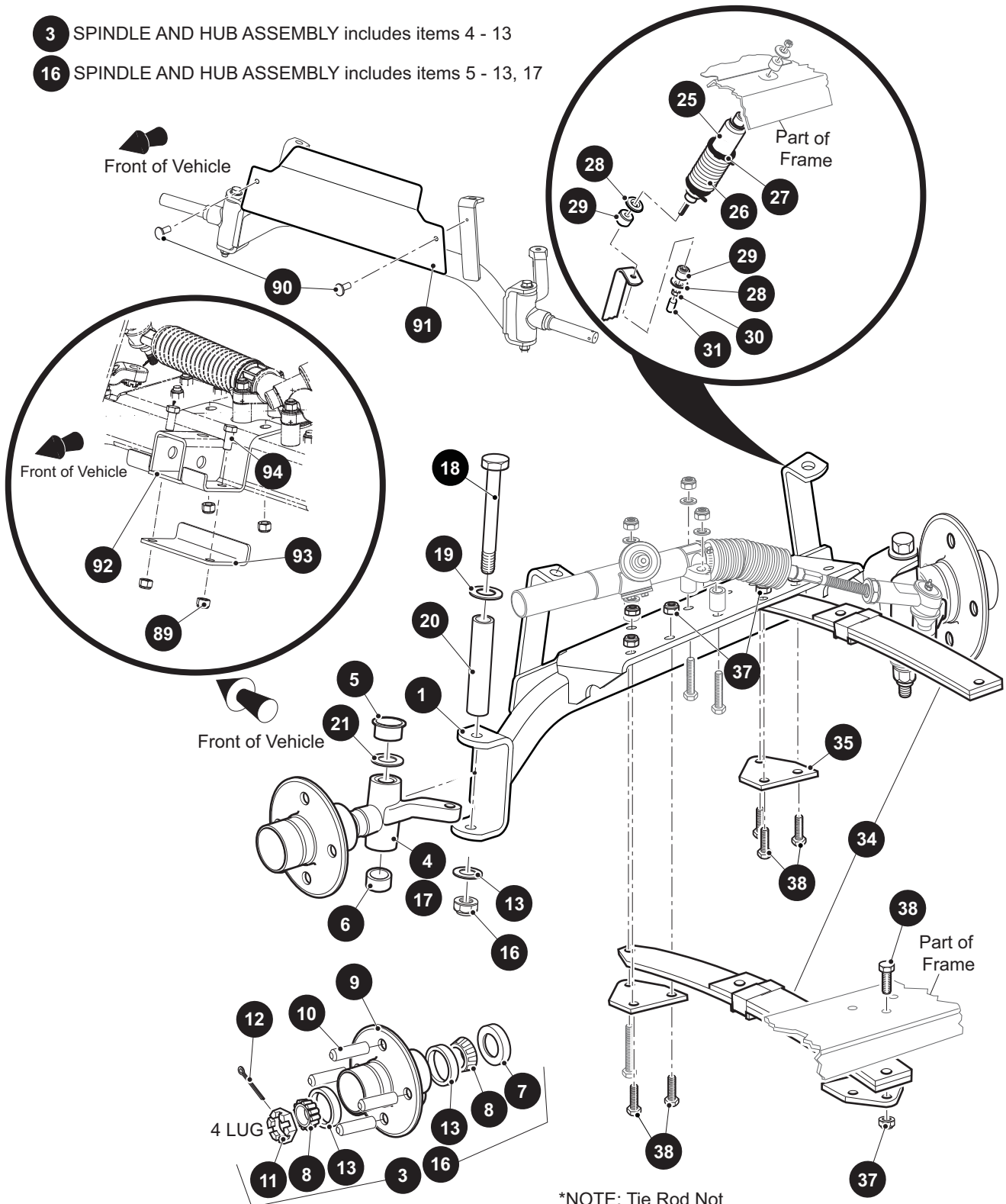
*** Indicates consult Customer Service Department for additional information.

ITEM	PART NO.	1	2	3	4	5	DESCRIPTION	QTY.
31	608931						WALKAWAY RELAY HARNESS ASSEMBLY (INCLUDES ITEM 32).....	1
32	604110						RELAY	1
33	16816G5						RIVET, 0.18 X 0.55	1
34	16816G2						RIVET, 0.25 X 0.88	1
35								
36	611153						TOW SWITCH ASSEMBLY (INCLUDES ITEMS 37 - 41)	1
37	611150						BRACKET	1
38	73340G01						DECAL, TOW/RUN SWITCH.....	1
39	17618G1						NYLON CLAMP	1
40	73354G02						TOGGLE SWITCH.....	1
41	73138G03						HARNESS.....	1

FRONT SUSPENSION/STEERING

3 SPINDLE AND HUB ASSEMBLY includes items 4 - 13

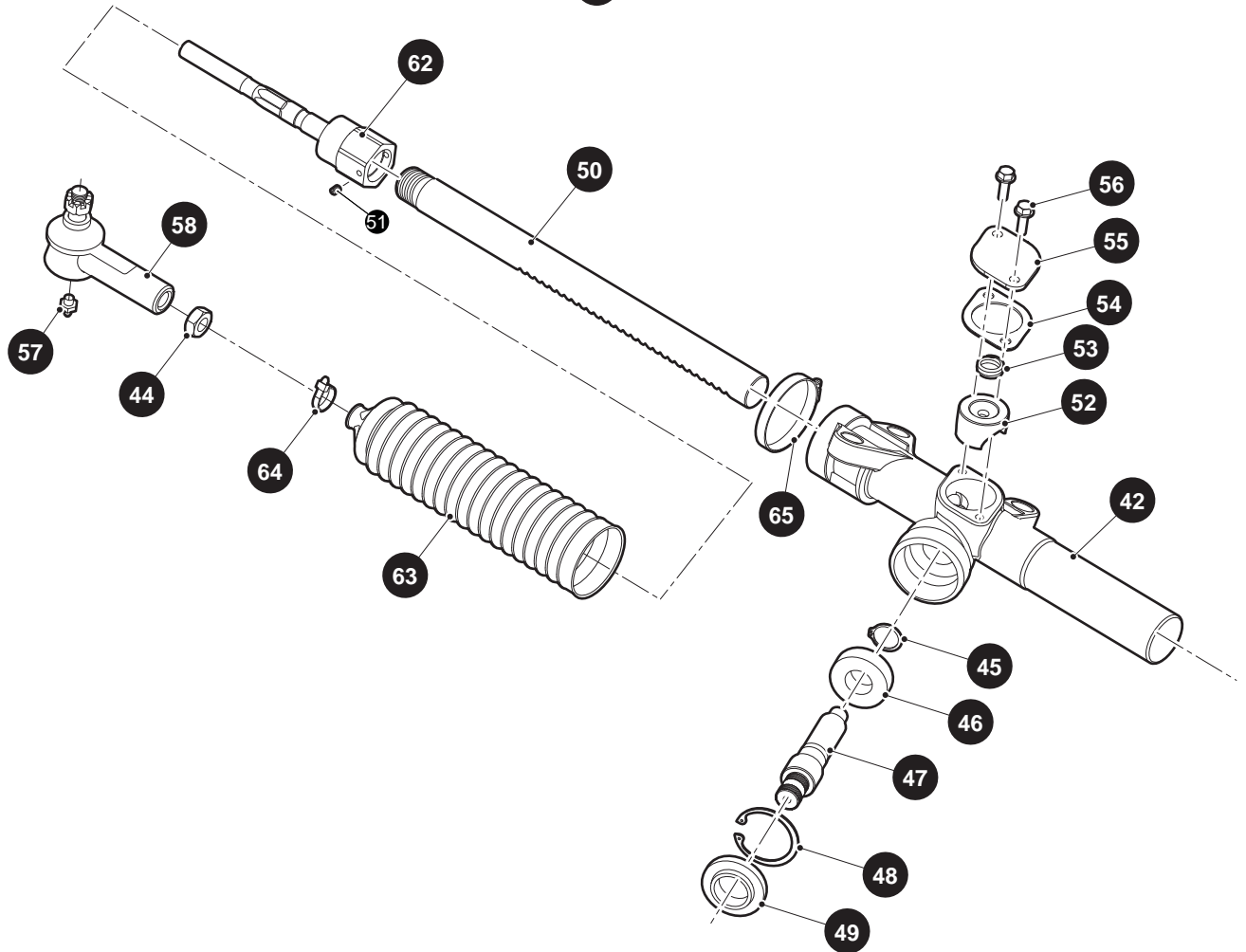
16 SPINDLE AND HUB ASSEMBLY includes items 5 - 13, 17



*NOTE: Tie Rod Not Shown for Clarity

FRONT SUSPENSION/STEERING

41 RACK AND PINION UNIT includes items 42 - 65

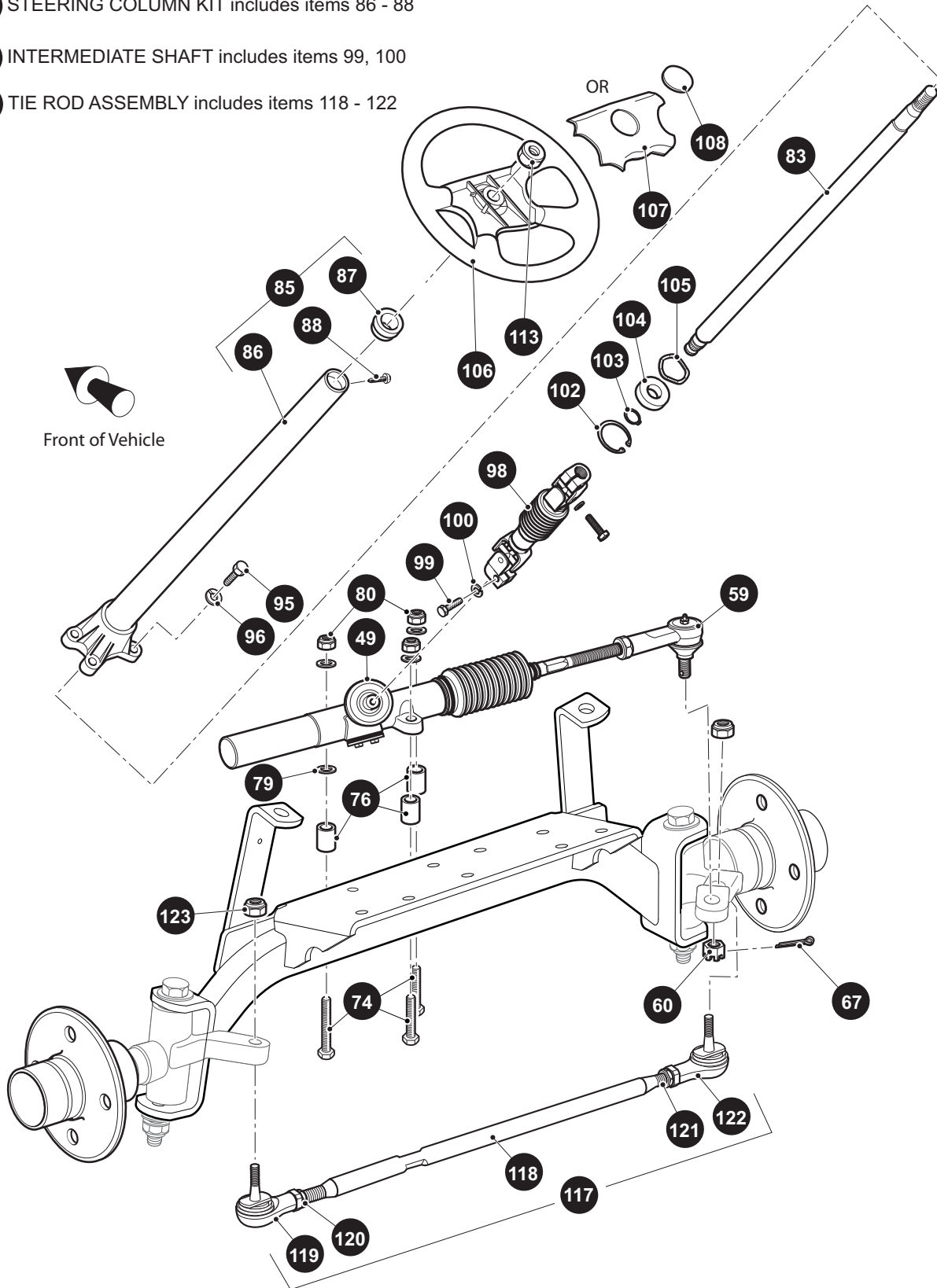


FRONT SUSPENSION/STEERING

85 STEERING COLUMN KIT includes items 86 - 88

98 INTERMEDIATE SHAFT includes items 99, 100

117 TIE ROD ASSEMBLY includes items 118 - 122



FRONT SUSPENSION/STEERING

When ordering parts, please specify the model and serial number of the product.

* Indicates a component that is not available as an individual part.

*** Indicates consult Customer Service Department for additional information.

ITEM	PART NO.	1 2 3 4 5	DESCRIPTION	QTY.
1	606989		FRONT AXLE	1
2				
3	70930G01		SPINDLE AND HUB ASSEMBLY, 4 LUG (PASSENGER SIDE) (INCLUDES ITEMS 4 - 13)	1
4	70802G01		SPINDLE ASSEMBLY (PASSENGER SIDE)	1
5	70648G01		FLANGED BEARING	1
6	70749G01		BEARING	1
7	25146G1		GREASE SEAL	1
8	11750G2		ROLLER BEARING AND RACE ASSEMBLY	2
9	74332G01		WHEEL HUB	1
10	34117G02		BOLT, 1/2 - 20 X 2"	4
11	12093G1		SLOTTED NUT, 1 - 14.....	1
12	00798G8		COTTER PIN, 5/32" X 1 3/4" LG	1
13	51141G1		RACE BEARING	2
14				
15				
16	70931G01		SPINDLE AND HUB ASSEMBLY, 4 LUG (DRIVER SIDE) (INCLUDES ITEMS 5 - 13 & 17)	1
17	70803G01		SPINDLE ASSEMBLY (DRIVER SIDE)	1
18	00407G6		BOLT, 1/2 - 13 X 6" LG.....	2
19	00560G3		WASHER, 1/2"	4
20	70745G01		KING PIN TUBE.....	2
21	70754G01		THRUST WASHER (STAINLESS STEEL)	2
22	14390G6		LOCK NUT, 1/2 - 13.....	2
23				
24				
25	76419G01		SHOCK ABSORBER	2
26	70509G01		SHOCK ABSORBER BOOT	2
27	31539G1		NYLON CLAMP	4
28	10435G1		SHOCK ABSORBER WASHER	8
29	10194G1		RUBBER SHOCK ABSORBER BUSHING.....	8
30	00532G6		NUT, 3/8 - 24.....	4

FRONT SUSPENSION/STEERING

When ordering parts, please specify the model and serial number of the product.

* Indicates a component that is not available as an individual part.

*** Indicates consult Customer Service Department for additional information.

ITEM	PART NO.	1 2 3 4 5	DESCRIPTION	QTY.
31	10044G01		VINYL CAP.....	2
32				
33				
34	70990G03		FRONT CANT LEAF SPRING	2
35	70163G03		SPRING PLATE	4
36				
37	00734G1		LOCK NUT, 7/16 - 14	12
38	00463G11		BOLT, 7/16 - 14 X 1 5/8" LG	12
39				
40				
41	70964G01		RACK AND PINION UNIT (COMPLETE) (INCLUDES ITEMS 42 - 65)	1
42	70965G01		STEERING RACK COVER & BEARING	1
43				
44	*		JAM NUT, 1/2 - 20.....	1
45	70750G01		RETAINING RING (EXTERNAL)	1
46	15112G1		BALL BEARING	1
47	70603G01		PINION.....	1
48	70751G01		RETAINING RING (INTERNAL)	1
49	70638G01		SEAL PINION	1
50	70604G01		RACK STEERING.....	1
51	01053G01		SCREW, 10- 32.....	1
52	70590G01		RACK LOADER	1
53	70666G01		COMPRESSION SPRING	1
54	70645G01		GASKET RACK LOADER.....	1
55	70591G01		COVER RACK LOADER	1
56	71102G01		SCREW, 1/4 - 20.....	2
57	10389G3		GREASE FITTING, STRAIGHT	1
58	70695G01		RACK BALL JOINT	1
59	50641G1		RUBBER BOOT.....	1
60	50209G2		SLOTTED NUT, 7/16 - 20	1
61				

FRONT SUSPENSION/STEERING

When ordering parts, please specify the model and serial number of the product.

* Indicates a component that is not available as an individual part.

*** Indicates consult Customer Service Department for additional information.

ITEM	PART NO.	1 2 3 4 5	DESCRIPTION	QTY.
62	74694G01		ROD END (INNER)	1
63	70961G01		RACK BOOT	1
64	12416G2		NYLON CLAMP	1
65	11391G8		WIRE TIE	1
66				
67	10387G2		COTTER PIN, 3/32" X 3/4" LG	1
68				
69				
70				
71				
72				
73				
74	00464G6		BOLT, 7/16 - 14 X 2 3/4" LG.....	3
75				
76	70667G02		SPACER	3
77				
78				
79	00560G2		FLAT WASHER, 1/2"	6
80	00734G1		LOCK NUT, 7/16 - 14	3
81				
82				
83	70607G01		STEERING SHAFT.....	1
84				
85	70758G05		STEERING COLUMN KIT (INCLUDES ITEMS 86 - 88).....	1
86	70610G03		STEERING COLUMN	1
87	28569G01		STEERING COLUMN BUSHING	1
88	01022G01		SCREW, #6 - 20 X 5/16" LG.....	1
89	00734G1		LOCK NUT, 7/16 - 14	4
90	15058G1		RIVET	2
91	605642		STEERING RACK COVER.....	1
92	604559		WELDMENT, WINCH RECEIVER	1

FRONT SUSPENSION/STEERING

When ordering parts, please specify the model and serial number of the product.

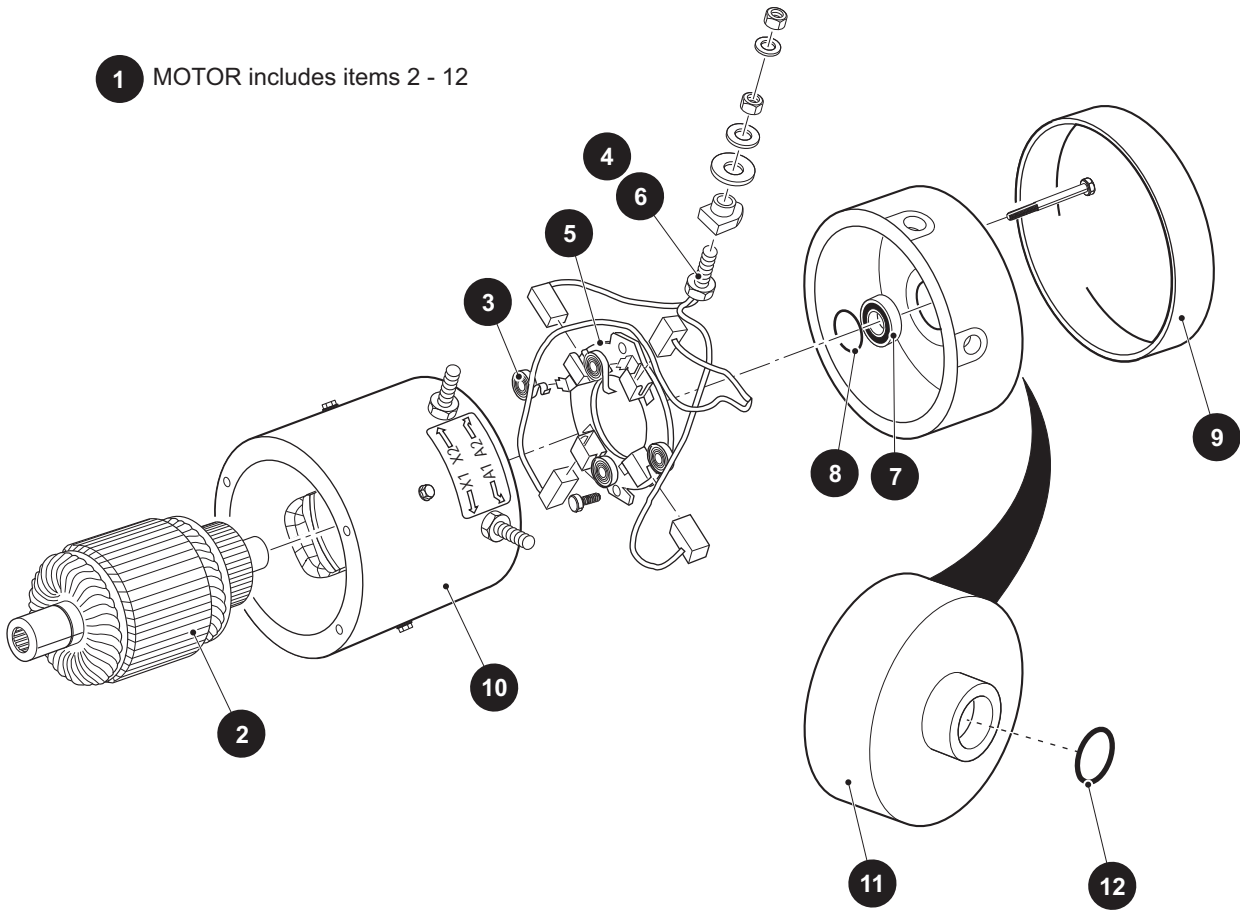
* Indicates a component that is not available as an individual part.

*** Indicates consult Customer Service Department for additional information.

ITEM	PART NO.	1 2 3 4 5	DESCRIPTION	QTY.
93	604572		PL, WINCH RECEIVER RETAINER	1
94	00462G8		SCREW, HEXAGON HEAD 7/16 - 14	4
95	01006G01		BOLT, 3/8 - 16 X 1 1/4" LG WITH PATCHLOCK	4
96	00879G1		LOCK WASHER, 3/8"	4
97				
98	70580G01		INTERMEDIATE SHAFT (INCLUDES ITEMS 99, 100).....	1
99	01055G01		BOLT, M8 X 1 1/4" LG.....	2
100	00565G8		LOCK WASHER, 5/16"	2
101				
102	70751G01		RETAINING RING (INTERNAL)	1
103	70888G01		RETAINING RING (EXTERNAL).....	1
104	15112G1		BALL BEARING	1
105	70887G01		WAVE WASHER.....	1
106	602980		STEERING WHEEL	1
107	71147G01		STEERING WHEEL COVER	1
108	605435		LABEL (E-Z-GO)	1
109				
110				
111				
112				
113	14390G2		LOCK NUT, 5/8 - 18	1
114				
115				
116				
117	70876G02		TIE ROD ASSEMBLY (INCLUDES ITEMS 118 - 122)	1
118	70897G02		THREADED ROD (24" LG).....	1
119	70902G01		TIE ROD END (LEFT HAND THREADS)	1
120	01069G01		JAM NUT, M12 X 1.25-05 (LEFT HAND THREADS).....	1
121	70902G02		TIE ROD END (RIGHT HAND THREADS).....	1
122	01069G02		JAM NUT, M12 X 1.25-05 (RIGHT HAND THREADS)	1
123	00734G1		LOCK NUT, 7/16 - 14	2

MOTOR

1 MOTOR includes items 2 - 12



MOTOR

When ordering parts, please specify the model and serial number of the product.

* Indicates a component that is not available as an individual part.

*** Indicates consult Customer Service Department for additional information.

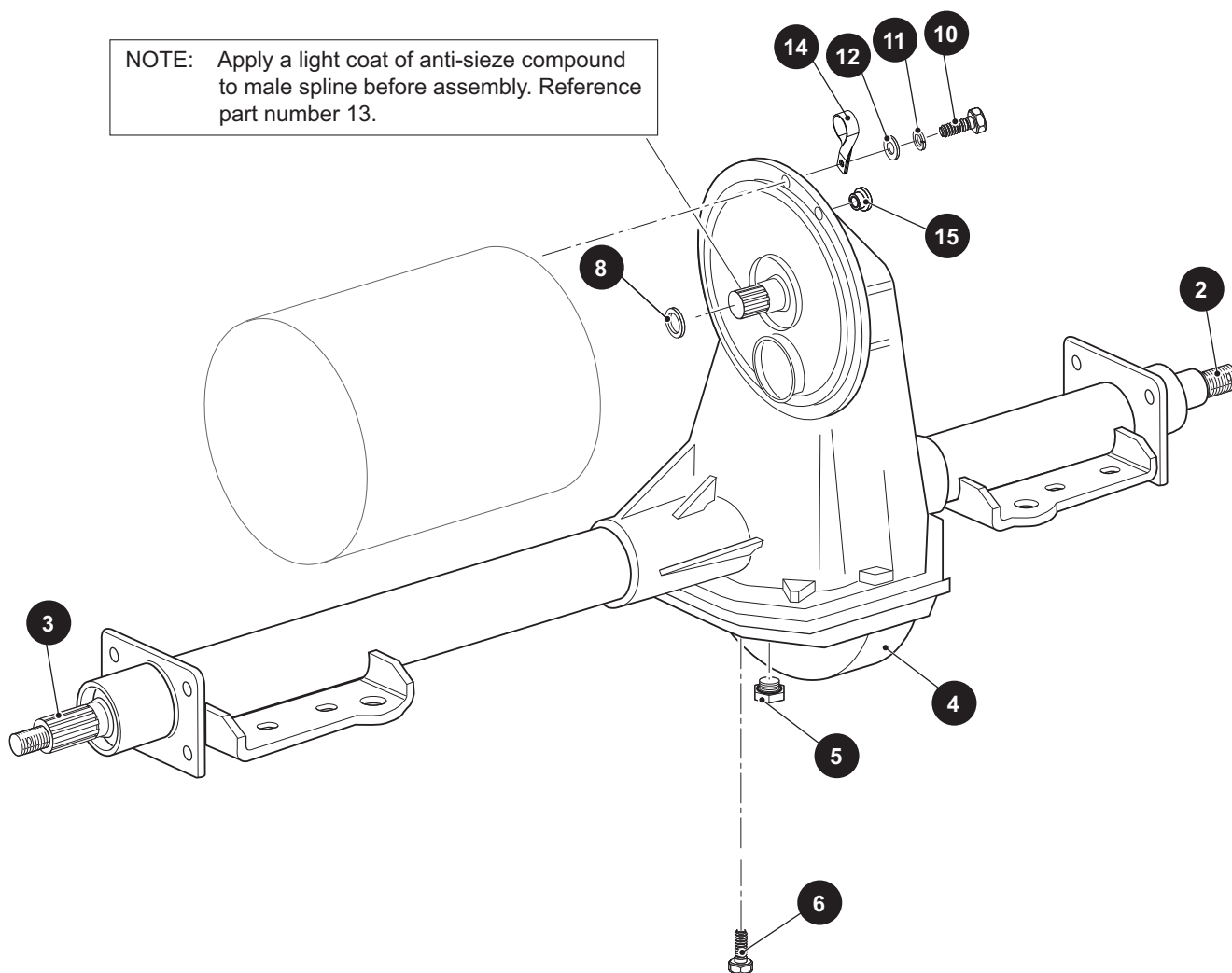
ITEM	PART NO.	1 2 3 4 5	DESCRIPTION	QTY.
1	628660		MOTOR (SEPARATELY EXCITED) (INCLUDES ITEMS 2 - 12)	1
2	73120G36		ARMATURE.....	1
3	73120G38		BRUSH SPRING	8
4	73120G39		BRUSH.....	1
5	73120G40		BRUSH BOX	1
6	73120G41		BRUSH REPLACEMENT KIT (INCLUDES HARDWARE).....	1
7	73120G07		BEARING	1
8	73120G06		SNAP RING.....	1
9	73120G43		HEADBAND	1
10	73120G37		FRAME AND FIELD COIL (INCLUDES HARDWARE)	1
11	629409		COVER COMMUTATOR END	1
12	624109		O-RING	1

REAR AXLE

1 REAR AXLE ASSEMBLY includes items 2 - 8

16 REAR AXLE ASSEMBLY W/LSD includes items 2 - 8

NOTE: Apply a light coat of anti-sieze compound to male spline before assembly. Reference part number 13.



REAR AXLE

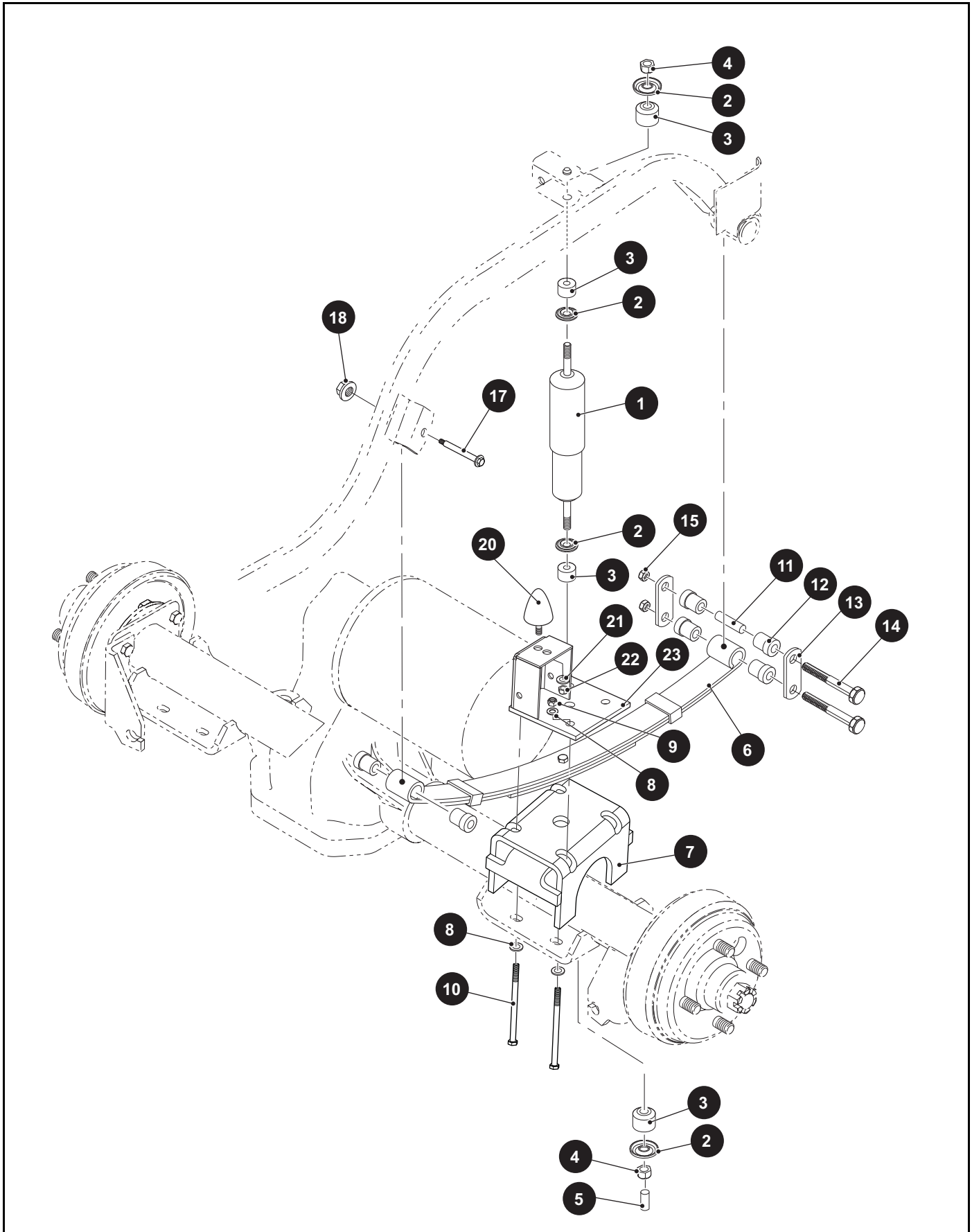
When ordering parts, please specify the model and serial number of the product.

* Indicates a component that is not available as an individual part.

*** Indicates consult Customer Service Department for additional information.

ITEM	PART NO.	1 2 3 4 5	DESCRIPTION	QTY.
1	74612G01		REAR AXLE ASSEMBLY 14.76:1 (INCLUDES ITEMS 2 - 8).....	1
2	617609		AXLE SHAFT (PASSENGER SIDE).....	1
3	617608		AXLE SHAFT (DRIVER SIDE)	1
4	*		DIFFERENTIAL COVER	1
5	601085		HEXAGONAL HEAD PLUG	1
6	15558G1		BOLT, 5/16 - 18 X 3/4" LG	10
7				
8	24628G1		O-RING INPUT SHAFT	1
9				
10	00797G2		BOLT, 1/4 - 20 X 1 1/4" LG.....	3
11	00664G7		LOCK WASHER, 1/4" (STAINLESS STEEL)	3
12	01110G01		WASHER, 1/4" (STAINLESS STEEL).....	3
13	*		ANTI-SIEZE COMPOUND.....	AR
14	27327G01		TWISTED CLAMP	1
15	624110		PLUG	3
16	617173		REAR AXLE ASSEMBLY 14.76:1 W/LSD (INCLUDES ITEMS 2 - 8)	1

REAR SUSPENSION



REAR SUSPENSION

When ordering parts, please specify the model and serial number of the product.

* Indicates a component that is not available as an individual part.

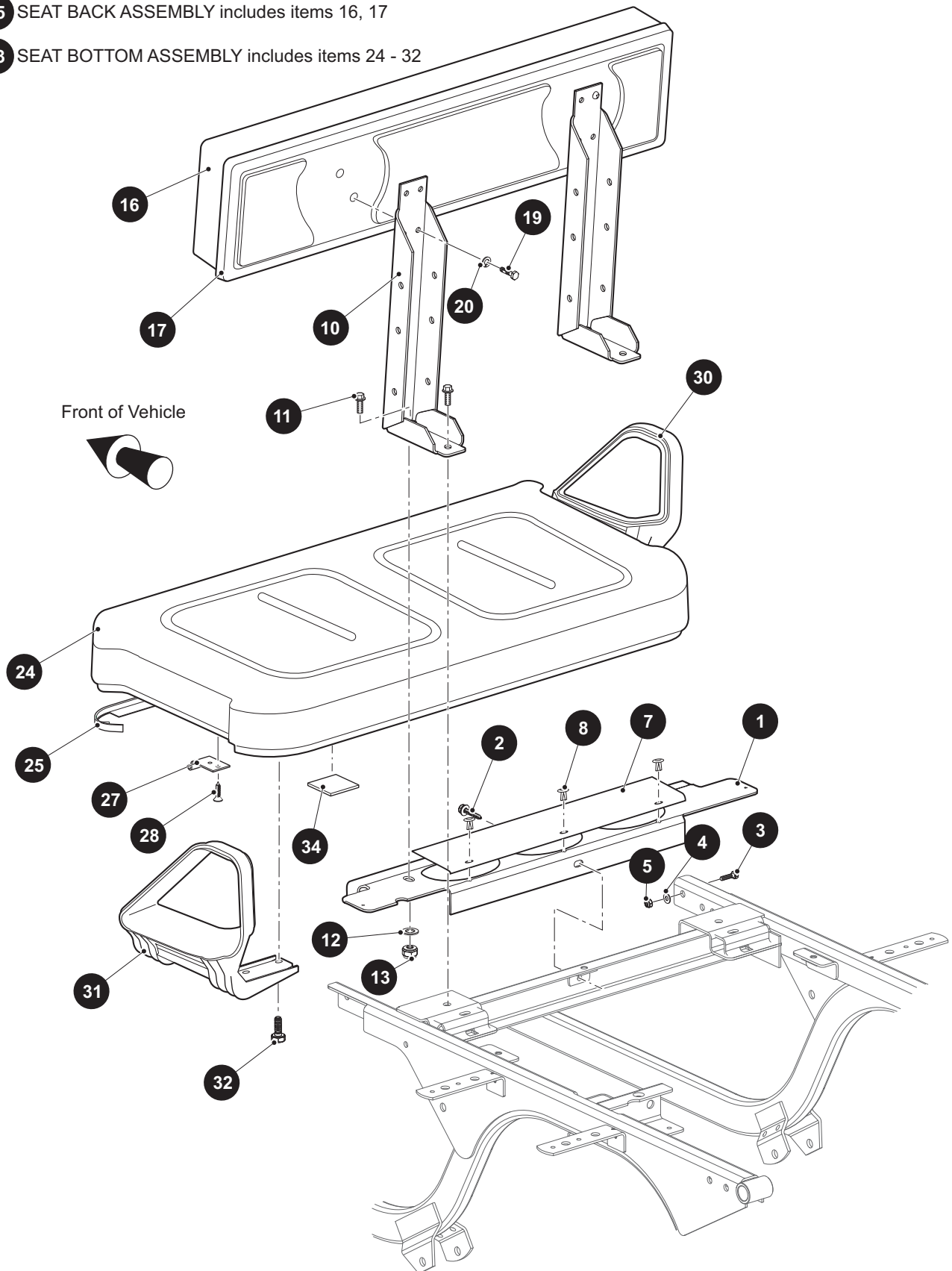
*** Indicates consult Customer Service Department for additional information.

ITEM	PART NO.	1 2 3 4 5	DESCRIPTION	QTY.
1	76418G1		SHOCK ABSORBER	2
2	10435G1		SHOCK ABSORBER WASHER	8
3	10194G1		RUBBER SHOCK ABSORBER BUSHING.....	8
4	00532G6		NUT, 3/8 - 24.....	4
5	10044G01		VINYL CAP	2
6	74207G3		HEAVY DUTY LEAF SPRING	2
7	620740		LIFT BRACKET.....	2
8	00560G1		FLAT WASHER, 3/8"	16
9	11098G5		LOCK NUT, 3/8 - 16.....	8
10	00430G12		HEX HEAD BOLT GRADE 5, 3/8 - 16 X 5 1/2" LG.....	8
11	70289G02		SPACER	4
12	70291G01		RUBBER BUSHING.....	12
13	70290G02		SHACKLE PLATE	4
14	00665G9		BOLT, 3/8 - 16 X 3 1/2" LG (STAINLESS STEEL)	4
15	11098G5		LOCK NUT, 3/8 - 16.....	4
16				
17	14158G1		SHOULDER BOLT, 3/8 - 16 X 3 1/4" LG.....	2
18	12262G1		LOCK NUT, 3/8 - 16.....	2
19				
20	70492G01		RUBBER BUMPER.....	2
21	608654		LOCK WASHER, M10	2
22	00974G01		NUT, M10 X 1.0.....	2
23	72360G02		MOUNTING PLATE, SHOCK DRIVER SIDE	1
24	72360G01		MOUNTING PLATE, SHOCK PASSENGER SIDE (NOT SHOWN).....	1

SEATING

15 SEAT BACK ASSEMBLY includes items 16, 17

23 SEAT BOTTOM ASSEMBLY includes items 24 - 32



SEATING

When ordering parts, please specify the model and serial number of the product.

* Indicates a component that is not available as an individual part.

*** Indicates consult Customer Service Department for additional information.

ITEM	PART NO.	1 2 3 4 5	DESCRIPTION	QTY.
1	74971G01		SEAT BACK SUPPORT.....	1
2	00715G2		BOLT, 5/16 - 18 X 13/16" LG.....	1
3	00438G8		BOLT, 5/16 - 18 X 3/4" LG.....	2
4	00642G8		WASHER, 5/16".....	2
5	11098G6		LOCK NUT, 5/16 - 18.....	2
6				
7	71263G01		ACCESS COVER.....	1
8	18436G1		DRIVE RIVET.....	3
9				
10	624486		SEAT BACK SUPPORT BRACKET.....	2
11	01006G01		BOLT, 3/8 - 16 X 1 1/4" LG.....	4
12	00643G1		WASHER, 3/8".....	2
13	11098G5		LOCK NUT, 3/8 - 16.....	2
14				
15	71274G**		SEAT BACK ASSEMBLY (INCLUDES ITEMS 16, 17).....	1
16	18144G**		VINYL SEAT BACK COVER.....	1
17	74889G01		PLASTIC SEAT BACK COVER (BLACK).....	1
18				
19	605056		SCREW, HEX HEAD 1/4 - 20 X 1" W/PTCHLOC.....	4
20	00664G7		LOCK WASHER, 1/4".....	4
21				
22				
23	71611G**		SEAT BOTTOM ASSEMBLY (INCLUDES ITEMS 24 - 32).....	1
24	71602G**		VINYL SEAT BOTTOM COVER.....	1
25	71012G01		VINYL TRIM (SEAT BOTTOM).....	1
26				
27	71610G01		SEAT HINGE.....	2
28	00720G08		SCREW, #12 - 14 X 1" LG.....	6
29				
30	71701G01		HIP RESTRAINT (PASSENGER SIDE).....	1
31	71702G01		HIP RESTRAINT (DRIVER SIDE).....	1

SEATING

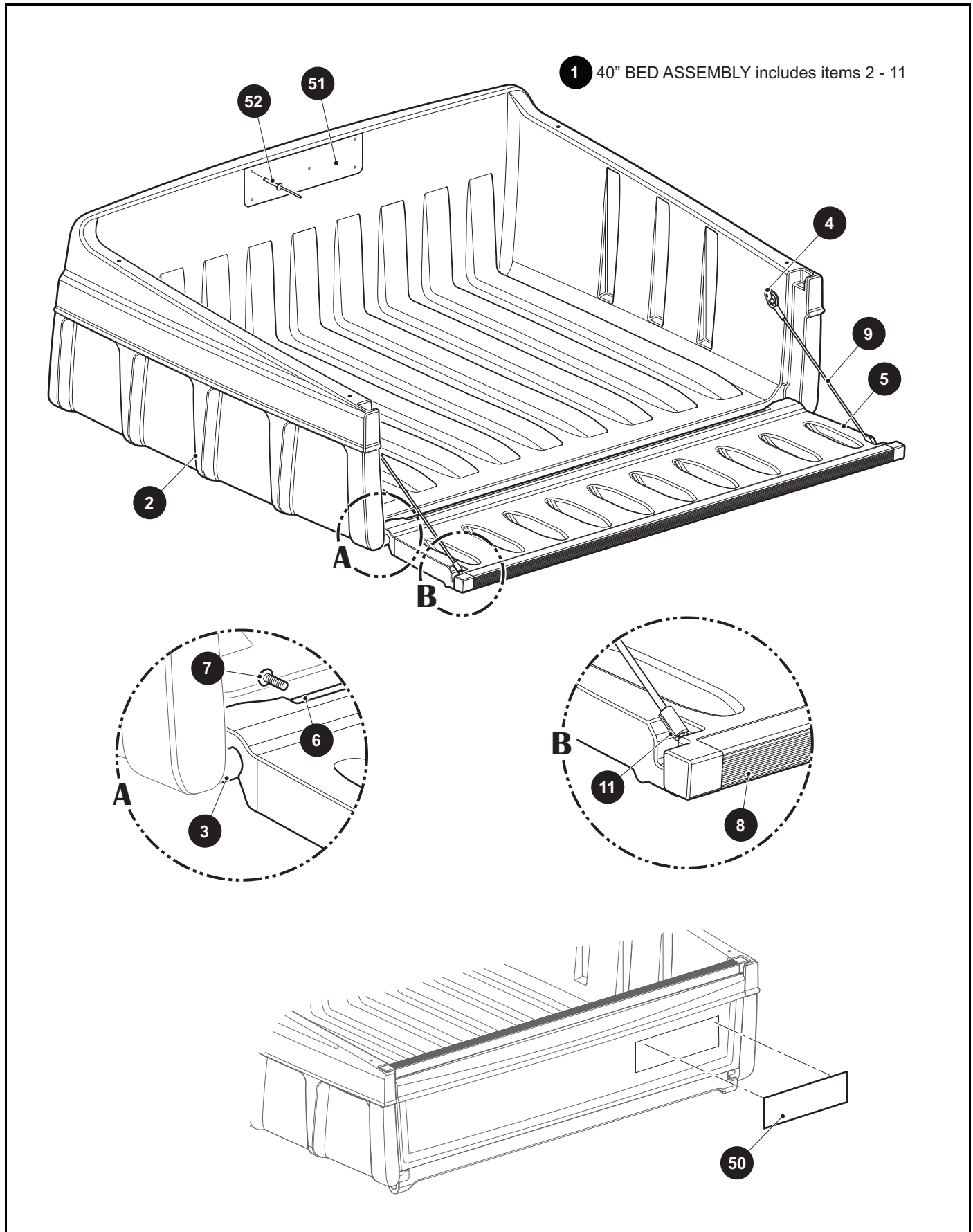
When ordering parts, please specify the model and serial number of the product.

* Indicates a component that is not available as an individual part.

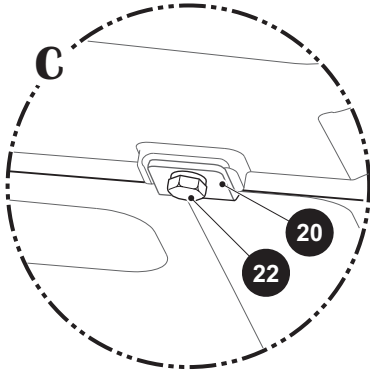
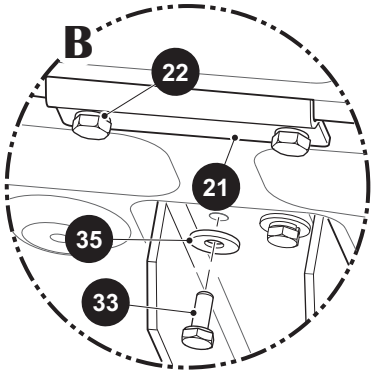
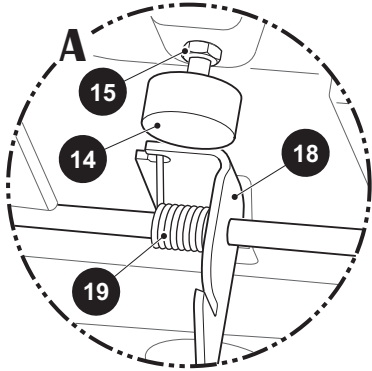
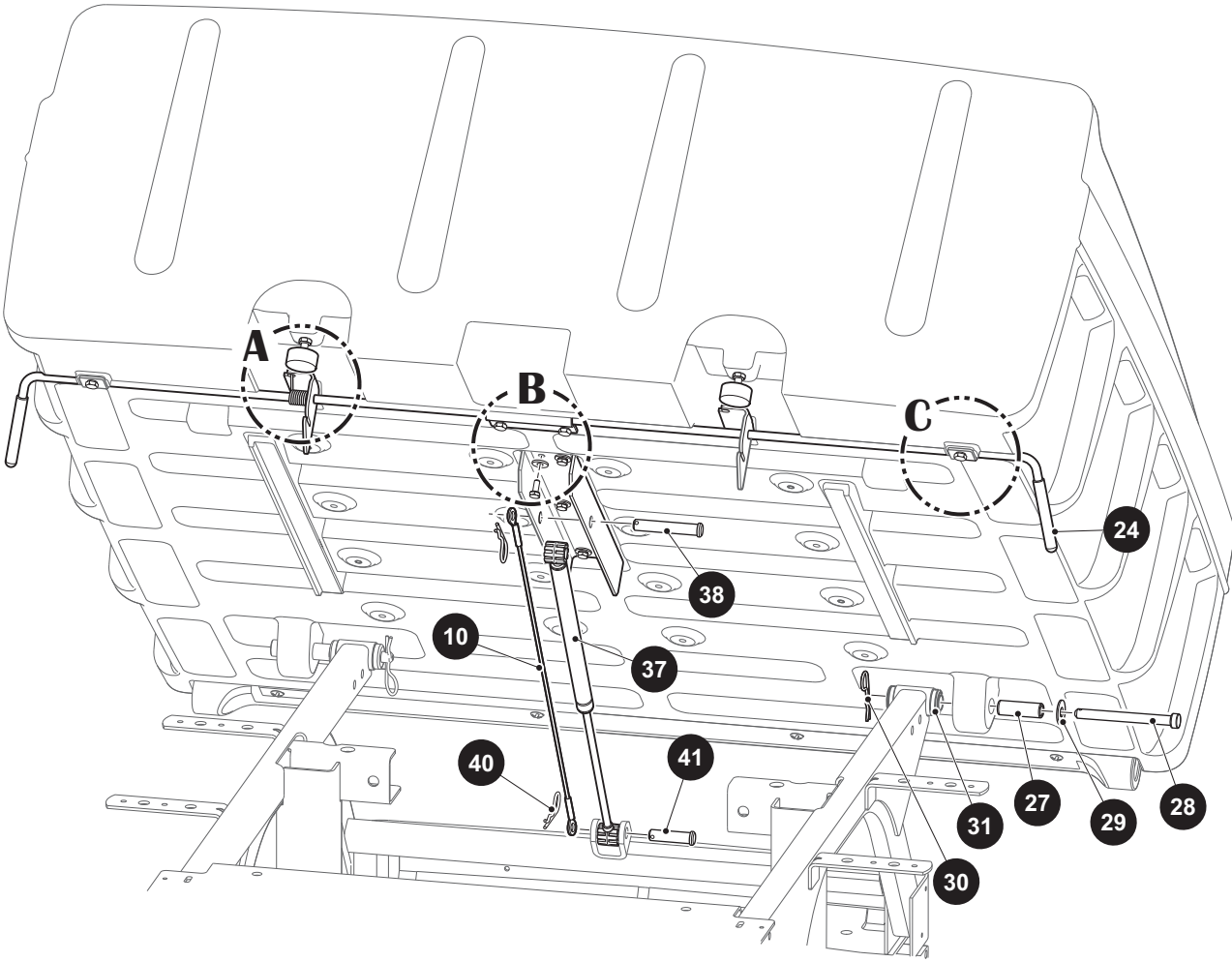
*** Indicates consult Customer Service Department for additional information.

ITEM	PART NO.	1	2	3	4	5	DESCRIPTION	QTY.
32	71204G01						BOLT, 1/4 - 20 X 7/8" LG.....	8
33								
34	17074G1						SOILING SLAB.....	2

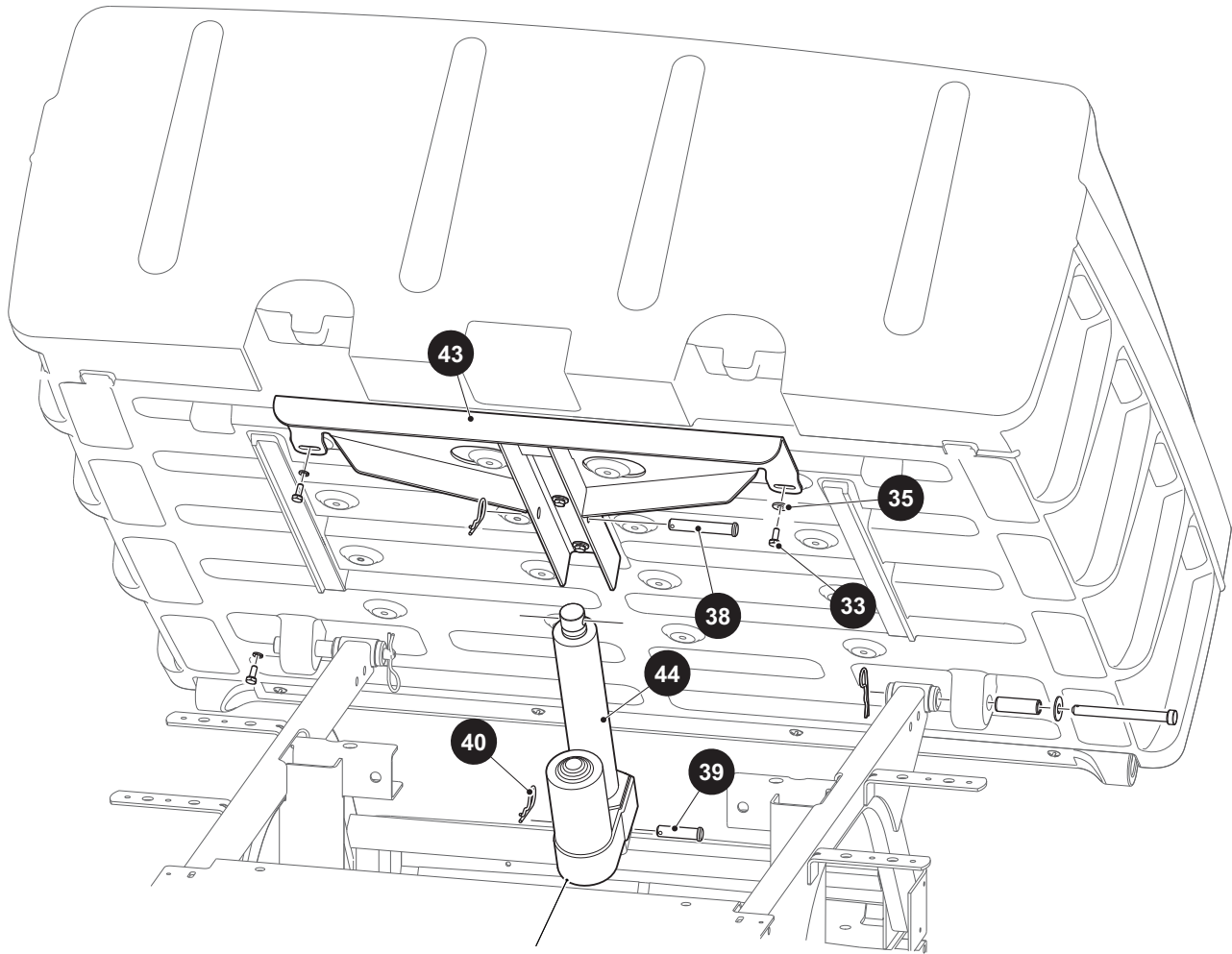
TRUCK BED - PLASTIC



TRUCK BED - PLASTIC



TRUCK BED - PLASTIC



Actuator may be rotated 90°
on some models

TRUCK BED - PLASTIC

When ordering parts, please specify the model and serial number of the product.

* Indicates a component that is not available as an individual part.

*** Indicates consult Customer Service Department for additional information.

ITEM	PART NO.	1 2 3 4 5	DESCRIPTION	QTY.
1	73451G01		BED ASSEMBLY, 40" (INCLUDES ITEMS 2 -11)	1
2	73447G01		PLASTIC BED, 40"	1
3	73454G01		PIVOT SHAFT	2
4	73460G01		SHOULDER BOLT, 1/4 - 20 X 3/4" LG	2
5	73448G01		TAILGATE.....	1
6	73450G01		BOWED ANGLE.....	1
7	16705G2		SCREW, 1/4 - 20 X 5/8" LG (STAINLESS STEEL)	4
8	73449G01		EXTRUSION CHANNEL	1
9	73455G01		TAILGATE CABLE	2
10	602904		BED TETHER CABLE ASSEMBLY	1
11	00415G2		SCREW, 1/4 - 20 X 5/8" LG (STAINLESS STEEL)	2
12				
13				
14	70113G01		ADJUSTABLE RUBBER BUMPER.....	2
15	11027G1		LOCK NUT, 5/16 - 18.....	2
16				
17				
18	74962G01		BED LATCH	1
19	71538G01		LATCH TORSION SPRING	1
20	71099G02		KEEPER PLATE	2
21	71477G02		RETAINER BRACKET	1
22	01118G01		SCREW, 1/4 - 20 X 5/8" LG	4
23				
24	71704G01		HANDLE GRIP.....	2
25				
26				
27	71570G01		BUSHING.....	2
28	71571G01		CLEVIS PIN	2
29	00571G5		WASHER, 1/2"	2
30	21683G1		COTTER PIN	2
31	70291G01		BUSHING.....	4

TRUCK BED - PLASTIC

When ordering parts, please specify the model and serial number of the product.

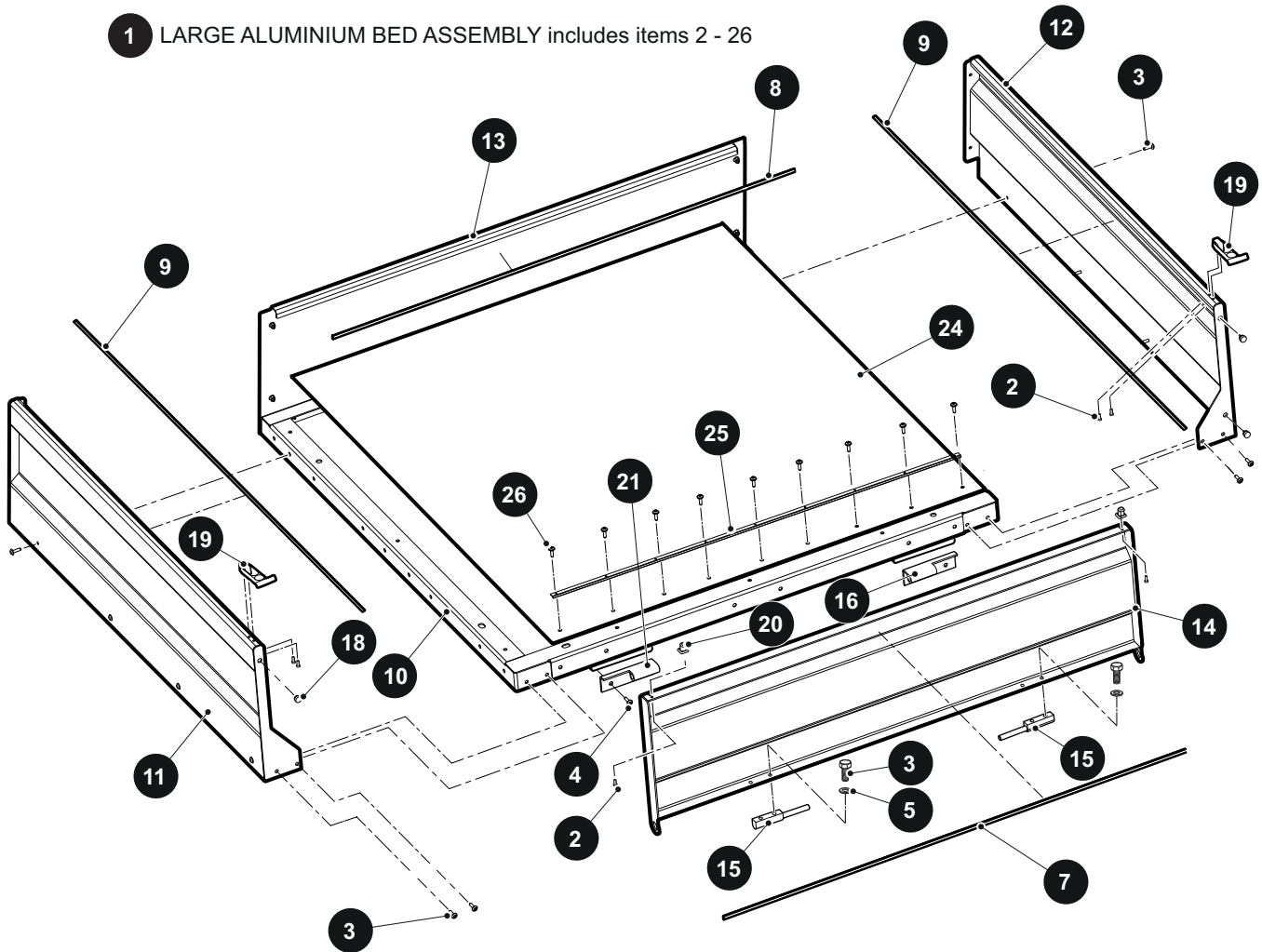
* Indicates a component that is not available as an individual part.

*** Indicates consult Customer Service Department for additional information.

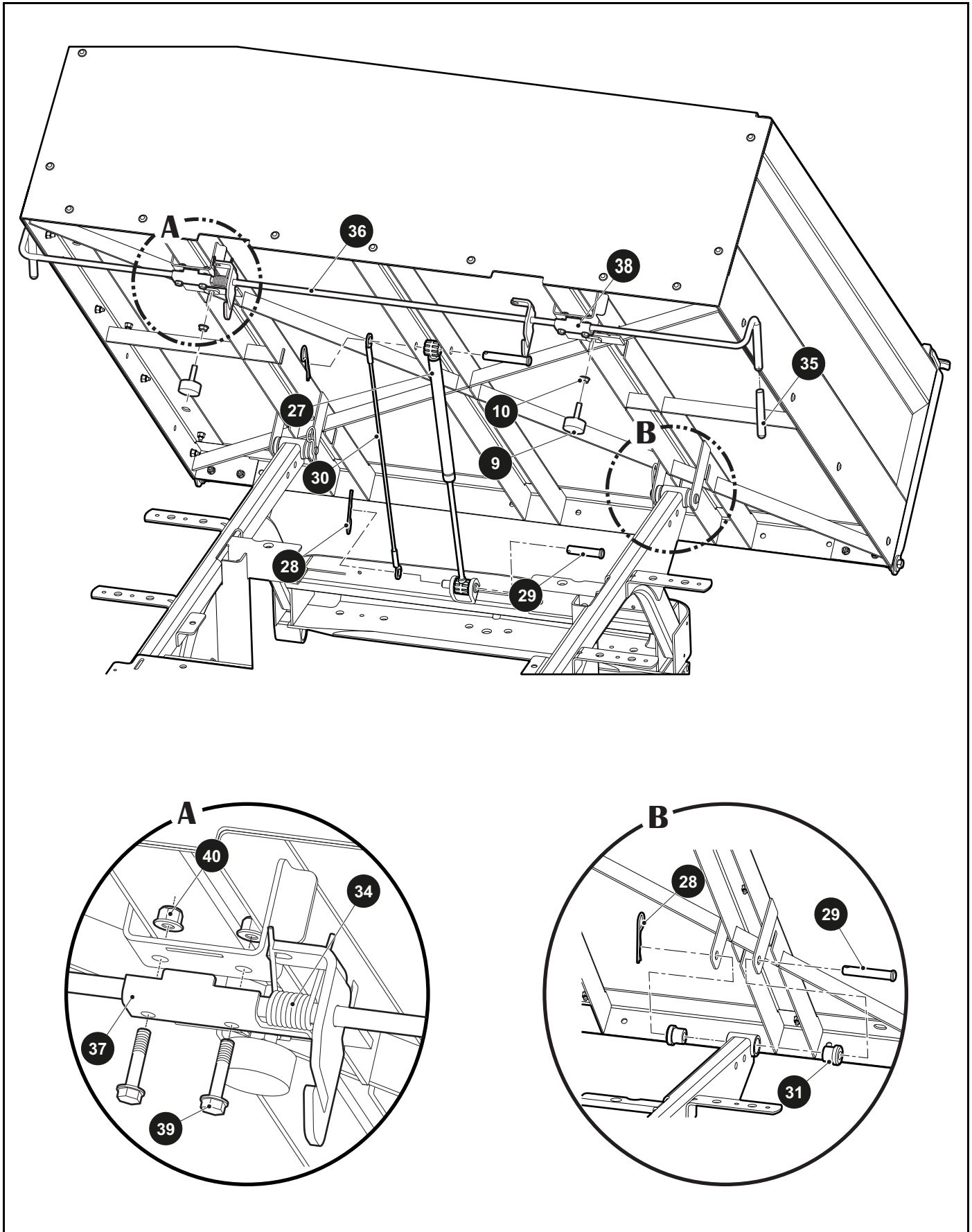
ITEM	PART NO.	1 2 3 4 5	DESCRIPTION	QTY.
32				
33	01118G01		SCREW, 1/4 - 20 X 5/8" LG.....	4
34				
35	00642G7		WASHER, 1/4"	8
36				
37	71537G02		GAS SPRING	2
38	14443G10		CLEVIS PIN, 1/2" X 2 27/32" LG.....	2
39	14443G11		CLEVIS PIN, 1/2" X 1 3/4" LG.....	1
40	21683G1		COTTER PIN,	2
41	14443G12		CLEVIS PIN, 1/2" X 2 11/50"	1
42				
43	71547G02		OUTRIGGER CHANNEL	1
44	27612G04		ELECTRIC ACTUATOR, 12 VOLT, 1500 LBS.....	1
45				
46				
47				
48				
49				
50	606109		SERIAL PLATE	1
51	74821G01		LOAD BED DECAL	1
52	71055G01		RIVET.....	5

TRUCK BED - METAL

1 LARGE ALUMINIUM BED ASSEMBLY includes items 2 - 26



TRUCK BED - METAL



TRUCK BED - METAL

When ordering parts, please specify the model and serial number of the product.

* Indicates a component that is not available as an individual part.

*** Indicates consult Customer Service Department for additional information.

ITEM	PART NO.	1 2 3 4 5	DESCRIPTION	QTY.
1	612612		LARGE ALUMINIUM BED ASSEMBLY (INCLUDES ITEMS 2 - 26).....	1
2	612957		SCREW, 10 - 24 X 1/2"	6
3	612958		HEX SCREW, .25 - 20 X 3/8.....	4
4	612959		TORX SCREW, 0.25 - 20 1/2"	28
5	612960		FLAT WASHER, .550 X .25	4
6				
7	612962		EDGE PROTECTOR	1
8	612963		EDGE PROTECTOR	1
9	612964		EDGE PROTECTOR	2
10	612966		BED BOTTOM WELDMENT.....	1
11	612967		SIDE PANEL WELDMENT (DRIVER SIDE)	1
12	612968		SIDE PANEL WELDMENT (PASSENGER SIDE)	1
13	612969		FRONT PANEL	1
14	612970		TAILGATE WELDMENT	1
15	612971		TAILGATE PIVOT PIN	2
16	612972		TAILGATE HINGE (DRIVER SIDE)	1
17				
18	612975		INSERT RUBBER, BUMPER	4
19	612976		LATCH ASSEMBLY	2
20	612977		LATCH KEEPER.....	2
21	612978		TAILGATE HINGE (PASSENGER SIDE).....	1
22				
23				
24	620641		RUBBER MAT.....	1
25	614440		RETAINER.....	1
26	614445		RIVET	9
27	71537G02		GAS SPRING	1
28	21683G1		COTTER PIN, 15/32" X 2 11/16" LG	4
29	14443G12		CLEVIS PIN, 1/2"	4
30	602904		CABLE ASSEMBLY	1
31	70291G01		FLANGED BUSHING URETHANE	4

TRUCK BED - METAL

When ordering parts, please specify the model and serial number of the product.

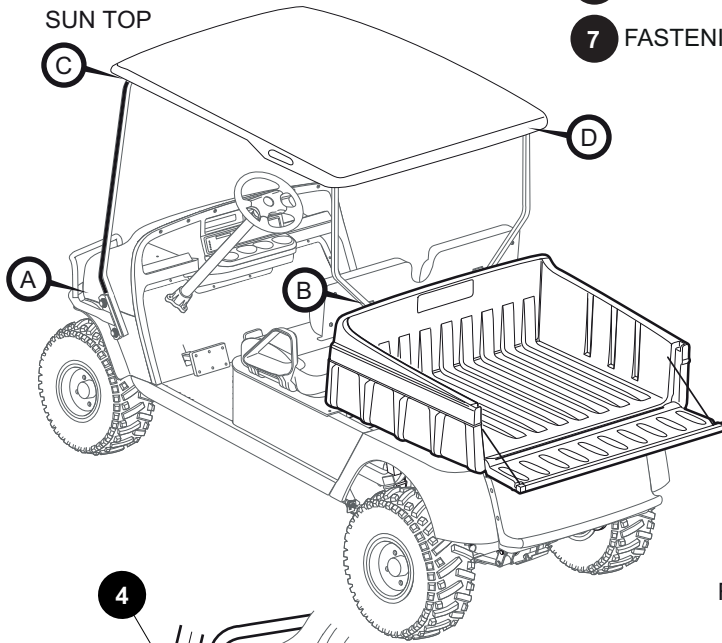
* Indicates a component that is not available as an individual part.

*** Indicates consult Customer Service Department for additional information.

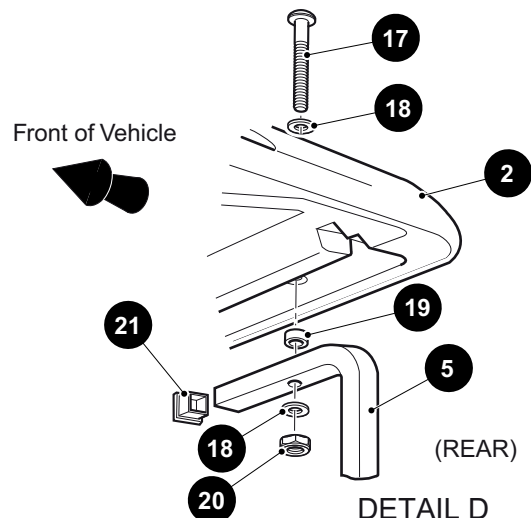
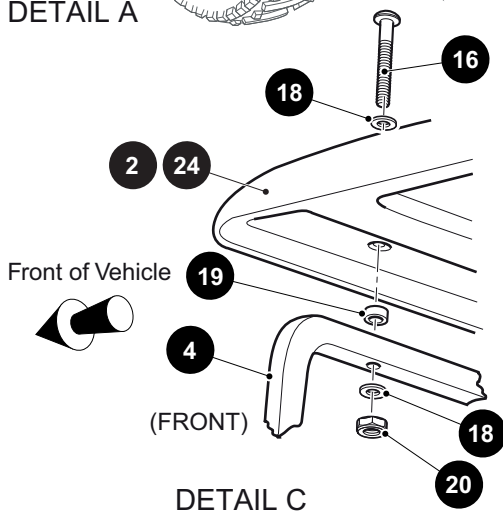
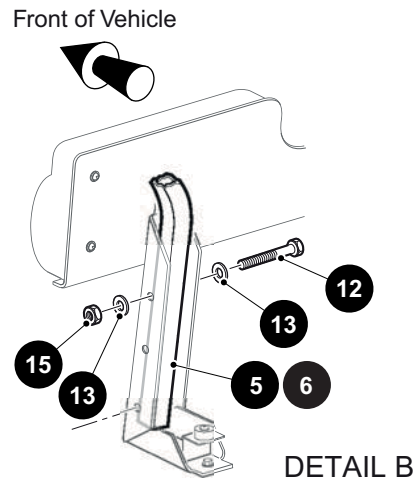
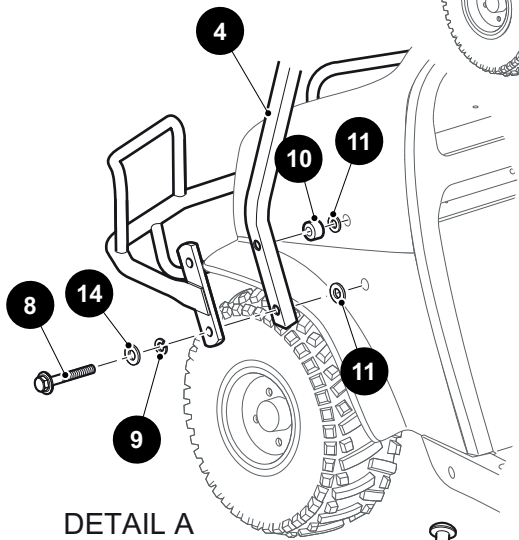
ITEM	PART NO.	1	2	3	4	5	DESCRIPTION	QTY.
32								
33								
34	71538G01						TORSION SPRING, BED LATCH	1
35	71704G01						HANDLE GRIP	2
36	607072						BED LATCH	1
37	614788						LATCH CLAMP RIGHT HAND.....	1
38	614789						LATCH CLAMP LEFT HAND	1
39	606421						BOLT M6 - 1 X 30	4
40	601476						LOCK NUT M6 - 1.....	4

WEATHER PROTECTION

SUN TOP CAP (CAMO)



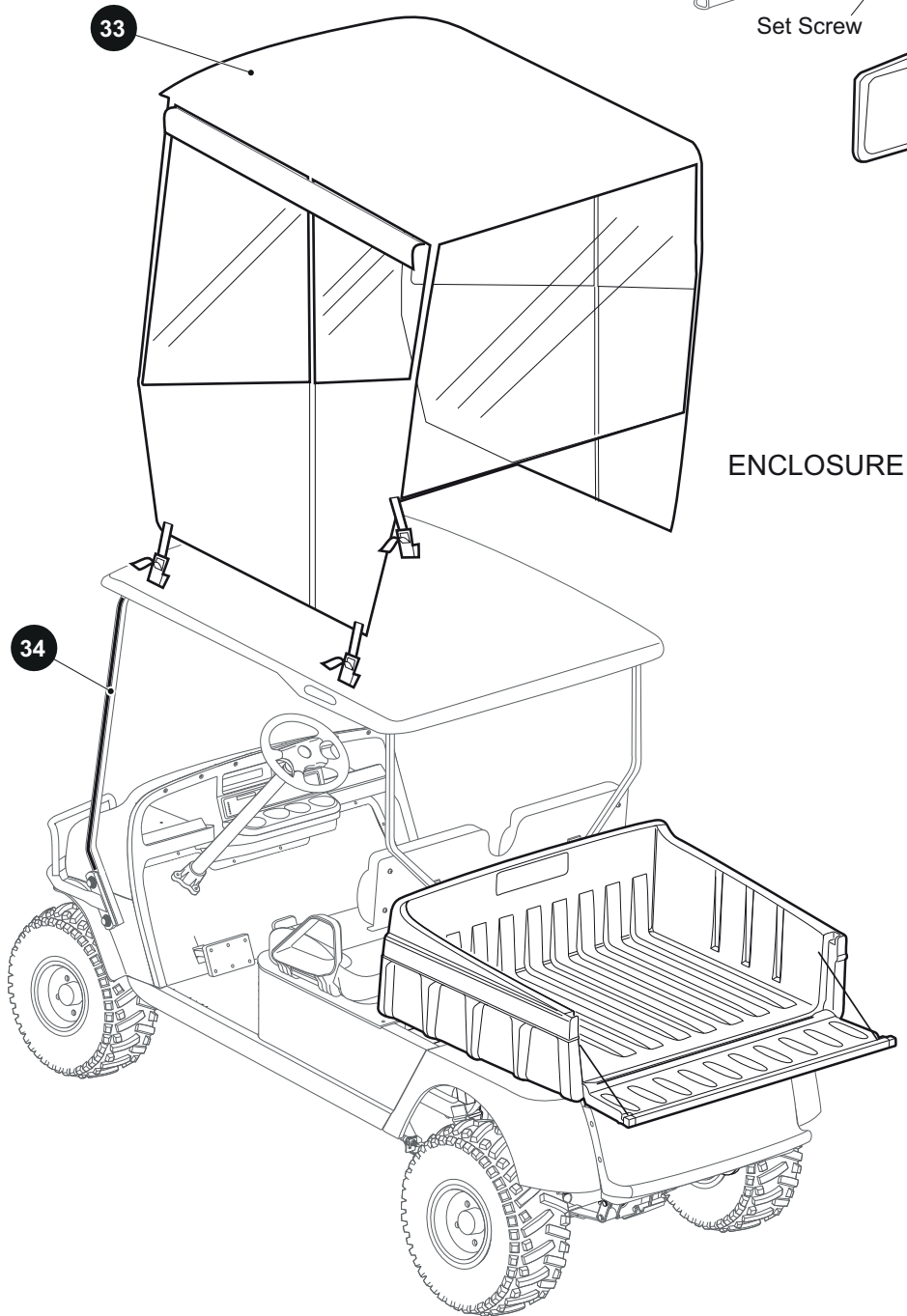
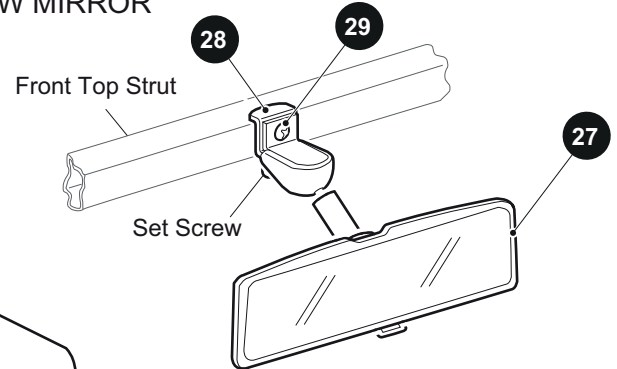
- 1 SUN TOP KIT includes items 2 - 21
- 3 HARDWARE KIT includes items 4 - 21
- 7 FASTENING HARDWARE KIT includes items 8 - 21



WEATHER PROTECTION

REAR VIEW MIRROR

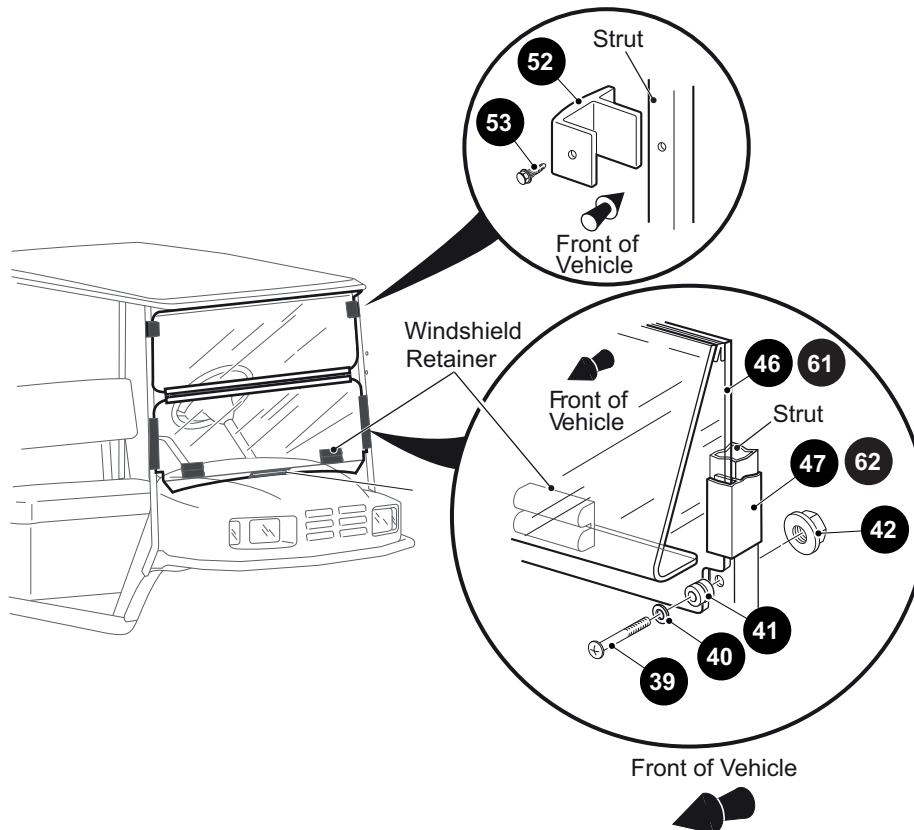
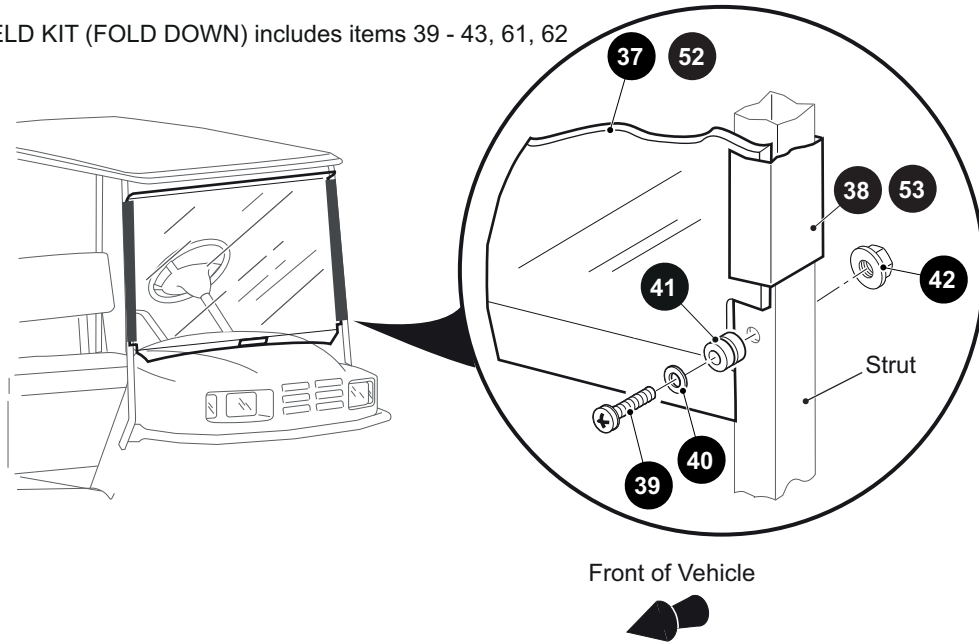
26 REAR VIEW MIRROR KIT includes items 27 - 29



32 3 SIDED SOFT ENCLOSURE KIT includes items 33 - 34

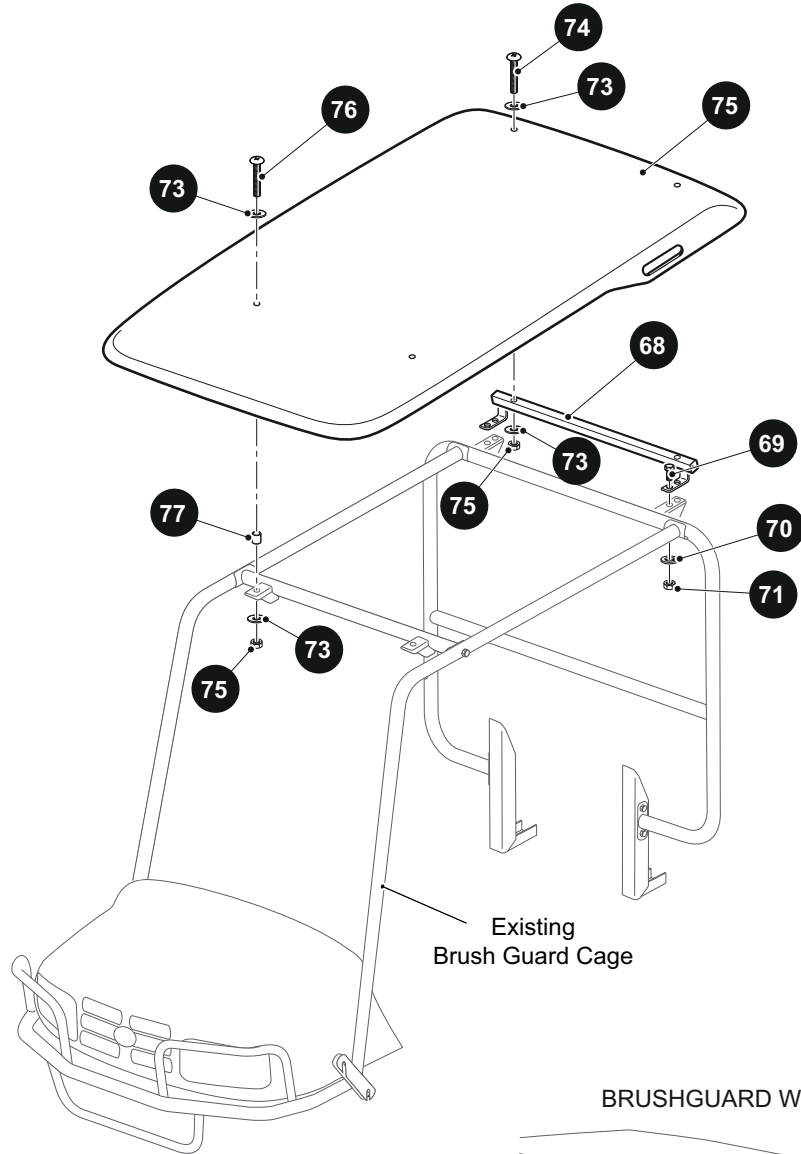
WEATHER PROTECTION

- 36 WINDSHIELD KIT (FULL) includes items 37 - 43
- 45 WINDSHIELD KIT (FOLD DOWN) includes items 39 - 43, 46, 47
- 51 WINDSHIELD KIT (FULL) includes items 39 - 43, 52, 53
- 60 WINDSHIELD KIT (FOLD DOWN) includes items 39 - 43, 61, 62

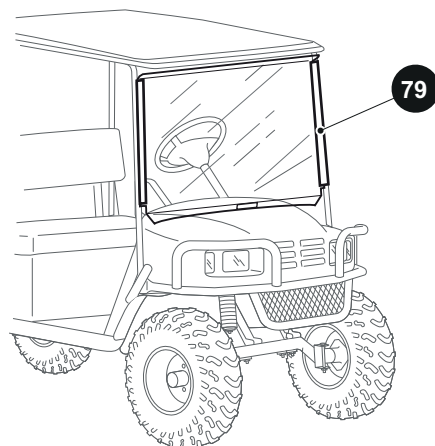


BRUSHGUARD SUN TOP

67 SUN TOP KIT (WITH BRUSHGUARD) includes items 68 - 77



BRUSHGUARD WINDSHIELD



WEATHER PROTECTION

When ordering parts, please specify the model and serial number of the product.

* Indicates a component that is not available as an individual part.

*** Indicates consult Customer Service Department for additional information.

ITEM	PART NO.	1 2 3 4 5	DESCRIPTION	QTY.
1	75040G**		SUN TOP KIT (INCLUDES ITEMS 2 - 21)	1
2	2706G0*		SUN TOP	1
3	75044G06		HARDWARE KIT (INCLUDES ITEMS 4 - 21).....	1
4	75045G05		FRONT STRUT	1
5	75838G03		REAR STRUT (DRIVER SIDE).....	1
6	7583G04		REAR STRUT (PASSENGER SIDE)	1
7	75465G01		FASTENING HARDWARE KIT (INCLUDES ITEMS 8 - 21).....	1
8	00440G2		HEX HEAD BOLT, 5/16 - 18 X 2 1/4" LG.....	4
9	00905G8		LOCK WASHER, 5/16"	4
10	75048G01		SPACER, 1/2".....	2
11	00570G2		FLAT WASHER, 5/16"	6
12	00685G7		HEX HEAD BOLT, 5/16 - 18 X 1 3/4" LG	4
13	01110G03		FLAT WASHER, 5/16"	8
14	00559G08		FLAT WASHER, 5/6"	4
15	11098G6		LOCK NUT (PLASTIC).....	4
16	00753G5		PHILLIP SCREW, 1/4 - 20 X 2" LG	2
17	00753G6		PHILLIP SCREW, 1/4 - 20 X 2 1/4" LG	2
18	01110G01		FLAT WASHER, 1/4"	8
19	75051G01		PLASTIC SPACER	4
20	00891G2		LOCK NUT, 1/4 - 20	4
21	19853G1		END CAP, 1".....	2
22				
23				
24				
25				
26	19528G2		REAR VIEW MIRROR KIT (INCLUDES ITEMS 27 - 29)	1
27	19496G1		REAR VIEW MIRROR	1
28	19502G2		SUPPORT BRACKET.....	1
29	19527G1		PAN HEAD SCREW, #8 - 32 X 5/8" LG	1
30				
31				

WEATHER PROTECTION

When ordering parts, please specify the model and serial number of the product.

* Indicates a component that is not available as an individual part.

*** Indicates consult Customer Service Department for additional information.

ITEM	PART NO.	1 2 3 4 5	DESCRIPTION	QTY.
32	75367G**		3 SIDED SOFT ENCLOSURE KIT (INCLUDES ITEMS 33 - 34).....	1
33	*		ENCLOSURE	1
34	*		VELCRO.....	AR
35				
36	71966G01		WINDSHIELD KIT (FULL) (REQUIRES SUN TOP KIT) (INCLUDES ITEMS 37- 43).....	1
37	71954G01		WINDSHIELD (FULL) (LEXAN)	1
38	615662		SASH, 26" LG.....	2
39	71956G03		SCREW, 1/4 - 20 X 1 3/4" LG (STAINLESS STEEL)	2
40	71956G04		WASHER, 1/4" (STAINLESS STEEL)	4
41	71956G06		RUBBER GROMMET.....	2
42	71956G05		LOCK NUT, 1/4 - 20 (STAINLESS STEEL)	2
43	71963G01		SAFETY LABEL (NOT SHOWN)	1
44				
45	71966G02		WINDSHIELD KIT (FOLD DOWN) (REQUIRES SUN TOP KIT) (INCLUDES ITEMS 39 - 43, 46, 47).....	1
46	623903		FLIP WINDSHIELD (LEXAN)	1
47	615661		SASH, 12" LG.....	2
48				
49				
50				
51	71966G03		WINDSHIELD KIT (FULL) (REQUIRES SUN TOP KIT) (INCLUDES ITEMS 39 - 43, 52, 53).....	1
52	71960G01		WINDSHIELD (FULL).....	1
53	615662		SASH, 26" LG.....	2
54				
55				
56				
57				
58				
59				

WEATHER PROTECTION

When ordering parts, please specify the model and serial number of the product.

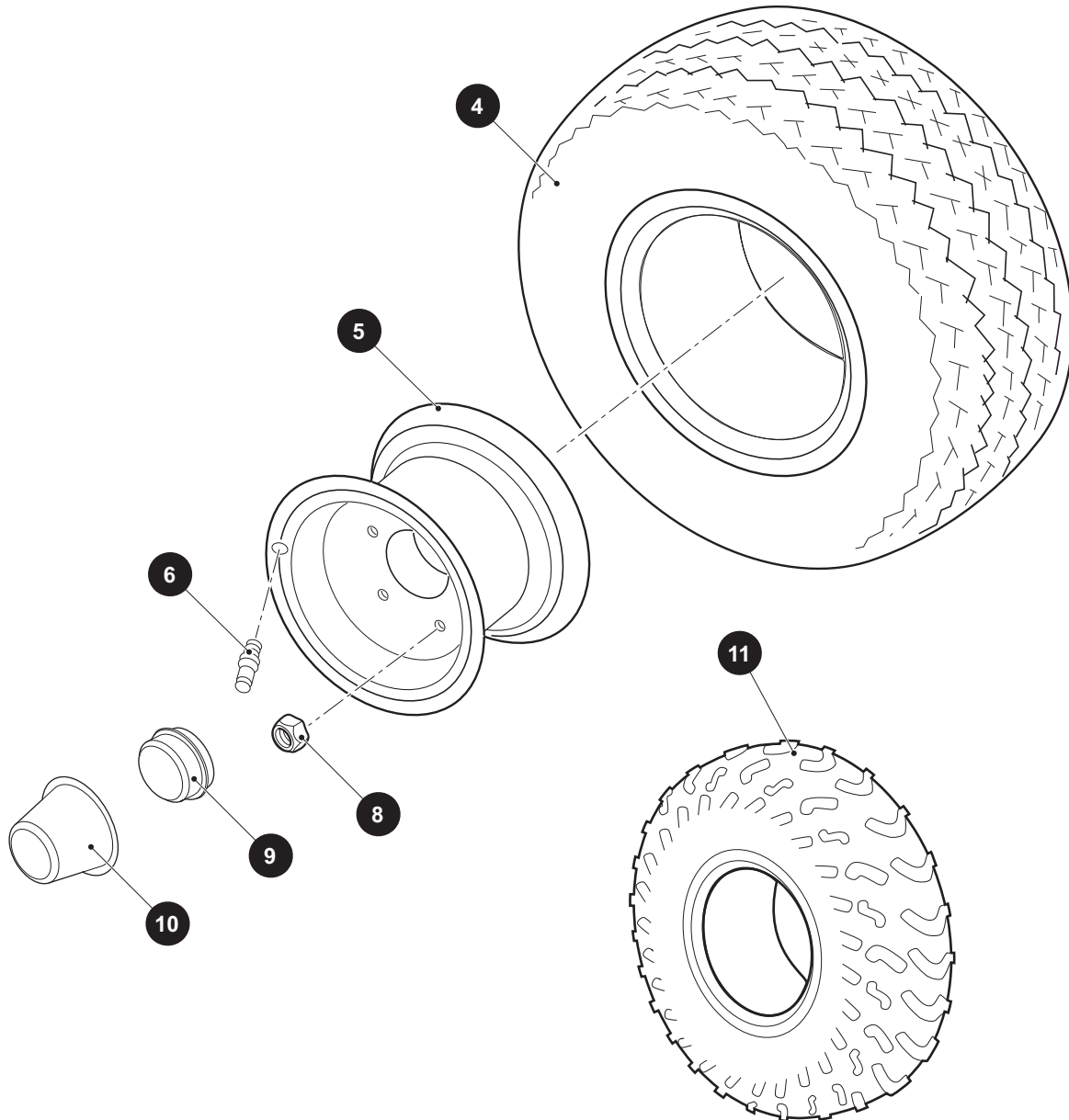
* Indicates a component that is not available as an individual part.

*** Indicates consult Customer Service Department for additional information.

ITEM	PART NO.	1	2	3	4	5	DESCRIPTION	QTY.
60	71966G04						WINDSHIELD KIT (FOLD DOWN) (REQUIRES SUN TOP KIT) (INCLUDES ITEMS 39 - 43, 61, 62)	1
61	617544						SPORT WINDSHIELD	1
62	615661						SASH, 12" LG	2
63								
64								
65								
66								
67	74496G**						SUN TOP KIT (WITH BRUSHGUARD) (INCLUDES ITEMS 68 - 77)	1
68	74466G03						MOUNTING BRACKET	1
69	00270G5						HEX HEAD BOLT, 5/16 - 18 X 5/8" LG	4
70	00565G8						LOCK WASHER, 5/16"	4
71	00532G3						HEX NUT, 5/16 - 18	4
72	74497G**						SUN TOP	1
73	00559G7						FLAT WASHER, 1/4"	8
74	00753G6						MACHINE TRUSS HEAD PHILIP SCREW, 1/4 - 20 X 2 1/4" LG	2
75	00891G2						LOCK NUT, 1/4 - 20 (STAINLESS STEEL).....	4
76	00753G7						MACHINE TRUSS HEAD PHILIP SCREW, 1/4 - 20 X 2 1/2" LG	2
77	74469G01						SPACER	2
78								
79	74542G01						WINDSHIELD KIT (WITH BRUSHGUARD) (REPLACEMENT PARTS AVAIL- ABLE FROM EAGLE PART, 706-790-6687).....	1

WHEELS AND TIRES

- 1 TIRE & WHEEL ASSEMBLY includes items 4 - 6
- 2 TIRE & WHEEL ASSEMBLY includes items 4 - 6
(Style of tire may differ from tire shown)



WHEELS AND TIRES

When ordering parts, please specify the model and serial number of the product.

* Indicates a component that is not available as an individual part.

*** Indicates consult Customer Service Department for additional information.

ITEM	PART NO.	1 2 3 4 5	DESCRIPTION	QTY.
1	28630G04		TIRE & WHEEL ASSEMBLY (DRIVER SIDE) (INCLUDES ITEMS 4 - 6)	1
2	28630G05		TIRE & WHEEL ASSEMBLY (PASSENGER SIDE) (INCLUDES ITEMS 4 - 6)	1
3				
4	28630G01		TIRE, 22 X 9 - 10	1
5	15172G02		WHEEL RIM (4 LUG)	1
6	11657G1		VALVE STEM	1
7				
8	14723G1		LUG NUT, 1/2-20	A/R
9	12091G2		SPINDLE CAP	1
10	74175G1		DUST CAP	1
11	605624		TIRE, 20 X 10 - 10 TURF SAVER (OPTIONAL)	1



Bad Boy Buggies
1451 Marvin Griffin Rd.
Augusta, GA 30906
PHONE: 800.448.7476
E-mail: info@badboybuggies.com

Copyrighted Material
This manual may not be reproduced in whole or
in part without the express permission of BB Buggies Inc.