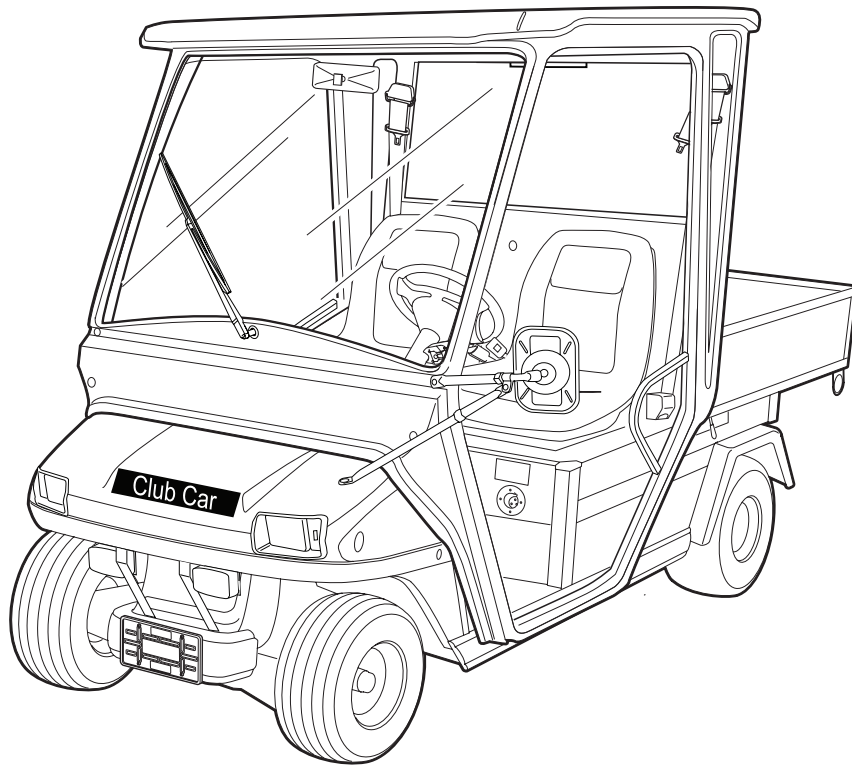




**2009
Carryall 2 LSV and
Carryall 6 LSV
Illustrated Parts List**



Electric Vehicles

Manual Number 103472612
Edition Code 0708G0209F

USING THE ILLUSTRATED PARTS LIST

⚠ WARNING

- **This manual is to be used only for identification and ordering of service parts. Be sure to read and use the maintenance and service manual before attempting any vehicle repairs.**

This manual covers all 2009 Carryall 2 LSV and Carryall 6 LSV vehicles.

The manual is divided into sections. Note that there are two or three flags on the outside edge of each page. The first flag contains the section number of which that page is a part. The other flag (or flags) contains the letter D, E, or G, signifying that the page pertains to diesel, electric, or gasoline vehicles only.

Use the Table of Contents to find the sections and pages that contain the parts and assemblies you seek. The Table of Contents lists section numbers, and under them, the individual page titles and numbers to be found in that section. The index can be used to find specific parts and assemblies.

There is a two-page spread for each individual page title in the Table of Contents. On the left-hand page is an illustration showing the parts in their relative positions; the parts are each tagged with an item number in a balloon. The right-hand page is the parts list page, and gives the page title at the top, then the item numbers (corresponding to the numbers on the illustration), part descriptions, and quantity of parts used.

Note that a part description may be indented. This indentation corresponds to a parts assembly level indicated by the numbers 1, 2, 3, and 4 at the top left corner of the parts description area of the parts list page. A part that is indented to *level 2* is a component of the *level 1* part (assembly) that it is listed under. A *level 3* part is a component of the *level 2* part that it is listed under, and a *level 4* part is a component of the *level 3* part preceding it. In each case, the part quantity given for a level 2, 3, or 4 part is the quantity used per next higher level assembly of which it is a component. A part that is not indented is a *level 1* part. This means that the quantity given is the quantity used per the portion of the vehicle illustrated on that particular spread.

HOW TO ORDER PARTS

Replacement parts and accessories can be obtained from our network of authorized dealers and distributors. You can obtain the name and phone number of your closest authorized Club Car dealer or distributor by visiting our web site at www.clubcar.com and clicking on the "Distributor Search" link or by calling our toll-free Service Parts and Technical Assistance hotline at (800) 872-2246 or (706) 863-3000, extension 3887.



**P. O. Box 204658
Augusta, Georgia 30917-4658 USA
Telephone 706-863-3000
Service Parts Fax 706-855-7413
www.clubcar.com**

NOTE: *This illustrated parts list represents the most current information at the time of publication. Club Car, Inc. is continually working to further improve its vehicles and other products. These improvements may affect the parts used to service the vehicle. Any modification and/or significant change in specifications will be forwarded to all Club Car and Carryall distributors/dealers and will, when applicable, appear in future editions of this illustrated parts list.*

Club Car, Inc. reserves the right to change specifications and designs at any time without notice and without the obligation of making changes to units previously sold.

Copyright © 2008 Club Car, Inc.
Club Car and *ArmorFlex*
are registered trademarks of Club Car, Inc.
This manual effective June 27, 2008.

2009 Carryall 2 LSV and Carryall 6 LSV Illustrated Parts List

CONTENTS

SECTION 1 – BODY AND TRIM

Dash Pockets and Floormat	1-3
Beverage Holder	1-5
Tilt Bed, Hinge, and Latch – CA 2	1-7
Latch Plate – CA 2	1-9
Prop Rod – CA 2	1-11
Front Body and Trim	1-13
License Plate – Front	1-15
License Plate and Lamp – Rear	1-17
Cab	1-19
Seats	1-21
Flat Bed – CA 6	1-23
Cargo Box (Aluminum) – CA 2	1-25
Cargo Box Mounting – CA 2	1-27
Cargo Box (Steel) – CA 2	1-29
Flat Bed Mounting – CA 6	1-31
Trailer Hitch	1-33
Rear Body Trim	1-35

SECTION 2 – WHEELS AND TIRES

Wheels and Tires	2-3
------------------------	-----

SECTION 3 – DECALS

Slow Moving vehicle Sign	3-3
Safety Decals – CA 2	3-5
Safety Decals – CA 2, Continued	3-7
Safety Decals – CA 6	3-9
Safety Decals – CA 6, Continued	3-11
Badging Decals – CA 2	3-13
Badging Decals – CA 6	3-15

SECTION 4 – BRAKES, PEDALS AND CABLE ASSEMBLIES

Rear Brake Assembly	4-3
Accelerator Pedal Assembly	4-5
Front Disc Brakes, Master Cylinder, and Bell Crank – CA 2	4-7
Front Disc Brakes, Master Cylinder, and Bell Crank – CA 6	4-9
Hand Brake Assembly – CA 2	4-11
Hand Brake Assembly – CA 6	4-13

CONTENTS

Brake Pedal Assembly	4-15
----------------------------	------

SECTION 5 – STEERING, FRONT AND REAR SUSPENSION

Steering Wheel with Score Card Holder	5-3
Steering Wheel without Score Card Holder	5-5
Steering Gear Assembly	5-7
Front Suspension, Upper	5-9
Steering Column	5-11
Front Suspension, Lower	5-13
Rear Suspension	5-15
Spindles and Hubs	5-17

SECTION 6 – ELECTRICAL SYSTEM

Headlight and Horn Electrical Components	6-3
Motor Controller Output Regulator (MCOR)	6-5
Battery Charger Receptacle	6-7
Turn Signals	6-9
Brake Pedal Switch	6-11
Tail Lights	6-13
Instrument Panel and Electrical Components – CA 2	6-15
Instrument Panel and Electrical Components – CA 6	6-17
Speedometer	6-19
Tow/Run Switch	6-21
Wiring – Ca 2	6-25
Wiring – Ca 6	6-29
Headlights	6-31
Elec Components – CA 2	6-33
Elec Components – CA 6	6-35
DC Converter and Fuse Block – CA 2	6-37
T145 Batteries – CA 2	6-39
T105 Batteries – CA 2	6-41
T145 Batteries – CA 6	6-43
T105 Batteries – CA 6	6-45
Hour Meter	6-47

SECTION 7 – ELECTRIC MOTOR – AC

AC Motor	7-3
----------------	-----

CONTENTS

SECTION 8 – ELEC TRANSAXLE

Transaxle – Electric Vehicles	8-3
-------------------------------------	-----

SECTION 9 – BATTERY CHARGER

IQ Plus Domestic Battery Charger (Model 25730)	9-3
IQ Plus Onboard Battery Charger (Model 25260)	9-5
IQ Plus Battery Charger (Model 25880), Export and European	9-7
IQ Plus Onboard Battery Charger (Model 25660), Export	9-9
Battery Charger and Reel Mounting – CA 2	9-11
Battery Charger and Reel Mounting – CA 6	9-13

SECTION 10 – MAINTENANCE AND SERVICE TOOLS

Maintenance and Service Tools	10-3
Maintenance and Service Tools, Continued	10-5
Maintenance and Service Tools, Continued	10-7
Maintenance and Service Tools, Continued	10-9
Maintenance and Service Tools, Continued	10-11

SECTION i – INDEX

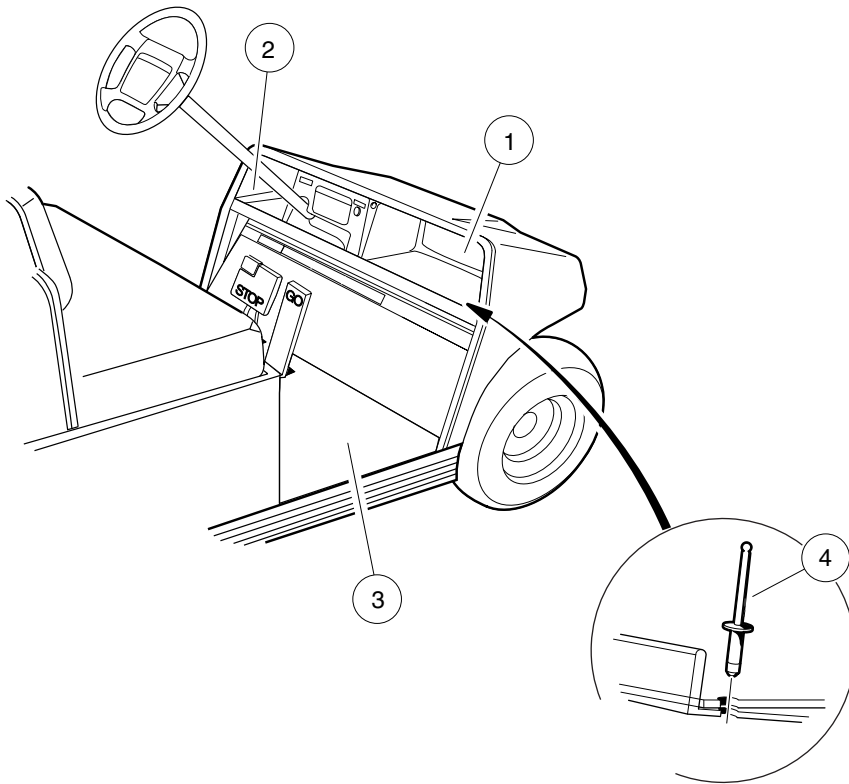
BODY AND TRIM

1

E

1

E



000252-002

DASH POCKETS AND FLOORMAT

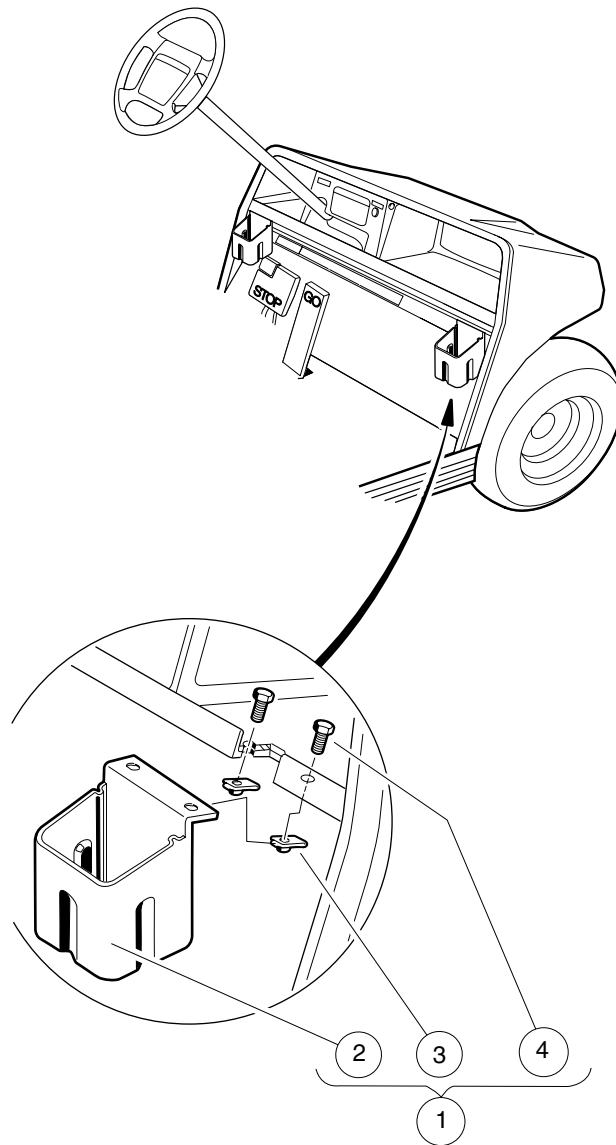
ITEM	PART NO.	DESCRIPTION	QTY
		1 2 3 4	
1	1013343	Dash Component, Passenger-Side, Black	1
2	1013344	Dash Component, Driver-Side	1
3	101503202	Floormat	1
4	7973	Rivet, 3/16 X .400 Blind	5

1

E

1

E



000253-001

BEVERAGE HOLDER

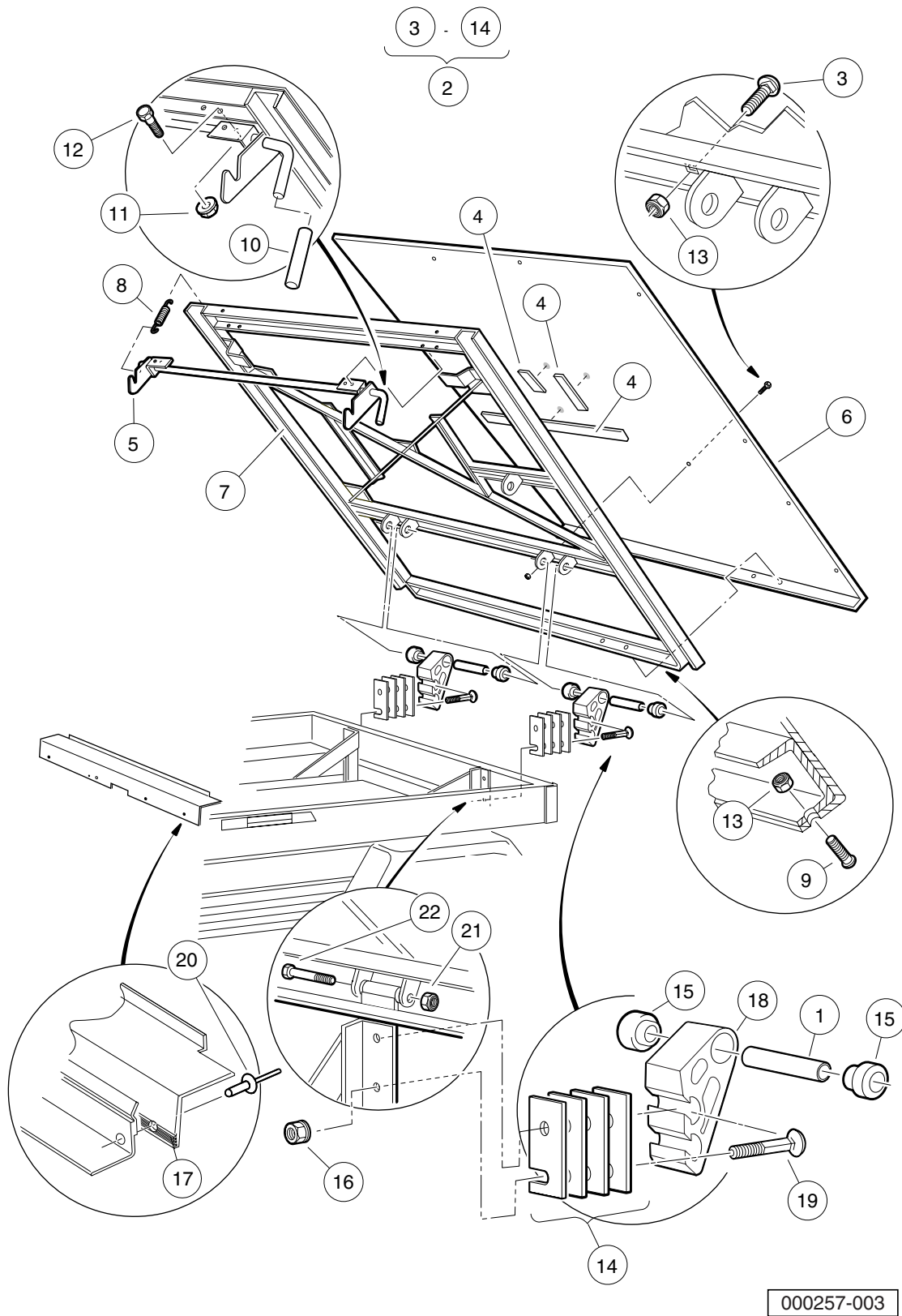
ITEM	PART NO.	DESCRIPTION	QTY
		1 2 3 4	
1	1013422	Cup Holder Kit (includes items 2 through 4)	2
2	N/A	Holder, Single Cup	1
3	1016952	U-Nut, 1/4-20	2
4	7847	Screw, 1/4-20 X 0.75 Hex-Head Cap	2

1

E

1

E



TILT BED, HINGE, AND LATCH – CA 2

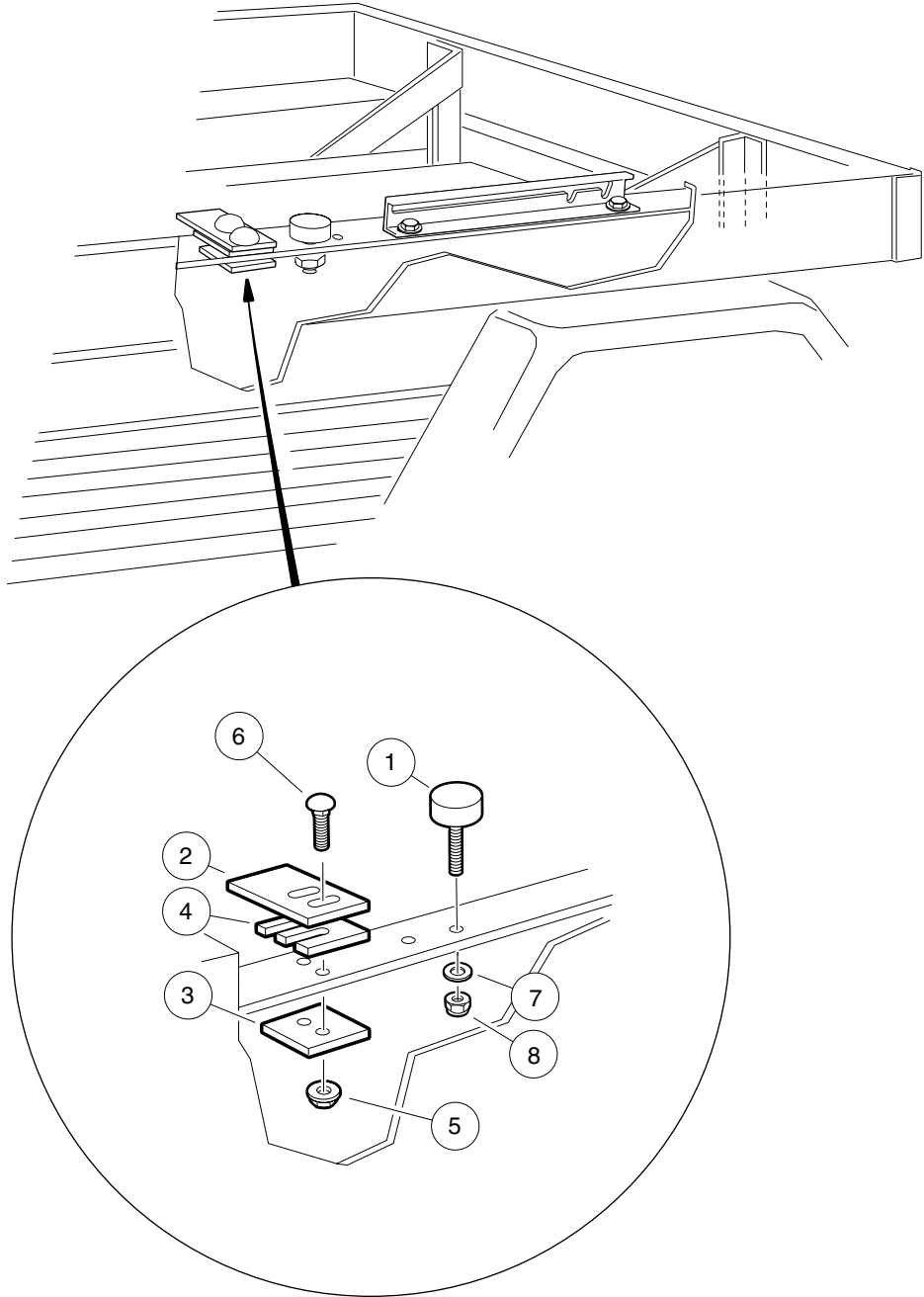
ITEM	PART NO.	DESCRIPTION	QTY
		1 2 3 4	
1	1012303	Bushing, Steel	2
2	101542901	Assembly, Tilt Bed (includes items 3 through 13)	1
3	1010435	Bolt, Carriage, 5/16-18 X 1.00	4
4	1014471	Tape, Vinyl Foam 1/8" x 3/4" *	A/R
5	1015252	Latch Weld Assembly	1
6	N/A	Plate, Floor Bed	1
7	N/A	Frame Assembly	1
8	1015391	Extension, Spring Latch	2
9	1015399	Screw, 5/16-18 X 0.88 Torx Truss-Head	4
10	1015400	Grip, Tilt Latch Hand	1
11	101835601	Locknut, 1/4-20 Hex Whiz	4
12	403	Screw, 1/4-20 X 0.625 Hex-Head Cap	4
13	7473	Locknut, 5/16-18 Nylon Insert	8
14	1015507	Shim, Tilt Bed Pivot	A/R
15	1015583	Bushing, Urethane	4
16	102065901	Locknut, 3/8-16 Flanged Dimple	4
17	102989501	Seal, Bed, 41-Inch	1
18	103538701	Extr, Brkt, Hinge, Bed	2
19	103538901	3/8-16 X 3.5 Carr Blt Gr5 Zn	4
20	7532	Rivet, 3/16 X 0.3125, Pop	1
21	8754	Locknut, 3/8-16 Hex	2
22	8755	Screw, 3/8-16 X 3.375 Hex Cap	2
		* Note: Item not shown.	

1

E

1

E



000258-002

LATCH PLATE – CA 2

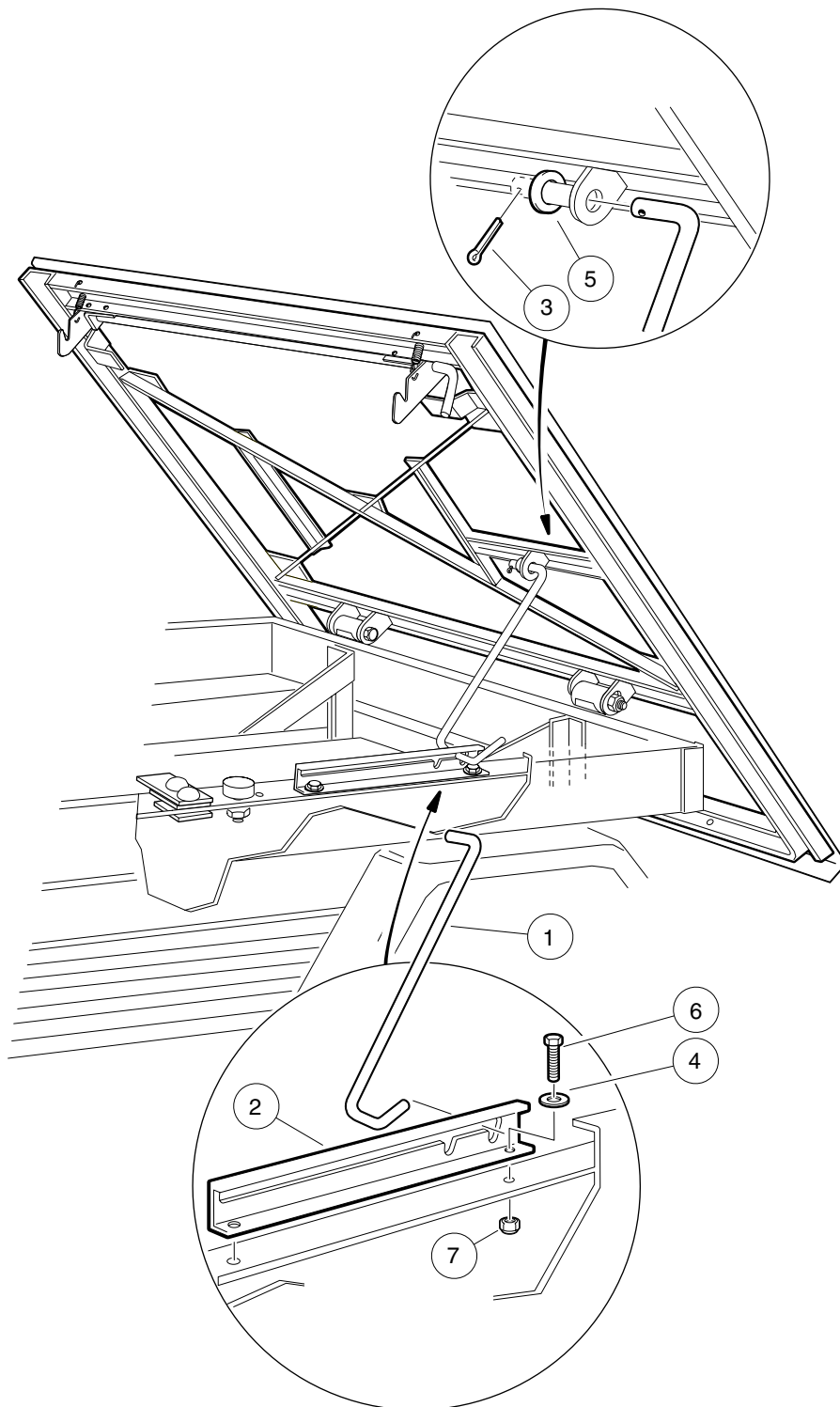
ITEM	PART NO.	DESCRIPTION	QTY
		1 2 3 4	
1	1010878	Bumper, Rubber	2
2	1015277	Latch Plate, Tilt Bed	2
3	1016060	Plate, Latch Support	2
4	1016078	Latch Plate Shim	A/R
5	101835601	Locknut, 1/4-20 Hex Whiz	4
6	101958601	Carriage Bolt, 1/4-20 X 0.75	4
7	332	Washer, 1/4 Type A Narrow Flat	4
8	8233	Locknut, 1/4-20 Nylon Insert	4

1

E

1

E



000259-002

PROP ROD – CA 2

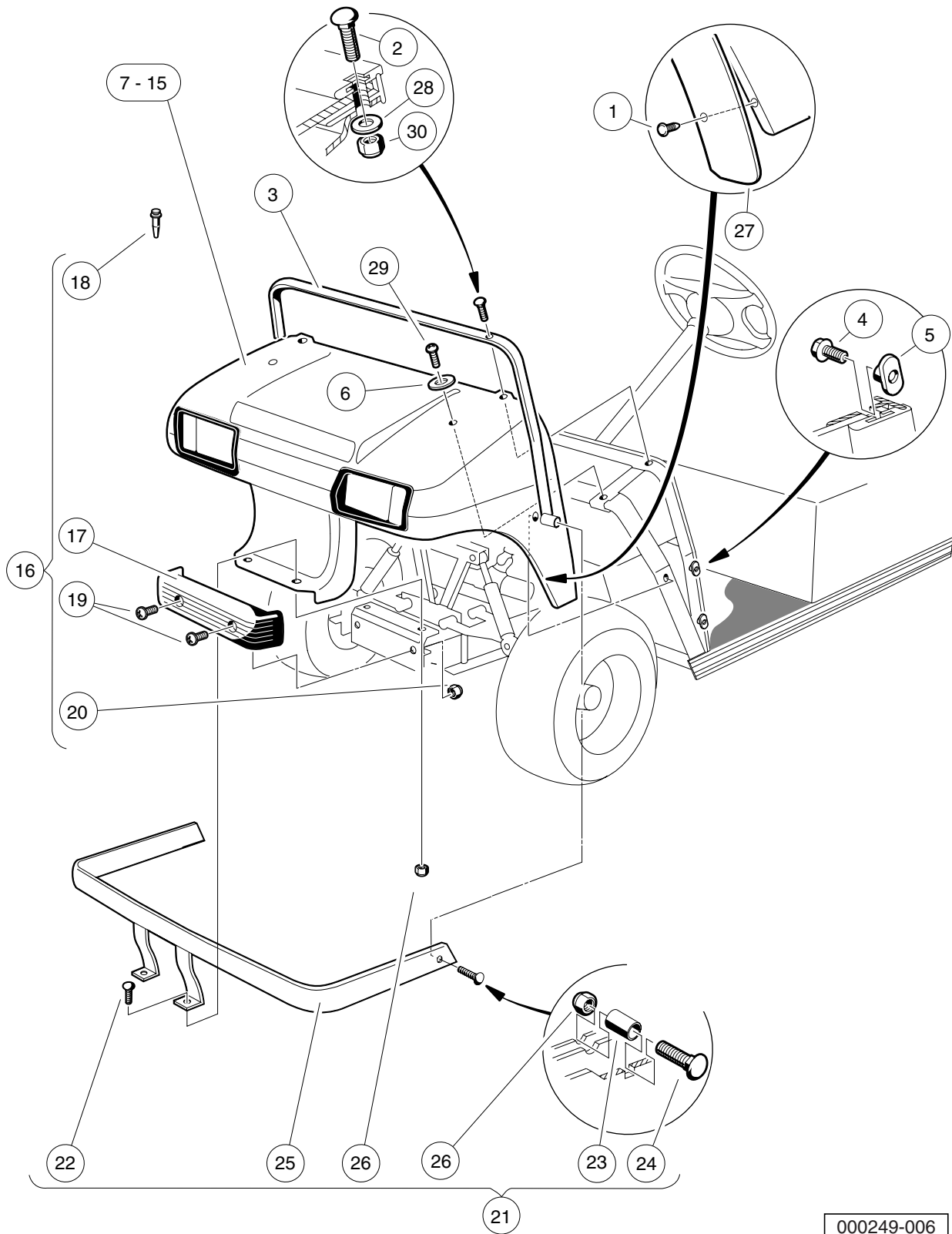
ITEM	PART NO.	DESCRIPTION	QTY
		1 2 3 4	
1	102301401	Rod, Prop	1
2	102418101	Track, Prop Rod	1
3	1035	Cotter Pin, 3/32 x 1	2
4	332	Washer, 1/4 Type A Narrow Flat	2
5	334	Washer, 3/8 Type A Flat	1
6	7847	Screw, 1/4-20 X 0.75 Hex-Head Cap	2
7	8233	Locknut, 1/4-20 Nylon Insert	2

1

E

1

E



000249-006

FRONT BODY AND TRIM

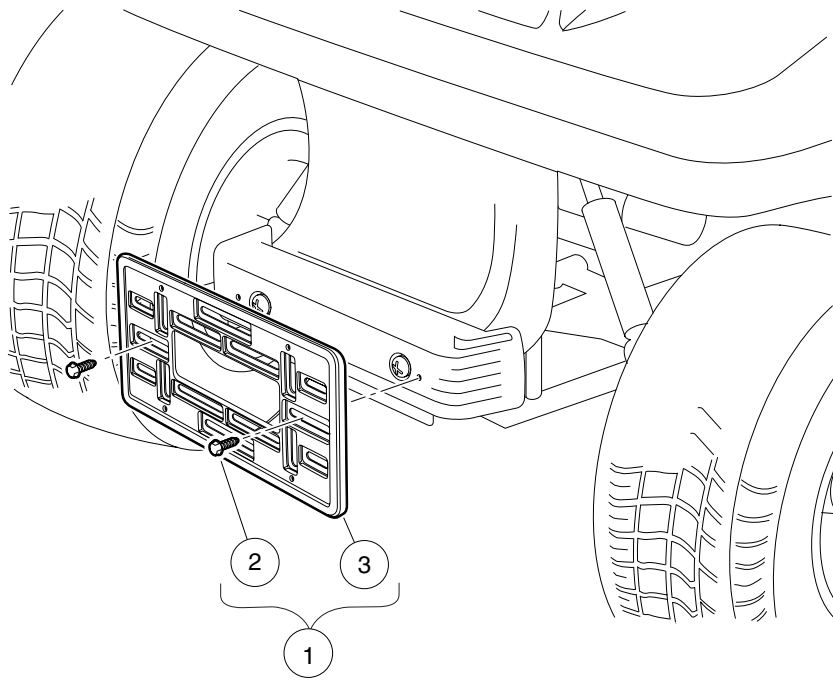
ITEM	PART NO.	DESCRIPTION	QTY
		1 2 3 4	
1	1010434	Barrel - Plastic	12
2	1010435	Bolt, Carriage, 5/16-18 X 1.00	2
3	1011014	Trim, Cowl	1
4	1011017	Screw, #8-32 X 0.375	6
5	1011394	T-Nut Package (Set of 4)	1
6	1015075	Washer, 5/16 Flat Type A	2
7	101693901	Cowl with Headlight Opening, TPO, Beige	1
8	101693902	Cowl with Headlight Opening, TPO, White	1
9	101693906	Cowl with Headlight Opening, TPO, Red	1
10	101693909	Cowl with Headlight Opening, TPO, Dark Green	1
11	101693910	Cowl with Headlight Opening, TPO, Black	1
12	101693911	Cowl with Headlight Opening, TPO, Classic Blue (Navy)	1
13	101693912	Cowl with Headlight Opening, TPO, Burgundy	1
14	101693913	Cowl with Headlight Opening, TPO, Dark Gray	1
15	101693914	Cowl with Headlight Opening, TPO, Safety Yellow	1
16	1017080	Kit, Front Bumper (includes items 17 through 20)	1
17	1016868	Front Bumper	1
18	1016967	Blind Rivet, Push Type	2
19	7251	Screw, 5/16-18 x 1.0 Truss-Head	2
20	7473	Locknut, 5/16-18 Nylon Insert	2
21	101734802	Kit, Heavy-Duty Bumper (includes items 22 through 26)	1
22	1010435	Bolt, Carriage, 5/16-18 X 1.00	2
23	1010546	Spacer	2
24	1015405	Bolt, Carriage, 5/16-18 X 2.0	2
25	N/A	Weldment, Heavy Duty Bumper	1
26	7473	Locknut, 5/16-18 Nylon Insert	4
27	101870401	Fender Extrusion	2
28	1241	Washer, 5/16 Type A Flat	2
29	7251	Screw, 5/16-18 x 1.0 Truss-Head	2
30	7473	Locknut, 5/16-18 Nylon Insert	2

1

E

1

E



000842-001

LICENSE PLATE – FRONT

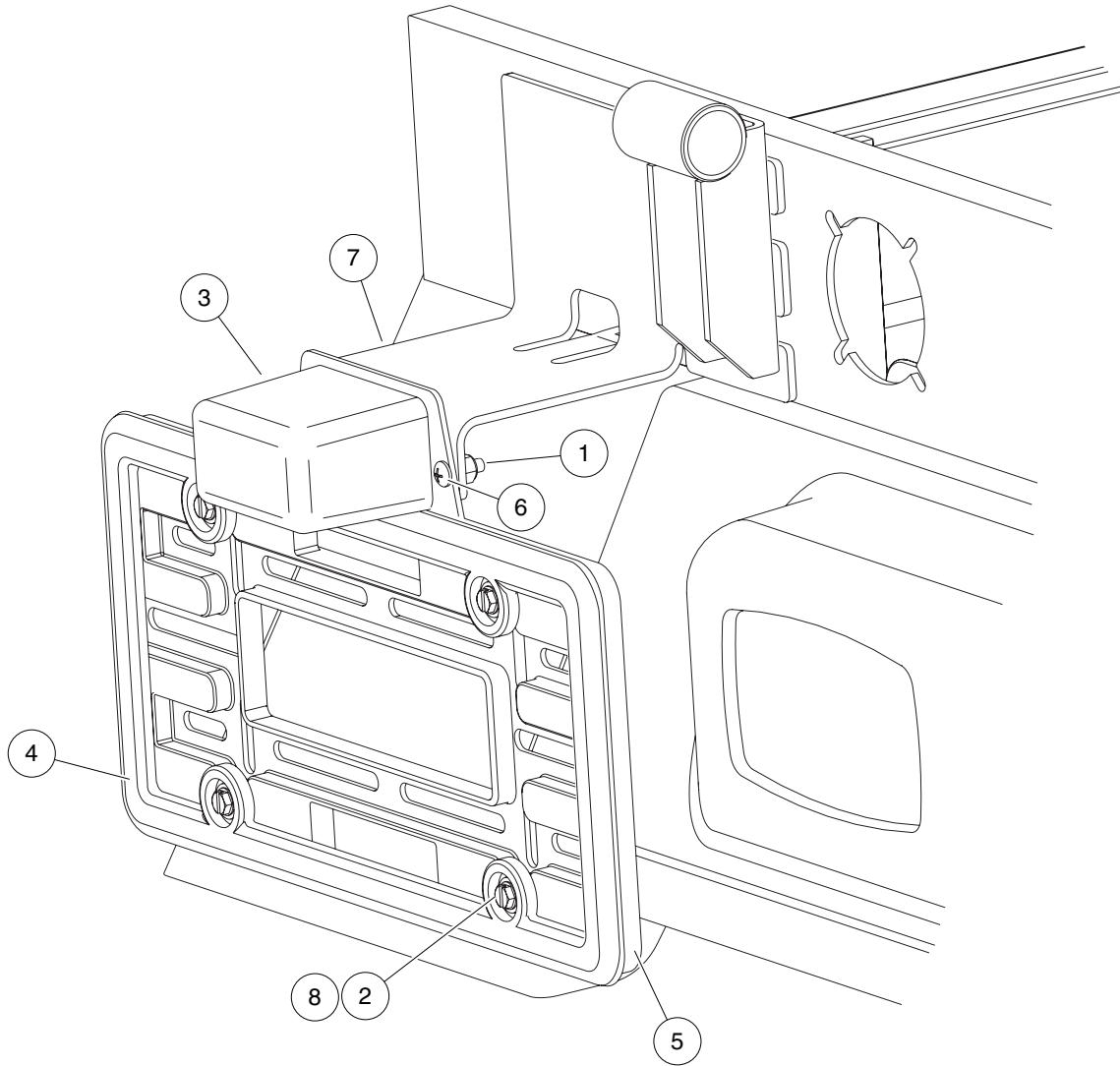
ITEM	PART NO.	DESCRIPTION	QTY
		1 2 3 4	
1	103508401	Kit, Front License Plate (includes items 2 and 3)	1
2	101856101	Screw, 1/4-15 X .50 Hi-lo Hex	2
3	102311501	Front License Plate Assembly	1

1

E

1

E



000842-002

LICENSE PLATE AND LAMP – REAR

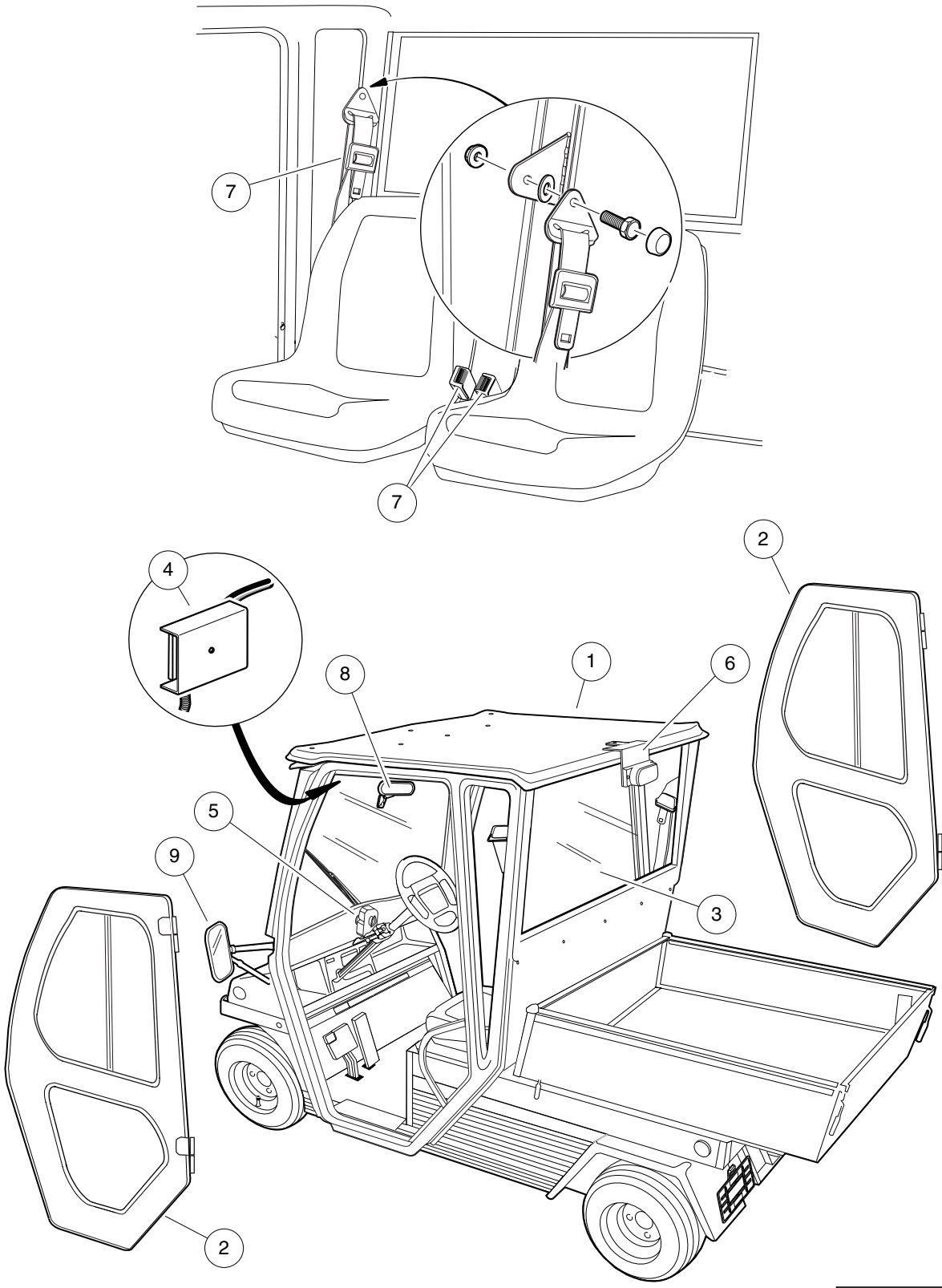
ITEM	PART NO.	DESCRIPTION	QTY
		1 2 3 4	
1	1012438	Locknut, #10-24 Nylon Insert	2
2	1017082	Screw, #10-32 X 0.75, Hex-Head Machine	4
3	102313301	Lamp, License Plate	1
4	102314901	Frame, License Plate	1
5	102315001	Mount, License Plate	1
6	102850502	Screw, 10-24 X .500 Pn Hd	2
7	103506301	Brkt, License Plate Holder	1
8	7893	Nut, #10-32 Hex	4

1

E

1

E



000847-001

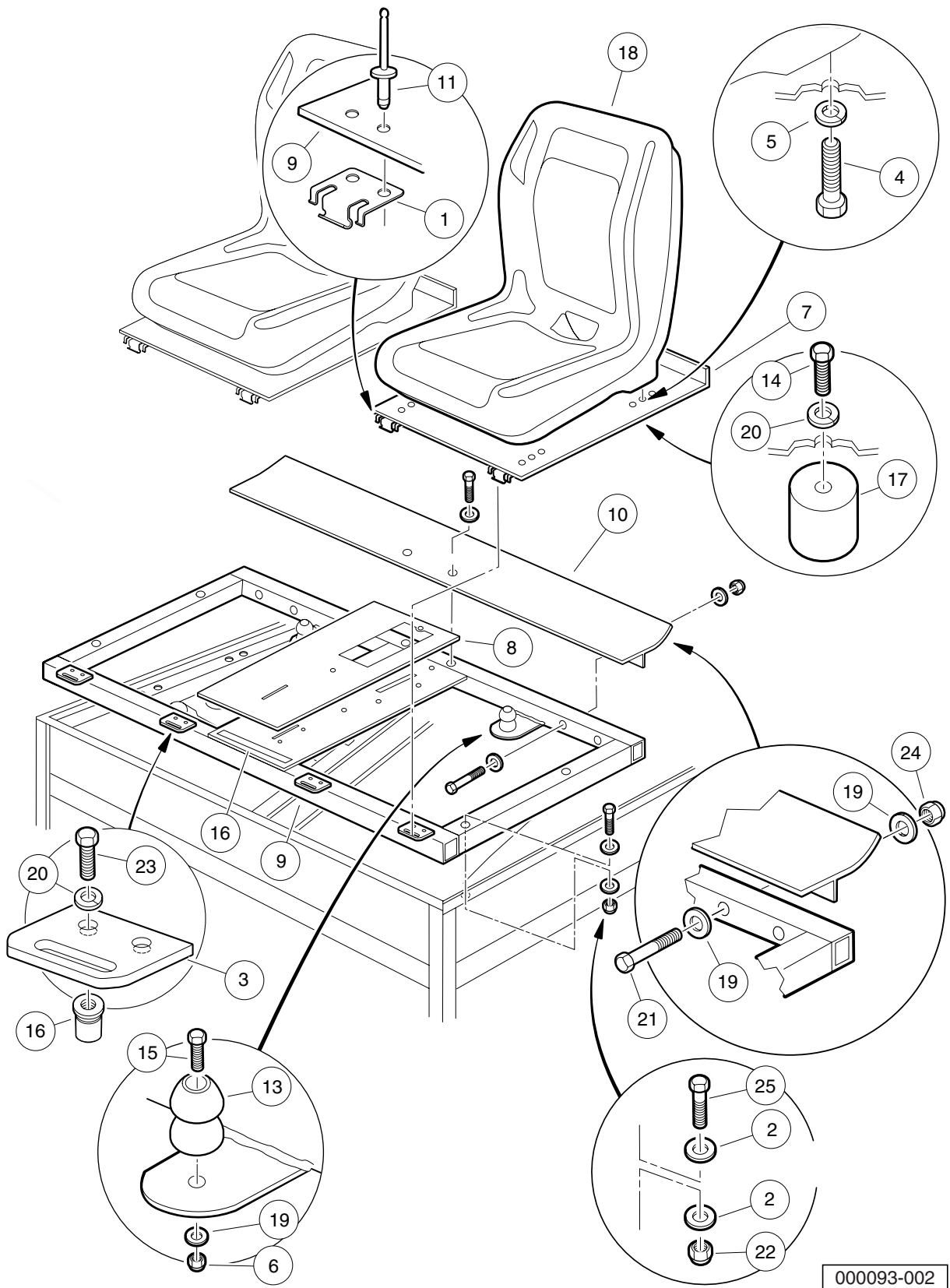
ITEM	PART NO.	DESCRIPTION	QTY
		1 2 3 4	
1	103463701	Kit, Curtis Cab, No Door/wshld	1
2	103463801	Kit, Doors, Curtis Cab	1
3	103463901	Kit, Rear Windshld, Curtis Cab	1
4	103515201	Kit, Fuse Block, Cab	1
5	N/A	Kit, Wiper	1
6	N/A	Kit, Center High Mount Stop Light	1
7	N/A	Kit, Seat Belt	1
8	N/A	Kit, Interior Mirror	1
9	N/A	Kit, Exterior Mirror	1
<p>Note: Kits marked N/A are available from Curtis Tractor Cab, Inc. 111 Higgins Street, Worcester, MA 01606. Phone: 1 (800) 343-7676.</p>			

1

E

1

E



000093-002

SEATS

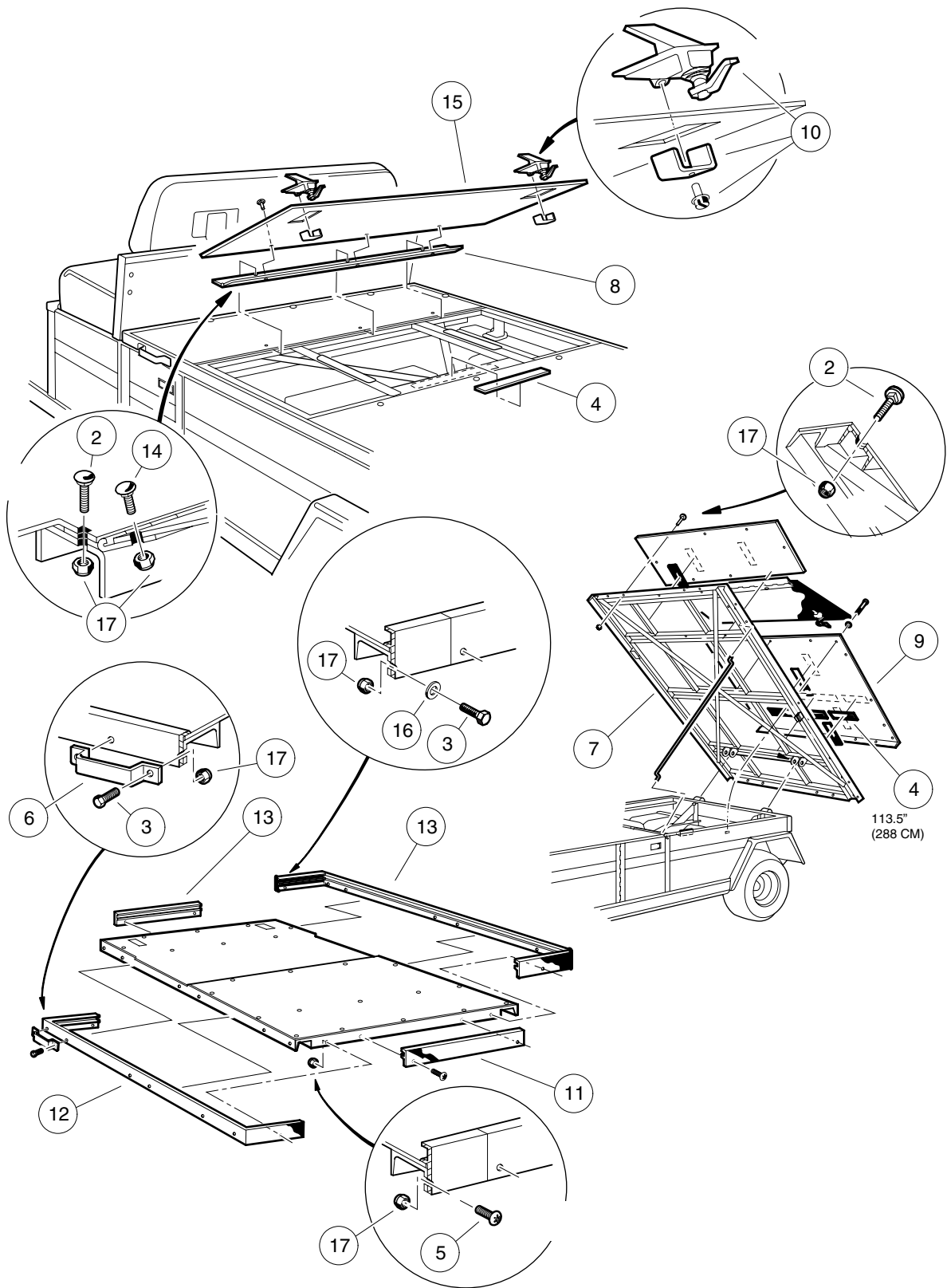
ITEM	PART NO.	DESCRIPTION	QTY
		1 2 3 4	
1	1011652	Hinge Plate	4
2	1011697	Washer, 5/16 Flat	8
3	1012412	Body, Hinge Plate	4
4	1012830	Screw, M8-1.25 X 22 Hex-Head	8
5	1013734	Lockwasher, 8mm Split	8
6	101887601	Locknut, M6-1.00 Nylon Insert	2
7	102023701	Pan, Seat	2
8	102026401	Console Cover	1
9	102026901	Seat Support Assembly	1
10	102029501	Seal	1
11	102047001	Rivet, 1/4 X .438 Blind	8
12	N/A	3M VHB Tape 4936	A/R
13	102059001	Seat Holder Base	2
14	102059401	Screw, 6m-1.00 X 10mm Hex Head	2
15	102059501	Screw, 6m-1.00 X 35mm Hex Head	2
16	102060201	1/4 - 20 Threaded Insert	10
17	102061101	Seat Holder Cup	2
18	103267001	Seat, Bucket, Gray	2
19	332	Washer, 1/4 Type A Narrow Flat	10
20	451	Lockwasher, 1/4 Helical Split	10
21	7311	Screw, 1/4-20 X 2.00 Hex-Head Cap	4
22	7473	Locknut, 5/16-18 Nylon Insert	4
23	7847	Screw, 1/4-20 X 0.75 Hex-Head Cap	8
24	8233	Locknut, 1/4-20 Nylon Insert	4
25	8935	Screw, 5/16-18 X 2.25 Hex-Head Cap	4

1

E

1

E



000264-002

FLAT BED – CA 6

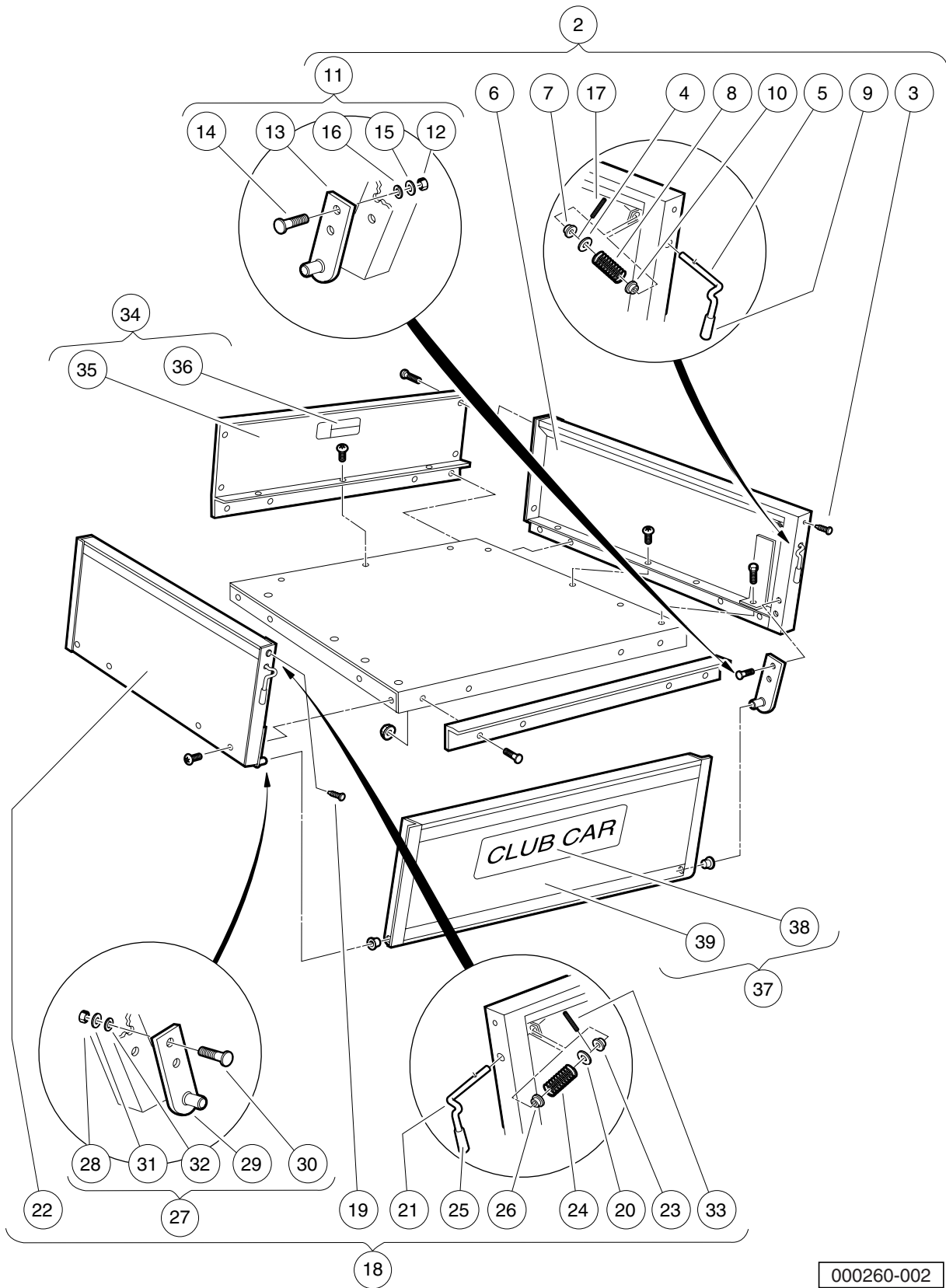
ITEM	PART NO.	DESCRIPTION	QTY
		1 2 3 4	
1	103509602	Asm, Long Bed Str Ic, W-trim (includes items 2 through 17)	A/R
2	1010435	Bolt, Carriage, 5/16-18 X 1.00	13
3	1010934	Screw, 5/16-18 X 1.00 Hex Cap	6
4	1014471	Tape, Vinyl Foam 1/8" x 3/4" *	13
5	1015399	Screw, 5/16-18 X 0.88 Torx Truss-Head	14
6	1016077	Bracket, Stake Side	1
7	N/A	Long Bed Frame Assembly	1
8	1016881	Hinge, Access Door	1
9	****	Plate Floor Rear Long Bed	1
10	101691401	Latch, Door	2
11	1016943	Trim, Long Bed, Front and Rear	2
12	1016944	Trim, Long Bed, Driver-Side	1
13	1016948	Trim, Long Bed, Passenger-Side	1
14	1017077	Bolt, Carriage, 5/16-18 X 0.625	2
15	103509401	Plate Access Door, Ca6, Ic	1
16	1241	Washer, 5/16 Type A Flat	4
17	7473	Locknut, 5/16-18 Nylon Insert	35
		**** Special order item available upon request.	
		* Note: Item not shown.	

1

E

1

E



000260-002

CARGO BOX (ALUMINUM) – CA 2

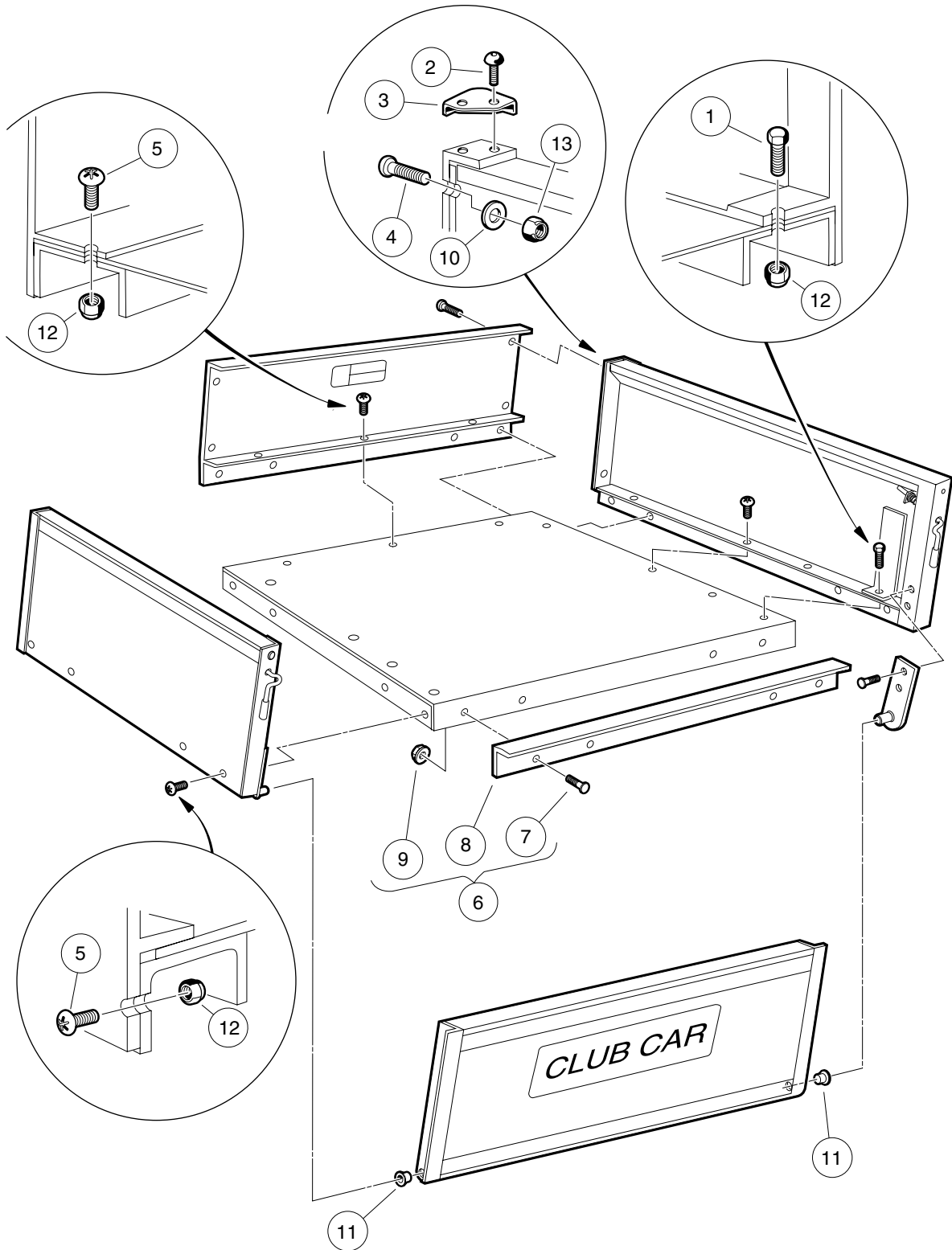
ITEM	PART NO.	DESCRIPTION	QTY
		1 2 3 4	
1	1015607	Cargo Box Set (includes items 2 through 37)	1
2	1015366	Side-Panel Assembly, Right-Hand (includes items 3 through 17)	1
3	1010434	Barrel - Plastic	1
4	1011990	Washer, 3/8 Flat	1
5	1015245	Latch, Tailgate, Right-Hand	1
6	N/A	Side-Panel Weldment, Right-Hand	1
7	1015363	Bushing, Snap-In	1
8	1015390	Compression Spring Latch Tilt	1
9	1015400	Grip, Tilt Latch Hand	1
10	1032	Bushing, Nylon	1
11	103406502	Kit, Tlgt Mtg Brkt, Ca Rh (includes items 12 through 16)	1
12	1028	Nut, 1/4-20 Hex	2
13	103388602	Asm, Tlgt, Mtg Brkt, Ca Rh	1
14	103406601	Stud, 1/4 Self-clnchg Flush	2
15	332	Washer, 1/4 Type A Narrow Flat	2
16	451	Lockwasher, 1/4 Helical Split	2
17	1231	Pin, 1/8 X 1.00 Split Roll	1
18	1015368	Side Panel Assembly, Left-Hand (includes items 19 through 33)	1
19	1010434	Barrel - Plastic	1
20	1011990	Washer, 3/8 Flat	1
21	1015313	Latch, Tailgate, Left-Hand	1
22	N/A	Side-Panel Weldment, Left-Hand	1
23	1015363	Bushing, Snap-In	1
24	1015390	Compression Spring Latch Tilt	1
25	1015400	Grip, Tilt Latch Hand	1
26	1032	Bushing, Nylon	1
27	103406501	Kit, Tlgt Mtg Brkt, Ca Lh (includes items 28 through 32)	1
28	1028	Nut, 1/4-20 Hex	2
29	103388601	Asm, Tlgt, Mtg Brkt, Ca Lh	1
30	103406601	Stud, 1/4 Self-clnchg Flush	2
31	332	Washer, 1/4 Type A Narrow Flat	2
32	451	Lockwasher, 1/4 Helical Split	2
33	1231	Pin, 1/8 X 1.00 Split Roll	1
34	1015412	Front Panel Assembly (includes items 35 and 36)	1
35	N/A	Front Panel Box	1
36	101553901	Decal, Bed Load Warning	1
37	1015424	Tailgate Assembly (includes items 38 and 39)	1
38	1013317	Decal, Logo, Tailgate	1
39	N/A	Tailgate Weldment	1
		Note: Additional components in kit 1015607 are shown on the following two pages.	

1

E

1

E



000261-001

CARGO BOX MOUNTING – CA 2

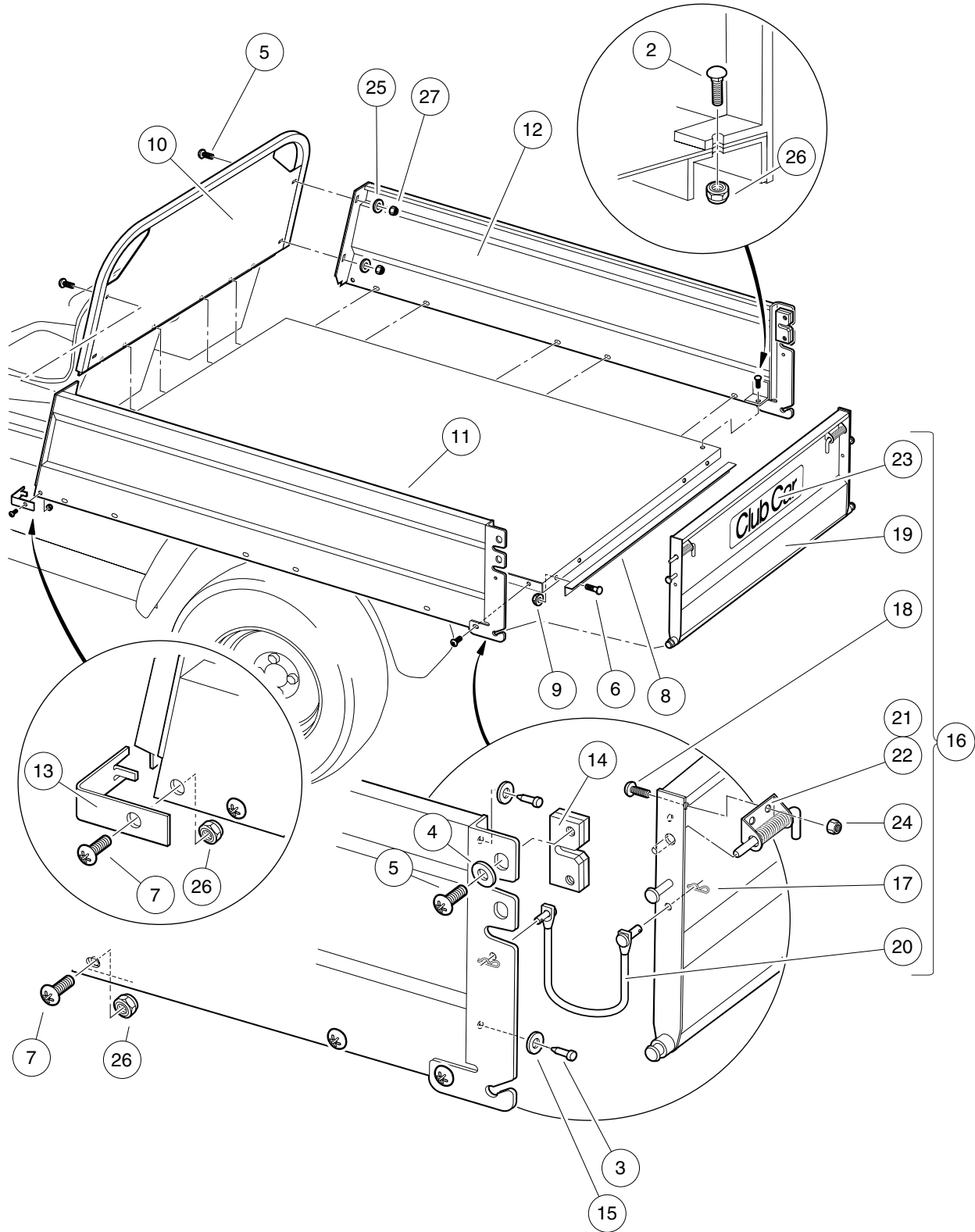
ITEM	PART NO.	DESCRIPTION	QTY
		1 2 3 4	
1	1010934	Screw, 5/16-18 X 1.00 Hex Cap	2
2	1014321	Screw, #10 Truss-Head Torx	4
3	1014387	Cap, Corner	2
4	1014415	Screw, 1/4-20 X 0.75 Torx Truss-Head	4
5	1015399	Screw, 5/16-18 X 0.88 Torx Truss-Head	23
6	101894702	Kit, Tailgate Angle (includes items 7 through 9)	1
7	1014537	Stud, Self-Clinching Flush Head	4
8	N/A	Box Bed Tailgate Angle	1
9	101963401	Locknut, 5/16-18 Hex Flange	4
10	332	Washer, 1/4 Type A Narrow Flat	4
11	7049	Bushing, Nylon	2
12	7473	Locknut, 5/16-18 Nylon Insert	25
13	8233	Locknut, 1/4-20 Nylon Insert	4
<p>Note: All parts listed on this page are included in kit 1015607.</p>			

1

E

1

E



000038-001

CARGO BOX (STEEL) – CA 2

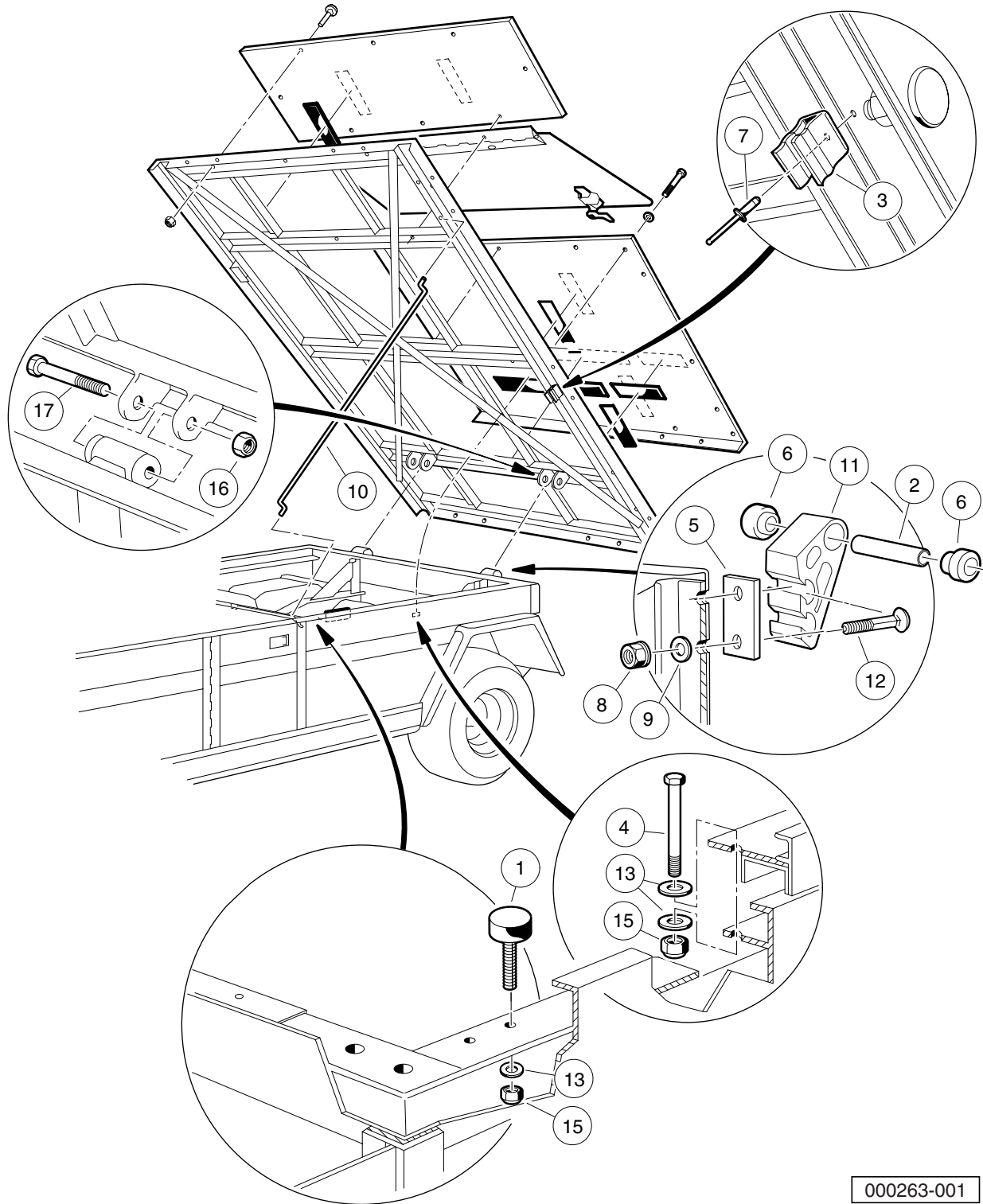
ITEM	PART NO.	DESCRIPTION	QTY
		1 2 3 4	
1	N/A	Instl, Steel Box, XRT (includes items 2 through 27)	1
2	1010435	Bolt, Carriage, 5/16-18 X 1.00	13
3	1010436	Bumper, Rubber	4
4	1014306	Washer, 1/4" Type B Flat	4
5	1014415	Screw, 1/4-20 X 0.75 Torx Truss-Head	8
6	1014537	Stud, Self-Clinching Flush Head	4
7	1015399	Screw, 5/16-18 X 0.88 Torx Truss-Head	18
8	101894304	Box Bed Tailgate Angle	1
9	101963401	Locknut, 5/16-18 Hex Flange	4
10	102221301	Front Panel Weldment	1
11	102221401	Left Panel Weldment	1
12	102221501	Right Panel Weldment	1
13	102221701	Front Corner Cap	2
14	102222001	Slam Latch	2
15	102239901	Washer, Rubber, 3/8	4
16	102614401	Assembly, Tailgate (includes items 17 through 24)	1
17	1013366	Hair Pin Clip	4
18	1014415	Screw, 1/4-20 X 0.75 Torx Truss-Head	4
19	N/A	Tailgate, Weldment	1
20	102221801	Tether Assembly	2
21	102222101	Spring Latch Left	1
22	102222201	Spring Latch Right	1
23	102673201	Decal, Club Car Tailgate	1
24	8233	Locknut, 1/4-20 Nylon Insert	4
25	332	Washer, 1/4 Type A Narrow Flat	4
26	7473	Locknut, 5/16-18 Nylon Insert	31
27	8233	Locknut, 1/4-20 Nylon Insert	4

1

E

1

E



000263-001

FLAT BED MOUNTING – CA 6

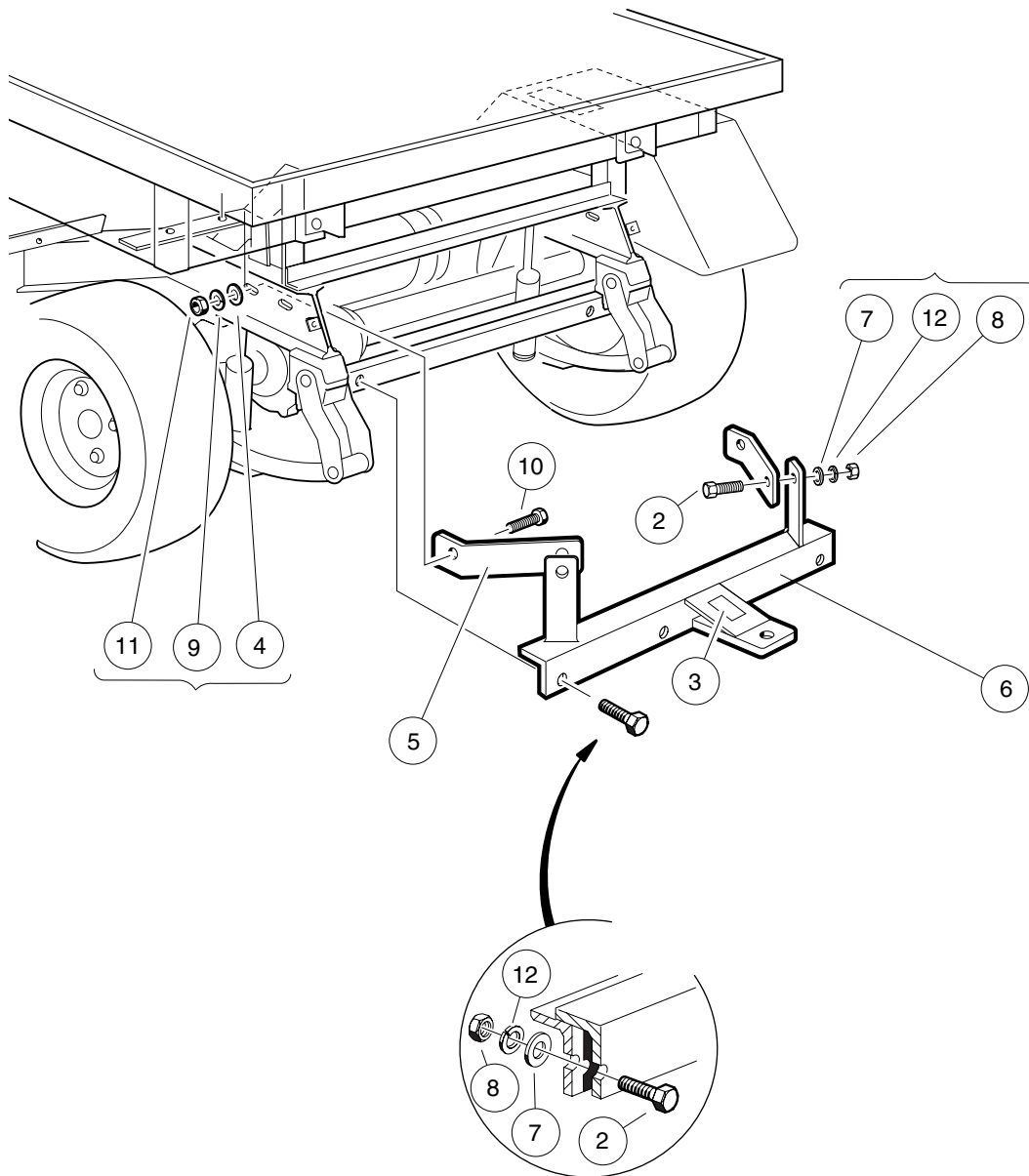
ITEM	PART NO.	DESCRIPTION	QTY
		1 2 3 4	
1	1010878	Bumper, Rubber	2
2	1012303	Bushing, Steel	2
3	1013413	Clip, Rod	1
4	1013872	Bolt, 1/4-20 X 4.00 Hex Head	2
5	1015507	Shim, Tilt Bed Pivot	A/R
6	1015583	Bushing, Urethane	4
7	1015727	Rivet, 1/8	1
8	102065901	Locknut, 3/8-16 Flanged Dimple	4
9	102066001	Washer, 3/8 Type B Hard Flat	4
10	102259401	Prop Rod, Long Bed	1
11	103538701	Extr, Brkt, Hinge, Bed	2
12	103538901	3/8-16 X 3.5 Carr Blt Gr5 Zn	4
13	332	Washer, 1/4 Type A Narrow Flat	6
14	705	Screw, Cap-hex Hd 3/8-16x1.25	4
15	8233	Locknut, 1/4-20 Nylon Insert	4
16	8754	Locknut, 3/8-16 Hex	2
17	8755	Screw, 3/8-16 X 3.375 Hex Cap	2

1

E

1

E



000265-001

TRAILER HITCH

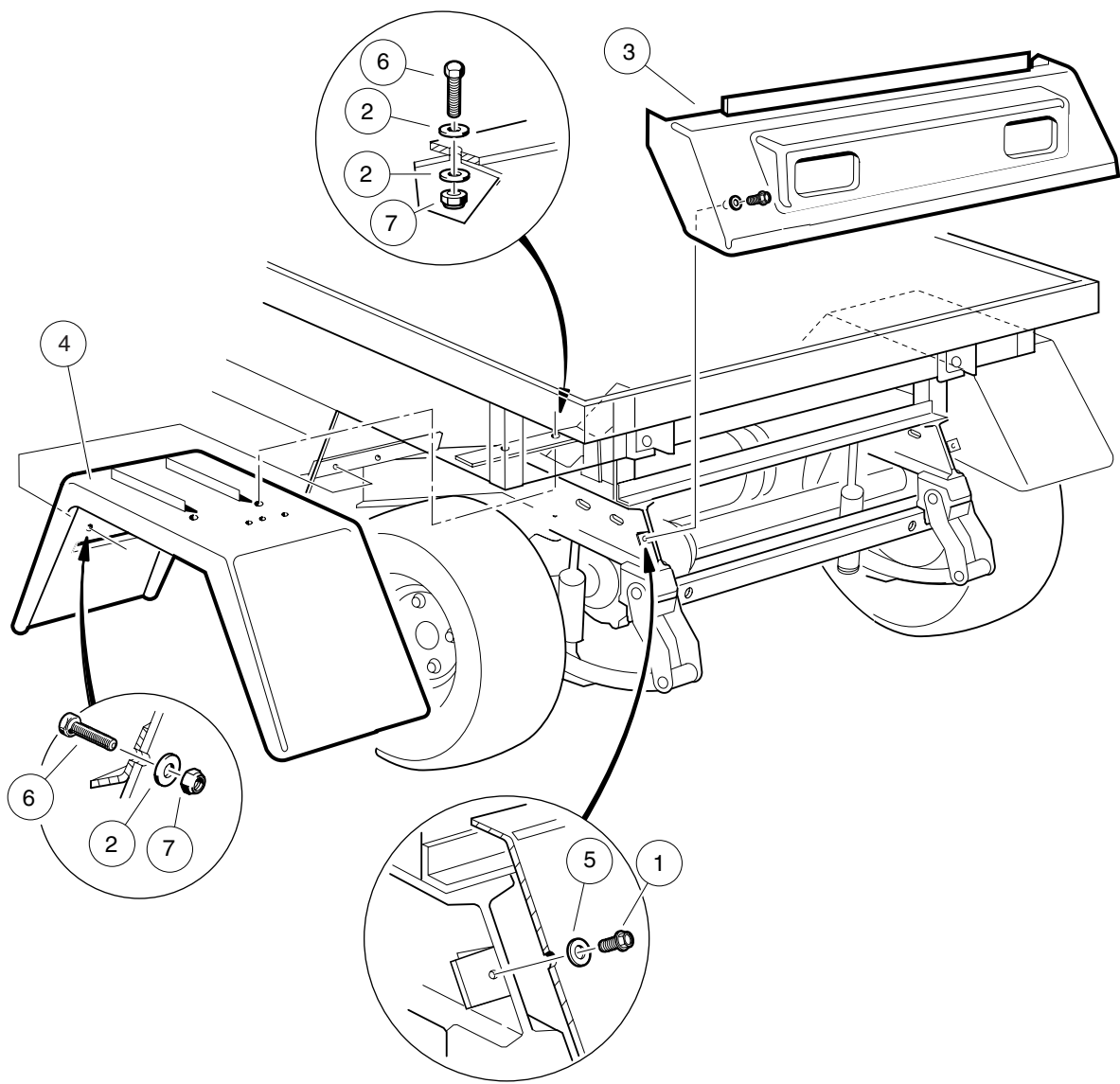
ITEM	PART NO.	DESCRIPTION	QTY
		1 2 3 4	
1	1015445	Kit, Trailer Hitch (includes items 2 through 12)	1
2	1010934	Screw, 5/16-18 X 1.00 Hex Cap	4
3	1011553	Decal, Trailer Hitch	1
4	1011990	Washer, 3/8 Flat	2
5	1013483	Brace, Trailer Hitch	2
6	N/A	Asm, Trailer Hitch	1
7	1241	Washer, 5/16 Type A Flat	4
8	1242	Nut, 5/16-18 Hex	4
9	357	Washer, Lock, Hel Sp 3/8 Reg	2
10	705	Screw, Cap-hex Hd 3/8-16x1.25	2
11	706	Nut, Hex 3/8-16	2
12	7174	Lockwasher, 5/16 Split	4

1

E

1

E



000266-001

REAR BODY TRIM

ITEM	PART NO.	DESCRIPTION	QTY
		1 2 3 4	
1	1012285	Screw, 1/4 X 0.625 Hex-Head	2
2	1014306	Washer, 1/4" Type B Flat	12
3	1015530	Tailskirt	1
4	1016679	Rear Fender	2
5	332	Washer, 1/4 Type A Narrow Flat	2
6	7847	Screw, 1/4-20 X 0.75 Hex-Head Cap	8
7	8233	Locknut, 1/4-20 Nylon Insert	8

1

E

1

E

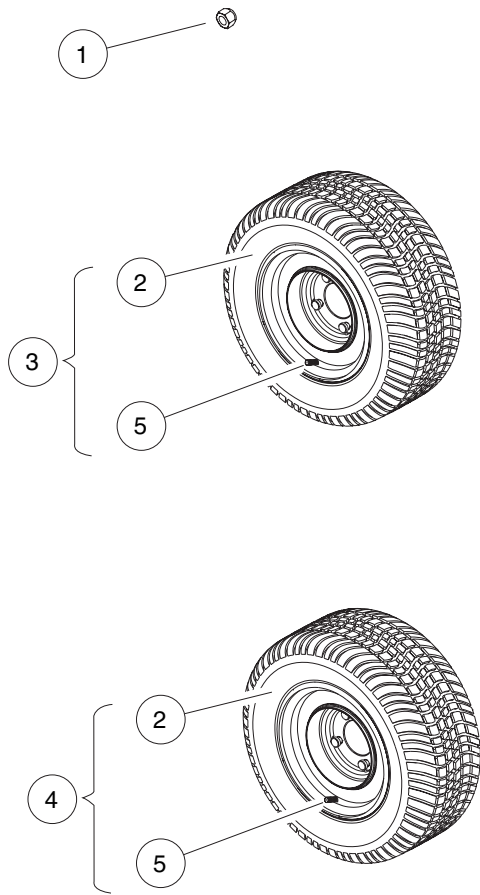
WHEELS AND TIRES

2

E

2

E



00269-012

WHEELS AND TIRES

ITEM	PART NO.	DESCRIPTION	QTY
		1 2 3 4	
1	1010984	.500-20 Unf Lug Nut	16
2	102556702	Tire, Pro Tour 205-50 R10 Dot	1
3	102979203	Asm, Whl/tire, 10" Rim, Wh Dot	4
4	102979204	Asm, Whl/tire, 10" Rim, Be Dot	4
5	7310	Valve Stem	1

2

E

2

E

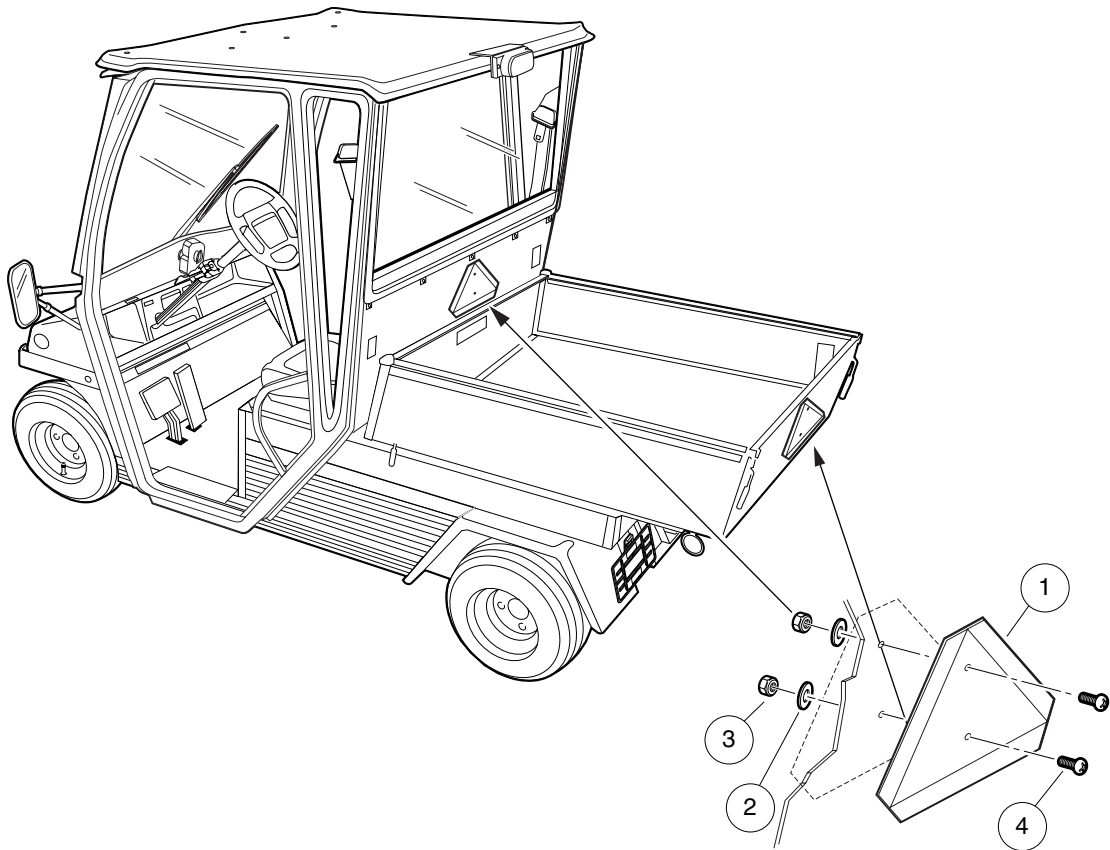
DECALS

3

E

3

E



000861-001

SLOW MOVING VEHICLE SIGN

ITEM	PART NO.	DESCRIPTION	QTY
		1 2 3 4	
1	103573801	Triangle, Slow Moving Vehicle	1
2	332	Washer, 1/4 Type A Narrow Flat	2
3	8233	Locknut, 1/4-20 Nylon Insert	2
4	8248	Screw, 1/4-20 X 0.75 Truss-Head Machine	2

3

E

OPERATING INSTRUCTIONS

- Read Owner's Manual and safety warnings prior to driving.
- Study and understand controls.
- Make sure wheels are turned in desired direction.
- FASTEN SEAT BELT and remain seated while moving.
- Turn key to "ON" position. Be sure nothing is in your path.
- While vehicle is stopped, select direction by placing Forward/Reverse switch in desired position:
F – Forward Neutral R – Reverse (Buzzer will sound)
- Release park brake fully.
- Vehicle will start moving when accelerator pedal is pressed.
- Slowly press accelerator pedal to increase speed.
- To stop, release accelerator pedal and press brake pedal.
- After stopping, firmly set park brake.
- Place Forward/Reverse switch in NEUTRAL position.
- Turn key "OFF" and remove key when not in use.

103499301

VEHICLE DISCLOSURE

This vehicle:

- Has a maximum speed of greater than 20 miles per hour (mph), but not greater than 25 mph;
- Shall only be operated in the manner and locations permitted by law;
- Shall not be operated on a public highway with a speed limit in excess of 35 mph, provided the maximum posted speed limit for lawful operation in Maryland is 30 mph, and the limit for Idaho is 25 mph;
- May be a hazard on the roadways if it impedes traffic;
- May subject the driver to citations for impeding traffic;
- May not be equipped with such safety features as bumpers, a padded dashboard, vision, or a tamper-resistant odometer.

103500501

WARNING

This vehicle's maximum speed is 25 miles per hour and it may be a hazard on the roadways if it impedes traffic for which the driver may be cited.

103500301

WARNING

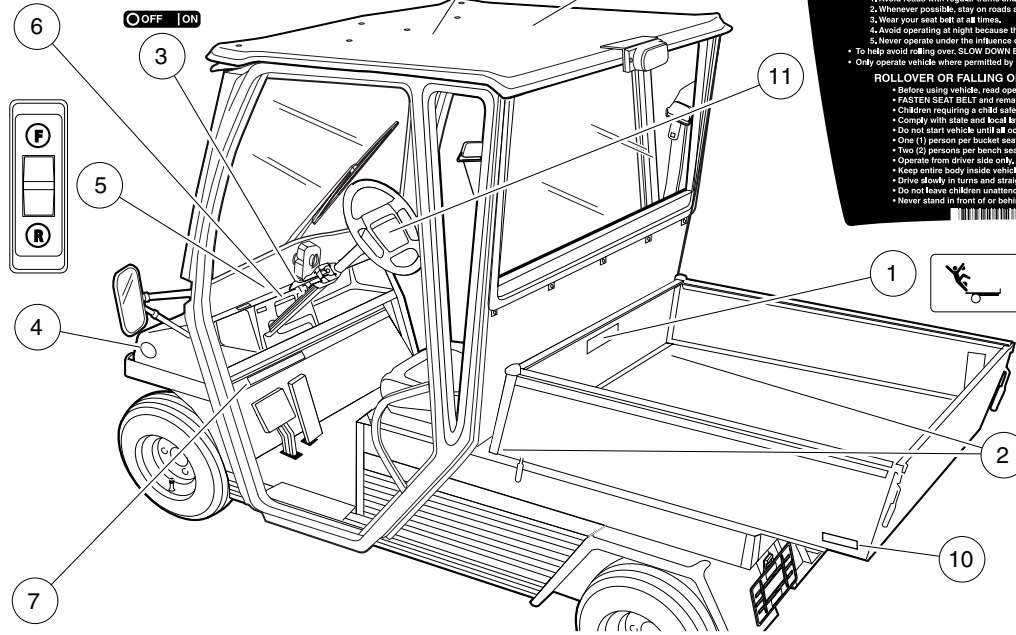
WHEN OPERATING VEHICLE ON PUBLIC ROADS

- This vehicle offers much less crash protection than a regular car, van, or truck. This results in a higher risk of injury or death in collisions, even at low speeds. The higher the speed of traffic around you, the higher the risk of injury.
- To reduce risks:
 1. Avoid roads with regular traffic and speed limits above 25 mph (40 km/h).
 2. Whenever possible, stay on roads and lanes limited to low-speed vehicles.
 3. Wear your seat belt at all times.
 4. Avoid operating at night because this vehicle may be hard for others to see.
 5. Never operate under the influence of alcohol or drugs.
- To help avoid rolling over, SLOW DOWN BEFORE MAKING SHARP TURNS.
- Only operate vehicle where permitted by law.

ROLLOVER OR FALLING OFF MAY CAUSE DEATH

- Before using vehicle, read operating instructions.
- FASTEN SEAT BELT and remain seated while moving.
- Children requiring a child safety seat must not ride on the vehicle.
- Comply with state and local laws pertaining to child safety.
- Do not start vehicle until all occupants are seated.
- One (1) person per bucket seat maximum.
- Two (2) persons per bench seat maximum.
- Operate from driver side only.
- Keep entire body inside vehicle while moving.
- Drive slowly in turns and straight up and down slopes.
- Do not leave children unattended on vehicle.
- Never stand in front of or behind vehicle.

10352101



WARNING

Riding in cargo bed can cause severe injury or death. Do not ride in cargo bed.

WARNING

CRUSH AREA

STAY CLEAR

CCI 101606401

VEHICLE LOADING

Read Owner's Manual and vehicle warnings.

- Vehicle rated capacity: 950 lb. (430 kg) on level surface only. Weight to include passengers, cargo bed load, and gross trailer weight. See Owner's Manual.
- Maximum cargo load: 550 lb. (249 kg). Weight to include cargo bed load and gross trailer weight.
- Maximum trailer hitch tongue weight: 150 lb. (68 kg)
- Cargo should be evenly spread over the floor of the cargo bed as far forward as possible and secured.
- For vehicle stability, when fully loaded, drive slowly and avoid stopping on or backing down steep hills.
- Avoid top heavy loads. See Owner's Manual.
- When driving on uneven terrain or down steep hills, reduce speed and load.

103500501

25 MPH Vehicle

SAFETY DECALS – CA 2

ITEM	PART NO.	DESCRIPTION	QTY
		1 2 3 4	
1	101553901	Decal, Bed Load Warning	1
2	101609401	Decal, Crush Area Warning	2
3	101825101	Decal, Off/On	1
4	102332501	Reflector, Round Abmer	2
5	103210301	Decal, Forward/Reverse, Electric	1
6	103499301	Decal, Operating Inst, On-road	1
7	103500501	Decal, Veh Load, Ca2 On-road	1
8	103501301	Decal, Max Speed	1
9	103501401	Decal, 25 Mph	1
10	103531501	Reflector, Red, 4 3/8 X 1 1/8	2
11	103532101	Decal, Warning, On-road Use	1
12	103537001	Decal, LSV Vehicle Disclosure	1

3

E

3

E

WARNING

AVOID FIRE HAZARD

- Replacement battery wires must be 2-gauge (AWG) with low-resistance terminals equivalent to factory-installed wires.
- Ensure that battery connections are clean and properly tightened. See owner's manual.

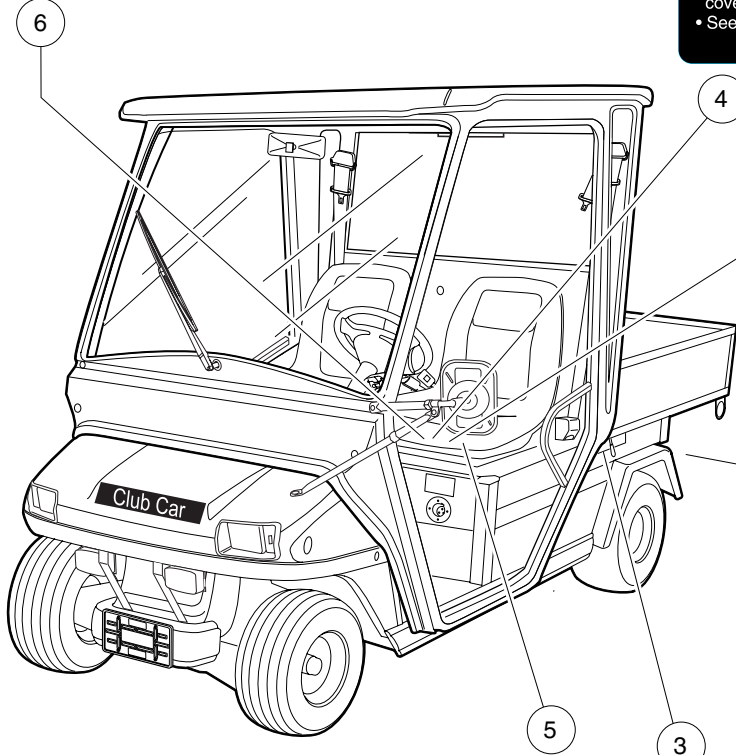
103515301

CAUTION

EXPOSURE TO WATER MAY DAMAGE ELECTRONIC COMPONENTS

- Do not operate vehicle without this cover properly installed.
- Do not direct water stream in the area of the cover without cover securely in place.
- See vehicle maintenance and service manual before servicing.

CCI 102518301



DANGER / POISON

SHIELD EYES
EXPOSURE TO GASES CAN CAUSE BLINDNESS OR INJURY

NO SPARKS, FLAMES, OR SMOKING

SULFURIC ACID CAN CAUSE BURNS OR SEVERE BURNS

FLUSH EYES IMMEDIATELY WITH WATER
GET MEDICAL HELP FAST

KEEP OUT OF THE REACH OF CHILDREN - DO NOT TIP - KEEP VENT CAPS TIGHT AND LEVEL

NOTICE

MAXIMUM TONGUE WEIGHT - 150 lbs.

CCI 1011553

WARNING

BATTERY EXPLOSION COULD RESULT IN SEVERE PERSONAL INJURY.

- Do not store items in battery compartment.
- Place Run/Tow switch in TOW position before
- Disconnecting or connecting battery cables
- Towing this vehicle
- Extended storage
- Servicing the vehicle

TOW RUN

103499601

LATCH OPEN

WARNING

Crush area. Can cause severe injury. Stay clear when closing bed.

CCI 102459301

000844-001

SAFETY DECALS – CA 2, CONTINUED

ITEM	PART NO.	DESCRIPTION	QTY
		1 2 3 4	
1	1011553	Decal, Trailer Hitch	1
2	1013677	Decal, Battery Danger	1
3	102459301	Decal, Bed Crush Area Warning	1
4	102518301	Decal, Caution, Electrical Component Cover	1
5	102845101	Decal, Tow Switch	1
6	103515301	Decal, Warning, 2 Ga	1

3

E

OPERATING INSTRUCTIONS

- Read Owner's Manual and safety warnings prior to driving.
- Study and understand controls.
- Make sure wheels are turned in desired direction.
- FASTEN SEAT BELT and remain seated while moving.
- Turn key to "ON" position. Be sure nothing is in your path.
- While vehicle is stopped, select direction by placing Forward/Reverse switch in desired position:
F – Forward Neutral R – Reverse (Buzzer will sound)
- Release park brake fully.
- Vehicle will start moving when accelerator pedal is pressed.
- Slowly press accelerator pedal to increase speed.
- To stop, release accelerator pedal and press brake pedal.
- After stopping, firmly set park brake.
- Place Forward/Reverse switch in NEUTRAL position.
- Turn key "OFF" and remove key when not in use.

103499301

VEHICLE DISCLOSURE

- This vehicle:
- Has a maximum speed of greater than 20 miles per hour (mph), but not greater than 25 mph;
 - Shall only be operated in the manner and locations permitted by law;
 - Shall not be operated on a public highway with a speed limit in excess of 25 mph; provided the maximum posted speed limit for lawful operation in Maryland is 30 mph, and the limit for Idaho is 25 mph;
 - May be a hazard on the roadways if it impedes traffic;
 - May subject the driver to citations for impeding traffic;
 - May not be equipped with such safety features as bumpers, a padded dashboard, visors, or a tamper-resistant odometer.

1032920

WARNING

This vehicle's maximum speed is 25 miles per hour and it may be a hazard on the roadways if it impedes traffic for which the driver may be cited.

103501361

WARNING
CRUSH AREA

STAY CLEAR
CCI 101609401

25 MPH Vehicle

WARNING

BATTERY EXPLOSION COULD RESULT IN SEVERE PERSONAL INJURY.

- Do not store items in battery compartment.
- Place Run/Tow switch in TOW position before
- Disconnecting or connecting battery cables
- Towing this vehicle
- Extended storage
- Servicing the vehicle

TOW RUN

DANGER / POISON

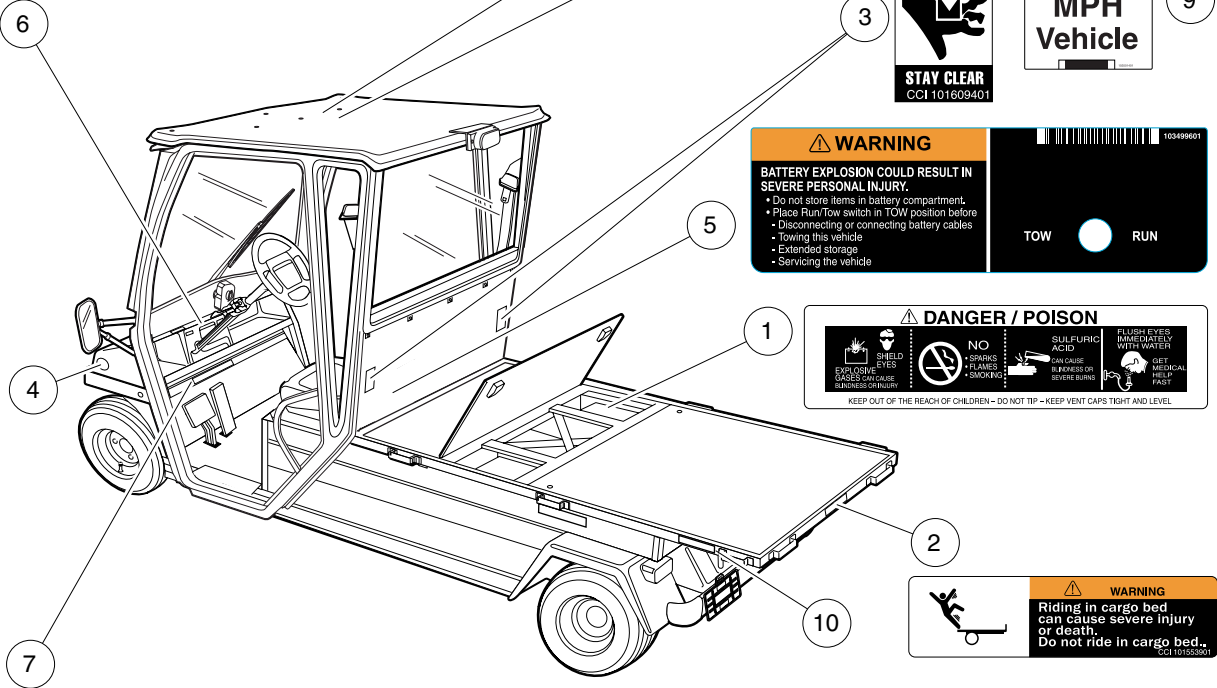
EXPLOSIVE - SHIELD EYES - NO SPARKS - FLAMES - SMOKE - SULFURIC ACID - CAN CAUSE BLINDNESS OR SEVERE BURNS - GET MEDICAL HELP FAST

KEEP OUT OF THE REACH OF CHILDREN - DO NOT TIP - KEEP VENT CAPS TIGHT AND LEVEL

WARNING

Riding in cargo bed can cause severe injury or death. Do not ride in cargo bed.

CCI 101603501



VEHICLE LOADING

Read Owner's Manual and vehicle warnings.

- Vehicle rated capacity: 1250 lb. (567 kg) on level surface only. Weight to include passengers, cargo bed load, and gross trailer weight. See Owner's Manual.
- Maximum cargo load: 850 lb. (385 kg). Weight to include cargo bed load and gross trailer weight.
- Maximum trailer hitch tongue weight: 150 lb. (68 kg)

- Cargo should be evenly spread over the floor of the cargo bed as far forward as possible and secured.
- For vehicle stability, when fully loaded, drive slowly and avoid stopping on or backing down steep hills.
- Avoid top heavy loads. See Owner's Manual.
- When driving on uneven terrain or down steep hills, reduce speed and load.

103500601

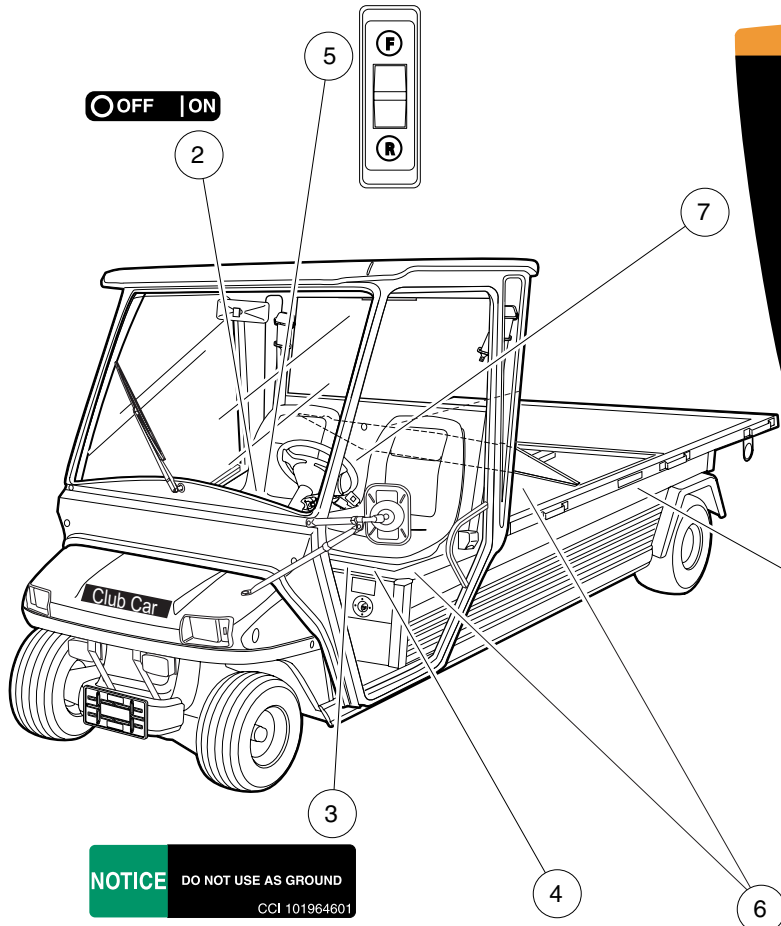
000845-001

SAFETY DECALS – CA 6

ITEM	PART NO.	DESCRIPTION	QTY
		1 2 3 4	
1	1013677	Decal, Battery Danger	1
2	101553901	Decal, Bed Load Warning	1
3	101609401	Decal, Crush Area Warning	1
4	102332501	Reflector, Round Abmer	2
5	102845101	Decal, Tow Switch	1
6	103499301	Decal, Operating Inst, On-road	1
7	103500601	Decal, Veh Load, Ca6 On-road	1
8	103501301	Decal, Max Speed	1
9	103501401	Decal, 25 Mph	1
10	103531501	Reflector, Red, 4 3/8 X 1 1/8	2
11	103537001	Decal, LSV Vehicle Disclosure	1

3

E



NOTICE DO NOT USE AS GROUND
CCI 101964601

CAUTION
EXPOSURE TO WATER MAY DAMAGE ELECTRONIC COMPONENTS

- Do not operate vehicle without this cover properly installed.
- Do not direct water stream in the area of the cover without cover securely in place.
- See vehicle maintenance and service manual before servicing.

CCI 102518301

WARNING

WHEN OPERATING VEHICLE ON PUBLIC ROADS

- This vehicle offers much less crash protection than a regular car, van, or truck. This results in a higher risk of injury or death in collisions, even at low speeds. The higher the speed of traffic around you, the higher the risk of injury.
- To reduce risks:
 1. Avoid roads with regular traffic and speed limits above 25 mph (40 km/h).
 2. Whenever possible, stay on roads and lanes limited to low-speed vehicles.
 3. Wear your seat belt at all times.
 4. Avoid operating at night because this vehicle may be hard for others to see.
 5. Never operate under the influence of alcohol or drugs.
- To help avoid rolling over, SLOW DOWN BEFORE MAKING SHARP TURNS.
- Only operate vehicle where permitted by law.

ROLLOVER OR FALLING OFF MAY CAUSE DEATH

- Before using vehicle, read operating instructions.
- FASTEN SEAT BELT and remain seated while moving.
- Children requiring a child safety seat must not ride on the vehicle.
- Comply with state and local laws pertaining to child safety.
- Do not start vehicle until all occupants are seated.
- One (1) person per bucket seat maximum.
- Two (2) persons per bench seat maximum.
- Operate from driver side only.
- Keep entire body inside vehicle while moving.
- Drive slowly in turns and straight up and down slopes.
- Do not leave children unattended on vehicle.
- Never stand in front of or behind vehicle.

103532101

WARNING

FAILURE TO FOLLOW THESE INSTRUCTIONS CAN CAUSE SEVERE INJURY OR DEATH.

Bed can tip up unexpectedly. Bed hold down bolts must be fastened.

CCI 101707801

WARNING

AVOID FIRE HAZARD

- Replacement battery wires must be 2-gauge (AWG) with low-resistance terminals equivalent to factory-installed wires.
- Ensure that battery connections are clean and properly tightened.

See owner's manual.

103515301

SAFETY DECALS – CA 6, CONTINUED

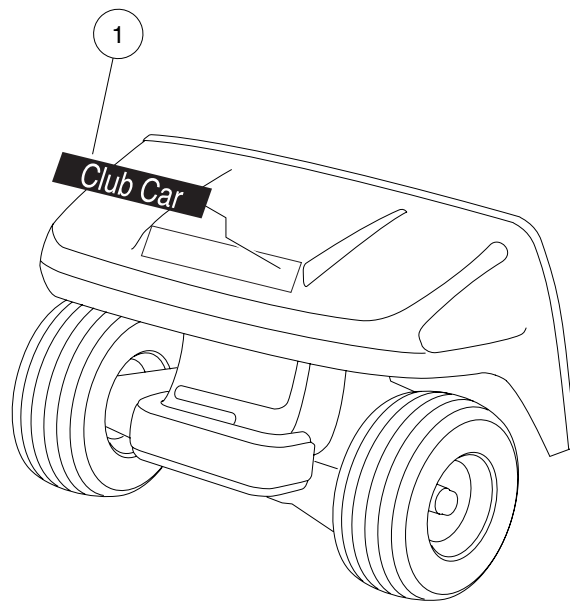
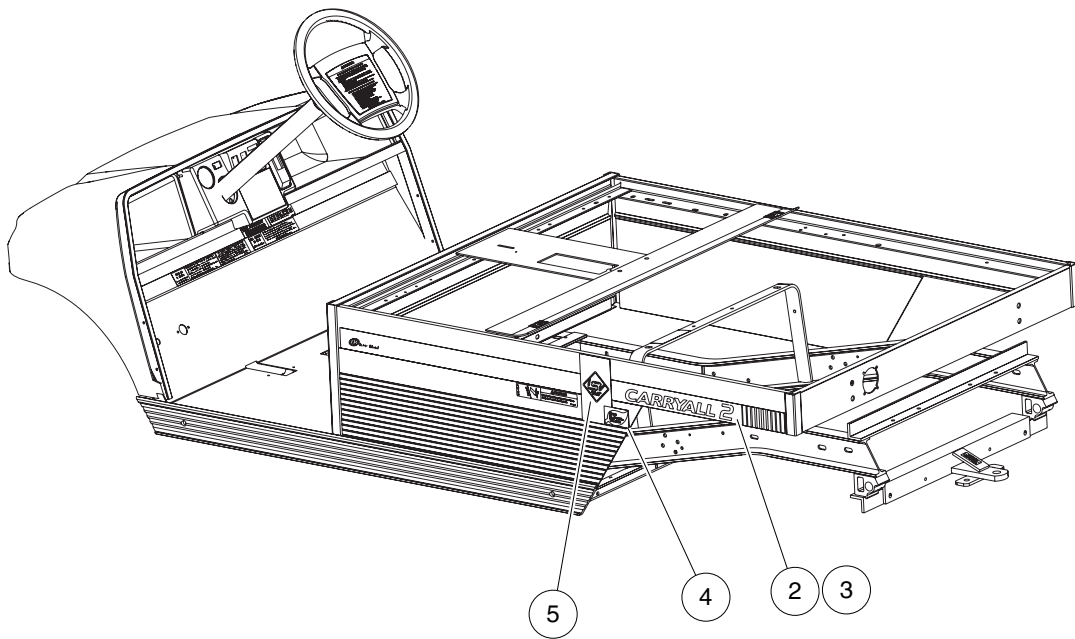
ITEM	PART NO.	DESCRIPTION	QTY
		1 2 3 4	
1	N/A	Decal, Bed Hold-Down Bolts	1
2	101825101	Decal, Off/On	1
3	101964601	Decal, No Ground Warning	1
4	102518301	Decal, Caution, Electrical Component Cover	1
5	103210301	Decal, Forward/Reverse, Electric	1
6	103515301	Decal, Warning, 2 Ga	1
7	103532101	Decal, Warning, On-road Use	1

3

E

3

E



000853-001

BADGING DECALS – CA 2

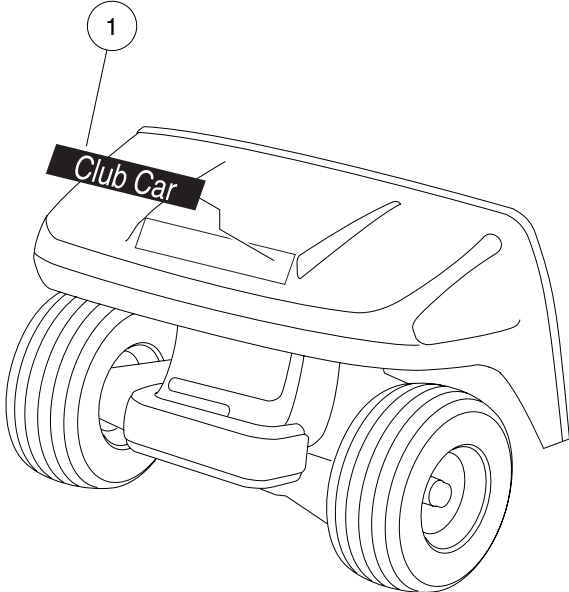
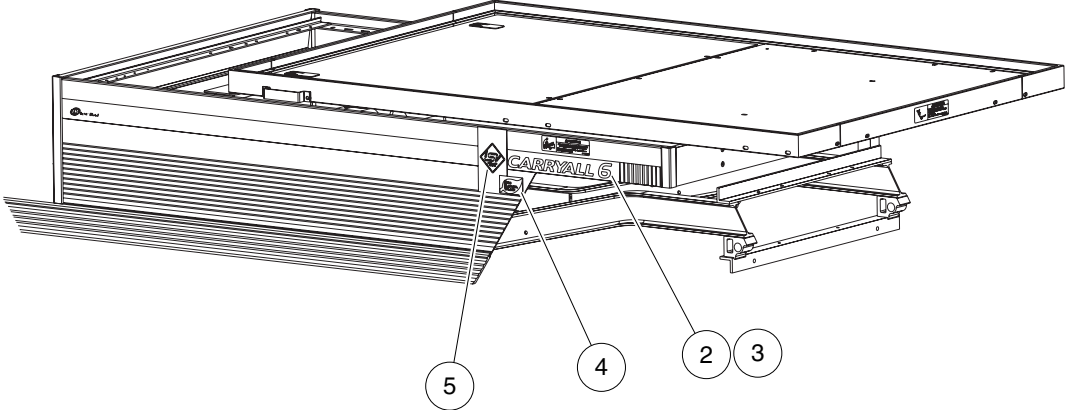
ITEM	PART NO.	DESCRIPTION	QTY
		1 2 3 4	
1	101670201	Nameplate Kit (silver)	1
2	103515401	Decal, Ca2, Sidepanel, Drv	1
3	103515501	Decal, Ca2, Sidepanel, Pass	1
4	103516901	Decal, Leaf, Zev	2
5	103517801	Decal, Low Speed Vehicle	2

3

E

3

E



000853-002

BADGING DECALS – CA 6

ITEM	PART NO.	DESCRIPTION	QTY
		1 2 3 4	
1	101670201	Nameplate Kit (silver)	1
2	103515601	Decal, Ca6, Sidepanel, Drv	1
3	103515701	Decal, Ca6, Sidepanel, Pass	1
4	103516901	Decal, Leaf, Zev	2
5	103517801	Decal, Low Speed Vehicle	2

3

E

3

E

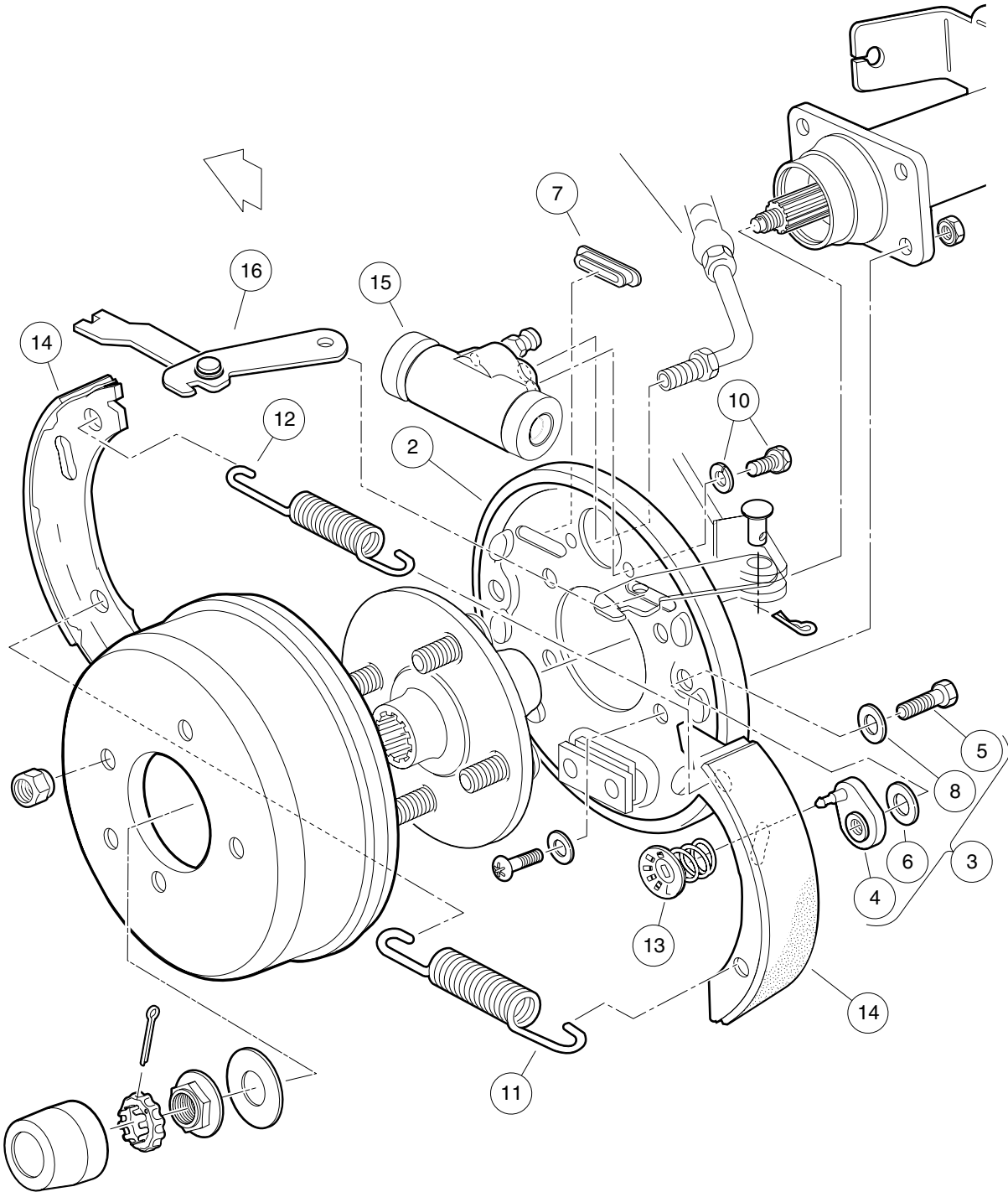
BRAKES, PEDALS AND CABLE ASSEMBLIES

4

G

E

4
G
E



000107-001

REAR BRAKE ASSEMBLY

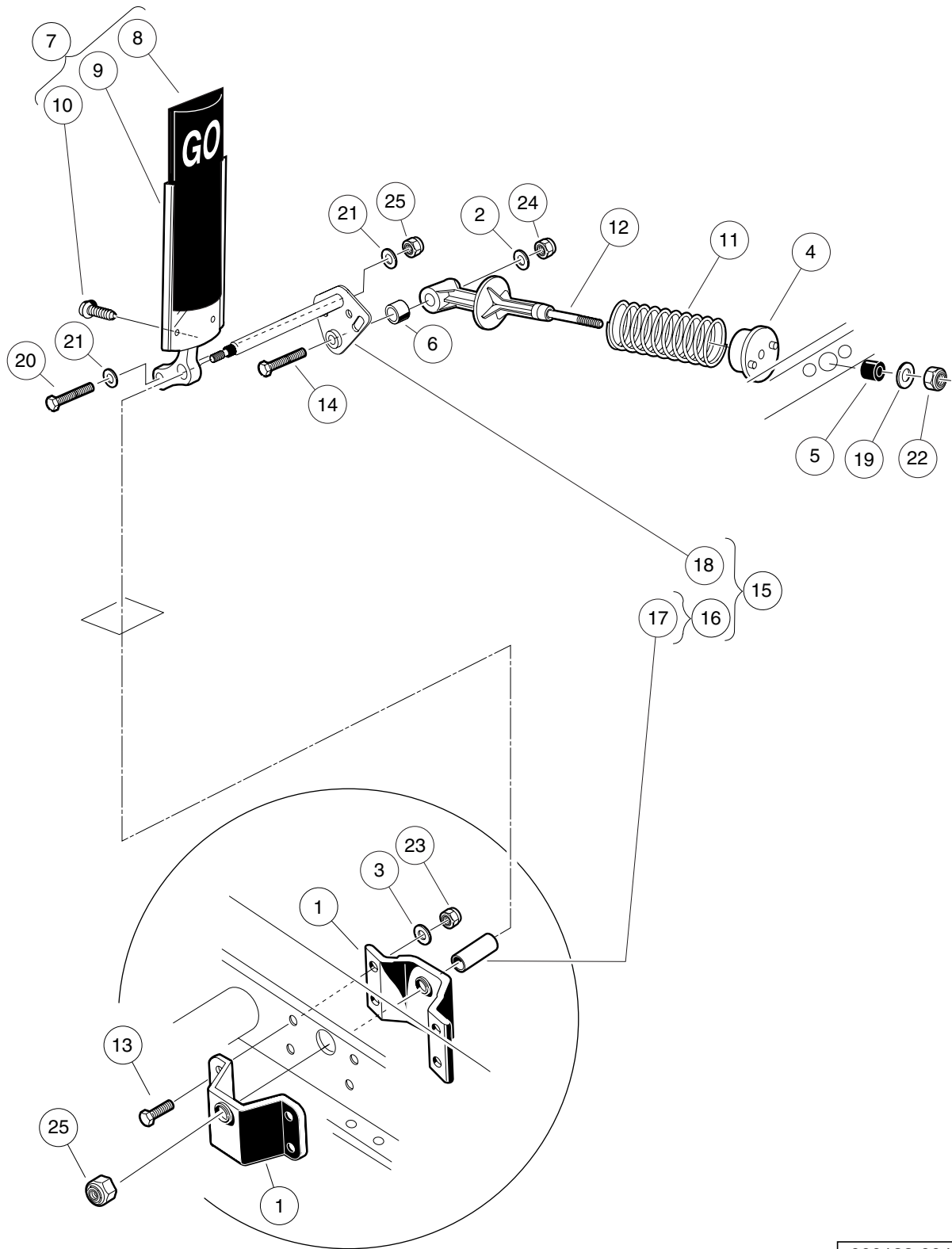
ITEM	PART NO.	DESCRIPTION	QTY
		1 2 3 4	
1	101791101	Drum without Center Hole, Brake	A/R
2	102033401	Assembly, Brake Cluster LH (includes items 3 through 17)	1
3	102049401	Backing Plate Asm	1
4	102049601	Kit, Axle Adjuster (includes items 5 through 9)	1
5	102049501	Adjuster	4
6	102049901	Bolt, 1/4-28 UNF X .31	4
7	102050001	Washer	4
8	102050101	Dust Cover	4
9	N/A	Washer, 1/4 Flat	4
10	102049701	Kit, Axle Hardware (includes items 11 through 14)	1
11	102050401	Bolt, Wheel Cylinder	2
12	102050501	Spring, Shoe To Shoe, Lower	1
13	102050601	Spring, Shoe To Shoe, Upper	1
14	102050701	Shoe Hold Down	2
15	102050201	Shoe Kit, Axle Set	1
16	102050801	Wheel Cylinder Assembly 0.875 Dia	1
17	102050902	Park Brake Assembly, Left-Hand	1
Note: Right-hand brake cluster components not shown.			

4

G

E

4
G
E



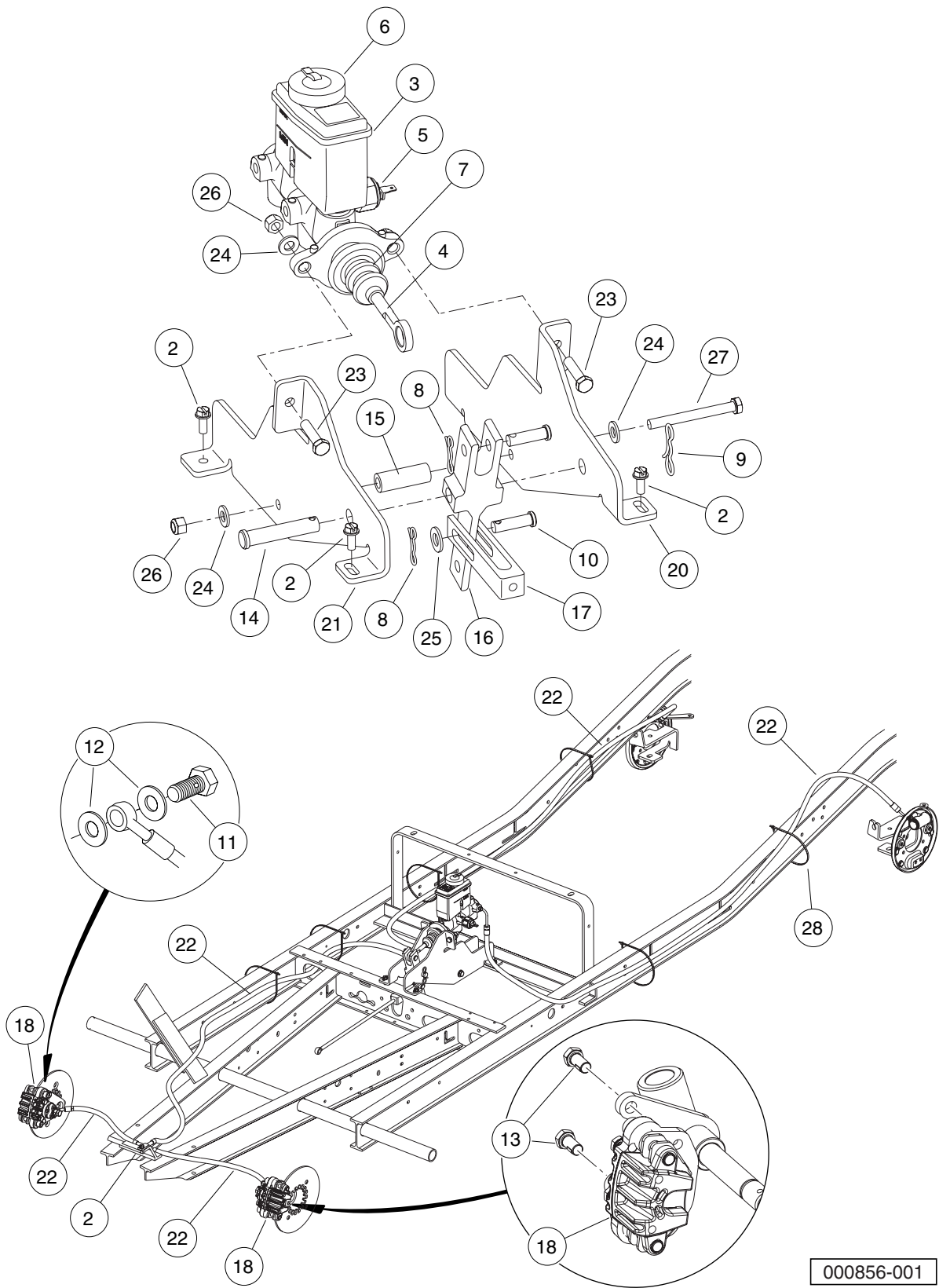
000188-004

ACCELERATOR PEDAL ASSEMBLY

ITEM	PART NO.	DESCRIPTION	QTY
		1 2 3 4	
1	1011694	Accelerator Bracket and Bearing Assembly	2
2	1011931	Washer, 1/4 Flat	1
3	1014007	Washer, 1/4 Flat	4
4	1017378	Cup, Spring	1
5	1017380	Bumper, Spring Return	1
6	1017424	Bearing, Pivot Support	1
7	1017696	Sub Asm, Accelerator Pedal (includes items 8 through 10)	1
8	1013871	Pad, Accelerator Pedal	1
9	N/A	Accelerator Pedal Weldment	1
10	7716	Screw, #10-16 Type AB, Sheet Metal	4
11	101796201	Spring, Accelerator Return	1
12	101817401	Retainer, Spring	1
13	101861901	Screw, 1/4-20 X 1.125 Hex Cap	4
14	101862001	Screw, 1/4-20 X 1.500 Flange	1
15	102026001	Kit, Accelerator Pivot Rod Assembly (includes items 16 through 18)	1
16	1011700	Spacer Assembly (includes item 17)	1
17	N/A	Spacer, Accelerator	1
18	N/A	Pivot Rod Weldment	1
19	1241	Washer, 5/16 Type A Flat	1
20	1624	Screw, 3/8-16 X 1.50 Hex-Head Cap	1
21	334	Washer, 3/8 Type A Flat	2
22	7473	Locknut, 5/16-18 Nylon Insert	1
23	8233	Locknut, 1/4-20 Nylon Insert	4
24	8717	Locknut, 1/4-28 Nylon Insert	1
25	8754	Locknut, 3/8-16 Hex	2

4
G
E

4
G
E



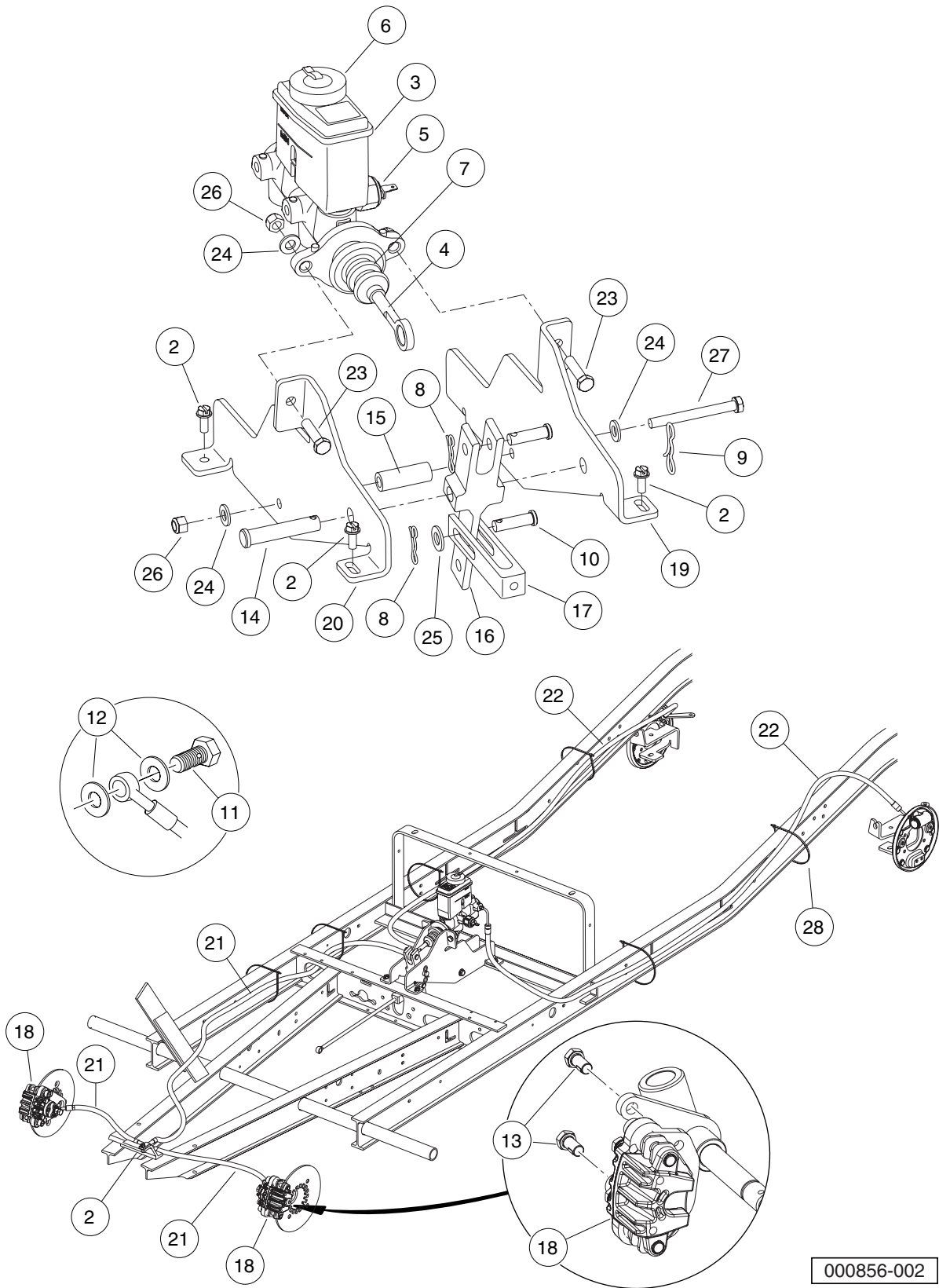
000856-001

FRONT DISC BRAKES, MASTER CYLINDER, AND BELL CRANK – CA 2

ITEM	PART NO.	DESCRIPTION	QTY
		1 2 3 4	
1	N/A	Instl, Service Brake, Hyd, Ca2 (includes items 2 through 28)	1
2	1012285	Screw, 1/4 X 0.625 Hex-Head	5
3	102033201	Master Cylinder (includes items 4 through 7)	1
4	102051201	Push Rod	1
5	102051301	Pressure Switch	1
6	102051401	Filler Cap Asm	1
7	8574	Master Cylinder Boot	1
8	102292801	Pin, Bow Tie Locking - .072	2
9	102323101	Pin, Bow Tie Locking	1
10	102323201	Pin, 3/8 X 1-5/16 Clevis	2
11	102488001	Bolt, Banjo, M10x1x19	2
12	102491601	Washer, Copper, M10 Crush	4
13	102493301	Bolt Flange Head, 3/8-24x.750 with Loctite	4
14	102519001	Pin, 1/2 X 2-1/2 Clevis	1
15	102976401	Support, Autobrake, Spacer	1
16	102976502	Bellcrank, Autobrake, Steel	1
17	102976701	Clevis, Bellcrank, Autobrake	1
18	103263101	Caliper, Front, Autobrake	2
19	103471001	Asm, Brakeline, Rear, Ca2	2
20	103480801	Brkt,ServiceBrake,L,Ca2'	1
21	103480901	Brkt,ServiceBrake,R,Ca2'	1
22	103481001	Asm, Brakeline, Front, Common	1
23	1218	Screw, 5/16-18 X 1.25 Hex-Head Cap	2
24	1241	Washer, 5/16 Type A Flat	4
25	334	Washer, 3/8 Type A Flat	1
26	7473	Locknut, 5/16-18 Nylon Insert	3
27	8915	Screw, 5/16-18 X 3.0 Hx Hd Cap	1
28	8990	Tie Wrap, 8" Nylon	8

4
G
E

4
G
E



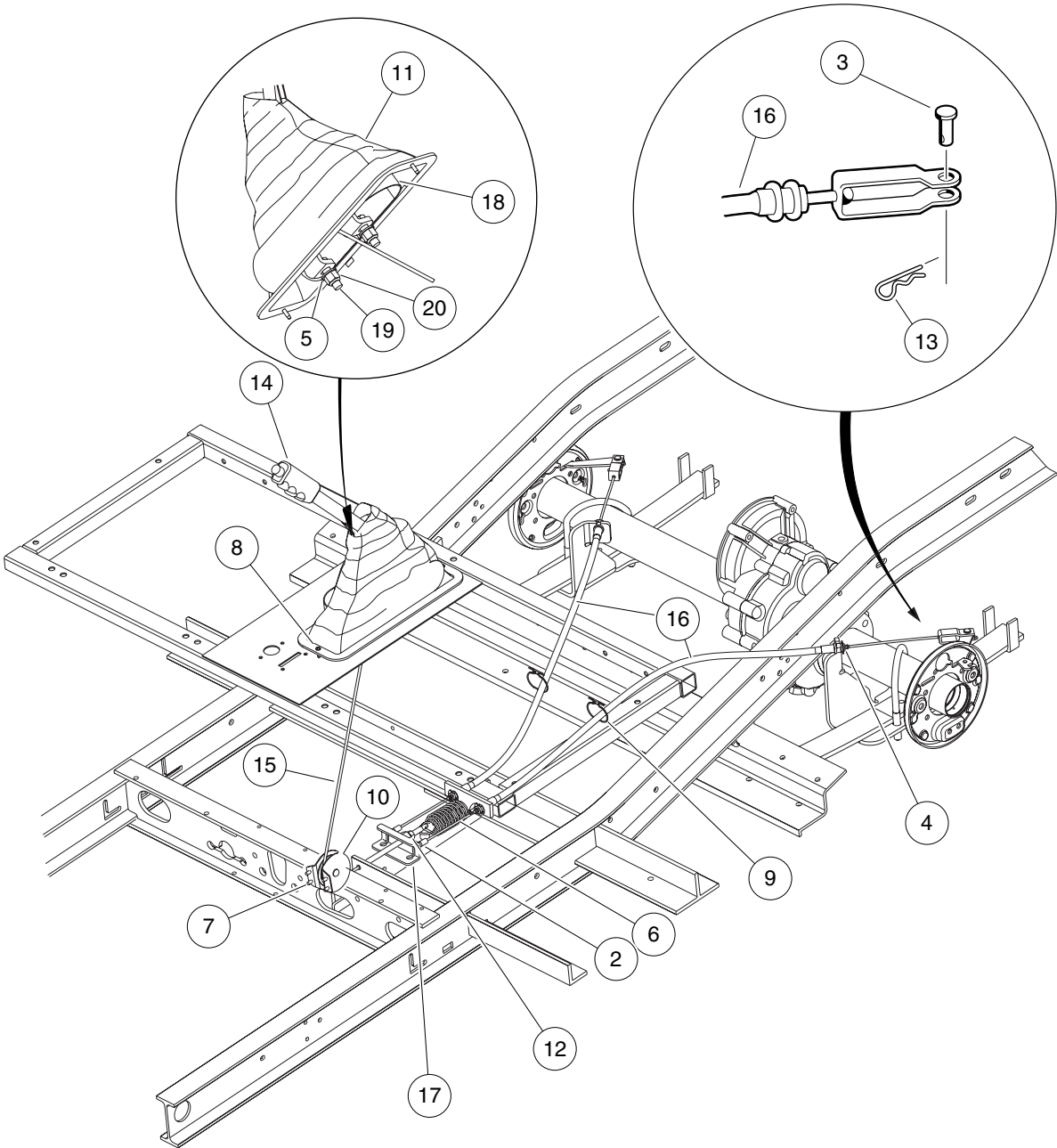
000856-002

FRONT DISC BRAKES, MASTER CYLINDER, AND BELL CRANK – CA 6

ITEM	PART NO.	DESCRIPTION	QTY
		1 2 3 4	
1	N/A	Instl, Service Brake, Hyd, Ca6 (includes items 2 through 28)	A/R
2	1012285	Screw, 1/4 X 0.625 Hex-Head	5
3	102033201	Master Cylinder (includes items 4 through 7)	1
4	102051201	Push Rod	1
5	102051301	Pressure Switch	1
6	102051401	Filler Cap Asm	1
7	8574	Master Cylinder Boot	1
8	102292801	Pin, Bow Tie Locking - .072	2
9	102323101	Pin, Bow Tie Locking	1
10	102323201	Pin, 3/8 X 1-5/16 Clevis	2
11	102488001	Bolt, Banjo, M10x1x19	2
12	102491601	Washer, Copper, M10 Crush	4
13	102493301	Bolt Flange Head, 3/8-24x.750 with Loctite	4
14	102519001	Pin, 1/2 X 2-1/2 Clevis	1
15	102976401	Support, Autobrake, Spacer	1
16	102976502	Bellcrank, Autobrake, Steel	1
17	102976701	Clevis, Bellcrank, Autobrake	1
18	103263101	Caliper, Front, Autobrake	2
19	103480801	Brkt,ServiceBrake,L,Ca2'	1
20	103480901	Brkt,ServiceBrake,R,Ca2'	1
21	103481001	Asm, Brakeline, Front, Common	1
22	103491301	Asm, Brakeline, Rear, Ca6	2
23	1218	Screw, 5/16-18 X 1.25 Hex-Head Cap	2
24	1241	Washer, 5/16 Type A Flat	4
25	334	Washer, 3/8 Type A Flat	1
26	7473	Locknut, 5/16-18 Nylon Insert	3
27	8915	Screw, 5/16-18 X 3.0 Hx Hd Cap	1
28	8990	Tie Wrap, 8" Nylon	6

4
G
E

4
G
E



000848-001

HAND BRAKE ASSEMBLY – CA 2

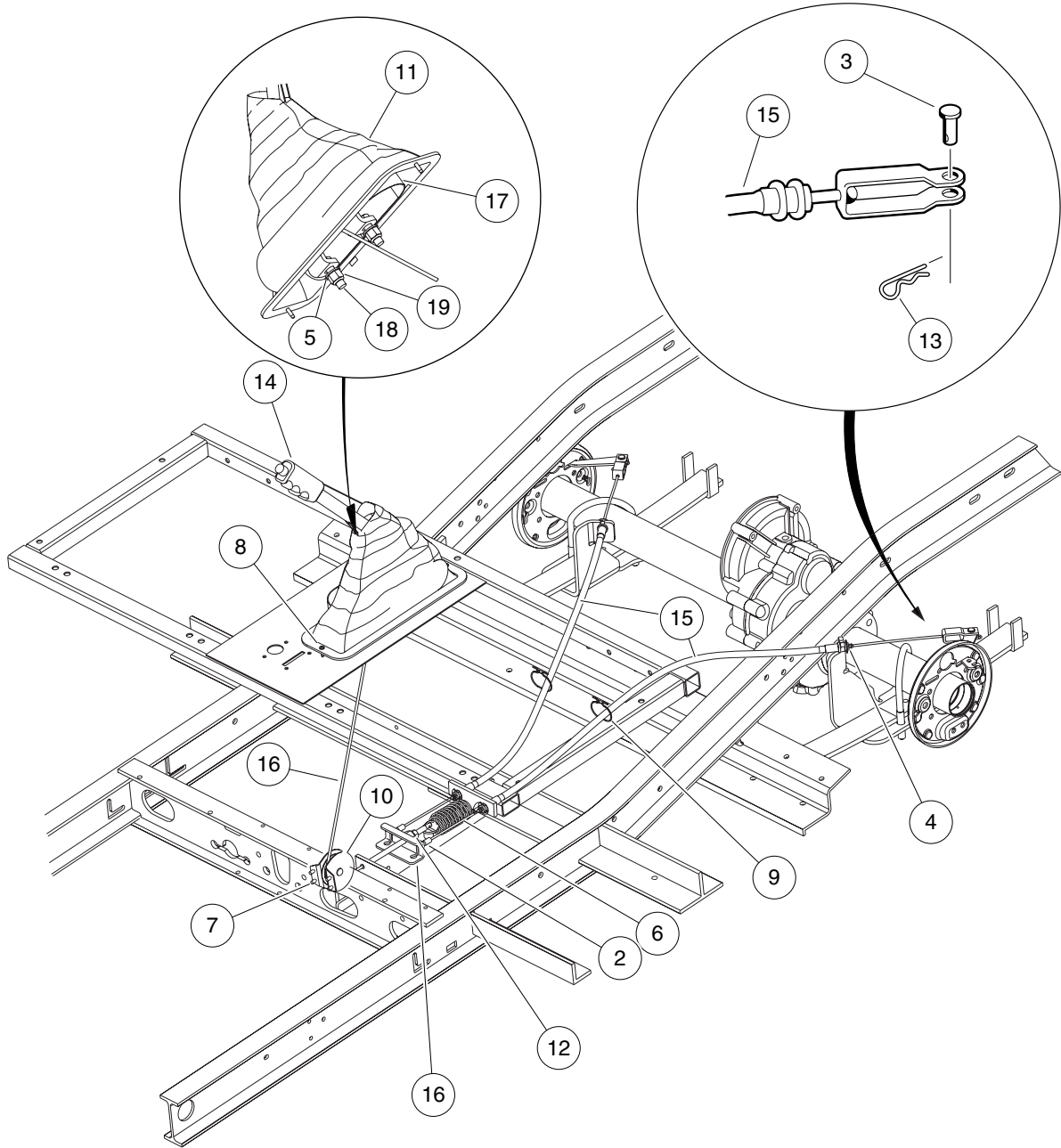
ITEM	PART NO.	DESCRIPTION	QTY
		1 2 3 4	
1	N/A	Instl, Hand Park Brake, Ca2 (includes items 2 through 20)	1
2	1010521	Nut, 5/16-24 Hex	1
3	1010829	Pin, Clevis, 5/16 X 3/4	2
4	1011779	E-Clip, 1/2	4
5	1011990	Washer, 3/8 Flat	2
6	1013531	Spring, Brake Return	1
7	1014321	Screw, #10 Truss-Head Torx	4
8	101832001	Screw, #7-19 X 0.625 Phillips Pan-Head Tap	2
9	101900801	Hanger, Brake Cable	2
10	102028302	Pulley, 2-Inch Flat Mount	1
11	102033701	Park Brake Boot	1
12	102052801	Nut, 5/16-24 Hex Cone	1
13	102292801	Pin, Bow Tie Locking - .072	2
14	102444601	Lever, Box	1
15	103480301	Cbl, Park Brake, Asm, Ctr, Ca2	1
16	103525201	Cable, Park Brake, Ca2	2
17	103525801	Equalizer, Park Brake, Ic	1
18	N/A	Shield, Boot	1
19	705	Screw, Cap-hex Hd 3/8-16x1.25	2
20	8754	Locknut, 3/8-16 Hex	2

4

G

E

4
G
E

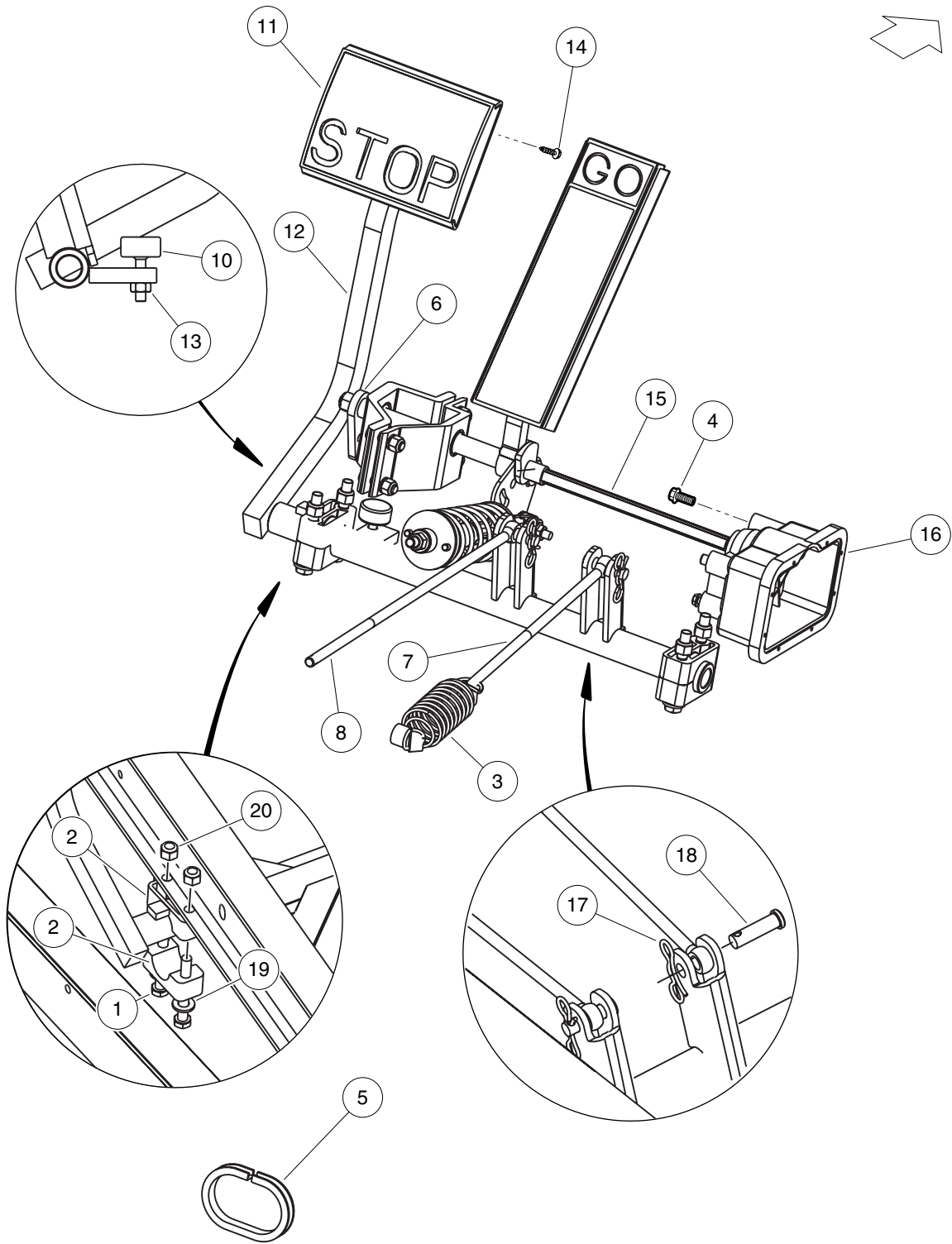


000848-002

HAND BRAKE ASSEMBLY – CA 6

ITEM	PART NO.	DESCRIPTION	QTY
		1 2 3 4	
1	N/A	Instl, Hand Park Brake, Ca6 (includes items 2 through 19)	1
2	1010521	Nut, 5/16-24 Hex	1
3	1010829	Pin, Clevis, 5/16 X 3/4	2
4	1011779	E-Clip, 1/2	4
5	1011990	Washer, 3/8 Flat	2
6	1013531	Spring, Brake Return	1
7	1014321	Screw, #10 Truss-Head Torx	4
8	101832001	Screw, #7-19 X 0.625 Phillips Pan-Head Tap	2
9	101900801	Hanger, Brake Cable	2
10	102028302	Pulley, 2-Inch Flat Mount	1
11	102033701	Park Brake Boot	1
12	102052801	Nut, 5/16-24 Hex Cone	1
13	102292801	Pin, Bow Tie Locking - .072	2
14	102444601	Lever, Box	1
15	103525301	Cable, Park Brake, Ca6	2
16	103525801	Equalizer, Park Brake, Ic	1
17	N/A	Shield, Boot	1
18	705	Screw, Cap-hex Hd 3/8-16x1.25	2
19	8754	Locknut, 3/8-16 Hex	2

4
G
E



000798-002

BRAKE PEDAL ASSEMBLY

ITEM	PART NO.	DESCRIPTION	QTY
		1 2 3 4	
1	1010921	Screw, 5/16-18 X 2.50 Hex Cap	4
2	1011402	Package, Brake Mounting Block	1
3	1013531	Spring, Brake Return	1
4	1015752	Screw, #12-16 X 0.625 Hi-Lo	2
5	101806005	I-beam Grommet - 6.75	3
6	101916901	Ratchet, Support	1
7	101953101	Rod, Equalizer	1
8	101953105	Rod, Equalizer, 13.30"	1
9	102028903	Brake Pedal Asm (includes items 10 through 14)	1
10	1010878	Bumper, Rubber	1
11	102028601	Pad, Hydraulic Brake Pedal	1
12	102028803	Brake Pedal Weld Asm	1
13	1028	Nut, 1/4-20 Hex	1
14	7716	Screw, #10-16 Type AB, Sheet Metal	4
15	102101001	Bar, Drive, Cast	1
16	102101101	MCOR	1
17	102323101	Pin, Bow Tie Locking	2
18	102323201	Pin, 3/8 X 1-5/16 Clevis	2
19	1241	Washer, 5/16 Type A Flat	4
20	7473	Locknut, 5/16-18 Nylon Insert	4

4
G
E

4

G

E

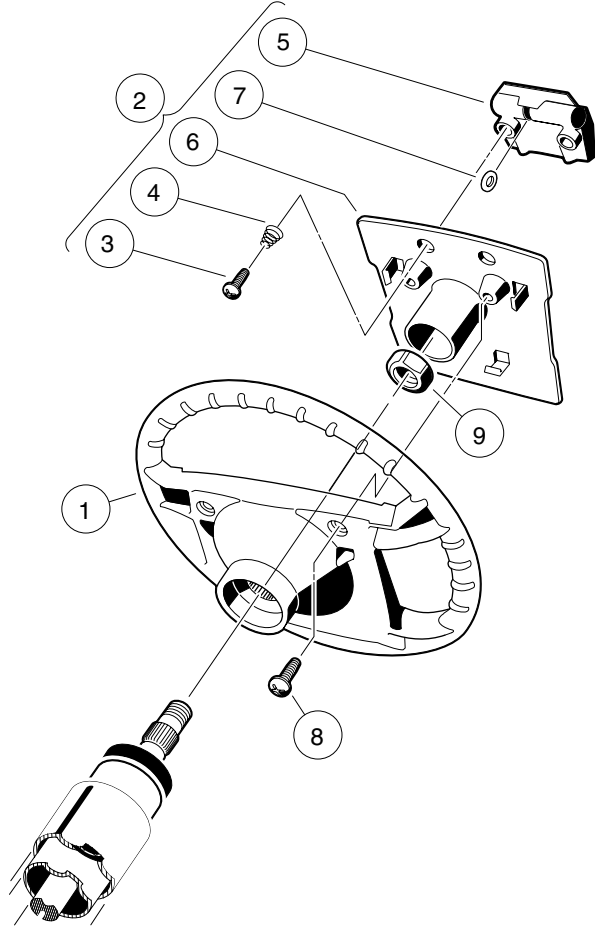
STEERING, FRONT AND REAR SUSPENSION

5

G

E

5
G
E

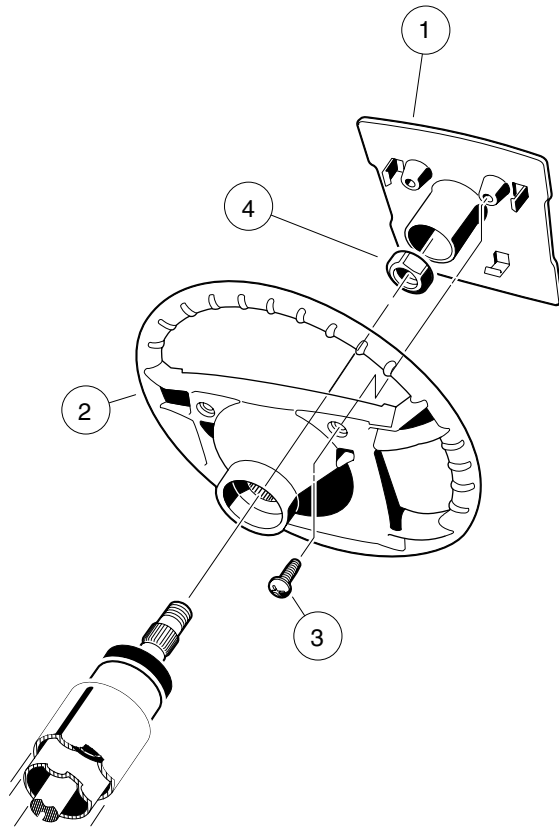


000246-002

STEERING WHEEL WITH SCORE CARD HOLDER

ITEM	PART NO.	DESCRIPTION	QTY
		1 2 3 4	
1	1016156	Wheel, Steering	1
2	1016219	Plate, Scorecard (includes items 3 through 7)	1
3	1012565	Screw, #12 Phillips Round Head	2
4	1012566	Tapered Compression Spring	2
5	1016154	Clip, Scorecard	1
6	N/A	Plate, Score Card	1
7	1016214	Pencil Grip	1
8	1016663	Screw, #12-14 X 0.625	2
9	1017273	Nut, 5/8-18 Nylon Insert Jam	1

5
G
E



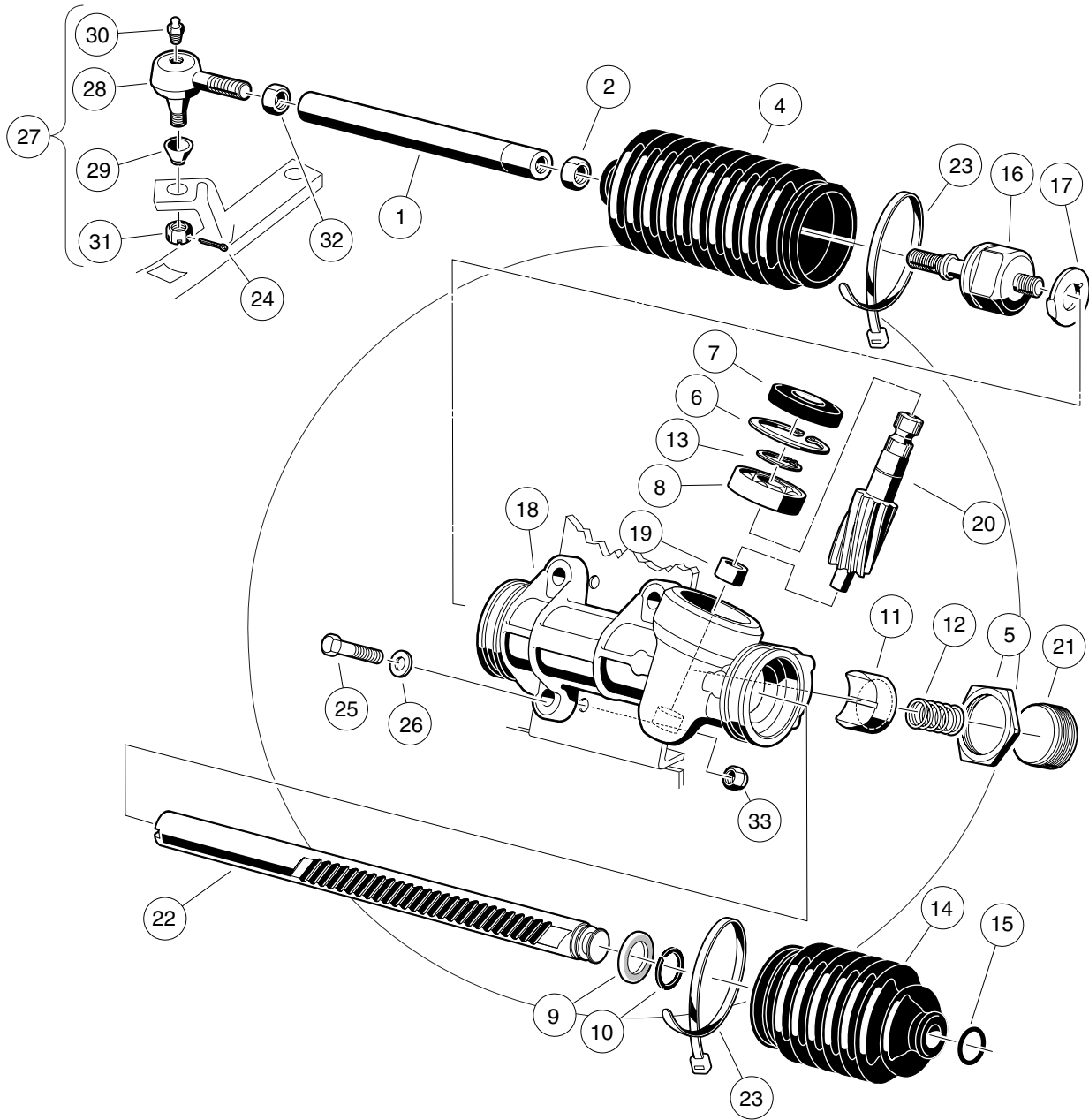
000246-003

STEERING WHEEL WITHOUT SCORE CARD HOLDER

ITEM	PART NO.	DESCRIPTION	QTY
		1 2 3 4	
1	101615504	Plate, Scorecard	1
2	1016156	Wheel, Steering	1
3	1016663	Screw, #12-14 X 0.625	2
4	1017273	Nut, 5/8-18 Nylon Insert Jam	1

5
G
E

5
G
E

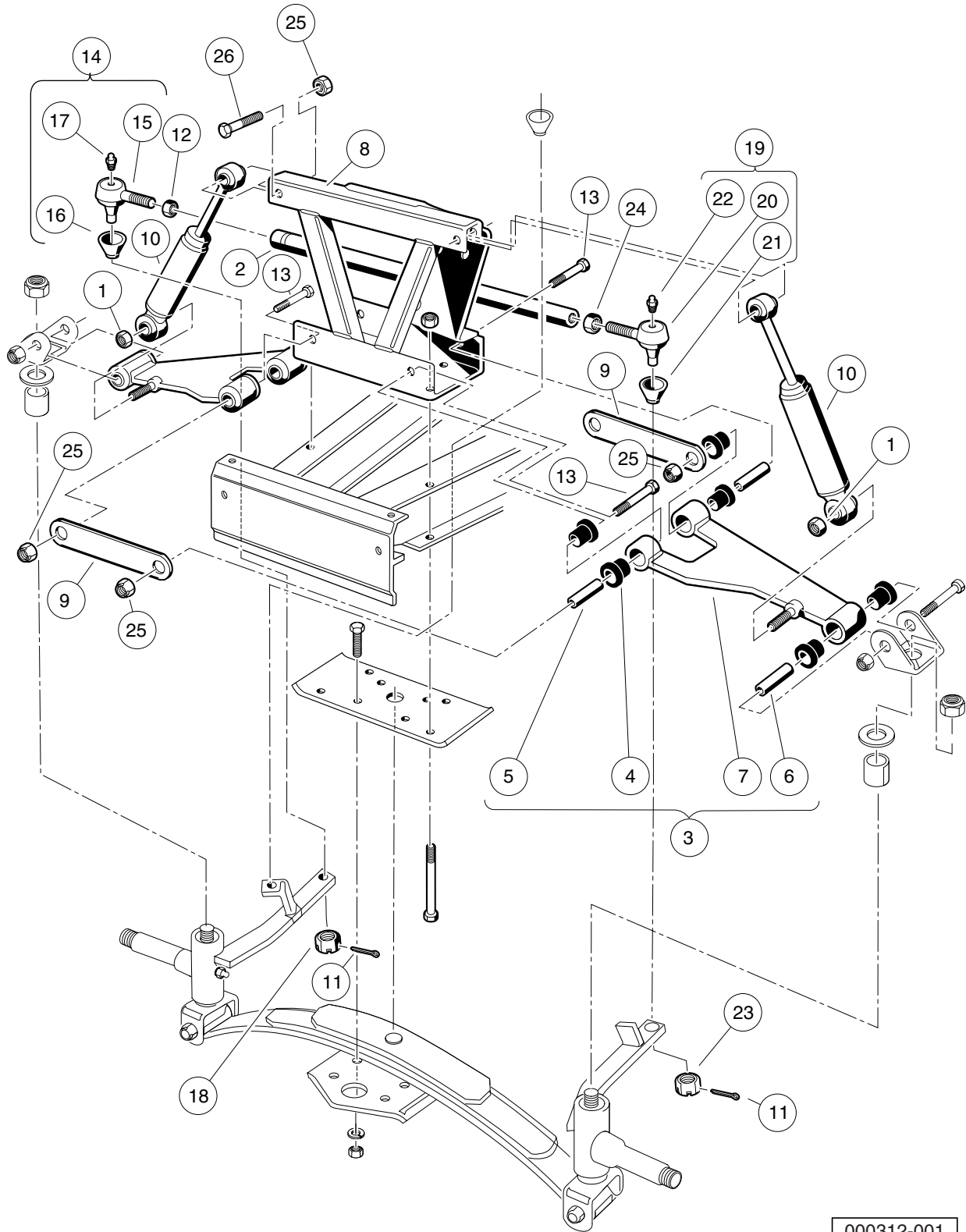


000189-001

STEERING GEAR ASSEMBLY

ITEM	PART NO.	DESCRIPTION	QTY	5
		1 2 3 4		G
1	1012467	Link, Rack and Pinion Drag	1	E
2	1013042	Nut, 12mm Hex	1	
3	101878302	Steering Gear Assembly (without yoke) (includes items 4 through 23)	1	
4	1013035	Bellows, Long	1	
5	1013044	Rack Screw Locknut	1	
6	1013051	Snap Ring	1	
7	1013052	Seal, Steering Pinion Dust	1	
8	101879401	Bearing, Ball	1	
9	101879501	Stop Washer	1	
10	101879601	Stop Ring, C-Type	1	
11	101879701	Support Yoke	1	
12	101879801	Rack Guide Pressure Spring	1	
13	101879901	Ring, Stop, C-Type	1	
14	101880001	Bellows, Short	1	
15	101880101	Dust Seal Retaining Ring	1	
16	101880201	Inner Ball Joint Asm	1	
17	101880301	Washer, Tab	1	
18	N/A	Box, Steering Gear	1	
19	N/A	Bearing, Lower Pinion	1	
20	N/A	Pinion, Steering	1	
21	N/A	Screw, Rack Guide	1	
22	N/A	Rack, Steering	1	
23	8990	Tie Wrap, 8" Nylon	2	
24	1035	Cotter Pin, 3/32 x 1	1	
25	1624	Screw, 3/8-16 X 1.50 Hex-Head Cap	3	
26	334	Washer, 3/8 Type A Flat	3	
27	7540	Ball Joint, Left (includes items 28 through 31)	1	
28	N/A	Socket, LH Vertical	1	
29	1011930	Seal, Vertical Socket Dust	1	
30	1015597	Fitting, 1/4-28 Thread-Forming Grease	1	
31	7602	Nut, 3/8-24 UNF Hex	1	
32	7555	Nut, 1/2-20 Hex, Left-Hand Thread	1	
33	8754	Locknut, 3/8-16 Hex	3	

5
G
E



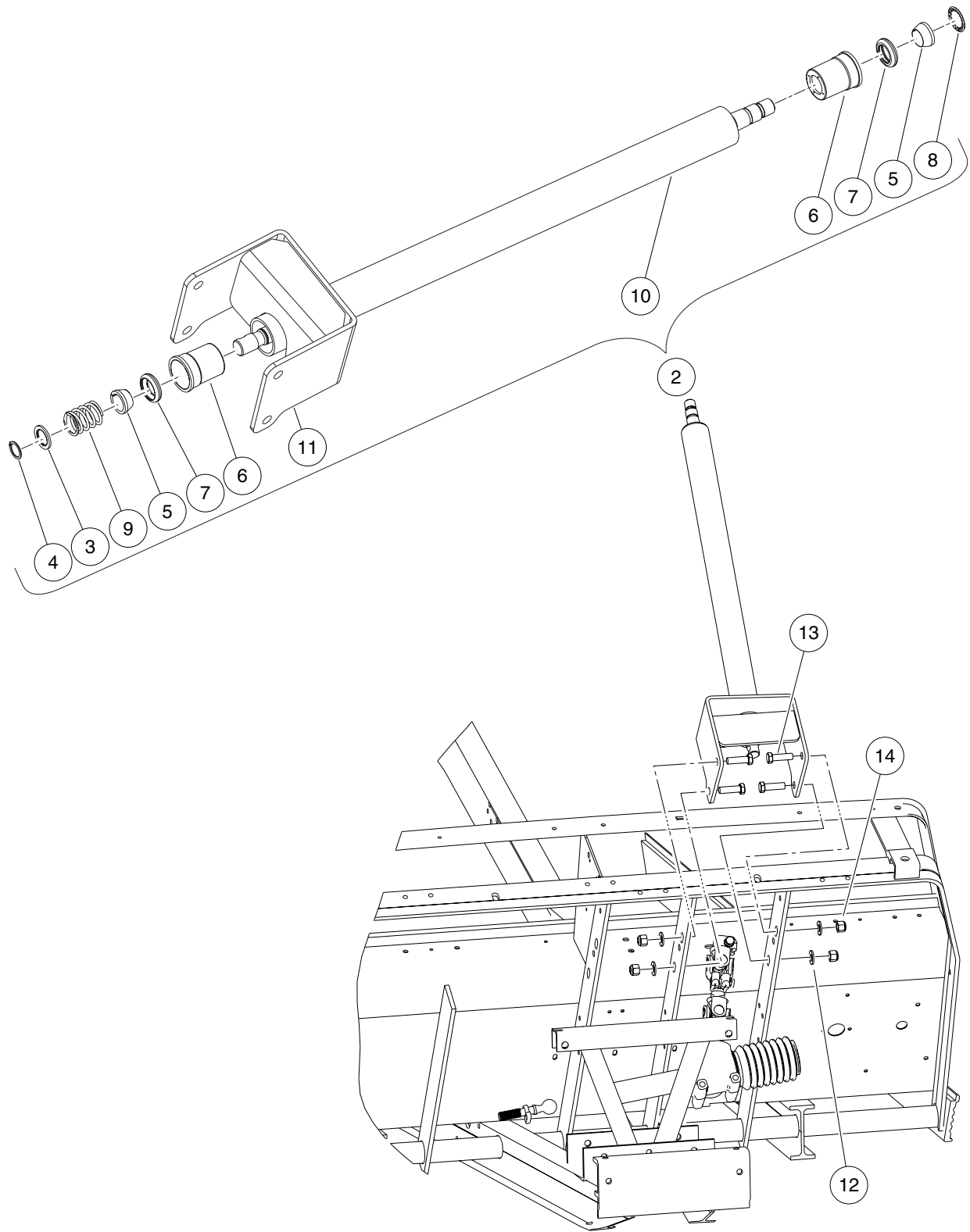
000312-001

FRONT SUSPENSION, UPPER

ITEM	PART NO.	DESCRIPTION	QTY
		1 2 3 4	
1	1010138	Locknut, 3/8-16 Dimpled	2
2	1010219	Tie Rod	1
3	1016353	Sub-Assembly, Delta A-Plate (includes items 4 through 7)	2
4	1016346	Bushing, Urethane	6
5	1016349	Sleeve, Delta Inner	2
6	1016350	Sleeve, Delta Outer	1
7	N/A	Delta A-Plate	1
8	1016385	Delta Shock and Gear Support Assembly	1
9	1017266	A-Plate Strap	2
10	103351001	Shock Absorber, Front, Common	2
11	1035	Cotter Pin, 3/32 x 1	2
12	1308	Nut, 1/2-20 Hex	1
13	2402	Screw, 3/8-16 X 2.25 Hx Hd Cap	4
14	7539	Ball Joint, Right-Hand (includes items 15 through 18)	1
15	N/A	Socket, RH Vertical	1
16	1011930	Seal, Vertical Socket Dust	1
17	1015597	Fitting, 1/4-28 Thread-Forming Grease	1
18	7602	Nut, 3/8-24 UNF Hex	1
19	7540	Ball Joint, Left (includes items 20 through 23)	1
20	N/A	Socket, LH Vertical	1
21	1011930	Seal, Vertical Socket Dust	1
22	1015597	Fitting, 1/4-28 Thread-Forming Grease	1
23	7602	Nut, 3/8-24 UNF Hex	1
24	7555	Nut, 1/2-20 Hex, Left-Hand Thread	1
25	8754	Locknut, 3/8-16 Hex	6
26	8861	Bolt, 3/8-16 X 1.75 Hex	2

5
G
E

5
G
E



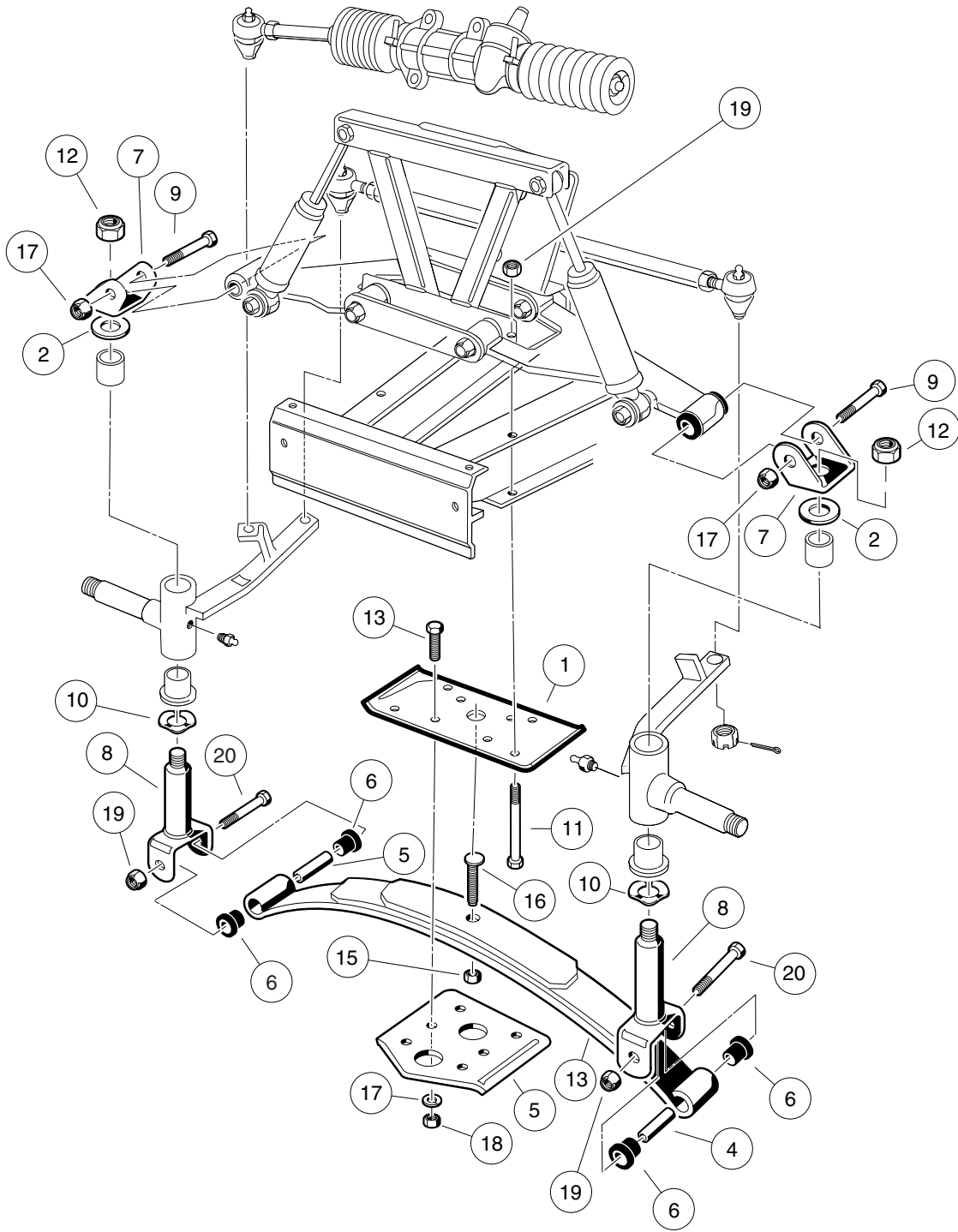
000753-001

STEERING COLUMN

ITEM	PART NO.	DESCRIPTION	QTY
		1 2 3 4	
1	N/A	Instl, Steering Column (includes items 2 through 14)	1
2	103232101	Assy, Steering Column, Short (includes items 3 through 11)	1
3	1012604	Washer, 0.675 ID X 1.19 OD	1
4	1012605	Ring, 0.579 Internal Retaining	1
5	1014125	Wedge, Molded	2
6	1014126	Seat, Plastic Bearing	2
7	1014213	Bearing, Ball	2
8	1014214	Ring, Retaining	1
9	1014217	Spring, Steering Shaft	1
10	101731502	Shaft, Steering, 667.8 Oal	1
11	103232201	Weldment, Column, Short	1
12	334	Washer, 3/8 Type A Flat	4
13	705	Screw, Cap-hex Hd 3/8-16x1.25	4
14	8754	Locknut, 3/8-16 Hex	4

5
G
E

5
G
E



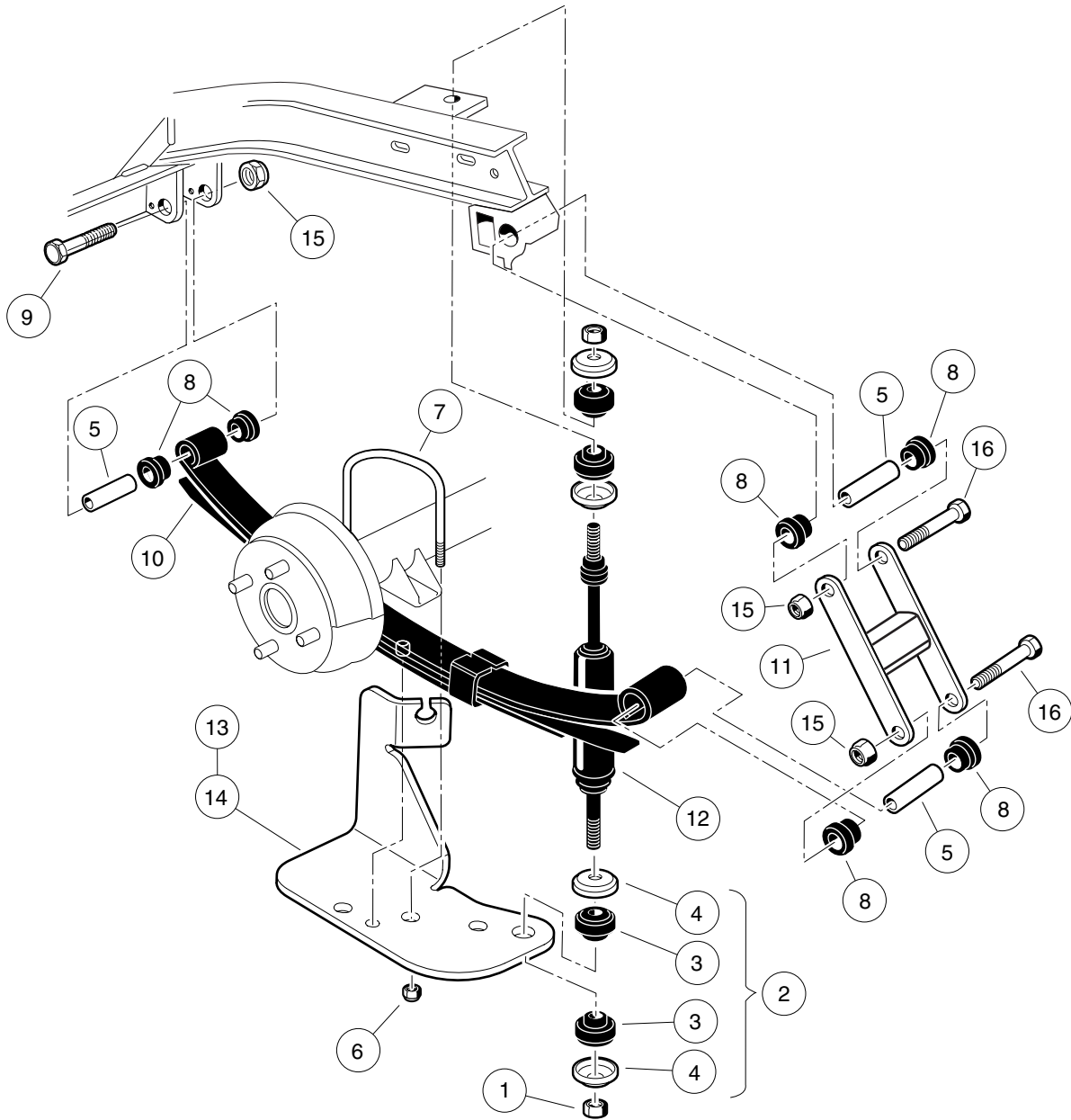
000311-002

FRONT SUSPENSION, LOWER

ITEM	PART NO.	DESCRIPTION	QTY
		1 2 3 4	
1	1010124	Plate, Spring Mount	1
2	1010150	Bearing, Thrust	2
3	1010200	Bolt, 3/8-16 X 4.25 Hex Head	4
4	1012303	Bushing, Steel	2
5	1014276	Plate, Front Spring Retainer	1
6	1015583	Bushing, Urethane	4
7	1016384	Clevis, Delta Upper	2
8	1016386	King Pin Assembly	2
9	1016387	Screw, 3/8-16 X 2.75 Hx Hd Cap	2
10	1016389	Washer, 1.125 Od Wave	2
11	101870501	Screw, 3/8-16 X 4.75 Hx Hd Cap	4
12	101903101	Locknut, 1/2-20 Nylon Insert	2
13	102197901	Spring, Front Utility (includes items 14 through 16)	1
14	N/A	Spring, 3-Leaf	1
15	706	Nut, Hex 3/8-16	1
16	8745	Screw, Eccentric Adjustment	1
17	357	Washer, Lock, Hel Sp 3/8 Reg	4
18	706	Nut, Hex 3/8-16	4
19	8754	Locknut, 3/8-16 Hex	8
20	8755	Screw, 3/8-16 X 3.375 Hex Cap	2

5
G
E

5
G
E



000309-006

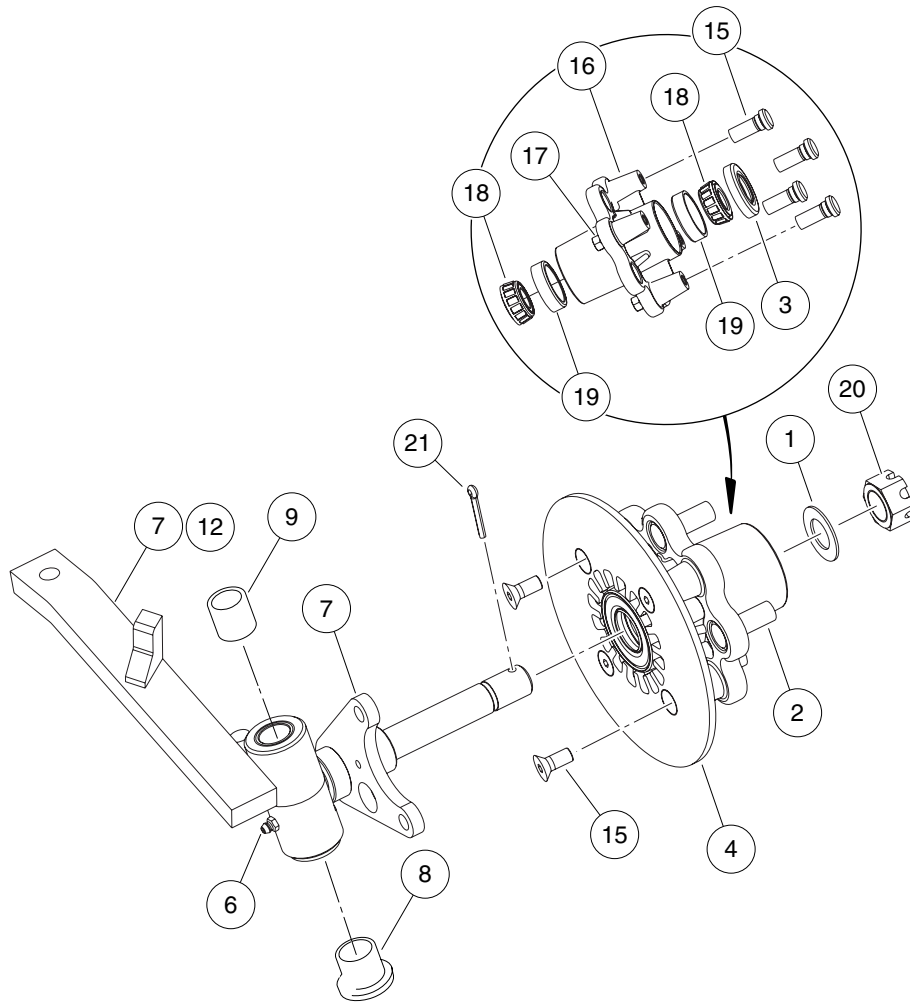
REAR SUSPENSION

ITEM	PART NO.	DESCRIPTION	QTY
		1 2 3 4	
1	1010145	Nut, 3/8-24 Hex	4
2	1011415	Kit, Shock Absorber Cushion (includes items 3 and 4)	1
3	N/A	Cushion, Shock Absorber	2
4	N/A	Retainer, Shock Absorber Cushion	2
5	1012303	Bushing, Steel	2
6	1014555	Locknut, 7/16-14 Nylon Insert	4
7	1014902	U-Bolt	2
8	1015583	Bushing, Urethane	4
9	102066201	Screw, 3/8-16 X 3.50 Hex Cap	2
10	102871801	Spring, Multi Leaf	2
11	102917101	Weldment, Shackle	2
12	103351101	Shock, Absorber, Utility	2
13	103524601	Brkt, Shock Mount Rh, lc	1
14	103524701	Brkt, Shock Mount Lh, lc	1
15	8754	Locknut, 3/8-16 Hex	6
16	8755	Screw, 3/8-16 X 3.375 Hex Cap	4
<p>Note: Only the driver-side rear suspension is shown. Parts for the passenger-side rear suspension are identical except for the leaf spring/shock mounting plate.</p>			

5

G

E



000804-002

SPINDLES AND HUBS

ITEM	PART NO.	DESCRIPTION	QTY
		1 2 3 4	
1	1010005	Washer, 3/4 Flat	1
2	N/A	50-20 Lug Stud	4
3	1013135	Seal, Double Lip	1
4	102949701	Rotor, Disc	1
5	103194101	Spindle, Disc Asm Left (includes items 6 through 9)	1
6	1015597	Fitting, 1/4-28 Thread-Forming Grease	1
7	103193901	Asm, Spindle -lh Disc	1
8	7048	Bushing, Flanged Bronze	1
9	8067	Bushing, Bronze Spindle	1
10	103194201	Spindle, Disc Asm Right (includes items 11 through 14)	1
11	1015597	Fitting, 1/4-28 Thread-Forming Grease	1
12	103194001	Asm, Spindle -rh Disc	1
13	7048	Bushing, Flanged Bronze	1
14	8067	Bushing, Bronze Spindle	1
15	103196202	5/16-18x1.75, Bolt, Loctite	4
16	103448501	Hub, Front, Disc Brake	1
17	1242	Nut, 5/16-18 Hex	4
18	N/A	Bearing, Front Hub Wheel	2
19	N/A	Race, Front Hub Bearing	2
20	7840	Nut, 3/4-16 Hex Slotted	1
21	7910	Pin, 5/32 X 1.00 Cotter	1

5
G
E

5

G

E

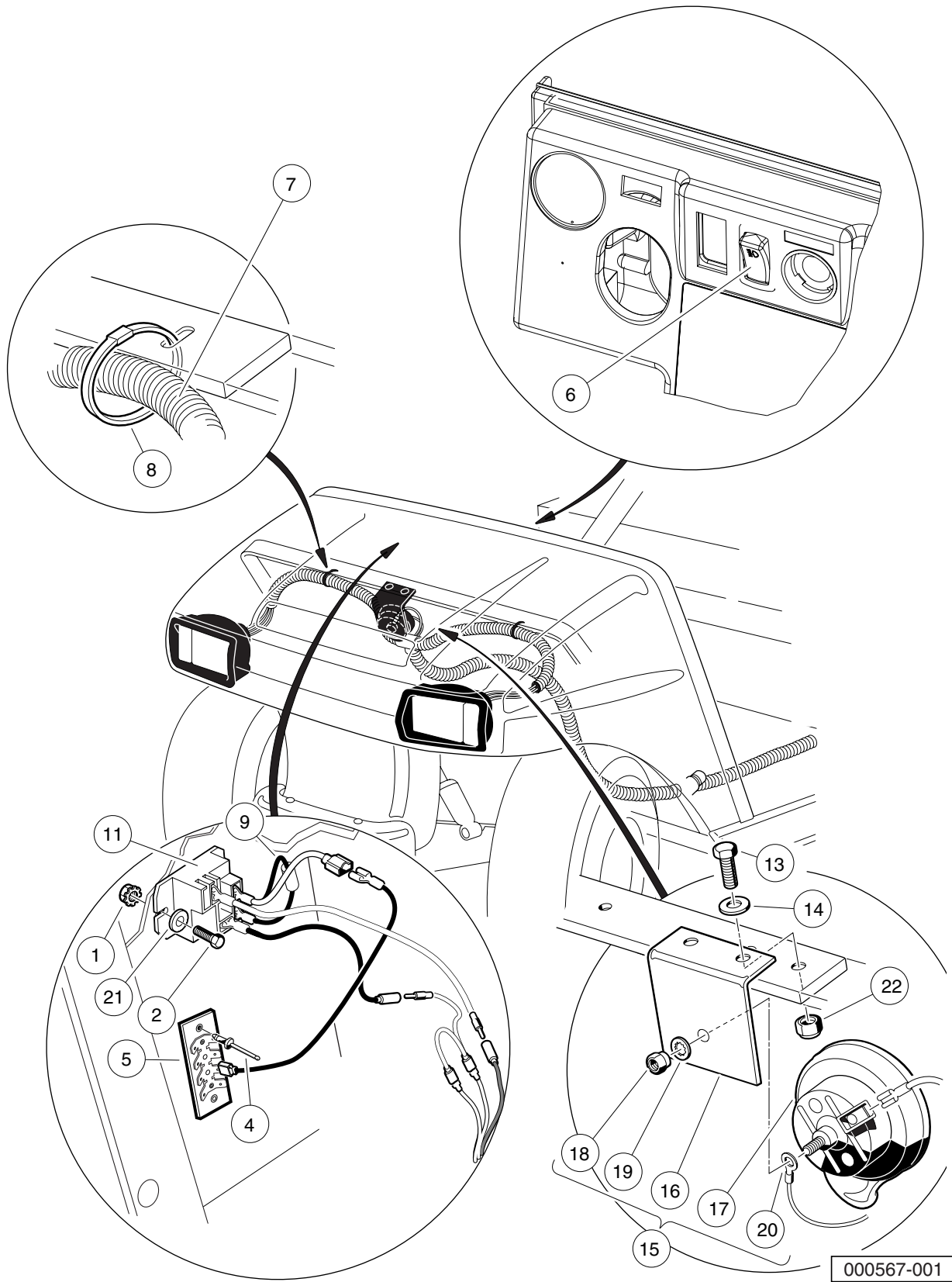
ELECTRICAL SYSTEM

6

E

6

E



HEADLIGHT AND HORN ELECTRICAL COMPONENTS

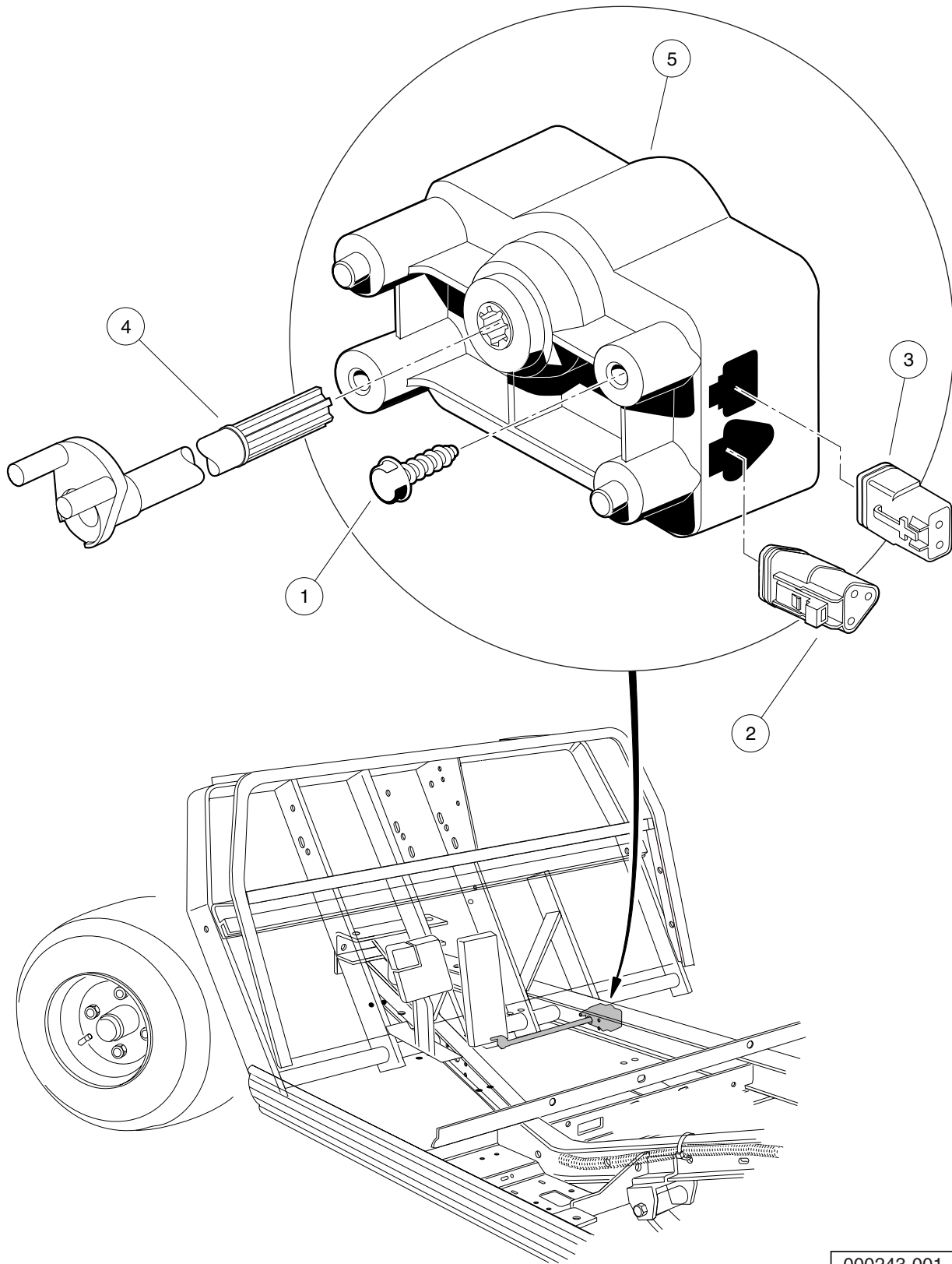
ITEM	PART NO.	DESCRIPTION	QTY
		1 2 3 4	
1	1011229	Locknut, #6-32 Whiz	2
2	1017853	Screw, #6-32 X 0.75 Hex-Head Machine	2
3	N/A	Headlight Only, IQ Plus (includes items 4 through 8)	1
4	1013357	Rivet, 5/32 Aluminum Pop	2
5	1016356	Terminal Block with Insulator	1
6	102869401	Switch, Rocker, Light	1
7	103255701	Wire Harness, Hd Lght, Ca, Ele	1
8	8990	Tie Wrap, 8" Nylon	8
9	101914401	Assembly, Voltage Suppressor	1
10	103414901	Kit, Relay, 48v 30a W/instr (includes items 11 and 12)	1
11	103397901	Relay, Spst No, 48v 30a, Pmt	1
12	103415001	Kit, Relay, 48v 30a Instrns	1
13	304	Screw, 1/4-20 X 1.0 Hex-Head Cap	2
14	332	Washer, 1/4 Type A Narrow Flat	2
15	4029	Horn (includes items 16 through 20)	1
16	1011825	Horn Bracket	1
17	N/A	Horn, 12-VDC	1
18	101955101	Nut, M6 Hex	1
19	7820	Washer, 5/16 Internal-Tooth	1
20	N/A	5/16 Ring Term.	1
21	7591	Washer, #6 Flat	2
22	8233	Locknut, 1/4-20 Nylon Insert	2

6

E

6

E



000243-001

MOTOR CONTROLLER OUTPUT REGULATOR (MCOR)

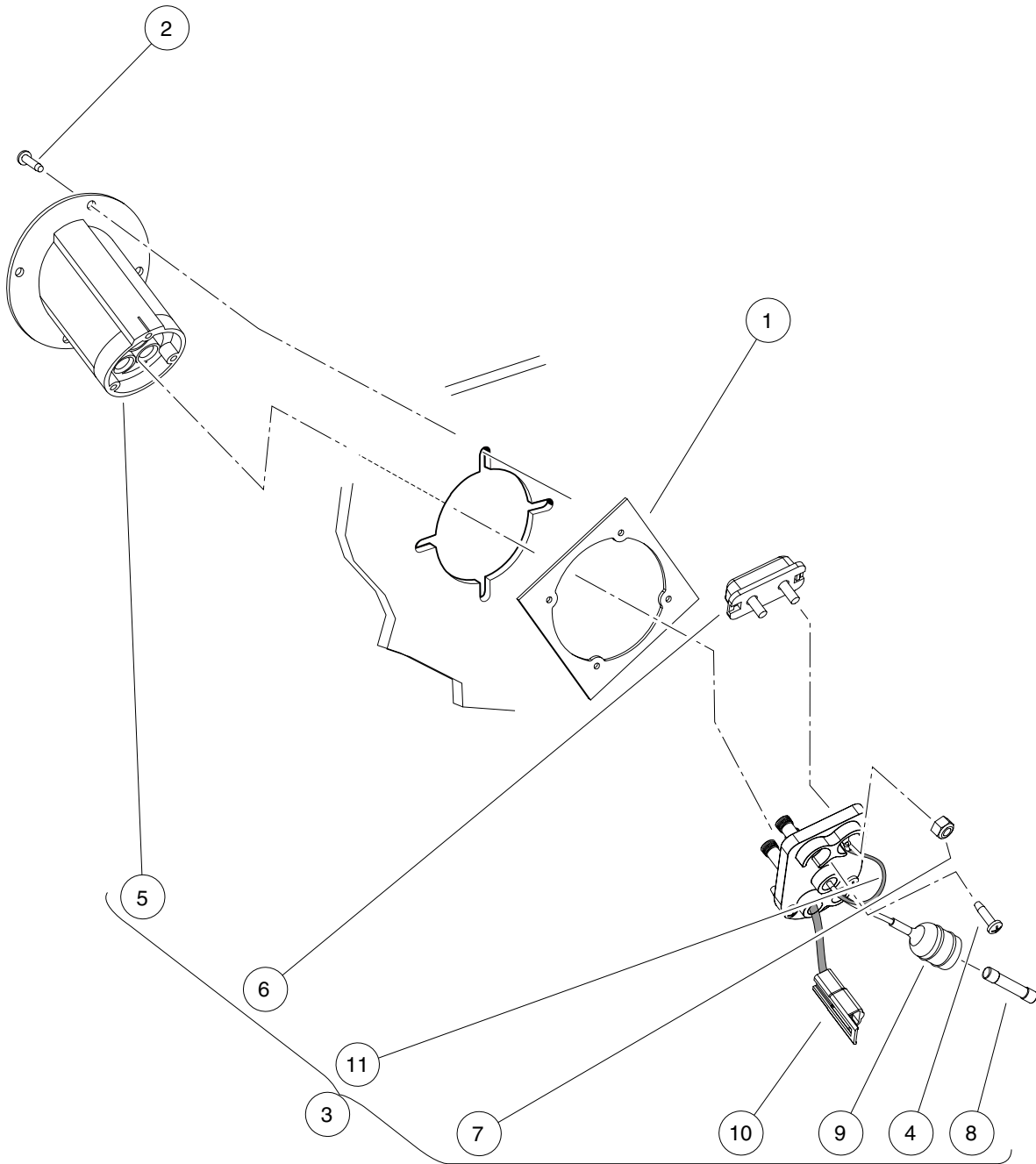
ITEM	PART NO.	DESCRIPTION	QTY
		1 2 3 4	
1	1015752	Screw, #12-16 X 0.625 Hi-Lo	2
2	101920101	Kit, 3-Pin Wedge Lock	1
3	101936801	Kit, 2-Pin Wedge Lock	1
4	102101001	Bar, Drive, Cast	1
5	102101101	MCOR	1

6

E

6

E



000369-002

BATTERY CHARGER RECEPTACLE

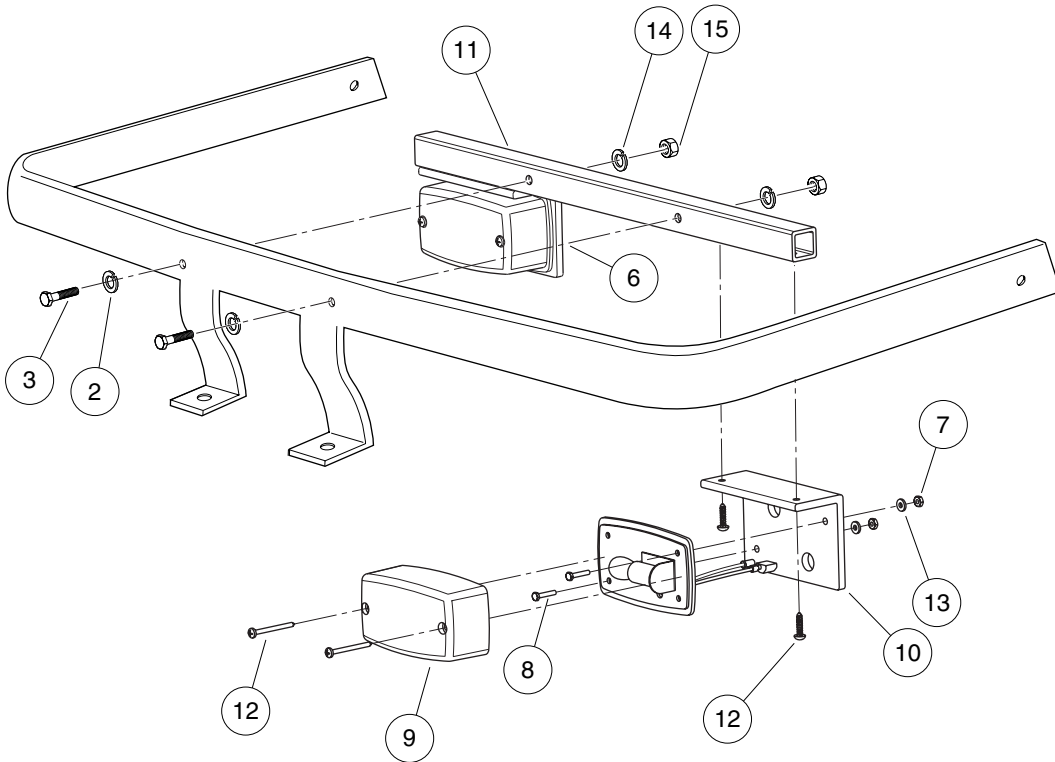
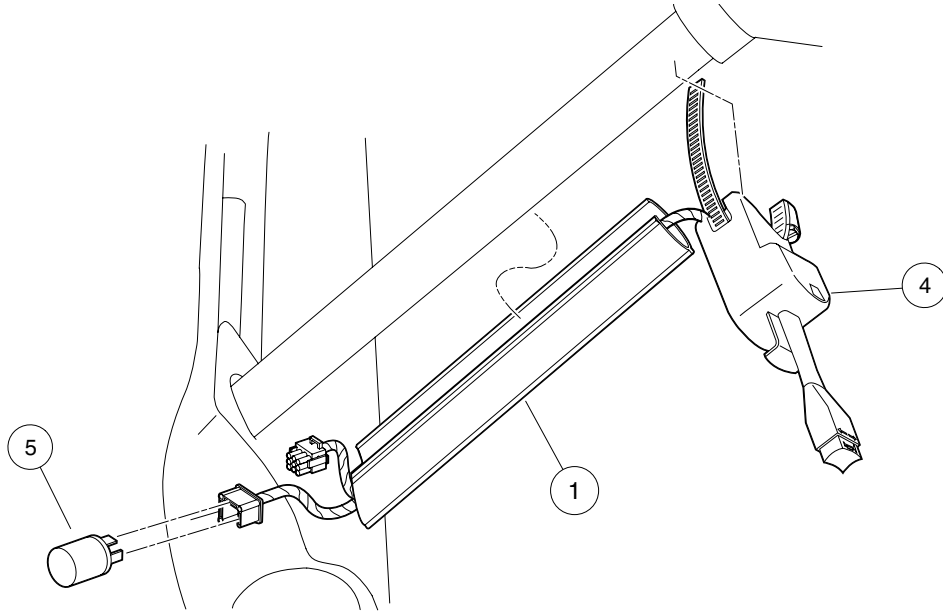
ITEM	PART NO.	DESCRIPTION	QTY
		1 2 3 4	
1	101801001	Plate, Receptacle Backing	1
2	101832001	Screw, #7-19 X 0.625 Phillips Pan-Head Tap	4
3	102848701	Fuse and Receptacle Assembly (includes items 4 through 11)	1
4	1017705	Screw, #8 X 5/8 Phillips Pan-Head Type AB	3
5	101796501	Receptacle	1
6	101796801	Fuse Assembly (includes item 7)	1
7	1013061	Locknut, #10-32 Nylon Insert	2
8	101894901	Fuse, 3/8-Amp	1
9	N/A	Wire Assembly, Sense Lead, Gray	1
10	N/A	Wire Assembly, #10 Red	1
11	N/A	Wire Assembly, #10 Black	1

6

E

6

E



000849-001

TURN SIGNALS

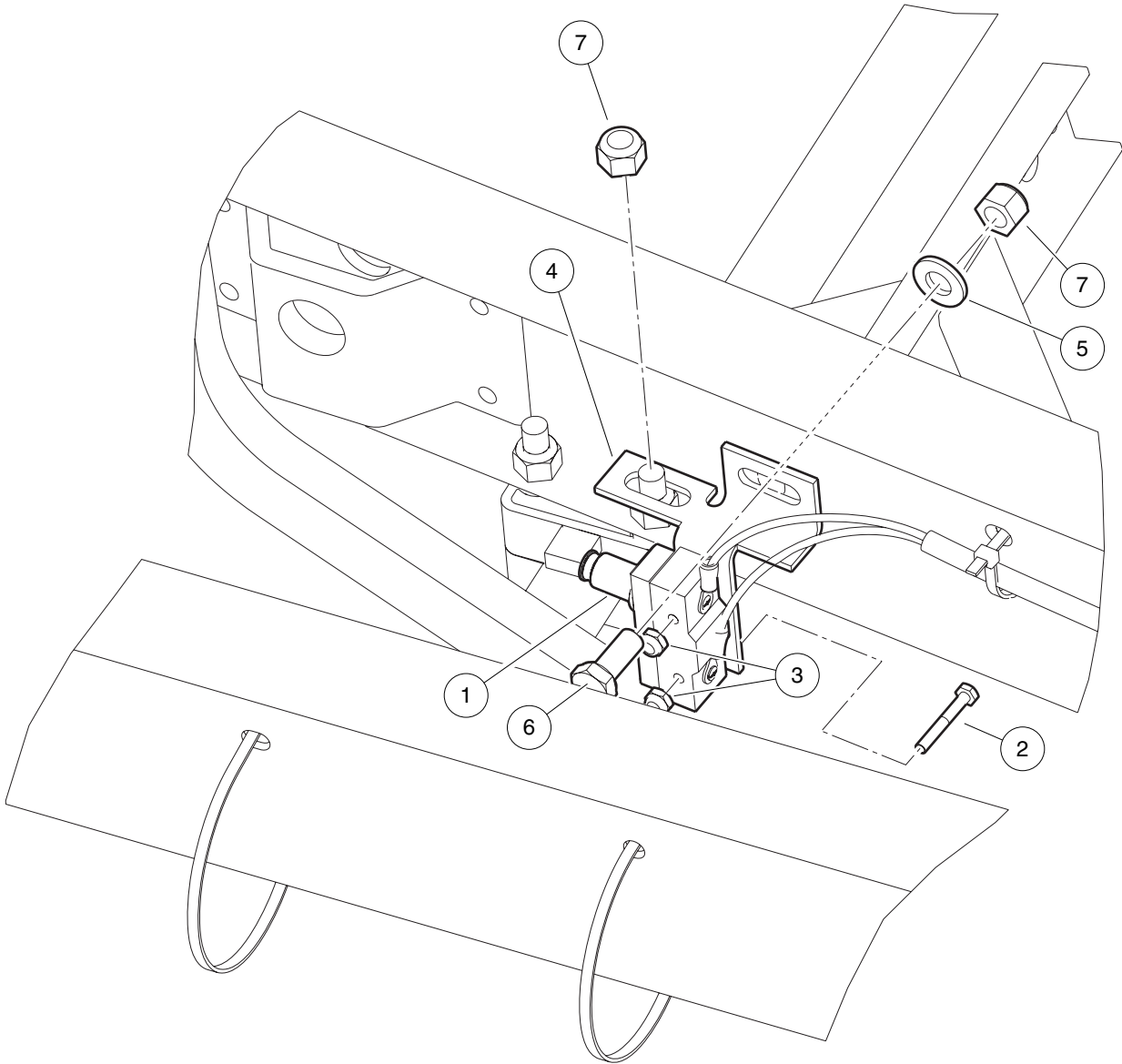
ITEM	PART NO.	DESCRIPTION	QTY
		1 2 3 4	
1	101149202	Cover, Steering Clmn Wire, 12"	1
2	1011931	Washer, 1/4 Flat	2
3	1014201	Screw, 1/4-20 X 2.25 Hex Cap	2
4	102517501	Turn Signal Asm	1
5	102546401	Flasher Unit, Prec	1
6	103501201	Asm, Turn Signal, Mounted (includes items 7 through 13)	1
7	1011558	Nut, #6-32 Hex	4
8	1017853	Screw, #6-32 X 0.75 Hex-Head Machine	4
9	103484101	Asm, Turn Signal, Amber	2
10	103501001	Brkt, Mtg, Turn Signal	2
11	103501101	Tube, Mtg, Turn Signal	1
12	1606	Rivet, 3/16 X .500 Alum Pop	4
13	7591	Washer, #6 Flat	4
14	332	Washer, 1/4 Type A Narrow Flat	2
15	8233	Locknut, 1/4-20 Nylon Insert	2

6

E

6

E



000809-001

BRAKE PEDAL SWITCH

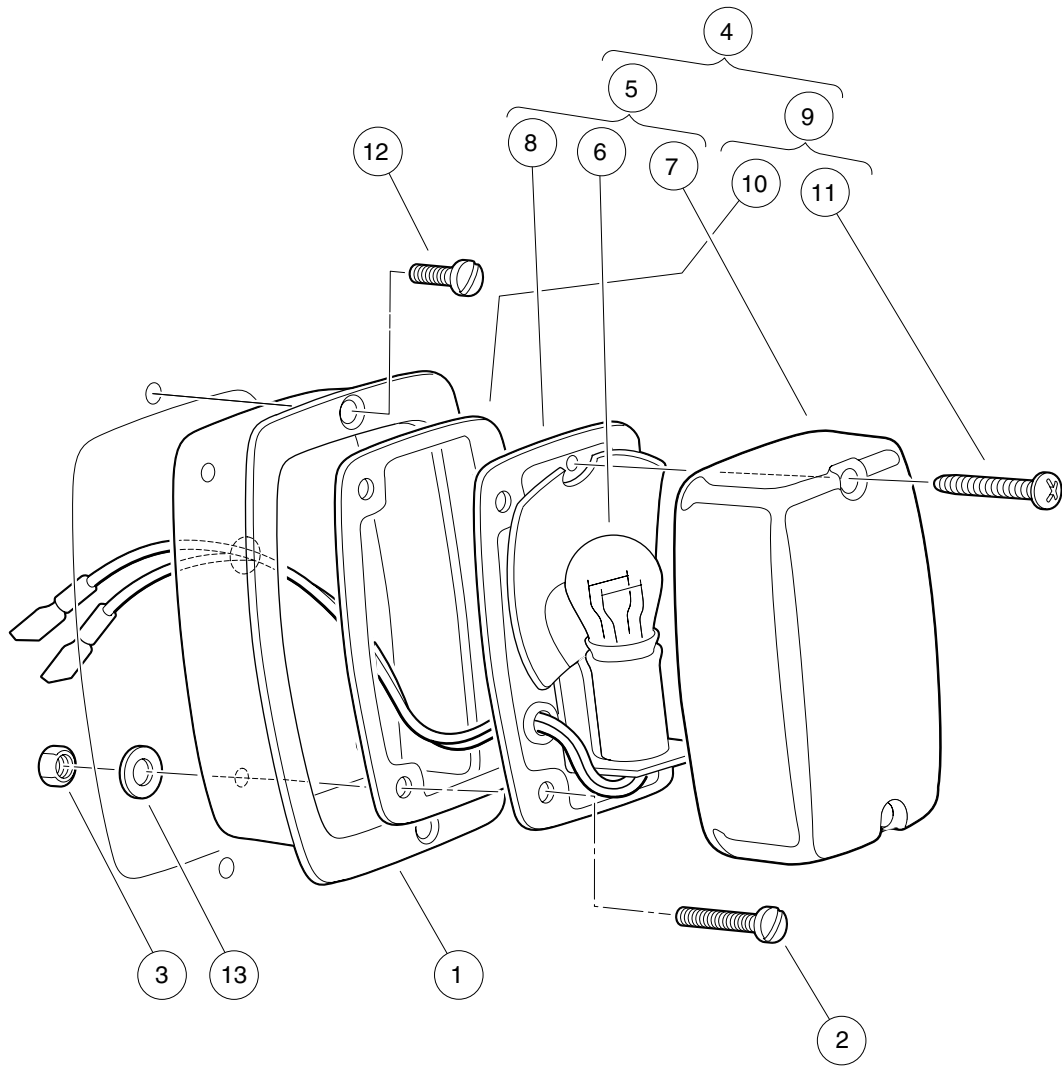
ITEM	PART NO.	DESCRIPTION	QTY
		1 2 3 4	
1	1011439	Switch, Limit	1
2	1011557	Screw, #6-32 X 1.00 Hex-Head Machine	2
3	101932201	Locknut, #6-32 Nylon	2
4	101957101	Bracket, Brake Light Switch	1
5	1241	Washer, 5/16 Type A Flat	1
6	7173	Screw, 5/16-18 X 0.75 Hex-Head Cap	1
7	7473	Locknut, 5/16-18 Nylon Insert	2

6

E

6

E



000348-006

TAIL LIGHTS

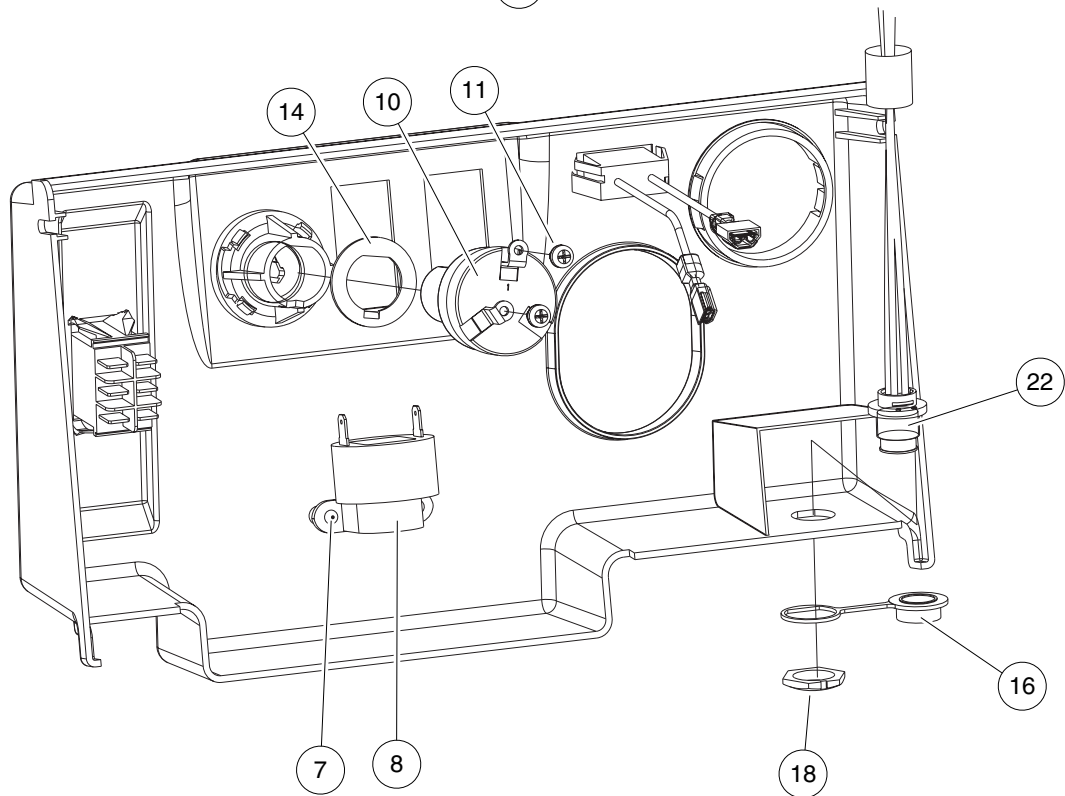
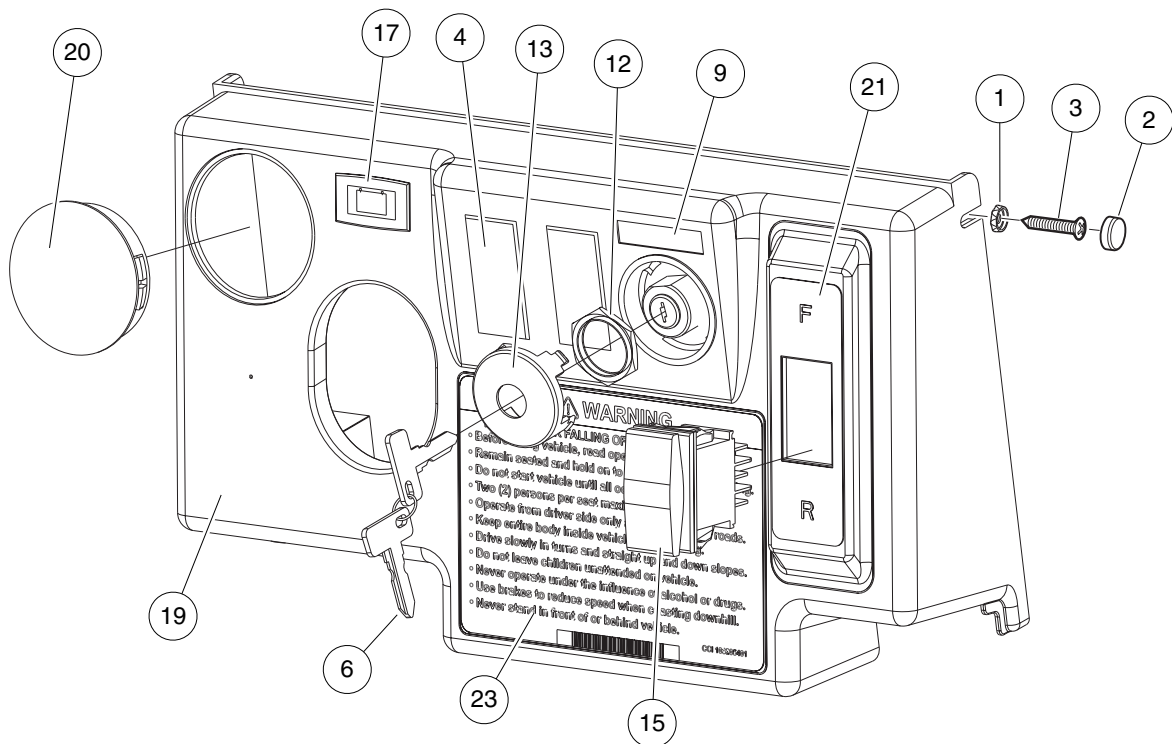
6

E

ITEM	PART NO.	DESCRIPTION	QTY
		1 2 3 4	
1	1011497	Bezel, Taillight	A/R
2	1011557	Screw, #6-32 X 1.00 Hex-Head Machine	A/R
3	1011558	Nut, #6-32 Hex	A/R
4	1017035	Taillight Assembly (includes items 5 through 9)	A/R
5	N/A	Light, Tail (includes items 6 through 8)	1
6	1011582	Taillight Bulb	1
7	1011843	Taillight Lens	1
8	N/A	Base, Taillight	1
9	1017699	Hardware Kit, Tail Light (includes items 10 and 11)	1
10	N/A	Gasket	1
11	N/A	Screw, Tapered	2
12	102915601	Plastic Rivet - Tuflock	A/R
13	7591	Washer, #6 Flat	A/R

6

E



000577-007

INSTRUMENT PANEL AND ELECTRICAL COMPONENTS – CA 2

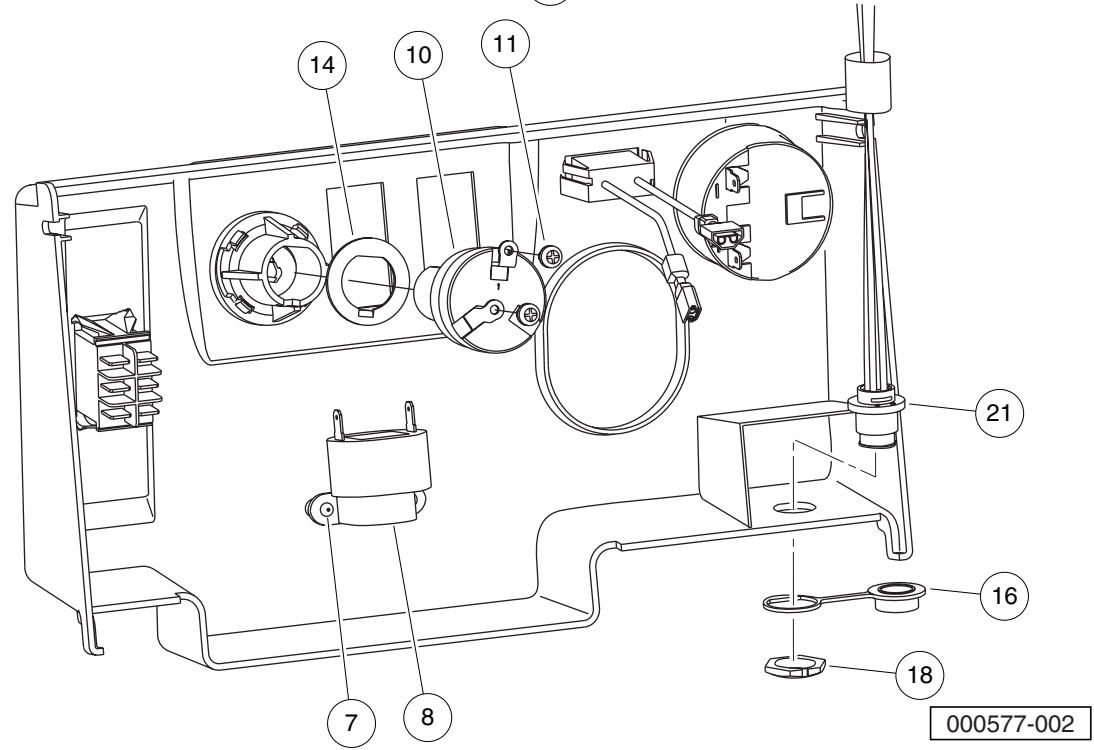
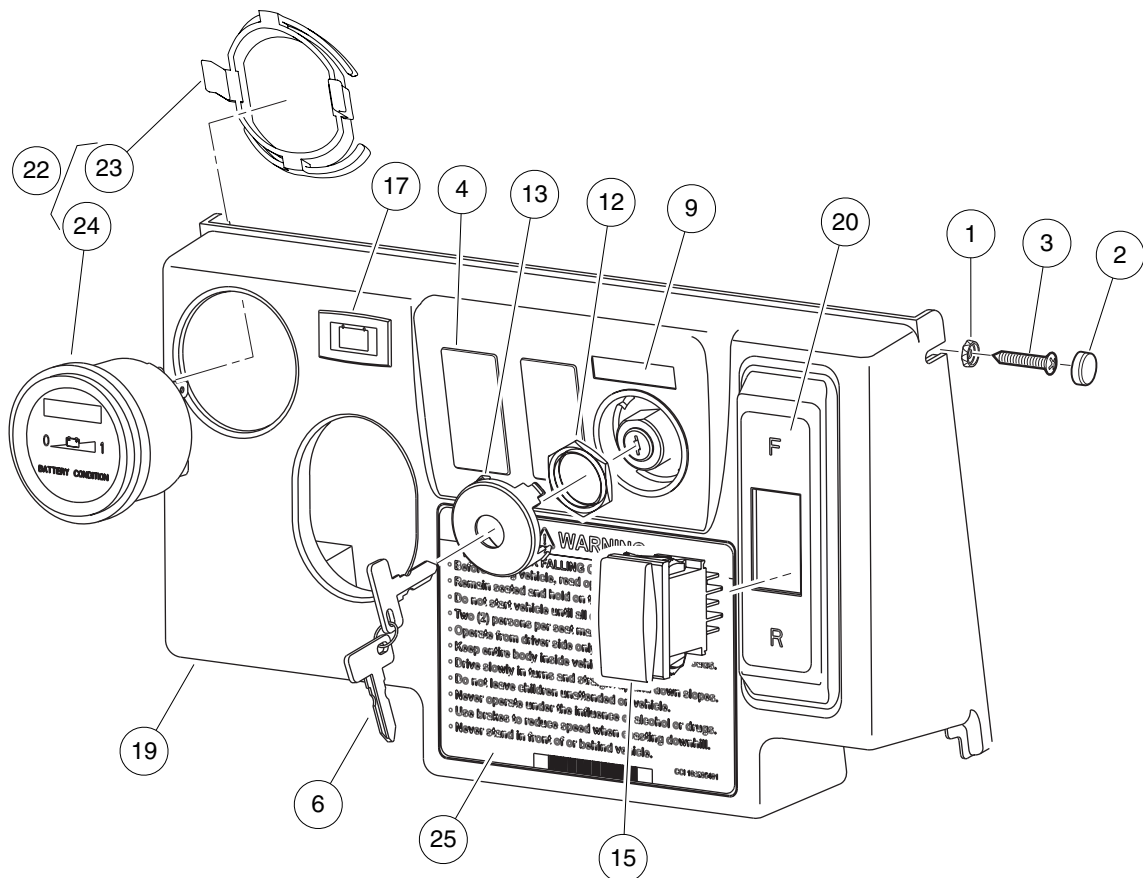
ITEM	PART NO.	DESCRIPTION	QTY
		1 2 3 4	
1	N/A	Washer, #10 Pan-Head Screw	2
2	1013494	Cover, Screw Head	2
3	1015528	Screw, #10 x 1-1/4 Phillips Head	2
4	103180101	Cover, Hole, Switch, Rocker	2
5	103186113	Asm, Dash, Elec, Ca2 Lsv (includes items 6 through 23)	1
6	1012505	Keys (set of 2)	1
7	1016849	Screw, #4-24 X 0.33 Pan-Head Machine	2
8	1016851	Buzzer, Reverse (9-48 VDC)	1
9	101825101	Decal, Off/On	1
10	101826201	Key Switch, On/Off	1
11	101830601	Screw and Washer Assembly	2
12	101830701	Nut, Key Switch	1
13	101834502	Cap, Black Key Switch	1
14	101851101	Washer, Key Switch	1
15	101856001	Switch, Rocker, Double-Pole	1
16	102196901	Dust Cap	1
17	102508701	Light, Battery	1
18	102572401	Nut, Diagnostic Port, Prec	1
19	102977002	Panel, Dash, Center, Gas (Instrument Panel)	1
20	103198301	Plug, Hole, Round, 2.0 In	1
21	103210301	Decal, Forward/Reverse, Electric	1
22	103218601	Harness, Diagnostic Port	1
23	103499301	Decal, Operating Inst, On-road	1

6

E

6

E



000577-002

INSTRUMENT PANEL AND ELECTRICAL COMPONENTS – CA 6

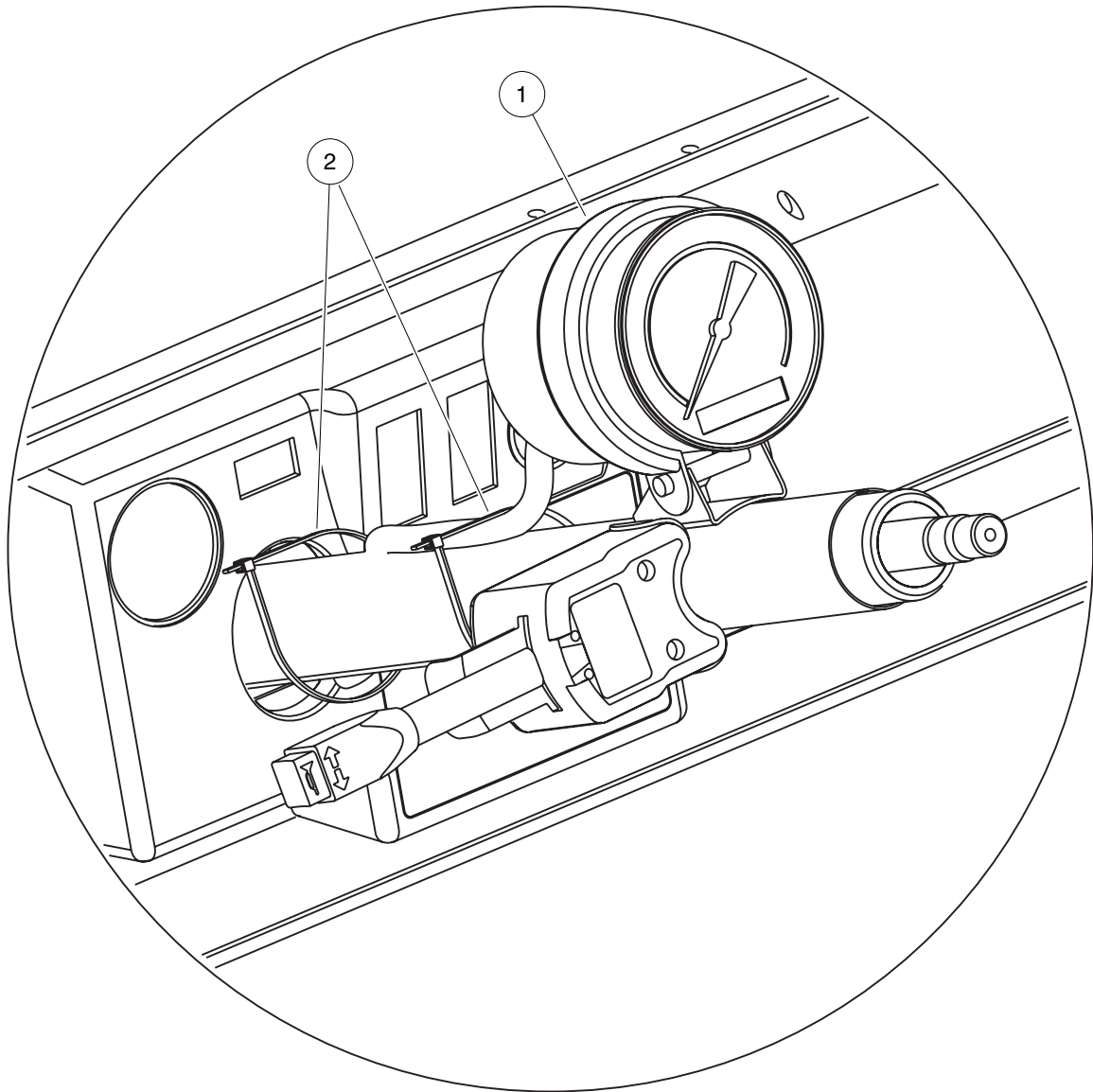
ITEM	PART NO.	DESCRIPTION	QTY
		1 2 3 4	
1	N/A	Washer, #10 Pan-Head Screw	2
2	1013494	Cover, Screw Head	2
3	1015528	Screw, #10 x 1-1/4 Phillips Head	2
4	103180101	Cover, Hole, Switch, Rocker	2
5	103186114	Asm, Dash, Elec, Bci, Lsv (includes items 6 through 25)	1
6	1012505	Keys (set of 2)	1
7	1016849	Screw, #4-24 X 0.33 Pan-Head Machine	2
8	1016851	Buzzer, Reverse (9-48 VDC)	1
9	101825101	Decal, Off/On	1
10	101826201	Key Switch, On/Off	1
11	101830601	Screw and Washer Assembly	2
12	101830701	Nut, Key Switch	1
13	101834502	Cap, Black Key Switch	1
14	101851101	Washer, Key Switch	1
15	101856001	Switch, Rocker, Double-Pole	1
16	102196901	Dust Cap	1
17	102508701	Light, Battery	1
18	102572401	Nut, Diagnostic Port, Prec	1
19	102977002	Panel, Dash, Center, Gas (Instrument Panel)	1
20	103210301	Decal, Forward/Reverse, Electric	1
21	103218601	Harness, Diagnostic Port	1
22	103354401	Gauge, Battery Cond Ind, Rnd (includes items 23 and 24)	1
23	103348202	Clip, Bci, Round	1
24	N/A	Battery Condition Indicator Gauge	1
25	103499301	Decal, Operating Inst, On-road	1

6

E

6

E



000854-001

SPEEDOMETER

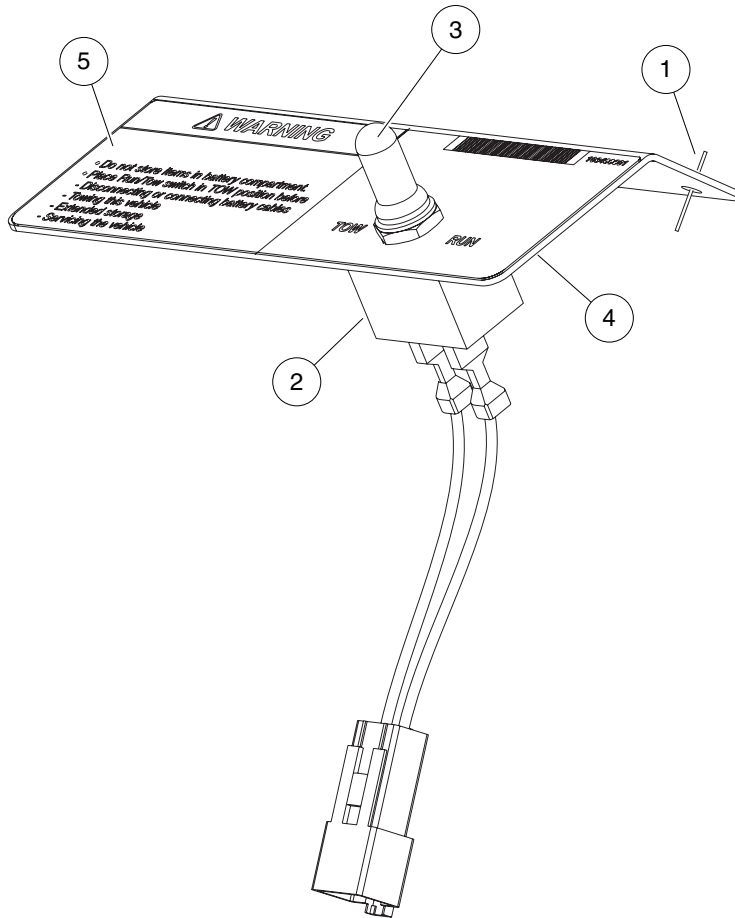
ITEM	PART NO.	DESCRIPTION	QTY
		1 2 3 4	
1	103498801	Asm, Speedometer, Strg Colmn	1
2	8990	Tie Wrap, 8" Nylon	2

6

E

6

E



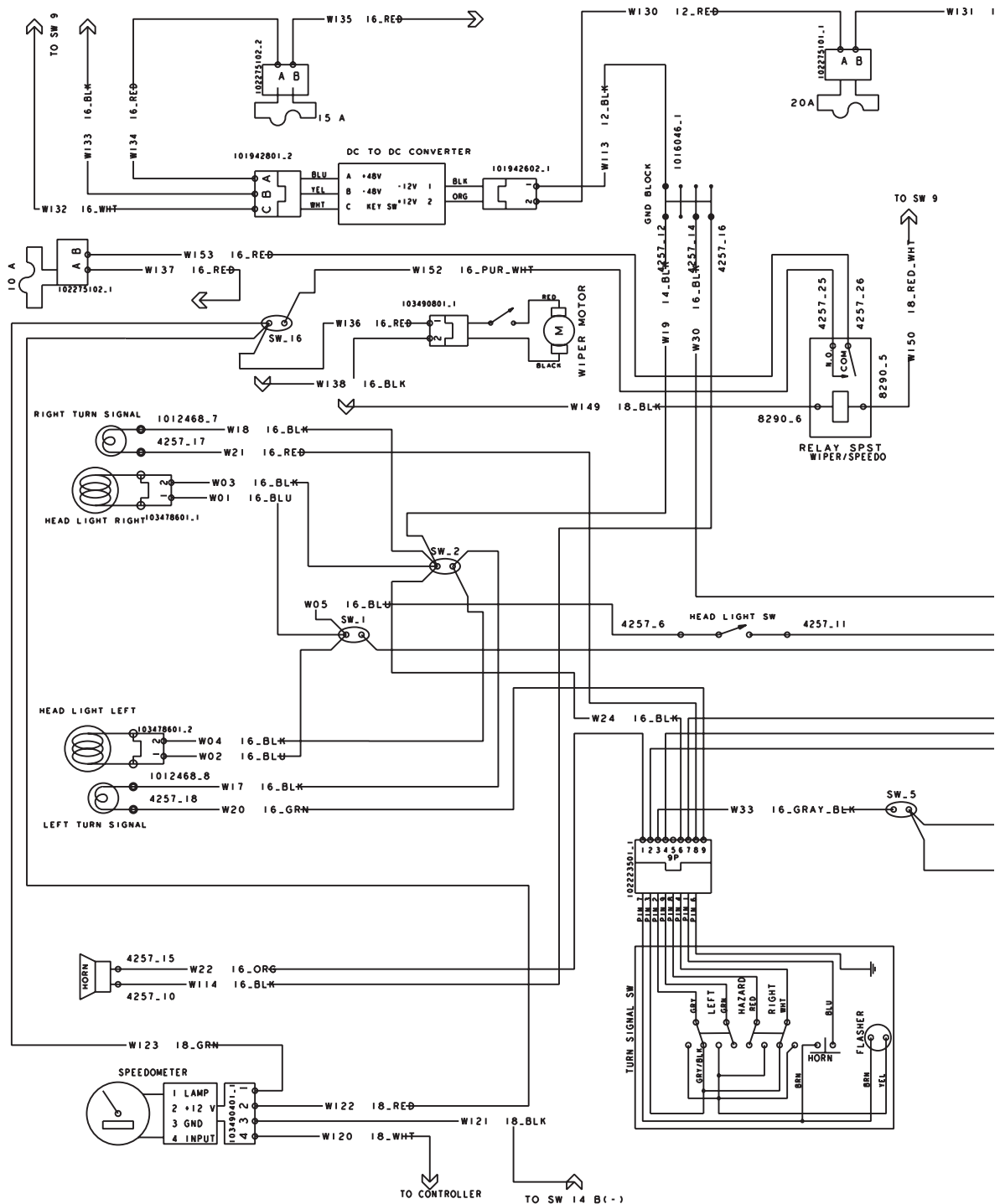
000859-0001

TOW/RUN SWITCH

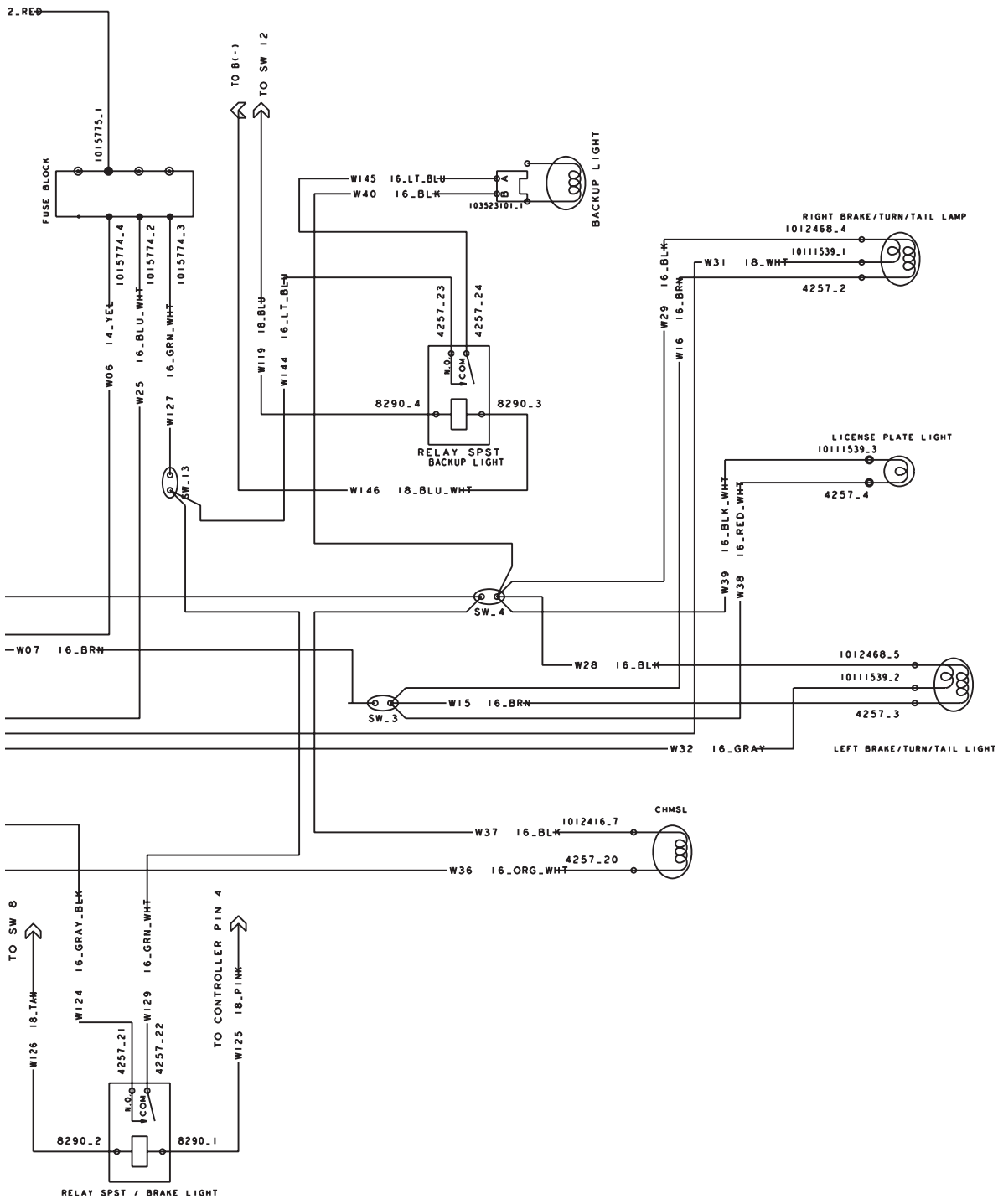
ITEM	PART NO.	DESCRIPTION	QTY
		1 2 3 4	
1	1015392	Rivet, 3/16 Pop	2
2	101908101	Switch Assembly, Tow/Run	1
3	101908401	Boot, Switch	1
4	102915701	Plate, Switch, Run Tow, Mode	1
5	103499601	Decal, Tow Switch, No Cir Brkr	1

6

E



000566-003



000566-003

6

E

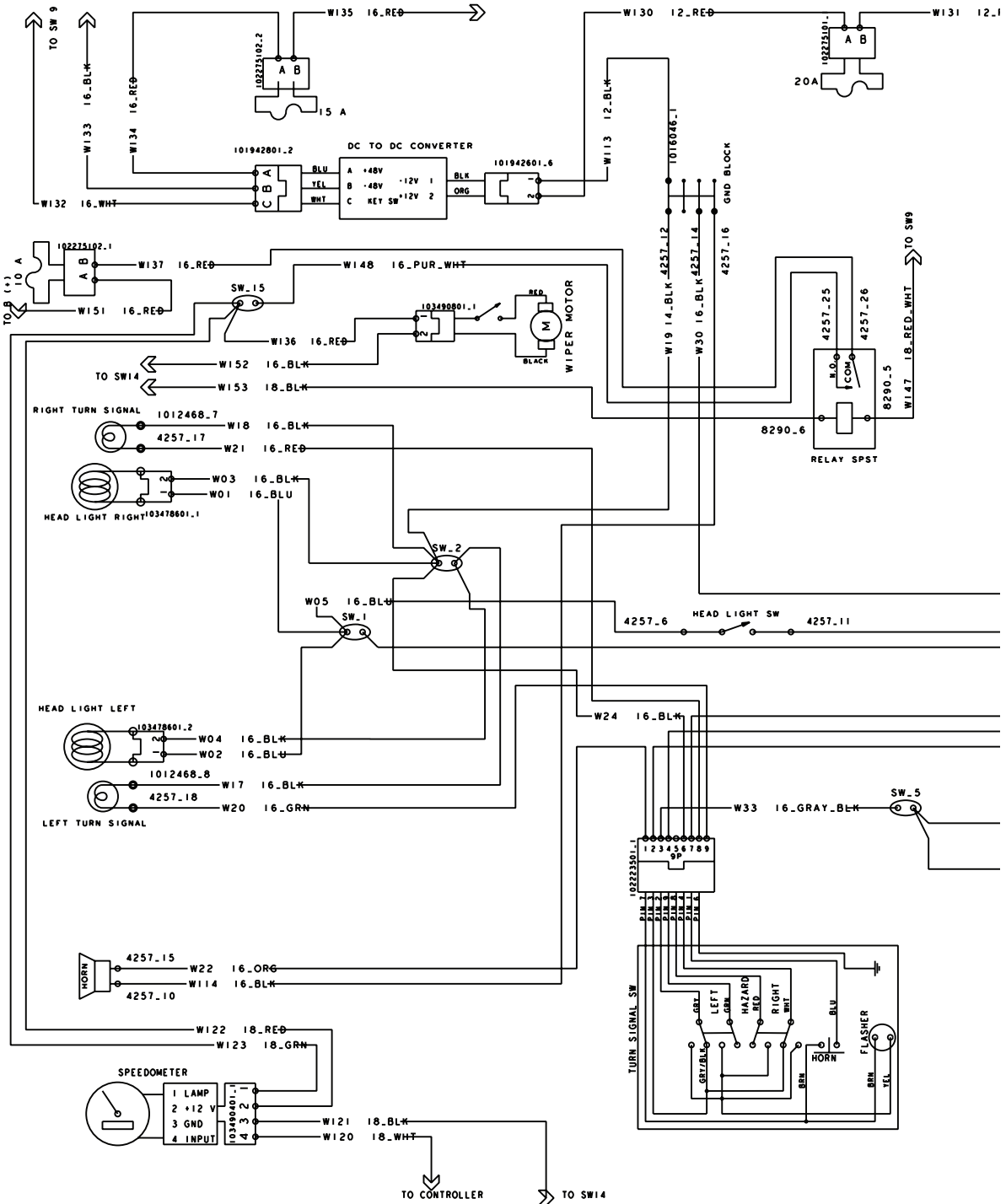
See previous two pages for illustration.

WIRING – CA 2

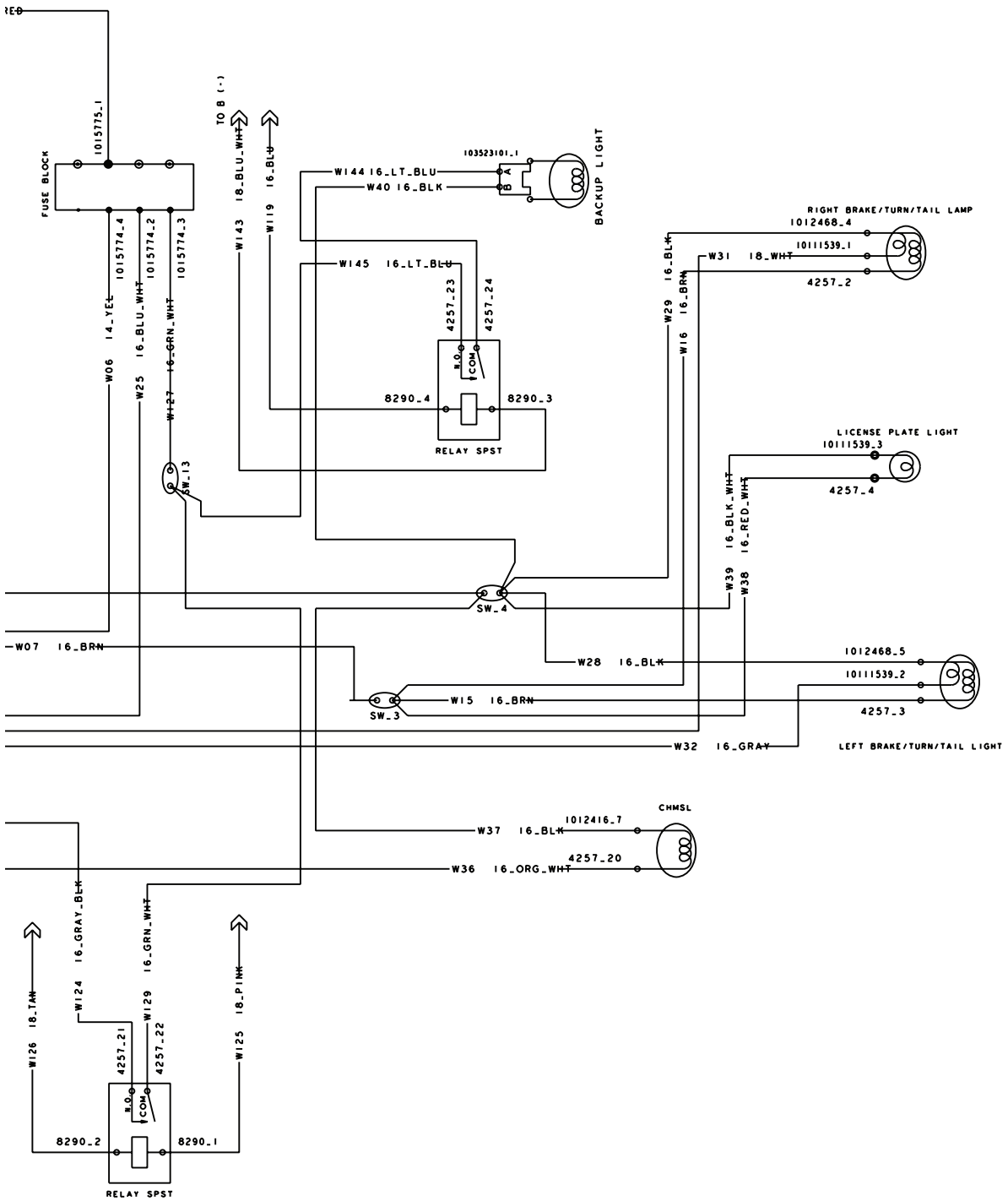
ITEM	PART NO.	DESCRIPTION	QTY
1	103458201	1 2 3 4 Harness,main,ca2,ac System	1
2	103458301	Harness, Power, Ca2, Ac Sys	1

6

E



000566-002



000566-002

6

E

See previous two pages for illustration.

WIRING – CA 6

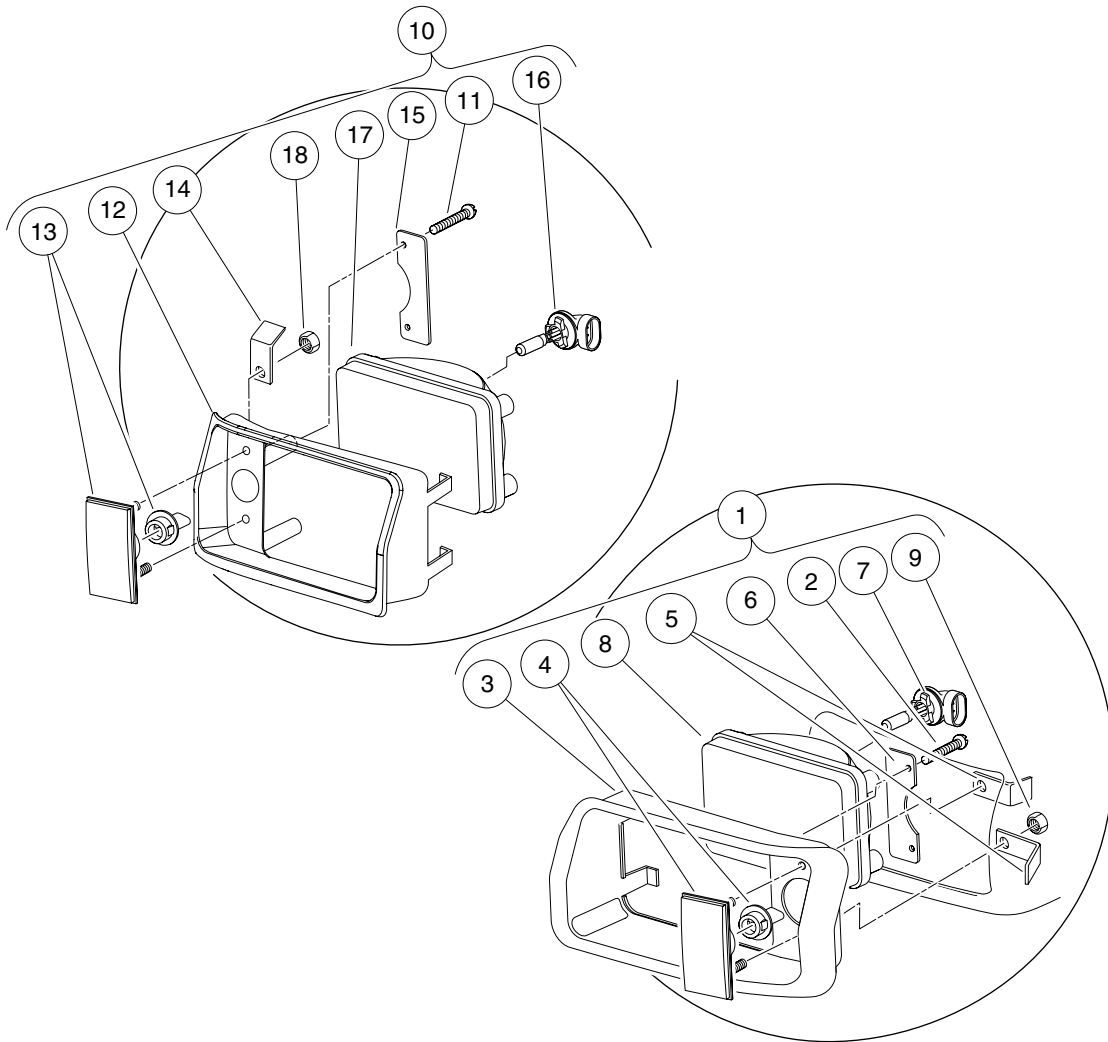
ITEM	PART NO.	DESCRIPTION	QTY
1	103497301	1 2 3 4 Harness, Main, Ca6, Ac System	1
2	103497401	Harness, Power, Ca6, Ac Sys	1

6

E

6

E



000073-002

HEADLIGHTS

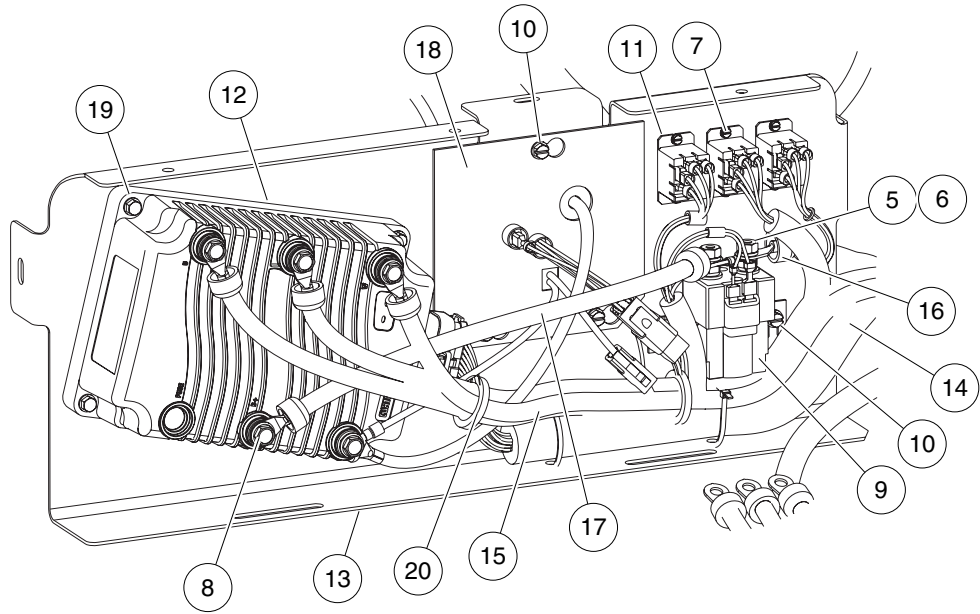
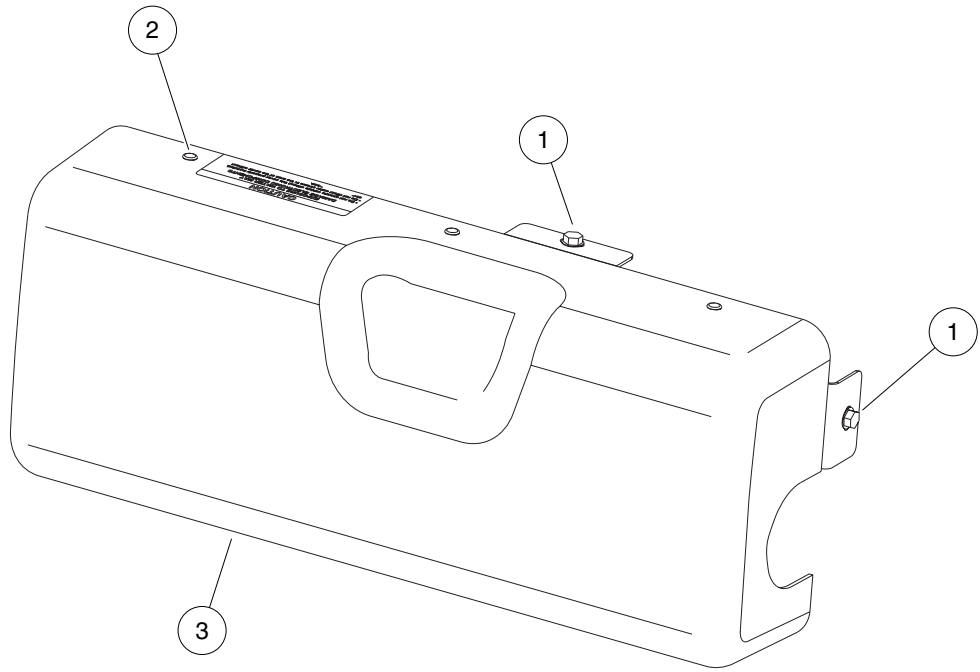
ITEM	PART NO.	DESCRIPTION	QTY
		1 2 3 4	
1	101988005	Asm, Headlight -lh Sae/dot (includes items 2 through 9)	1
2	1013461	Screw, #10-16 Hex-Head Hi-Lo	2
3	1016880	Headlight Bezel, Left	1
4	1017062	Turn Signal Lens Assy	1
5	1017064	Mounting Bracket	2
6	1017065	Retainer, Headlight	1
7	101988101	Bulb, Headlight	1
8	101988202	Lens, Headlight -sae	1
9	1022006	Nut, 10-32 Hex, Stainless	2
10	101988006	Asm, Headlight -rh Sae/dot (includes items 11 through 18)	1
11	1013461	Screw, #10-16 Hex-Head Hi-Lo	2
12	1016879	Headlight Bezel, Right	1
13	1017062	Turn Signal Lens Assy	1
14	1017064	Mounting Bracket	2
15	1017065	Retainer, Headlight	1
16	101988101	Bulb, Headlight	1
17	101988202	Lens, Headlight -sae	1
18	1022006	Nut, 10-32 Hex, Stainless	2

6

E

6

E



000852-0002

ELEC COMPONENTS – CA 2

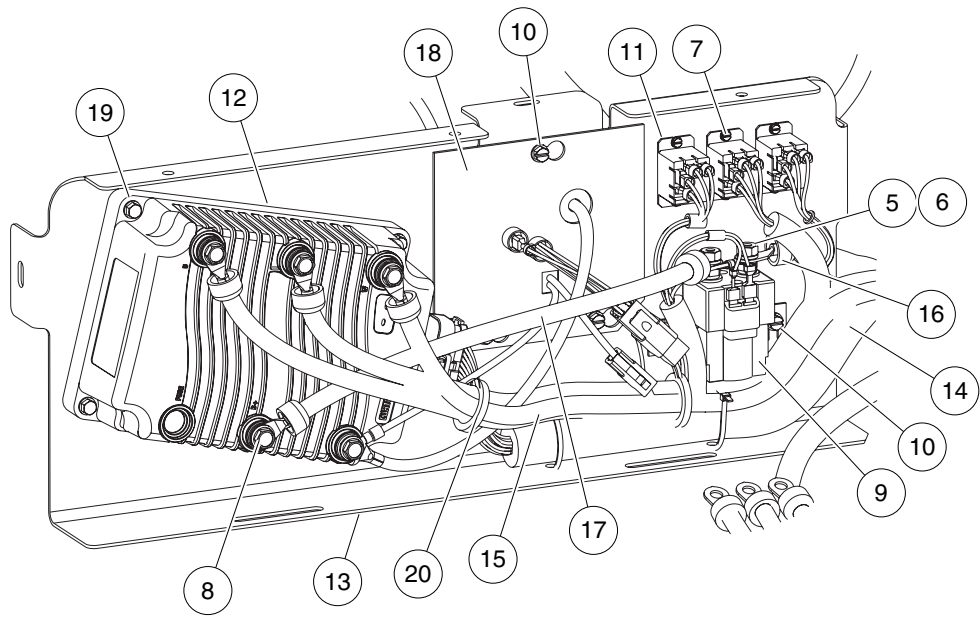
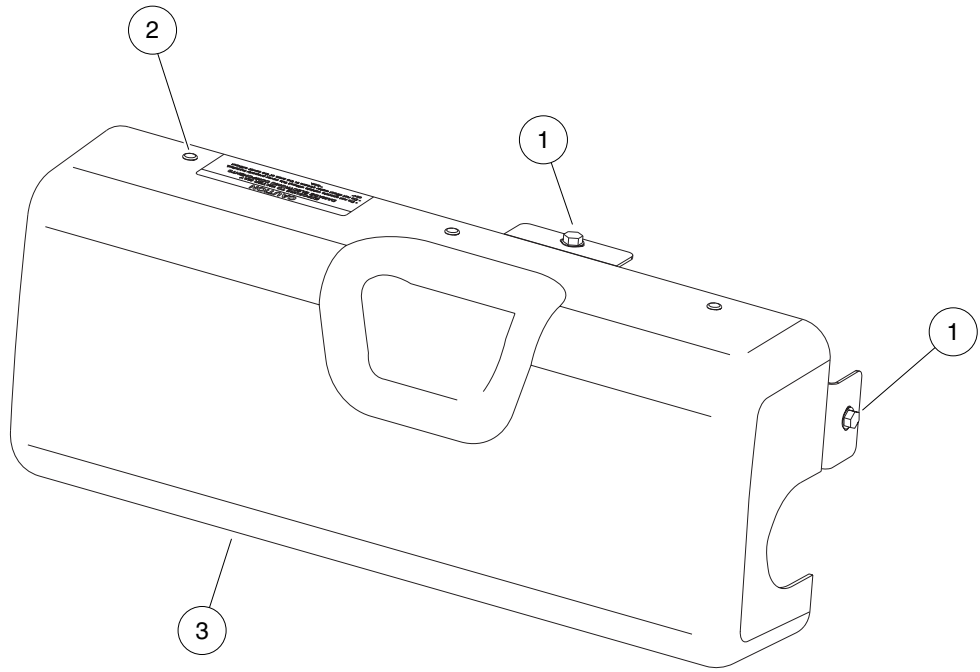
ITEM	PART NO.	DESCRIPTION	QTY
		1 2 3 4	
1	1014288	Screw, 5/16-18 X 0.75 Thread-Forming	3
2	1016967	Blind Rivet, Push Type	3
3	102772401	Cover, Component, Elec, Rear	1
4	N/A	Plate, Comp, Asm, Ca2, Ac (includes items 5 through 20)	A/R
5	1012528	Nut, M8-1.25 Hex	2
6	1013734	Lockwasher, 8mm Split	2
7	1015720	Screw, #6-32 X 1/2 Hex Washer-Head	6
8	102240501	Bolt, Controller, Terminal	5
9	102774701	Solenoid, 48v, lth-150	1
10	102817101	Screw, 1/4-20 X .50 Hex Wsh Hd	5
11	103397901	Relay, Spst No, 48v 30a, Pmt	3
12	103451101	Controller, Ac Motor	1
13	103452401	Plate, Component, Mtg, Ac	1
14	103458201	Harness,main,ca2,ac System	1
15	103458301	Harness, Power, Ca2, Ac Sys	1
16	103510101	Asm, Wire #2 Red, 1167	1
17	103510201	Asm, Wire #2 Yellow, 420	1
18	103514701	Computer, Ob, 2ga, 38"	1
19	103517901	Scr, 1/4-20 X 1.25 Hwhcs, Tt	4
20	8990	Tie Wrap, 8" Nylon	2

6

E

6

E



000852-0002

ELEC COMPONENTS – CA 6

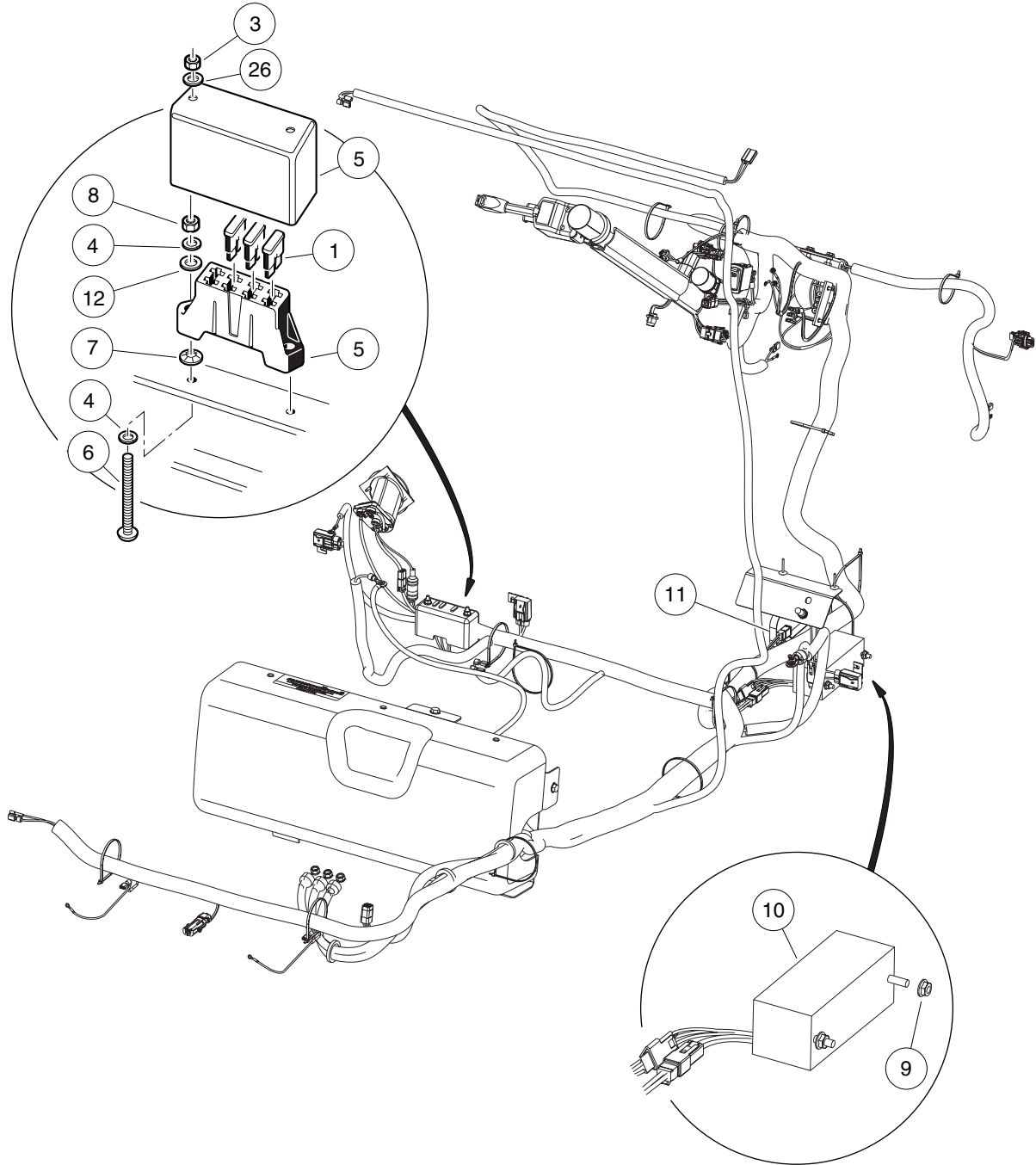
ITEM	PART NO.	DESCRIPTION	QTY
		1 2 3 4	
1	1014288	Screw, 5/16-18 X 0.75 Thread-Forming	3
2	1016967	Blind Rivet, Push Type	3
3	102772401	Cover, Component, Elec, Rear	1
4	N/A	Plate, Comp, Asm, Ca6, Ac (includes items 5 through 20)	A/R
5	1012528	Nut, M8-1.25 Hex	2
6	1013734	Lockwasher, 8mm Split	2
7	1015720	Screw, #6-32 X 1/2 Hex Washer-Head	6
8	102240501	Bolt, Controller, Terminal	5
9	102774701	Solenoid, 48v, lth-150	1
10	102817101	Screw, 1/4-20 X .50 Hex Wsh Hd	5
11	103397901	Relay, Spst No, 48v 30a, Pmt	3
12	103451101	Controller, Ac Motor	1
13	103452401	Plate, Component, Mtg, Ac	1
14	103497301	Harness, Main, Ca6, Ac System	1
15	103497401	Harness, Power, Ca6, Ac Sys	1
16	103510201	Asm, Wire #2 Yellow, 420	1
17	103511001	Asm, Wire #2 Red, 1000	1
18	103514702	Computer, Ob, 2ga, 83"	1
19	103517901	Scr, 1/4-20 X 1.25 Hwhcs, Tt	4
20	8990	Tie Wrap, 8" Nylon	2

6

E

6

E



000860-0001

DC CONVERTER AND FUSE BLOCK – CA 2

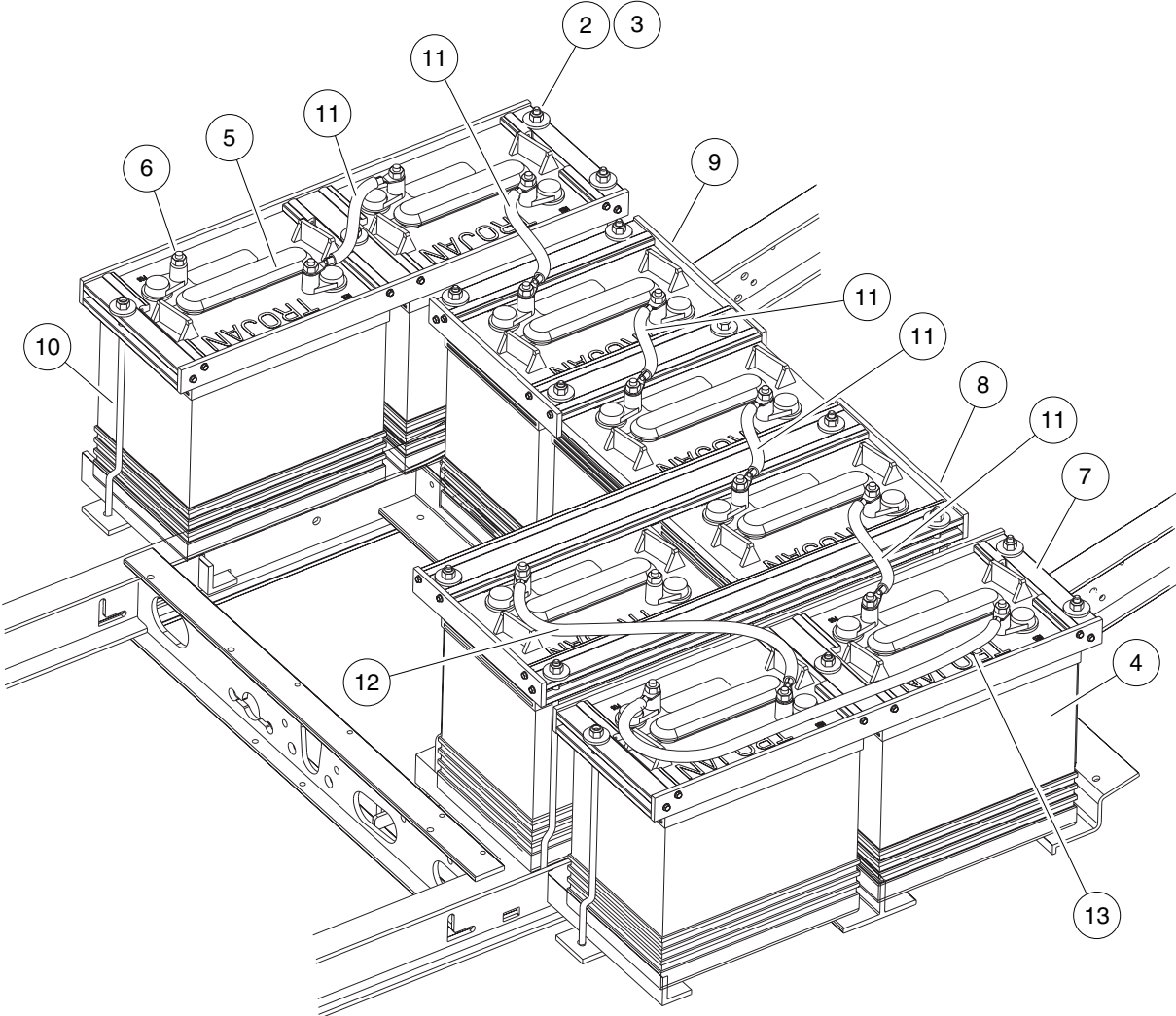
ITEM	PART NO.	DESCRIPTION	QTY
		1 2 3 4	
1	1012295	Fuse, 10-Amp	3
2	1012438	Locknut, #10-24 Nylon Insert	2
3	1015741	Fuse Block	1
4	1016	Lockwasher, #10 Split	2
5	1016363	Fuse Block Cover	1
6	1016366	Screw, #10-24 X 3.0 Pan-Head Machine	2
7	1016631	Push Nut	2
8	1017	Nut, #10-24 Stainless-Steel Hex Machine	2
9	101835601	Locknut, 1/4-20 Hex Whiz	2
10	102352201	Converter, Dc -non Isolated	1
11	102787701	Tie, Wide Strap	1
12	183	Washer, #10 Type A Flat	2

6

E

6

E



000850-001

T145 BATTERIES – CA 2

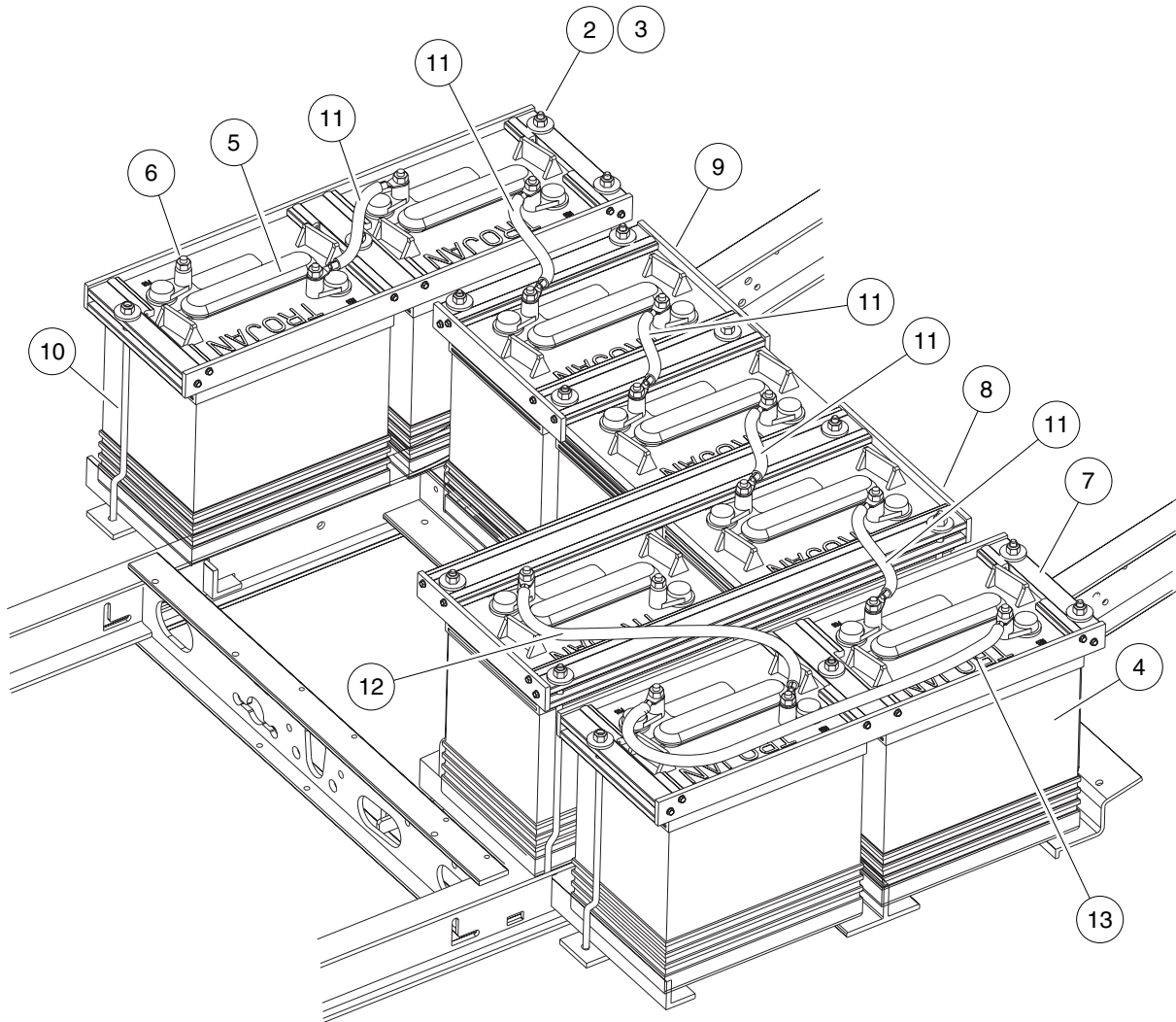
ITEM	PART NO.	DESCRIPTION	QTY
		1 2 3 4	
1	103453301	Opt, Batt, Ca2, T145, Ic (includes items 2 through 13)	1
2	1012571	Washer, 5/16 Extra Thick Flat	16
3	1015072	Locknut, 5/16-18 Nylon Insert	16
4	102764401	Battery, 6v Trojan T145 (wet) (includes item 5)	8
5	101831401	Battery Cap 6 Volt	1
6	102873401	5/16-18 Heavy Hex Nut	16
7	103481301	Asm, Batt Ret Ob, Ca2	2
8	103481401	Asm, Batt Ret Ob, Ca2	1
9	103481501	Asm, Batt Ret Ctr Short, Ca2	1
10	103481601	Rod, Batt Retainer, Inc Cont	16
11	103528901	Wire, Asm #2 Blk, 9 Inch	5
12	103529001	Wire, Asm #2 Blk, 18.5 Inch	2
13	103529101	Wire, Asm #2 Blk, 25 Inch	1

6

E

6

E



000850-001

T105 BATTERIES – CA 2

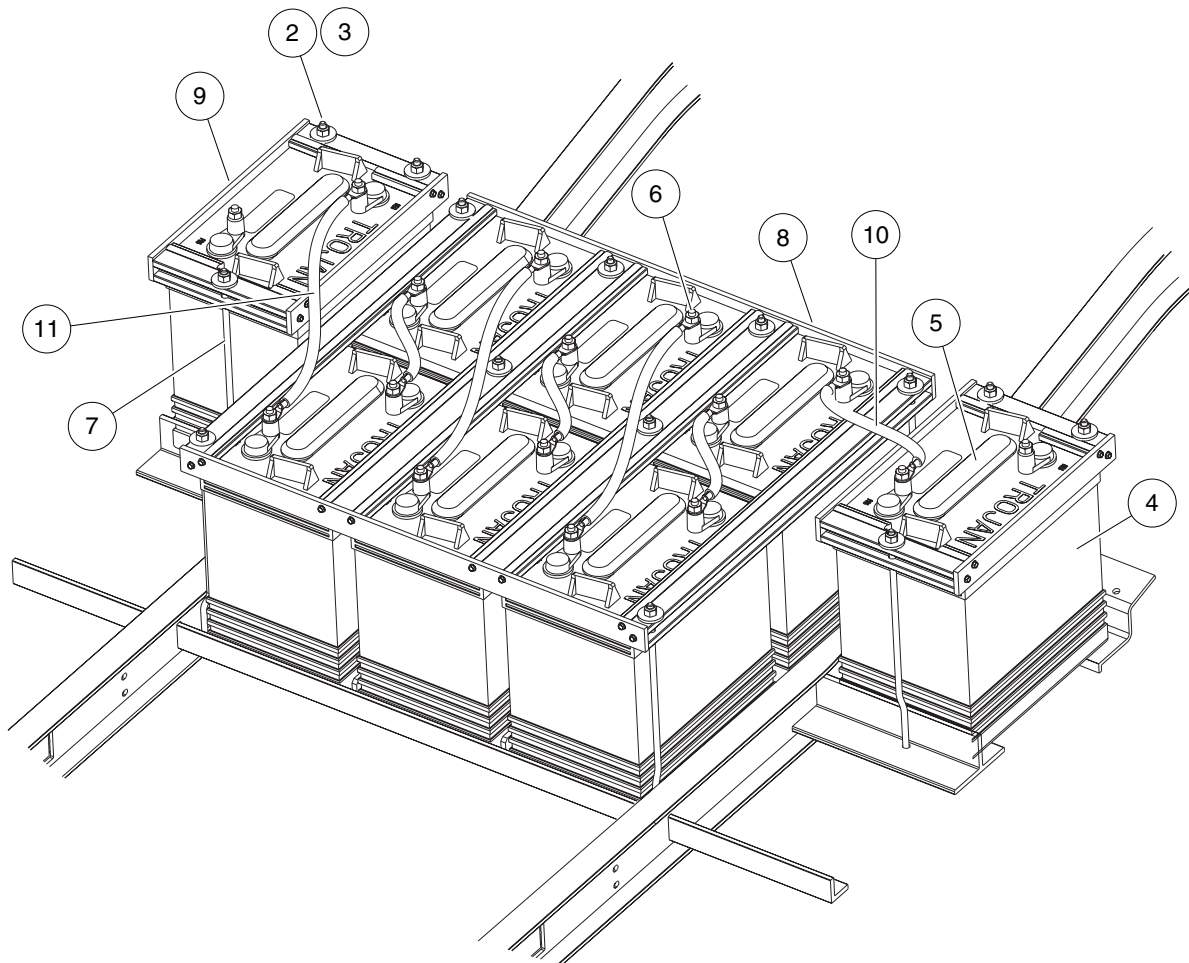
ITEM	PART NO.	DESCRIPTION	QTY
		1 2 3 4	
1	103453302	Opt, Batt, Ca2, T105, Ic (includes items 2 through 13)	1
2	1012571	Washer, 5/16 Extra Thick Flat	16
3	1015072	Locknut, 5/16-18 Nylon Insert	16
4	101661601	Battery, 6v Trojan T105 (Wet) (includes item 5)	8
5	101831401	Battery Cap 6 Volt	1
6	102873401	5/16-18 Heavy Hex Nut	16
7	103481301	Asm, Batt Ret Ob, Ca2	2
8	103481401	Asm, Batt Ret Ob, Ca2	1
9	103481501	Asm, Batt Ret Ctr Short, Ca2	1
10	103481601	Rod, Batt Retainer, Inc Cont	16
11	103528901	Wire, Asm #2 Blk, 9 Inch	5
12	103529001	Wire, Asm #2 Blk, 18.5 Inch	2
13	103529101	Wire, Asm #2 Blk, 25 Inch	1

6

E

6

E



000851-001

T145 BATTERIES – CA 6

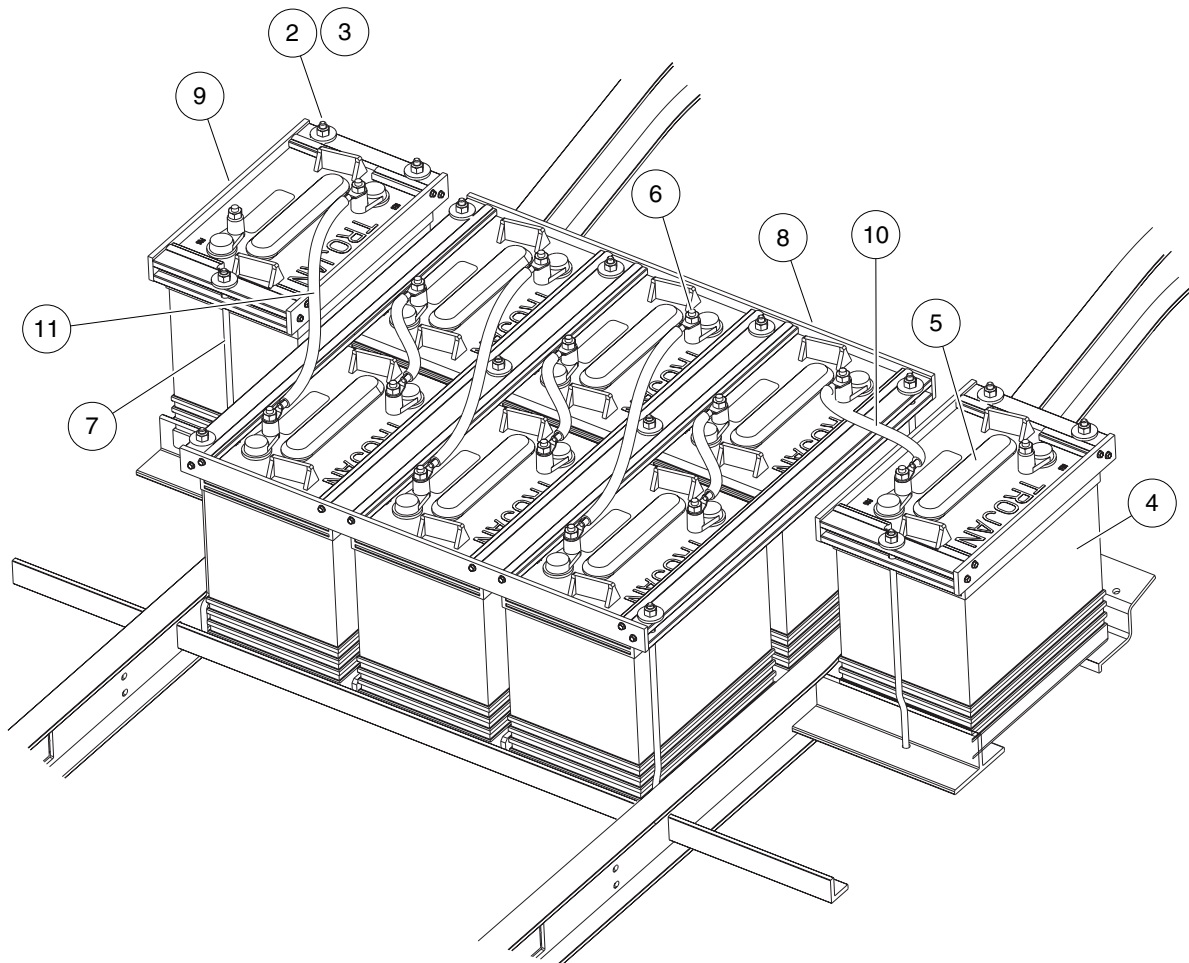
ITEM	PART NO.	DESCRIPTION	QTY
		1 2 3 4	
1	103457801	Opt, Battery, T145, Ic (includes items 2 through 11)	A/R
2	1012571	Washer, 5/16 Extra Thick Flat	14
3	1015072	Locknut, 5/16-18 Nylon Insert	14
4	102764401	Battery, 6v Trojan T145 (wet) (includes item 5)	8
5	101831401	Battery Cap 6 Volt	1
6	102873401	5/16-18 Heavy Hex Nut	16
7	103481601	Rod, Batt Retainer, Inc Cont	14
8	103493101	Asm, Batt Ret Ctr, Ca6	1
9	103493201	Asm, Batt Ret Side, Ca6	2
10	103528901	Wire, Asm #2 Blk, 9 Inch	4
11	103529001	Wire, Asm #2 Blk, 18.5 Inch	3

6

E

6

E



000851-001

T105 BATTERIES – CA 6

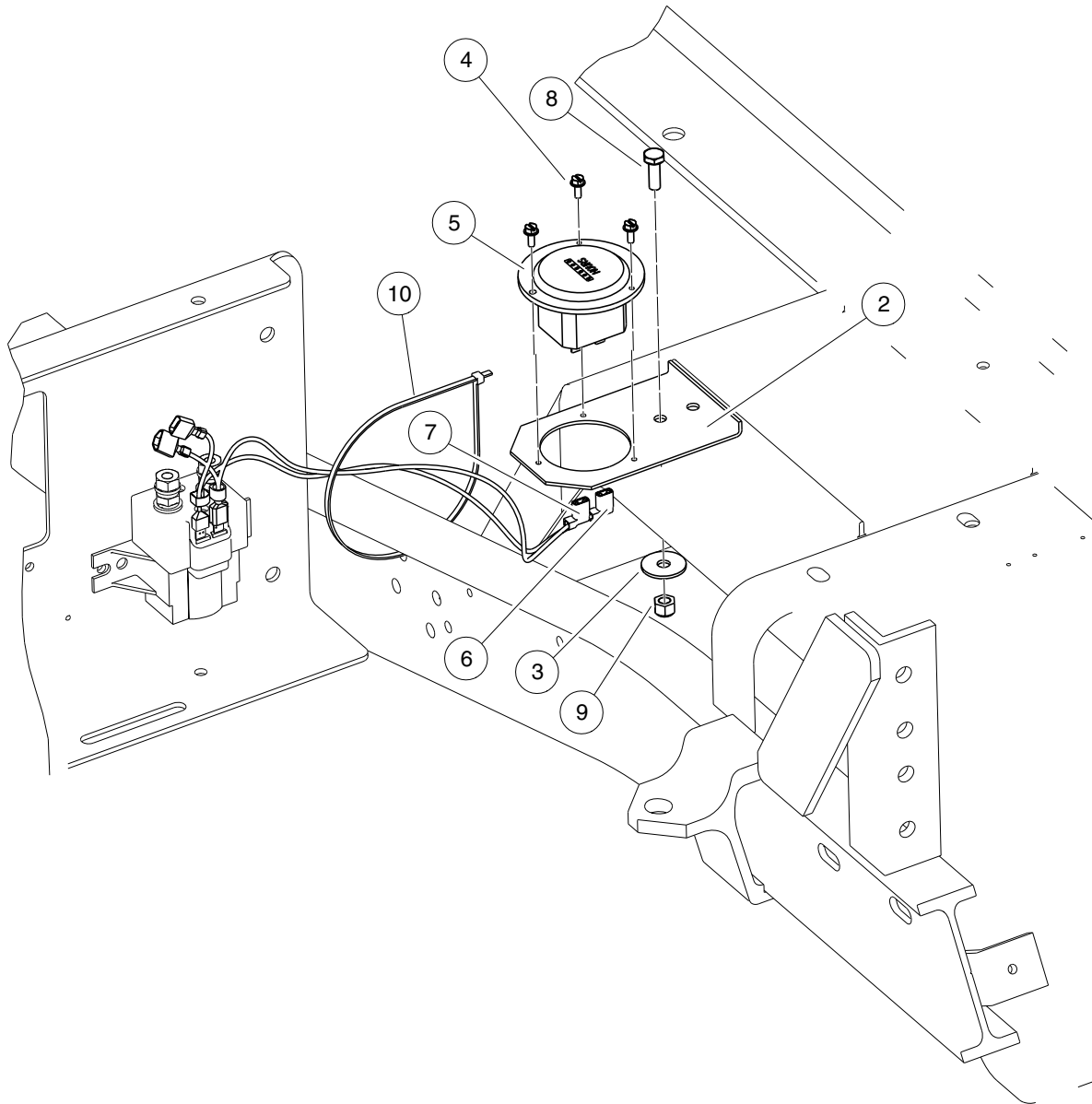
ITEM	PART NO.	DESCRIPTION	QTY
		1 2 3 4	
1	103457802	Opt, Battery, T105, Ic (includes items 2 through 11)	A/R
2	1012571	Washer, 5/16 Extra Thick Flat	14
3	1015072	Locknut, 5/16-18 Nylon Insert	14
4	101661601	Battery, 6v Trojan T105 (Wet) (includes item 5)	8
5	101831401	Battery Cap 6 Volt	1
6	102873401	5/16-18 Heavy Hex Nut	16
7	103481601	Rod, Batt Retainer, Inc Cont	14
8	103493101	Asm, Batt Ret Ctr, Ca6	1
9	103493201	Asm, Batt Ret Side, Ca6	2
10	103528901	Wire, Asm #2 Blk, 9 Inch	4
11	103529001	Wire, Asm #2 Blk, 18.5 Inch	3

6

E

6

E



000346-002

HOUR METER

ITEM	PART NO.	DESCRIPTION	QTY
		1 2 3 4	
1	N/A	Hour Meter Installation, IQ Plus (includes items 2 through 10)	1
2	1013547	Hour Meter Bracket	1
3	1014306	Washer, 1/4" Type B Flat	1
4	1014540	Screw, #6-32 X 3/8 Taptite	3
5	1016877	Hour Meter	1
6	N/A	Wire Assembly #18 Yellow	1
7	101997902	Wire Assembly #18 Red	1
8	7847	Screw, 1/4-20 X 0.75 Hex-Head Cap	1
9	8233	Locknut, 1/4-20 Nylon Insert	1
10	8990	Tie Wrap, 8" Nylon	1

6

E

6

E

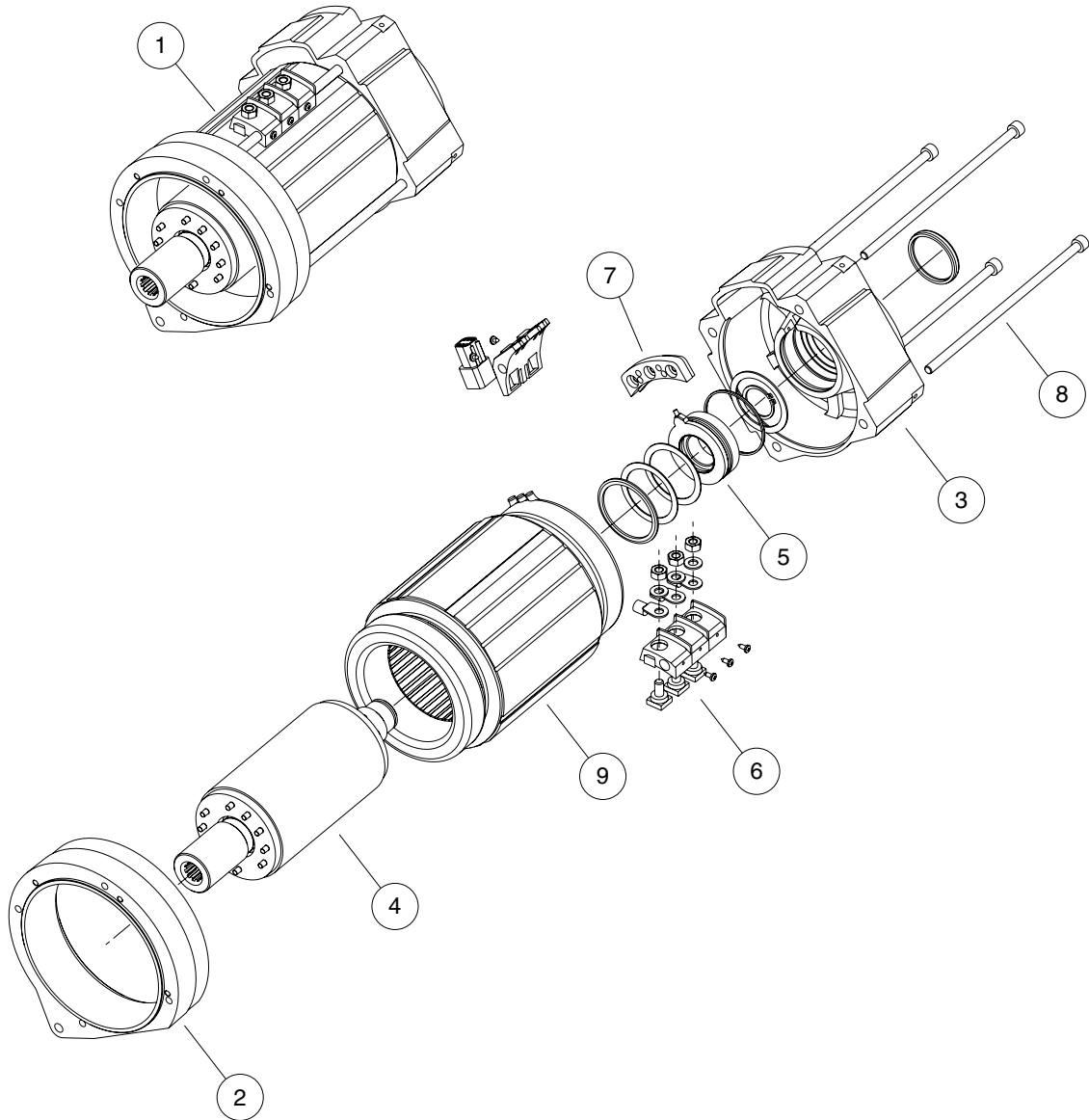
ELECTRIC MOTOR – AC

7

E

7

E



000855-001

AC MOTOR

ITEM	PART NO.	DESCRIPTION	QTY
		1 2 3 4	
1	103452901	Motor, Electric, Ac (includes items 2 through 9)	1
2	103583001	Flange, Ac Motor, Drive End	1
3	103583101	Endshield, Ac Motor, Nde	1
4	103583301	Rotor Asm, Ac Motor	1
5	103583501	Kit, Bearing, Ac Motor	1
6	103583601	Kit, Terminal, Ac Motor	1
7	103583701	Kit, Connector Plate, Ac Motor	1
8	103583801	Screw, M8 X 220, 8.8 A1f	4
9	103587101	Asm, Stator, Ac Motor	1

7

E

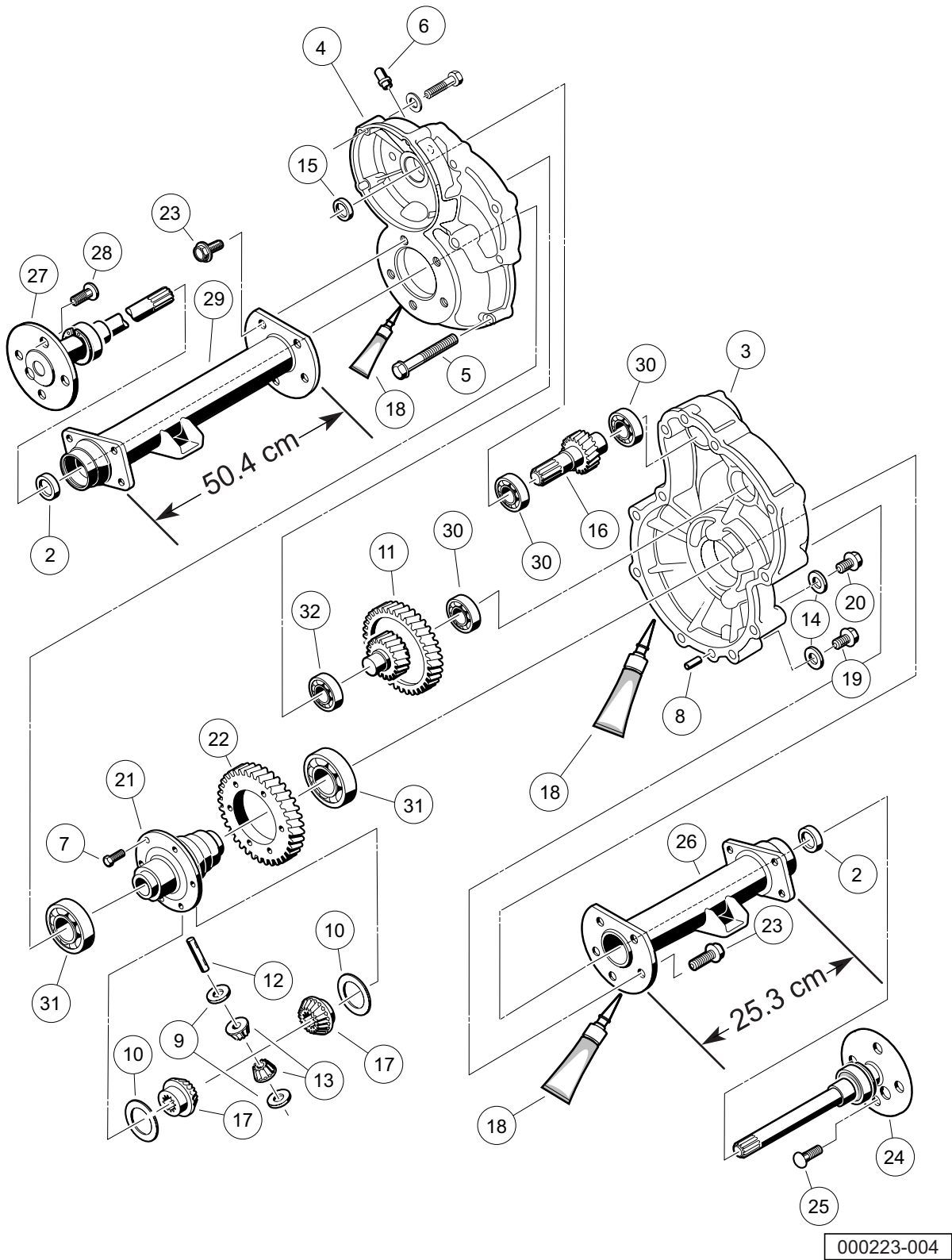
7

E

ELEC TRANSAXLE

8

E



000223-004

TRANSAXLE – ELECTRIC VEHICLES

ITEM	PART NO.	DESCRIPTION	QTY
		1 2 3 4	
1	103484801	Transaxle, Electric, Hs (includes items 2 through 32)	1
2	1013794	Axle Shaft Oil Seal	2
3	101895401	Gear Case, Left-Hand	1
4	101895501	Gear Case, Passenger-Side	1
5	101897001	Screw, M8-1.25 X 60mm Hex-Head	11
6	101897201	Breather	1
7	101897401	Screw, M10-1.25 X 25mm	6
8	101897601	Pin, 11mm OD X 8.5mm ID X 10mm	2
9	101903601	Washer, Thrust	2
10	101903701	Washer, Thrust	2
11	101906901	Intermediate Shaft Assembly	1
12	101922101	Pin, 15.99mm X 88.7mm Dowel	1
13	101923001	Gear, Differential Idler	2
14	101923201	Gasket	2
15	101923501	Seal, Lip	1
16	101923701	Shaft, Input	1
17	101923901	Gear, Differential	2
18	101928701	Liquid Gasket (Transaxle case)	A/R
19	101972101	Plug, M14-1.5 X 12mm Magnetic	1
20	101972201	Plug, M14-1.5 X 12mm Hex	1
21	102356601	Housing, Differential, 6 Bolt	1
22	102356801	Gear, Differential Output, 6-Bolt	1
23	102357001	Screw, Flg Hd M10 X 1.5 X 30	10
24	102886301	Axle Assembly, Driver-Side (includes item 25)	1
25	101922201	Lug Stud	4
26	102886401	Tube, Axle, Driver-Side	1
27	102886501	Axle Assembly, Passenger-Side (includes item 28)	1
28	101922201	Lug Stud	4
29	102886601	Tube, Axle, Passenger-Side	1
30	103574501	Bearing, 6204-C3	3
31	7330	Inner Axle Tube Bearing	2
32	7336	Bearing	1

8

E

8

E

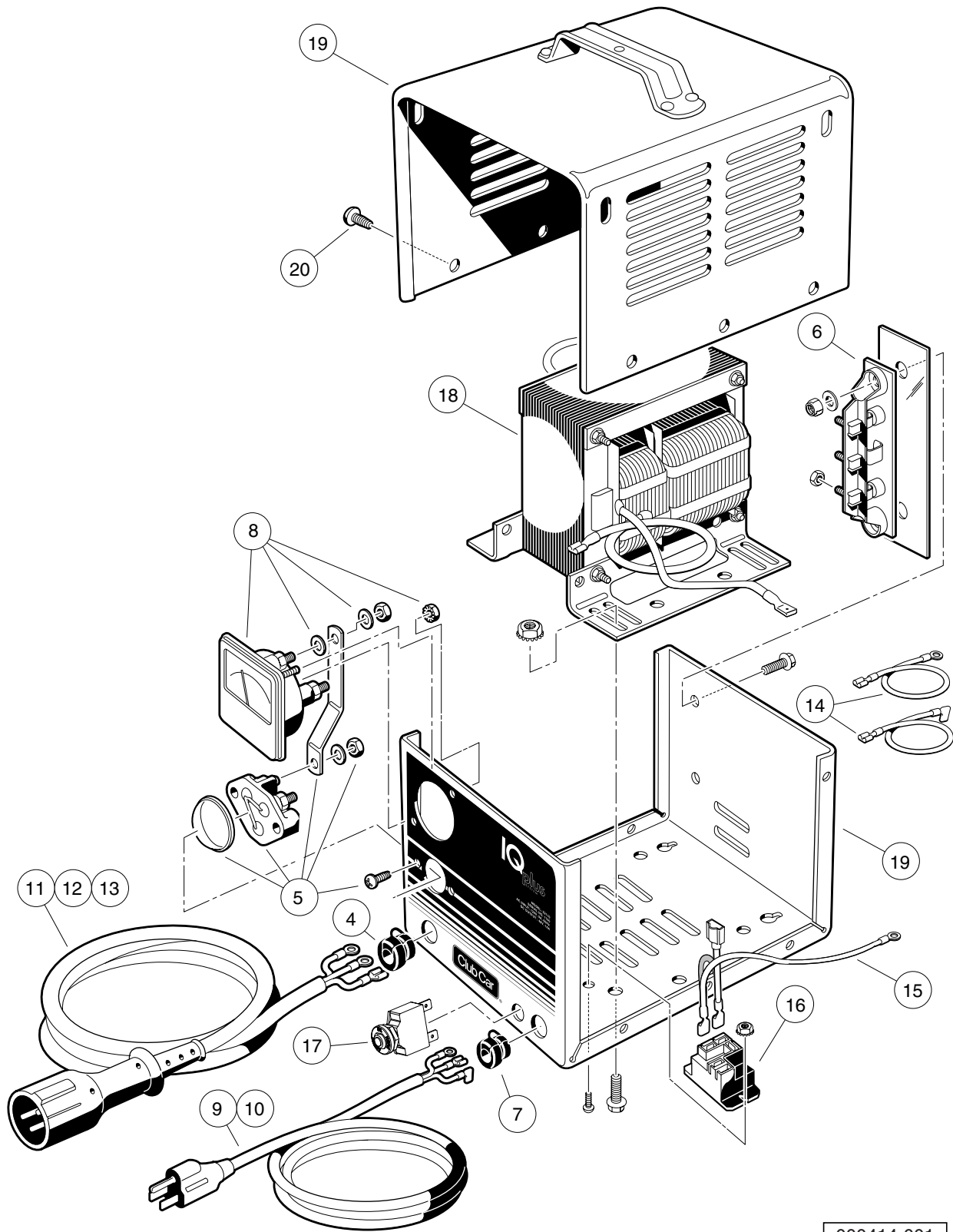
BATTERY CHARGER

9

E

9

E



000414-001

IQ PLUS DOMESTIC BATTERY CHARGER (MODEL 25730)

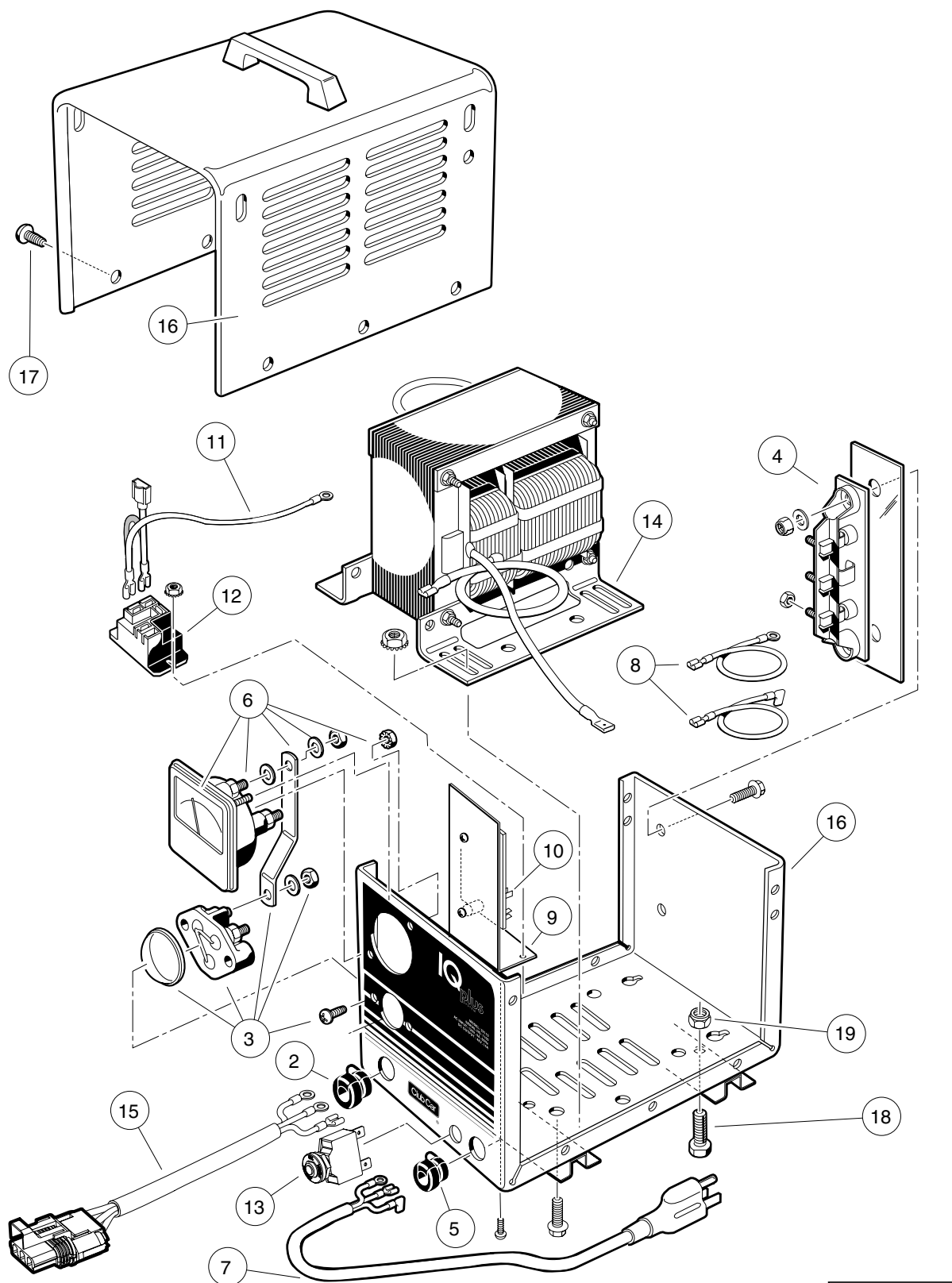
ITEM	PART NO.	DESCRIPTION	QTY
		1 2 3 4	
1	102847801	48-V/17-A IQ Plus (9-ft. DC Cord, 6-ft. AC Cord)	1
2	102847802	48-V/17-A IQ Plus (12-ft. DC Cord, 9-ft. AC Cord)	1
3	102847803	48-V/17-A IQ Plus (20-ft. DC Cord, 9-ft. AC Cord) (includes items 4 through 20)	1
4	1012098	Bushing, DC Cord	1
5	1012101	Fuse Assembly	1
6	1015914	Rectifier with Heatsink Assembly	1
7	1015917	Bushing, AC Cord	1
8	****	Ammeter	1
9	101828801	Cord, AC, 80-Inch (203 cm)	1
10	101828802	Cord, AC, 108-Inch (274 cm)	1
11	101828901	Cord, DC, 113-Inch (287 cm)	1
12	101828902	Cord, DC, 154-Inch (391 cm)	1
13	101828903	Cord, DC, 250-Inch (635 cm)	1
14	101831101	Wire Assembly Kit	1
15	101914401	Assembly, Voltage Suppressor	1
16	102275401	Relay, 48-VDC	1
17	102838101	Circuit Breaker 250vac-50vdc	1
18	N/A	Transformer, Battery Charger	1
19	N/A	Case, Battery Charger	1
20	7577	Screw, #10 X 0.50 Phillips Pan-Head	10
**** Special order item available upon request.			

9

E

9

E



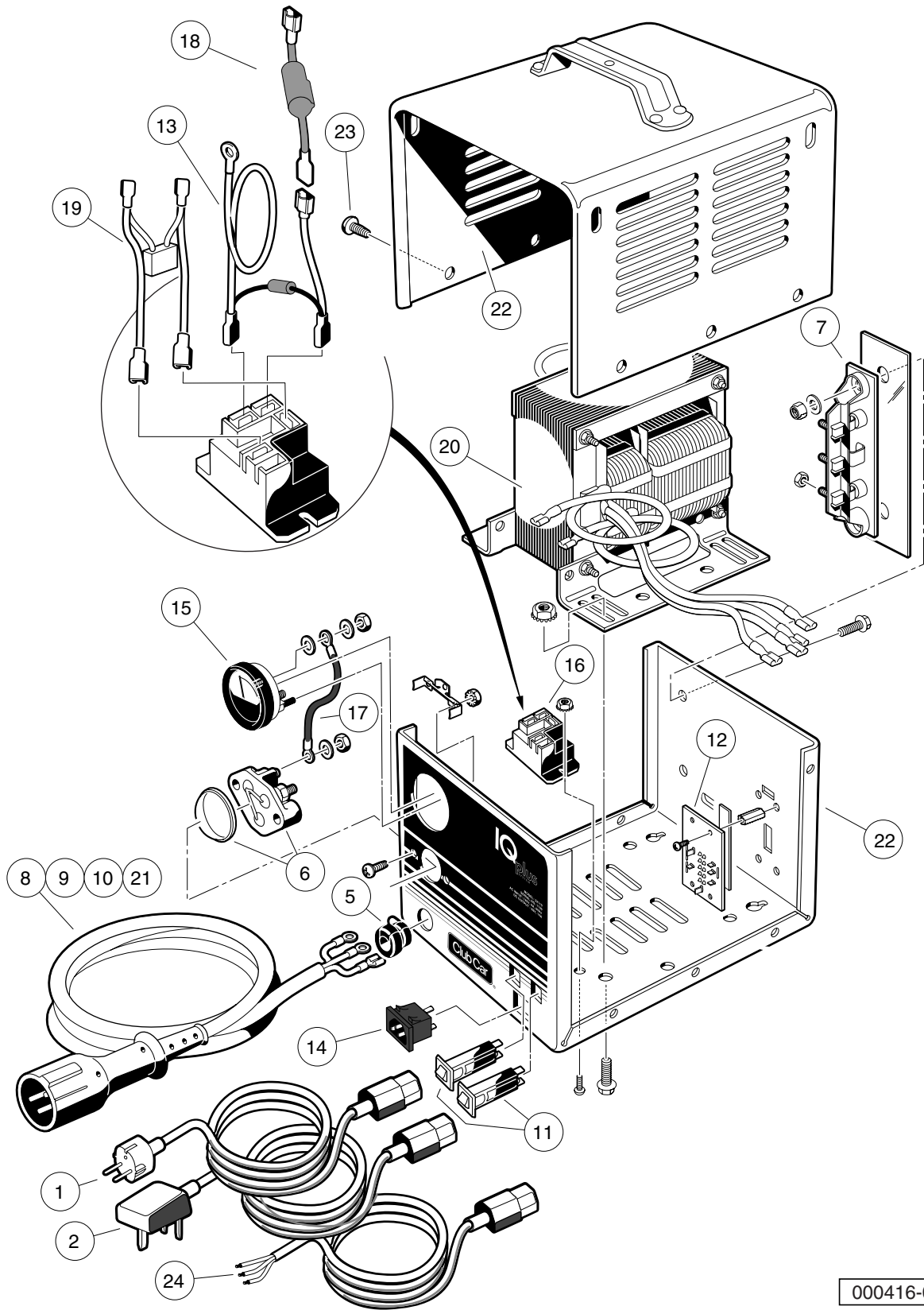
000415-001

IQ PLUS ONBOARD BATTERY CHARGER (MODEL 25260)

ITEM	PART NO.	DESCRIPTION	QTY
		1 2 3 4	
1	102837001	Battery Charger, Onboard, 120-VAC, 48-VDC (includes items 2 through 19)	1
2	1012098	Bushing, DC Cord	1
3	1012101	Fuse Assembly	1
4	1015914	Rectifier with Heatsink Assembly	1
5	1015917	Bushing, AC Cord	1
6	****	Ammeter	1
7	101829001	Cord, AC, 22-Inch (56 cm)	1
8	101831101	Wire Assembly Kit	1
9	****	Mounting Bracket, Relay	1
10	101841901	Control Board	1
11	101914401	Assembly, Voltage Suppressor	1
12	102275401	Relay, 48-VDC	1
13	102838101	Circuit Breaker 250vac-50vdc	1
14	N/A	Transformer, Battery Charger	1
15	102940801	Cord, Dc	1
16	N/A	Case, Battery Charger	1
17	7577	Screw, #10 X 0.50 Phillips Pan-Head	12
18	7847	Screw, 1/4-20 X 0.75 Hex-Head Cap	4
19	8233	Locknut, 1/4-20 Nylon Insert	4
		**** Special order item available upon request.	

9

E



000416-001

IQ PLUS BATTERY CHARGER (MODEL 25880), EXPORT AND EUROPEAN

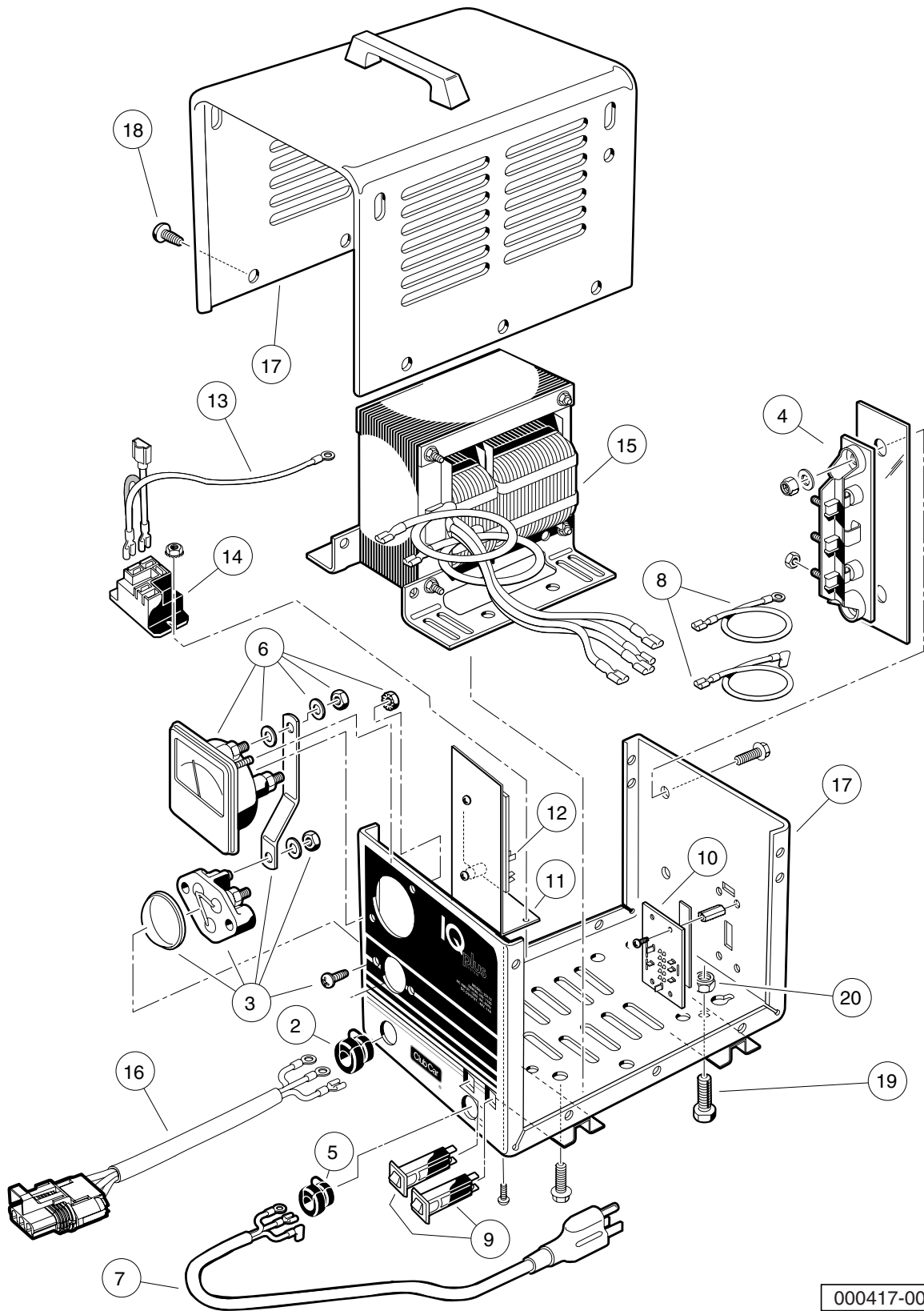
ITEM	PART NO.	DESCRIPTION	QTY
		1 2 3 4	
1	101958201	Cord, UK, AC, Battery Charger	1
2	101958301	Cord, European AC, Battery Charger	1
3	102892901	Charger, Export and European	1
4	102892902	Charger, Export and European (includes items 5 through 23)	1
5	1012098	Bushing, DC Cord	1
6	1012101	Fuse Assembly	1
7	1015914	Rectifier with Heatsink Assembly	1
8	101828901	Cord, DC, 113-Inch (287 cm)	1
9	101828902	Cord, DC, 154-Inch (391 cm)	1
10	101828903	Cord, DC, 250-Inch (635 cm)	1
11	101838401	Circuit Breaker	2
12	101838601	Four-Position Switch	1
13	101914401	Assembly, Voltage Suppressor	1
14	101973501	Receptacle, AC Cord	1
15	101976601	Ammeter with Mounting Bracket	1
16	102275401	Relay, 48-VDC	1
17	N/A	Wire, Jumper	1
18	****	Limiters, Current	1
19	****	Wire Assembly, Battery Charger	1
20	****	Transformer, Battery Charger	1
21	102940801	Cord, Dc	1
22	N/A	Case, Battery Charger	1
23	7577	Screw, #10 X 0.50 Phillips Pan-Head	10
24	102939501	Cord, European AC, Battery Charger	1
**** Special order item available upon request.			

9

E

9

E



000417-001

IQ PLUS ONBOARD BATTERY CHARGER (MODEL 25660), EXPORT

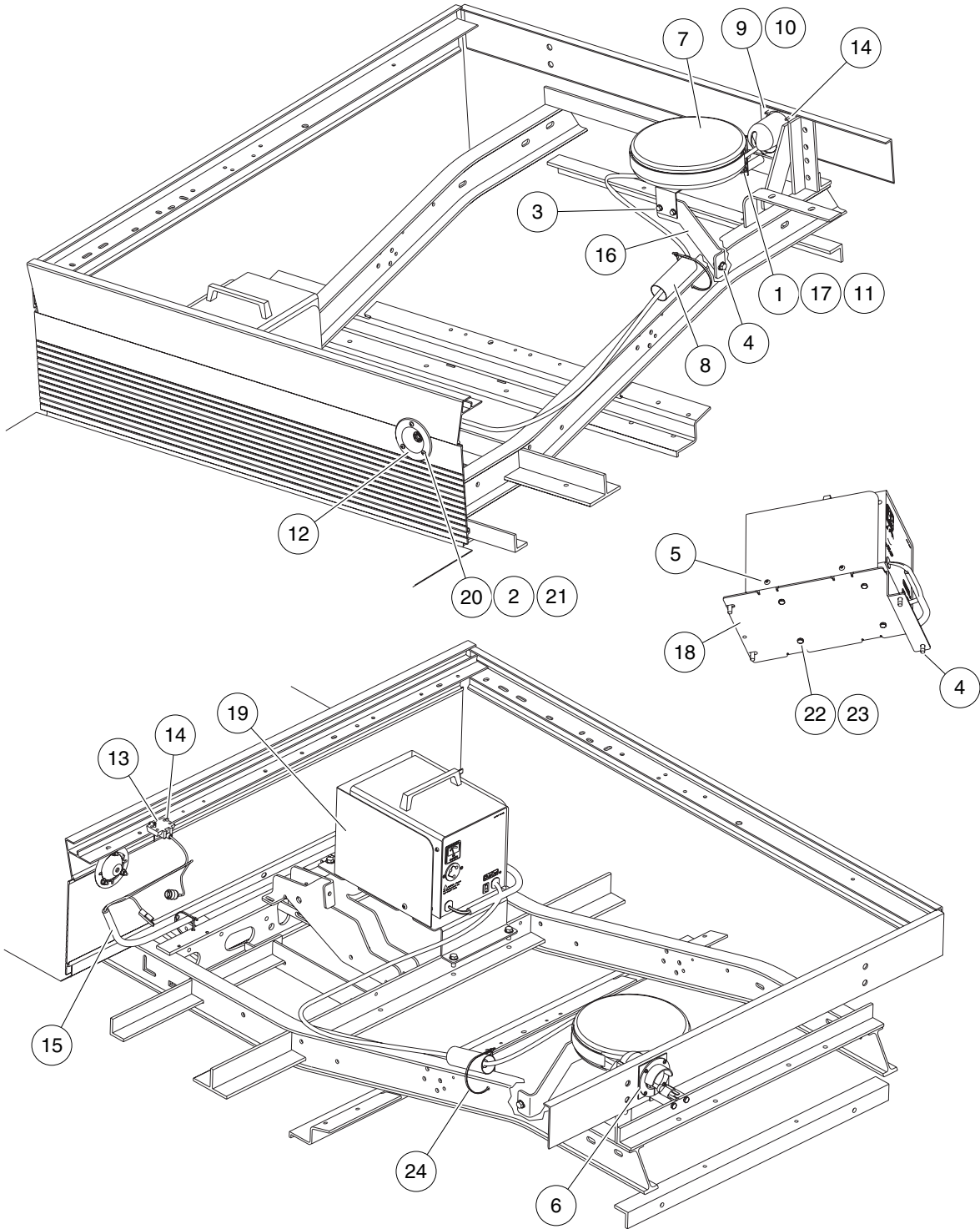
ITEM	PART NO.	DESCRIPTION	QTY
		1 2 3 4	
1	102893001	Battery Charger, Onboard, International, IQ Plus (includes items 2 through 20)	1
2	1012098	Bushing, DC Cord	1
3	1012101	Fuse Assembly	1
4	1015914	Rectifier with Heatsink Assembly	1
5	1015917	Bushing, AC Cord	1
6	****	Ammeter	1
7	101829001	Cord, AC, 22-Inch (56 cm)	1
8	101831101	Wire Assembly Kit	1
9	101838401	Circuit Breaker	2
10	101838601	Four-Position Switch	1
11	****	Mounting Bracket, Relay	1
12	101841901	Control Board	1
13	101914401	Assembly, Voltage Suppressor	1
14	102275401	Relay, 48-VDC	1
15	****	Transformer, Battery Charger	1
16	102940801	Cord, Dc	1
17	N/A	Case, Battery Charger	1
18	7577	Screw, #10 X 0.50 Phillips Pan-Head	12
19	7847	Screw, 1/4-20 X 0.75 Hex-Head Cap	4
20	8233	Locknut, 1/4-20 Nylon Insert	4
**** Special order item available upon request.			

9

E

9

E



000420-004

BATTERY CHARGER AND REEL MOUNTING – CA 2

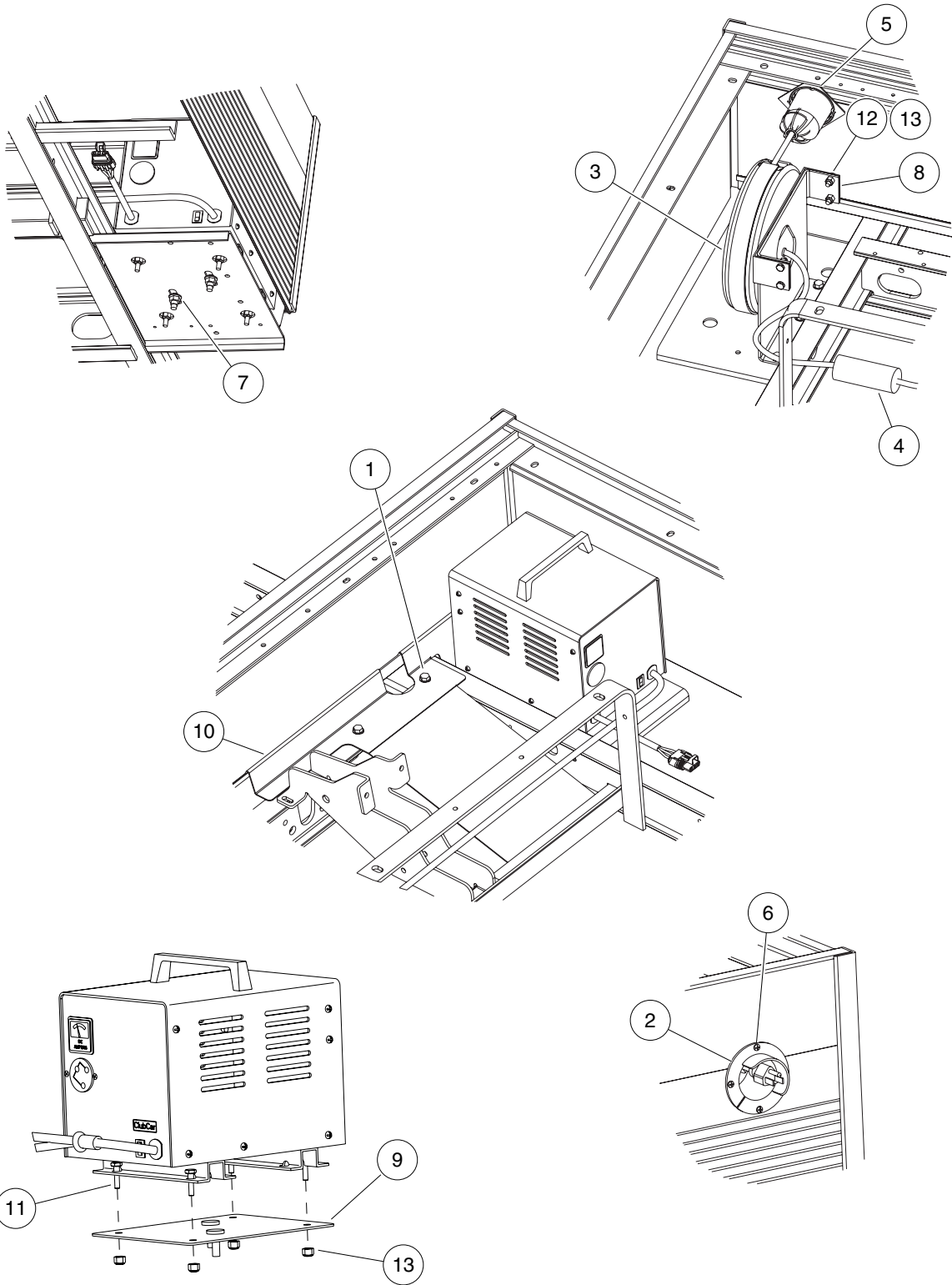
ITEM	PART NO.	DESCRIPTION	QTY
		1 2 3 4	
1	1012159	Bolt, 1/4-20 X 2.75 Hex-Head	2
2	1012438	Locknut, #10-24 Nylon Insert	3
3	1014063	Screw, 1/4-20 X 1.00 Hex Head	2
4	1014288	Screw, 5/16-18 X 0.75 Thread-Forming	5
5	1014321	Screw, #10 Truss-Head Torx	4
6	1016673	Housing, Cord Reel	1
7	1017187	Retractable Cord Reel	1
8	1017189	Heat Shrink Tube 1.5"x 4'	1
9	101801001	Plate, Receptacle Backing	1
10	101832001	Screw, #7-19 X 0.625 Phillips Pan-Head Tap	4
11	101835601	Locknut, 1/4-20 Hex Whiz	2
12	101933701	Bezel, Choke Cable	1
13	101966801	Block, Terminal	1
14	101968801	Rivet, 3/16", Pop	2
15	102881401	Charger Harness, IQ Plus, 55"	1
16	103483801	Brkt, Mtg Cord Reel, Ca2	1
17	103483901	Spacer, Cord Reel, Ca2	2
18	103484001	Plate, Mtg Ob Charger, Ca2	1
19	103485201	Shield, Ob Charger, Ca2	1
20	1631	Screw, #10-24 X 0.75 Phillips Pan-Head	3
21	183	Washer, #10 Type A Flat	3
22	7847	Screw, 1/4-20 X 0.75 Hex-Head Cap	4
23	8233	Locknut, 1/4-20 Nylon Insert	4
24	8990	Tie Wrap, 8" Nylon	2

9

E

9

E



000420-003

BATTERY CHARGER AND REEL MOUNTING – CA 6

ITEM	PART NO.	DESCRIPTION	QTY
		1 2 3 4	
1	1014288	Screw, 5/16-18 X 0.75 Thread-Forming	5
2	1016673	Housing, Cord Reel	1
3	1017187	Retractable Cord Reel	1
4	1017189	Heat Shrink Tube 1.5"x 4'	A/R
5	101801001	Plate, Receptacle Backing	1
6	101832001	Screw, #7-19 X 0.625 Phillips Pan-Head Tap	4
7	101832901	Nut, M10-1.25 Hex Flange	2
8	102770701	Bracket, Reel, Tabbed	1
9	102942601	Asm, Plate, Charger Mounting	1
10	103517001	Shield, Ob Chrgr, Ac Mtr, Ca6	1
11	304	Screw, 1/4-20 X 1.0 Hex-Head Cap	4
12	7847	Screw, 1/4-20 X 0.75 Hex-Head Cap	4
13	8233	Locknut, 1/4-20 Nylon Insert	8

9

E

9

E

MAINTENANCE AND SERVICE TOOLS

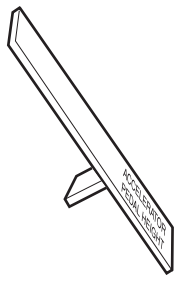
10

G

E

D

10
G
E
D



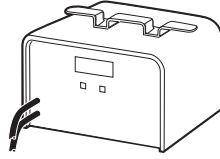
1



2



3



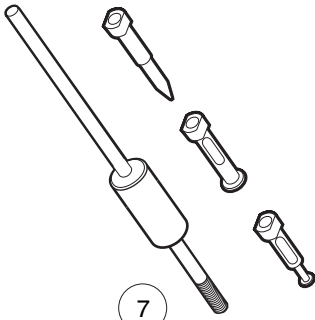
4



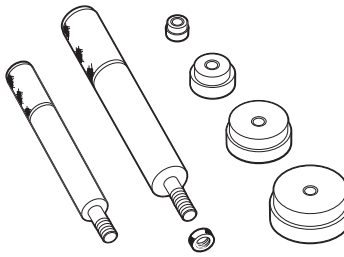
5



6



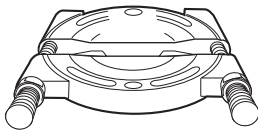
7



8



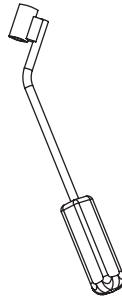
9



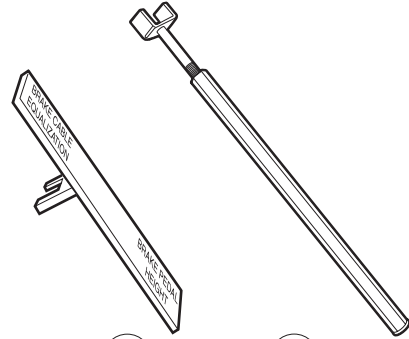
10



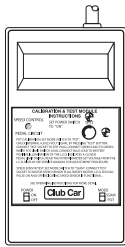
11



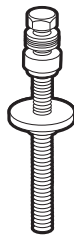
12



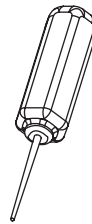
14 15
13



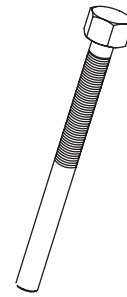
16



17



18



19

MAINTENANCE AND SERVICE TOOLS

ITEM	PART NO.	DESCRIPTION	QTY DIESEL	QTY GAS	QTY ELEC
		<p style="text-align: center;">1 2 3 4</p> <p>The following tool list includes all tools available from Club Car for maintenance and service procedures for gasoline, electric, and/or diesel vehicles, both past and present models. Be sure to carefully examine the tool list for applicability to your vehicle before ordering.</p>			
1	101871001	Accelerator Pedal Adjustment Tool		1	1
2	101813202	Adhesive, Guide Ring, 3-Gram Tube			1
3	101641202	Arbor		1	
4	101831901	Battery Discharge Machine, 36/48 Volt			1
5	1014305	Battery Terminal Protector Spray	1	1	1
6	1011767	Battery Thermometer	1	1	1
7	1016417	Bearing and Oil Seal Remover Assembly	1	1	1
8	1016416	Bearing Driver Set	1	1	1
9	1012811	Bearing Puller	1	1	1
10	1012812	Bearing Puller Wedge Attachment	1	1	1
11	1013582	Brake Adjustment Tool (used only on vehicles with manually adjusted mechanical brakes)		1	1
12	102555501	Brake Cable Release Tool	1	1	1
13	102249901	Brake Pedal Adjustment Tool Kit (used for the Carryall Electric Industrial Truck only) (includes items 14 and 15).....			1
14	****	Brake Pedal Adjustment Tool			1
15	****	Brake Pedal Tension Tool			1
16	101887101	Calibration Test Module			1
17	101808401	Cam Installation Tool		1	
18	102562401	Charger Bezel Tool			1
19	102686101	Clutch Removal Tool (for 4x4 vehicles)	1	1	
		Please refer to the maintenance and service manual for proper tool application.			
	****	Special order item available upon request			

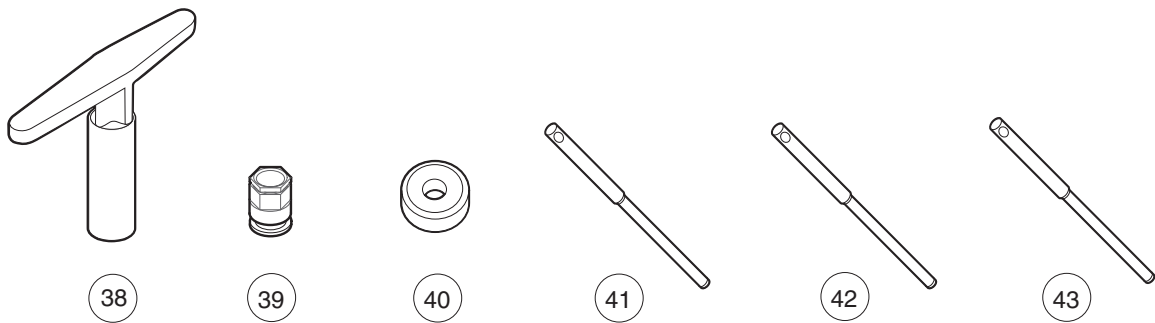
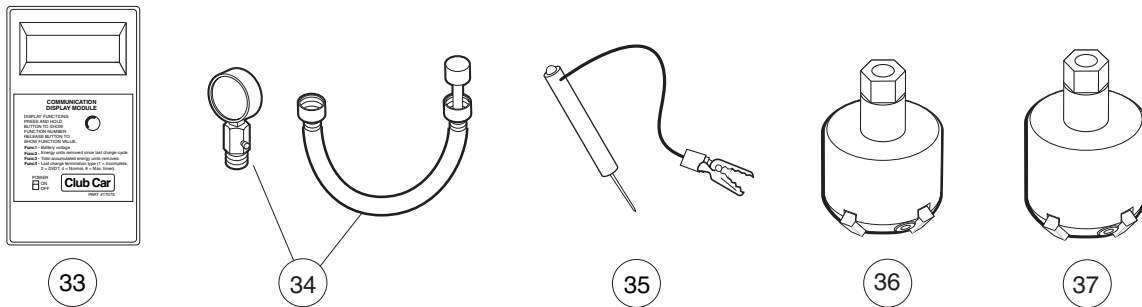
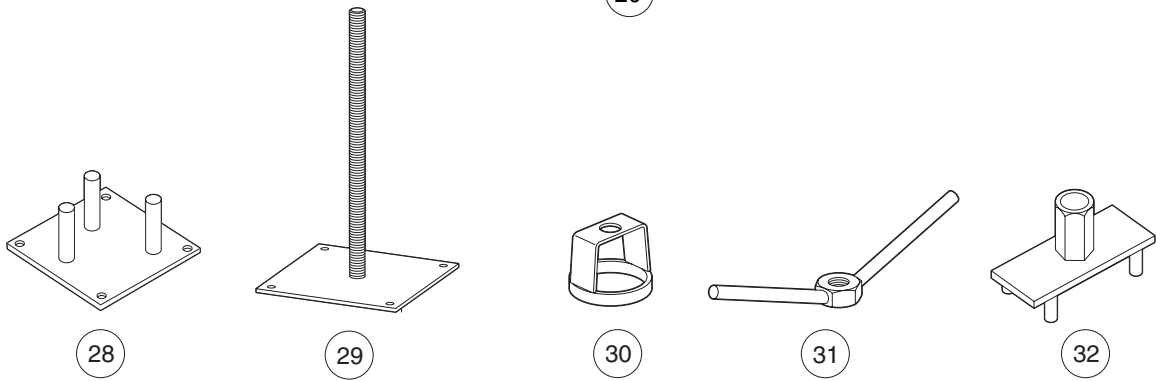
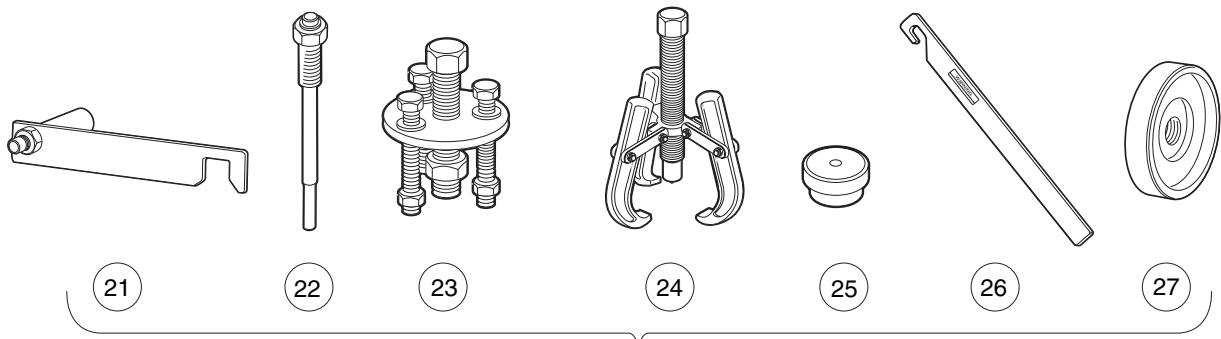
10

G

E

D

10
G
E
D



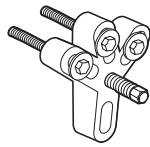
MAINTENANCE AND SERVICE TOOLS, CONTINUED

ITEM	PART NO.	DESCRIPTION	QTY	QTY	QTY	10
			DIESEL	GAS	ELEC	
		1 2 3 4				G
20	1014510	Clutch Tool Kit (includes items 21 - 27)		1		E
21	1014498	Clutch Alignment Tool (for pre-unitized transaxle vehicles built prior to 1997 model year)		1		D
22	1014496	Drive Clutch Puller (for Kawasaki engines only)		1		
23	1014497	Drive Clutch Hub Puller (for Kawasaki engines only)		1		
24	1014508	Driven Clutch Cam Puller (for Kawasaki engines only)		1		
25	1014507	Driven Clutch Puller Plug (for Kawasaki engines only)		1		
26	1015524	Drive Clutch Holder Tool Assembly (for Kawasaki engines only)		1		
27	101809101	Press Weldment (for Kawasaki engines only)		1		
28	102601501	Drive ClutchFixed Sheave Tool (for 4x4 vehicles)	1	1		
29	102603501	Driven Clutch Spring Compression Base (for use with items 30 and 31) (for 4x4 vehicles)	1	1		
30	102605201	Driven Clutch Spring Compression Collar (for use with items 29 and 31) (for 4x4 vehicles)	1	1		
31	102606101	Driven Clutch Spring Compression Nut (for use with items 29 and 30) (for 4x4 vehicles)	1	1		
32	102607501	Drive Clutch Spider Removal Tool (for 4x4 vehicles)	1	1		
33	101831801	Communication Display Module			1	
34	101641002	Compression Gauge and Adapter		1		
35	1011273	Continuity Tester		1	1	
36	102773801	Cutter, Valve Seat, #122		1		
37	102773901	Cutter, Valve Seat #115		1		
38	102774101	Wrench, T, #505.....		1		
39	102774101	Adapter, T-Wrench.....		1		
40	102675401	Cutter, Valve Seat, 60 Degree (requires item 51) (for Honda GX620 Gasoline Engines)		1		
41	102774201	Pilot, 6.6 MM		1		
42	102774301	Pilot, 6.62 MM.....		1		
43	102774401	Pilot, 6.65 MM.....		1		
		Please refer to the maintenance and service manual for proper tool application.				

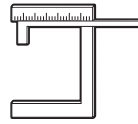
10
G
E
D



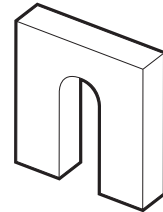
44



45



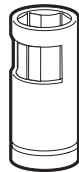
46



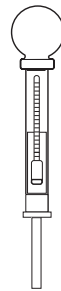
47



48



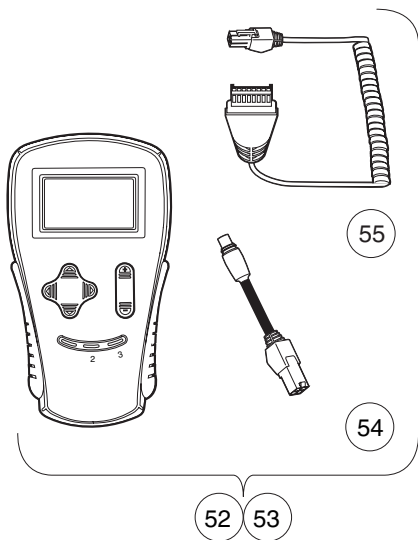
49



50



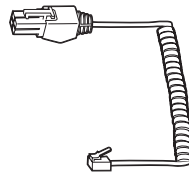
51



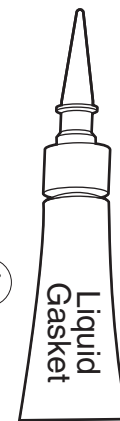
52 53

55

54



56



57



58



59 60



61

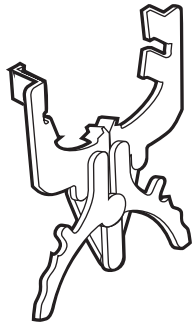
MAINTENANCE AND SERVICE TOOLS, CONTINUED

ITEM	PART NO.	DESCRIPTION	QTY DIESEL	QTY GAS	QTY ELEC	10
		1 2 3 4				
44	1012151	Dry Moly Lubricant	1	1	1	G
45	1016627	Flywheel Puller Kit (for Kawasaki Engines)		1		E
46	102669901	Gauge, Carburetor Float Level (for Honda GX620 Gasoline Engines)		1		D
47	1016418	Gear Yoke	1	1	1	
48	101933101	Governor Shaft Installation Tool (for Kawasaki Engine Vehicles)		1		
49	102169401	Hydraulic Brake Adjuster (for Turf/CA 272/472, Pioneer/XRT 1200, Bobcat 2100, HUV 4213)			1	
50	1011478	Hydrometer	1	1	1	
51	1013593	Internal Retaining Ring Pliers	1	1	1	
52	102248803	IQ Display Module (IQDM) Kit (IQ System and IQ Plus vehicles)			1	
		(includes items 54 and 55)				
53	102248804	IQ Display Module (IQDM-P) Kit (IQ System and IQ Plus vehicles)			1	
		(includes items 54 and 55)				
54	102251501	Adaptor, Cable			1	
55	102241502	IQDM Series 2 Cable			1	
56	102241501	IQDM Series 1 Cable (replacement)			1	
57	101928701	Liquid Gasket (transaxle case)	1	1	1	
58	102243402	Moly-Teflon Lubricant (4-oz. (113-gram) tube)			1	
59	101997201	Paint, Touch-Up – Beige*		1	1	
59	101997207	Paint, Touch-Up – Black*		1	1	
59	101997212	Paint, Touch-Up – Burgundy*		1	1	
59	101997211	Paint, Touch-Up – Classic Blue (Navy)*		1	1	
59	101997205	Paint, Touch-Up – Dark Gray*	1	1	1	
59	101997209	Paint, Touch-Up – Dark Green*	1	1	1	
59	101997204	Paint, Touch-Up – Gray*	1	1	1	
59	101997203	Paint, Touch-Up – Red*	1	1	1	
59	101997206	Paint, Touch-Up – Royal Blue (Pacific Blue)*		1	1	
59	101997202	Paint, Touch-Up – White*	1	1	1	
60	102562301	Paint, Precedent Underbody – Gray		1	1	
61	102587201	Paint Pen, Touch-Up, Precedent Underbody – Black		1	1	
		Please refer to the maintenance and service manual for proper tool application.				
		* Item 59 is not for use on Surlyn [®] body material, which is used on Precedent vehicles.				

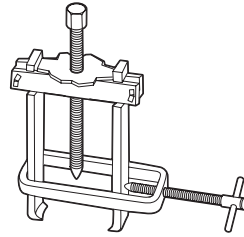
10
G
E
D



62



63



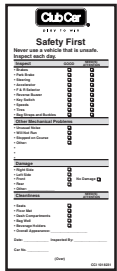
64



65



66



67



68



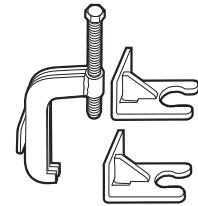
69



70



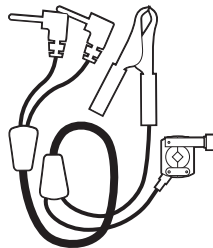
71



72



73



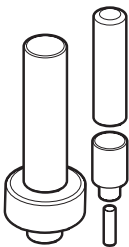
74



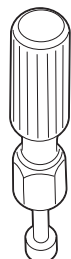
75



76



77



83



84



85



86

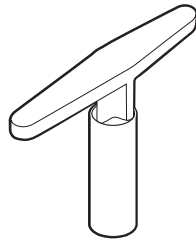
MAINTENANCE AND SERVICE TOOLS, CONTINUED

ITEM	PART NO.	DESCRIPTION	QTY DIESEL	QTY GAS	QTY ELEC	10
		1 2 3 4				G
62	1016414	Piston Ring Compressor Kit (FE290, FE350 and FE400 engines)		1		E
63	1016415	Piston Ring Pliers (for Kawasaki Engines)		1		D
64	102668801	Puller, Special Use (for Kubota D722 Diesel Engines)	1			
65	1012549	Retaining Ring Pliers, 45° External	1	1	1	
66	1012560	Retaining Ring Pliers, 90° Internal	1	1	1	
67	101823101	Safety First Card (50 per pack)	1	1	1	
68	1012809	Seal Puller	1	1	1	
69	102330901	Spanner Wrench (for coil over shock front suspension vehicles only)	1	1		
70	1014264	Steering Column Bearing Press Tool		1	1	
71	1014259	Steering Column Retaining Ring Tool		1	1	
72	102061201	Steering Wheel Puller Tool	1	1	1	
73	AM10753	Tachometer (includes gasoline engine pick up lead only)	1	1		
74	AM10771	Tachometer Diesel Probe (for use with item 73)	1			
75	1014162	Transaxle Axle Seal Tool		1		
76	1014161	Transaxle Pinion Seal Tool		1		
77	1014115	Transmission Tool Kit		1		
78	101611003	Tune-Up Kit, All OHV (for FE290, FE350, FE400 only) (includes air filter, spark plug, oil filter, fuel filters) (not shown)		1		
79	AM11804	Tune-Up Kit, Gx620 (for Honda Engines) (includes air filter, spark plug, oil filter, fuel filters) (not shown)		1		
80	AM11805	Tune-Up Kit, D722 (for Kubota Engines) (includes air filter, oil filter, fuel filters, water separator filter) (not shown)	1			
81	AM1220301	Tune-Up Kit, Precedent (for FE290/350 Engines) (includes air filter, spark plug, oil filter, fuel filters) (not shown)		1		
82	AM1232401	Tune-Up Kit, FH680D (for Kawasaki V-Twin Engines) (includes oil filter, fuel filter, air filter, and spark plugs) (not shown)		1		
83	1016413	Valve Clearance Adjuster Screw Holder (for FE290 engines only)		1		
84	102674601	Valve Guide Driver (for Honda GX620 Gasoline Engines)		1		
85	101641201	Valve Guide Reamer (FE290, FE350, and FE400 only)		1		
86	102674401	Valve Guide Reamer, 6.6 mm (for Honda GX620 Gasoline Engines)		1		

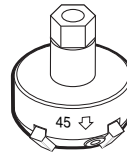
10
G
E
D



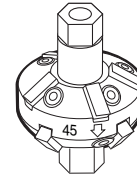
87



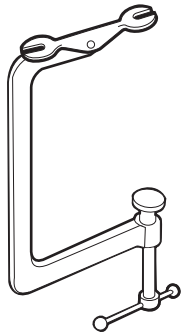
88



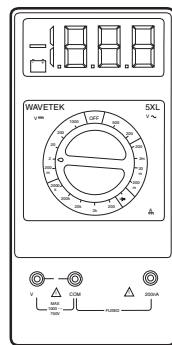
89



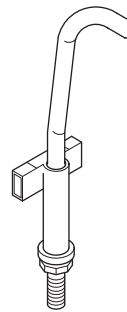
90



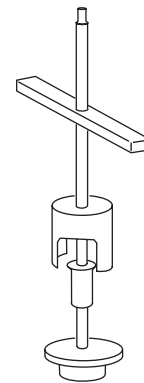
91



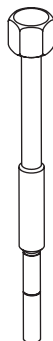
92



93



94



95

MAINTENANCE AND SERVICE TOOLS, CONTINUED

ITEM	PART NO.	DESCRIPTION	QTY DIESEL	QTY GAS	QTY ELEC	10
		1 2 3 4				
87	1016552	Valve Seat Cutter Guide		1		G
88	1016551	Valve Seat Cutter T-Wrench		1		E
89	1016553	Valve Seat Cutter, 45° (32 mm diameter) (for FE290 engines only)		1		D
90	1016554	Valve Seat Cutter, 45°/30° (35 mm diameter)		1		
91	101641101	Valve Spring Compressor		1		
92	1011480	Volt Ohm Meter	1	1	1	
93	102570401	Tool, Tensioning, Starter Generator (For Precedent vehicles)		1		
94	103601401	Puller, Drive Clutch, XRT 950.....		1		
95	103601701	Tool, Disassembly, Driven Clutch, XRT 950.....		1		

INDEX

Part Number and Page

AM10753	10-9	4-5, 6-3, 6-9, 6-47, 9-5, 9-9, 9-11, 9-13	1011990	1-25, 1-33, 4-11, 4-13	
AM10771	10-9	8248	3-3	1012098	9-3, 9-5, 9-7, 9-9
183	6-37, 9-11	8574	4-7, 4-9	1012101	9-3, 9-5, 9-7, 9-9
304	6-3, 9-13	8717	4-5	1012151	10-7
332	1-9, 1-11, 1-21, 1-25, 1-27, 1-29, 1-31, 1-35, 3-3, 6-3, 6-9	8745	5-13	1012159	9-11
334	1-11, 4-5, 4-7, 4-9, 5-7, 5-11	8754	1-7, 1-31, 4-5, 4-11, 4-13, 5-7, 5-9, 5-11, 5-13, 5-15	1012285	1-35, 4-7, 4-9
357	1-33, 5-13	8755	1-7, 1-31, 5-13, 5-15	1012295	6-37
403	1-7	8861	5-9	1012303	1-7, 1-31, 5-13, 5-15
451	1-21, 1-25	8915	4-7, 4-9	1012412	1-21
705	1-31, 1-33, 4-11, 4-13, 5-11	8935	1-21	1012438	1-17, 6-37, 9-11
706	1-33, 5-13	8990	4-7, 4-9, 5-7, 6-3, 6-19, 6-33, 6-35, 6-47, 9-11	1012467	5-7
1016	6-37	1010005	5-17	1012505	6-15, 6-17
1017	6-37	1010124	5-13	1012528	6-33, 6-35
1028	1-25, 4-15	1010138	5-9	1012549	10-9
1032	1-25	1010145	5-15	1012560	10-9
1035	1-11, 5-7, 5-9	1010150	5-13	1012565	5-3
1218	4-7, 4-9	1010200	5-13	1012566	5-3
1231	1-25	1010219	5-9	1012571	6-39, 6-41, 6-43, 6-45
1241	1-13, 1-23, 1-33, 4-5, 4-7, 4-9, 4-15, 6-11	1010434	1-13, 1-25	1012604	5-11
1242	1-33, 5-17	1010435	1-7, 1-13, 1-23, 1-29	1012605	5-11
1308	5-9	1010436	1-29	1012809	10-9
1606	6-9	1010521	4-11, 4-13	1012811	10-3
1624	4-5, 5-7	1010546	1-13	1012812	10-3
1631	9-11	1010829	4-11, 4-13	1012830	1-21
2402	5-9	1010878	1-9, 1-31, 4-15	1013035	5-7
4029	6-3	1010921	4-15	1013042	5-7
7048	5-17	1010934	1-23, 1-27, 1-33	1013044	5-7
7049	1-27	1010984	2-3	1013051	5-7
7173	6-11	1011014	1-13	1013052	5-7
7174	1-33	1011017	1-13	1013061	6-7
7251	1-13	1011229	6-3	1013135	5-17
7310	2-3	1011273	10-5	1013317	1-25
7311	1-21	1011394	1-13	1013343	1-3
7330	8-3	1011402	4-15	1013344	1-3
7336	8-3	1011415	5-15	1013357	6-3
7473	1-7, 1-13, 1-21, 1-23, 1-27, 1-29, 4-5, 4-7, 4-9, 4-15, 6-11	1011439	6-11	1013366	1-29
7532	1-7	1011478	10-7	1013413	1-31
7539	5-9	1011480	10-11	1013422	1-5
7540	5-7, 5-9	101149202	6-9	1013461	6-31
7555	5-7, 5-9	1011497	6-13	1013483	1-33
7577	9-3, 9-5, 9-7, 9-9	1011553	1-33, 3-7	1013494	6-15, 6-17
7591	6-3, 6-9, 6-13	1011557	6-11, 6-13	1013531	4-11, 4-13, 4-15
7602	5-7, 5-9	1011558	6-9, 6-13	1013547	6-47
7716	4-5, 4-15	1011582	6-13	1013582	10-3
7820	6-3	1011652	1-21	1013593	10-7
7840	5-17	1011694	4-5	1013677	3-7, 3-9
7847	1-5, 1-11, 1-21, 1-35, 6-47, 9-5, 9-9, 9-11, 9-13	1011697	1-21	1013734	1-21, 6-33, 6-35
7893	1-17	1011700	4-5	1013794	8-3
7910	5-17	1011767	10-3	1013871	4-5
7973	1-3	1011779	4-11, 4-13	1013872	1-31
8067	5-17	1011825	6-3	1014007	4-5
8233	1-9, 1-11, 1-21, 1-27, 1-29, 1-31, 1-35, 3-3,	1011843	6-13	1014063	9-11
		1011930	5-7, 5-9	1014115	10-9
		1011931	4-5, 6-9	1014125	5-11
				1014126	5-11
				1014161	10-9

INDEX

1014162	10-9	1015752	4-15, 6-5	101693906	1-13
1014201	6-9	1015914	9-3, 9-5, 9-7, 9-9	101693909	1-13
1014213	5-11	1015917	9-3, 9-5, 9-9	101693910	1-13
1014214	5-11	1016060	1-9	101693911	1-13
1014217	5-11	1016077	1-23	101693912	1-13
1014259	10-9	1016078	1-9	101693913	1-13
1014264	10-9	101609401	3-5, 3-9	101693914	1-13
1014276	5-13	101611003	10-9	1016943	1-23
1014288	6-33, 6-35, 9-11, 9-13	1016154	5-3	1016944	1-23
1014305	10-3	101615504	5-5	1016948	1-23
1014306	1-29, 1-35, 6-47	1016156	5-3, 5-5	1016952	1-5
1014321	1-27, 4-11, 4-13, 9-11	1016214	5-3	1016967	1-13, 6-33, 6-35
1014387	1-27	1016219	5-3	1017035	6-13
1014415	1-27, 1-29	1016346	5-9	1017062	6-31
1014471	1-7, 1-23	1016349	5-9	1017064	6-31
1014496	10-5	1016350	5-9	1017065	6-31
1014497	10-5	1016353	5-9	1017077	1-23
1014498	10-5	1016356	6-3	1017080	1-13
1014507	10-5	1016363	6-37	1017082	1-17
1014508	10-5	1016366	6-37	1017187	9-11, 9-13
1014510	10-5	1016384	5-13	1017189	9-11, 9-13
1014537	1-27, 1-29	1016385	5-9	1017266	5-9
1014540	6-47	1016386	5-13	1017273	5-3, 5-5
1014555	5-15	1016387	5-13	101731502	5-11
1014902	5-15	1016389	5-13	101734802	1-13
101503202	1-3	101641002	10-5	1017378	4-5
1015072	6-39, 6-41, 6-43, 6-45	101641101	10-11	1017380	4-5
1015075	1-13	101641201	10-9	1017424	4-5
1015245	1-25	101641202	10-3	1017696	4-5
1015252	1-7	1016413	10-9	1017699	6-13
1015277	1-9	1016414	10-9	1017705	6-7
1015313	1-25	1016415	10-9	1017853	6-3, 6-9
1015363	1-25	1016416	10-3	101791101	4-3
1015366	1-25	1016417	10-3	101796201	4-5
1015368	1-25	1016418	10-7	101796501	6-7
1015390	1-25	1016551	10-11	101796801	6-7
1015391	1-7	1016552	10-11	101801001	6-7, 9-11, 9-13
1015392	6-21	1016553	10-11	101806005	4-15
1015399	1-7, 1-23, 1-27, 1-29	1016554	10-11	101808401	10-3
1015400	1-7, 1-25	101661601	6-41, 6-45	101809101	10-5
1015405	1-13	1016627	10-7	101813202	10-3
1015412	1-25	1016631	6-37	101817401	4-5
1015424	1-25	1016663	5-3, 5-5	101823101	10-9
101542901	1-7	1016673	9-11, 9-13	101825101	3-5, 3-11, 6-15, 6-17
1015445	1-33	1016679	1-35	101826201	6-15, 6-17
1015507	1-7, 1-31	101670201	3-13, 3-15	101828801	9-3
1015524	10-5	1016849	6-15, 6-17	101828802	9-3
1015528	6-15, 6-17	1016851	6-15, 6-17	101828901	9-3, 9-7
1015530	1-35	1016868	1-13	101828902	9-3, 9-7
101553901	1-25, 3-5, 3-9	1016877	6-47	101828903	9-3, 9-7
1015583	1-7, 1-31, 5-13, 5-15	1016879	6-31	101829001	9-5, 9-9
1015597	5-7, 5-9, 5-17	1016880	6-31	101830601	6-15, 6-17
1015607	1-25	1016881	1-23	101830701	6-15, 6-17
1015720	6-33, 6-35	101691401	1-23	101831101	9-3, 9-5, 9-9
1015727	1-31	101693901	1-13	101831401	6-39, 6-41, 6-43, 6-45
1015741	6-37	101693902	1-13	101831801	10-5

INDEX

101831901	10-3	101932201	6-11	102050501	4-3
101832001	4-11, 4-13, 6-7, 9-11, 9-13	101933101	10-7	102050601	4-3
101832901	9-13	101933701	9-11	102050701	4-3
101834502	6-15, 6-17	101936801	6-5	102050801	4-3
101835601	1-7, 1-9, 6-37, 9-11	101953101	4-15	102050902	4-3
101838401	9-7, 9-9	101953105	4-15	102051201	4-7, 4-9
101838601	9-7, 9-9	101955101	6-3	102051301	4-7, 4-9
101841901	9-5, 9-9	101957101	6-11	102051401	4-7, 4-9
101851101	6-15, 6-17	101958201	9-7	102052801	4-11, 4-13
101856001	6-15, 6-17	101958301	9-7	102059001	1-21
101856101	1-15	101958601	1-9	102059401	1-21
101861901	4-5	101963401	1-27, 1-29	102059501	1-21
101862001	4-5	101964601	3-11	102060201	1-21
101870401	1-13	101966801	9-11	102061101	1-21
101870501	5-13	101968801	9-11	102061201	10-9
101871001	10-3	101972001	10-7	102065901	1-7, 1-31
101878302	5-7	101972002	10-7	102066001	1-31
101879401	5-7	101972003	10-7	102066201	5-15
101879501	5-7	101972004	10-7	102101001	4-15, 6-5
101879601	5-7	101972005	10-7	102101101	4-15, 6-5
101879701	5-7	101972006	10-7	102169401	10-7
101879801	5-7	101972007	10-7	102196901	6-15, 6-17
101879901	5-7	101972009	10-7	102197901	5-13
101880001	5-7	101972011	10-7	1022006	6-31
101880101	5-7	101972012	10-7	102221301	1-29
101880201	5-7	101972101	8-3	102221401	1-29
101880301	5-7	101972201	8-3	102221501	1-29
101887101	10-3	101973501	9-7	102221701	1-29
101887601	1-21	101976601	9-7	102221801	1-29
101894304	1-29	101988005	6-31	102222001	1-29
101894702	1-27	101988006	6-31	102222101	1-29
101894901	6-7	101988101	6-31	102222201	1-29
101895401	8-3	101988202	6-31	102239901	1-29
101895501	8-3	101997902	6-47	102240501	6-33, 6-35
101897001	8-3	102023701	1-21	102241501	10-7
101897201	8-3	102026001	4-5	102241502	10-7
101897401	8-3	102026401	1-21	102243402	10-7
101897601	8-3	102026901	1-21	102248803	10-7
101900801	4-11, 4-13	102028302	4-11, 4-13	102249901	10-3
101903101	5-13	102028601	4-15	102251501	10-7
101903601	8-3	102028803	4-15	102259401	1-31
101903701	8-3	102028903	4-15	102275401	9-3, 9-5, 9-7, 9-9
101906901	8-3	102029501	1-21	102292801	4-7, 4-9, 4-11, 4-13
101908101	6-21	102033201	4-7, 4-9	102301401	1-11
101908401	6-21	102033401	4-3	102311501	1-15
101914401	6-3, 9-3, 9-5, 9-7, 9-9	102033701	4-11, 4-13	102313301	1-17
101916901	4-15	102047001	1-21	102314901	1-17
101920101	6-5	102049401	4-3	102315001	1-17
101922101	8-3	102049501	4-3	102323101	4-7, 4-9, 4-15
101922201	8-3	102049601	4-3	102323201	4-7, 4-9, 4-15
101923001	8-3	102049701	4-3	102330901	10-9
101923201	8-3	102049901	4-3	102332501	3-5, 3-9
101923501	8-3	102050001	4-3	102352201	6-37
101923701	8-3	102050101	4-3	102356601	8-3
101923901	8-3	102050201	4-3	102356801	8-3
101928701	8-3, 10-7	102050401	4-3	102357001	8-3

INDEX

102418101	1-11	102886501	8-3	103458301	6-25, 6-33
102444601	4-11, 4-13	102886601	8-3	103463701	1-19
102459301	3-7	102892901	9-7	103463801	1-19
102488001	4-7, 4-9	102892902	9-7	103463901	1-19
102491601	4-7, 4-9	102893001	9-9	103471001	4-7
102493301	4-7, 4-9	102915601	6-13	103480301	4-11
102508701	6-15, 6-17	102915701	6-21	103480801	4-7, 4-9
102517501	6-9	102917101	5-15	103480901	4-7, 4-9
102518301	3-7, 3-11	102939501	9-7	103481001	4-7, 4-9
102519001	4-7, 4-9	102940801	9-5, 9-7, 9-9	103481301	6-39, 6-41
102546401	6-9	102942601	9-13	103481401	6-39, 6-41
102555501	10-3	102949701	5-17	103481501	6-39, 6-41
102556702	2-3	102976401	4-7, 4-9	103481601	6-39, 6-41, 6-43, 6-45
102562401	10-3	102976502	4-7, 4-9	103483801	9-11
102570401	10-11	102976701	4-7, 4-9	103483901	9-11
102572401	6-15, 6-17	102977002	6-15, 6-17	103484001	9-11
102601501	10-5	102979203	2-3	103484101	6-9
102603501	10-5	102979204	2-3	103484801	8-3
102605201	10-5	102989501	1-7	103485201	9-11
102606101	10-5	103180101	6-15, 6-17	103491301	4-9
102607501	10-5	103186113	6-15	103493101	6-43, 6-45
102614401	1-29	103186114	6-17	103493201	6-43, 6-45
102668801	10-9	103193901	5-17	103497301	6-29, 6-35
102669901	10-7	103194001	5-17	103497401	6-29, 6-35
102673201	1-29	103194101	5-17	103498801	6-19
102674001	10-5	103194201	5-17	103499301	3-5, 3-9, 6-15, 6-17
102674101	10-5	103196202	5-17	103499601	6-21
102674201	10-5	103198301	6-15	103500501	3-5
102674401	10-9	103210301	3-5, 3-11, 6-15, 6-17	103500601	3-9
102674601	10-9	103218601	6-15, 6-17	103501001	6-9
102675001	10-5	103232101	5-11	103501101	6-9
102675101	10-5	103232201	5-11	103501201	6-9
102675201	10-5	103255701	6-3	103501301	3-5, 3-9
102675301	10-5	103263101	4-7, 4-9	103501401	3-5, 3-9
102675401	10-5	103267001	1-21	103506301	1-17
102686101	10-3	103348202	6-17	103508401	1-15
102764401	6-39, 6-43	103351001	5-9	103509401	1-23
102770701	9-13	103351101	5-15	103509602	1-23
102772401	6-33, 6-35	103354401	6-17	103510101	6-33
102774701	6-33, 6-35	103388601	1-25	103510201	6-33, 6-35
102787701	6-37	103388602	1-25	103511001	6-35
102817101	6-33, 6-35	103397901	6-3, 6-33, 6-35	103514701	6-33
102837001	9-5	103406501	1-25	103514702	6-35
102838101	9-3, 9-5	103406502	1-25	103515201	1-19
102845101	3-7, 3-9	103406601	1-25	103515301	3-7, 3-11
102847801	9-3	103414901	6-3	103515401	3-13
102847802	9-3	103415001	6-3	103515501	3-13
102847803	9-3	103448501	5-17	103515601	3-15
102848701	6-7	103451101	6-33, 6-35	103515701	3-15
102850502	1-17	103452401	6-33, 6-35	103516901	3-13, 3-15
102869401	6-3	103452901	7-3	103517001	9-13
102871801	5-15	103453301	6-39	103517801	3-13, 3-15
102873401	6-39, 6-41, 6-43, 6-45	103453302	6-41	103517901	6-33, 6-35
102881401	9-11	103457801	6-43	103524601	5-15
102886301	8-3	103457802	6-45	103524701	5-15
102886401	8-3	103458201	6-25, 6-33	103525201	4-11

INDEX

103525301 4-13
103525801 4-11, 4-13
103528901 6-39, 6-41, 6-43, 6-45
103529001 6-39, 6-41, 6-43, 6-45
103529101 6-39, 6-41
103531501 3-5, 3-9
103532101 3-5, 3-11
103537001 3-5, 3-9
103538701 1-7, 1-31
103538901 1-7, 1-31
103573801 3-3
103574501 8-3
103583001 7-3
103583101 7-3
103583301 7-3
103583501 7-3
103583601 7-3
103583701 7-3
103583801 7-3
103587101 7-3

A

AC cord 9-3, 9-5, 9-7, 9-9
AC cord receptacle 9-7
accelerator bracket and bearing assembly 4-5
accelerator pedal 4-5
accelerator pedal adjustment tool 10-3
accelerator pivot rod 4-5
accelerator return spring 4-5
access door hinge 1-23
adapter
 cable (IQDM) 10-7
adhesive, guide ring 10-3
adjuster
 hydraulic brake 10-7
ammeter 9-3, 9-5, 9-7, 9-9
A-plate strap 5-9
A-plate, delta 5-9
arbor 10-3
assembly
 accelerator bracket and bearing 4-5
 accelerator pivot rod 4-5
 backing plate 4-3
 bearing, steering shaft 5-11
 brake cluster 4-3
 delta A-plate 5-9
 delta shock and gear support 5-9
 filler cap 4-7, 4-9
 inner ball joint 5-7
 kingpin 5-13
 latch weld 1-7
 park brake 4-3
 park brake lever 4-11, 4-13
 score card plate 5-3
 seat support 1-21
 steering wheel 5-3, 5-5

tailgate 1-29
tether 1-29
tilt bed 1-7
turn signal lens 6-31
axle 8-3
axle shaft oil seal 8-3
axle tube 8-3

B

backing plate 4-3
ball joint 5-7, 5-9
ball joint, left-hand thread 5-7, 5-9
banjo bolt 4-7, 4-9
bar, drive 4-15, 6-5
barrel, plastic 1-13, 1-25
base, seat holder 1-21
battery cap, 6-volt 6-39, 6-41, 6-43, 6-45
battery charger 9-3, 9-7
battery charger case 9-3, 9-5, 9-7, 9-9
battery charger harness 9-11
battery charger receptacle 6-7
battery charger transformer 9-3, 9-5, 9-7, 9-9
battery charger wire assembly 9-7
battery charger, onboard 9-5, 9-9
battery condition indicator 6-17
battery discharge machine 10-3
battery light 6-15, 6-17
battery terminal protector spray 10-3
battery thermometer 10-3
battery, 6-volt, Trojan T105 6-41, 6-45
battery, 6-volt, Trojan T145 6-39, 6-43
bearing 8-3
 ball (steering pinion) 5-7
 front wheel hub 5-17
 inner axle tube 8-3
 lower pinion (steering) 5-7
 pivot support 4-5
 steering shaft 5-11
 thrust 5-13
bearing and oil seal remover 10-3
bearing driver set 10-3
bearing puller 10-3
bearing puller wedge 10-3
bearing seat 5-11
bed floor plate 1-7
bed floor plate, rear 1-23
bed frame, long 1-23
bed latch 1-25
bed latch spring 1-25
bed seal 1-7, 1-21
bed, tilt 1-7
bellows 5-7
bezel, choke cable 9-11
bezel, headlight 6-31
bezel, taillight 6-13
block, brake-mounting 4-15

block, fuse 6-37
block, terminal 6-3
body kick plate 1-21
bolt
 banjo 4-7, 4-9
bolt, U- 5-15
boot
 master cylinder 4-7, 4-9
 park brake 4-11, 4-13
boot shield 4-11, 4-13
boot, switch 6-21
box
 cargo 1-25, 1-29
 steering gear 5-7
brace, trailer hitch 1-33
bracket
 brake light switch 6-11
 headlight mounting 6-31
 horn 6-3
 hour meter 6-47
 relay mounting 9-5, 9-9
 stake side 1-23
brake adjustment tool 10-3
brake cable hanger 4-11, 4-13
brake cable release tool 10-3
brake cluster 4-3
brake disk, front 5-17
brake drum 4-3
brake light switch bracket 6-11
brake mounting block 4-15
brake pedal 4-15
brake pedal adjustment tool 10-3
brake pedal tension tool 10-3
brake return spring 4-11, 4-13, 4-15
brake, park 4-3
breaker, circuit 9-7, 9-9
breather 8-3
bucket seat 1-21
bulb, headlight 6-31
bulb, tail light 6-13
bumper
 front 1-13
 front, heavy duty 1-13
 front, kit 1-13
 rubber 1-9, 1-29, 1-31, 4-15
 spring return 4-5
bumper, heavy duty 1-13
bushing
 bronze 5-17
 nylon 1-25, 1-27
 snap-in 1-25
 spindle 5-17
 steel 1-7, 1-31, 5-13, 5-15
 urethane 1-7, 1-31, 5-9, 5-13, 5-15
buzzer, reverse 6-15, 6-17

INDEX

C

cab kit 1-19
cable
 IQDM 10-7
 park brake asm, center 4-11
calibration test module 10-3
cam installation tool 10-3
cap
 battery, 6-volt 6-39, 6-41, 6-43, 6-45
 corner 1-27
 dust 6-15, 6-17
 filler 4-7, 4-9
 key switch 6-15, 6-17
cap, front corner 1-29
carburetor float level tool 10-7
card, safety first 10-9
cargo bed, side panel 1-25
cargo box 1-25, 1-29
case
 battery charger 9-3, 9-5, 9-7, 9-9
 gear 8-3
charger bezel tool 10-3
charger receptacle 6-7
charger, battery 9-3, 9-7
charger, battery, onboard 9-5, 9-9
choke cable bezel 9-11
circuit breaker 9-3, 9-5, 9-7, 9-9
clevis, upper delta 5-13
clip
 hair pin 1-29
clip, rod 1-31
clip, score card 5-3
clutch alignment tool 10-5
clutch removal tool 10-3
clutch tool kit 10-5
communication display module 10-5
compression gauge 10-5
compressor, piston ring 10-9
compressor, valve spring 10-11
computer, onboard 6-33
console cover 1-21
continuity tester 10-5
control board 9-5, 9-9
controller 6-33, 6-35
converter, DC/DC 6-37
cord reel 9-11, 9-13
cord, AC 9-3, 9-5, 9-7, 9-9
cord, DC 9-3, 9-5, 9-7, 9-9
corner cap 1-29
cover
 console 1-21
 dust 4-3
 electrical component 6-33, 6-35
 fuse block 6-37
 rocker switch hole 6-15, 6-17

 screw head 6-15, 6-17
cowl 1-13
C-type stop ring 5-7
cup holder 1-5
cup holder, seat 1-21
cup, spring 4-5
current limiter 9-7
cushion, shock absorber 5-15
cutter, valve seat 10-5, 10-11
cylinder, master 4-7, 4-9
cylinder, wheel 4-3

D

dash component 1-3
dash panel 6-15, 6-17
DC cord 9-3, 9-5, 9-7, 9-9
DC/DC converter 6-37
decal
 battery danger 3-7, 3-9
 bed hold-down bolts 3-11
 bed load warning 1-25, 3-5, 3-9
 Club Car tailgate 1-29
 crush area warning 3-5, 3-7, 3-9
 electrical cover safety 3-7, 3-11
 FNR 3-5, 3-11, 6-15, 6-17
 no ground warning 3-11
 on/off 3-5, 3-11, 6-15, 6-17
 tailgate 1-25
 Tow/Run switch 3-7, 3-9
 trailer hitch 1-33, 3-7
delta A-plate 5-9
delta A-plate sub-assembly 5-9
delta shock and gear support 5-9
diagnostic port 6-15, 6-17
diesel tachometer probe 10-9
differential gear 8-3
differential housing 8-3
disc rotor 5-17
door latch 1-23
doors, cab 1-19
drive bar 4-15, 6-5
drive clutch fixed sheave tool 10-5
drive clutch holder tool 10-5
drive clutch hub puller 10-5
drive clutch puller 10-5
drive clutch spider removal tool 10-5
driven clutch cam puller 10-5
driven clutch puller plug 10-5
driven clutch spring compression base tool 10-5
driven clutch spring compression collar tool 10-5
driven clutch spring compression nut tool 10-5
drum, brake 4-3
dry moly lubricant 10-7

dust cap 6-15, 6-17
dust cover 4-3

E

eccentric adjustment screw 5-13
E-clip 4-11, 4-13
electrical component cover 6-33, 6-35
equalizer rod 4-15
extension, spring latch 1-7
extrusion, fender 1-13

F

fender extrusion 1-13
fender, rear 1-35
filler cap 4-7, 4-9
fitting, thread-forming grease 5-7, 5-9, 5-17
flasher, turn signal, 12-volt 6-9
floor mat 1-3
floor plate, bed 1-7
flywheel puller 10-7
frame, tilt bed 1-7
front bumper 1-13
front bumper kit 1-13
front spring retainer plate 5-13
fuse 6-7, 9-3, 9-5, 9-7, 9-9
 10-amp 6-37
 3/8-amp 6-7
fuse and receptacle 6-7
fuse block 6-37
fuse block cover 6-37
fuse block, cab 1-19

G

gasket 8-3
 liquid 8-3, 10-7
 taillight 6-13
gauge, battery condition 6-17
gauge, compression 10-5
gear
 case 8-3
 differential 8-3
 differential idler 8-3
 differential output 8-3
gear yoke 10-7
governor shaft installation tool 10-7
grip, pencil 5-3
grip, tilt latch hand 1-7, 1-25
guide
 valve seat cutter 10-11
guide ring adhesive 10-3

H

hair pin clip 1-29
hanger, brake cable 4-11, 4-13
hardware

INDEX

axle 4-3
harness, battery charger 9-11
harness, headlight 6-3
headlight bulb 6-31
headlight lens 6-31
headlight retainer 6-31
headlight wire harness 6-3
heat shrink tube 9-11, 9-13
heatsink and rectifier 9-3, 9-5, 9-7, 9-9
heavy duty bumper 1-13
hinge plate 1-21
hinge, access door 1-23
hitch, trailer 1-33
hold-down, brake shoe 4-3
holder, cup 1-5
holder, license plate 1-17
hole plug 6-15
horn 6-3
horn bracket 6-3
hour meter 6-47
housing
 2-pin 6-5
 3-pin 6-5
 differential 8-3
hub, disk brake front 5-17
hydraulic brake adjuster 10-7
hydraulic shoe 4-3
hydrometer 10-7

I

idler gear, differential 8-3
indicator, battery condition 6-17
input shaft 8-3
instrument panel 6-15, 6-17
intermediate shaft 8-3
internal retaining ring pliers 10-7
IQ display module (IQDM) 10-7

J

joint
 ball 5-9
 left-hand thread ball 5-7, 5-9

K

key
 On/Off 6-15, 6-17
key switch cap 6-15, 6-17
key switch, On/Off 6-15, 6-17
kick plate, body 1-21
kingpin 5-13
Kit
 Exterior Mirror 1-19
 Interior Mirror 1-19
 Seat Belt 1-19
 Stop Light, Center High Mount 1-19

wiper 1-19
kit
 2-pin housing 6-5
 3-pin housing 6-5
 accelerator pivot rod 4-5
 axle adjuster 4-3
 axle hardware 4-3
 brake pedal adjustment tool 10-3
 cab 1-19
 cab doors 1-19
 cab fuse block 1-19
 cab rear windshield 1-19
 hydraulic shoe 4-3
 IQ display module (IQDM) 10-7
 license plate 1-15
 shock absorber cushion 5-15
 taillight hardware 6-13
 tune-up 10-9
kit, taillight mounting 1-25

L

lamp, license plate 1-17
latch plate, tilt bed 1-9
latch weld 1-7
latch, bed 1-25
latch, door 1-23
latch, slam 1-29
latch, spring 1-29
leaf spring 5-13, 5-15
lens, taillight 6-13
lever
 park brake 4-11, 4-13
license plate 1-15
license plate holder 1-17
license plate kit, front 1-15
license plate lamp 1-17
light
 battery 6-15, 6-17
limit switch 6-11
limiter
 current 9-7
link, rack and pinion drag 5-7
liquid gasket 8-3, 10-7
lubricant, dry moly 10-7
lubricant, moly-teflon 10-7
lug nut 2-3
lug stud 5-17, 8-3

M

master cylinder 4-7, 4-9
master cylinder boot 4-7, 4-9
mat, floor 1-3
MCOR 4-15, 6-5
meter, hour 6-47
meter, volt ohm 10-11

Mirror, Exterior 1-19
Mirror, Interior 1-19
module
 calibration test 10-3
 communication display 10-5
moly-teflon lubricant 10-7
motor, AC electric 7-3
mounting block, brake 4-15

N

name plate 3-13, 3-15
nut, lug 2-3

O

onboard battery charger 9-5, 9-9
onboard computer 6-33

P

pad
 accelerator pedal 4-5
 brake pedal 4-15
paint, touch-up 10-7
pan, seat 1-21
panel
 left 1-29
 right 1-29
panel box 1-25
panel, front 1-25, 1-29
panel, instrument 6-15, 6-17
park brake 4-3
park brake cable, center 4-11
park brake lever 4-11, 4-13
pedal, accelerator 4-5
pedal, brake 4-15
pencil grip 5-3
pinion, steering 5-7
piston ring compressor 10-9
piston ring pliers 10-9
pivot support bearing 4-5
plate
 backing 4-3
 bed floor 1-23
 front spring retainer 5-13
 hinge 1-21
 latch 1-9
 license 1-15
 name 3-13, 3-15
 receptacle backing 6-7, 9-11, 9-13
 score card 5-3, 5-5
 spring mounting 5-13
 steering wheel 5-5
plate, Tow/Run switch 6-21
pliers
 internal retaining ring 10-7
 piston ring 10-9

INDEX

retaining ring 10-9
plug
 driven clutch puller 10-5
 hole 6-15
port, diagnostic 6-15, 6-17
press weldment 10-5
pressure switch 4-7, 4-9
prop rod 1-11, 1-31
protector spray, battery terminal 10-3
puller
 bearing 10-3
 clutch 10-3
 drive clutch 10-5
 drive clutch hub 10-5
 driven clutch cam 10-5
 flywheel 10-7
 seal 10-9
 special use tool 10-9
pulley
 mount 4-11, 4-13

R

race, front hub bearing 5-17
rack and pinion drag link 5-7
rack guide pressure spring 5-7
rack, steering 5-7
reamer, valve guide 10-9
rear fender 1-35
receptacle and fuse 6-7
receptacle backing plate 6-7, 9-11, 9-13
receptacle, AC cord 9-7
receptacle, battery charger 6-7
rectifier with heatsink 9-3, 9-5, 9-7, 9-9
reel bracket 9-13
reel cord 9-11, 9-13
reflector 3-5, 3-9
relay mounting bracket 9-5, 9-9
relay, 48-volt 9-3, 9-5, 9-7, 9-9
remover, bearing and oil seal 10-3
retainer
 accelerator pedal spring 4-5
 headlight 6-31
 shock absorber cushion 5-15
retaining ring 5-11
retaining ring pliers 10-9
return spring bumper 4-5
reverse buzzer 6-15, 6-17
ring
 retaining 5-11
 snap 5-7
ring, C-type stop 5-7
rivet, blind push 1-13, 6-33, 6-35
rocker switch 6-15, 6-17
rocker switch (lights) 6-3
rod
 accelerator pivot 4-5

clip 1-31
equalizer 4-15
prop 1-11, 1-31
push 4-7, 4-9
tie 5-9
rotor, disc 5-17
rubber bumper 1-29

S

safety first card 10-9
score card clip 5-3
score card plate 5-3
screw, eccentric adjustment 5-13
screw, valve clearance adjuster 10-9
seal
 bed 1-21
 lip 8-3
 oil 8-3
 steering pinion dust 5-7
 vertical socket dust 5-7, 5-9
seal puller 10-9
seal, bed 1-7
sealant 8-3
Seat Belt Kit 1-19
seat holder base 1-21
seat pan 1-21
seat support 1-21
seat, bearing 5-11
seat, bucket 1-21
shackle weldment 5-15
shaft
 input 8-3
 intermediate 8-3
shaft, steering 5-11
shield, boot 4-11, 4-13
shim, latch plate 1-9
shim, tilt bed pivot 1-7, 1-31
shock absorber 5-9, 5-15
shock absorber cushion 5-15
shock absorber cushion retainer 5-15
slam latch 1-29
sleeve
 delta A-plate 5-9
snap ring 5-7
socket 5-7, 5-9
solenoid 6-33, 6-35
spacer
 accelerator pivot rod 4-5
spanner wrench 10-9
speedometer 6-19
spindle 5-17
spray, battery terminal protector 10-3
spring
 accelerator return 4-5
 brake return 4-11, 4-13, 4-15
 compression 5-3

latch tilt 1-25
leaf 5-13, 5-15
rack guide pressure 5-7
shoe to shoe 4-3
 steering shaft compression 5-11
spring cup 4-5
spring latch 1-29
spring mounting plate 5-13
stake side bracket 1-23
steel bushing 1-7, 1-31, 5-13, 5-15
steering column 5-11
steering column bearing press tool 10-9
steering column installation 5-11
steering column retaining ring tool 10-9
steering gear box 5-7
steering pinion 5-7
steering pinion dust seal 5-7
steering rack 5-7
steering shaft 5-11
steering shaft compression spring 5-11
steering wheel 5-3, 5-5
steering wheel plate 5-5
steering wheel puller tool 10-9
stem, valve 2-3
Stop Light, Center High Mount 1-19
strap, A-plate 5-9
stud
 lug 5-17, 8-3
 self-clinching 1-27, 1-29
support yoke (steering) 5-7
support, seat 1-21
suppressor, voltage 6-3, 9-3, 9-5, 9-7, 9-9
switch
 four-position 9-7, 9-9
 key 6-15, 6-17
 light rocker 6-3
 limit 6-11
 pressure 4-7, 4-9
 rocker 6-15, 6-17
 Tow/Run 6-21
 turn signal 6-9
switch rubber boot 6-21

T

tachometer 10-9
tachometer probe, diesel 10-9
tail light bulb 6-13
tailgate 1-25, 1-29
tailgate angle 1-27, 1-29
taillight 6-13
taillight assembly 6-13
taillight base 6-13
taillight bezel 6-13
taillight gasket 6-13
taillight hardware kit 6-13
taillight lens 6-13

INDEX

taillight mounting kit 1-25
tailskirt 1-35
tape, vinyl foam 1-7, 1-23
terminal block 6-3, 9-11
tester, continuity 10-5
tether 1-29
thermometer, battery 10-3
thread-forming grease fitting 5-7, 5-9, 5-17
thrust bearing 5-13
tie rod 5-9
tie wrap 4-7, 4-9, 5-7, 6-3, 6-19, 6-33, 6-35, 6-47, 9-11
tilt bed 1-7
tilt bed frame 1-7
tilt latch hand grip 1-7, 1-25
tool
 accelerator pedal adjustment 10-3
 belt tensioning, starter/generator 10-11
 brake adjustment 10-3
 brake cable release 10-3
 brake pedal adjustment 10-3
 brake pedal tension 10-3
 cam installation 10-3
 carburetor float level 10-7
 charger bezel 10-3
 clutch alignment 10-5
 cT-wrench 10-5
 drive clutch fixed sheave 10-5
 drive clutch holder 10-5
 drive clutch spider removal 10-5
 driven clutch spring compression base 10-5
 driven clutch spring compression collar 10-5
 driven clutch spring compression nut 10-5
 governor shaft installation 10-7
 puller, special use 10-9
 steering column bearing press 10-9
 steering column retaining ring 10-9
 steering wheel puller 10-9
 transaxle axle seal 10-9
 transaxle pinion seal 10-9
 transmission 10-9
 valve guide driver 10-9
 valve seat cutter 10-5
tool kit, clutch 10-5
touch-up paint 10-7
Tow/Run switch 6-21
Tow/Run switch plate 6-21
track, prop rod 1-11
trailer hitch 1-33
trailer hitch brace 1-33
transaxle axle seal tool 10-9
transaxle housing 8-3
transaxle pinion seal tool 10-9
transformer, battery charger 9-3, 9-5, 9-7, 9-9

transmission tool 10-9
trim
 cowl 1-13
 long bed 1-23
tune-up kit 10-9
turn signal lens 6-31
turn signal switch 6-9
T-wrench tool 10-5

U

U-bolt 5-15
upper delta clevis 5-13
urethane bushing 1-7, 1-31, 5-9, 5-13, 5-15

V

valve clearance adjuster screw 10-9
valve guide driver tool 10-9
valve guide reamer 10-9
valve seat cutter 10-5, 10-11
valve seat cutter guide 10-11
valve seat cutter tool 10-5
valve seat t-wrench 10-11
valve spring compressor 10-11
valve stem 2-3
vertical socket dust seal 5-7, 5-9
volt ohm meter 10-11
voltage suppressor 6-3, 9-3, 9-5, 9-7, 9-9

W

wedge, bearing puller 10-3
weldment
 press 10-5
weldment, tilt bed frame 1-7
wheel 2-3
wheel cylinder 4-3
wheel, steering 5-3, 5-5
windshield kit, rear cab 1-19
Wiper Kit 1-19
wire assembly, battery charger 9-7
wire harness, headlight 6-3
wrap, tie 4-7, 4-9, 5-7, 6-3, 6-19, 6-33, 6-35, 6-47, 9-11
wrench, spanner 10-9

Y

yoke, gear 10-7
yoke, support (steering) 5-7



Club Car, Inc.
P.O. Box 204658
Augusta, GA 30917-4658
USA

Web www.clubcar.com
Phone 1.706.863.3000
1.800.ClubCar
Int'l +1 706.863.3000
Fax 1.706.863.5808